



10172

Automatic Hand Dryer

MAXBLAST

Try **Monster** - Buy **Monster** - Be **Monster**

Specification

Product Description

The MaxBlast Hand Dryer offers the highest standard in hand drying technology with an immensely powerful air output of 120 metres per second, allowing hands to be dried in 7-12 seconds! With an economical power output of 550W (when operating below 25°C) the MaxBlast Hand Dryer doesn't only save the needs for hand towels, it also saves electricity making it cheap to run.

The stylish chorew effect body gives the hand dryer a solid surround and with functions such as automatic cut off after 40 seconds you can guarantee that electricity won't be wasted.

Item Contents

MaxBlast Hand Dryer
4 x Wall Plugs, Rubber Washers, Screws
Allen Key

Technical Information

Rated Voltage:	220-240V
Power Output 25°C >:	550W
Power Output 25°C <:	1400-1650W
Air Flow Speed:	120 m/second
Temperature:	20-40°C
Noise Level:	72dB

Product Specifics

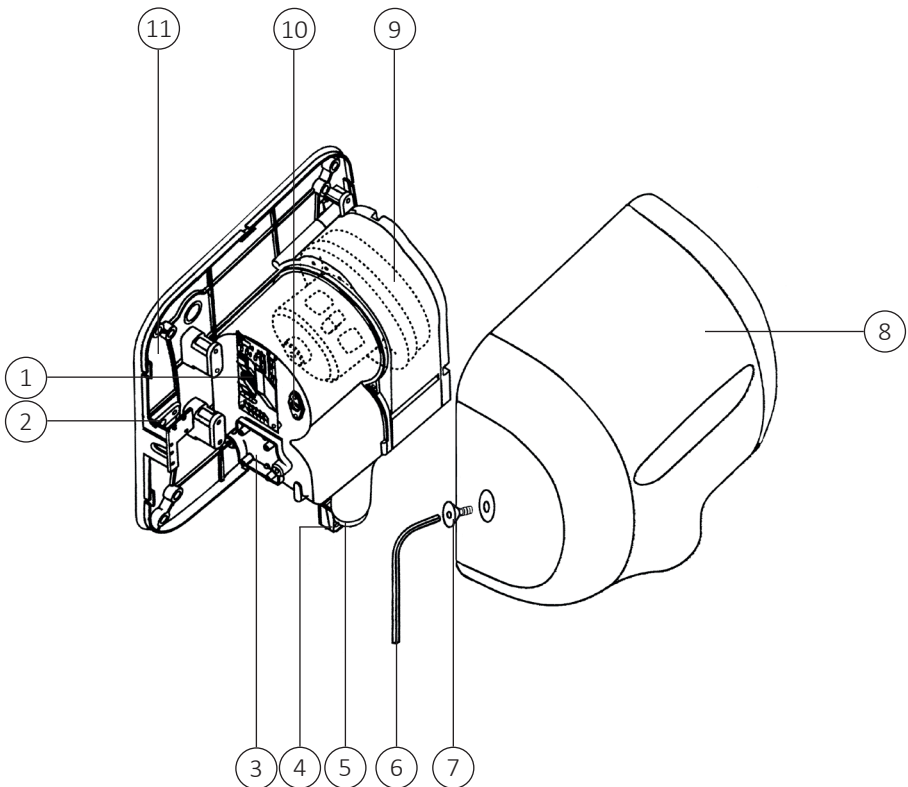
Product Dimensions:	29.5 x 21.5 x 36cm
Product Weight:	4.4KG

Specification

Product Features

Hand Dryer Components

- | | | | |
|----|------------------|-----|-------------------|
| 1. | PCB | 7. | Countersunk Screw |
| 2. | Grounding Device | 8. | Shell |
| 3. | Heater | 9. | Motor |
| 4. | Inductor | 10. | Cord Hole |
| 5. | Air Outlet | 11. | Base Plate |
| 6. | Allen Wrench | | |

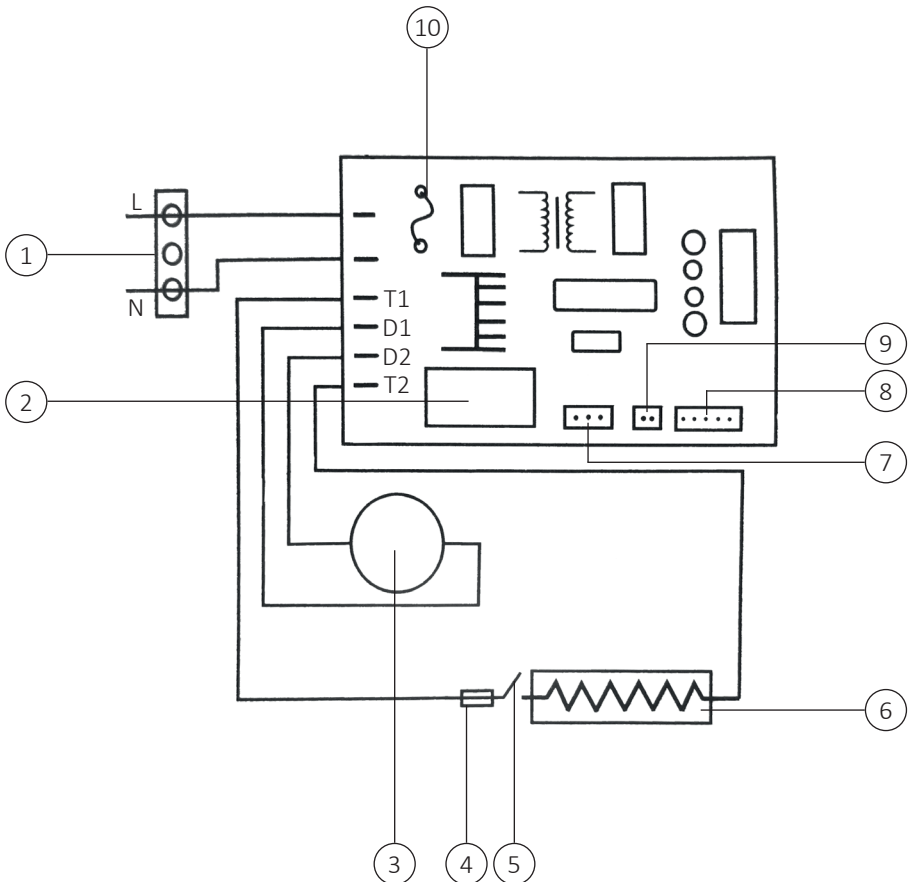


Specification

Product Features

Electrical Diagram

- | | | | |
|----|----------------------|-----|-------------------|
| 1. | Power | 6. | Heater |
| 2. | Control Relay | 7. | Indicator |
| 3. | Motor | 8. | Sensing Probe |
| 4. | Thermal Fuse | 9. | Temperature Probe |
| 5. | Temperature Switches | 10. | Fuse |



User Guide

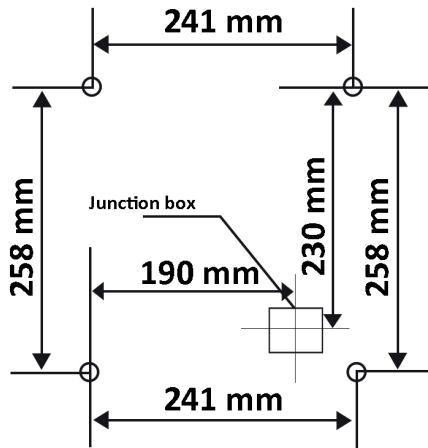
Installation Instructions

Step One:

Power Lead Connection – The Hand Dryer comes hard wired and needs to be installed by an electrician. For your safety we stress the need for a qualified electrician to install the Hand Dryer, as it needs to be wired into a fused spur.

Step Two:

Installation Location – The diagram below shows the measurements of the mounting holes and the position of the junction box cut out. Ensure that the hand dryer is installed at least 150mm away from any obstacles directly below and at least 100mm away from obstacles or walls on the left or right hand side. The hand dryer should not be installed in tight spaces or near doors.

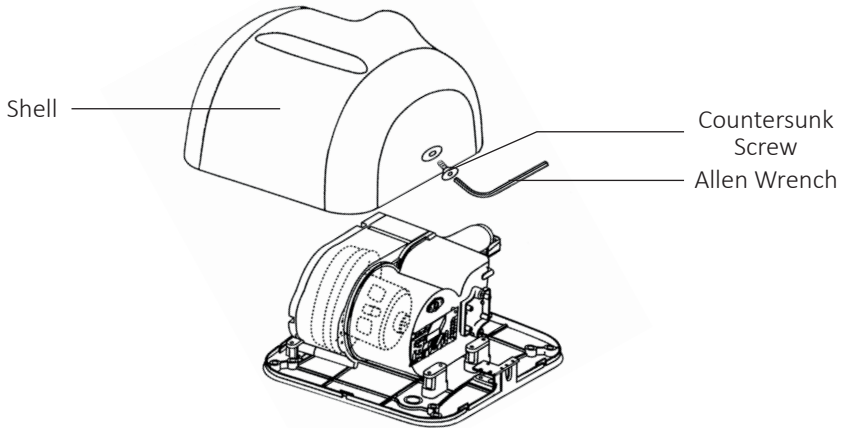


User Guide

Installation Instructions

Step Three:

Using an allen key, remove both countersunk screws from the side of the hand dryer outer shell and lift the outer shell off to expose the inside of the dryer.

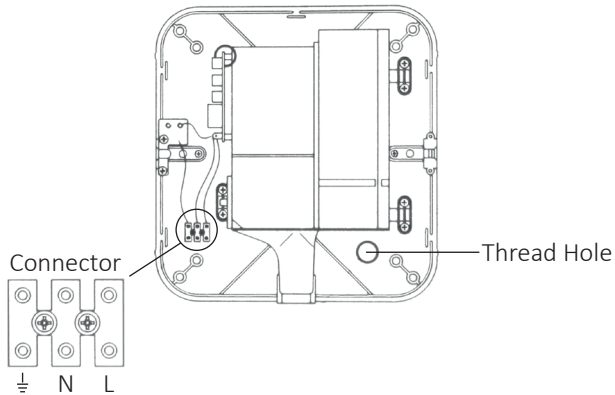


Step Four:

The Hand Dryer needs to be fixed to the wall using the wall plugs, rubber washers and screws as provided. If the power lead needs removing during installation into a double pole fused switch, this can be easily removed from the connector as shown.

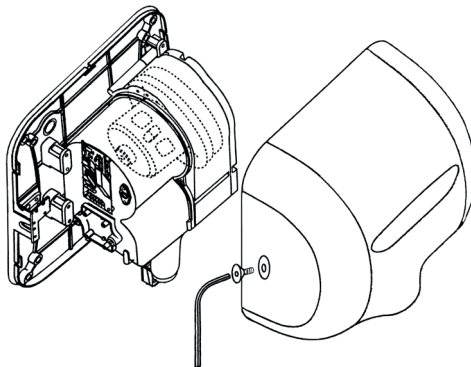
User Guide

Installation Instructions



Step Five:

Once the Hand Dryer has been installed into the mains power supply and onto the wall, the outer casing can be replaced. With the power switched off, place the casing back over the unit and tighten the countersunk screws back into place.



User Guide

Installation Checks

Once the Hand Dryer has been installed and wired into a fused spur by an electrician, please follow and complete the checks below before use.

	Check	Description	Issue/Resolution
1	Shake the unit gently.	If the unit does not move, it has been installed correctly.	If the unit can be moved, the machine will vibrate and be noisy. Re-install the unit onto the wall.
2	Check the power and voltage.	Ensure the machine is wired into the correct rated voltage.	If the machine is not wired into the correct voltage it can burn the motor out and cause injury.
3	Switch on the power.	Ensure the power is reaching the unit.	If no power is reaching the unit, check the internal connection and the double pole fuse switch.
4	Test the machine.	Ensure it has a high wind speed output.	Ensure the sensor is working accurately, Contact customer service or your electrician if it is not working correctly.

Troubleshooting

Resolution Guide

Please read through the guide below if you have any issues or faults with your device. The information covers and resolves the majority of frequently asked questions.

Q: When blowing air, it is intermittent or not working at all.

A: There is probably a faulty sensor. If under the 12 month warranty, you can send the Hand Dryer back to us for repair. Call the Customer Support Department to arrange a date for collection. Details on the 'Contact Us' page.

Q: The ambient temperature of the room is below 25°C and the Hand Dryer is blowing out cold air.

A: There is probably a faulty heater. If under the 12 month warranty, you can send the Hand Dryer back to us for repair. Call the Customer Support Department to arrange a date for collection. Details on the 'Contact Us' page.

Q: The Hand Dryer does not work at all.

A: There is an issue with the fuse in the fuse spur. Call your electrician to sort this out.

Q: The power of the air flow is reduced.

A: Underneath the Hand Dryer there are holes for and air input flow. Check these are not blocked. If they are blocked, it will reduce the power of the air flow dramatically.

Monster Guarantee

If you wish to return a product in perfect working order, we provide a 14 day returns policy as long as the item is unopened and in a resalable condition. A 12 month warranty applies to all of our electrical products; we will cover labour, parts and delivery charges. Our policy is to try and fix the item before arranging an exchange or refund. If for any reason a part is missing please get in touch with us within 7 days on receipt of your order. For full terms and conditions contact our Support Department via the details on the Contact Us page.

Safety Advice

Safe Working Practice

Please read through the safe working practice to ensure prevention of injury or damage to the device.

The machine must not be powered from a plug with a ground connection.

Do not place the wire near a heat source or any liquids. Ensure the wire is undamaged before operating.

Do not open the front panel whilst plugged in. This can cause an electric shock hazard.

Do not allow the unit to get wet as this can cause an electric shock hazard.

Do not use the dryer in a wet environment where it can come into direct contact with water or condensation (e.g. wet room, shower room). This can cause damage to the unit and present an electric shock hazard.

Do not hang from the dryer once installed. This can cause damage to the unit.

Do not modify or disassemble the unit unless suitably qualified. This can cause fire, malfunction or electric shock.

Before uninstalling or performing maintenance, ensure the unit is unplugged/removed from the mains power source.

If the tolerance is $\pm 10\%$ of the rated power supply this can cause a malfunction and present a fire hazard. Ensure that the unit correctly conforms to the rated voltage.

To clean the Hand Dryer, use a damp cloth and a neutral detergent such as stainless steel polish.

When installing into a power supply, consult a professional electrician.



Contact Us

Sales Department

For information regarding this device or other products from our Monster divisions please use the following details below.

Tel: 01347 878888

Email: hello@monstershop.co.uk

Support Department

For queries about this device, warranty, returns or reporting faults please use the following details below.

Tel: 01347 878887

Email: help@monstershop.co.uk

Website

To view our product range and fantastic offers in the Monster divisions please visit our website

www.monstershop.co.uk

Address

To visit our office Monster House and view our products, send postal correspondence or return items our address is provided below.

Monster House, Alan Farnaby Way, Sheriff Hutton
Industrial Estate, Sheriff Hutton, York YO60 6PG



Monster Group (UK) is one of the UK's fastest growing online retailers. We supply a diverse range of products which offer exceptional value for money. We strive to provide the best possible customer experience with free UK delivery across all our products and a Monster Guarantee for 100% satisfaction.

Our dedicated customer service team will be more than happy to help with any questions you may have.

Home & Garden
Storage Shelving
Sign & Digital
Retail & Hospitality
Commercial Equipment

Check out all our Monster brands at www.monstershop.co.uk
