



10476

KCH2500

KuKoo

Ceramic Hob



Try **Monster** - Buy **Monster** - Be **Monster**

Specification

Product Description

The KuKoo Ceramic Hob has 4 cooking zones and easy to use touch screen controls, making it ideal for use in a domestic kitchen.

With a smooth flat design, this appliance is simple to clean and provides a modern finish to your kitchen.

The hob works at temperature settings between 1 and 9 or the boost button can be used to power over 500°C, whilst the audible timer is adjustable up to 99 minutes.

Please read these instructions carefully before using and installing your ceramic hob.

Item Contents

KuKoo Ceramic Hob

Technical Information

Voltage: 220V/50-60Hz

Back left hob & front right hob power: 1200W

Front left hob & back right hob power: 1800W

Overall Power: 6000W

Product Specifics

Timer Settings: 1-99 minutes

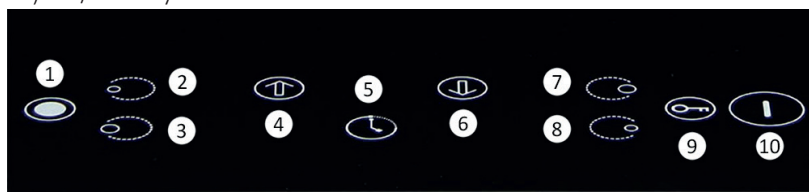
Temperature Settings: 1 (lowest)- 9 (highest)

Specification

Product Features

Product features

- 1) Boost function
- 2) Cooking zone selection key
- 3) Cooking zone selection key
- 4) UP arrow
- 5) Timer
- 6) DOWN arrow
- 7) Cooking zone selection key
- 8) Cooking zone selection key
- 9) Child safety lock
- 10) ON/OFF key

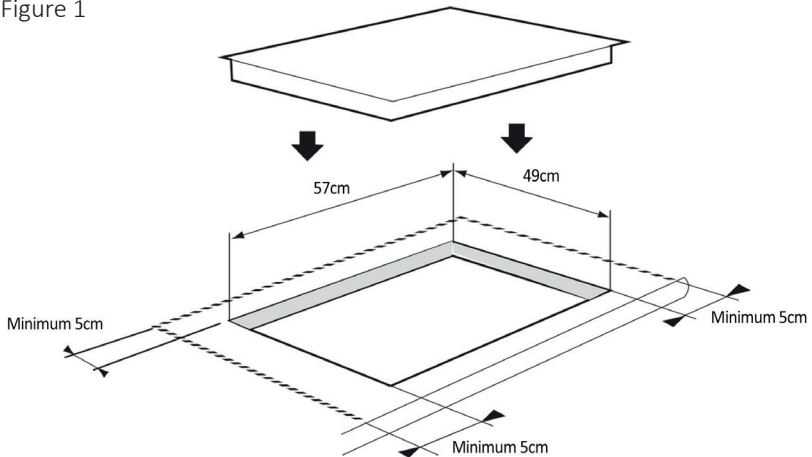


User Guide

Installation Guide

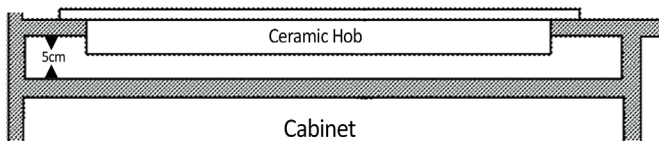
This hob should be installed by a competent person onto a heat resistant work top at least 3cm thick. Before cutting the installation hole for the hob, a minimum distance of 5cm must be left around the cut out, between the appliance and the kitchen walls and other kitchen furniture, see Figure 1.

Figure 1



When installing the hob onto a work surface with a cabinet or drawer underneath, a shelf must be installed to separate the cabinet from the hob and leave a gap of 5cm - see Figure 2.

Figure 2



User Guide

Installation Guide

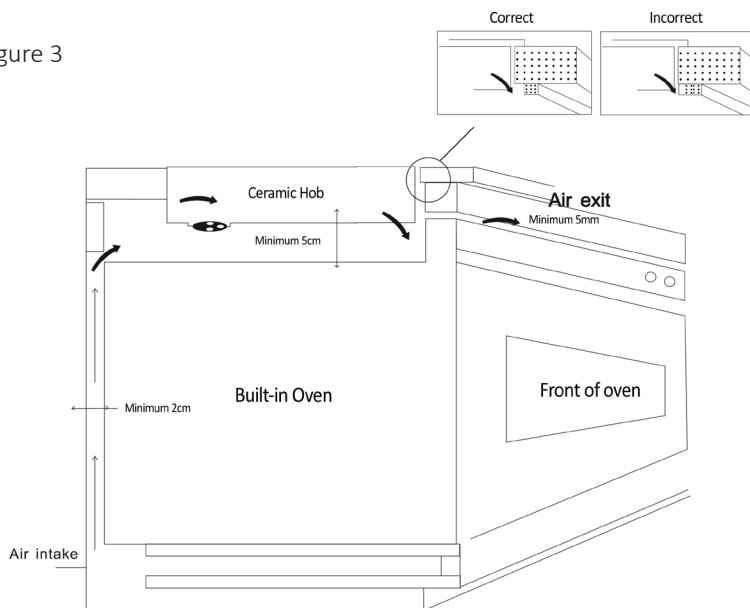
If installing the hob above a built-in oven there must be a gap left of approximately 5cm between the bottom of the hob and the top of the oven.

There must then be a gap between the back of the oven and the wall and the front of the oven and the hob to allow air to move freely around the hob, see Figure 3.

It is essential that the hob is well ventilated and the air intake and exit are not blocked.

For safety reasons, the gap between the hob and any overhead kitchen cabinets or cooker hoods should be at least 760mm.

Figure 3



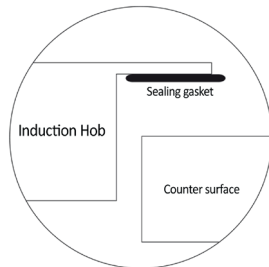
User Guide

Installation Guide

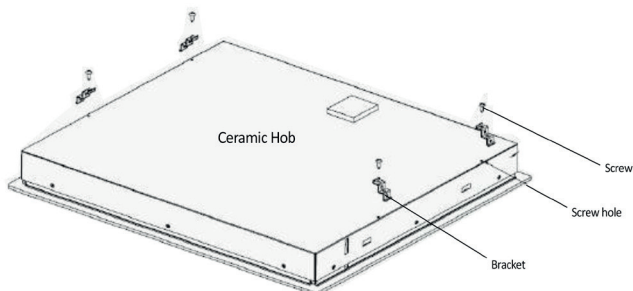
The hob will need to be fully sealed to the counter when installing, this prevents any food or spillages from getting between the ceramic surface and the counter top.

Sealing gasket should be applied all the way around the edges underneath the ceramic surface as shown below.

Not sealing your hob correctly can cause damage to the internal elements and may void your warranty.



The ceramic hob should be fixed to the worktop using the brackets provided. The position of the brackets may adjust according to the thickness of the work top. This diagram shows where the brackets and screws fix onto the base of the ceramic hob.



User Guide

Operation Instructions

Turning ON the hob

- Use the ON/OFF key to turn on the hob. When the hob is turned on all indicators will show “-”.

Note: If no other key is pressed within two minutes the ceramic hob will return to standby mode.

Turning on a cooking zone & setting the temperature level

- Ensure the hob is turned on. Touch the selection key that corresponds to the cooking zone you wish to use.

- The indicator will show “5” as the standard temperature setting, this can then be adjusted using the UP and DOWN arrow keys. “1” is the lowest temperature level and “9” is the highest.

Note: Pressing the UP and DOWN arrow keys simultaneously will set the temperature to “0”, which will turn the hob off.

Turning off a cooking zone

- Touch the selection key of the cooking zone you wish to use. Drop the temperature level to 0 by pressing the UP and DOWN arrow keys simultaneously.

- When a timer is set for a cooking zone, the zone will switch off when the timer reaches 0.

Using the timer function

This function makes the ceramic hob easier to use, the audible timer can be set up to 99 minutes and will automatically switch off the cooking zone when the time is complete.

Select the desired cooking zone by touching the corresponding selection key and set the required temperature level.

On the touch screen display press the “Timer” key and the indicator will begin to flash. Pressing the UP and DOWN arrow keys will increase/decrease the time by one minute.

User Guide

Operation Instructions

Press the “Timer” key again to confirm the time or when the timing indicator has been flashing for 5 seconds the set time will automatically be confirmed

Note: Press and hold the “Timer” key to cancel the timer and return to “0”.

To view the remaining time, select the desired cooking zone and press the “Timer” key.

Turning OFF the hob

- Use the ON/OFF key to turn off the hob. When the hob is turned off, a residual heat indicator “H” symbol may appear on the touch screen display to indicate that a cooking zone is still hot.

Note: If the power supply to the hob is cut off, the residual heat indicator will not show and does not warn the user against a hot cooking area.

Child safety lock

To ensure this hob is used safely it is fitted with a locking device, this is perfect to lock the touch screen display around young children or when cleaning.

To lock: press the “Lock” key for 2 seconds, the display will show “LO” and the rest of the keys will be disabled.

To unlock: press the “Lock” key for 5 seconds and the hob will return to normal working order.

Power boost function

For that extra boost of heat you can press the Boost key to raise temperatures past level 9’s possible maximum of 520°C.

Select the relevant cooking zone and press the Boost key, the display will show “P”. The boost will only last for around 5 minutes as using high temperatures for prolonged periods can cause the appliance to overheat.

Note: power boost can only be applied to the 2 larger cooking zones.

User Guide

Operation Instructions

Auto power off

This occurs when you forget to turn off one of the cooking hobs or when a pan is removed from the hob. The induction hob will automatically power off after 2 hours on any of the temperature levels.

A sensor also monitors the temperature of the cooking area, when the temperature exceeds a safe level the cooking zone is automatically switched off.

Display Messages

Please read through the guide below to correctly identify messages or symbols shown on the digital display screen.

Display message	Description
0	Temperature settings- selected hob is turned off
1-9	Temperature settings- change using the arrow keys
0	Timer is off
1-99	Minutes
LO	Safety lock enabled
P	Power boost function- the boost key will increase the temperatures to a possible maximum of 520-570°C.
H	Residual heat warning- when a cooking zone is turned off the indicator will display this warning until the hob cools down

Any other messages displayed are likely to be error messages and there may be a problem with your hob. Turn to the Troubleshooting page to identify the message displayed.

Troubleshooting

Error Messages

If any abnormality occurs, the ceramic hob will automatically go into a secure mode and display one of the following messages. Contact our Customer Support department via the details on the Contact page.

Display message	Description
E2	The temperature sensor has shorted or is broken
E3	The input voltage is too high (260 to 275V) - check the voltage of the power supply corresponds with the voltage of the hob.
E4	The input voltage is too low (145 to 160V) - check the voltage of the power supply corresponds with the voltage of the hob.
E5	The PCB (printed circuit board) has over heated

Monster Guarantee

If you wish to return a product in perfect working order, we provide a 14 day returns policy as long as the item is unopened and in a resalable condition. A 12 month warranty applies to all of our electrical products, we will cover labour, parts and delivery charges. Our policy is to try and fix the item before arranging an exchange or refund. For full terms and conditions contact our Support department via the details on the Contact page.

Troubleshooting

Resolution Guide

Please read through the guide below if you have any issues or faults with your appliance. The information covers and resolves the majority of frequently asked questions.

What type of pans can be used with the ceramic hob?

Most stainless steel, enamel, iron, ceramic and copper pans can be used on the KuKoo ceramic hob. Aluminium pans are not recommended as they can stain the surface unless they have a stainless steel base. Never use tin foil or plastic containers with the ceramic hob as they may melt and fuse permanently to the glass surface.

The hob fails to turn on when pressing the ON/OFF button

If the hob fails to work after prolonged use, it may be that the hobs internal temperature is too high. Allow the hob time to cool before attempting to turn on again. If there is still issues when the hob is cool, check the power supply to the hob.

The selected cooking zone suddenly turns off during operation.

If the timer has been set, it will automatically turn off the cooking zone when the timer is complete. Select a new temperature setting and time or finish cooking. The hob is also fitted with a safety cut off feature which protects from overheating and will allow your hob time to cool down. Additionally, when the hob has been in use for a long time, especially at high temperatures, it will automatically power off.

The pan does not heat up fully when the hob is turned on.

This may happen if the pan is too large for the hob or if it is not centred on the hob. Adjust the position of the pan, if the problem persists contact our Customer Support department via the details on the Contact Page.

Safety Advice

Safe Working Practice

Please read through the safe working practice to ensure prevention of injury or damage to the appliance.

This appliance should be installed indoors by a qualified electrician or competent person, never try to install this appliance yourself.

Remove all adhesive film and polystyrene packaging before installing.

Do not install this hob above refrigerators, freezers, dishwashers or tumble dryers.

Follow the installation instructions and provide sufficient air circulation around the hob when you install it, leaving space between the walls and other appliances.

Do not use the machine if the adaptor wire is frayed or damaged.

Cleaning the hob regularly will increase the longevity of the appliance.

Do not use chemical cleaners or immerse the hob in water, this will cause damage or electric shock. Wipe the ceramic top of the hob with a damp cloth, then wipe dry with a dry cloth.

This ceramic hob requires a controlled temperature in order to function reliably, do not operate the hob in areas of humidity or high temperature as it may not function correctly.

During operation cookware can get hot, please use heat protective gloves to prevent injury.

Never use aluminium foil for cooking with a ceramic hob.

Always open sealed containers such as cans, before heating them as they may explode and cause damage.

This appliance will get very hot during operation, do not touch the surface until it is turned off and has completely cooled.

If the surface of the hob is cracked, switch off the appliance to avoid any possibility of electric shocks.

Cookware handles should be positioned away from the hob so that they do not extend over adjacent hobs.

Do not store flammable liquids or materials beneath the hob.

Turn off the hob when cooking is complete. Keep children away from the appliance and never allow them to operate it unsupervised.

This appliance requires specialist waste disposal. Refer to your local waste collection centre to learn how to dispose of this product correctly.

Contact Us

Sales Department

For information regarding this device or other products from our Monster divisions please use the following details below.

Tel: 01347 878888

Email: hello@monstershop.co.uk

Support Department

For queries about this device, warranty, returns or reporting faults please use the following details below.

Tel: 01347 878887

Email: help@monstershop.co.uk

Website

To view our product range and fantastic offers in the Monster Chef division please visit our website

www.monstershop.co.uk

Address

To visit our office Monster House and view our products, send postal correspondence or return items our address is provided below.

Monster House, Alan Farnaby Way, Sheriff Hutton
Industrial Estate, Sheriff Hutton, York YO60 6PG



Monster Group (UK) is one of the UK's fastest growing online retailers. We supply a diverse range of products which offer exceptional value for money. We strive to provide the best possible customer experience with free UK delivery across all our products and a Monster Guarantee for 100% satisfaction.

Our dedicated customer service team will be more than happy to help with any questions you may have.

Home & Garden
Storage Shelving
Sign & Digital
Retail & Hospitality
Commercial Equipment

Check out all our Monster brands at www.monstershop.co.uk
