

23977/23978

23980/23979

23981/23982

23984/23983

# 2, 3, 4 & 6 Door Lockers



Try **Monster** - Buy **Monster** - Be **Monster**

# Specification

## Product Description

The 2, 3, 4 & 6 Door Lockers are the perfect solution for increasing security and storage in your work place, school or gym.

Each locker is made from strong steel and powder coated with a grey body and blue or red doors. Each locker has a cam lock mechanism with 2 keys for each door - giving you a helpful spare.

All of these lockers are flat packed and can be easily and quickly assembled. Make sure you grab a friend or co-worker when assembling this product.

## Product Specifics

Dimensions: 45cm D x 38cm W x 180cm H

Weight: 21kg

## Monster Guarantee

If you wish to return a product in perfect working order, we provide a 30 day returns policy as long as the item is unopened and in a resalable condition.

If for any reason a part is missing please get in touch with us within 7 days on receipt of your order. You can contact our friendly and helpful Customer Support Team via email or call. For full terms and conditions contact our Support Department via the details on the Contact Us page.

# Specification

## Item Contents

2 Door:

- 1 x Left side panel
- 1 x Right side panel
- 1 x Rear panel
- 1 x Front frame
- 1 x Top panel
- 1 x Bottom panel
- 2 x Shelf
- 1 x Middle shelf
- 2 x Door
- 2 x Rail

3 Door:

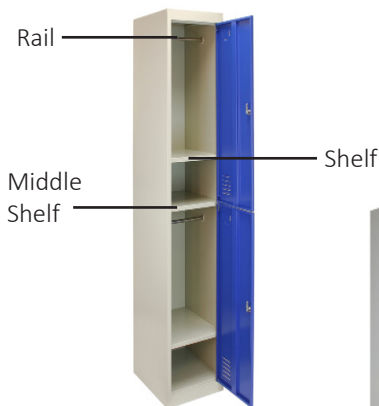
- 1 x Left side panel
- 1 x Right side panel
- 1 x Rear panel
- 1 x Front frame
- 1 x Top panel
- 1 x Bottom panel
- 3 x Shelf
- 2 x Middle shelf
- 3 x Door

4 Door:

- 1 x Left side panel
- 1 x Right side panel
- 1 x Rear panel
- 1 x Front frame
- 1 x Top Panel
- 1 x Bottom panel
- 3 x Middle shelf
- 4 x Door

6 Door:

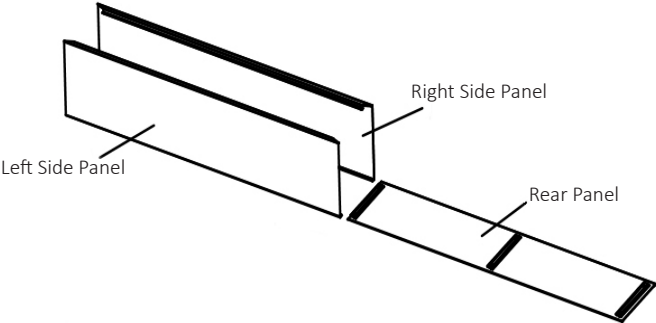
- 1 x Left side panel
- 1 x Right side panel
- 1 x Rear panel
- 1 x Front frame
- 1 x Top panel
- 1 x Bottom panel
- 5 x Middle shelf
- 6 x Door



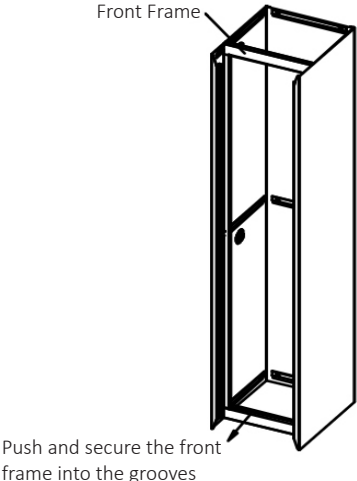
# User Guide

## Assembly Instructions

1. Slide the rear panel between the left and right side panels.



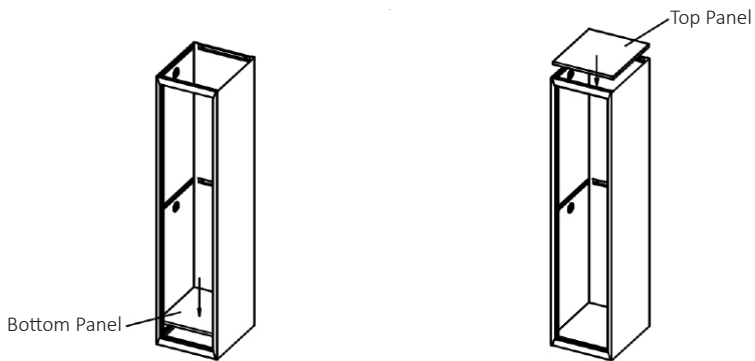
2. Place the front frame within the locker structure and push it forward into the grooves on the left and right side panels.



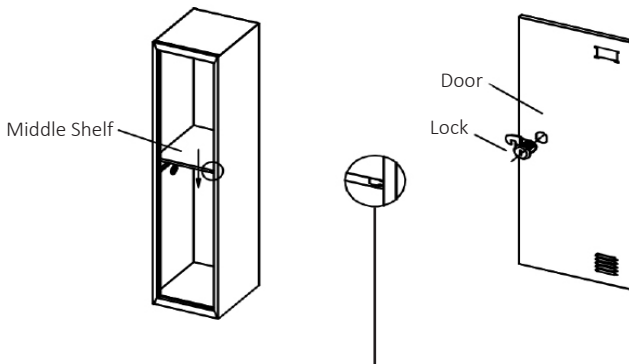
# User Guide

## Assembly Instructions

- Secure the top and bottom panels.



- Secure the middle shelf/shelves.
- Add on the doors.



Connect the locker door to the small tab attached to the middle shelf. The door uses a spring loaded hinge pin.

- Check everything is secure.

# Troubleshooting

## Resolution Guide

Please read through the guide below if you have any issues or faults with your device. The information covers and resolves the majority of frequently asked questions.

Q: There are parts missing from my order.

A: If there appears to be any part missing from your package contact our Customer Support team via the details on the Contact Us page within 7 days of receipt.

For all other issues please contact our Customer Support department via the details on the Contact page.

# Safety Advice

## Safe Working Practice

Please read through the safe working practice to ensure prevention of injury or damage to the device.

Be careful as some items may be heavy.

Ensure there are two people to assemble this locker.



# Contact Us

## Sales Department

For information regarding this device or other products from our Monster divisions please use the following details below.

Tel: 01347 878888

Email: [hello@monstershop.co.uk](mailto:hello@monstershop.co.uk)

## Support Department

For queries about this device, warranty, returns or reporting faults please use the following details below.

Tel: 01347 878887

Email: [help@monstershop.co.uk](mailto:help@monstershop.co.uk)

## Website

To view our product range and fantastic offers in the Monster divisions please visit our website

[www.monstershop.co.uk](http://www.monstershop.co.uk)

## Address

To visit our office Monster House and view our products, send postal correspondence or return items our address is provided below.

Monster House, Alan Farnaby Way, Sheriff Hutton  
Industrial Estate, Sheriff Hutton, York YO60 6PG



---

Monster Group (UK) is one of the UK's fastest growing online retailers. We supply a diverse range of products which offer exceptional value for money. We strive to provide the best possible customer experience with free UK delivery across all our products and a Monster Guarantee for 100% satisfaction.

Our dedicated customer service team will be more than happy to help with any questions you may have.

Home & Garden  
Storage Shelving  
Sign & Digital  
Retail & Hospitality  
Commercial Equipment

**Check out all our Monster brands at [www.monstershop.co.uk](http://www.monstershop.co.uk)**

---