



# 2014 Vinyl Jukebox



Try **Monster** - Buy **Monster** - Be **Monster**

# Specification

## Product Description

We all need our favourite tunes to get a party started, well why not play them in retro style with this amazing Jukebox? It may look like a 1950's classic, but it has been adapted with 21st century technology.

You can play music from you CD's, USB, through the AUX, the radio, Bluetooth and even via Vinyl! This is a true crowd pleaser and unbelievably versatile.

The music controls and functions mean you can playback songs at your chosen levels, perfect to suit a subdued event or absolute rave! You can even add to the atmosphere with static or changing lights. Time to get rock n' rolling!

## Technical Information

Power Output:	40 + 40 Watts
Power Consumption:	100 Watts
Voltage:	220-240V 50Hz
Lighting:	7 LED Colour Changing Bulbs

## Product Specifics

Dimensions:	128cm H x 69cm W x 38cm D
Weight:	31.5Kg

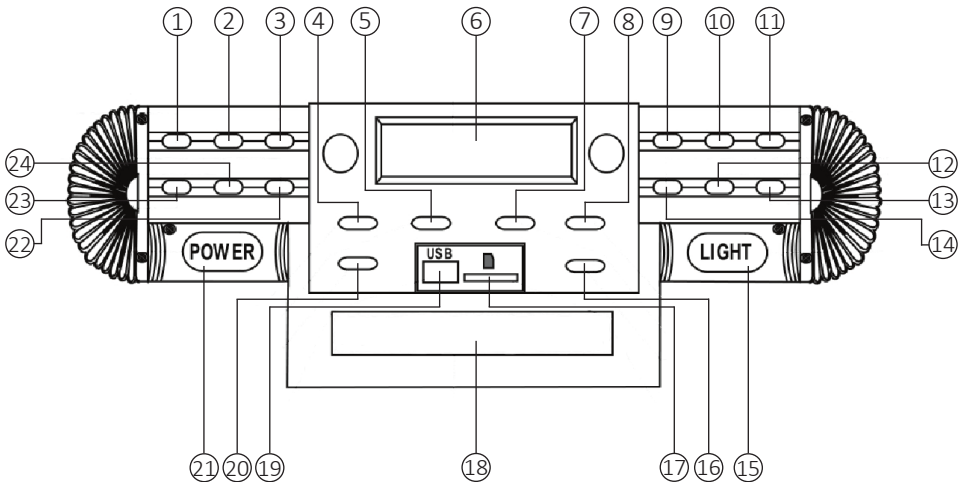
## Monster Guarantee

If you wish to return a product in perfect working order, we provide a 14 day returns policy as long as the item is unopened and in a resalable condition. A 12 month warranty applies to all of our electrical products; we will cover labour, parts and delivery charges. Our policy is to try and fix the item before arranging an exchange or refund. If for any reason a part is missing please get in touch with us within 7 days on receipt of your order. For full terms and conditions contact our Support Department via the details on the Contact Us page.

# Specification

## Product Features

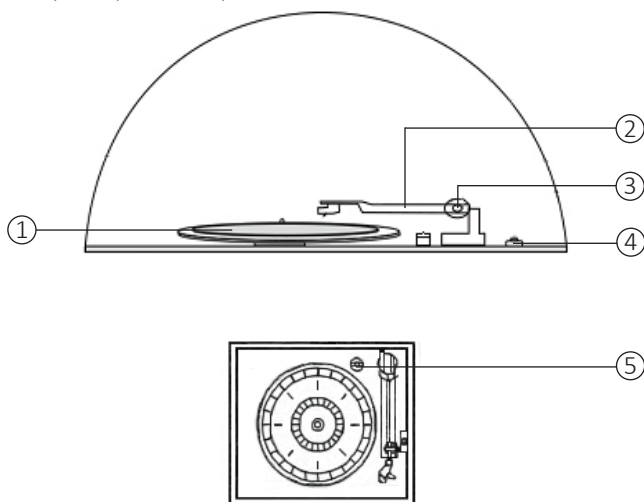
- |                                 |                                     |
|---------------------------------|-------------------------------------|
| 1) Play/Pause                   | 13) Playback Previous Radio Station |
| 2) Next                         | 14) Forward (-10)                   |
| 3) Volume +                     | 15) Light                           |
| 4) On/Off                       | 16) CD Open/Close                   |
| 5) Equaliser                    | 17) SD Card Input                   |
| 6) LCD Display Screen           | 18) CD Player                       |
| 7) Repeat                       | 19) USB Input                       |
| 8) Programme                    | 20) Mode                            |
| 9) Forward (+10)                | 21) Power                           |
| 10) Stereo/Mono                 | 22) Volume -                        |
| 11) Playback Next Radio Station | 23) Stop                            |
| 12) Auto                        | 24) Back                            |



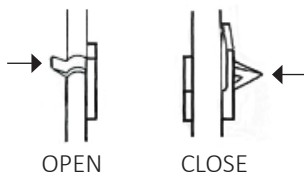
# Specification

## Product Features

- 1) Vinyl Record
- 2) Needle
- 3) Tone Arm
- 4) Playback Speed (33/45/78)



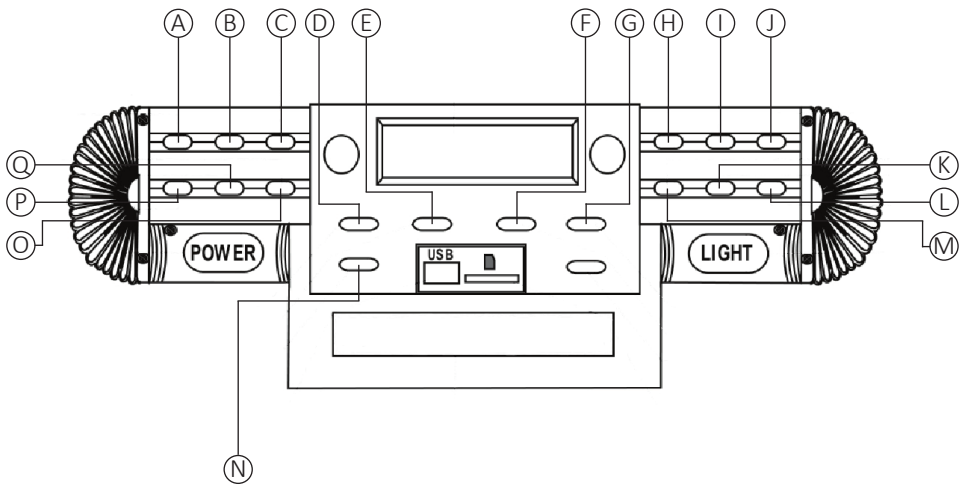
5) Screw to protect the vinyl record station during transportation. Turn the screw clockwise with a coin to its lowest position before you use the record player for the first time.



Remove the lock before releasing the tone arm.

# User Guide

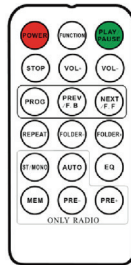
## Function Guide



- A) **PLAY/PAUSE:** Play or pause a track.
- B) **NEXT:** Go to the next track.
- C) **VOL+:** Press repeatedly or press and hold to increase volume.
- D) **ON/OFF:** Turn ON/OFF standby mode.
- E) **EQ (Equaliser):** Change the equaliser setting. The preloaded ones are Flat (FLR), Rock (ROC), Pop (POP), Jazz (JAZ), and Classical (CLA).
- F) **REP (Repeat):** Replays one particular song. Press the button once to repeat ONE song. Press the button twice to repeat ALL the songs. Press the button three times to enter repeated RANDOM play.
- G) **PRG (Program):** Allows you to program only particular songs of your choice to playback from your music source.
- H) **F+10:** Go forward by 10 tracks.
- I) **ST/MONO (Stereo/Mono):** Stereo/Mono selection in radio.
- J) **PR+:** Playback a next stored radio station.
- K) **AUTO:** Press to auto-search in the radio mode and to save stations.
- L) **PR-:** Playback previous stored radio station.
- M) **F-10:** Go back to 10 tracks previous.
- N) **MODE:** Change playback mode between CD, USB, SD, radio or vinyl.
- O) **VOL-:** Press repeatedly or press and hold to decrease volume.
- P) **STOP:** Stop a track.
- Q) **BACK:** Play the previous track.

# User Guide

## Function Guide



### Remote Control Functions

**POWER:** Exit standby mode and enter AM/FM Radio Mode.

**FUNCTION:** Changes the mode of playback – FM Tuner, CD, USB, SD, Bluetooth and Vinyl.

**PLAY/PAUSE:** Play or pause a track.

**STOP:** Stop a track.

**VOL+:** Press repeatedly or press and hold to increase volume.

**VOL-:** Press repeatedly or press and hold to decrease volume.

**PROG (Program):** Allows you to program only particular songs of your choice to playback from your music source.

**PREV/F.B (Previous/Fast Back):** Go to the previous track or press and hold to rewind. You can then press the play button to start playback.

**NEXT/F.F (Next/Fast Forward):** Go to the next track or press and hold to fast forward. You can then press the play button to start playback.

**REPEAT:** Replays one particular song. Press the button once to repeat ONE song. Press the button twice to repeat ALL the songs. Press the button three times to enter repeated RANDOM play.

**FOLDER-:** Press to skip to the first track in the previous folder. If the Jukebox is in random ('RAN') mode the folder skipping function will be disabled.

**FOLDER+:** Press to skip to the first track in the next folder. If the Jukebox is in random ('RAN') mode the folder skipping function will be disabled.

**ST/MONO (Stereo/Mono):** Stereo/Mono selection in radio (where available).

**AUTO:** Press to auto-search in the radio mode and to save stations.

**EQ (Equaliser):** Change the equaliser setting. The preloaded ones on the Jukebox are Flat (FLR), Rock (ROC), Pop (POP), Jazz (JAZ), and Classical (CLA).

**MEM (Memory):** Tune the radio to the desired station. The Jukebox has a 20 station storage memory.

**PRE-:** Playback previous stored radio station.

**PRE+:** Playback a next stored radio station.

# User Guide

## Operation Instructions

### Setting the Time

- 1) When the Jukebox enters standby mode the LCD display panel will illuminate and the time '00:00' will appear on the LCD display panel. The time is in 24 Hour formatting.
- 2) To set the time, simply press the PROG button on the control panel or remote control and hold this button down for 3-5 seconds, until '24-H' is displayed on the screen. Once '24-H' is displayed on the screen press the PROG button again.
- 3) The display will revert to '00:00' on the display, however, with the '00' flashing. Use the NEXT and/or BACK buttons on the control panel or the PREV/F.B and/or NEXT/F.F buttons on the remote control, to select the correct hour. Press the PROG button to confirm. The second '00' will now be flashing.
- 4) Repeat this same process to set the minutes on the clock.

**Please Note:** The time will only be saved in the Jukebox when it is powered ON. If you wish to save the set time into your Jukebox, do not press the POWER button to turn the unit OFF. Simply press the ON/OFF button to set the Jukebox to standby. If the POWER button is used to turn the Jukebox OFF, it will erase the time setting and the above process will need to be repeated in order to reset the correct time the next time it is powered ON.

### Vinyl Record

- 1) Press the 'MODE' button until LCD display shows 'PH'.
- 2) Put the vinyl record into the player.
- 3) Select the player speed (33/45/78) by moving the needle.
- 4) The music should start to play.

**Please Note:** The tone-arm will automatically move and return to its docking area after reaching the end of the record.

# User Guide

## Operation Instructions

### **CD Playback**

- 1) Place a CD on to the disc tray.
- 2) Take care not to touch the CD laser and ensure that the CD label is facing upwards.
- 3) Press 'MODE' button until the LCD display indicate shows '----'. Shortly, the display will show number of songs and then begin to start playback.
- 4) Press 'Next/Prev' to select your desire song.
- 5) Press 'RPT' once to repeat one song, the REP indication at the top left corner on the LCD display will flash. Press 'RPT' one more time to repeat all songs in the track and the REP indication at the top left corner on the led display will appear. Press 'RPT' again to cancel repeat function.
- 6) To play songs randomly, press 'RPT' button until the LCD display shows 'RAN' on the bottom of the display.
- 7) For programming, press the 'STOP' button to stop playback. Press 'PROG' to enter programming mode. The led display will flash and indicate 'P01', select the song that you want to program and then press 'PROG' again. Press 'Play/Pause' to stop programming and start to playback for the programmed songs. This unit can program up to 20 songs.



# User Guide

## Operation Instructions

### Using the Radio

The Jukebox features an inbuilt FM Tuner with an auto-search function. It has a 20 station programmable memory.

1) When using for the first time, press the POWER button and the Jukebox will switch to standby mode. Press the ON/OFF button on the control panel or the POWER button on the remote control to turn the Jukebox ON. The Jukebox should start in FM radio mode and the LCD display will show FM 87.5MHz. At this point the speakers will emit a fuzzy sound unless the frequency 87.5MHz contains a radio station in your area. If it does not automatically start in FM radio mode, press the MODE button on the Jukebox or the FUNCTION button on the remote control until FM radio mode is entered.

### To Automatically Search and Add 20 Radio Stations:

- 1) Hang the antenna at the back of the Jukebox up.
- 2) Press the 'AUTO' button. This will automatically search for the stations.
- 3) Once the search is complete, you will hear the first station it has found. The Jukebox will automatically save up to 20 stations it has found. Depending on your local area, there may be less than 20 radio stations saved.
- 4) Press the 'PR+' and 'PR-' buttons to change through the stations found.

### To Manually Search For and Add 20 Radio Stations:

- 1) Hang the antenna at the back of the Jukebox up.
- 2) When in Radio Mode, press the 'NEXT' button until you find a radio station you wish to save. Once found, press 'MEM'. On pressing 'MEM', the LCD display will show 'P01'. Press 'MEM' again to save the station. For example, when you search and find FM89.8, to save this frequency press the 'MEM' button. The LCD screen will show 'P01' and 'MEM' – they will flash. Press the 'MEM' button again at the frequency FM89.8 will save at P01.
- 3) To choose the order of the stations, for example if you want FM89.8 to save at P02, press the 'MEM' button, followed by 'PR+'. The LCD display will show 'P02' and 'MEM'. Press the 'MEM' button again to save on P02. Repeat this process using the 'PR+' and 'PR-' to choose the order for other stations.

# User Guide

## Operation Instructions

### **Bluetooth Pairing**

- 1) Press the 'MODE' button until the LCD display shows 'bL'. The Jukebox should be discoverable after 3 seconds.
- 2) Turn ON the Bluetooth device and let it automatically search for the available Bluetooth devices.
- 3) From the Bluetooth device list, select the device named 'jukebox'.
- 4) Once the pairing is completed, the Bluetooth will indicate 'connected'.
- 5) Once pairing is completed, the song from the Bluetooth device will automatically start to play.

### **Bluetooth Playback**

The Bluetooth playback can be controlled via your Bluetooth device, the Jukebox or the remote control.

- 1) To control the playback from the Jukebox/remote control:  
Press "VOL+/-" to control the sound level.  
Press "Next/Prev" to select next and previous song respectively.  
Press "PLAY/PAUSE" to pause or continue playback.
- 2) To end the pairing, press the 'MODE' button to another function or turn OFF the Bluetooth connection from the Bluetooth device.

### **AUX Cable**

- 1) Ensure the AUX IN switch at the back of the juke box is in the ON position.
- 2) Ensure the function dial is turned to AUX in position.
- 3) Plug the AUX in lead at the back of the juke box into your iPhone/iPod or other MP3 device. The AUX lead needs to be plugged into the earphone socket of your iPhone/iPod or other MP3 device.
- 4) Ensure line out switch at the back of the juke box is in the off position when using AUX in.
- 5) Ensure the speaker switch is switched to on if none are connected.
- 6) Press play! If you cannot hear anything, turn up the volume on the Jukebox or remote control.

# User Guide

## Operation Instructions

### USB/SD

- 1) Ensure the Jukebox is turned off before inserting the USB device or SD card. Ensure the music files are saved in FAT32 format.
- 2) Press 'Mode' button until the LCD display shows 'USB----'. The display will then show the folder number and the number of songs and start playback.
- 3) Press 'Next/Prev' or 'F+/-10' to select your desire song.
- 4) Press 'RPT' once to repeat one song, the REP indication at the top left corner on the LCD display will flash. Press 'RPT' again to repeat all songs in the folders. The REP indication at the top left corner on the LCD display will appear. Press 'RPT' a third time to cancel repeat function.
- 5) To play songs randomly, press the 'RPT' button until the 'RAN' shows on the led display at the bottom of the display.
- 6) For programming, press the 'STOP' button to stop playback. Press 'PROG' to enter programming mode. The LED display will flash and indicate 'P01'. Select the song that you want to program and then press 'PROG' again. Press 'Play/Pause' to stop programming and start the playback of the programmed songs. This unit can program up to 20 songs.

### Turning on the Lighting Effects

The Jukebox features colour changing LED light tubes on the body as well as several other multicoloured LED lighting effects that are featured in the CD player and USB/SD compartment and at the bottom of the speaker panel.

- 1) To turn on the LED lighting effects simply press the LIGHT button. All the LED lighting effects will illuminate.

**Please Note:** The lighting effects operate independently of the POWER button. The LIGHT button controls power to the lighting effects and the POWER button controls power to the audio functions and display of the Jukebox.

- 2) On the rear of the Jukebox, there is an 'LED Light Mode' switch which has 2 settings; 'PLAY' and 'HOLD'. When switched to 'PLAY' mode, the colour changing LED light tubes will fade in and out of several different colours continuously. When set to 'HOLD' mode the LED Light Tubes will be illuminated in only one colour.
- 3) To turn OFF the lighting effects all together simply press the 'LIGHT' button once again, and all lighting effects will no longer be illuminated.

# Troubleshooting

## Resolution Guide

Please read through the guide below if you have any issues or faults with your device.

**Q: There is no sound output.**

A: Check the power cord is connected firmly. After setting to the correct play back functions and pressing play on a track, turn the volume dial clockwise. If there is still no sound, press the re-set button, switch the AUX IN jack to 'OFF' and remove the RCA cord. Switch the external speaker 'ON', located on the back cover.

**Q: There is a severe humming noise coming from the Jukebox.**

A: Ensure the Jukebox is not located next to a television or separate sound system.

**Q: I cannot get any radio reception.**

A: Ensure the mode selector has been set to the correct position. Switch the AUX IN jack to 'OFF'. Adjust the volume; rotate the tuning dial to find a radio station.

**Q: I cannot get my CD to play back and the sound skips.**

A: Check the power cord plug is connected firmly, and press the power button. Make sure the disc is clean and facing the correct way up (label up). Ensure the mode selector has been set to the correct position. Switch the AUX IN jack to 'OFF'. Adjust the volume.

If it still will not play, simply call or email our Support Team. They will guide you through issues or arrange a date and time for us to collect the product and fix it with our one year guarantee.

**Q: There are parts missing from my order.**

A: If there appears to be any part missing from your package contact our Customer Support team via the details on the Contact Us page.

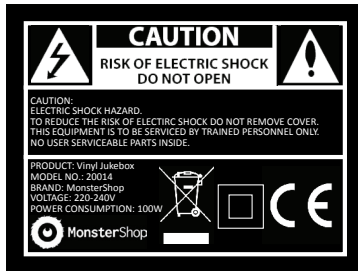
**Q: I cannot get the music to play from my memory stick/SD card.**

A: Ensure it is inserted properly into the machine. Change the mode to CD/USB/SD. Ensure the music file format is in FAT32.

# Safety Advice

## Safe Working Practice

Please read through the safe working practice to ensure prevention of injury or damage to the device.



Do not operate the device in areas of high temperature or humidity as the machine may not function correctly.

Do not remove the back panel due to risk of electric shock.

Indoor use only.

Do not use the machine if the adaptor wire is frayed or damaged.

When the device is not in use ensure that the power plug is removed from the socket. This will prevent damage to the appliance through power surges.

This appliance can be dangerous if the power cord or wires come into contact with water it can potentially cause fatal shocks.

Only use appropriate music sources.

Keep in a well ventilated area.

Only allow a technician to repair.



# Contact Us

## Sales Department

For information regarding this device or other products from our Monster divisions please use the following details below.

Tel: 01347 878888

Email: [hello@monstershop.co.uk](mailto:hello@monstershop.co.uk)

## Support Department

If this item arrives damaged, with missing pieces or you have not opened the racking and want to return it please use the following details below.

Tel: 01347 878887

Email: [help@monstershop.co.uk](mailto:help@monstershop.co.uk)

## Website

To view our product range and fantastic offers in the Monster Racking division please visit our website.

[www.monstershop.co.uk](http://www.monstershop.co.uk)

## Address

To visit our office Monster House and view our products, send postal correspondence or return items our address is provided below.

Monster House, Alan Farnaby Way, Sheriff Hutton  
Industrial Estate, Sheriff Hutton, York YO60 6PG



---

Monster Group (UK) is one of the UK's fastest growing online retailers. We supply a diverse range of products which offer exceptional value for money. We strive to provide the best possible customer experience with free UK delivery across all our products and a Monster Guarantee for 100% satisfaction.

Our dedicated customer service team will be more than happy to help with any questions you may have.

Home & Garden  
Storage Shelving  
Sign & Digital  
Retail & Hospitality  
Commercial Equipment

**Check out all our Monster brands at [www.monstershop.co.uk](http://www.monstershop.co.uk)**

---