



20205

# Drywall Cart



Try **Monster** - Buy **Monster** - Be **Monster**

# Specification

## Product Description

The Drywall Cart brought to you by Monster Racking is a trolley designed to transport plasterboard.

The heavy duty steel frame means the cart can hold up to a massive 1000kg. The smooth castor wheels and slim design will help to move drywall or other sheeted materials such as plywood in and out of tight spots.

Not to mention – it is so easy to assemble, meaning you can get on with the build without delay.

## Item Contents

Dolly Platform	1
A SET- Long Hex Bolt	4
B SET – Short Hex Bolt	16
Swivel Caster	2
Outer Frame Tube	1
Fixed Caster	2
Handle	1
Support Pipe	1

## Product Specifics

Dimensions: 1190 x 590 x 1110mm

Weight Capacity: 1000kg

## Monster Guarantee

If you wish to return a product in perfect working order, we provide a 14 day returns policy as long as the item is unopened and in a resalable condition. A 12 month warranty applies to all of our electrical products, we will cover labour, parts and delivery charges. Our policy is to try and fix the item before arranging an exchange or refund. For full terms and conditions contact our Support department via the details on the Contact page.

# Specification

## Product Features

- 1) Adjustable Handle
- 2) Frame Support
- 3) Drywall Platform
- 4) Wheels



# User Guide

## Assembly Instructions

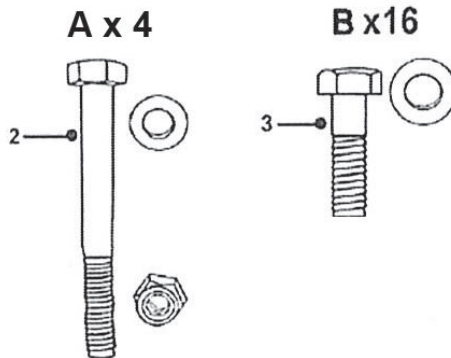
Please follow these simple instructions to assemble your Drywall Cart before use.

Step One:

Familiarise yourself with the item contents:

1)	Dolly Platform	1
2)	A SET- Long Hex Bolt	4
3)	B SET – Short Hex Bolt	16
4)	Swivel Caster	2
5)	Outer Frame Tube	1
6)	Fixed Caster	2
7)	Handle	1
8)	Support Pipe	1

The different parts have been numbered for your reference.

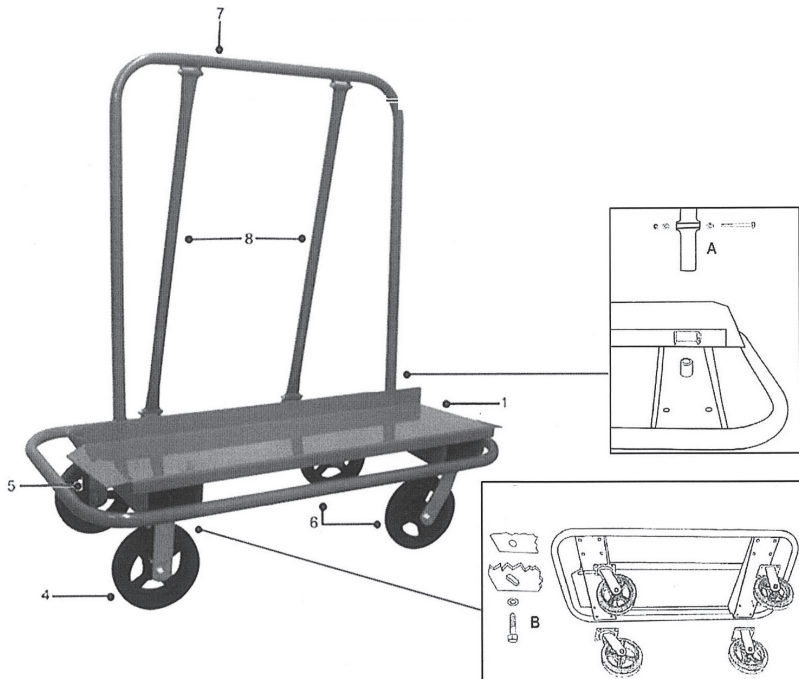


# User Guide

## Assembly Instructions

Step Two:

Using the below diagram, assemble the different parts, securing with the bolts.



Step Three:

Your trolley should now be assembled and ready to use.

# Troubleshooting

## Resolution Guide

Please read through the guide below if you have any issues or faults with your device. The information covers and resolves the majority of frequently asked questions.

**Q:** There are parts missing from my order.

**A:** If there appears to be any part missing from your package contact our Customer Support team via the details on the Contact Us page within 7 days of receipt.

**Q:** Does the trolley have brakes?

**A:** No the platform trolley does not have brakes, You will have to stop it moving yourself and leave on a flat ground to prevent from moving.

# Safety Advice

## Safe Working Practice

Take care when transporting.

Keep the trolley clean to prolong working life.

Do not use corrosive cleaning equipment when cleaning your trolley as this may erode the paint.

Do not load over the stated weight capacity.

Ensure items are secure on the trolley before moving.



# Contact Us

## Sales Department

For information regarding this device or other products from our Monster divisions please use the following details below.

Tel: 01347 878888

Email: [hello@monstershop.co.uk](mailto:hello@monstershop.co.uk)

## Support Department

For queries about this device, warranty, returns or reporting faults please use the following details below.

Tel: 01347 878887

Email: [help@monstershop.co.uk](mailto:help@monstershop.co.uk)

## Website

To view our product range and fantastic offers in the Monster divisions please visit our website

[www.monstershop.co.uk](http://www.monstershop.co.uk)

## Address

To visit our office Monster House and view our products, send postal correspondence or return items our address is provided below.

Monster House, Alan Farnaby Way, Sheriff Hutton  
Industrial Estate, Sheriff Hutton, York YO60 6PG



---

Monster Group (UK) is one of the UK's fastest growing online retailers. We supply a diverse range of products which offer exceptional value for money. We strive to provide the best possible customer experience with free UK delivery across all our products and a Monster Guarantee for 100% satisfaction.

Our dedicated customer service team will be more than happy to help with any questions you may have.

Home & Garden  
Storage Shelving  
Sign & Digital  
Retail & Hospitality  
Commercial Equipment

**Check out all our Monster brands at [www.monstershop.co.uk](http://www.monstershop.co.uk)**

---