



20250

# Bead Roller

**T-MECH**

Try **Monster** - Buy **Monster** - Be **Monster**

# Specification

## Product Description

This versatile machine with interchangeable rolls is a combination of quality construction and fantastic features to ensure fast, precise performance.

The machine is made from strong steel whilst the gears are machine-cut and enclosed in the body of the machine. The rolls are mounted in dry-type replaceable bearings.

The Roll Die (Part #1) installed on the front of this machine is assembled/disassembled with a special screw driver.

Whilst the set screws are loosened for either moving the Plate Width Stop (Part #6) or the Stop Gauge (Part #5) to the proper position to suit each size of the workpiece.

The Operating Handle (Part #8) is utilised to roll the roll die, while the Roll Die Control (Part #3) and Die Centre Control (Part #7) are designed to adjust the depth from the upper shaft.

In order to maintain a more accurate job, the Die Centre Control (Part #7) is set to adjust the close fit of the upper and lower shafts.

Rollers can be interchanged very easily. The roller retaining nut is recessed into the face of each roller. A special key is supplied for unlocking the retaining nut.

We at Monster Group UK understand this is a new and exciting purchase, and although it is tempting to get stuck in please carefully read these instructions before you start using the machine.

**Please refer to and read Safety Advice, Safe Working Practice to ensure prevention of injury or damage to the device before starting.**

# Specification

## Product Specifics

Capacity: 0.8mm / 22 GA  
Throat depth: 177mm / 7"  
Weight: 24KG

## Monster Guarantee

If you wish to return a product in perfect working order, we provide a 30 day returns policy as long as the item is unopened and in a resalable condition.

A 12 month warranty applies to all of our electrical products; we will cover the cost of labour and parts. Our policy is to try and repair the item before arranging an exchange or refund.

If for any reason a part is missing please get in touch with us within 7 days on receipt of your order. You can contact our friendly and helpful Customer Support Team via email or call. For full terms and conditions contact our Support Department via the details on the Contact Us page.

# Safety Advice

## Safe Working Practice

Please read through the safe working practice to ensure prevention of injury or damage to the device.

Do not operate the device in areas of high temperature or humidity as the machine may not function correctly.

This product should only be used by a competent person who has read and understood this manual.

Do not modify this product in any way. Unauthorised modification may impair the function and/or safety and could decrease the life of the product.

If damaged, do not use.

Ensure the equipment is assembled securely before use.

Keep the working area clear from obstructions.

Wear appropriate clothing during use.

Do not exceed the capacities.

Do not use the product for applications other than which it was intended. General cleaning and maintenance is required to prolong the working life of the product.

Do not use the tool where there is a risk of causing a fire or an explosion; e.g., in the presence of flammable liquids, gases, or dust. The tool can create sparks, which may ignite dust or fumes.

Do not allow the tool to come into contact with an electrical source. Contact will cause a shock.

Keep children and bystanders away from the work area while operating the tool. Do not allow children to handle the tool.



# Safety Advice

## Safe Working Practice

Do not use the tool while you are tired or under the influence of drugs, alcohol, or medication.

Do not wear loose clothing, dangling objects, or jewellery. Keep your hair, clothing and gloves away from moving parts. Loose clothes, jewellery, or long hair can be caught in moving parts.

Personal Protective Equipment (PPE) must be worn by the operator of this equipment.

Store the tool when it is not in use. Store it in a dry, secure place out of the reach of children. Inspect the tool for good working condition prior to storage and before re-use.

Use only accessories that are recommended by the manufacturer for use with your tool. Accessories that may be suitable for one tool may create a risk of injury when used with another.

Use on a sturdy and level work surface.

When mounting this product to a work surface, check that all mounting hardware are secure before commencing operation.

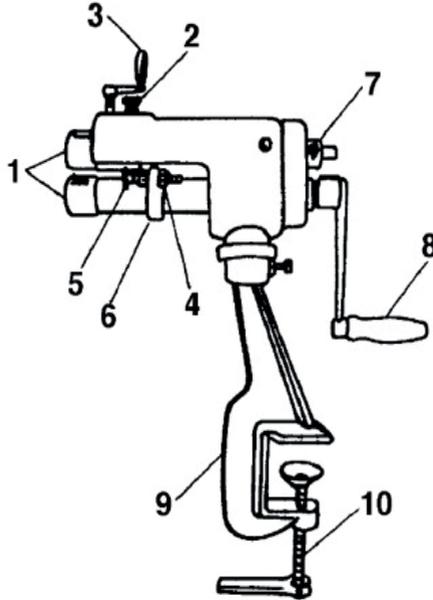
All screws must be tightened before operating.



# Specification

## Product Features

- 1) Roll Die
- 2) Spring & Shaft Adjusting Bolt
- 3) Roll Die Control
- 4) Adjusting Screw
- 5) Stop Gauge
- 6) Plate Width Stop
- 7) Die Centre Control
- 8) Operating Handle
- 9) Base
- 10) Clip Bolt



# Specification

## Product Features

- A) Wiring Die
- B) Large Turning Die
- C) Ogee Die
- D) Turning Die
- E) Burring Die
- F) Crimping Die



# User Guide

## Before Each Use

Periodically check the machine for wear or damaged parts and that it is debris-free to perform its function. Check that the rollers, especially the gears and crank handle, are not worn or damaged.

Check the condition of the roller and that it's free of scraps or other debris and clean enough for operation.

Carefully move the machine to a well-lit area on a solid, level work bench, and secure to the bench with lag screws or bolts (not included). All screws must be tightened before operating.

## Operating Instructions

- 1) Select the Roll Die needed for use (Part #1) and use the included screw driver to attach it to the Bead Roller.
- 2) Lower the upper shaft with the Roll Die Control (Part #3). Then turn the Die Centre Control (Part #7) according to the thickness of the workpiece to allow an accurate fit with the Roll Die.
- 3) Adjust the Plate Width Stop (Part #6) or the Stop Gauge (Part #5) to fit the size of the workpiece.
- 4) After all the above is done the Roll Die Control must be turned to allow the upper and lower Roll Die to slightly press on the metal sheet. While slowly turning the Operating Handle (Part #8), rotate the Roll Die Control further to obtain the required shape.
- 5) This machine allows for extremely fine horizontal adjustment of the upper shaft to fit various rollers, including the double operations where precision is essential- use the Roll Die Control on the top of the machine to vertically adjust the upper shaft.

# User Guide

## After Each Use

Clear away any scraps or debris to setup for the next operation.

The machine must be lubricated after operation with a few drops of oil.

Every thirty days of operation grease the gears.

Lightly oil the rolls when not in use to prevent rust.

## Maintenance

It is recommended that the general condition of any tool be examined before it is used.

Keep your tool in good repair by adopting a program of conscientious repair and maintenance in accordance with the recommended procedures found in this manual.

Keep the handles dry, clean, and free from oil and grease.

All exposed iron surfaces should be coated with light oil to prevent rusting.

Grease the gears monthly with a multi-purpose or bearing grease.

# Contact Us

## Sales Department

For information regarding this device or other products from our Monster divisions please use the following details below.

Tel: 01347 878888

Email: [hello@monstershop.co.uk](mailto:hello@monstershop.co.uk)

## Support Department

For queries about this device, warranty, returns or reporting faults please use the following details below.

Tel: 01347 878887

Email: [help@monstershop.co.uk](mailto:help@monstershop.co.uk)

## Website

To view our product range and fantastic offers in the Monster Chef division please visit our website

[www.monstershop.co.uk](http://www.monstershop.co.uk)

## Address

To visit our office Monster House and view our products, send postal correspondence or return items our address is provided below.

Monster House, Alan Farnaby Way, Sheriff Hutton  
Industrial Estate, Sheriff Hutton, York YO60 6PG



---

Monster Group (UK) is one of the UK's fastest growing online retailers. We supply a diverse range of products which offer exceptional value for money. We strive to provide the best possible customer experience with free UK delivery across all our products and a Monster Guarantee for 100% satisfaction.

Our dedicated customer service team will be more than happy to help with any questions you may have.

Home & Garden  
Storage Shelving  
Sign & Digital  
Retail & Hospitality  
Commercial Equipment

**Check out all our Monster brands at [www.monstershop.co.uk](http://www.monstershop.co.uk)**

---