



20251

Throatless Shear



Try **Monster** - Buy **Monster** - Be **Monster**

Specification

Product Description

This handy Throatless Shear brought to you from T-Mech is the perfect tool for achieving straight, curved or irregular cuts on your work piece. The throatless shear includes 2 blades which will help you effortlessly cut through sheet metal - up to 1.5mm in diameter.

Product Specifics

Dimensions: 70cm H x 21cm W
Blade Length: 10cm
Handle Length: 46cm
Capacity: 1.5mm

Safe Working Practice

Please read through the safe working practice to ensure prevention of injury or damage to the device.

Do not operate the device in areas of high temperature or humidity as the machine may not function correctly.

If damaged, do not use.

Ensure the Throatless Shear is assembled securely before use.

Keep the working area clear from obstructions.

Wear appropriate clothing during use.

Be aware of your surroundings.

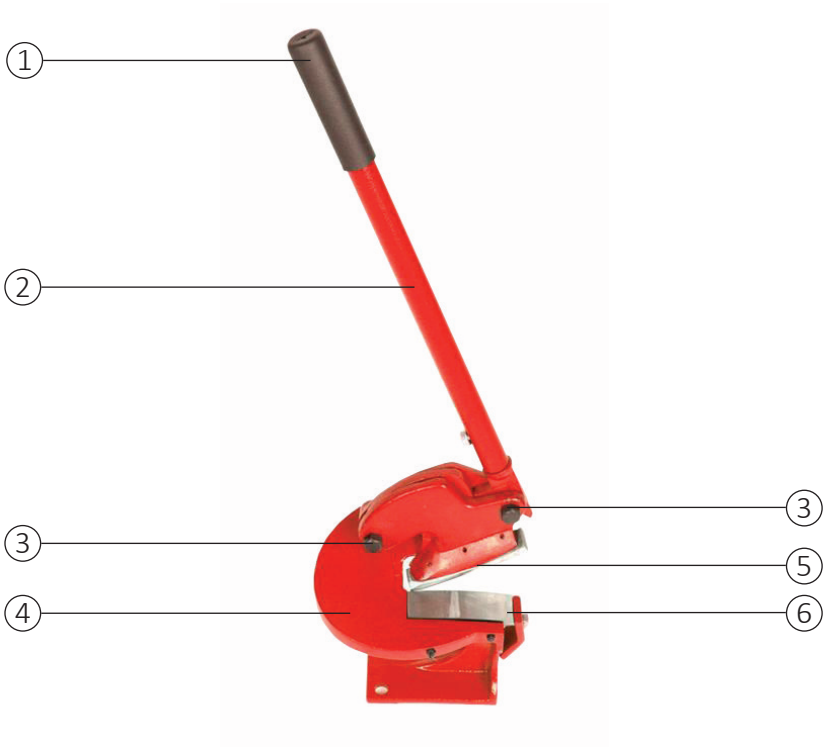
Do not exceed the capacities.

General cleaning and maintenance is required to prolong the working life of the product.

Specification

Product Features

- 1) Handle
- 2) Geared Handle
- 3) Tightening Bolts
- 4) Base
- 5) Top Blade
- 6) Bottom Blade



User Guide

Assembly Instructions

If any parts are missing or broken, please contact the Support Team - details on the Contact Us Page.

Minor assembly of the Throatless Shear is required. Assemble the Handle over the exposed shaft of the Geared Handle and tighten the Bolt.

Operation Instructions

1. Adjust the clearance between the Upper Blade and Lower Blade. To decrease the clearance, turn the Adjusting Bolts clockwise. To increase clearance, turn the bolts counter-clockwise. The clearance can be adjusted to between 1/4 and 1/10 of the thickness of the workpiece.
2. To gain power and control of the workpiece, start all cuts at the heel of the blades. Circular and irregular cuts are made by turning the workpiece while following through with the downward stroke of the blade.
3. When a cut has been finished, push the workpiece forward while raising the handle to lift the blade above the workpiece. Start the next cut at the heel of the blade.
4. Always keep the material being cut flat on the bed of the shear.

Monster Guarantee

If you wish to return a product in perfect working order, we provide a 30 day returns policy as long as the item is unopened and in a resalable condition. A 12 month warranty applies to all of our electrical products, we will cover labour, parts and delivery charges. Our policy is to try and fix the item before arranging an exchange or refund. For full terms and conditions contact our Support department via the details on the Contact page.

Contact Us

Sales Department

For information regarding this device or other products from our Monster divisions please use the following details below.

Tel: 01347 878888

Email: hello@monstershop.co.uk

Support Department

For queries about this device, warranty, returns or reporting faults please use the following details below.

Tel: 01347 878887

Email: help@monstershop.co.uk

Website

To view our product range and fantastic offers in the Monster divisions please visit our website

www.monstershop.co.uk

Address

To visit our office Monster House and view our products, send postal correspondence or return items our address is provided below.

Monster House, Alan Farnaby Way, Sheriff Hutton
Industrial Estate, Sheriff Hutton, York YO60 6PG



Monster Group (UK) is one of the UK's fastest growing online retailers. We supply a diverse range of products which offer exceptional value for money. We strive to provide the best possible customer experience with free UK delivery across all our products and a Monster Guarantee for 100% satisfaction.

Our dedicated customer service team will be more than happy to help with any questions you may have.

Home & Garden
Storage Shelving
Sign & Digital
Retail & Hospitality
Commercial Equipment

Check out all our Monster brands at www.monstershop.co.uk
