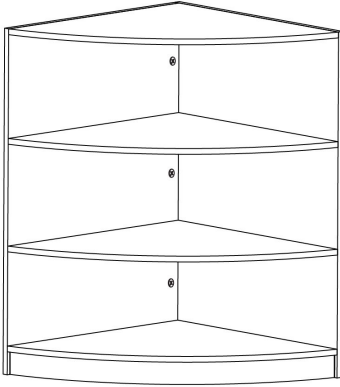


A StepAlong by Monstershop



## LM60 Shop Counter

204100, 204101, 214589

### Unit Overview

This corner till unit is a versatile and stylish solution for maximising display and storage space in your retail environment. It can be effortlessly combined with any of the range of shop counters to form a larger 'L'-shaped configuration, or it can stand proudly on its own as an attractive and functional feature. With four display surfaces—three open shelves and the top section—you'll have plenty of space to showcase products to maximum effect.

The unit's sleek, curved frontage and wood-effect laminate finish lend it a modern yet professional look that enhances the overall aesthetic of your shop. Whether you're using it to display products or placing it near your point of sale for easy access to essentials like plastic bags, till rolls, or even a well-stocked coffee supply, this corner unit combines style and practicality perfectly. Available in black, white, and maple, it's designed to complement any retail setup.

### Dimensions

#### LM60 Dimensions:

- **Product Height:** 0.9m
- **Product Depth:** 0.6m
- **Product Width:** 0.6m
- **Internal Shelf Heights:** 24.5cm



### Safety Advice

- Make sure the unit is positioned on a flat, stable surface to prevent wobbling or tipping.
- If placing the unit on uneven flooring, use appropriate levelling methods to secure the unit.
- Do not exceed the specified weight limits for the shelves and surfaces to avoid damage to the unit or risk of injury.
- Ensure products are evenly distributed across shelves to prevent tipping or overloading.
- Ensure that children do not climb or play on the unit to prevent accidents or injury.
- Regularly inspect for any wear, such as loose screws or weak joints, and tighten or repair as necessary.
- Be cautious when handling items on glass shelves. Do not overload the shelves beyond their stated capacity, as this could lead to cracking or shattering.
- There may be debris and/or sawdust in the pre-drilled holes. Remove this before commencing with assembly. Use gloves to remove it.

### Parts

1 - Side Panel

1 Piece(s)



2 - Side Panel

1 Piece(s)



3 - Shelves

3 Piece(s)



4 - Bottom Shelf

1 Piece(s)



5 - Kick Plate

1 Piece(s)



A - Connector Screw

19 Piece(s)



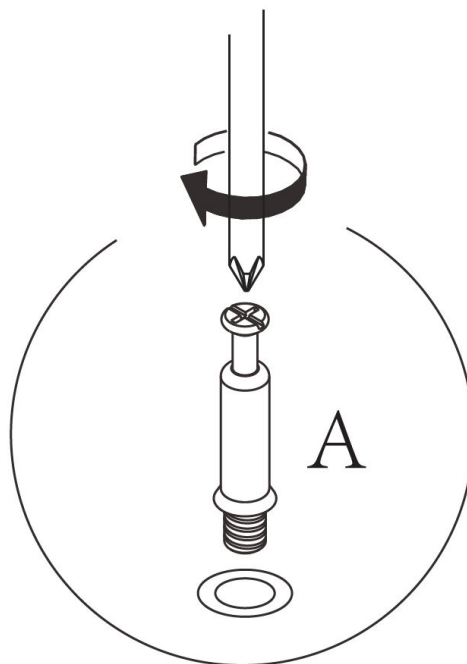
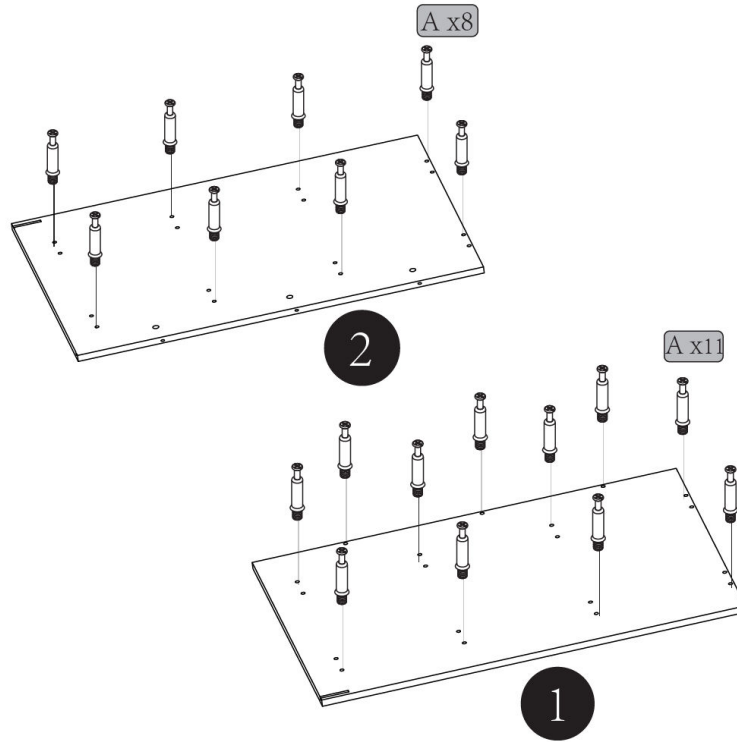
B - Cam Lock

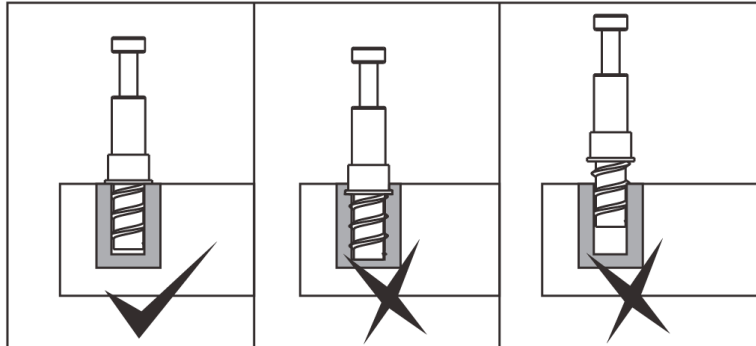
19 Piece(s)



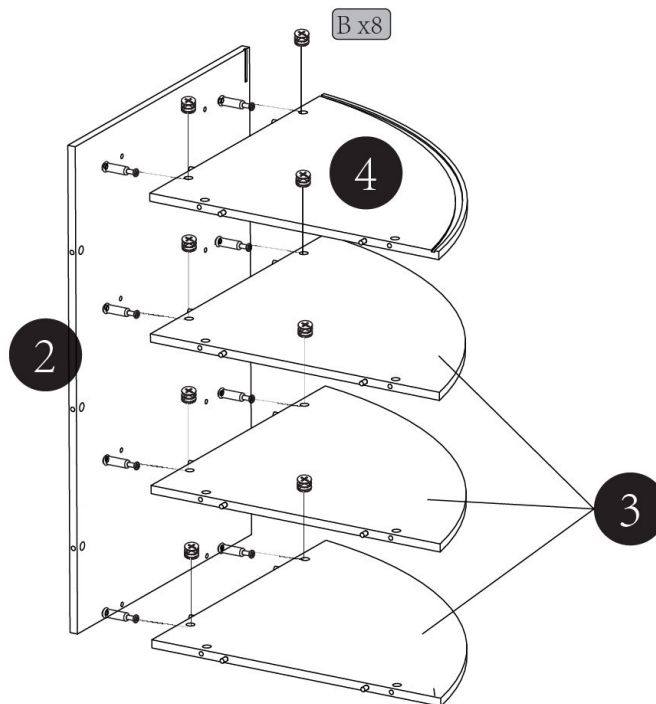
# Steps (7)

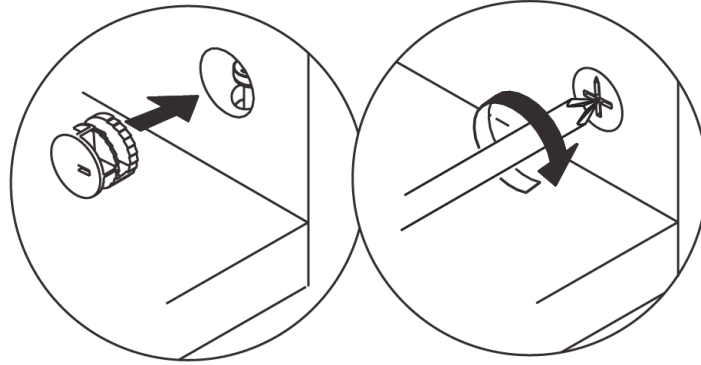
1.



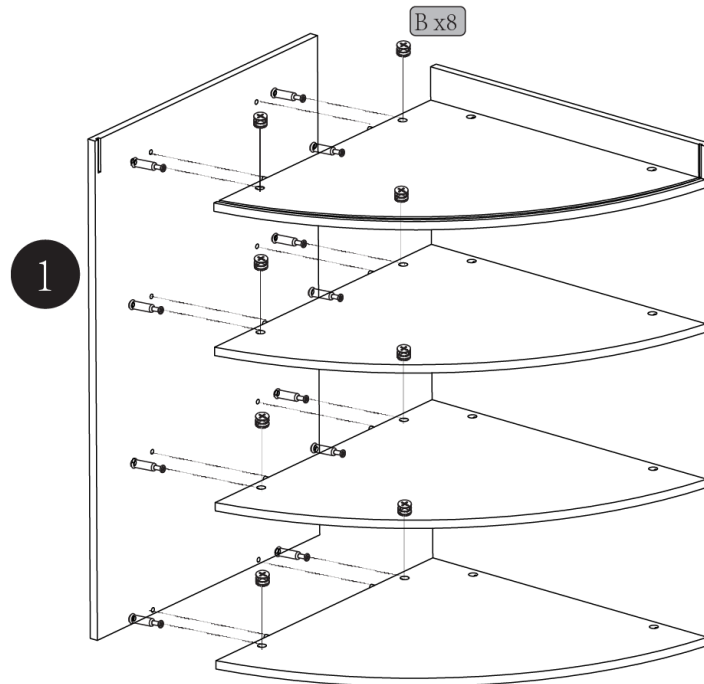


2.

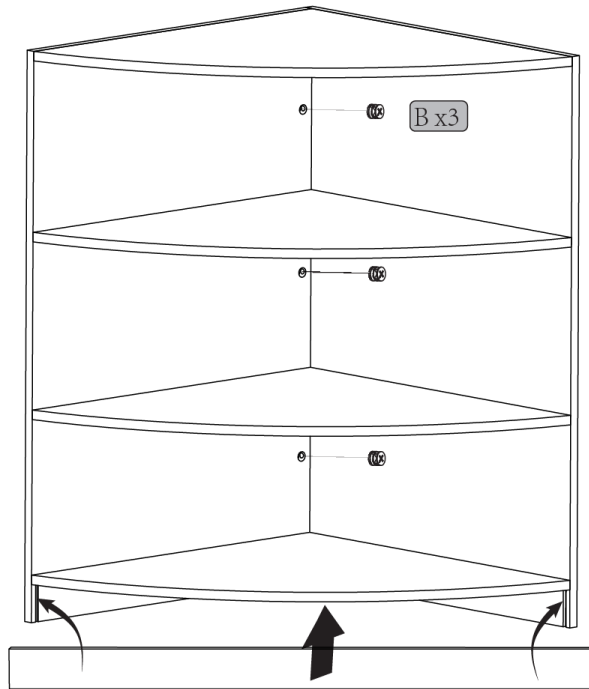




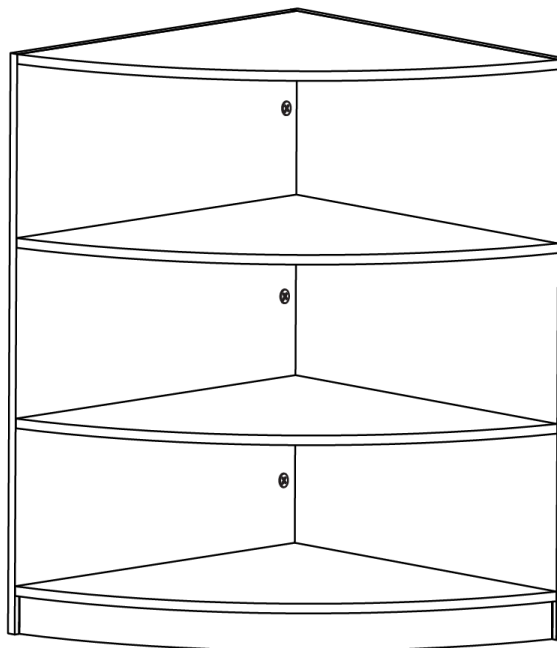
3.



4.



5.



## 6. Maintenance

- Clean the unit with a soft, damp cloth. Avoid using harsh chemicals or abrasive cleaners, which could damage the laminate or glass surfaces.

## 7. Troubleshooting

- **WHAT DO I DO IF THERE ARE MISSING PARTS FROM MY ORDER?**

If there appears to be any part missing from your order, contact our friendly and helpful Customer Support Team within 7 days of receipt.

- **FOR ALL OTHER ISSUES, PLEASE CONTACT OUR CUSTOMER SUPPORT TEAM.**

