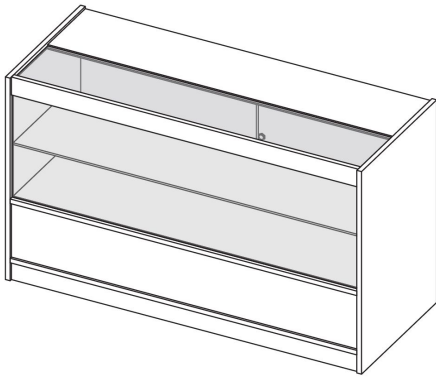


A StepAlong by Monstershop



**C900-1200 LED Shop Counter**

204107/204108/204109/204116/204117/204118

**Unit Overview**

The C retail counter is a versatile unit that offers both extensive display options and secure storage. The top section includes two glass-fronted shelves, complete with LED lighting to create an attractive, illuminated display for products. Beneath the display area, hidden storage provides ample space for supplies or stock, secured by lockable doors for added protection. With its durable laminate finish, this counter ensures long-lasting durability and easy maintenance. Available in black, white, and maple, it's the perfect solution for retailers looking to balance elegant product presentation with functional storage.

**Safety Advice**



- Please read through the Safe Working Practice to ensure prevention of injury or damage to the device.
- Make sure the unit is positioned on a flat, stable surface to prevent wobbling or tipping.
- If placing the unit on uneven flooring, use appropriate levelling methods to secure the unit.



- Do not exceed the specified weight limits for the shelves and surfaces to avoid damage to the unit or risk of injury.
- Ensure products are evenly distributed across shelves to prevent tipping or overloading.
- Ensure that children do not climb or play on the unit to prevent accidents or injury.
- Regularly inspect for any wear, such as loose screws or weak joints, and tighten or repair as necessary.
- There may be debris and/or sawdust in the pre-drilled holes. Remove this before commencing with assembly. Use gloves to remove it.
- Be cautious when handling items on glass shelves. Do not overload the shelves beyond their stated capacity, as this could lead to cracking or shattering.
- Always ensure the unit is properly plugged into a suitable power outlet with the correct voltage as indicated in the specifications.
- Do not allow the LED light strip to come into contact with water or moisture to avoid electrical hazards.
- Regularly inspect the LED strip and power cables for wear or damage. If any damage is noticed, immediately disconnect the power supply and seek professional assistance for repairs.
- Never attempt to modify or alter the electrical components or wiring of the LED light system.



- Ensure the power supply is switched off before performing any maintenance, cleaning, or adjusting of the LED lights.
- We recommend turning off the LED lights at the close of each business day to ensure energy efficiency and prolong the lifespan of the lights.
- Ensure proper ventilation around the LED lights to avoid overheating, especially if the unit is in constant use.
- Avoid covering or obstructing the LED lights to prevent overheating, which could shorten their lifespan or cause damage.
- Do not install the unit near any heat sources, such as radiators, as excessive heat can affect the longevity of the LED strip.
- Keep power cables and exposed lighting out of reach of children and animals to avoid accidental damage or injury.

**Parts**

1 - Center Shelf  
1 Piece(s)



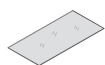
3 - Lower Shelf  
1 Piece(s)



5 - Kick Plate  
1 Piece(s)



7 - Front Glass Panel  
1 Piece(s)



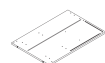
2 - Front Panel  
1 Piece(s)



4 - Kick Plate with Cable  
Pass-Through  
1 Piece(s)



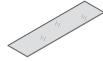
6 - Side Panel  
1 Piece(s)



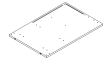
8 - Glass Mounting Bar  
1 Piece(s)



9 - Countertop Glass  
1 Piece(s)



11 - Side Panel  
1 Piece(s)



13 - Door with Lock Slot  
1 Piece(s)



A - Connector Screw  
14 Piece(s)



C - Door Lock  
1 Piece(s)



E - Power Adapter  
1 Piece(s)



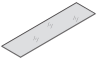
G - Slot Cover Strip  
3 Piece(s)



10 - LED-Integrated Counter-  
top  
1 Piece(s)



12 - Glass Shelf  
1 Piece(s)



14 - Door  
1 Piece(s)



B - Cam Lock  
14 Piece(s)



D - Phillips Head Screw  
4 Piece(s)



F - LED Extension Cable  
1 Piece(s)

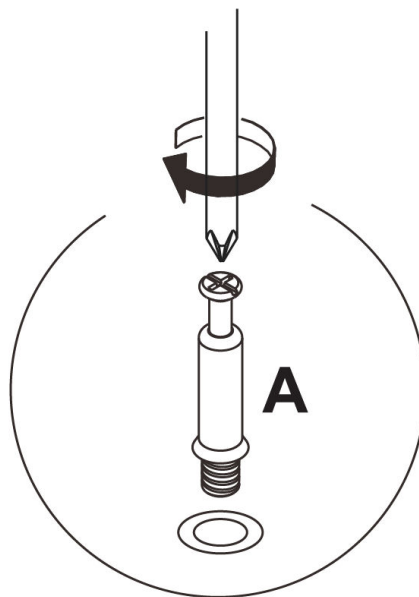
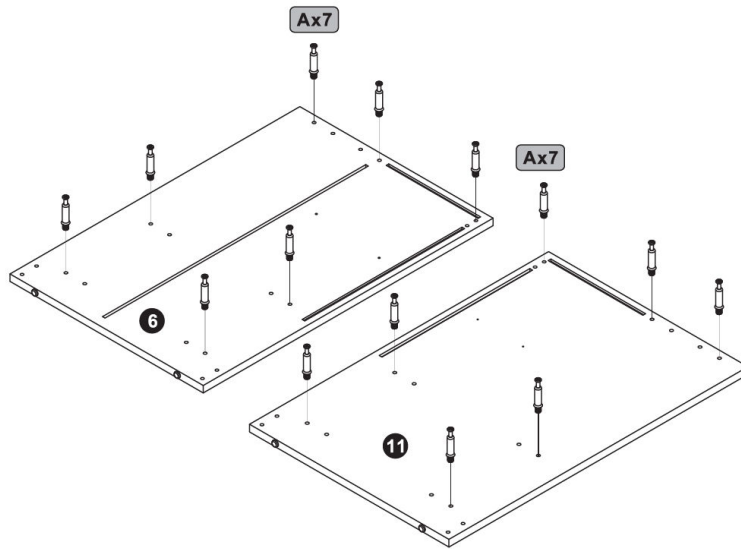


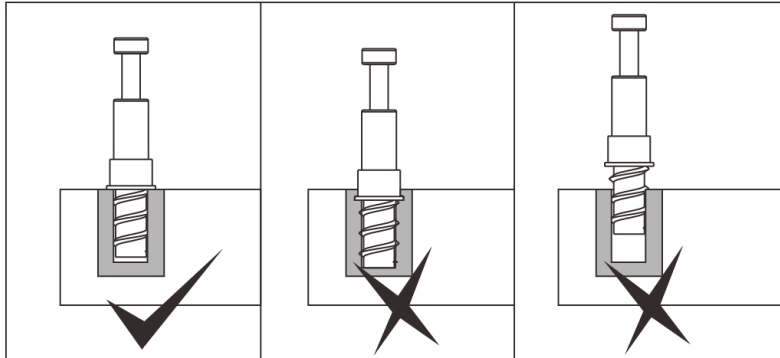
H - Glass Shelf Support  
4 Piece(s)



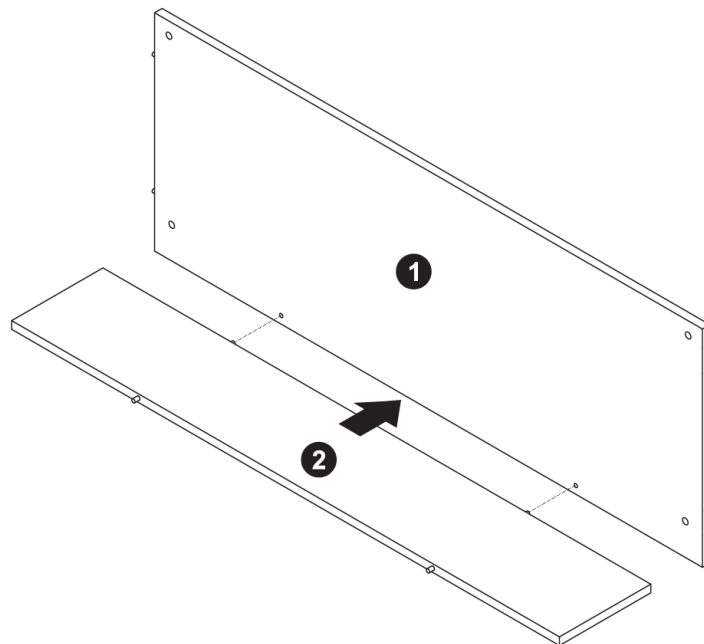
## Steps (25)

1.

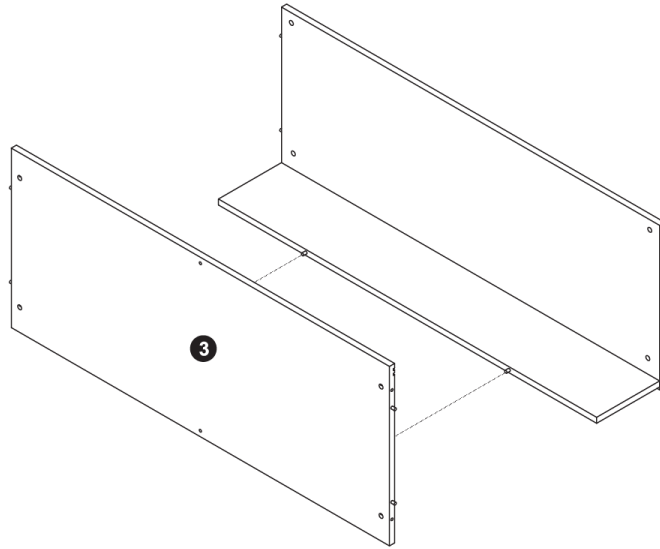




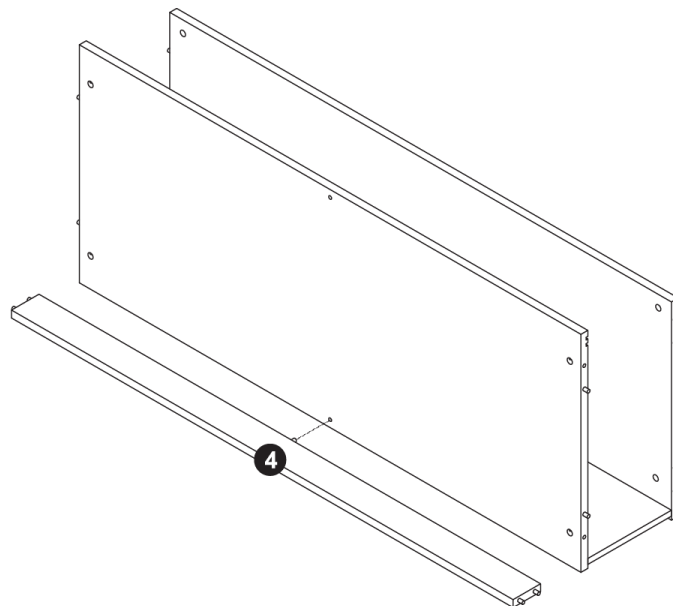
2.



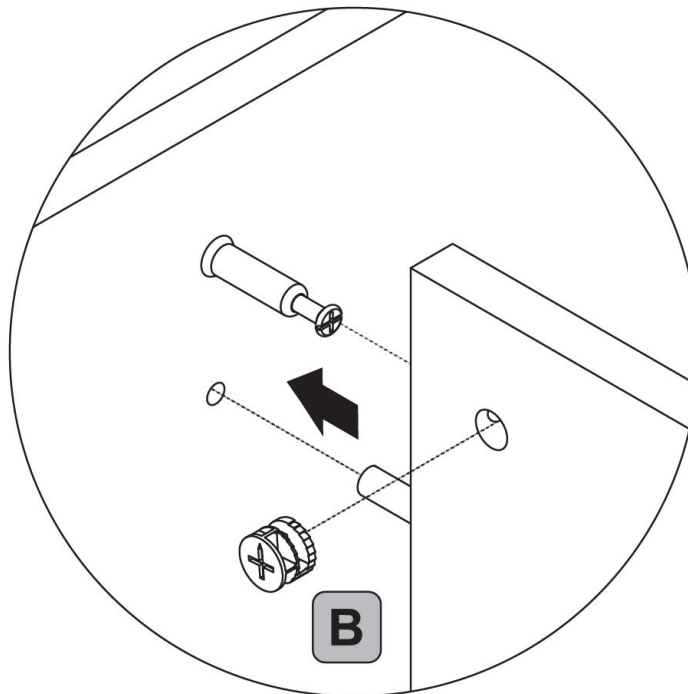
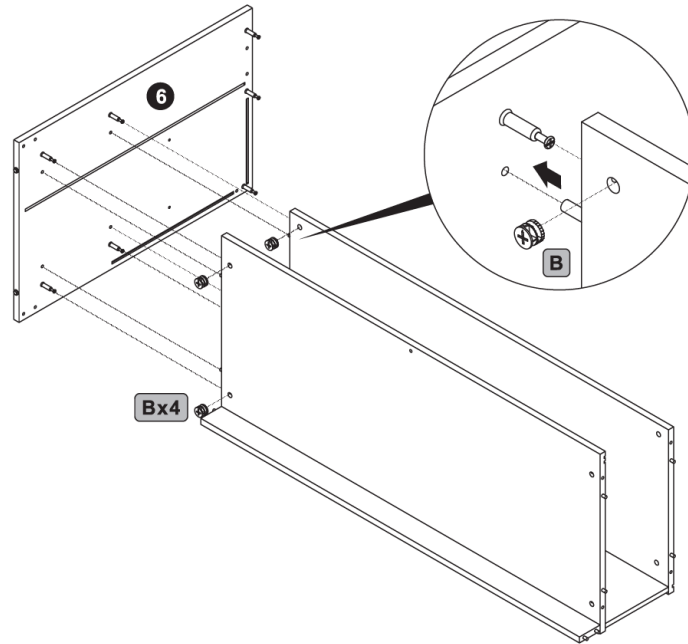
3.



4.

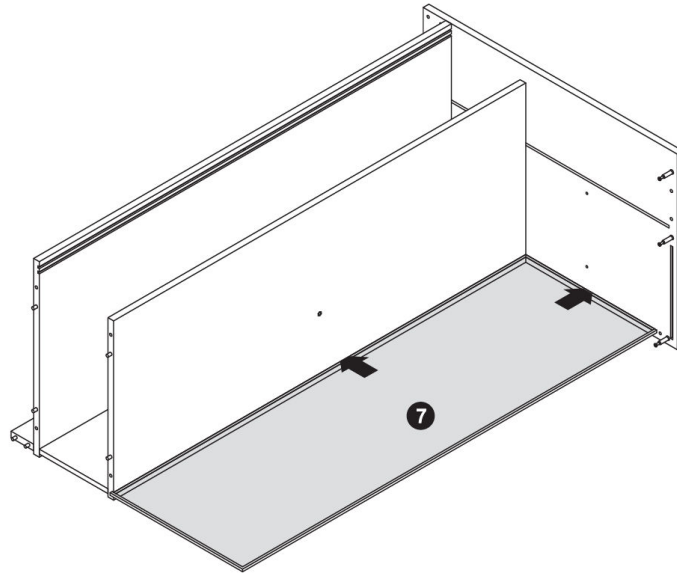


5.

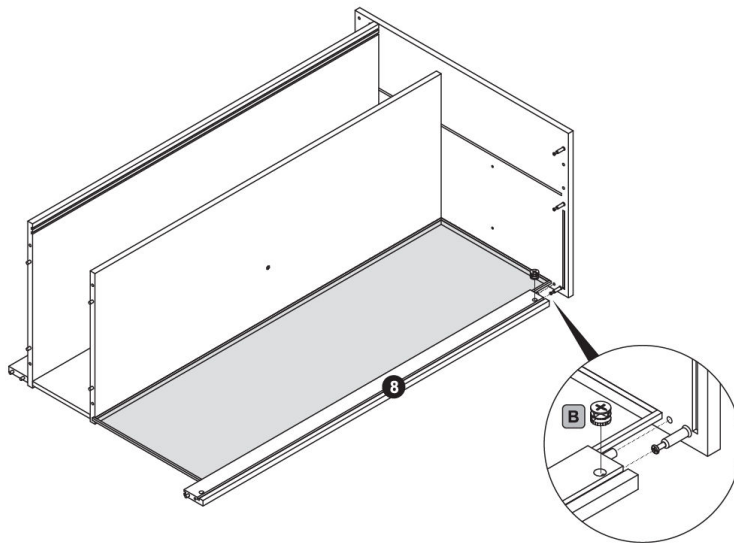


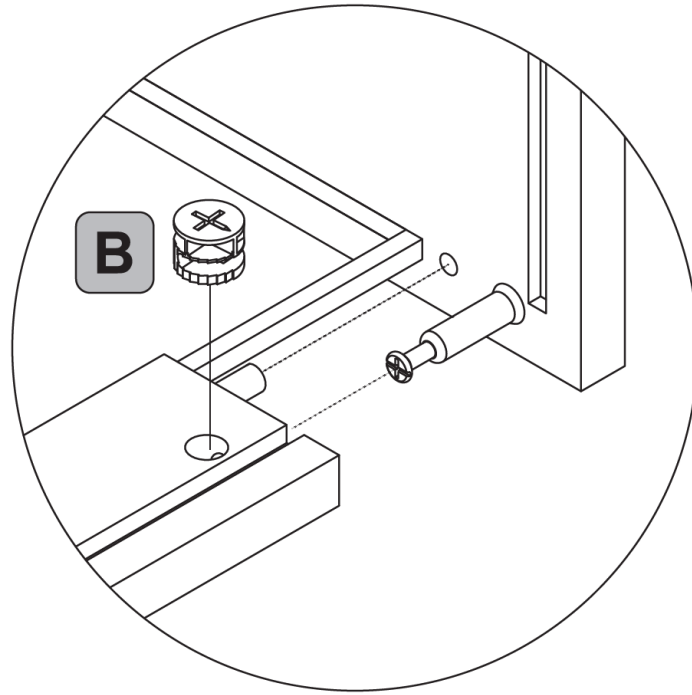


6.

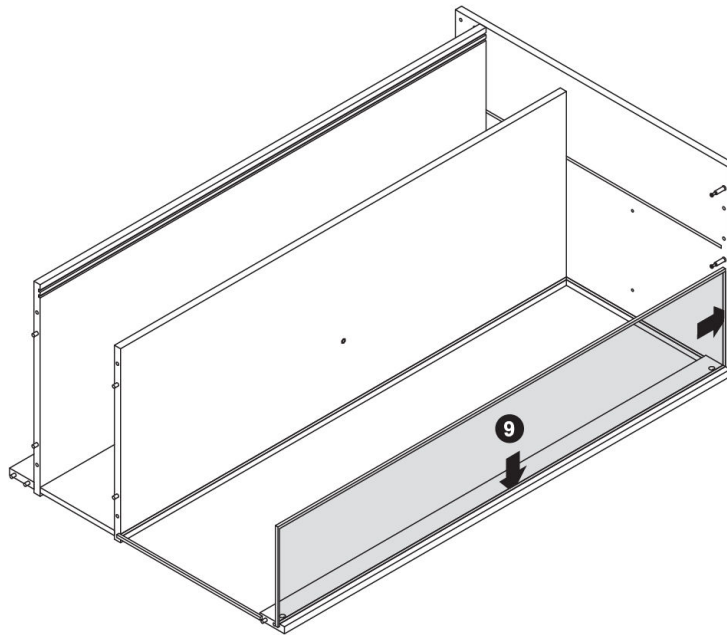


7.

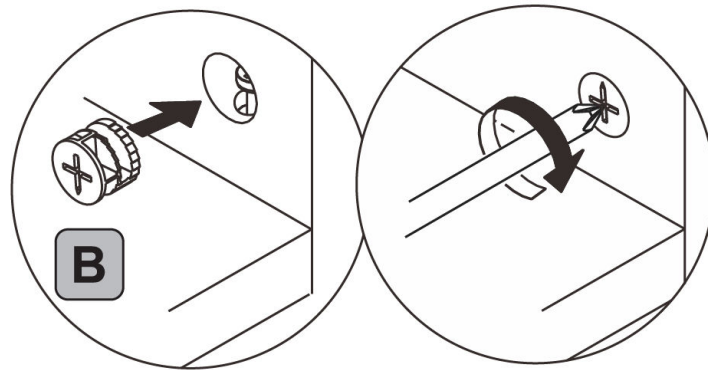
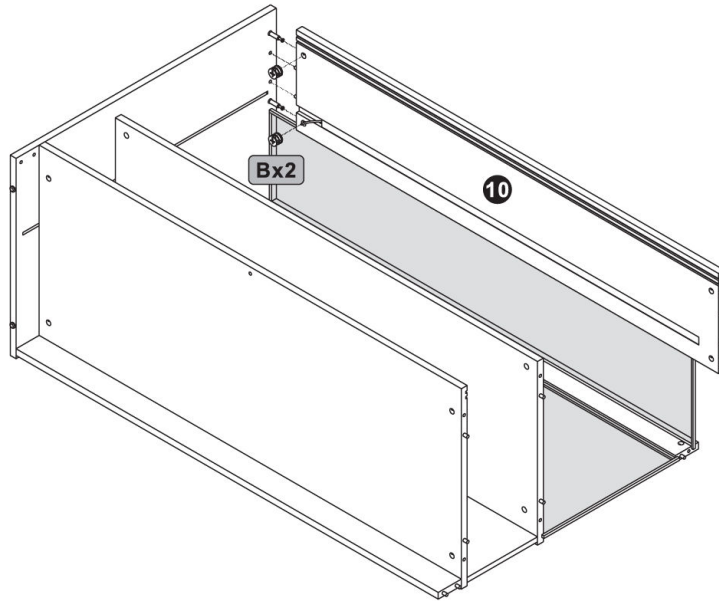




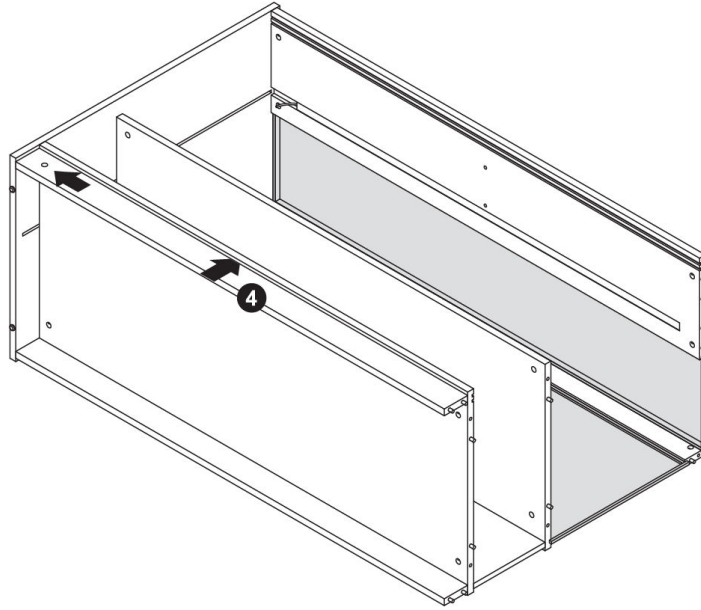
8.



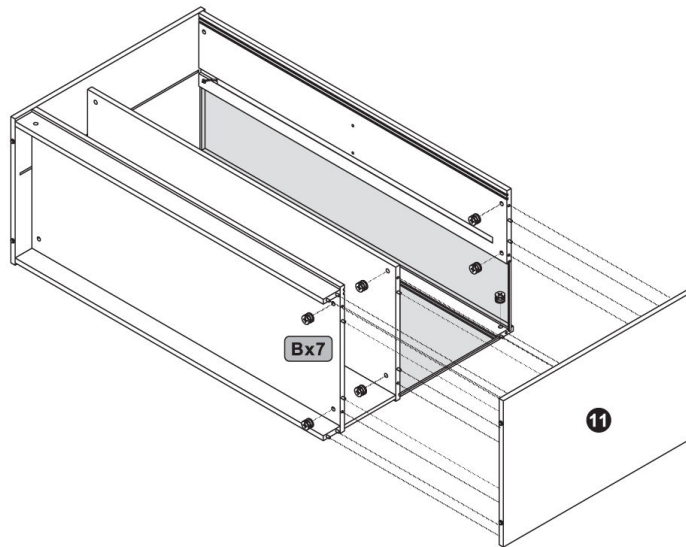
9.

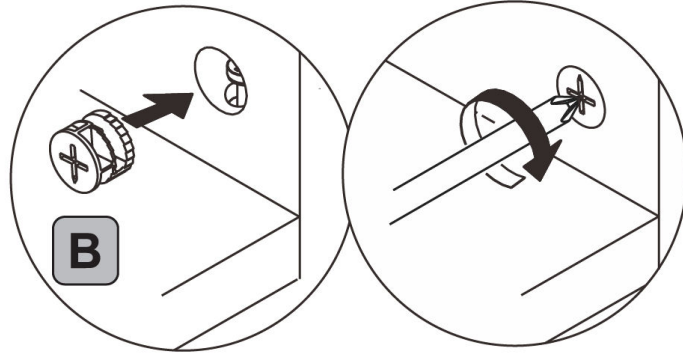


10.

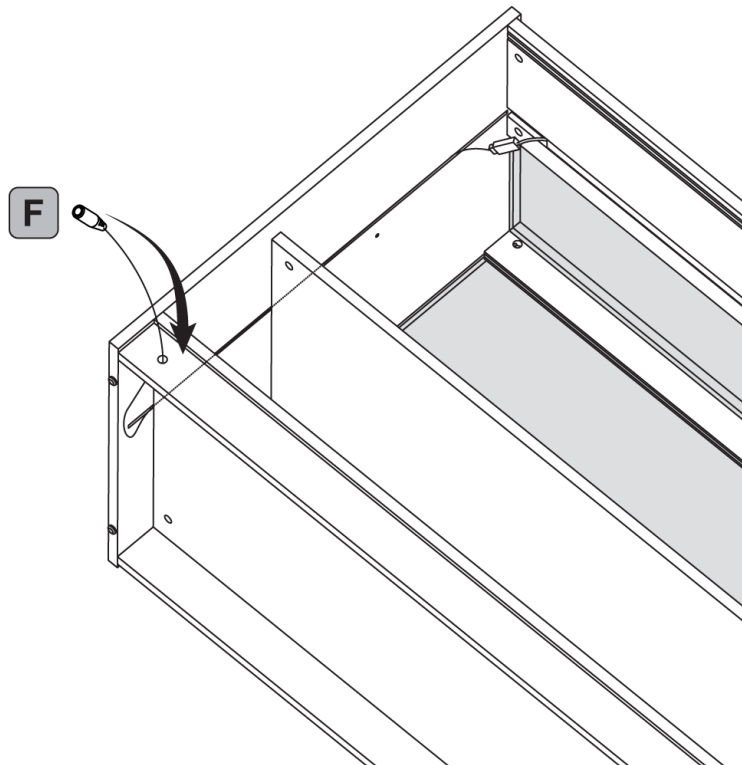


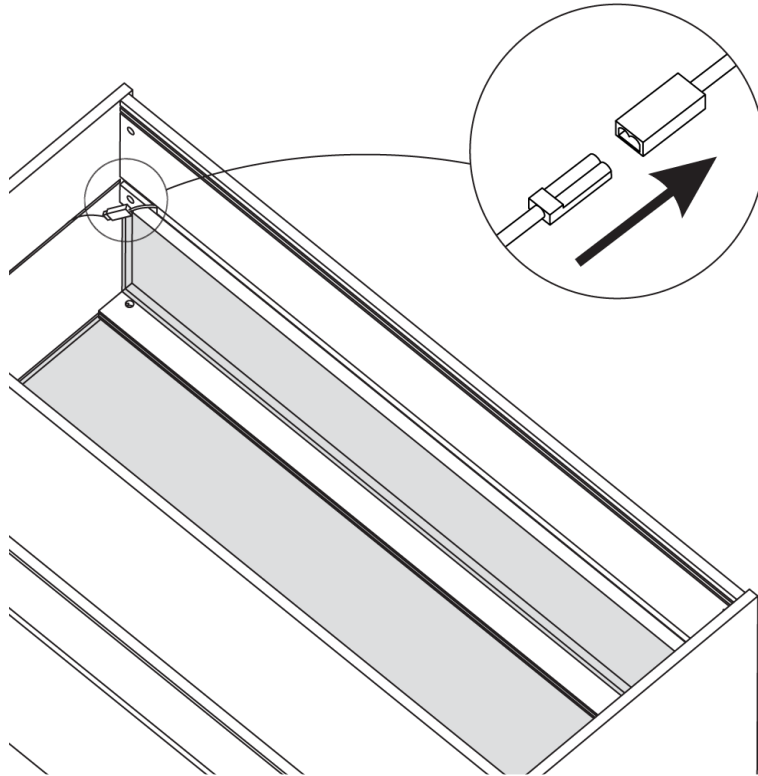
11.



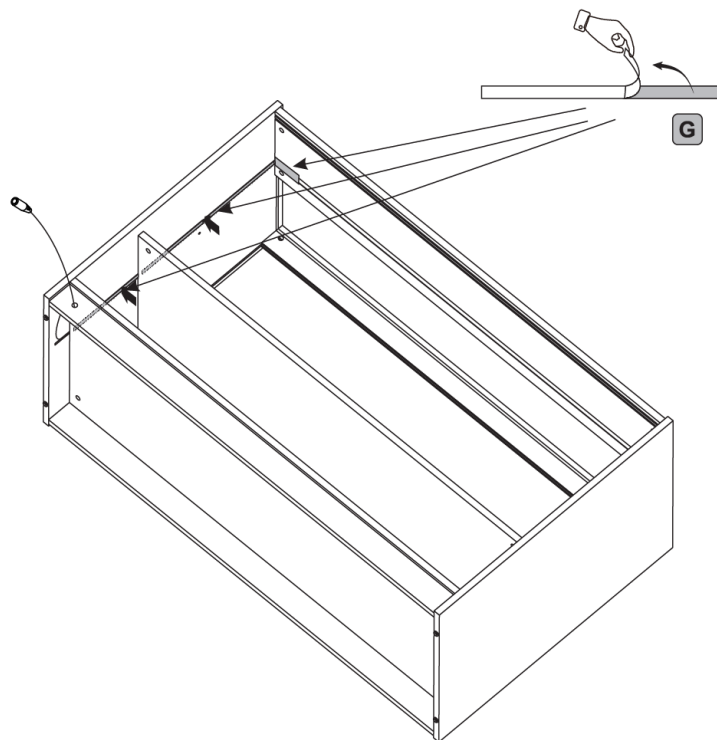


12.

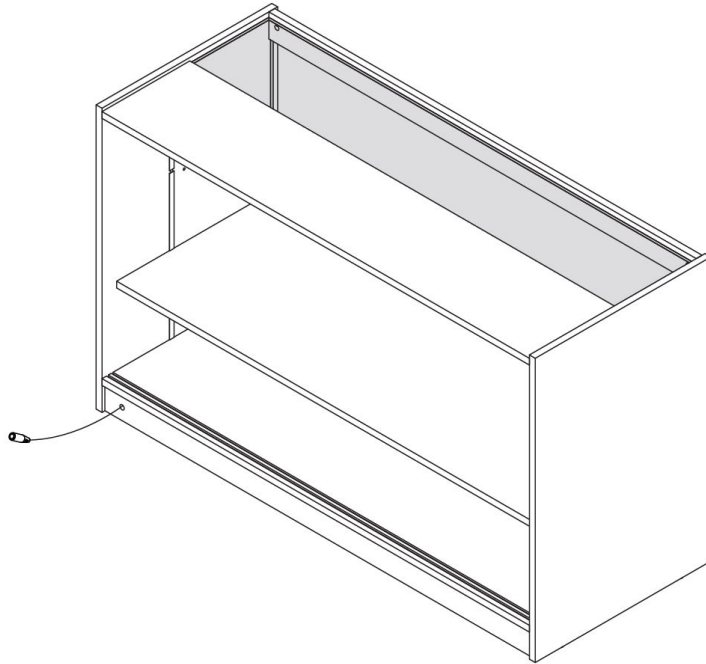




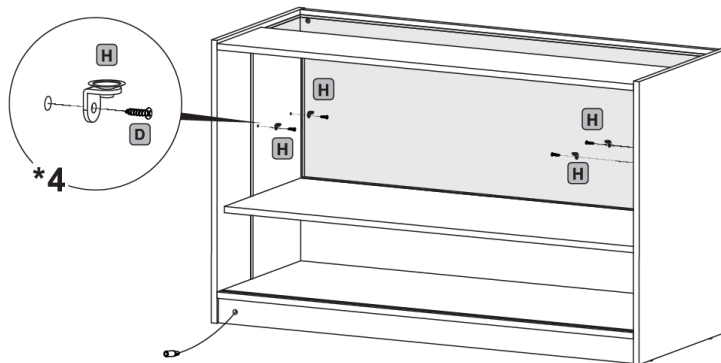
13.

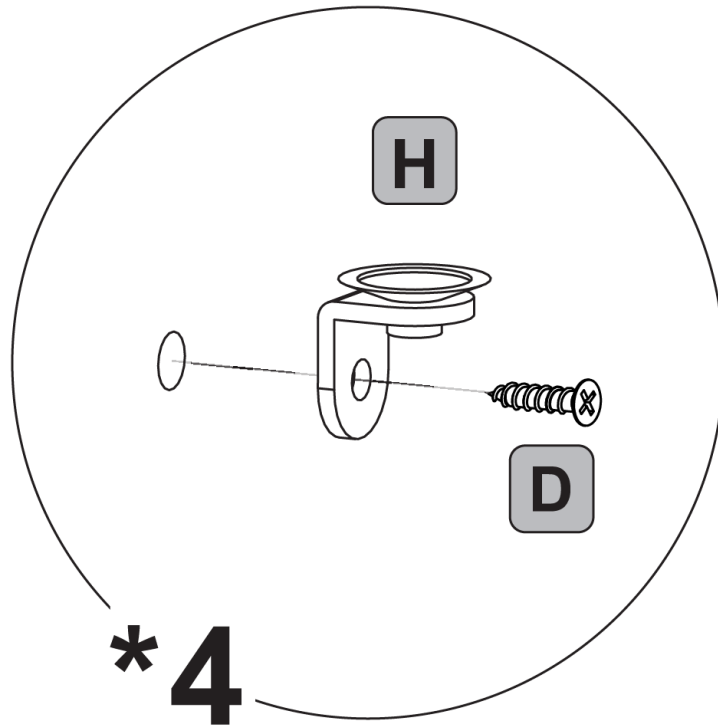


14.

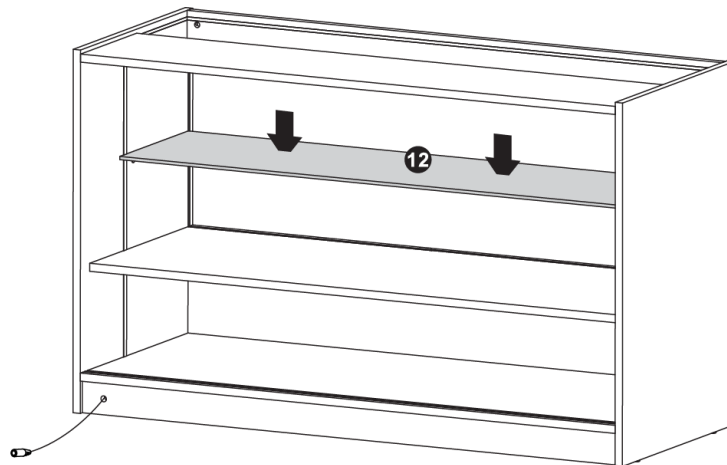


15.



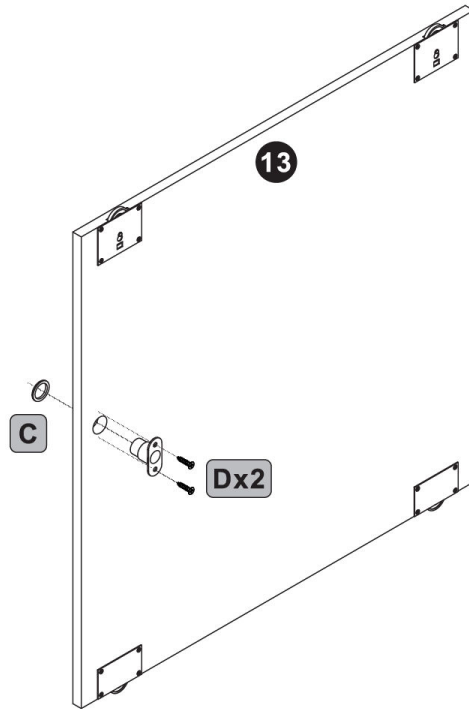


16.

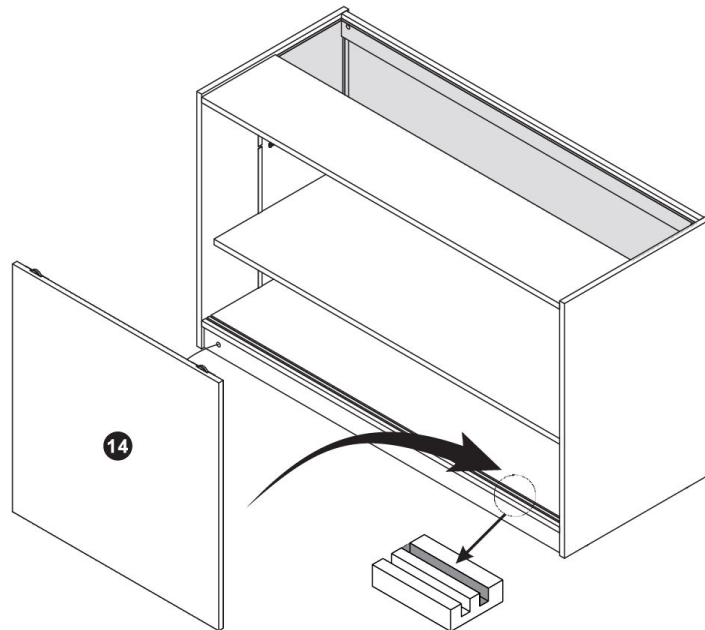




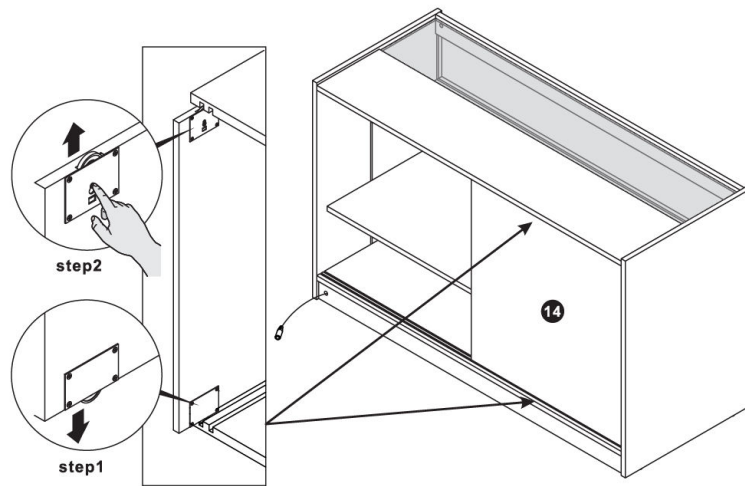
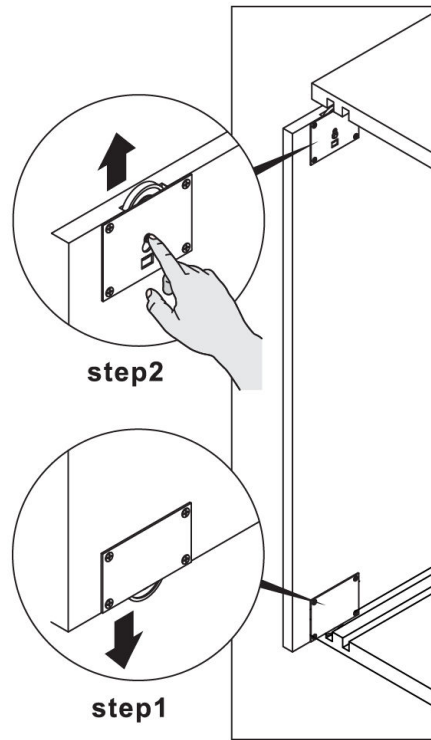
17.



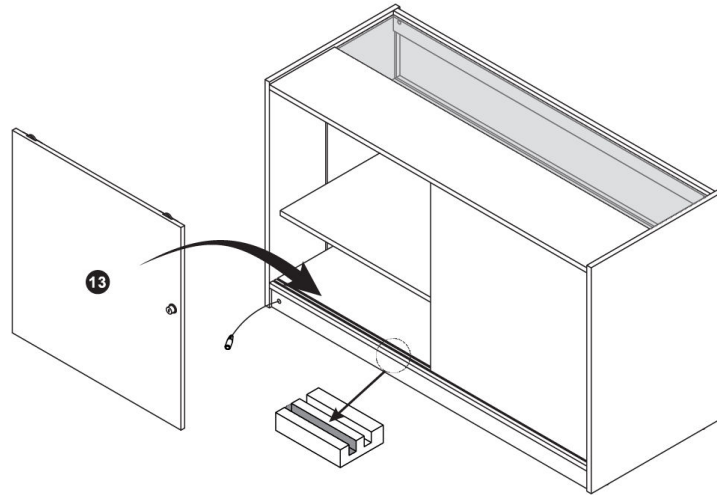
18.



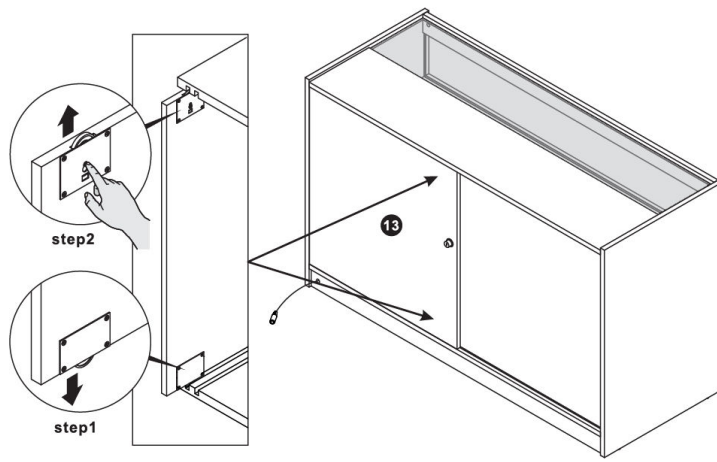
19.

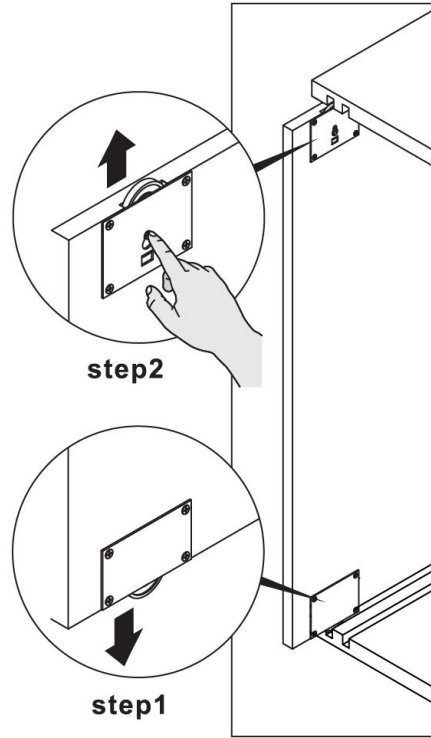


20.

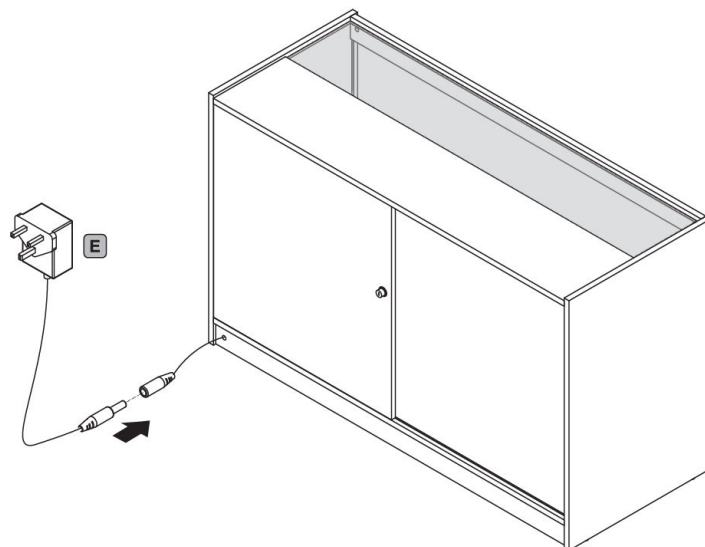


21.

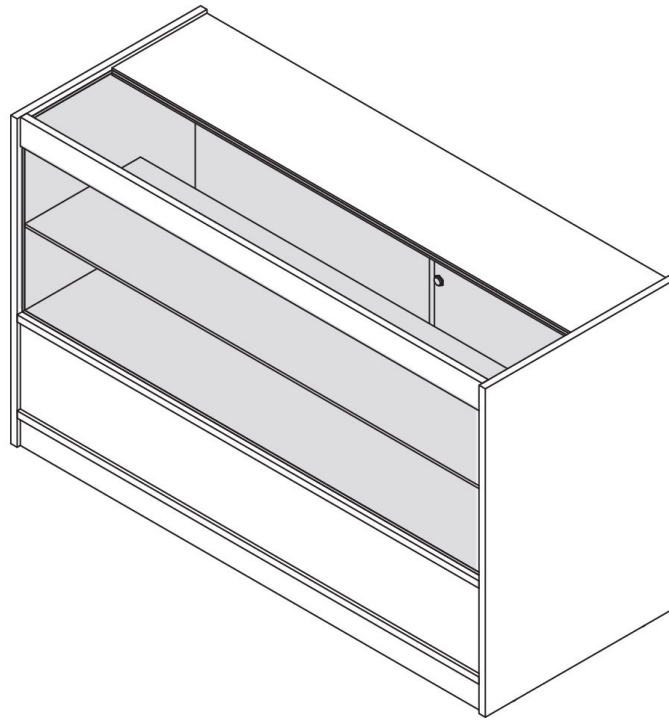




22.



23.



## 24. Maintenance

- Clean the unit with a soft, damp cloth. Avoid using harsh chemicals or abrasive cleaners, which could damage the laminate or glass surfaces.
- Clean the glass shelves with appropriate glass-cleaning products to maintain visibility and avoid streaks.

## 25. Troubleshooting

- **WHAT DO I DO IF THERE ARE MISSING PARTS FROM MY ORDER?**

If there appears to be any part missing from your order, contact our friendly and helpful [Customer Support Team](#) within 7 days of receipt.

- **FOR ALL OTHER ISSUES, PLEASE CONTACT OUR CUSTOMER SUPPORT TEAM.**



