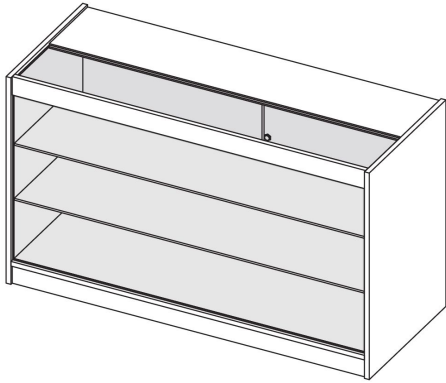


A StepAlong by Monstershop



K900-1200 LED Shop Counter

204110/204111/204112/204119/204120/204121

Unit Overview

The K retail counter is a sleek, full glass-fronted display unit, designed to showcase products in an elegant and highly visible manner. Featuring three spacious shelves, it provides ample room for presenting a variety of items while keeping them secure behind lockable doors. LED lighting is included to beautifully illuminate the displayed products, ensuring they stand out in any retail environment. With its durable laminate frame and clear glass front, this counter is available in black, white, and maple, offering both security and a premium display solution for your store.

Safety Advice



- Please read through the Safe Working Practice to ensure prevention of injury or damage to the device.
- Make sure the unit is positioned on a flat, stable surface to prevent wobbling or tipping.
- If placing the unit on uneven flooring, use appropriate levelling methods to secure the unit.



- Do not exceed the specified weight limits for the shelves and surfaces to avoid damage to the unit or risk of injury.
- Ensure products are evenly distributed across shelves to prevent tipping or overloading.
- Ensure that children do not climb or play on the unit to prevent accidents or injury.
- Regularly inspect for any wear, such as loose screws or weak joints, and tighten or repair as necessary.
- There may be debris and/or sawdust in the pre-drilled holes. Remove this before commencing with assembly. Use gloves to remove it.
- Be cautious when handling items on glass shelves. Do not overload the shelves beyond their stated capacity, as this could lead to cracking or shattering.
- Always ensure the unit is properly plugged into a suitable power outlet with the correct voltage as indicated in the specifications.
- Do not allow the LED light strip to come into contact with water or moisture to avoid electrical hazards.
- Regularly inspect the LED strip and power cables for wear or damage. If any damage is noticed, immediately disconnect the power supply and seek professional assistance for repairs.
- Never attempt to modify or alter the electrical components or wiring of the LED light system.



- Ensure the power supply is switched off before performing any maintenance, cleaning, or adjusting of the LED lights.
- We recommend turning off the LED lights at the close of each business day to ensure energy efficiency and prolong the lifespan of the lights.
- Ensure proper ventilation around the LED lights to avoid overheating, especially if the unit is in constant use.
- Avoid covering or obstructing the LED lights to prevent overheating, which could shorten their lifespan or cause damage.
- Do not install the unit near any heat sources, such as radiators, as excessive heat can affect the longevity of the LED strip.
- Keep power cables and exposed lighting out of reach of children and animals to avoid accidental damage or injury.

Parts

1 - Bottom Shelf

1 Piece(s)



2 - Kick Plate with Cable

Pass-Through

1 Piece(s)



3 - Kick Plate

1 Piece(s)



4 - Side Panel

1 Piece(s)



5 - Side Panel

1 Piece(s)



6 - Front Glass Panel

1 Piece(s)



7 - Glass Mounting Bar


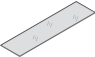





1 Piece(s)

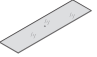







8 - Countertop Glass

1 Piece(s)



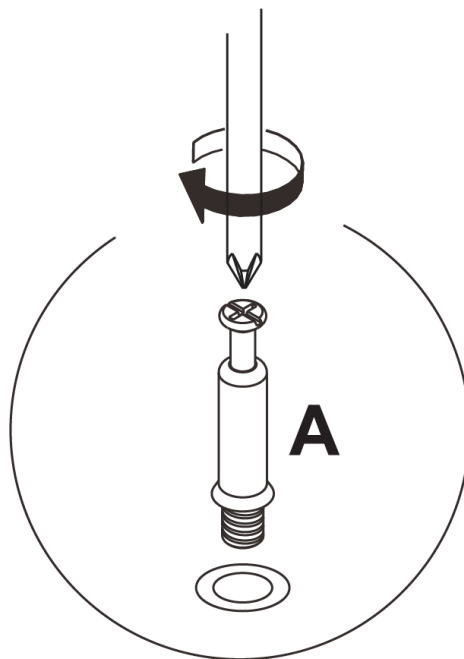
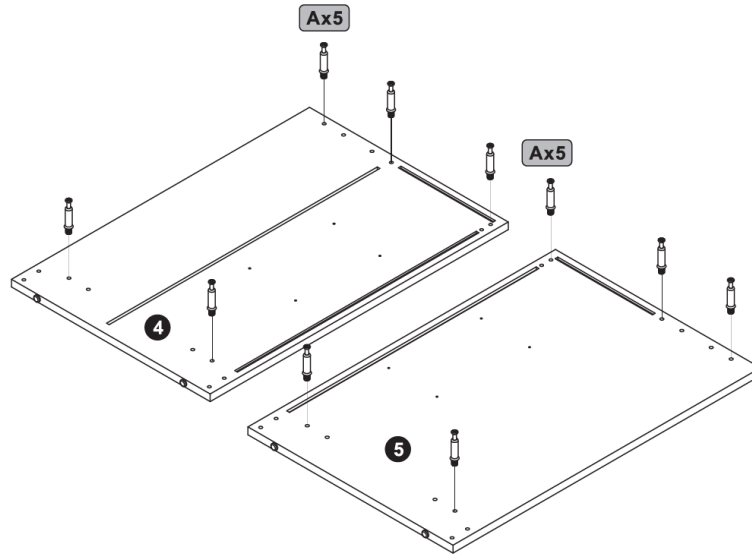
9 - LED-Integrated Counter-top 1 Piece(s)	
11 - Top Glass Shelf 1 Piece(s)	
13 - Door 1 Piece(s)	
B - Cam Lock 10 Piece(s)	
D - Phillips Head Screw 10 Piece(s)	
F - LED Extension Cable 1 Piece(s)	
H - Glass Shelf Support 8 Piece(s)	

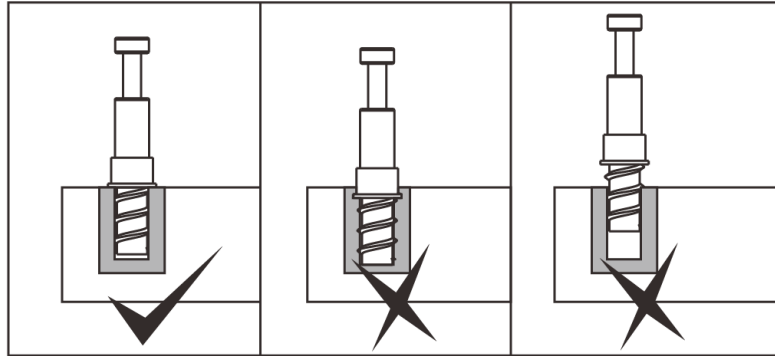
10 - Bottom Glass Shelf 1 Piece(s)	
12 - Door with Lock Slot 1 Piece(s)	
A - Connector Screw 10 Piece(s)	
C - Door Lock 1 Piece(s)	
E - Power Adapter 1 Piece(s)	
G - Slot Cover Strip 2 Piece(s)	



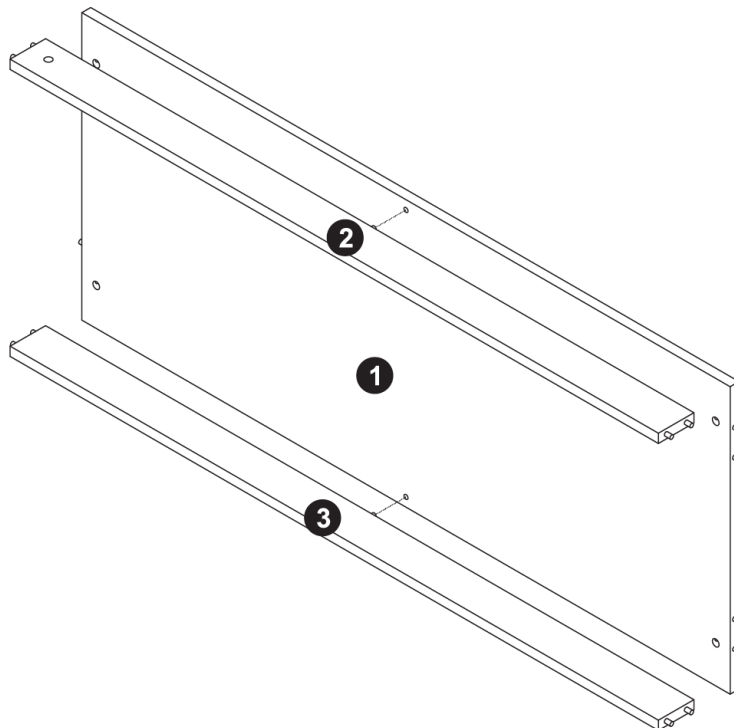
Steps (22)

1.

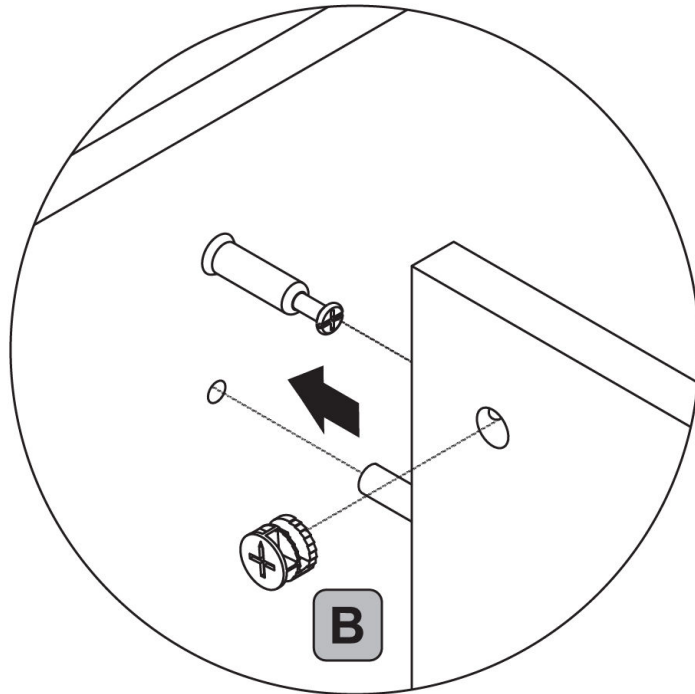
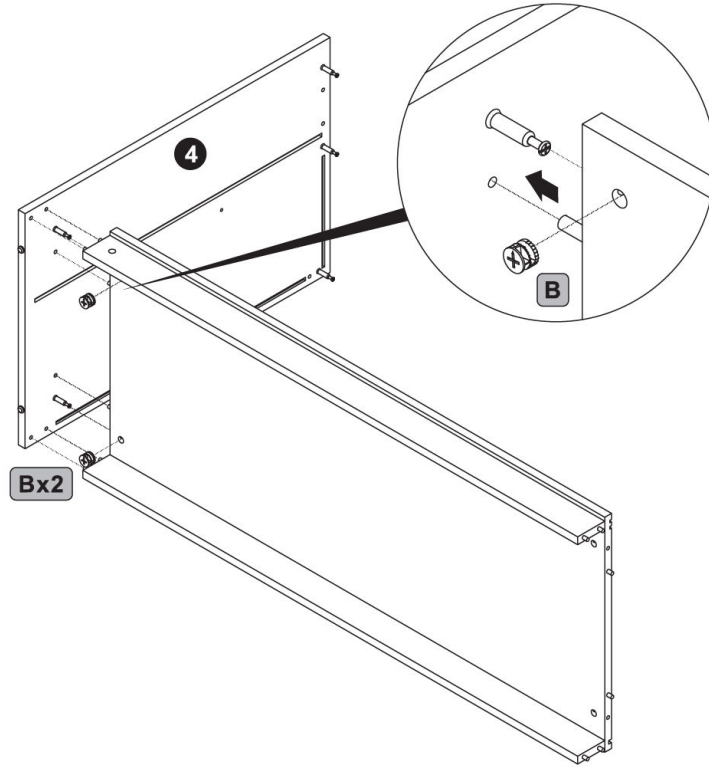




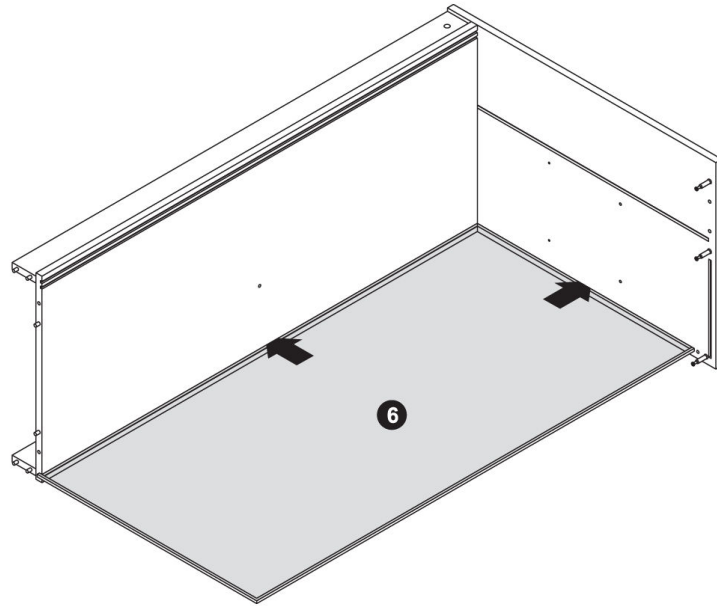
2.



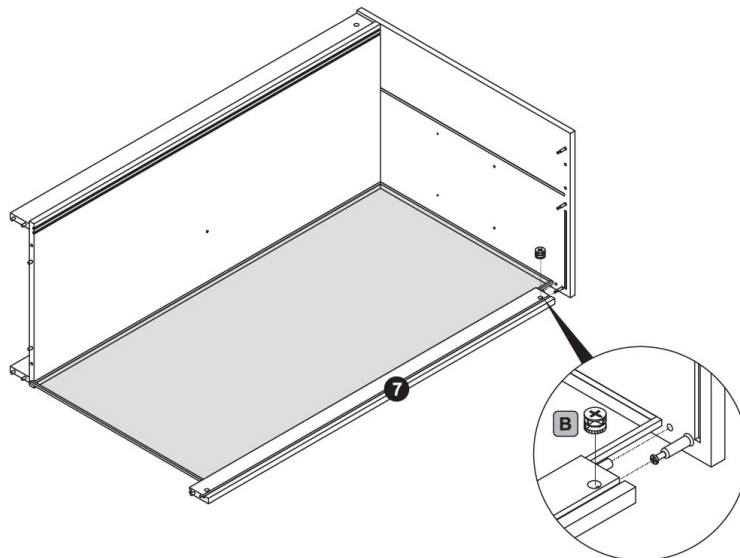
3.

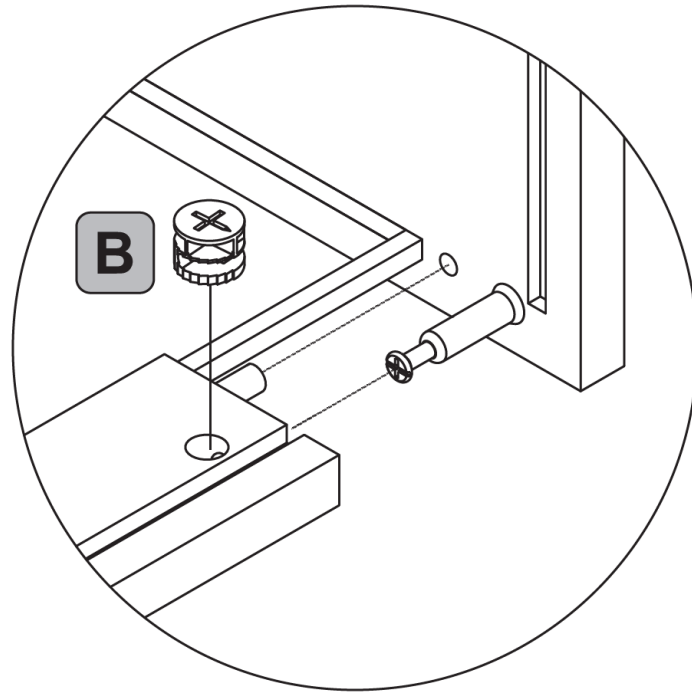


4.

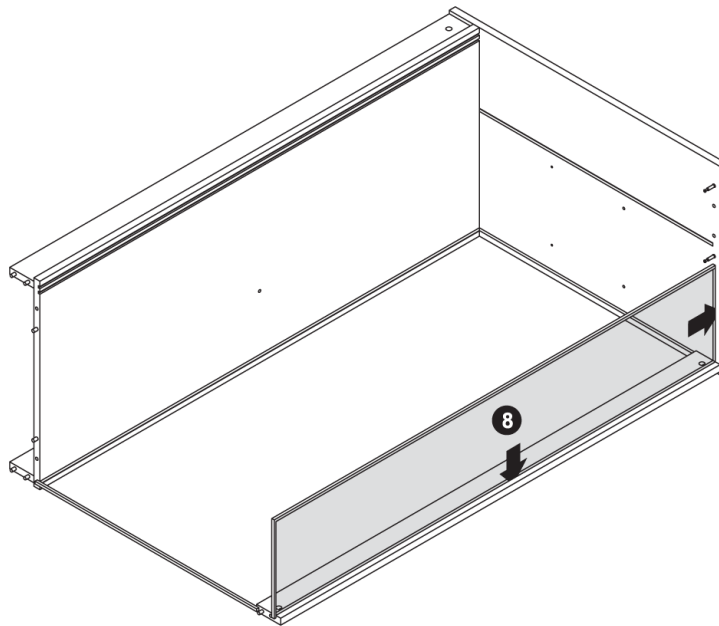


5.

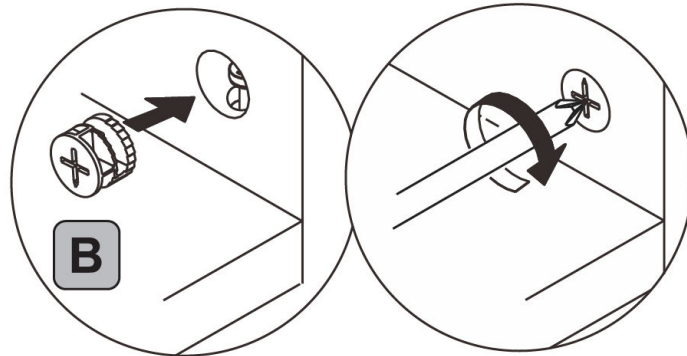
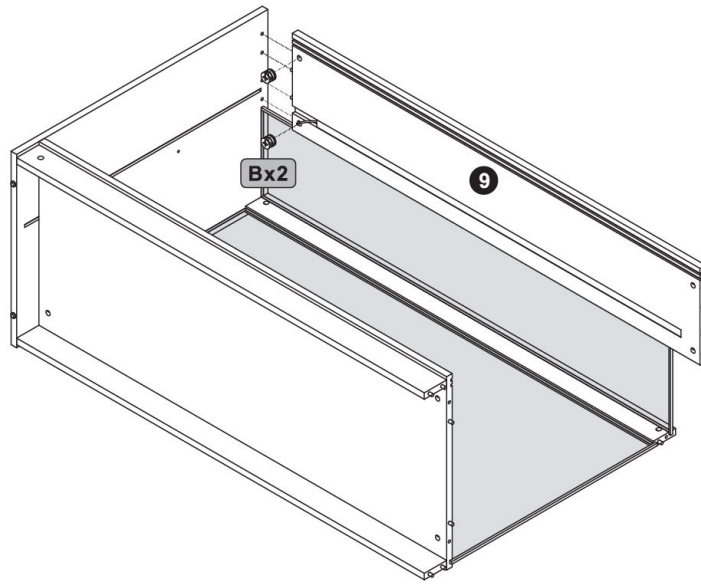




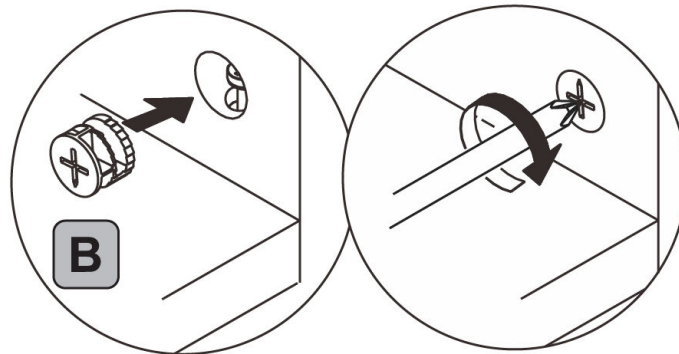
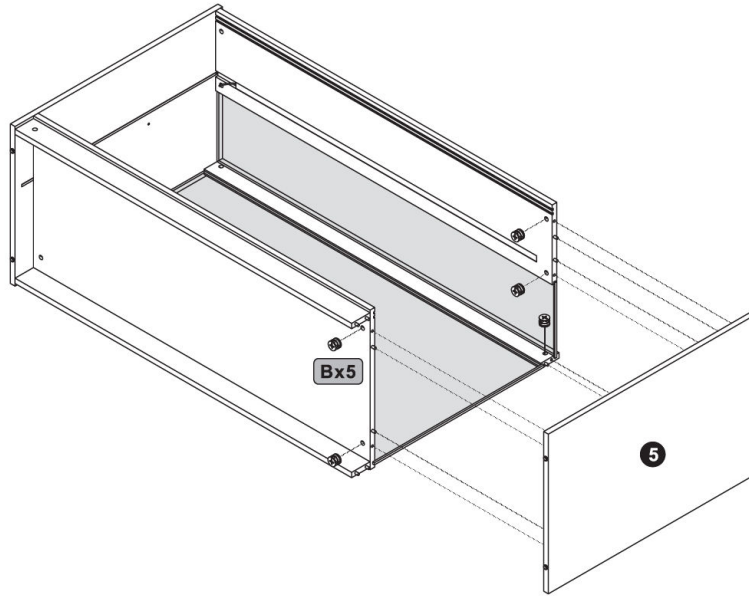
6.



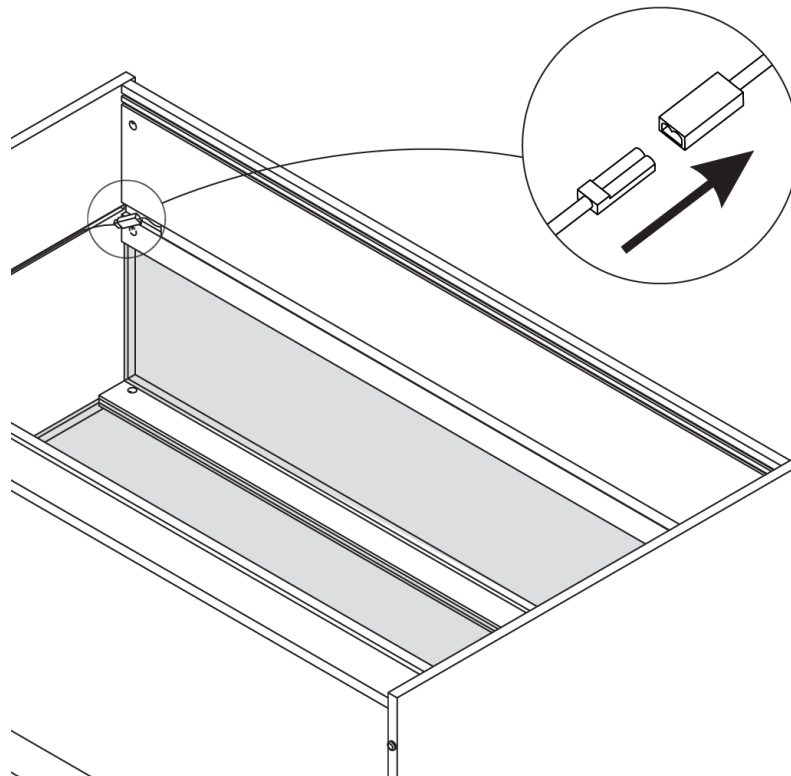
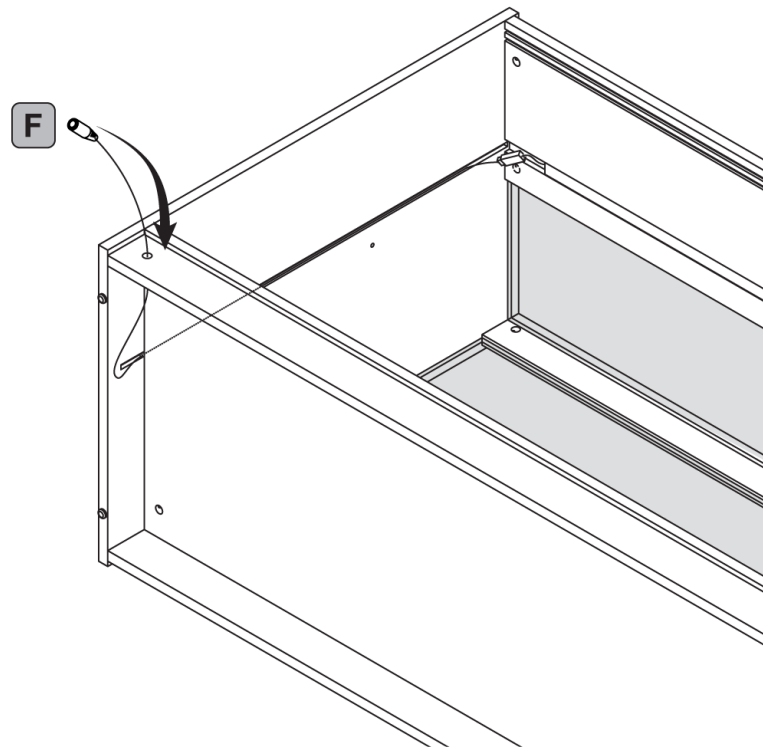
7.



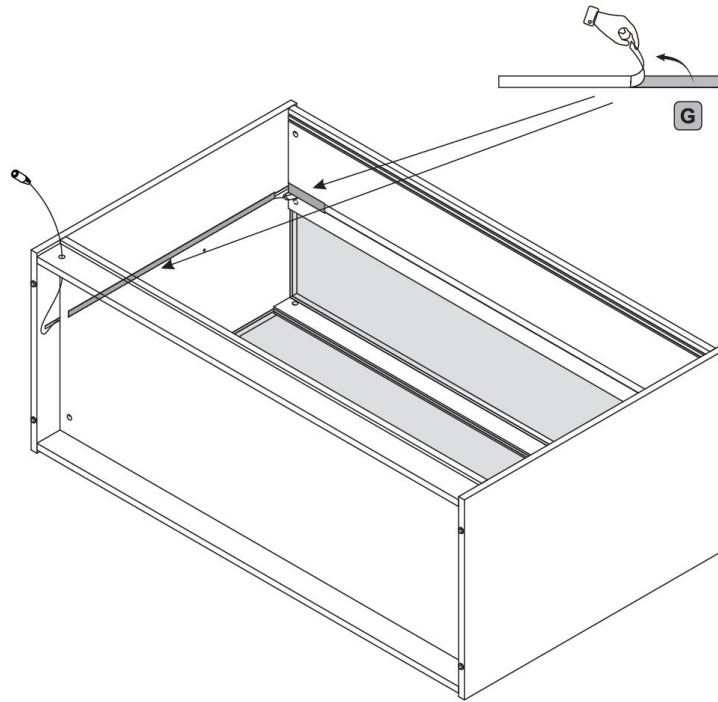
8.



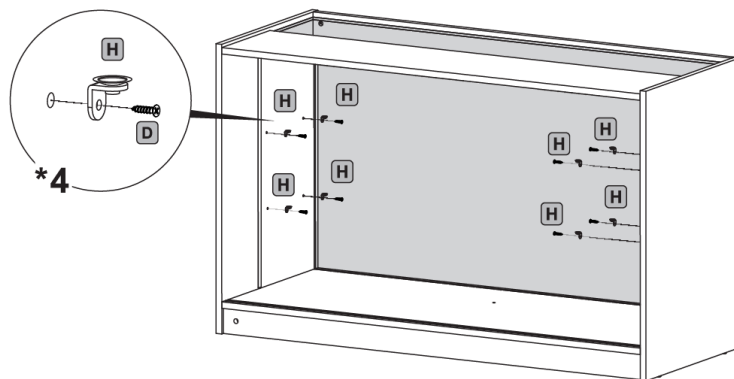
9.

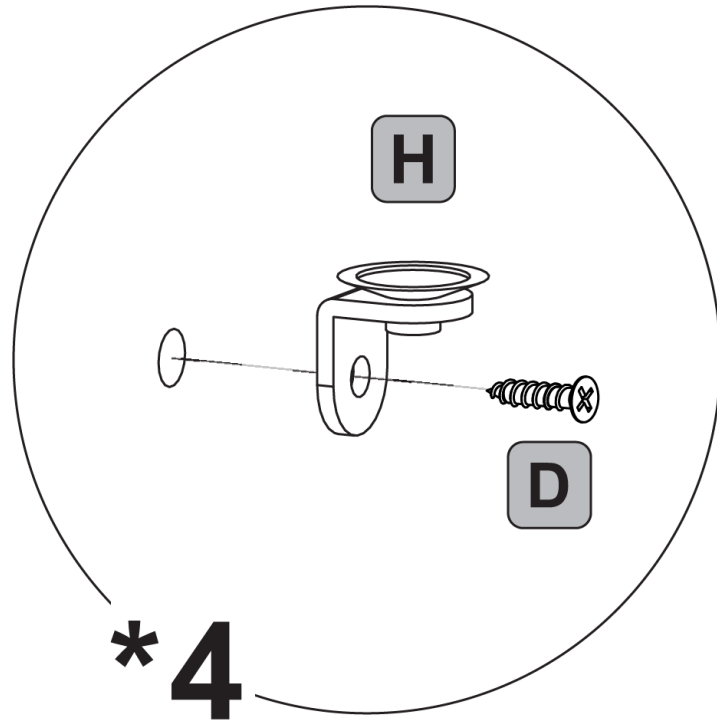


10.

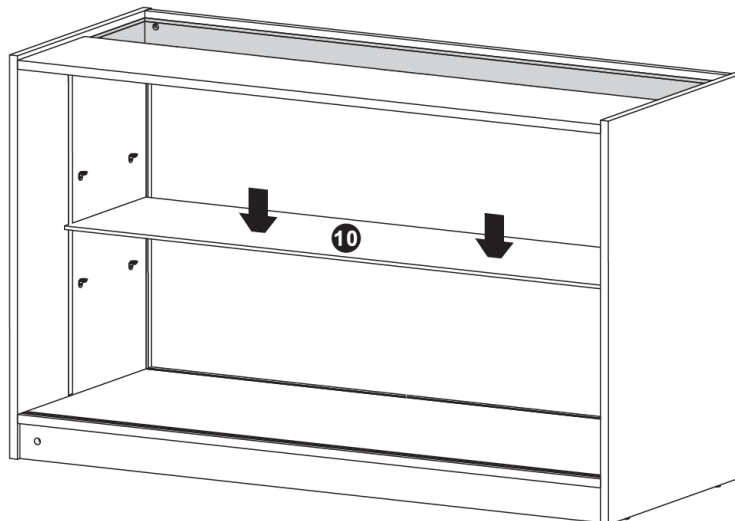


11.

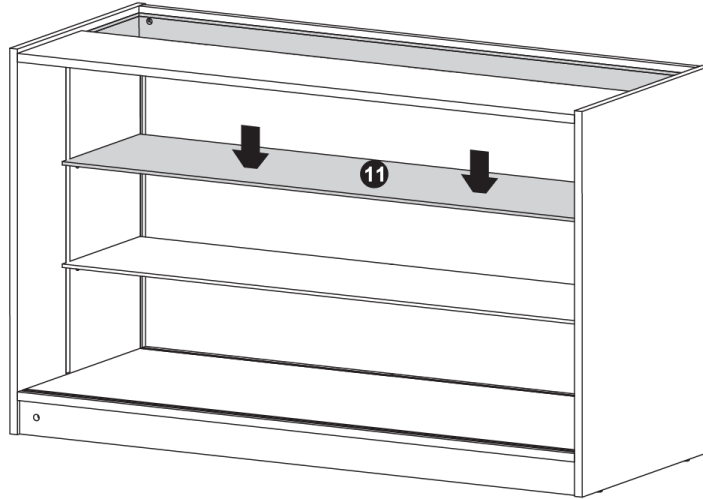




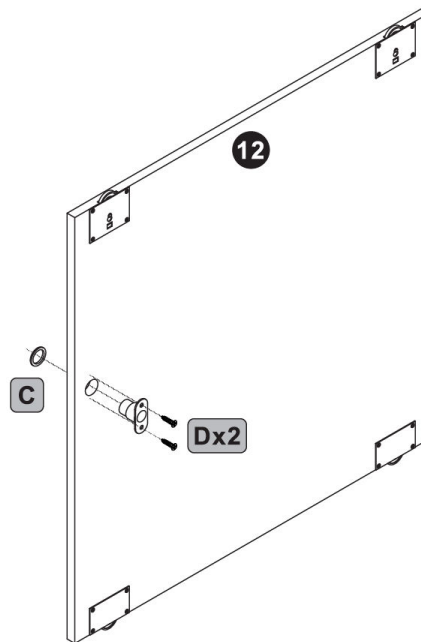
12.



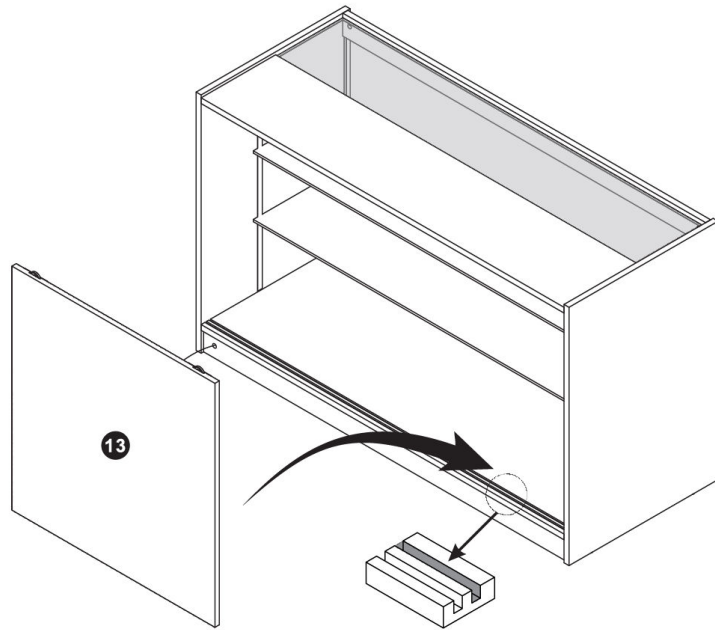
13.



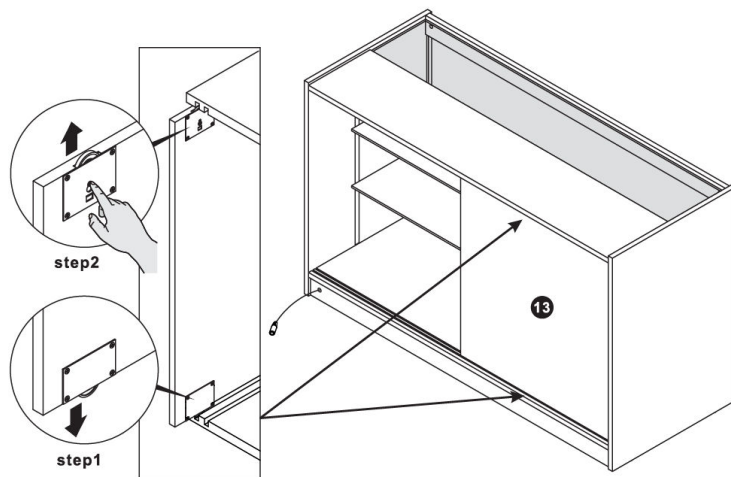
14.

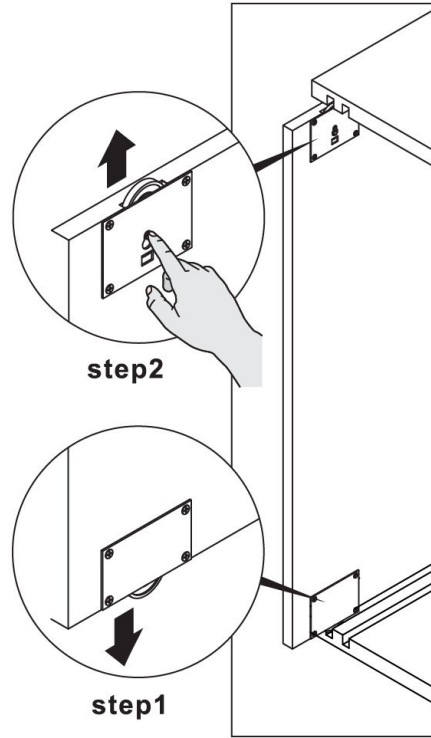


15.

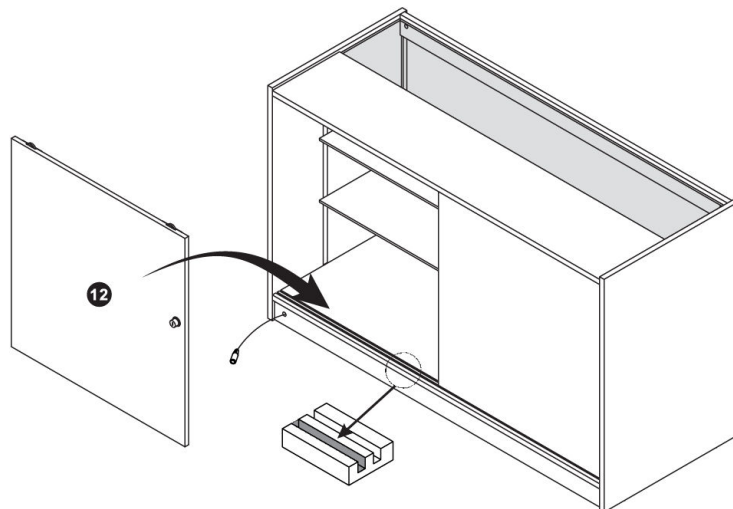


16.

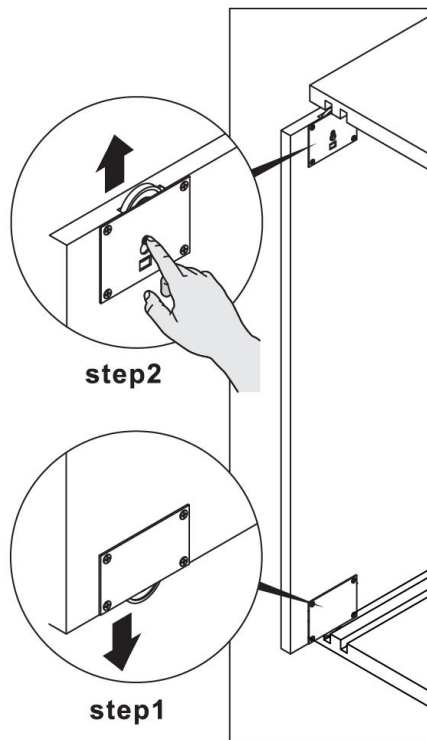
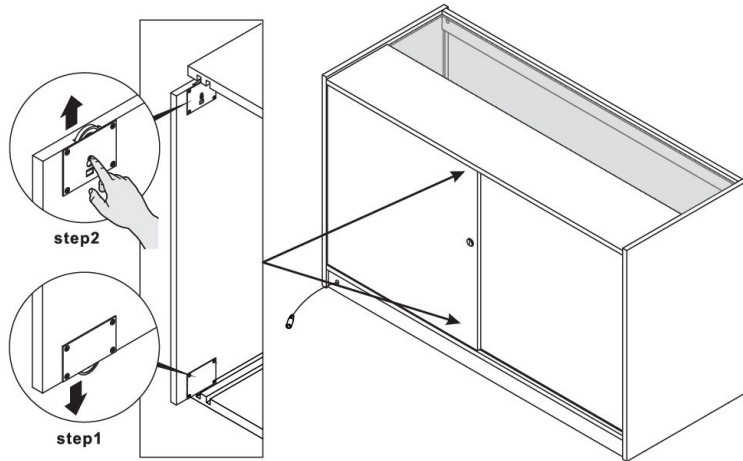




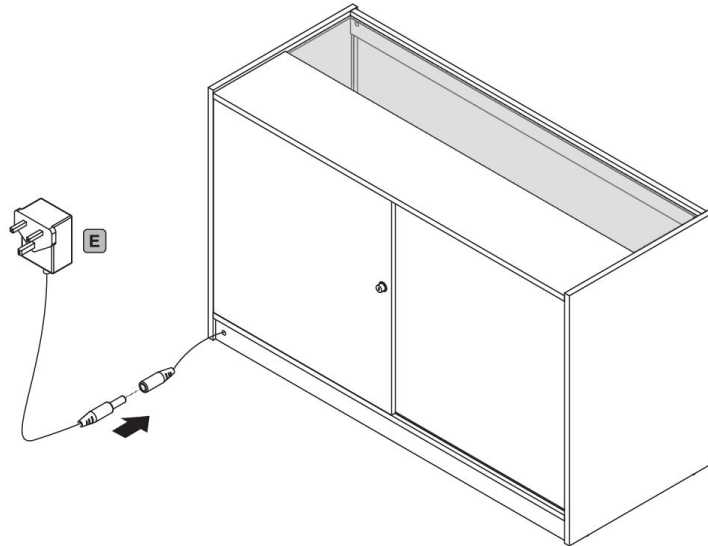
17.



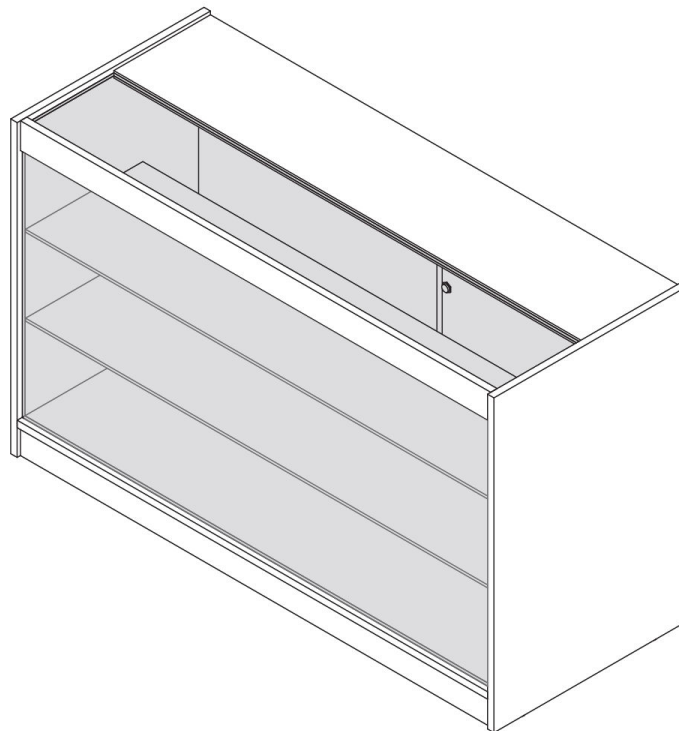
18.



19.



20.



21. Maintenance

- Clean the unit with a soft, damp cloth. Avoid using harsh chemicals or abrasive cleaners, which could damage the laminate or glass surfaces.
- Clean the glass shelves with appropriate glass-cleaning products to maintain visibility and avoid streaks.

22. Troubleshooting

- **WHAT DO I DO IF THERE ARE MISSING PARTS FROM MY ORDER?**

If there appears to be any part missing from your order, contact our friendly and helpful [Customer Support Team](#) within 7 days of receipt.

- **FOR ALL OTHER ISSUES, PLEASE CONTACT OUR CUSTOMER SUPPORT TEAM.**

