



T-Mech 40 Gallon Parts Washer

210911

INSTRUCTION MANUAL

www.monstershop.co.uk



SPECIFICATION

PRODUCT DESCRIPTION

The T-MECH Parts Washer has a 40-gallon tank with a removable component shelf to accommodate bigger parts. Also comes with a small parts container for washing the smaller parts.

This product can be used by professionals or do-it-yourselfers.

Built with sturdy steel with an orange powder-coated finish for many years of leak-free use.

The T-MECH Parts Washer accepts all common degreasing fluids. You be able to direct solvent using the flexible hose.

The fusible link automatically closes the lid in case of fire.

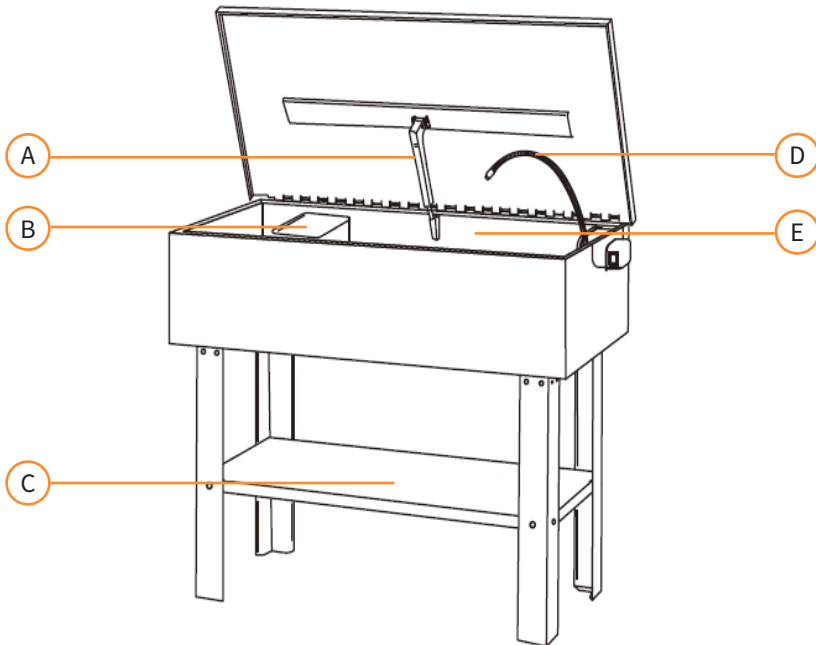
PRODUCT SPECIFICS

Tank Capacity	40 Gallon
Solvent Capacity	24 Gallon
Max Pump Output	2.7-3.6 L/min
Electrical Requirment	120V, 60Hz / 240V, 50Hz

SPECIFICATION

PRODUCT FEATURES

- A. Lid Stay with Fusible Link
- B. Small Parts Container
- C. Shelf
- D. Flexible Pipe
- E. Extra Large Tank with Component Shelf



Monster Group UK Limited's liability will be limited to the commercial value of the product only.

SAFETY ADVICE

SAFE WORKING PRACTICE

- ALWAYS Learn the machine's applications, limitations, and the specific potential hazards. Read and become familiar with the entire operating manual.
- ALWAYS wear suitable protective clothing, gloves, and goggles, manufactured to the latest European Safety Standards.
- ALWAYS clean off any accidental splashes of degreaser on the skin, seek medical attention immediately if necessary.
- ALWAYS follow degreaser manufacturer's instructions carefully.
- ALWAYS check for damage before using the washer, any damaged part, should be checked to ensure that it will operate properly, and perform its intended function. Any damage should be properly repaired, or the part replaced.
- ALWAYS disconnect the washer from the power supply before carrying out any maintenance or cleaning of the parts washer.
- ALWAYS keep work area clean. Cluttered areas and benches invite accidents, mop up accidental spillages of degreaser immediately.
- ALWAYS ensure that adequate lighting is available.
- ALWAYS keep children away. All visitors should be kept a safe distance from the work area, especially whilst operating the machine.
- ALWAYS maintain machine in top condition. Keep washer clean for the best and safest performance. Follow maintenance instructions.
- ALWAYS ensure the switch is off before plugging in to mains. Avoid accidental starting.
- ALWAYS concentrate on the job in hand, no matter how trivial it may seem. Be aware that accidents are caused by carelessness due to familiarity.
- ALWAYS keep your proper footing and balance at all times don't overreach. For best footing, wear rubber soled footwear. Keep floor clear.

SPECIFICATION

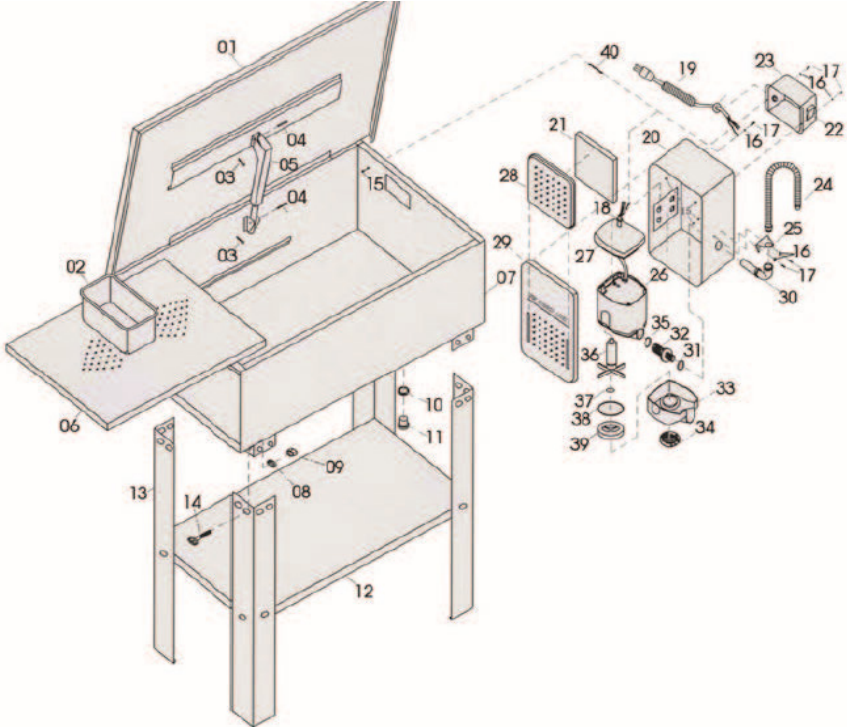
ITEM CONTENTS

Part No.	Description	Part No.	Description
1	Lid	21	Screen
2	Small Parts Container	22	Switch
3	Spring Pin	23	Switch Box
4	Rivet	24	Flexible Pipe
5	Lid Stay	25	Elbow Seat
6	Work Shelf	26	Pump Body*
7	Tank	27	Pump Cover*
8	Spring Washer	28	Filter Cover
9	Nut	29	Pump Housing Cover
10	O-Ring	30	Elbow
11	Plug	31	O-Ring
12	Shelf	32	Spigot
13	Leg	33	Pump Housing*
14	Screw	34	Pump Filter*
15	Nut	35	Sealing Ring
16	Spring Washer	36	Pump Impeller*
17	Screw	37	Pump Shim Washer*
18	Grommet	38	Pump Sealing Ring*
19	Power Cable & Plug	39	Pump Impeller Holder*
20	Pump Housing	40	Pryocondensation Pipe

* Pump assembly complete

SPECIFICATION

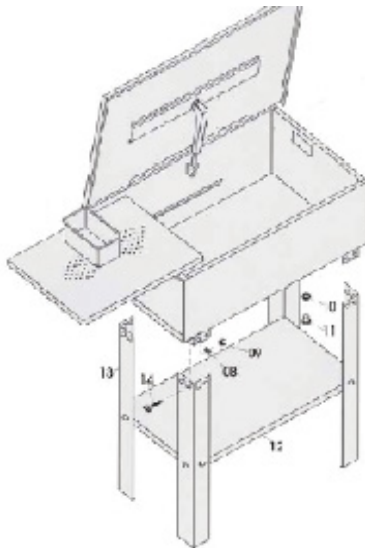
ITEM CONTENTS



USER GUIDE

ASSEMBLY INSTRUCTIONS

- Choose a firm, flat and level surface to place the parts washer on, in a well-ventilated area and away from any naked flames.
- Assemble the legs and shelf to the parts washer as shown in the diagram below, using the screws and nuts supplied.
- Remove the pump housing cover plate (2 self-tapping screws) and dispose of any packaging around the pump.
- Replace the cover plate and mount the pump housing through the slot in the side of the tank. The switch housing protrudes through the slot with its underside hooking over the edge of the tank.
- Ensure all packaging is removed before filling with parts washer fluid.



USER GUIDE

OPERATING INSTRUCTIONS

ELECTRICAL CONNECTIONS



WARNING!

Read these electrical safety instructions thoroughly before connecting the product to the mains supply.

Before switching the product on, make sure that the voltage of your electricity supply is the same as that indicated on the rating plate.

Connecting it to any other power source may cause damage. This product may be fitted with a non-rewireable plug. If it is necessary to change the fuse in the plug, the fuse cover must be refitted. If the fuse cover becomes lost or damaged, the plug must not be used until a suitable replacement is obtained.

USER GUIDE

OPERATING INSTRUCTIONS

- Fill only with a non-flammable degreaser or cleaning agent, such as parts washer fluid, to just below the level of the parts shelf.



WARNING!

DO NOT fill with flammable solvents, such as paraffin, thinners, etc.

- Open the lid, switch the pump on and hold the part to be cleaned under the nozzle, slowly rotate the component until clean.
- When clean, leave to drain on the tray or in a small component container until dry.
- Switch off the pump and close the lid and disconnect the power supply.
- Remove gloves and goggles, store safely.

Note: Any spillages should be mopped up immediately, so as not to cause a safety hazard.

IMPORTANT:

- The Lid Stay incorporates a safety device in the form of a fusible link, which closes the lid in the event of fire. The link is non-resetting and must be replaced should it be activated.
- Clean the pump filter regularly, by sliding it away from the pump housing and rinsing it in clean degreaser.
- Do not allow the level of liquid in the parts washer to fall below the pump inlet, as damage to the pump can result.

TROUBLESHOOTING

RESOLUTION GUIDE

WHAT DO I DO IF THERE ARE MISSING PARTS FROM MY ORDER?

If there appears to be any part missing from your order, contact our friendly and helpful Customer Support Team within 7 days of receipt.

FOR ALL OTHER ISSUES, PLEASE CONTACT OUR
CUSTOMER SUPPORT TEAM.



SPÉCIFICATIONS

DESCRIPTION DU PRODUIT

DÉTAILS DU PRODUIT

LISTE DES PIÈCES

SPÉCIFICATIONS

CARACTÉRISTIQUES DU PRODUIT

La responsabilité de Monster Group UK Limited sera limitée à la valeur commerciale du produit.

CONSEILS DE SÉCURITÉ

 PRATIQUE DE TRAVAIL SÉCURITAIRE

MODE D'EMPLOI

INSTRUCTIONS DE MONTAGE

MODE D'EMPLOI

ENTRETIEN

DÉPANNAGE

GUIDE DE RÉOLUTION

QUE FAIRE S'IL MANQUE DES PIÈCES À MA COMMANDE?

S'il semble manquer des pièces à votre commande, contactez notre équipe du service client dans les 7 jours suivant la réception.

**POUR TOUT AUTRE PROBLÈME, VEUILLEZ
CONTACTER NOTRE ÉQUIPE DU SERVICE CLIENT.**



SPEZIFIKATIONEN

PRODUKTBESCHREIBUNG

PRODUKTSPEZIFIKA

TEILELISTE

SPEZIFIKATION

PRODUKTMERKMALE

Die Haftung von Monster Group UK Limited ist auf den Handelswert des Produkts beschränkt.

SICHERHEITSHINWEIS

 SICHERES ARBEITEN

BENUTZERLEITFADEN

MONTAGEANLEITUNGEN

BENUTZERLEITFADEN

WARTUNG

FEHLERBEHEBUNG

LÖSUNGSGUIDE

WAS MACHE ICH, WENN BEI MEINER BESTELLUNG TEILE FEHLEN?

Falls bei Ihrer Bestellung ein Teil zu fehlen scheint, wenden Sie sich bitte innerhalb von 7 Tagen nach Erhalt der Ware an unser freundliches und hilfsbereites Kundenservice-Team.

**FÜR ALLE ANDEREN FRAGEN WENDEN SIE SICH BITTE AN
UNSER KUNDENSERVICE-TEAM.**



ESPECIFICACIONES

DESCRIPCIÓN DEL PRODUCTO

ESPECIFICACIONES DEL PRODUCTO

LISTA DE PIEZAS

ESPECIFICACIONES

CARACTERÍSTICAS DEL PRODUCTO

La responsabilidad de Monster Group UK Limited estará limitada únicamente al valor comercial del producto.

CONSEJOS DE SEGURIDAD

PRÁCTICAS DE TRABAJO SEGURAS

GUÍA DEL USUARIO

INSTRUCCIONES DE ENSAMBLAJE

GUÍA DEL USUARIO

MANTENIMIENTO

SOLUCIÓN DE PROBLEMAS

GUÍA DE RESOLUCIÓN

¿QUÉ PUEDO HACER SI LE FALTAN PIEZAS A MI PEDIDO?

Si parece faltar alguna pieza en su pedido, por favor, comuníquese con nuestro amable y servicial Equipo de Atención al Cliente en los 7 días posteriores a la recepción de su pedido.

**PARA CUALQUIER OTRO PROBLEMA, POR FAVOR CONTACTE
CON NUESTRO EQUIPO DE ATENCIÓN AL CLIENTE**



SPECIFICHE

DESCRIZIONE DEL PRODOTTO

SPECIFICHE DEL PRODOTTO

LISTA COMPONENTI

SPECIFICHE

CARATTERISTICHE DEL PRODOTTO

La responsabilità di Monster Group UK Limited sarà limitata al solo valore commerciale del prodotto.

CONSIGLI PER LA SICUREZZA

 PRATICHE DI LAVORO SICURO

GUIDA UTENTE

ISTRUZIONI PER IL MONTAGGIO

GUÍA DEL USUARIO

MANTENIMIENTO

RISOLUZIONE DEI PROBLEMI

GUIDA ALLA RISOLUZIONE DEI PROBLEMI

COSA DEVO FARE SE NEL MIO ORDINE CI SONO DELLE PARTI MANCANTI?

Se sembra che all'interno del tuo ordine manchino delle parti, contatta il nostro gentile e disponibile team di assistenza clienti entro 7 giorni dalla ricezione del tuo ordine.

**PER QUALUNQUE ALTRO PROBLEMA, CONTATTA IL NOSTRO
TEAM DI ASSISTENZA CLIENTI.**



OMSCHRIJVING

PRODUCT OMSCHRIJVING

PRODUCTSPECIFICATIES

ONDERDELENLIJST

SPECIFICATIE

PRODUCT SPECIFICATIE

De aansprakelijkheid van Monster Group UK Limited is beperkt tot de commerciële waarde van het product.

VEILIGHEIDSADVIIES

 VEILIG GEBRUIK

HANDLEIDING

MONTAGE-INSTRUCTIES

HANDLEIDING

ONDERHOUD

PROBLEEM OPLOSSEN

OPLOSSINGEN

WAT MOET IK DOEN ALS ER ONDERDELEN VAN MIJN BESTELLING ONTBREKEN?

Neem wanneer een onderdeel van je bestelling ontbreekt binnen 7 dagen na ontvangst contact op met onze vriendelijke en behulpzame klantenservice.

**NEEM VOOR ALLE ANDERE KWESTIES CONTACT
MET ONZE KLANTENSERVICE OP.**



SPECIFIKATION

PRODUKTBESKRIVNING

PRODUKTSPECIFIKATIONER

MEDFÖLJANDE DELAR

SPECIFIKATION

PRODUKTFUNKTIONER

SÄKERHETSÅD

 SÄKER ARBETSÖVNING

ANVÄNDARGUIDE

MONTERINGS INSTRUKTIONER

BRUKSANVISNING

SKÖTSEL

FELSÖKNING

LÖSNINGSGUIDE

VAD GÖR JAG OM DET SAKNAS DELAR FRÅN MIN BESTÄLLNING?

Om det verkar som om någon del saknas i din beställning, kontakta vårt vänliga och hjälpsamma kundsupportteam inom 7 dagar efter mottagandet.

**FÖR ALLA ANDRA FRÅGOR, VÄNLIGEN KONTAKTA VÅRT
KUNDSUPPORTTEAM.**

Monster Group (UK) is one of the UK's fastest growing online retailers. We supply a diverse range of products which offer exceptional value for money. We strive to provide the best possible customer experience with free UK delivery across all our products and a Monster Guarantee for 100% satisfaction.

For information regarding this device or other products from our Monster divisions please contact Sales.

SALES

TEL: 01347 878 888

EMAIL: hello@monstershop.co.uk

For queries about this device, warranty, returns or reporting faults please contact Support.

SUPPORT

TEL: 01347 878 887

EMAIL: help@monstershop.co.uk

Pour plus d'informations concernant cet appareil ou d'autres produits de nos divisions de Monster veuillez utiliser les détails suivants ci-dessous.

DÉPARTEMENT COMMERCIAL

TEL: 01347 878 888

EMAIL: bonjour@monstershop.eu

Pour les interrogations concernant cet appareil, la garantie, les retours ou les défauts de déclaration veuillez utiliser les détails suivants ci-dessous.

DÉPARTEMENT DE SOUTIEN

TEL: 01347 878 887

EMAIL: help@monstershop.co.uk

Para información sobre este dispositivo u otros productos de nuestras divisiones de Monster por favor use los siguientes detalles.

DEPARTAMENTO DE VENTAS

TEL: 01347 878 888

EMAIL: hola@monstershop.eu

Para consultas sobre este dispositivo, la garantía, devoluciones o denuncias de fallos por favor use los siguientes detalles.

DEPARTAMENTO DE SOPORTE

TEL: 01347 878 887

EMAIL: help@monstershop.co.uk

Für Informationen bezüglich dieses Geräts oder anderer produkte aus unserer Monster-Abteilung, benutzen sie die folgenden unten aufgeführten angaben.

VERKAUFABTEILUNG

TEL: 01347 878 888

EMAIL: hallo@monstershop.eu

Für fragen über dieses gerät, die garantie, rückgaben oder bei störungen, benutzen sie die folgenden unten aufgeführten angaben.

SUPPORT-ABTEILUNG

TEL: 01347 878 887

EMAIL: help@monstershop.co.uk

Per informazioni riguardanti questo dispositivo o altri prodotti dalle categorie Monster utilizzare i dettagli sotto riportati.

DIPARTIMENTO VENDITE

TEL: 01347 878 888

EMAIL: ciao@monstershop.eu

Per domande riguardo dispositivo, garanzia, reso o per riferire di guasti, utilizzare i dettagli sotto riportati.

DIPARTIMENTO SUPPORTO

TEL: 01347 878 887

EMAIL: help@monstershop.co.uk

Monster House, Alan Farnaby Way,
Sheriff Hutton Industrial Estate,
Sheriff Hutton, York, YO60 6PG
www.monstershop.co.uk



 Try **Monster**. Buy **Monster**. Be **Monster**. 