



T-Mech Mini Tracked Petrol Transporter

210929

INSTRUCTION MANUAL

www.monstershop.co.uk

SPECIFICATION

PRODUCT DESCRIPTION

Your new mini transporter will more than satisfy your expectations. It has been manufactured under stringent quality standards to meet superior performance criteria. You will find it's easy and safe to operate, and with proper care, it will give you many years of dependable service.

The four-speed gearbox, three forward and one reverse, lies at the heart of the unit. It is oversized so as to safely manage the huge torques generated by the engine. Thanks to its efficient reduction gearing, it is capable of moving around in every situation and bearing any load.

The Engine manufacturer is responsible for all engine-related issues with regards to performance, power rating, specifications, warranty and service. Please refer to the Engine manual section.

PRODUCT SPECIFICS

Engine	196cc 6.5HP
Fuel Type	Unleaded (95)
Transmission	3F + 1R
Load Capacity	300kg
Box Length	907-1004mm
Box Width	600-860mm
Box Depth	210mm
Track Width	180mm
Sound Power Level	103dB
Weight	178kg

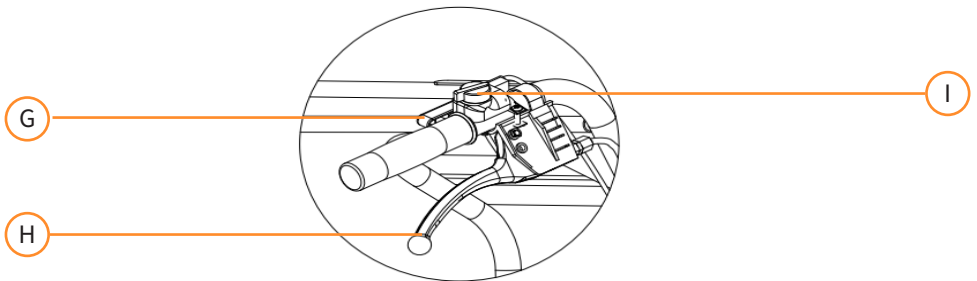
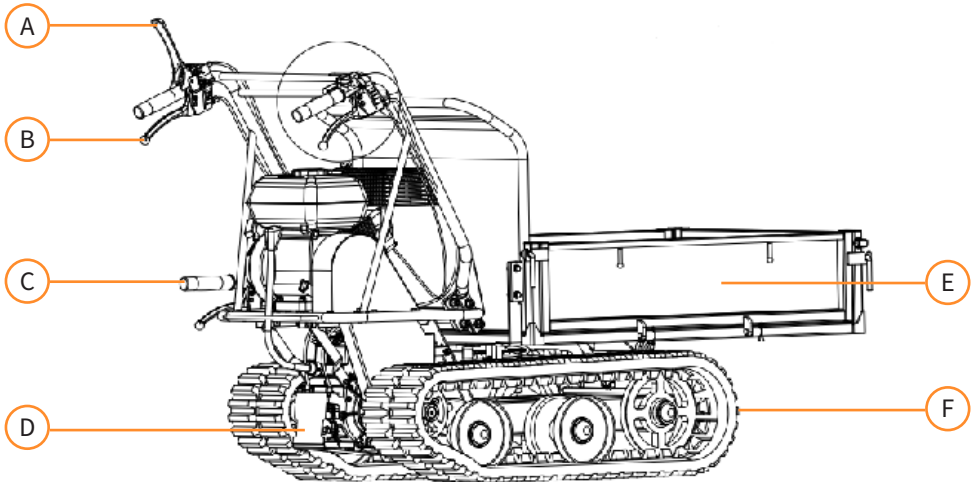
ITEM CONTENTS

Part No.	Description	Quantity
1	Main Frame	1
2	Handlebar Assembly	1
3	Tipping Handle	1
4	Dumper Box	1
5	Instruction Manual	1

SPECIFICATION

PRODUCT FEATURES

- A. Clutch Lever
- B. Left Steering Lever
- C. Tipping Handle
- D. Gearbox
- E. Dumper Box
- F. Track
- G. Throttle Lever
- H. Right Steering Lever
- I. On / Off Switch



Monster Group UK Limited's liability will be limited to the commercial value of the product only.

SAFETY ADVICE

SAFE WORKING PRACTICE



WARNING!

This machine must be used by over 18's only.

Understand your machine

- Read and understand the operator's manual and labels affixed to the machine. Learn its application and limitations as well as the specific potential hazards peculiar to it.
- Be thoroughly familiar with the controls and their proper operation. Know how to stop the machine and disengage the controls quickly.
- Make sure to read and understand all the instructions and safety precautions as outlined in the Engine Manual section.
- DO NOT attempt to operate the machine until you fully understand how to properly operate and maintain the engine and how to avoid accidental injuries and/or property damage.

Work area

- DO NOT start or run the machine inside a closed area. The exhaust fumes are dangerous, containing carbon monoxide, an odorless and deadly gas. Operate this unit only in a well-ventilated outdoor area.
- DO NOT operate the machine without good visibility or light.

Dress properly

- Wear heavy long pants, boots and gloves.
- DO NOT wear loose clothing, shorts and jewelry of any kind.
- Secure long hair so it is above shoulder level.
- Keep your hair, clothing and gloves away from moving parts.

SAFETY ADVICE

SAFE WORKING PRACTICE

Use safety equipment

- Always wear eye protection. Safety equipment such as a dust mask, hard hat, or hearing protection used for appropriate conditions will reduce personal injuries.
- Check your machine before starting it. Keep guards in place and in working order. Make sure all nuts, bolts, etc. are securely tightened.
- DO NOT operate the machine when it is in need of repair or is in poor mechanical condition. Replace damaged, missing or failed parts before using it. Check for fuel leaks. Keep the machine in safe working condition.
- DO NOT remove or tamper with safety devices. Check their proper operation regularly.
- DO NOT use the machine if the engine's switch does not turn it on or off. Any petrol powered machine that cannot be controlled with the engine switch is dangerous and must be replaced.
- Form a habit of checking to see that keys and adjusting wrenches are removed from machine area before starting it. A wrench or a key that is left attached to a rotating part of the machine may result in personal injury.
- Stay alert, watch what you are doing and use common sense when operating the machine.
- DO NOT overreach.
- DO NOT operate the machine while barefoot or when wearing sandals or similar lightweight footwear. Wear protective footwear that will protect your feet and improve your footing on slippery surfaces. Always keep proper footing and balance. This enables better control of the machine in unexpected situations.
- Avoid accidental starting. Be sure the engine is off before transporting the machine or performing any maintenance or service on the unit. Transporting or performing maintenance or service on a machine with engine on invites accidents.

SAFETY ADVICE

SAFE WORKING PRACTICE

Personal safety

- DO NOT operate the machine while under the influence of drugs, alcohol, or any medication that could affect your ability to use it properly.

Fuel safety

- Fuel is highly flammable, and its vapors can explode if ignited. Take precautions when using it to reduce the chance of serious personal injury.
- When refilling or draining the fuel tank, use an approved fuel storage container while in a clean, well-ventilated outdoor area.
- DO NOT smoke, or allow sparks, open flames or other sources of ignition near the area while adding fuel or operating the unit. Never fill the fuel tank indoors.
- Keep grounded conductive objects, such as tools, away from exposed, live electrical parts and connections to avoid sparking or arcing. These events could ignite fumes or vapors.
- Always stop the engine and allow it to cool before filling the fuel tank. Never remove the cap of the fuel tank or add fuel while the engine is running or when the engine is hot.
- DO NOT operate the machine with known leaks in the fuel system.
- Loosen the fuel tank cap slowly to relieve any pressure in the tank.
- Never over fill the fuel tank. Fill tank to no more than 12.5mm (1/2") below the bottom of the filler neck to provide space for expansion as the heat of the engine can cause fuel to expand.
- Replace all fuel tank and container caps securely and wipe up spilled fuel. Never operate the unit without the fuel cap securely in place.

SAFETY ADVICE

SAFE WORKING PRACTICE

- Avoid creating a source of ignition for spilled fuel. If fuel is spilled, do not attempt to start the engine but move the machine away from the area of spillage and avoid creating any source of ignition until fuel vapors have dissipated.
- Store fuel in containers specifically designed and approved for this purpose.
- Store fuel in a cool, well-ventilated area, safely away from sparks, open flames or other sources of ignition.
- Never store fuel or machine with fuel in the tank inside a building where fumes may reach a spark, open flame or other sources of ignition, such as a water heater, furnace, clothes dryer etc. Allow the engine to cool before storing in any enclosed area.

Machine use and care

- Position the machine in such a way that it cannot move during maintenance, cleaning, adjustment, assembly of accessories or spare parts, as well as under storage.
- DO NOT force the machine. Use the correct machine for your application. The correct machine will do the job better and safer at the rate for which it was designed.
- DO NOT change the engine governor settings or over-speed the engine. The governor controls the maximum safe operating speed of the engine.
- DO NOT run the engine at a high speed when you are not working.
- DO NOT put hands or feet near rotating parts.
- Avoid contact with hot fuel, oil, exhaust fumes and hot surfaces.
- DO NOT touch the engine or exhaust. These parts get extremely hot. They remain hot for a short time after you turn off the machine. Allow the engine to cool before doing maintenance or making adjustments.

SAFETY ADVICE

SAFE WORKING PRACTICE

- If the machine should start to make an unusual noise or vibration, immediately shut off the engine, disconnect the spark plug wire and check for the cause. Unusual noise or vibration is generally a warning of trouble.
- Use only attachments and accessories approved by the manufacturer. Failure to do so can result in personal injury.
- Maintain the machine. Check for misalignment or binding of moving parts, breakage of parts and any other condition that may affect the machine's operation. If damaged, have the machine repaired before use. Many accidents are caused by poorly maintained equipment.
- Keep the engine and exhaust free of grass, leaves, excessive grease or carbon build up to reduce the chance of a fire hazard.
- Never douse or squirt the unit with water or any other liquid. Keep handles dry, clean and free from debris. Clean after each use.
- Observe proper disposal laws and regulations for petrol, oil, etc. to protect the environment.
- Store the machine out of reach of children and do not allow people unfamiliar with the machine or these instructions to operate it. The machine is dangerous in the hands of untrained users.

Service

- Before cleaning, repairing, inspecting or adjusting, shut off the engine and make certain all moving parts have stopped. Disconnect the spark plug wire and keep the wire away from the plug to prevent accidental starting.
- Have your machine serviced by qualified repair personnel using only identical replacement parts. This will ensure that the safety of the machine is maintained.

SAFETY ADVICE

SAFE WORKING PRACTICE

- Thoroughly inspect the area to be worked, keep the working area clean and free of debris to prevent tripping. Operate on flat level ground.
- NEVER place any part of your body where it would be in danger if movement should occur during assembly, installation, and operation, maintenance, repairing or moving.
- Keep all bystanders, children, and pets at least 23m (75 feet) away. If you are approached, stop the unit immediately.
- DO NOT climb on dump box and never carry passengers.
- NEVER park the machine on unstable ground which could give way, particularly when it is full.
- Disengage clutch lever before starting the engine.
- Start the engine carefully according to instructions and with your feet well away from the moving parts.
- NEVER leave the operating position when the engine is running.
- Always hold the unit with both hands when operating. Keep a firm grip on the handlebars. Be aware that the machine may unexpectedly bounce upward or jump forward if the machine should strike buried obstacles such as large stones.
- Walk, never run with the machine.
- DO NOT overload the machine capacity.
- Drive at a safe speed, adjusting the speed to the slope of the land, the surface conditions of the road, and the weight of the load.
- Use extreme caution when in reverse or pulling the machine towards you.

SAFETY ADVICE

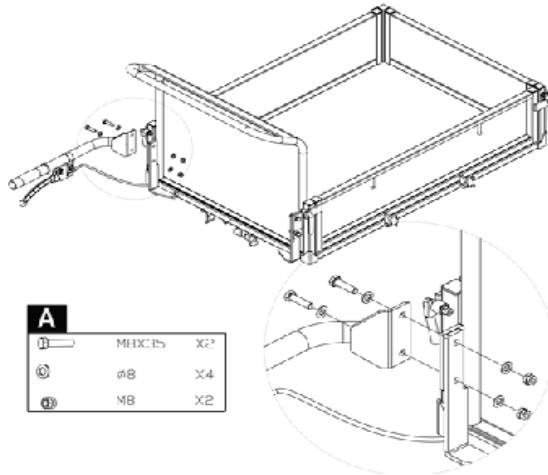
SAFE WORKING PRACTICE

- Exercise extreme caution when operating on or crossing gravel drives, walks, or roads. Stay alert for hidden hazards or traffic.
- On soft ground, drive at the first forward/reverse gear.
- DO NOT rapidly accelerate, turn sharply or stop.
- Pay the utmost attention when working on frozen ground as the machine may tend to skid.
- If possible, avoid driving on pebbly riverbed, crushed stone terrains, steel concrete, stumpy fields, logs etc., since such operation causes fatal damage or shortens life span of tracks.
- DO NOT operate the machine in confined areas where there may be a risk of crushing the operator between the machine and another object.
- NEVER operate the machine on slopes where the angle is over 20°.
- When moving over a slope, whether moving forward or in reverse, always make certain that the weight is evenly balanced. Always move in directions parallel with the slope (up or down). To avoid danger, do not shift gears on slopes.
- When tipping the load from a dumper, the center of gravity will change continuously, and the ground conditions will be essential for the stability of the machine. There are special hazards for dumpers working on soft ground and when the load is sticking to body e.g. wet clay.

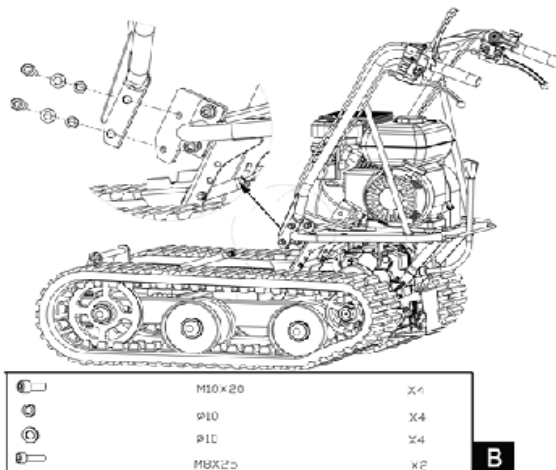
USER GUIDE

ASSEMBLY INSTRUCTIONS

- Mount the tipping handle on panel right side. Align holes and fasten with two M8x35 hex bolts, four washers and two nuts.



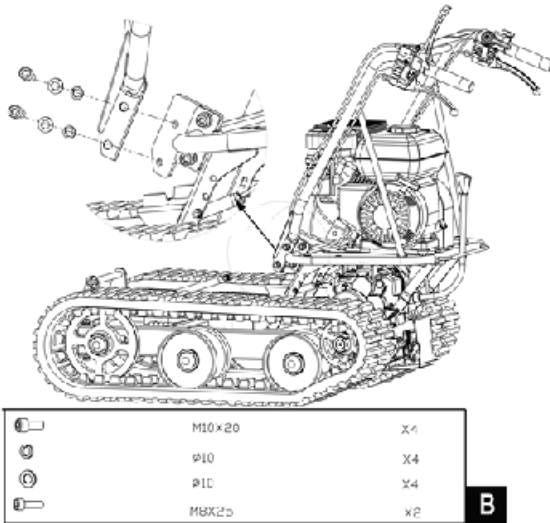
- Align the holes of the handlebar with the mount bracket and secure each with a spring washer, flat washer and a M10x20 bolt. Fasten each handlebar support onto the engine deck with a spring washer, flat washer and a M8x25 hex bolt.



USER GUIDE

ASSEMBLY INSTRUCTIONS

- Position the bottom panel inside the mounting bracket. Align the holes with the mounting bracket. Insert a long pin through holes and secure each side with a flat washer and cotter pin.



Engine oil



WARNING!

Oil has been drained for shipping. Failure to fill engine sump with oil before starting engine will result in permanent damage and will void engine warranty.

Add oil according to Engine Manual section on page 38.

USER GUIDE

OPERATING INSTRUCTIONS

Starting Engine

A more detailed description of the engine operation and all related precautions and procedures can be found in the Engine Manual from page 25 with this manual.

Follow the procedure below for cold starts:

- Put the gear shift lever in neutral position
- Turn the choke lever on the engine to full choke position.
- Turn the engine switch on.
- Pull the starting rope slowly several times to allow the petrol to flow into the engine's carburetor. Then hold the start handle firmly and pull rope out a short distance until you feel some resistance. Then pull the rope smoothly and briskly, and allow rope to return gently. Do not let the rope snap back. If necessary, pull the rope several times until the engine starts.
- Allow the engine to run for several seconds to warm up. Then, gradually move chock lever to "OPEN" position.



WARNING!

Please let the engine warm up for a few seconds before engaging a gear.

Restarting an engine that is already warm from previous running does not normally require use of the choke.

- Set the throttle lever on the handlebar at half- way position.
- Hold the start handle firmly and pull rope out a short distance until you feel some resistance. Then pull the rope smoothly and briskly and allow rope to return gently. Do not let the rope snap back

USER GUIDE

OPERATING INSTRUCTIONS

- After the engine has warmed up, slowly squeeze the clutch control lever, then engage the required gear, if the gear does not engage straight away, slowly release the clutch lever and try again. In this way the mini dumper will start moving.
- Pull throttle lever to accelerate engine speed.
- The mini dumper has steering levers on the handlebars and this makes steering very easy. To turn right or left, simply operate the corresponding right or left steering lever.
- The sensitivity of the steering increases in proportion to the speed of the machine and that with the empty machine, light pressure on the lever is all that is needed to turn. While when the machine is loaded, more pressure is required.
- The mini dumper has a maximum capacity of 300kg, however, it is advisable to assess the load and adjust it according to the ground on which the machine will be used.
- Never Load more than 300kg
- It is therefore advisable to cover such stretches using low gear and taking extra care. In such situations, the machine should be kept in low gear for the whole stretch.
- Avoid sharp turns and frequent changes of direction while driving on the road, particularly on rough, hard terrains full of sharp, uneven points with a high degree of friction.
- Even though the unit has rubber tracks, remember to be careful when working in adverse weather conditions (ice, heavy rain and snow) or on types of ground that could make the mini dumper unstable.
- Please note that as this is a tracked vehicle, it is subject to a considerable pitching movement when passing over bumps, holes and steps.
- When the clutch control lever is released, the machine will stop and brake automatically, throttle lever will be disabled.
- If the machine is stopped on a steep slope, a wedge should be placed against one of the tracks.

USER GUIDE

OPERATING INSTRUCTIONS

Idle speed

Set throttle control lever to its “SLOW” position to reduce stress on the engine when working is not being performed. Lowering the engine speed to idle the engine will help extend the life of the engine, as well as conserve fuel and reduce the noise level of the machine.

Stopping engine

To stop the engine in an emergency, release the clutch control lever, then turn the engine switch to the “OFF” position. Under normal conditions, use the following procedure:

- Move the throttle lever to the “SLOW” position.
- Let the engine idle for one or two minutes.
- Turn the engine switch to the “OFF” position.
- Turn the fuel valve lever to the “OFF” position.



WARNING!

DO NOT move choke control to CHOKE to stop engine. Backfire or engine damage may occur.

USER GUIDE

MAINTENANCE

Proper maintenance and lubrication will help the machine in a perfect working condition.

Preventive maintenance

- Turn off engine and disengage all control levers. The engine must be cool.
- Inspect the general condition of the unit. Check for loose screws, misalignment or binding of moving parts, cracked or broken parts, and any other condition that may affect its safe operation.
- Remove all debris and other materials that may have accumulated to the track and unit. Clean after each use. Then use a premium quality lightweight machine oil to lubricate all moving parts.



WARNING!

Never use a “pressure washer” to clean your unit. Water can penetrate tight areas of the machine and its transmission case and cause damage to spindles, gears, bearings, or the engine. The use of pressure washers will result in shortened life and reduce serviceability.

Adjusting clutch

As clutch wears out, the same lever could have a wider opening, being so uneasy to use. This means that it is necessary to adjust the cable, setting clutch lever on its original position acting on the adjustment device and on counter-nut.

Adjusting steering

If you have difficulty steering the unit, you will need to adjust the steering levers with the special adjusters. Slacken off the locknut and unscrew the adjusters to eliminate the play in the cable, which can occur after initial use or normal wear. Be very careful not to unscrew the adjusters too much because this can create another problem: the loss of traction. Remember to tighten the locknut when you have finished.

USER GUIDE

MAINTENANCE

Lubrication

The gearbox is pre-lubricated and sealed at the factory.

Check oil level every 50 hours of working. Remove the plug and check, with machine horizontal, oil reaches the two notches. If necessary, add the oil.

Use portable tool lithium #0 grease such as Lubriplate 630AA, Lubriplate GR-132, or Multifak, e.g. EP-O.

Oil must be replaced when hot by unscrewing the filler cap and plug equipped with an oil dipstick. When oil is completely drained, replace filler cap and fill up with new oil.

Tightening tracks

With use, tracks tend to loosen. When operating with loose tracks, they tend to slip over the driving wheel causing it to jump its housing or to work in precarious situations, thus damaging wear to the housing.

To check track tightness, proceed as follows.

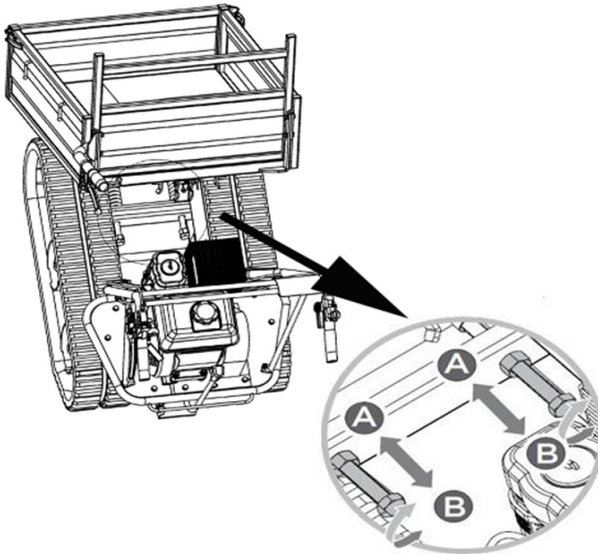
- Set the machine on a flat surface with compact ground, better on asphalt or stone pavement.
- Lift the machine and set it on blocks or supports rated for the weight of the machine so that the tracks are approximately 100mm off the ground.
- Measure the track midline vs. the horizontal line. The reading must not be more than 10-15mm.

USER GUIDE

MAINTENANCE

If the distance is greater, proceed as follows.

- Use the tipping handle to tip the dump box and set it on blocks or supports rated for the weight of the box.



- Loosen locknut 'A'.
- Tighten bolt 'B' until the correct tightness is restored.
- Secure bolt 'B' by tightening locknut 'A' thoroughly.
- Return the dump box to its original position.



WARNING!

The adjustment of the track and the brakes are linked, therefore be very careful because if the track is over-tightened, the braking effect will be lost.



WARNING!

If the adjustment bolt has no more adjustment left, the tracks may have to be replaced.

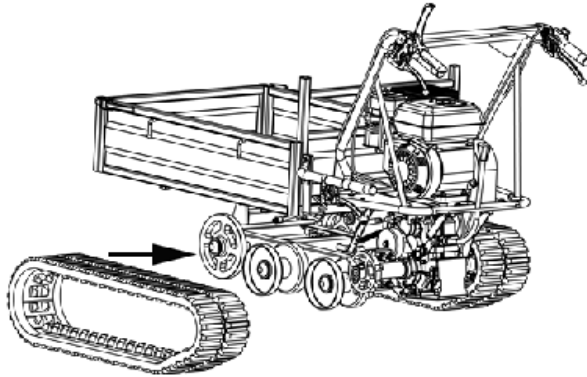
USER GUIDE

MAINTENANCE

Replacing tracks

Check the condition of the tracks periodically. If a track is cracked or frayed, it should be replaced as soon as convenient.

- Loosen the Locknut 'A' and bolt 'B' shown in 'Tightening tracks' to loosen tracks



- Slip the old tracks and install the new tracks
- Adjust bolt 'B' to assure correct tightness
- Secure bolt 'B' by tightening locknut 'A' thoroughly



WARNING!

When removing or installing the tracks, be careful not to trap fingers between the track and pulley.

USER GUIDE

MAINTENANCE

Engine maintenance

Refer to the Engine Manual included within this manual for the information on engine maintenance. The engine manual section provides detailed information and a maintenance schedule for performing the tasks.

If the mini dumper will not be used for a period longer than 30 days, follow the steps below to prepare your unit for storage.

- Drain the fuel tank completely. Stored fuel containing ethanol or MTBE can start to go stale in 30 days. Stale fuel has high gum content and can clog the carburetor and restrict fuel flow.
- Start the engine and allow it to run until it stops. This ensures no fuel is left in the carburetor. Run the engine until it stops. This helps prevent gum deposits from forming inside the carburetor and possible engine damage.
- While the engine is still warm, drain the oil from the engine. Refill with fresh oil of the grade recommended on page 40.
- Use clean cloths to clean off the outside of the machine and to keep the air vents free of obstructions.



WARNING!

DO NOT use strong detergents or petroleum based cleaners when cleaning plastic parts. Chemicals can damage plastics.

- Inspect for any loose or damaged parts. Repair or replace damaged parts and tighten loose screws, nuts or bolts.
- Store your unit on flat ground in a clean, dry building that has good ventilation.



WARNING!

DO NOT store the machine with fuel in a nonventilated area where fuel fumes may reach flame, sparks, pilot lights or any ignition sources.

TROUBLESHOOTING

RESOLUTION GUIDE

WHAT DO I DO IF THERE ARE MISSING PARTS FROM MY ORDER?

If there appears to be any part missing from your order, contact our friendly and helpful Customer Support Team within 7 days of receipt.

Problem	Cause	Remedy
Engine fails to start	<ol style="list-style-type: none"> 1. Spark plug wire disconnected 2. Out of fuel. 3. Choke not in open position. 4. Blocked fuel line. 5. Fouled spark plug. 6. Engine flooding. 	<ol style="list-style-type: none"> 1. Attach spark plug wire securely to spark plug. 2. Fill with clean, fresh gasoline. 3. The throttle must be positioned at choke for a cold start. 4. Clean the fuel line. 5. Clean, adjust gap, or replace. 6. Wait a few minutes to restart, but do not prime.
Engine runs erratically.	<ol style="list-style-type: none"> 1. Spark plug wire loose. 2. Unit running on CHOKE. 3. Blocked fuel line or stale fuel. 4. Vent plugged. 5. Water or dirt in fuel system. 6. Dirty air cleaner. 7. Improper carburetor adjustment. 	<ol style="list-style-type: none"> 1. Connect and tighten spark plug wire. 2. Move choke lever to "OFF". 3. Clean fuel line. Fill tank with clean, fresh petrol. 4. Clear vent. 5. Drain fuel tank. Refill with fresh fuel. 6. Clean or replace air cleaner. 7. Refer to Engine Manual.

TROUBLESHOOTING

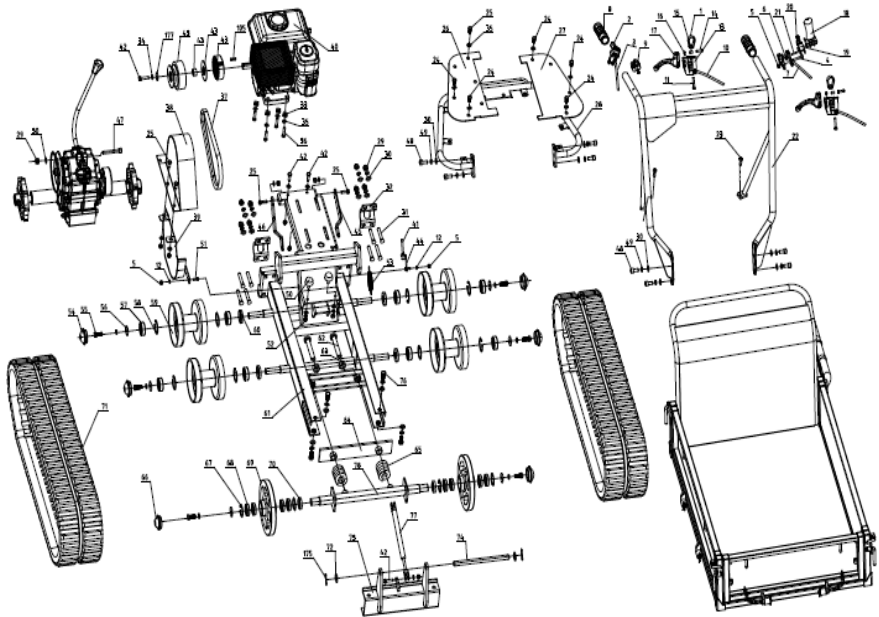
RESOLUTION GUIDE

Problem	Cause	Remedy
Engine overheats	<ol style="list-style-type: none">1. Engine oil level low.2. Dirty air cleaner.3. Air flow restricted.4. Carburetor not adjusted properly.	<ol style="list-style-type: none">1. Fill the crankcase with proper oil.2. Clean air cleaner.3. Remove housing and clean.4. Refer to Engine Manual on page 28.
One of the two tracks is blocked.	Foreign bodies have worked their way between the track and the frame.	Remove the foreign body.
Machine does not move while engine is running.	<ol style="list-style-type: none">1. Gear is not properly selected.2. Driving tracks not tight enough.	<ol style="list-style-type: none">1. Ensure gear lever is not in between two different gears.2. Tighten driving tracks

**FOR ALL OTHER ISSUES, PLEASE CONTACT OUR
CUSTOMER SUPPORT TEAM.**

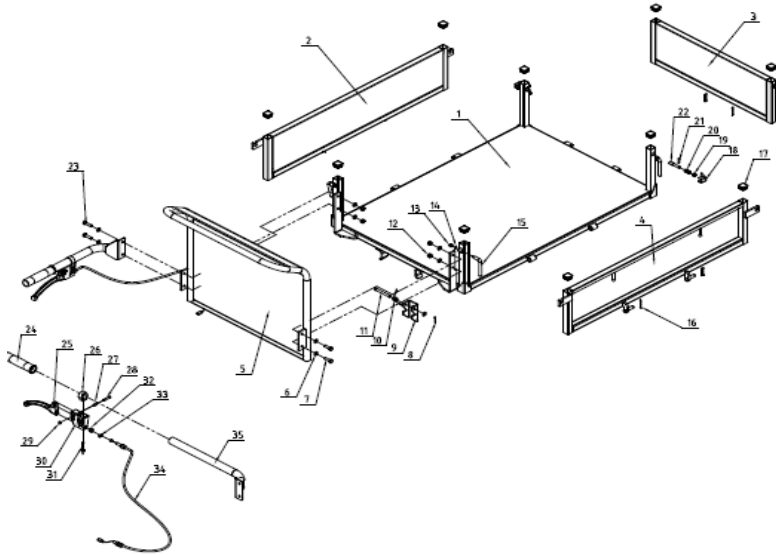
PARTS BREAKDOWN

TRANSPORTER PARTS

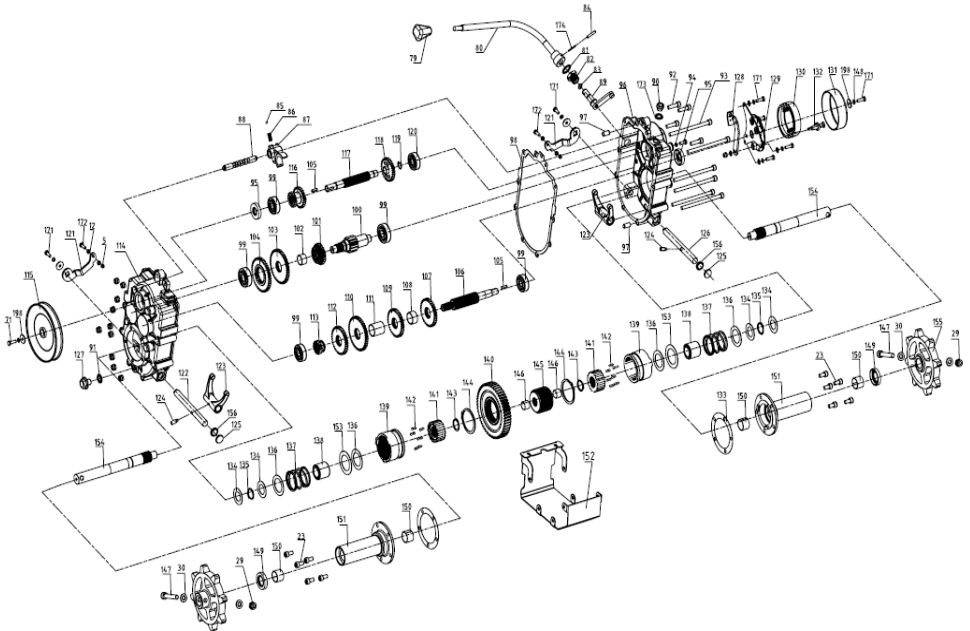


PARTS BREAKDOWN

DUMPER BOX



GEAR BOX



USER GUIDE

ENGINE MANUAL

ENGINE SAFETY

IMPORTANT SAFETY INFORMATION

Most accidents with engines can be prevented if you follow all instructions in this manual and on the engine. Some of the most common hazards are discussed below, along with the best way to protect yourself and others.

OWNER RESPONSIBILITIES

The engines are designed to give safe and dependable service if operated according to instructions. Read and understand this owner's manual before operating the engine. Failure to do so could result in personal injury or equipment damage.

Know how to stop the engine quickly and understand the operation of all controls.

NEVER permit anyone to operate the engine without proper instructions.

DO NOT allow children to operate the engine. Keep children and pets away from the area of operation.

REFUEL WITH CARE

Petrol is extremely flammable and petrol vapor can explode. Refuel outdoors, in a well-ventilated area, with the engine stopped.

NEVER smoke near petrol and keep other flames and sparks away. Always store petrol in an approved container. If any fuel is spilt, make sure the area is dry before starting the engine.

CARBON MONOXIDE HAZARD

Exhaust gas contains poisonous carbon monoxide. Avoid inhalation of exhaust gas.

NEVER run the engine in a closed garage or confined area.

USER GUIDE

ENGINE MANUAL

HOT EXHAUST

The exhaust becomes very hot during operation and remains hot for a while after stopping the engine. Be careful not to touch the exhaust while it is hot. Let the engine cool before storing it indoors.

To prevent fire hazards and to provide adequate ventilation for stationary equipment applications, keep the engine at least 3 feet (1 meter) away from building walls and other equipment during operation. DO NOT place flammable objects close to the engine.

OTHER EQUIPMENT

Review the instructions provided with the equipment powered by this engine for any additional safety precautions that should be observed in conjunction with engine start-up, shutdown, operation, or protective apparel that may be needed to operate the equipment.

ENGINE CAPACITIES

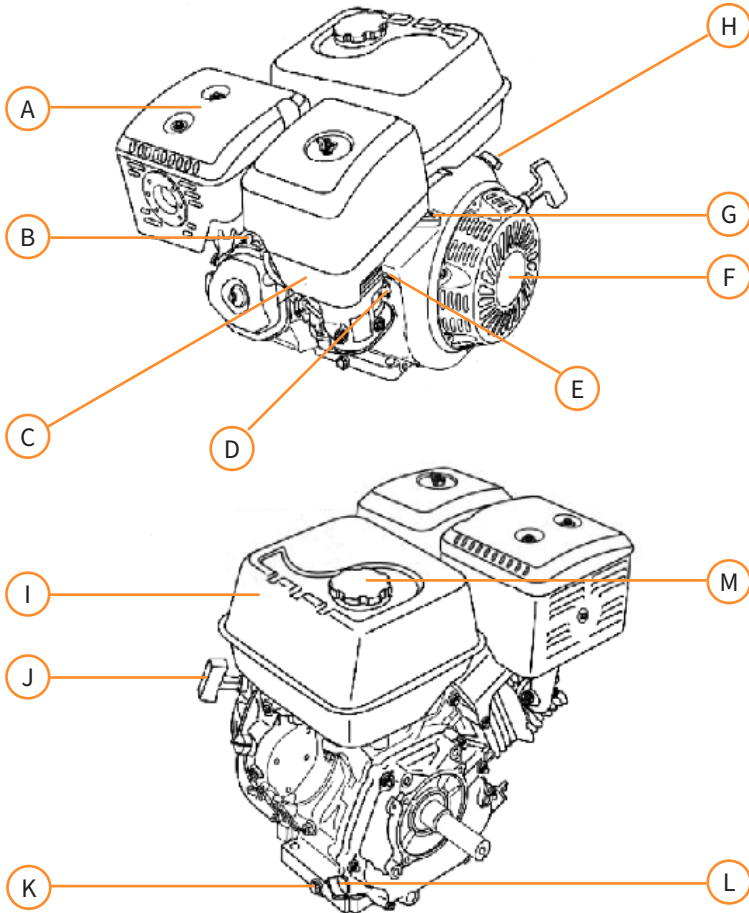
Fuel tank capacity G200F	3.8 litres
Oil Capacity	0.6 litres
Engine Oil	10W-30

COMPONENTS & CONTROL LOCATIONS

- A. EXHAUST
- B. SPARK PLUG
- C. AIR CLEANER
- D. FUEL VALVE
- E. CHOKE
- F. RECOIL STARTER
- G. THROTTLE
- H. IGNITION SWITCH
- I. FUEL TANK
- J. STARTER GRIP
- K. OIL DRAIN PLUG
- L. OIL FILTER CAP / DIPSTICK
- M. FUEL TANK CAP

USER GUIDE

ENGINE MANUAL



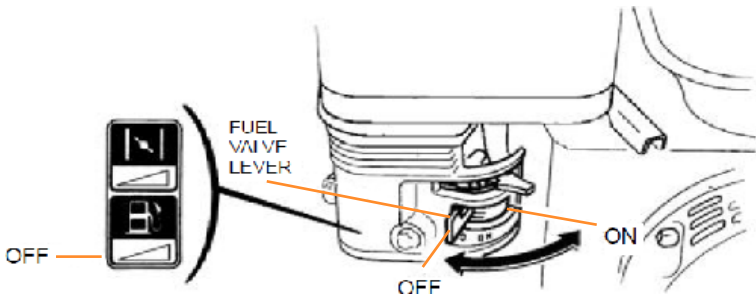
USER GUIDE

ENGINE MANUAL

CONTROLS

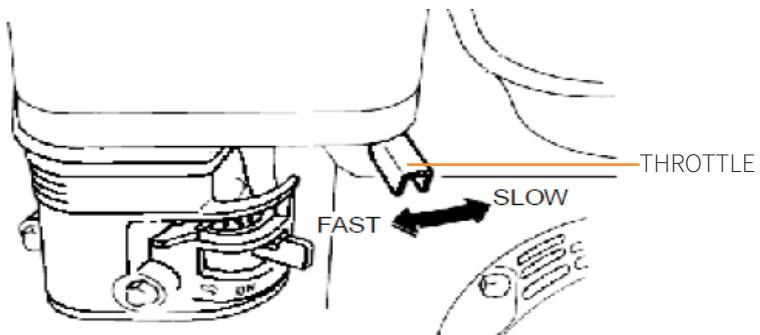
FUEL VALVE LEVER

The fuel valve opens and closes the passage between the fuel tank and the carburetor. The fuel valve lever must be in the ON position for the engine to run. When the engine is not in use, leave the fuel valve lever in the OFF position to prevent carburetor flooding and to reduce the possibility of fuel leakage.



THROTTLE LEVER

The throttle lever controls engine THROTTLE speed. Moving the throttle lever in the directions shown makes the engine run faster or slower.

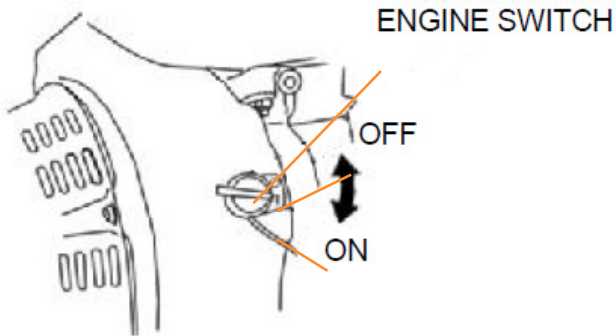


USER GUIDE

ENGINE MANUAL

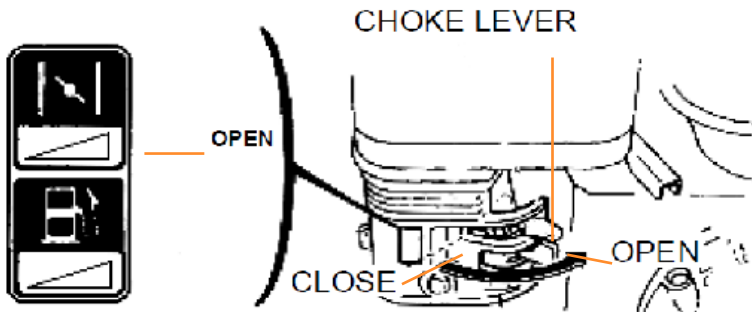
ENGINE SWITCH

The engine switch enables and disables the ignition system.
The engine switch must be in the ON position for the engine to run.
Turning the engine switch to the OFF position stops the engine.



CHOKE LEVER

The choke lever opens and closes the choke valve in the carburetor.
The CLOSE position enriches the fuel mixture for starting a cold engine.
The OPEN position provides the correct fuel mixture for operation after starting and for restarting a warm engine.
Some engine applications use a remotely mounted choke control rather than the engine-mounted choke lever shown here.

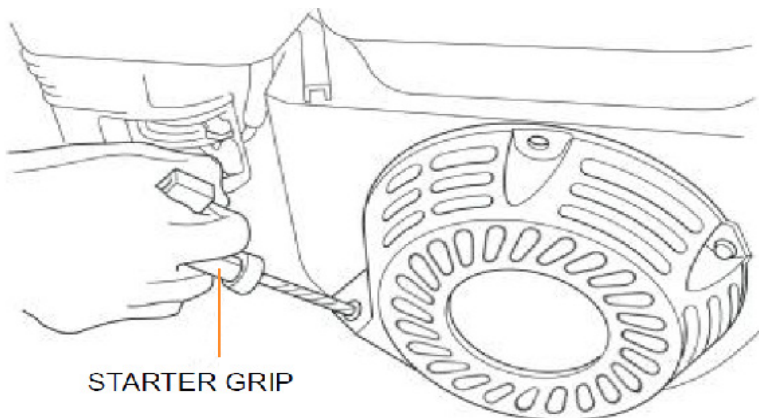


USER GUIDE

ENGINE MANUAL

RECOIL STARTER GRIP

Pulling the starter grip operates the recoil starter to crank the engine.



CHECK BEFORE OPERATION

IS YOUR ENGINE READY TO GO?

For your safety, and to maximize the service life of your equipment, it is very important to take a few moments before you operate the engine to check its condition. Be sure to take care of any problem you find or have your servicing dealer correct it before you operate the engine.



WARNING!

Improperly maintaining this engine, or failing to correct a problem before operation, could cause a malfunction in which you could be seriously injured.

Always perform a preoperation inspection before each operation, and correct any problem.

Before beginning your preoperation checks, be sure the engine is level and the engine switch is in the OFF position.

USER GUIDE

ENGINE MANUAL

CHECK THE GENERAL CONDITION OF THE ENGINE

- Look around and underneath the engine for signs of oil or petrol leaks.
- Remove any excessive dirt or debris, especially around the exhaust and recoil starter.
- Look for signs of damage.
- Check that all shields and covers are in place, and all nuts, bolts, and screws are tightened.

CHECK THE ENGINE

- Check the engine oil level. Running the engine with a low oil level can cause engine damage.
- The Oil Alert system (applicable engine types) will automatically stop the engine before the oil level falls below safe limits. However, to avoid the inconvenience of an unexpected shutdown, always check the engine oil level before startup.
- Check the air filter. A dirty air filter will restrict air flow to the carburetor, reducing engine performance.
- Check the fuel level. Starting with a full tank will help to eliminate or reduce operating interruptions for refueling.

CHECK THE EQUIPMENT POWERED BY THIS ENGINE

- Review the instructions provided with the equipment powered by this engine for any precautions and procedures that should be followed before engine startup.

USER GUIDE

ENGINE MANUAL

SAFE OPERATING PRECAUTIONS

Before operating the engine for the first time, please review the IMPORTANT SAFETY INFORMATION and the chapter titled BEFORE OPERATION.



WARNING!

Carbon monoxide gas is toxic. Breathing it can cause unconsciousness and even kill you.

Avoid any areas or actions that expose you to carbon monoxide.

Review the instructions provided with the equipment powered by this engine for any safety precautions that should be observed in conjunction with engine startup, shutdown, or operation.

STARTING THE ENGINE

- Move the fuel valve lever to the ON position.
- To start a cold engine, move the choke lever to the CLOSE position. To restart a warm engine, leave the choke lever in the OPEN position.
- Move the throttle lever away from the SLOW position, about 1/3 of the way toward the FAST position.
- Turn the engine switch to the ON position.
- Pull the starter grip lightly until you feel resistance, then pull briskly. Return the starter grip gently.
- If the choke lever has been moved to the CLOSE position to start the engine, gradually move it to the OPEN position as the engine warms up.

USER GUIDE

ENGINE MANUAL

STOPPING THE ENGINE

To stop the engine in an emergency, simply turn the engine switch to the OFF position. Under normal conditions, use the following procedure.

- Move the throttle lever to the SLOW position.
- Turn the engine switch to the OFF position.
- Turn the fuel valve lever to the OFF position.

SETTING ENGINE SPEED

- Position the throttle lever for the desired engine speed.
- Some engine applications use a remotely mounted throttle control rather than the engine-mounted throttle lever shown here.
- For engine speed recommendations, refer to the instructions provided with the equipment powered by this engine.

USER GUIDE

ENGINE MAINTENANCE

MAINTENANCE

Good maintenance is essential for safe, economical, and trouble-free operation. It will also help reduce air pollution.



WARNING!

Failure to properly follow maintenance instructions and precautions can cause you to be seriously hurt or killed. Always follow the procedures and precautions in the owner's manual.

To help you properly care for your engine, the following pages include a maintenance schedule, routine inspection procedures, and simple maintenance procedures using basic hand tools.

Other service tasks that are more difficult, or require special tools, are best handled by professionals and are normally performed by a technician or other qualified mechanic.

The maintenance schedule applies to normal operating conditions. If you operate your engine under unusual conditions, such as sustained high-load or high-temperature operation, or use it in unusually wet or dusty conditions, consult your servicing dealer for recommendations applicable to your individual needs and use.

SAFETY PRECAUTIONS

Make sure the engine is off before you begin any maintenance or repairs. This will eliminate several potential hazards:

- Carbon monoxide poisoning from engine exhaust. Be sure there is adequate ventilation whenever you operate the engine.
- Burns from hot parts. Let the engine and exhaust system cool before touching.
- Injury from moving parts. DO NOT run the engine unless instructed to do so.

USER GUIDE

ENGINE MAINTENANCE

Read the instructions before you begin, and make sure you have the tools and skills required.

To reduce the possibility of fire or explosion, be careful when working around gasoline. Use only a nonflammable solvent, not petrol, to clean parts. Keep cigarettes, sparks and flames away from all fuel-related parts.

To ensure the best quality and reliability, use only new, genuine parts or their equivalents for repair and replacement.

REGULAR SERVICE PERIOD Performed at every indicated month operating hour interval, whichever comes first		Each use	First month or 20 Hrs	Every 3 months or 50 hrs	Every 6 months or 100 hrs	Every year or 300 hrs
Engine Oil	Check Level	0				
	Change		0		0	
Air Cleaner	Check	0		0(1)		
	Clean					
Sediment Cup	Replace					0
	Clean				0	
Sprak Plug	Check/Clean				0	
	Replace					0
Idle Speed	Check/Adjust					0(2)
Valve Clearance	Check/Adjust					0(2)
Fuel Tank Strainer	Clean					0(2)
Combustion Chamber	Clean	After every 300 hrs (2)				
Fuel Line	Check	Every 2 years (Replace in necessary)(2)				

★ Replace the paper element type only.

(1) Service more frequently when used in dusty areas.

(2) These items should be serviced by your servicing dealer unless you have the proper tools and are mechanically proficient. Refer to manual for service procedures.

USER GUIDE

ENGINE MAINTENANCE

REFUELLING

Fuel tank capacity G200F: 3.8 litres

With the engine stopped, remove the fuel tank cap and check the fuel level. Refill the tank if the fuel level is low.

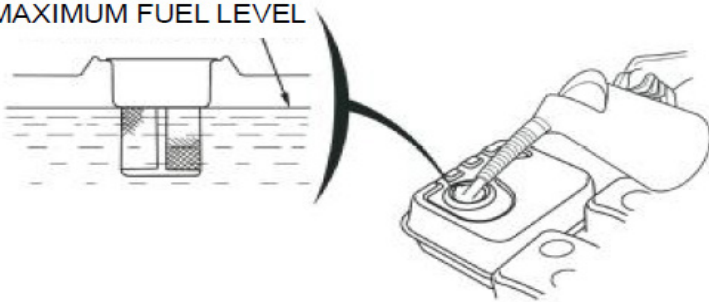


WARNING!

Petrol is highly flammable and explosive. You can be burned or seriously injured when handling fuel.

- Stop the engine and keep heat, sparks, and flame away.
- Handle fuel only outdoors.
- Wipe up spills immediately.

MAXIMUM FUEL LEVEL



Refuel in a well-ventilated area before starting the engine. If the engine has been running, allow it to cool. Refuel carefully to avoid spilling fuel. Do not fill above the fuel strainer shoulder. After refueling, tighten the fuel tank cap securely.

NEVER refuel the engine inside a building where petrol fumes may reach flames or sparks. Keep petrol away from appliance pilot lights, barbecues, electric appliances, power tools, etc.

Spilled fuel is not only a fire hazard, it causes environmental damage. Wipe up spills immediately.

USER GUIDE

ENGINE MAINTENANCE

FUEL RECOMMENDATIONS

Use unleaded petrol with a pump rating E10.

These engines are certified to operate on unleaded petrol. Unleaded petrol produces fewer engine and spark plug deposits and extends exhaust system life.

NEVER use stale or contaminated petrol or an oil/petrol mixture. Avoid getting dirt or water in the fuel tank.

Occasionally you may hear a light “spark knock” or “pinging” (metallic rapping noise) while operating under heavy loads. This is no cause for concern.

If spark knock or pinging occurs at a steady engine speed, under normal load, change brands of petrol. If spark knock or pinging persists, see an authorised servicing dealer.

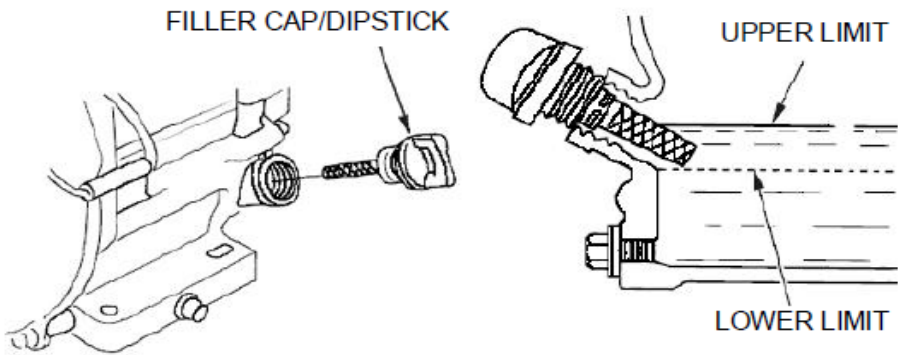
USER GUIDE

ENGINE MAINTENANCE

ENGINE OIL LEVEL CHECK

Check the engine oil level with the engine stopped and in a level position.

- Remove the filler cap/dipstick and wipe it clean.



- Insert and remove the dipstick without screwing it into the filler neck. Check the oil level shown on the dipstick.
- If the oil level is low, fill to the edge of the oil filler hole with the recommended oil.
- Screw in the filler cap/dipstick securely.

Running the engine with a low oil level can cause engine damage.

USER GUIDE

ENGINE MAINTENANCE

ENGINE OIL CHANGE

Drain the used oil while the engine is warm. Warm oil drains quickly and completely.

- Place a suitable container below the engine to catch the used oil, and then remove the filler cap/dipstick and the drain plug.
- Allow the used oil to drain completely, and then reinstall the drain plug, and tighten it securely.

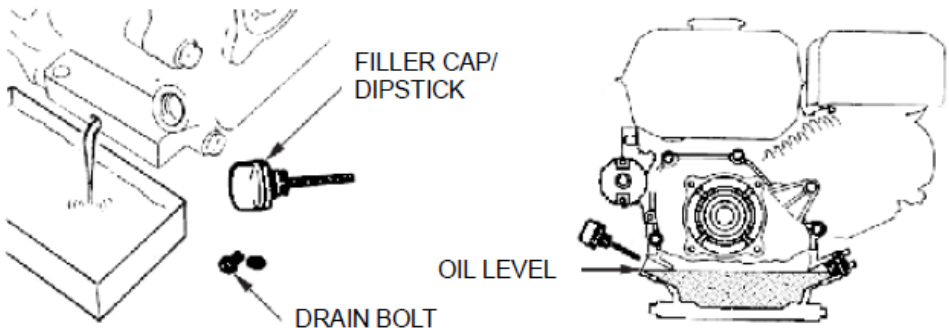
Please dispose of used motor oil in a manner that is compatible with the environment. We suggest you take used oil in a sealed container to your local recycling center. DO NOT throw it in the bin, pour it on the ground or down a drain.

- With the engine in a level position, fill to the outer edge of the oil filler hole with the recommended oil.
- Screw in the filler cap/dipstick securely.

Running the engine with a low oil level can cause engine damage.

The Oil Alert system (applicable engine types) will automatically stop the engine before the oil level falls below the safe limit.

However, to avoid the inconvenience of an unexpected shutdown, fill to the upper limit, and check the oil level regularly.



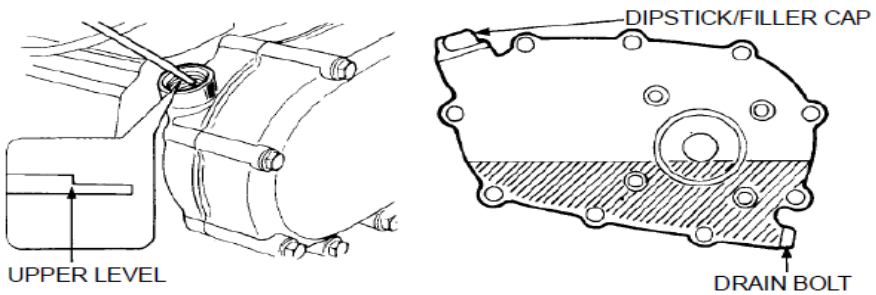
USER GUIDE

ENGINE MAINTENANCE

REDUCTION GEAR OIL

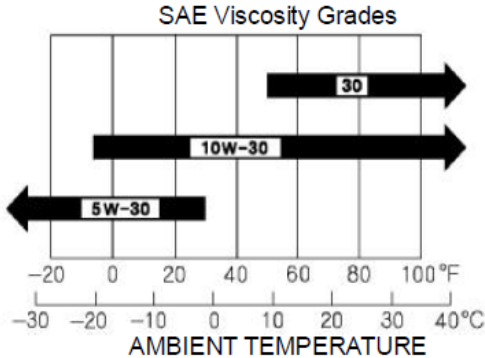
- Remove the oil filler cap and wipe the dipstick clean.
- Insert the dipstick into the filler neck but do not screw it in.
- If the level is low, fill to the upper level mark with the same oil recommended for the engine.

Oil capacity of G200 - B: 500 cc



ENGINE OIL RECOMMENDATIONS

Oil is a major factor affecting performance and service life. Use 4-stroke automotive detergent oil. SAE 10W-30 is recommended for general use. Other viscosities shown in the chart may be used when the average temperature in your area is within the recommended range.



USER GUIDE

ENGINE MAINTENANCE

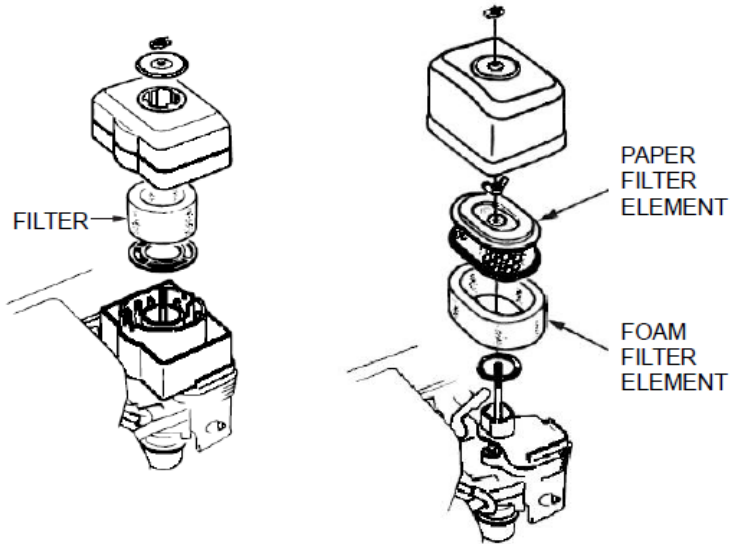
AIR FILTER INSPECTION

Remove the air cleaner cover and inspect the filter.

Clean or replace dirty filter elements.

Always replace damaged filter elements.

If equipped with an oil-bath air cleaner, also check the oil level.



AIR FILTER INSPECTION

A dirty air filter will restrict air flow to the carburetor, reducing engine performance and cause rapid engine wear and damage.

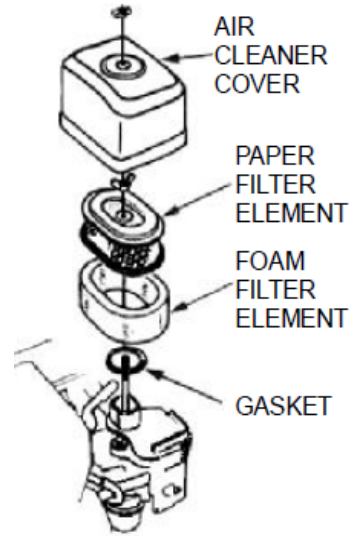
If you operate the engine in very dusty areas, clean the air filter more often than specified in the MAINTENANCE SCHEDULE.

USER GUIDE

ENGINE MAINTENANCE

DUAL-FILTER-ELEMENT TYPES

- Remove the wing nut from the air cleaner cover and remove the air cleaner cover.
- Remove the wing nut from the air filter and remove the filter.
- Remove the foam filter from the paper filter.
- Inspect both air filter elements and replace them if they are damaged. Always replace the paper air filter element at the scheduled interval.
- Clean the air filter elements if they are to be reused.



Paper air filter element: Tap the filter element several times on a hard surface to remove dirt or blow compressed air [not exceeding 30 psi (207 kPa)] through the filter element from the inside. Never try to brush off dirt; brushing will force dirt into the fibers.

Foam air filter element: Clean in warm soapy water, rinse, and allow drying thoroughly. Or clean in nonflammable solvent and allow drying. Dip the filter element in clean engine oil, and then squeeze out all excess oil. The engine will smoke when started if too much oil is left in the foam.

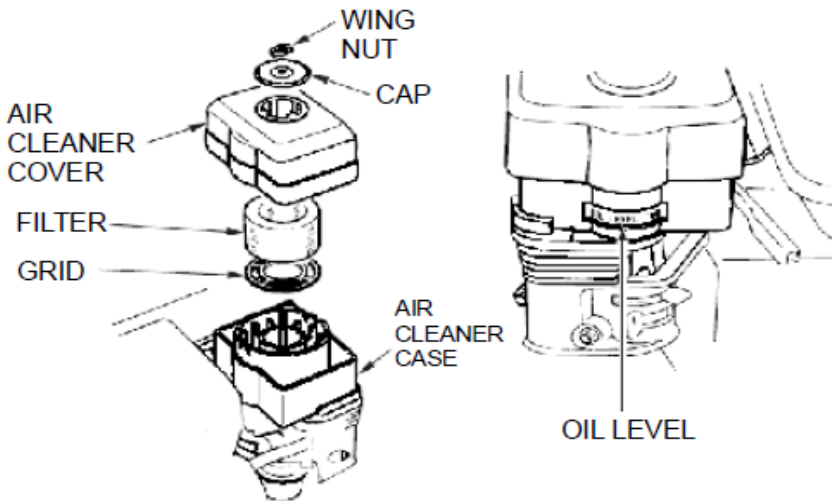
- Wipe dirt from the inside of the air cleaner base and cover, using a moist rag. Be careful to prevent dirt from entering the air duct that leads to the carburetor.
- Place the foam air filter element over the paper element and reinstall the assembled air filter. Be sure the gasket is in place beneath the air filter. Tighten the air filter wing nut securely.
- Install the air cleaner cover and tighten the cover wing nut securely.

USER GUIDE

ENGINE MAINTENANCE

OIL-BATH TYPE

- Remove the wing nut and remove the air cleaner cap and cover.
- Remove the air filter from the cover, Wash the cover and filter in warm, soapy water, rinse, and allow drying thoroughly. Or clean in nonflammable solvent and allow drying.
- Dip the filter in clean engine oil, and then squeeze out all excess oil. The engine will smoke if too much oil is left in the foam.
- Empty the used oil from the air cleaner case, wash out any accumulated dirt with nonflammable solvent, and dry the case.
- Fill the air cleaner case to the OIL LEVEL mark with the same oil that is recommended for the engine. Oil capacity: 2.0 US oz (60 cm³)
- Reassemble the air cleaner and tighten the wing nut securely.



USER GUIDE

ENGINE MAINTENANCE



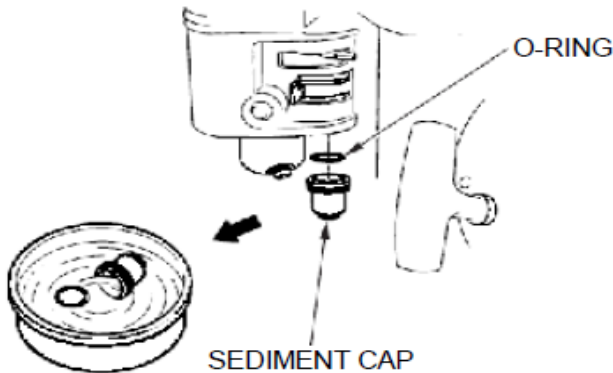
WARNING!

Petrol is highly flammable and explosive. You can be burned or seriously injured when handling fuel.

- Stop the engine and keep heat, sparks, and flame away.
- Handle fuel only outdoors.
- Wipe up spills immediately.

SEDIMENT CUP CLEANING

- Move the fuel valve to the OFF position, and then remove the fuel sediment cup and O-ring.
- Wash the sediment cup and O-ring in nonflammable solvent and dry them thoroughly.
- Place the O-ring in the fuel valve and install the sediment cup. Tighten the sediment cup securely.
- Move the fuel valve to the ON position, and check for leaks. Replace the O-ring if there is any leakage.



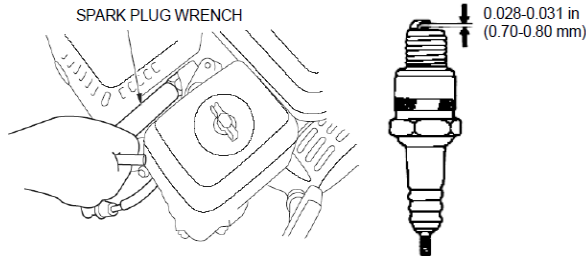
USER GUIDE

ENGINE MAINTENANCE

SPARK PLUG SERVICE

Recommended spark plugs: F7RTC or other equivalents. An incorrect spark plug can cause engine damage.

- Disconnect the spark plug cap and remove any dirt from around the spark plug area.
- Remove the spark plug with a spark plug wrench.



- Measure the spark plug electrode gap with a suitable gauge.
- The gap should be 0.028 in -0.031 in (0.70 mm - 0.80 mm). Correct the gap, if necessary, by carefully bending the side electrode.
- Install the spark plug carefully, by hand, to avoid cross-threading.
- After the spark plug seats, tighten with a spark plug wrench to compress the water.

If reinstalling the used spark plug tighten 1/8 - 1/4 turn after the spark plug seats.

If installing a new spark plug, tighten 1/2 turn after the spark plug seats.

- Attach the spark plug cap.



WARNING!

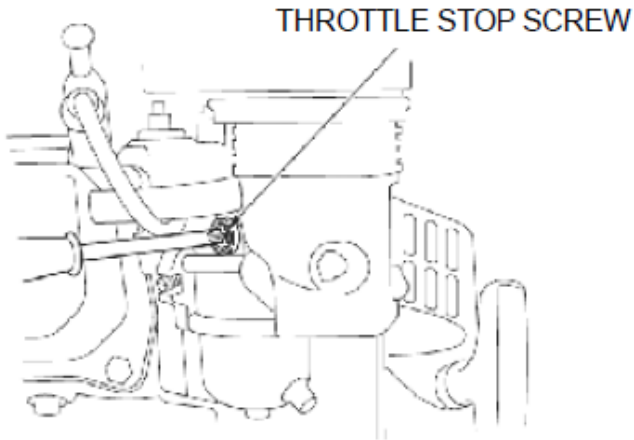
A loose spark plug can overheat and damage the engine. Over tightening the spark plug can damage the threads in the cylinder head.

USER GUIDE

ENGINE MAINTENANCE

IDLE SPEED ADJUSTMENT

- Start the engine outdoors and allow it to warm up to operating temperature.
- Move the throttle lever to its slowest position.
- Turn the throttle stop screw to obtain the standard idle speed.
Standard idle speed: $1,400 \pm 150$ rpm



USER GUIDE

STORAGE / TRANSPORTING

STORING YOUR ENGINE

STORAGE PREPARATION

Proper storage preparation is essential for keeping your engine trouble free and looking good. The following steps will help to keep rust and corrosion from impairing your engine's function and appearance and will make the engine easier to start after storage.

CLEANING

If the engine has been running, allow it to cool for at least half an hour before cleaning. Clean all exterior surfaces, touch up any damaged paint, and coat other areas that may rust with a light film of oil.



WARNING!

Using a garden hose or pressure washing equipment can force water into the air cleaner or muffler opening. Water in the air cleaner will soak the air filter, and water that passes through the air filter or muffler can enter the cylinder, causing damage.



WARNING!

Water contacting a hot engine can cause damage. If the engine has been running, allow it to cool for at least half an hour before washing.

FUEL

Petrol will oxidise and deteriorate in storage. Old petrol will cause hard starting, and it leaves gum deposits that clog the fuel system. If the petrol in your engine deteriorates during storage, you may need to have the carburetor and other fuel system components serviced or replaced.

The length of time that petrol can be left in your fuel tank and carburetor without causing functional problems will vary with such factors as petrol blend, your storage temperatures, and whether the fuel tank is partially or completely full. The air in a partially filled fuel tank promotes fuel deterioration. Very warm storage/temperatures accelerate fuel deterioration. Fuel deterioration problems may occur within a few months, or even less if the petrol was not fresh when you filled the fuel tank.

USER GUIDE

STORAGE / TRANSPORTING

FUEL cont.

The Distributor's Limited Warranty does not cover fuel system damage or engine performance problems resulting from neglected storage preparation.

You can extend fuel storage life by adding a fuel stabiliser that is formulated for that purpose, or you can avoid fuel deterioration problems by draining the fuel tank and carburetor.

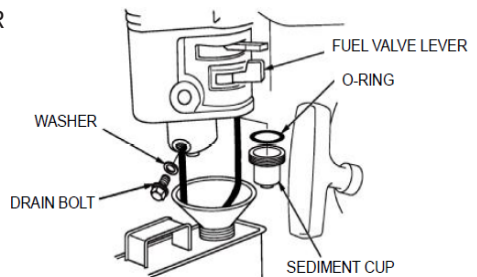
ADDING A FUEL STABILISER TO EXTEND FUEL STORAGE LIFE

When adding a fuel stabiliser, fill the fuel tank with fresh petrol. If only partially filled, air in the tank will promote fuel deterioration during storage. If you keep a container of petrol for refueling, be sure that it contains only fresh petrol.

- Add fuel stabiliser following the manufacturer's instructions.
- After adding a fuel stabiliser, run the engine outdoors for 10 minutes to be sure that treated petrol has replaced the untreated petrol in the carburetor.
- Stop the engine and move the fuel valve to the OFF position.

DRAINING THE FUEL TANK AND CARBURETOR

- Place an approved petrol container below the carburetor and use a funnel to avoid spilling fuel.
- Remove the carburetor drain bolt and sediment cup, and then move the fuel valve lever to the ON position.
- After all the fuel has drained into the container, reinstall the drain bolt and sediment cup. Tighten them securely.



USER GUIDE

STORAGE / TRANSPORTING

STORAGE PRECAUTIONS

- Change the engine oil.
- Remove the spark plugs.
- Pour a tablespoon (5-10 cc) of clean engine oil into the cylinder.
- Pull the starter rope several times to distribute the oil in the cylinder.
- Reinstall the spark plugs.
- Pull the starter rope slowly until resistance is felt. This will close the valves so moisture cannot enter the engine cylinder. Return the starter rope gently.

If your engine will be stored with petrol in the fuel tank and carburetor, it is important to reduce the hazard of petrol vapor ignition. Select a well-ventilated storage area away from any appliance that operates with a flame, such as a furnace, water heater, or clothes dryer. Also avoid any area with a spark-producing electric motor, or where power tools are operated.

If possible, avoid storage areas with high humidity, because that promotes rust and corrosion.

Unless all fuel has been drained from the fuel tank, leave the fuel valve lever in the OFF position to reduce the possibility of fuel leakage.

Position the equipment so the engine is level. Tilting can cause fuel or oil leakage.

With the engine and exhaust system cool, cover the engine to keep out dust. A hot engine and exhaust system can ignite or melt some materials. Do not use sheet plastic as a dust cover. A nonporous cover will trap moisture around the engine, promoting rust and corrosion.

If equipped with a battery for an electric starter, recharge the battery once a month while the engine is in storage. This will help to extend the service life of the battery.

USER GUIDE

STORAGE / TRANSPORTING

REMOVAL FROM STORAGE

Check your engine as described in the chapter CHECK BEFORE OPERATION.

If the fuel was drained during storage preparation, fill the tank with fresh petrol. If you keep a container of petrol for refueling, be sure that it contains only fresh petrol. Petrol oxidises and deteriorates over time, can cause it hard to start.

If the cylinders were coated with oil during storage preparation, the engine may smoke briefly at startup. This is normal.

TRANSPORTING

If the engine has been running, allow it to cool for at least 15 minutes before loading the engine-powered equipment on the transport vehicle. A hot engine and exhaust system can burn you and can ignite some materials.

Keep the engine level when transporting to reduce the possibility of fuel leakage. Move the fuel valve lever to the OFF position.

USER GUIDE

RESOLUTION GUIDE

WHAT DO I DO IF THERE ARE MISSING PARTS FROM MY ORDER?

If there appears to be any part missing from your order, contact our friendly and helpful Customer Support Team within 7 days of receipt.

ENGINE WILL NOT START	POSSIBLE CAUSE	CORRECTION
Electric starting: check battery	Battery discharged.	Recharge battery.
Check control positions	Fuel valve OFF	Move lever to ON
	Choke OPEN	Move lever to CLOSE unless engine is warm
	Engine switch OFF	Turn engine switch to ON
Check fuel.	Out of fuel	Refuel
	Bad fuel; engine stored without treating or draining petrol, or refueled with bad petrol.	Drain fuel tank and carburetor. Refuel with fresh petrol.
Remove and inspect spark plugs	Spark plugs faulty, fouled, or improperly gapped.	Gap, or replace spark plugs.
	Spark plugs wet with fuel (flooded engine).	Dry and reinstall spark plugs. Start engine with throttle lever in FAST position.
Take engine to an authorized servicing dealer, or refer to manual.	Fuel filter clogged, carburetor malfunction, ignition malfunction, valve stuck, etc.	Replace or repair faulty components as necessary

TROUBLESHOOTING

RESOLUTION GUIDE

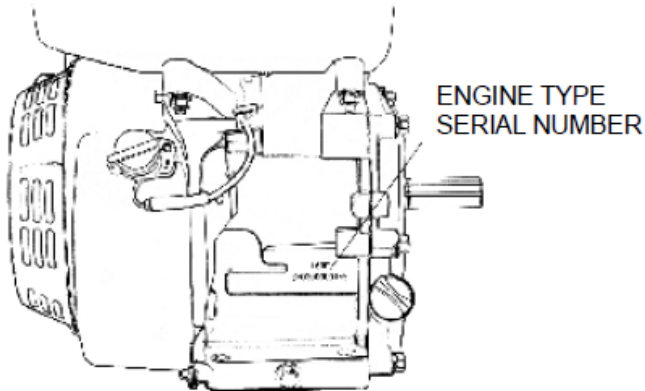
ENGINE LACKS POWER	POSSIBLE CAUSE	CORRECTION
Check air filter	Filter element(s) clogged.	Clean or replace filter element(s).
Check fuel.	Out of fuel.	Refuel.
	Bad fuel; engine stored without treating or draining petrol, or refueled with bad petrol.	Drain fuel tank and carburetor. Refuel with fresh petrol.
Take engine to an authorized servicing dealer or refer to manual.	Fuel filter clogged, carburetor malfunction, ignition malfunction, valve stuck, etc.	Replace or repair faulty components as necessary.

**FOR ALL OTHER ISSUES, PLEASE CONTACT OUR
CUSTOMER SUPPORT TEAM.**

TROUBLESHOOTING

TECHNICAL INFORMATION

SERIAL NUMBER LOCATION



Record the engine serial number in the space below. You will need this serial number when ordering parts, and when making technical or warranty inquiries.

Engine serial number: _____

BATTERY CONNECTIONS FOR ELECTRIC STARTER

Use a 12-volt battery with an ampere-hour rating of at least 18 Ah.

Be careful not to connect the battery in reverse polarity, as this will short circuit the battery charging system. Always connect the positive (+) battery cable to the battery terminal before connecting the negative (-) battery cable, so your tools cannot cause a short circuit if they touch a grounded part while tightening the positive (+) battery cable end.

EXTRA INFORMATION

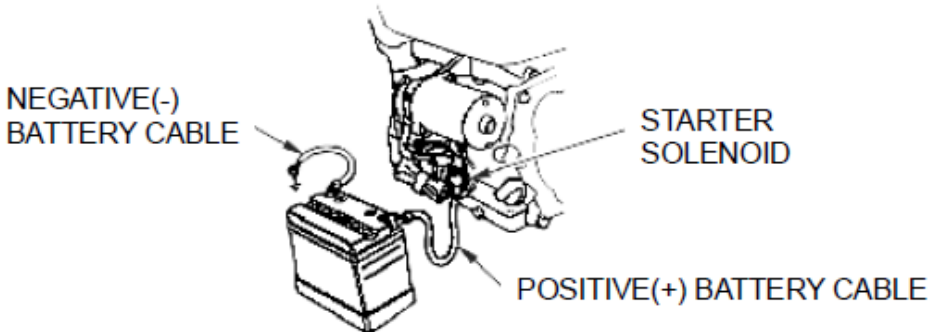
TECHNICAL INFORMATION



WARNING!

A battery can explode if you do not follow the correct procedure, seriously injuring anyone nearby.
Keep all sparks, open flames, and smoking materials away from the battery.

- Connect the battery positive (+) cable to the starter solenoid terminal as shown.
- Connect the battery negative (-) cable to an engine mounting bolt, frame bolt, or other good engine ground connection.
- Connect the battery positive (+) cable to the battery positive (+) terminal as shown.
- Connect the battery negative (-) cable to the battery negative (-) terminal as shown.
- Coat the terminals and cable ends with grease.



EXTRA INFORMATION

TECHNICAL INFORMATION

CARBURETOR MODIFICATION FOR HIGH ALTITUDE OPERATION

At high altitude, the standard carburetor air-fuel mixture will be too rich. Performance will decrease, and fuel consumption will increase. A very rich mixture will also foul the spark plug and cause hard starting. Operation at an altitude that differs from that at which this engine was certified, for extended periods of time, may increase emissions.

High altitude performance can be improved by specific modifications to the carburetor. If you always operate your engine at altitudes above 5,000 feet (1,500 meters), have your servicing dealer perform this carburetor modification. This engine, when operated at high altitude with the carburetor modifications for high altitude use, will meet each emission standard throughout its useful life.

Even with carburetor modification, engine horsepower will decrease about 3.5% for each 1,000-foot (300-metre) increase in altitude. The effect of altitude on horsepower will be greater than this if no carburetor modification is made.



WARNING!

When the carburetor has been modified for high altitude operation, the air-fuel mixture will be too lean for low altitude use. Operation at altitudes below 5,000 feet (1,500meters) with a modified carburetor may cause the engine to overheat and result in serious engine damage. For use at low altitudes, have your servicing dealer return the carburetor to original factory specifications.

EXTRA INFORMATION

TECHNICAL INFORMATION

OXYGENATED FUELS

Some conventional gasolines are being blended with alcohol or an ether compound. These gasolines are collectively referred to as oxygenated fuels. To meet clean air standards, some areas use oxygenated fuels to help reduce emissions.

If you use an oxygenated fuel, be sure it is unleaded and meets the minimum octane rating requirement.

Before using an oxygenated fuel, try to confirm the fuel's contents. Some areas require this information to be posted on the pump.

The following are the EPA approved percentages of oxygenates:

ETHANOL - (ethyl or grain alcohol) 10% by volume

You may use petrol containing up to 10% ethanol by volume. Petrol containing ethanol may be marketed under the name 'E10 Petrol'.

If you notice any undesirable operating symptoms, try another service station, or switch to another brand of petrol.

Fuel system damage or performance problems resulting from the use of an oxygenated fuel containing more than the percentages of oxygenates mentioned above are not covered under warranty.

EXTRA INFORMATION

EMISSION CONTROL SYSTEM INFORMATION

SOURCE OF EMISSIONS

The combustion process produces carbon monoxide, oxides of nitrogen, and hydrocarbons. Control of hydrocarbons and oxides of nitrogen is very important because, under certain conditions, they react to form photochemical smog when subjected to sunlight. Carbon monoxide does not react in the same way, but it is toxic.

This utilises lean carburetor settings and other systems to reduce the emissions of carbon monoxide, oxides of nitrogen and hydrocarbons.

TAMPERING AND ALTERING

Tampering with or altering the emission control system may increase emissions beyond the legal limit. Among those acts that constitute tampering are:

- Removal or alteration of any part of the intake, fuel or exhaust systems.
- Altering or defeating the governor linkage or speed-adjusting mechanism to cause the engine to operate outside its design parameters.

PROBLEMS THAT MAY AFFECT EMISSIONS

If you are aware of any of the following symptoms, have your engine inspected and repaired by your servicing dealer.

- Hard starting or stalling after starting.
- Rough idle.
- Misfiring or backfiring under load.
- Afterburning (backfiring).
- Black exhaust smoke or high fuel consumption.

EXTRA INFORMATION

EMISSION CONTROL SYSTEM INFORMATION

REPLACEMENT PARTS

We recommend the use of genuine parts whenever you have maintenance done. These original-design replacement parts are manufactured to the same standards as the original parts, so you can be confident of their performance. The use of replacement parts that are not of the original design or quality may impair the effectiveness of your emission control system.

A manufacturer of an aftermarket part assumes the responsibility that the part will not adversely affect emission performance. The manufacturer or rebuilder of the part must certify that use of the part will not result in a failure of the engine to comply with emission regulations.

MAINTENANCE

Follow the maintenance schedule. Remember that this schedule assumes that your machine will be used for its designed purpose. Sustained high-load or high-temperature operation, or use in unusually wet or dusty conditions, will require more frequent service.

ENGINE TUNE-UP

ITEM	SPECIFICATION
Spark plug gap	0.028-0.031 in (0.70 mm -0.80 mm)
Valve clearance	0.15 mm±0.02 mm (cold) EX: 0.20 mm±0.02 mm (cold)
Other specifications	No other adjustments needed

EXTRA INFORMATION

CONSUMER INFORMATION

PUBLICATIONS

These publications will give you additional information for maintaining and repairing your engine. You may order them from your engine dealer.

PARTS CATALOG

This manual provides complete, illustrated parts lists.

QUICK REFERENCE INFORMATION

Engine Oil	Type	SAE 10W-30, API SE or SF, for general use
	Capacity	G200F: 0.6 L
Spark Plug	Type	F7RTC or other equivalents.
	Gap	0.028-0.031 in (0.70 mm-0.80 mm)
Carburetor	Idle speed	1400 rpm±150 rpm
Maintenance	Each use	Check engine oil. Check air filter.
	First 20 hours	Change engine oil.
	Subsequent	Refer to the maintenance

EXTRA INFORMATION

SPECIFICATIONS

Type	Single cylinder, 4-Stroke, Forced Air Cooling, OHV
Rated power (kW/3600rpm)	3.8
Max. torque (N·m/rpm)	13/3000
Fuel consumption (g/kW·h)	≤395
Idle speed	1400±150
Speed Fluctuating Ratio	≤10%
Transmission Mode	-
Reduction Ratio	-
Noise (≤)	70db(A)
Bore×Stroke (mm)	68×54
Displacement (cc)	196
Compression Ratio	8.5:1
Lubricating mode	Splash
Starting Mode	Recoil start (Recoil start / Electric starting)
Rotation	Anti-clockwise (from P.T.O. side)
Valve Clearance	input valve - 0.10 - 0.15mm, output valve - 0.15 - 0.20mm
Spark plug clearance	0.7 - 0.8mm
Igniting Mode	Transistorized magneto Ignition
Air cleaner	Semi-dry, Oil bath, Foam filter
Dimension (Length)	312mm
Dimension (Width)	376mm
Dimension (High)	335mm
Net weight (kg)	16(19)

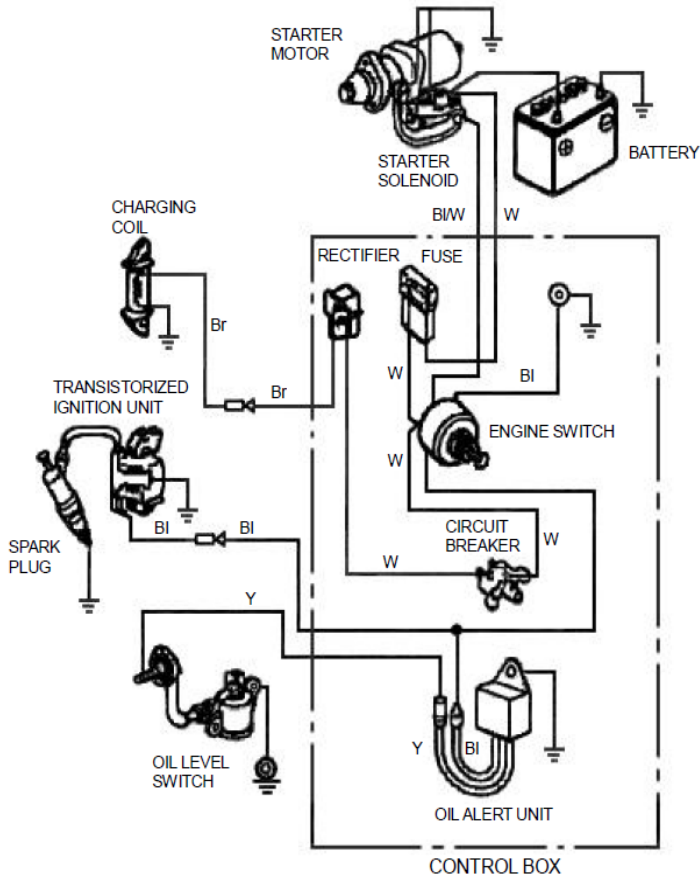
EXTRA INFORMATION

WIRING DIAGRAMS

ENGINE SWITCH

	IG	E	ST	BAT
OFF	O	O		
ON				
START			O	O

BI	BLACK	BR	BROWN
Y	YELLOW	R	RED
W	WHITE	G	GREEN

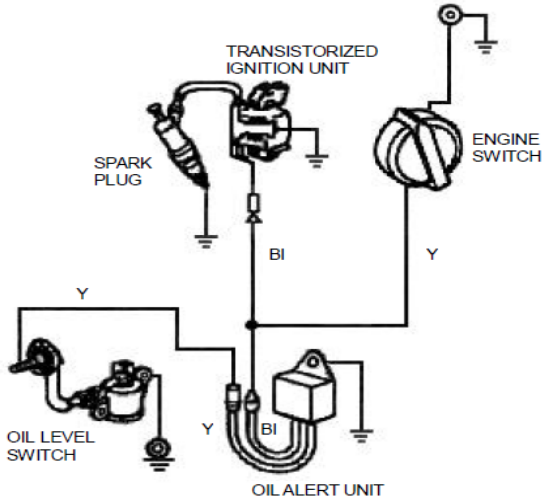


EXTRA INFORMATION

WIRING DIAGRAMS

ENGINE TYPE WITH OIL ALERT AND WITHOUT ELECTRIC STARTING

Bl	BLACK
Y	YELLOW
G	GREEN



EXTRA INFORMATION

OPTIONAL PARTS

BATTERY

BATTERY - OPTIONAL PART

Use a battery rated at 12V, 18Ah or more.



WARNING!

Do not reverse polarity. Serious damage to the engine and/or battery may occur.



WARNING!

A battery can explode if you do not follow the correct procedure, seriously injuring anyone nearby.
Keep all sparks, open flames, and smoking materials away from the battery.

Check the electrolyte level to be sure that it is between the marks on the case. If the level is below the lower mark, remove the caps and add distilled water to bring the electrolyte level to the upper mark. The cells should be equally full.

SPÉCIFICATIONS

DESCRIPTION DU PRODUIT

Votre nouveau mini-transporteur répondra au-delà de vos attentes. Fabriqué selon des normes de qualité rigoureuses, cette machine offre des performances optimales. Il est facile à utiliser et sûr, et avec l'entretien approprié, il fonctionnera pendant de nombreuses années.

La boîte de vitesses à quatre rapports, trois en marche avant et un en marche arrière, se trouve au cœur de l'appareil. Son grand format permet de gérer en toute sécurité les énormes rotations générées par le moteur. Grâce à son réducteur efficace, cette machine est capable de se déplacer dans toutes les situations et de supporter toutes les charges.

Le fabricant du moteur est responsable de toutes les questions relatives au moteur, ses performances, la puissance nominale, les spécifications et la garantie et le service. Veuillez-vous référer à la section du manuel du moteur.

DÉTAILS DU PRODUIT

Moteur	Type de carburant	196cc 6.5CV
Transmission	Capacité de charge	Sans plomb (95) 3 A vant + 1 Arrière
Longueur Benne	Largeur Benne	300kg
Profondeur		907-1004mm
Largeur chenille		600-860mm
Niveau de puissance sonore		210mm 180mm 103dB
Poids		178kg

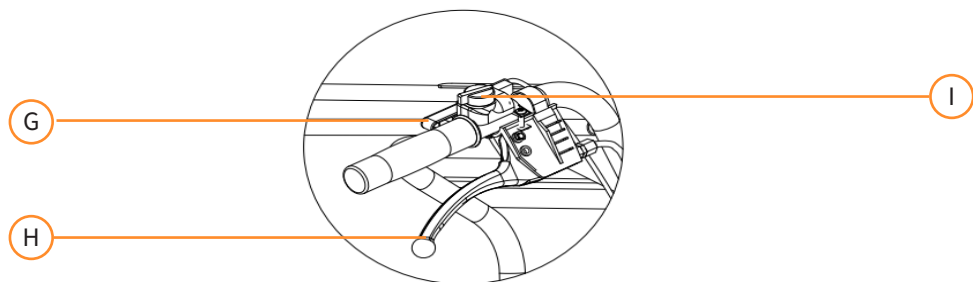
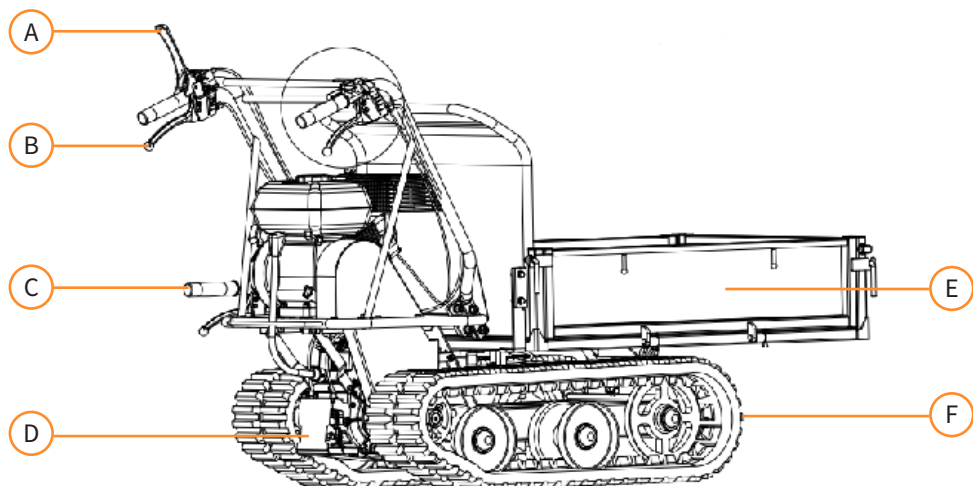
LISTE DES PIÈCES

Part No.	Description	Quantity
1	Cadre principal	1
2	Éléments d'assemblage du guidon	1
3	Poignée de basculement	1
4	Benne basculante	1
5	Manuel d'utilisation	1

SPÉCIFICATIONS

CARACTÉRISTIQUES DU PRODUIT

- | | | | |
|----|----------------------------|----|---------------------------|
| A. | Levier d'embrayage | F. | Chenille |
| B. | Levier de direction gauche | G. | Levier d'accélération |
| C. | Poignée de basculement | H. | Levier de direction droit |
| D. | Boîte de vitesses | I. | Interrupteur Marche/arrêt |
| E. | Benne basculante | | |



La responsabilité de Monster Group UK Limited sera limitée à la valeur commerciale du produit.

CONSEILS DE SÉCURITÉ

PRATIQUE DE TRAVAIL SÉCURITAIRE



AVERTISSEMENT!

Cette machine doit être utilisée uniquement par des personnes de plus de 18 ans.

Comprendre le fonctionnement de votre machine

- Veuillez lire attentivement le manuel d'instructions et les étiquettes apposées sur la machine. Apprenez son fonctionnement et ses limites, ainsi que les risques spécifiques qui lui sont propres.
- Familiarisez-vous avec les commandes et leur fonctionnement. Apprenez comment arrêter la machine et débrayer rapidement les commandes.
- Veuillez lire et bien comprendre toutes les instructions et précautions de sécurité décrites dans la section Manuel du moteur.
- N'essayez PAS d'utiliser la machine avant d'avoir parfaitement compris comment l'utiliser, comment entretenir correctement le moteur et comment éviter les blessures accidentelles et/ou dommages matériels.

Zone de travail

- NE PAS démarrer ou faire fonctionner la machine dans un endroit fermé. Le gaz d'échappement est dangereux et contient du monoxyde de carbone, un gaz inodore et mortel. Ne faites fonctionner cet appareil qu'à l'extérieur, dans un endroit bien ventilé.
- NE PAS faire fonctionner la machine sans une bonne visibilité ou lumière.

Habillez-vous correctement

- Portez des pantalons longs et épais, des bottes et des gants.
- NE PAS porter de vêtements amples, de shorts et de bijoux de quelque nature que ce soit.
- Attachez vos cheveux longs de façon qu'ils soient au niveau des épaules.
- Gardez vos cheveux, vos vêtements et vos gants à l'écart des pièces mobiles

CONSEILS DE SÉCURITÉ

PRATIQUE DE TRAVAIL SÉCURITAIRE

Veillez utiliser des équipements de sécurité

- Veuillez toujours porter des lunettes de protection. Les équipements de sécurité tels qu'un masque anti-poussière, un casque ou une protection auditive utilisés dans des conditions appropriées réduiront les blessures.
- Vérifiez votre machine avant de la démarrer. Maintenez les protections en place et en état de marche. Assurez-vous que tous les écrous, boulons, etc. soient bien serrés.
- NE PAS utiliser la machine si elle a besoin d'être réparée ou si elle est en mauvais état. Veuillez remplacer les pièces endommagées, manquantes ou défectueuses avant de l'utiliser. Vérifiez l'absence de fuite de carburant. Maintenez la machine dans un état de fonctionnement sûr.
- NE PAS retirer ou altérer les dispositifs de sécurité. Vérifiez régulièrement leur bon fonctionnement.
- N'utilisez PAS la machine si l'interrupteur du moteur ne permet pas de la mettre en marche ou de l'arrêter. Toute machine à essence qui ne peut être commandée par l'interrupteur du moteur est dangereuse et doit être remplacée.
- Prenez l'habitude de vérifier que les clés et les clés anglaises soient retirées de la machine avant de la démarrer. Une clé laissée attachée à une partie rotative de la machine peut entraîner des blessures.
- Restez vigilant, faites attention à ce que vous faites et faites preuve de bon sens lorsque vous utilisez la machine.
- NE vous penchez pas trop en avant.
- NE PAS utiliser la machine pieds nus ou en portant des sandales ou des chaussures légères similaires. Veuillez porter des chaussures de protection qui protègent bien vos pieds et vous permettent de mieux vous tenir sur les surfaces glissantes. Gardez toujours une position et un équilibre corrects. Ceci permet de mieux contrôler la machine dans des situations inattendues.
- Évitez tout démarrage accidentel. Assurez-vous que le moteur est arrêté avant de transporter la machine ou d'effectuer un entretien ou une réparation sur celle-ci. Le transport ou l'exécution de travaux d'entretien ou de maintenance sur une machine dont le moteur est en marche mène aux accidents.

CONSEILS DE SÉCURITÉ

PRATIQUE DE TRAVAIL SÉCURITAIRE

Sécurité individuelle

- NE PAS utiliser la machine sous l'influence de drogue, d'alcool ou de tout médicament qui pourrait affecter votre capacité à l'utiliser correctement.

Sécurité autour du carburant

- Le carburant est hautement inflammable et ses vapeurs peuvent exploser si elles sont enflammées. Prenez des précautions lors de son utilisation afin de réduire les risques de blessures graves.
- Lors du remplissage ou de la vidange du réservoir de carburant, utilisez un récipient de stockage de carburant homologué dans un endroit extérieur, propre et bien ventilé.
- NE FUMEZ PAS et ne laissez pas d'étincelles, de flammes nues ou d'autres sources d'inflammation à proximité de l'endroit où vous ajoutez du carburant ou faites fonctionner l'appareil. Ne remplissez jamais le réservoir de carburant à l'intérieur.
- Maintenez les objets conducteurs mis à la terre, tels que les outils, à l'écart des pièces et des connexions électriques exposées et sous tension afin d'éviter les étincelles ou les arcs électriques. Ces événements pourraient enflammer les fumées ou les vapeurs.
- Arrêtez toujours le moteur et laissez-le refroidir avant de remplir le réservoir de carburant. Ne retirez jamais le bouchon du réservoir de carburant et n'ajoutez jamais de carburant lorsque le moteur est en marche ou lorsqu'il est chaud.
- NE PAS utiliser la machine si le circuit de carburant présente des fuites connues.
- Desserrez lentement le bouchon du réservoir de carburant pour évacuer toute pression dans le réservoir.
- Ne remplissez jamais excessivement le réservoir de carburant. Remplissez le réservoir jusqu'à 12,5 mm (1/2") au maximum en dessous du fond du goulot de remplissage pour laisser un espace d'expansion, car la chaleur du moteur peut provoquer l'expansion du carburant.
- Remplacez tous les bouchons des réservoirs et des conteneurs et essuyez le carburant renversé. Ne faites jamais fonctionner l'appareil sans que le bouchon du réservoir soit bien en place.

CONSEILS DE SÉCURITÉ

PRATIQUE DE TRAVAIL SÉCURITAIRE

- Évitez de créer une source d'inflammation pour le carburant renversé. Si du carburant est renversé, n'essayez pas de démarrer le moteur et éloignez la machine de la zone de déversement et évitez de créer une source d'inflammation jusqu'à ce que les vapeurs de carburant se soient dissipées.
- Stockez le carburant dans des récipients spécifiquement conçus et approuvés à cet effet.
- Stockez le carburant dans un endroit frais et bien ventilé, à l'abri des étincelles, des flammes nues ou de toute autre source d'inflammation.
- Ne stockez jamais le carburant ou la machine avec du carburant dans le réservoir à l'intérieur d'un bâtiment où les fumées peuvent atteindre une étincelle, une flamme nue ou d'autres sources d'inflammation, comme un chauffe-eau, une chaudière, un sèche-linge, etc. Laissez le moteur refroidir avant de le ranger dans un endroit fermé.

Utilisation et entretien de la machine

- Positionnez la machine de manière à ce qu'elle ne puisse pas bouger pendant l'entretien, le nettoyage, le réglage ou le montage des accessoires ou des pièces détachées mais aussi lors du stockage.
- NE FORCEZ PAS la machine. Utilisez la machine adaptée à votre utilisation. Une machine utilisée correctement effectuera mieux le travail et de manière plus sûre, au rythme pour lequel elle a été conçue.
- NE PAS modifier les paramètres du régulateur du moteur et ne pas surréguler le moteur. Le régulateur contrôle le régime maximal de sécurité du moteur.
- NE PAS faire tourner le moteur à un régime élevé lorsque vous ne travaillez pas.
- NE PAS mettre les mains ou les pieds près des parties en rotation ou en mouvement.
- Évitez tout contact avec le carburant chaud, l'huile, les gaz d'échappement et les surfaces chaudes.
- NE PAS toucher le moteur ou l'échappement. Ces pièces deviennent extrêmement chaudes. Elles restent chaudes pendant un court moment après l'arrêt de la machine. Laissez le moteur refroidir avant de procéder à l'entretien ou aux réglages.

CONSEILS DE SÉCURITÉ

PRATIQUE DE TRAVAIL SÉCURITAIRE

- Si la machine commence à émettre un bruit ou une vibration inhabituelle, arrêtez immédiatement le moteur, débranchez le fil de la bougie et recherchez la cause. Un bruit ou une vibration inhabituelle sont généralement le signe d'un problème.
- N'utilisez que des outils et accessoires approuvés par le fabricant. Le non-respect de cette consigne peut entraîner des blessures corporelles mais également affectera votre garantie.
- Entretenez la machine. Vérifiez que les pièces mobiles ne soient pas mal alignées, coincées ou cassées et qu'aucune autre condition ne risque d'affecter le fonctionnement de la machine. En cas de dommage, faites réparer la machine avant de l'utiliser. De nombreux accidents sont causés par un équipement mal entretenu.
- Gardez le moteur et l'échappement exempts d'herbes, de feuilles, de graisse excessive ou d'accumulation de carbone pour réduire les risques d'incendie.
- Ne jamais arroser ou asperger l'appareil avec de l'eau ou tout autre liquide. Gardez les poignées sèches, propres et exemptes de débris. Nettoyez-les après chaque utilisation.
- Respectez les lois et règlements relatifs à l'élimination de l'essence, de l'huile, etc. afin de protéger l'environnement.
- Conservez la machine hors de portée des enfants et ne laissez pas des personnes non familiarisées avec la machine ou ces instructions l'utiliser. La machine est dangereuse entre les mains d'utilisateurs non formés.

Révision

- Avant de nettoyer, réparer, inspecter ou régler la machine, arrêtez le moteur et assurez-vous que toutes les pièces mobiles soient arrêtées. Débranchez le fil de la bougie et tenez-le éloigné de la bougie pour éviter tout démarrage accidentel.
- Faites réviser votre machine par un personnel de réparation qualifié en utilisant uniquement des pièces de rechange identiques. Ceci garantira le maintien de la sécurité de la machine.

CONSEILS DE SÉCURITÉ

PRATIQUE DE TRAVAIL SÉCURITAIRE

- Inspectez minutieusement la zone de travail, gardez-la propre et sans débris pour éviter de trébucher. Travaillez sur un sol plat et nivelé.
- Ne placez JAMAIS une partie de votre corps à un endroit où elle serait en danger en cas de mouvement pendant le montage, l'installation, l'utilisation, l'entretien, la réparation ou le déplacement.
- Maintenez toutes les personnes présentes, les enfants et les animaux domestiques à une distance d'au moins 23 m (75 pieds). Si vous êtes approché, arrêtez immédiatement l'unité.
- NE PAS monter sur la benne et ne jamais transporter de passagers.
- Ne garez JAMAIS la machine sur un sol instable qui pourrait céder, en particulier lorsqu'elle est pleine.
- Débrayez le levier d'embrayage avant de démarrer le moteur.
- Démarrez le moteur avec précaution en suivant les instructions et en gardant les pieds éloignés des pièces en mouvement.
- Ne quittez JAMAIS la position de travail lorsque le moteur tourne.
- Tenez toujours l'appareil à deux mains lorsque vous l'utilisez. Gardez une prise ferme sur le guidon. Sachez que la machine peut rebondir inopinément vers le haut ou sauter vers l'avant si elle heurte des obstacles enterrés tels que de grosses pierres.
- Veuillez marcher, ne courez jamais avec la machine.
- NE PAS surcharger la capacité de la machine.
- Conduisez à une vitesse sûre, en adaptant la vitesse à la pente du terrain, aux conditions de surface de la route et au poids de la charge.
- Soyez extrêmement prudent lorsque vous faites marche arrière ou que vous tirez la machine vers vous.

CONSEILS DE SÉCURITÉ

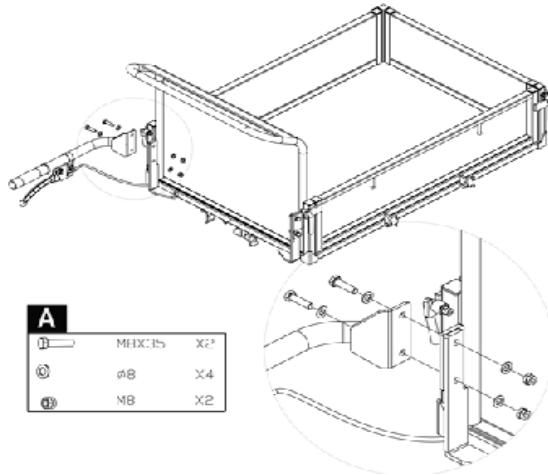
PRATIQUE DE TRAVAIL SÉCURITAIRE

- Faites preuve d'une extrême prudence lorsque vous travaillez sur ou traversez des allées, des chemins ou des routes en gravier. Restez attentif aux dangers cachés ou à la circulation.
- Sur un terrain meuble, conduisez en première vitesse avant/arrière.
- N'accélérez pas rapidement, ne tournez pas brusquement et ne vous arrêtez pas.
- Faites très attention lorsque vous travaillez sur un sol gelé car la machine peut avoir tendance à dérapier.
- Dans la mesure du possible, évitez de conduire sur des lits de rivière caillouteux, des terrains en pierre concassée, du béton armé, des champs jonchés de souches, des rondins, etc. car une telle opération provoque des dommages mortels ou réduit la durée de vie des chenilles.
- NE PAS utiliser la machine dans des endroits confinés présentant un risque d'écrasement de l'opérateur entre la machine et un autre objet.
- NE JAMAIS utiliser la machine sur des pentes dont l'angle est supérieur à 20°.
- Lorsque vous vous déplacez sur une pente, que ce soit en marche avant ou en marche arrière, assurez-vous toujours que le poids soit équilibré. Déplacez-vous toujours dans des directions parallèles à la pente (vers le haut ou vers le bas). Pour éviter tout danger, ne changez pas de vitesse dans les pentes.
- Lors du basculement de la charge d'une benne, le centre de gravité changera de façon continue, et les conditions du sol sont essentielles pour la stabilité de la machine. Il existe des risques particuliers pour les bennes travaillant sur terrain meuble et lorsque la charge colle à la carrosserie, par exemple sur de l'argile humide.

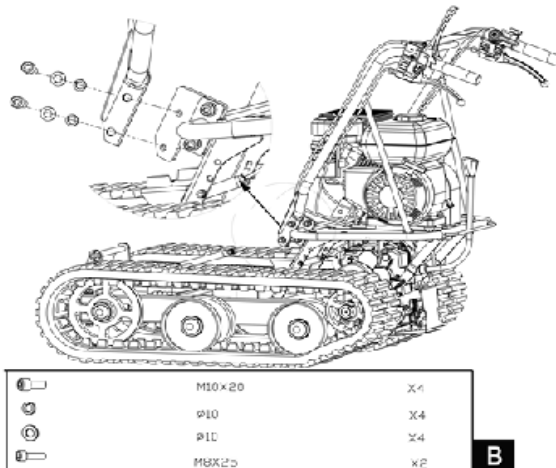
MODE D'EMPLOI

INSTRUCTIONS D'ASSEMBLAGE

- Montez la poignée de basculement sur le côté droit du panneau. Alignez les trous et fixez-les avec deux boulons hexagonaux M8x35, quatre rondelles et deux écrous.



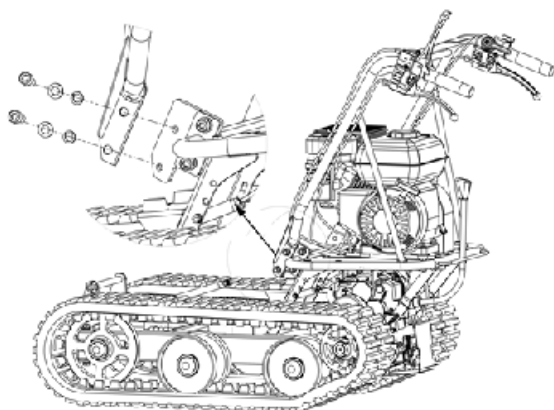
- Alignez les trous du guidon avec le support de montage et fixez chacun d'eux avec une rondelle élastique, une rondelle plate et un boulon M10x20. Fixez chaque support de guidon sur le plancher moteur avec une rondelle élastique, une rondelle plate et un boulon hexagonal M8x25.



MODE D'EMPLOI

INSTRUCTIONS D'ASSEMBLAGE

- Positionnez le panneau inférieur à l'intérieur du support de montage. Alignez les trous avec le support de montage. Insérez une longue goupille dans les trous et fixez chaque côté avec une rondelle plate et une goupille fendue



	M10x20	x4
	Ø10	x4
	Ø10	x4
	M8x25	x2

B

Huile de moteur



AVERTISSEMENT!

L'huile a été vidangée avant l'expédition de la machine. Si le carter du moteur n'est pas rempli d'huile avant le démarrage du moteur, ceci entraînera des dommages permanents et annulera la garantie du moteur.

Ajoutez de l'huile conformément à la section du manuel du moteur à la page 101.

MODE D'EMPLOI

INSTRUCTIONS DE FONCTIONNEMENT

Mise en marche du moteur

Une description plus détaillée du fonctionnement du moteur et de toutes les précautions et procédures connexes se trouve dans le Manuel du moteur à partir de la page 87 de ce manuel.

Suivez la procédure ci-dessous pour les démarrages à froid :

- Mettre le levier de vitesses en position neutre.
- Tournez le levier de starter du moteur en position de starter complet.
- Mettez l'interrupteur du moteur en marche.
- Tirez lentement plusieurs fois sur la corde de démarrage pour permettre à l'essence de s'écouler dans le carburateur du moteur. Tenez ensuite fermement la poignée de démarrage et tirez la corde sur une courte distance jusqu'à ce que vous sentiez une certaine résistance. Tirez ensuite la corde en douceur et rapidement et laissez la corde revenir doucement. Ne laissez pas la corde revenir brusquement. Si nécessaire, tirez plusieurs fois sur la corde jusqu'à ce que le moteur démarre.
- Laissez le moteur tourner pendant quelques secondes pour qu'il se réchauffe. Ensuite, déplacez progressivement le levier de calage en position "OPEN".



AVERTISSEMENT!

Veillez laisser le moteur chauffer pendant quelques secondes avant d'engager une vitesse.

Le redémarrage d'un moteur déjà chaud ne nécessite normalement pas l'utilisation du starter.

- Placez la manette d'accélérateur sur le guidon à mi-course.
- Tenez fermement la poignée de démarrage et tirez la corde sur une courte distance jusqu'à ce que vous sentiez une certaine résistance. Tirez ensuite la corde doucement et rapidement et laissez la corde revenir doucement. Ne laissez pas la corde revenir en arrière.

MODE D'EMPLOI

INSTRUCTIONS DE FONCTIONNEMENT

- Une fois le moteur chauffé, appuyez lentement sur le levier de commande de l'embrayage, puis engagez la vitesse requise. Si la vitesse ne s'engage pas immédiatement, relâchez lentement le levier d'embrayage et réessayez. Si la vitesse ne s'engage pas immédiatement, relâchez lentement le levier d'embrayage et réessayez.
- Tirez le levier d'accélérateur pour accélérer le régime du moteur.
- Le mini transporteur est équipé de leviers de direction sur le guidon, rendant la direction très facile. Pour tourner à droite ou à gauche, il suffit d'actionner le levier de direction correspondant à droite ou à gauche.
- La sensibilité de la direction augmente proportionnellement à la vitesse de la machine et avec la machine vide, une légère pression sur le levier est tout ce qui est nécessaire pour tourner. Alors que lorsque la machine est chargée, une pression plus importante est nécessaire.
- Le mini transporteur possède une capacité maximale de 300kg, cependant, il est conseillé d'évaluer la charge et de l'ajuster en fonction du terrain sur lequel la machine sera utilisée.
- Ne jamais charger plus de 300 kg
- Il est donc conseillé de parcourir de tels tronçons en utilisant la petite vitesse et en faisant très attention. Dans de telles situations, la machine doit être maintenue en petite vitesse pendant toute la durée du trajet.
- Évitez les virages serrés et les changements de direction fréquents lorsque vous conduisez sur la route, en particulier sur les terrains accidentés et durs, jonchés de points aigus et irréguliers avec un haut degré de friction.
- Même si l'appareil est équipé de chenilles en caoutchouc, n'oubliez pas d'être prudent lorsque vous travaillez dans des conditions météorologiques défavorables (glace, fortes pluies et neige) ou sur des types de terrain qui pourraient rendre le mini transporteur instable.
- Veuillez noter que, comme il s'agit d'un véhicule à chenilles, il est soumis à un mouvement de tangage considérable lorsqu'il passe sur des bosses, des trous et des marches.
- Lorsque le levier de commande de l'embrayage est relâché, la machine s'arrête et freine automatiquement, la manette des gaz est désactivée.
- Si la machine est arrêtée sur une pente raide, une cale doit être placée contre l'une des chenilles.

MODE D'EMPLOI

INSTRUCTIONS DE FONCTIONNEMENT

Vitesse de ralenti

Placez la manette de commande de l'accélérateur en position "SLOW" pour réduire les contraintes exercées sur le moteur lorsque vous ne travaillez pas. Le fait d'abaisser le régime moteur pour faire tourner le moteur au ralenti permet de prolonger la durée de vie du moteur, ainsi que d'économiser du carburant et de réduire le niveau sonore de la machine.

Arrêt du moteur

Pour arrêter le moteur en cas d'urgence, relâchez le levier de commande d'embrayage, puis mettez l'interrupteur du moteur sur la position "OFF". Dans des conditions normales, suivez la procédure suivante :

- Placez la manette d'accélérateur sur la position "SLOW".
- Laissez le moteur tourner au ralenti pendant une ou deux minutes.
- Placez l'interrupteur du moteur sur la position "OFF".
- Placez le levier du robinet de carburant sur la position 'OFF'



AVERTISSEMENT!

NE PAS mettre la commande du starter sur CHOKE pour arrêter le moteur. Ceci pourrait provoquer un retour de flamme ou endommager le moteur.

MODE D'EMPLOI

ENTRETIEN

Un entretien et une lubrification appropriés permettront à la machine de rester en parfait état de marche.

Entretien préventif

- Arrêtez le moteur et désengagez tous les leviers de commande. Le moteur doit être froid.
- Inspectez l'état général de l'appareil. Vérifiez qu'il n'y ait pas de vis desserrées, de désalignement ou de grippage des pièces mobiles, de pièces fissurées ou cassées, et toute autre condition susceptible d'affecter son fonctionnement en toute sécurité.
- Retirez tous les débris et autres matériaux qui ont pu s'accumuler sur la chenille et l'appareil. Nettoyez après chaque utilisation. Utilisez ensuite une huile légère pour machines de première qualité pour lubrifier toutes les pièces mobiles.



AVERTISSEMENT!

N'utilisez jamais un "nettoyeur haute pression" pour nettoyer votre appareil. L'eau peut pénétrer dans les zones étroites de la machine et de son boîtier de transmission et endommager les broches, les engrenages, les roulements ou le moteur. L'utilisation d'un nettoyeur haute pression raccourcira la durée de vie et réduira la facilité d'entretien.

Réglage de l'embrayage

Au fur et à mesure que l'embrayage s'use, le même levier peut avoir une ouverture plus large, rendant son utilisation difficile. Il est donc nécessaire de régler le câble, en mettant le levier d'embrayage dans sa position d'origine en agissant sur le dispositif de réglage et sur le contre-écrou.

Réglage de la direction

Si vous rencontrez des difficultés à diriger l'unité, vous devrez régler les leviers de direction à l'aide des dispositifs de réglage spéciaux. Desserrez le contre-écrou et dévissez les dispositifs de réglage pour éliminer le jeu dans le câble, qui peut se produire après la première utilisation ou l'usure normale. Faites très attention à ne pas trop dévisser les dispositifs de réglage, car ceci peut créer un autre problème : la perte de traction. N'oubliez pas de serrer le contre-écrou lorsque vous avez terminé.

MODE D'EMPLOI

ENTRETIEN

Lubrification

La boîte de vitesses est pré lubrifiée et scellée en usine.

Vérifier le niveau d'huile toutes les 50 heures de travail. Retirer le bouchon et vérifier, machine horizontale, que l'huile atteint les deux crans. Si nécessaire, ajoutez de l'huile.

Utilisez de la graisse au lithium #0 pour outils portatifs, telle que Lubriplate 630AA, Lubriplate GR-132, ou Multifak, par exemple EP-O.

L'huile doit être remplacée à chaud en dévissant un bouchon de remplissage et un bouchon équipé d'une jauge d'huile. Lorsque l'huile est complètement vidangée, remettez le bouchon de remplissage et faites le plein d'huile neuve.

Resserrage des chenilles

Les chenilles ont tendance à se desserrer au fil des utilisations. Si vous travaillez avec des chenilles desserrées, elles auront tendance à glisser sur la roue motrice, et sauteront de son logement entraînant une situation de travail inadéquate, et entraînerait l'usure du logement.

Pour vérifier le serrage des chenilles, procédez comme suit.

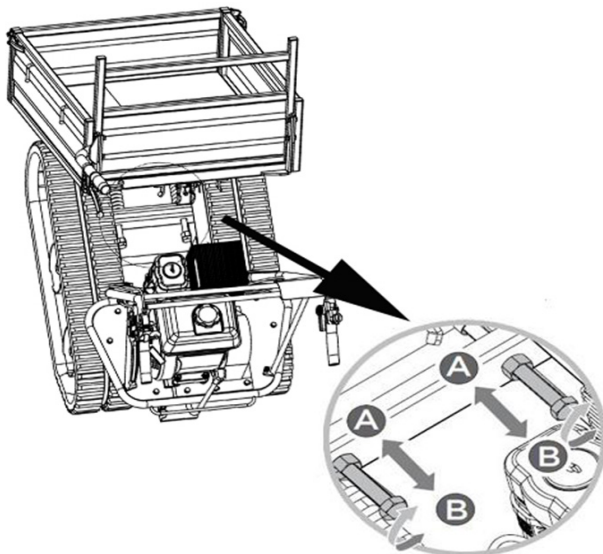
- Placez la machine sur une surface plane avec un sol compact, de préférence sur un revêtement en asphalte ou en pierre.
- Soulevez la machine et posez-la sur des blocs ou des supports adaptés au poids de la machine de manière que les chenilles soient à environ 100 mm du sol.
- Mesurez la ligne médiane des chenilles par rapport à la ligne horizontale. La lecture ne doit pas être supérieure à 10-15 mm.

MODE D'EMPLOI

ENTRETIEN

Si la distance est supérieure, procédez comme suit.

- Utilisez la poignée de basculement pour faire basculer la benne et posez-la sur des blocs ou des supports adaptés au poids de la benne.



- Desserrez le contre-écrou 'A'.
- Serrez le boulon 'B' jusqu'à ce que le serrage correct soit rétabli.
- Fixez le boulon 'B' en serrant à fond le contre-écrou 'A'.
- Remettez la benne dans sa position initiale.



AVERTISSEMENT!

Le réglage de la chenille et des freins est lié, faites donc faire très attention car si la chenille est trop serrée, l'effet de freinage sera perdu.



AVERTISSEMENT!

Si le boulon de réglage n'est plus réglable, les chenilles devront peut-être être remplacées.

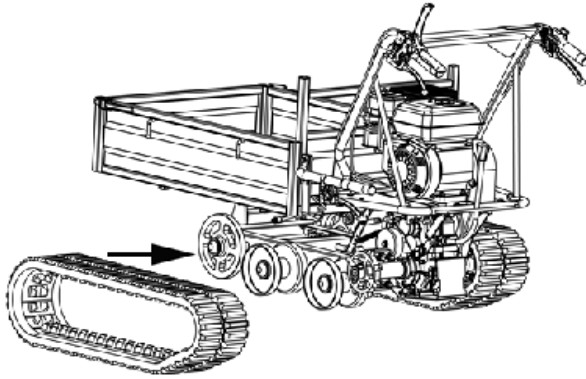
MODE D'EMPLOI

ENTRETIEN

Remplacement des chenilles

Vérifiez périodiquement l'état des chenilles. Si une chenille est fissurée ou effilochée, elle doit être remplacée dès que possible.

- Desserrez le contre-écrou 'A' et le boulon 'B' indiqués dans 'Serrage des chenilles' pour desserrer les chenilles.



- Retirez les anciennes chenilles et installez les nouvelles chenilles.
- Ajuster le boulon 'B' pour obtenir un serrage correct.
- Fixer le boulon 'B' en serrant à fond le contre-écrou 'A'.



AVERTISSEMENT!

Lorsque vous retirez ou installez les chenilles, veillez à ne pas vous coincer les doigts entre la chenille et la poulie.

MODE D'EMPLOI

ENTRETIEN

Entretien du moteur

Consultez le manuel du moteur inclus dans ce manuel pour obtenir des informations sur l'entretien du moteur. La section du manuel du moteur contient des informations détaillées ainsi qu'un calendrier pour l'exécution des tâches d'entretien.

Si le mini-transporteur ne sera pas utilisé durant une période supérieure à 30 jours, veuillez suivre les étapes ci-dessous pour préparer votre unité à son entreposage.

- Vidangez complètement le réservoir de carburant. Le carburant stocké contenant de l'éthanol ou du MTBE peut commencer à périmer en 30 jours. Le carburant éventé contient beaucoup de gomme et peut obstruer le carburateur et limiter le débit de carburant.
- Démarrez le moteur et laissez-le tourner jusqu'à ce qu'il s'arrête. Ceci permet de s'assurer qu'il ne reste pas de carburant dans le carburateur. Faites tourner le moteur jusqu'à ce qu'il s'arrête. Ceci permet d'éviter la formation de dépôts de gomme à l'intérieur du carburateur et d'éventuels dommages sur le moteur.
- Pendant que le moteur est encore chaud, vidangez l'huile du moteur. Remplissez-le avec une huile neuve de la qualité recommandée à la page 103.
- Utilisez des chiffons propres pour nettoyer l'extérieur de la machine et pour maintenir les bouches d'aération libres de toute obstruction.



AVERTISSEMENT!

NE PAS utiliser de détergents puissants ou de nettoyants à base de pétrole pour nettoyer les pièces en plastique. Les produits chimiques peuvent endommager les plastiques.

- Vérifiez l'absence de pièces lâches ou endommagées. Réparez ou remplacez les pièces endommagées et serrez les vis, écrous ou boulons desserrés.
- Entreposez votre appareil sur un sol plat, dans un bâtiment propre et sec, bien ventilé.



AVERTISSEMENT!

NE PAS stocker la machine avec du carburant dans une zone non ventilée où les fumées de carburant peuvent atteindre les flammes, les étincelles, les voyants lumineux ou toute autre source d'inflammation.

DÉPANNAGE

GUIDE DE RÉOLUTION

QUE FAIRE S'IL MANQUE DES PIÈCES À MA COMMANDE ?

S'il semble manquer des pièces à votre commande, veuillez contacter notre service du service client dans les 7 jours suivant la réception de votre commande.

Problème	Cause	Solution
Le moteur ne démarre pas	<ol style="list-style-type: none"> 1. Le fil de la bougie d'allumage est déconnecté 2. Panne de carburant. 3. Le starter n'est pas en position ouverte. 4. Ligne de carburant bloquée 5. Bougie d'allumage encrassée. 6. Moteur noyé 	<ol style="list-style-type: none"> 1. Fixez solidement le fil de la bougie à la bougie. 2. Faites le plein avec de l'essence propre et neuve. 3. La commande des gaz doit être positionnée sur le starter pour un démarrage à froid. 4. Nettoyez la conduite de carburant. 5. Nettoyez, ajustez l'écartement ou remplacez. 6. Attendez quelques minutes pour redémarrer, mais n'amorcez pas.
Le moteur fonctionne de manière erratique	<ol style="list-style-type: none"> 1. Le fil de la bougie d'allumage est desserré. 2. L'appareil fonctionne avec le STARTER. 3. Conduite de carburant bloquée ou carburant éventé. 4. L'évent est bouché. 5. Eau ou saleté dans le système de carburant. 6. Filtre à air encrassé. 7. Réglage incorrect du carburateur. 	<ol style="list-style-type: none"> 1. Connecter et serrer le fil de la bougie d'allumage. 2. Placez le levier du starter sur "OFF". 3. Nettoyez la conduite de carburant et remplissez le réservoir avec de l'essence propre et neuve. 4. Dégagez l'évent. 5. Vidangez le réservoir de carburant. Remplissez-le avec du carburant neuf. 6. Nettoyer ou remplacer le filtre à air. 7. Consultez le manuel du moteur.

DÉPANNAGE

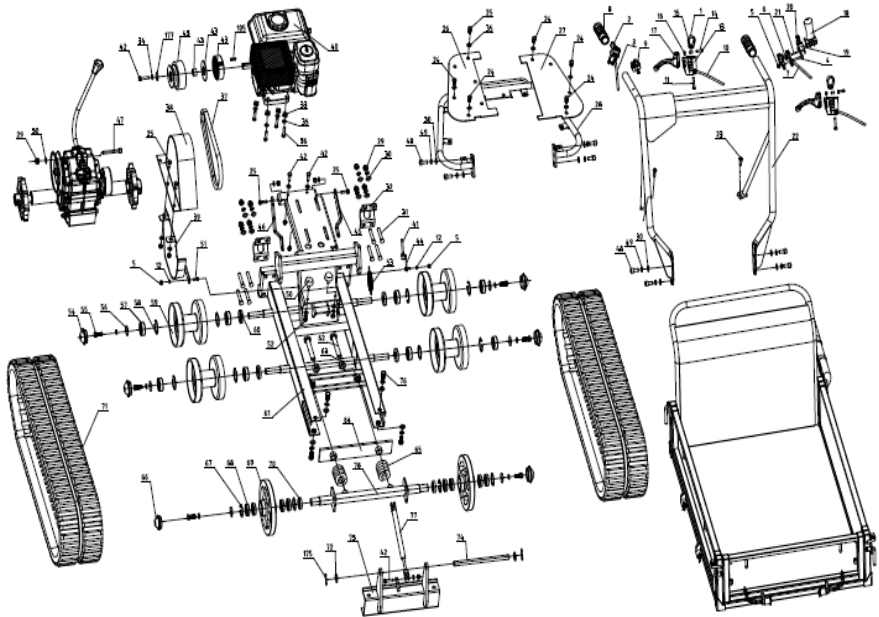
GUIDE DE RÉOLUTION

Problème	Cause	Solution
Le moteur surchauffe	<ol style="list-style-type: none">1. Niveau d'huile moteur bas.2. Filtre à air encrassé.3. Débit d'air restreint.4. Carburateur mal réglé.	<ol style="list-style-type: none">1. Remplissez le carter avec l'huile appropriée.2. Nettoyez le filtre à air.3. Déposer le boîtier et le nettoyer.4. Se reporter au manuel du moteur à la page 90.
L'une des deux voies est bloquée.	Des corps étrangers se sont glissés entre la voie et le châssis.	Retirez le corps étranger.
La machine ne bouge pas lorsque le moteur tourne.	<ol style="list-style-type: none">1. Le rapport n'est pas correctement sélectionné.2. Les chenilles ne sont pas assez serrées.	<ol style="list-style-type: none">1. Vérifiez que le levier de vitesses n'est pas entre deux vitesses différentes.2. Serrez les chenilles d'entraînement

POUR TOUTE AUTRE DEMANDE, VEUILLEZ CONTACTER NOTRE ÉQUIPE DU SERVICE CLIENT

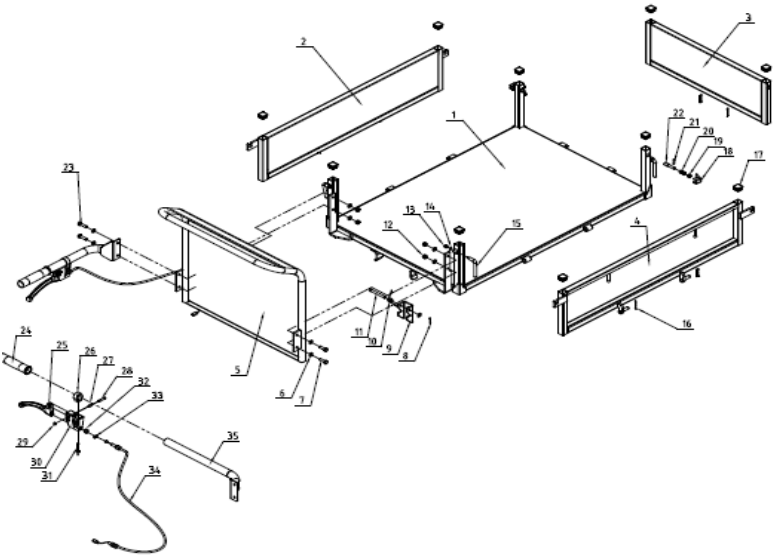
COMPOSITION DES PIÈCES

PIÈCES DU TRANSPORTEUR

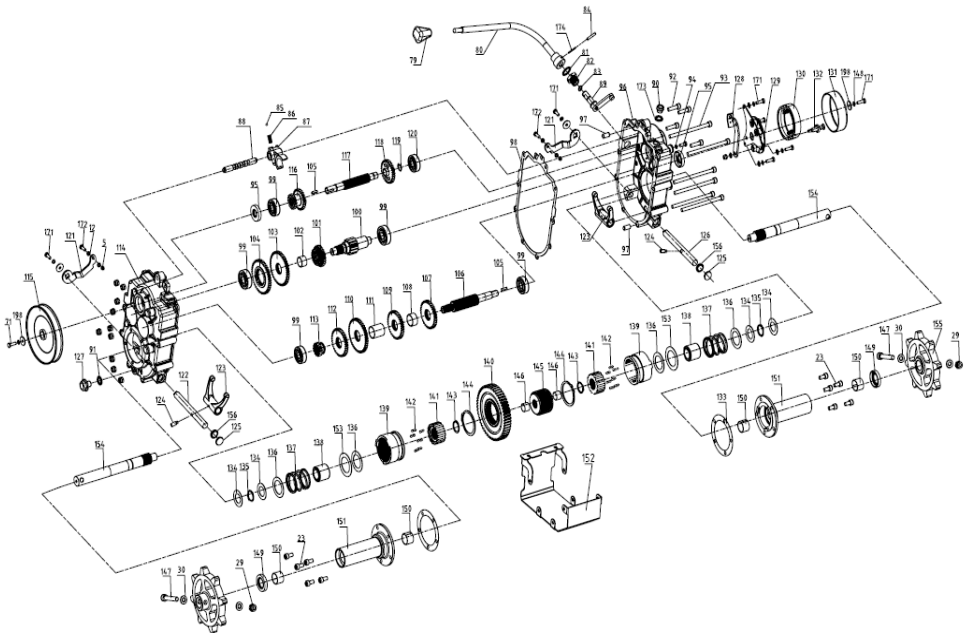


COMPOSITION DES PIÈCES

BENNE



BOITE DE VITESSE



MODE D'EMPLOI

MANUEL DU MOTEUR

SÉCURITÉ DU MOTEUR

INFORMATION IMPORTANTE DE SÉCURITÉ

La plupart des accidents de moteurs peuvent être évités si vous suivez toutes les instructions contenues dans ce manuel et sur le moteur. Certains des dangers les plus courants sont abordés ci-dessous, ainsi que la meilleure façon de se protéger et de protéger les autres.

RESPONSABILITÉS DU PROPRIÉTAIRE

Les moteurs sont conçus pour offrir un service sûr et fiable s'ils sont utilisés conformément aux instructions. Lisez attentivement ce manuel avant d'utiliser le moteur. Le non-respect de cette consigne peut entraîner des blessures corporelles ou des dommages matériels.

Vous devez savoir comment arrêter rapidement le moteur et comprendre le fonctionnement de toutes les commandes. Ne permettez JAMAIS à quiconque d'utiliser le moteur sans instructions appropriées.

NE permettez PAS aux enfants d'utiliser le moteur. Maintenez les enfants et les animaux domestiques à l'écart de la zone d'utilisation.

FAIRE LE PLEIN AVEC PRÉCAUTION

L'essence est extrêmement inflammable et les vapeurs d'essence peuvent exploser. Faites le plein à l'extérieur, dans un endroit bien ventilé, avec le moteur arrêté.

Ne fumez JAMAIS à proximité de l'essence et éloignez les autres flammes et étincelles. Stockez toujours l'essence dans un récipient homologué. Si du carburant est renversé, assurez-vous que la zone soit sèche avant de démarrer le moteur.

RISQUE DE MONOXIDE DE CARBONE

Les gaz d'échappement contiennent du monoxyde de carbone toxique. Évitez d'inhaler les gaz d'échappement.

Ne faites JAMAIS tourner le moteur dans un garage fermé ou un endroit confiné.

MODE D'EMPLOI

MANUEL DU MOTEUR

POT ÉCHAPPEMENT CHAUD

Le pot d'échappement devient très chaud lors du fonctionnement et reste chaud pendant un certain temps après l'arrêt du moteur. Veuillez ne pas toucher l'échappement lorsqu'il est chaud. Laissez le moteur refroidir avant de le ranger à l'intérieur.

Pour éviter les risques d'incendie et assurer une ventilation adéquate pour les applications d'équipement stationnaire, maintenez le moteur à une distance d'au moins 1 mètre (3 pieds) des murs du bâtiment et des autres équipements pendant le fonctionnement. NE PLACEZ PAS d'objets inflammables à proximité du moteur.

AUTRES ÉQUIPEMENTS

Examinez les instructions fournies avec l'équipement alimenté par ce moteur pour connaître les précautions de sécurité supplémentaires à observer lors du démarrage, de l'arrêt et du fonctionnement du moteur, ou les vêtements de protection qui peuvent être nécessaires pour utiliser l'équipement.

CAPACITÉS DU MOTEUR

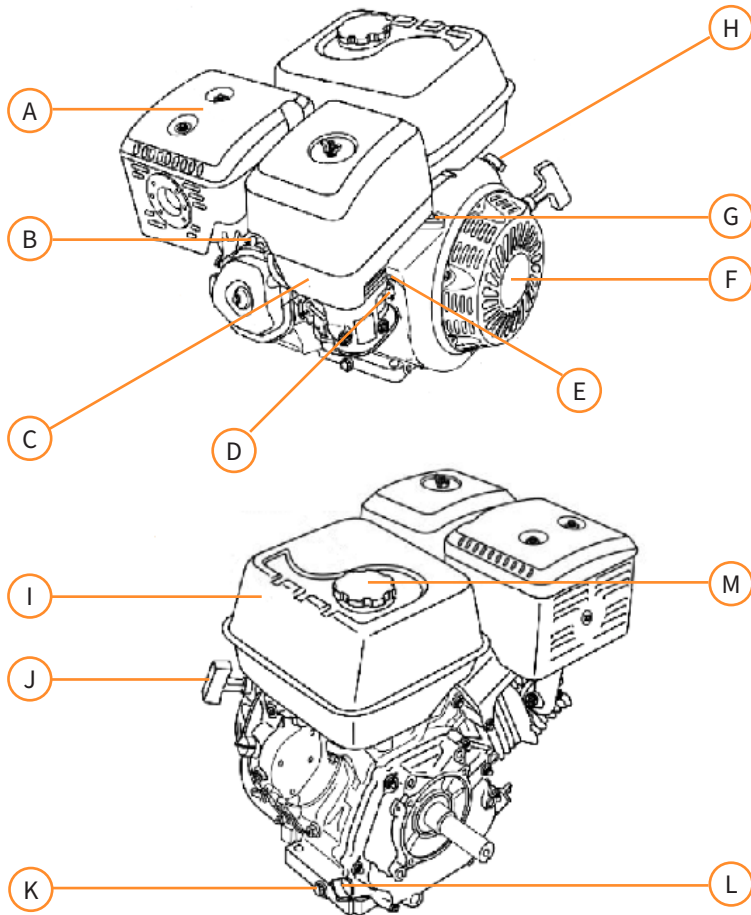
Capacité réservoir carburant G200F	3.8 litres
Capacité d'huile	0.6 litres
Huile moteur	10W-30w

COMPOSANTS & EMPLACEMENT DES COMMANDES

- | | |
|-------------------------|---|
| A. ECHAPPEMENT | I. RÉSERVOIR DE CARBURANT |
| B. BOUGIE D'ALLUMAGE | J. POIGNÉE DU DÉMARREUR |
| C. ÉPURATEUR D'AIR | K. BOUCHON DE VIDANGE D'HUILE |
| D. SOUPAPE DE CARBURANT | L. BOUCHON DU FILTRE À HUILE/ JAUGE |
| E. STARTER | M. BOUCHON DE RÉSERVOIR DU CARBU-
RANT |
| F. DÉMARREUR MANUEL | |
| G. ACCELÉRATEUR | |
| H. COMMUTATEUR | |

MODE D'EMPLOI

MANUEL DU MOTEUR



MODE D'EMPLOI

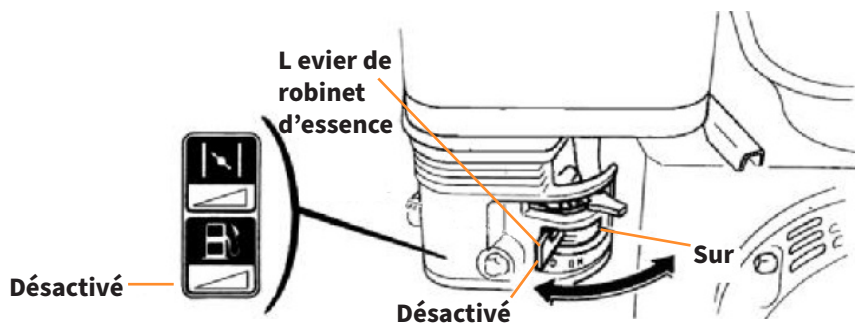
MANUEL DU MOTEUR

COMMANDES

LEVIER DU ROBINET À ESSENCE

Le robinet de carburant ouvre et ferme le passage entre le réservoir de carburant et le carburateur. Le levier du robinet à essence doit être en position ON pour que le moteur tourne.

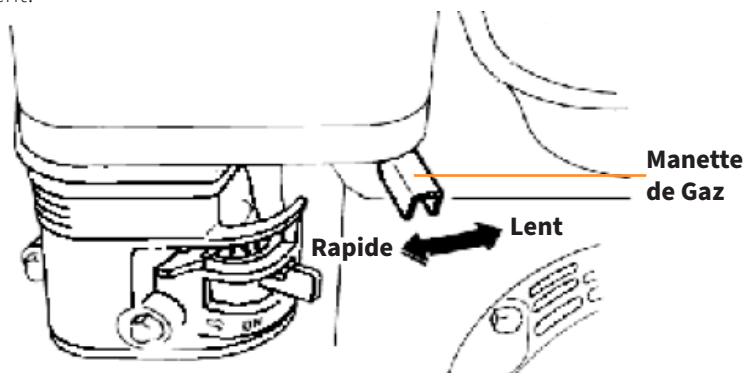
Lorsque le moteur n'est pas utilisé, laissez le levier du robinet à essence en position OFF afin d'éviter que le carburateur ne soit noyé et pour réduire le risque de fuite de carburant.



LEVIER D'ACCÉLÉRATEUR

Le levier d'accélérateur contrôle la vitesse du STARTER moteur.

En déplaçant la manette des gaz dans les directions indiquées, le moteur tourne plus vite ou plus lentement.



MODE D'EMPLOI

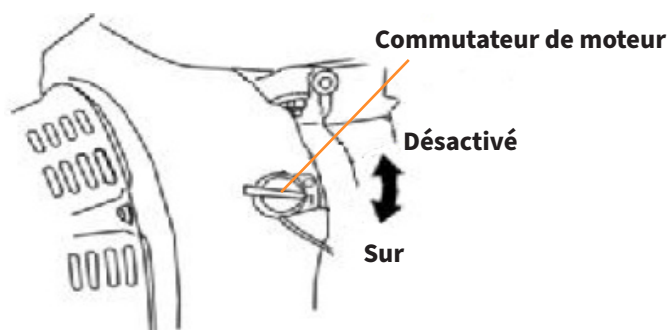
MANUEL DU MOTEUR

INTERRUPTEUR DU MOTEUR

L'interrupteur du moteur active et désactive le système d'allumage.

L'interrupteur du moteur doit être en position ON pour que le moteur tourne.

Si vous positionnez l'interrupteur du moteur sur la position OFF, le moteur s'arrêtera.



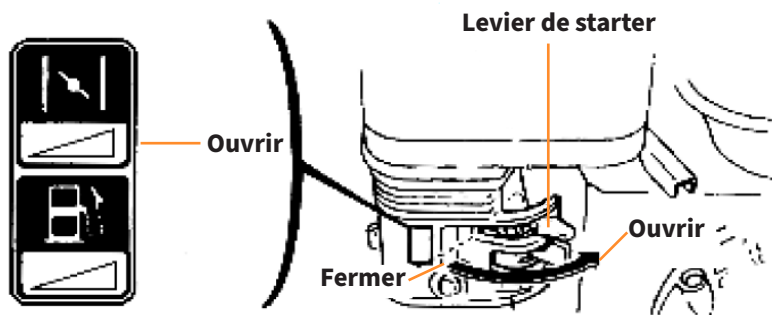
LEVIER DU STARTER

La manette de starter ouvre et ferme le clapet de starter dans le carburateur.

La position ON enrichit le mélange de carburant pour le démarrage d'un moteur froid.

La position OFF fournit le mélange de carburant correct pour le fonctionnement après le démarrage et pour le redémarrage d'un moteur chaud.

Certaines applications de moteur utilisent une commande de starter montée à distance plutôt que le levier de starter monté sur le moteur illustré ici.

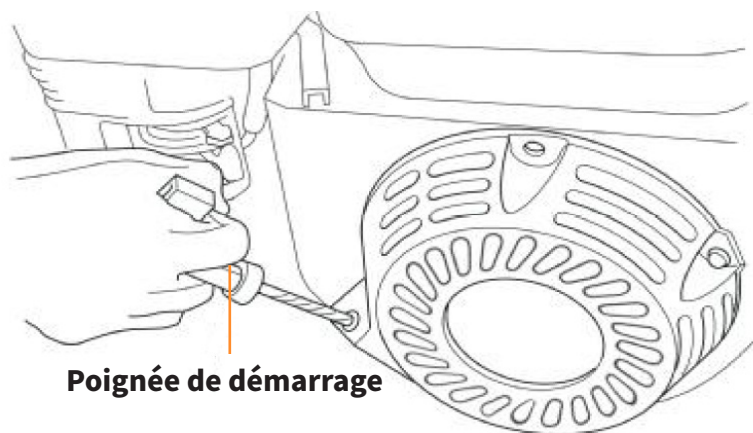


MODE D'EMPLOI

MANUEL DU MOTEUR

POIGNÉE DU DÉMARREUR MANUEL

En tirant la poignée du démarreur, vous actionnez le démarreur manuel pour faire tourner le moteur.



VÉRIFICATION AVANT UTILISATION

VOTRE MOTEUR EST-IL PRÊT À FONCTIONNER ?

Pour votre sécurité et pour maximiser la durée de vie de votre équipement, il est très important de prendre quelques instants avant d'utiliser le moteur afin de vérifier son état. Veillez à résoudre tout problème ou à le faire corriger par votre concessionnaire avant de faire fonctionner le moteur.



AVERTISSEMENT!

Un entretien inadéquat de ce moteur, ou l'absence de correction d'un problème avant l'utilisation, peut provoquer un dysfonctionnement dans lequel vous pourriez être gravement blessé. Effectuez toujours une inspection avant chaque utilisation, et corrigez tout problème.

Avant de commencer vos vérifications pré opérationnelles, assurez-vous que le moteur est à l'horizontale et que l'interrupteur du moteur est sur la position OFF.

MODE D'EMPLOI

MANUEL DU MOTEUR

CONTRÔLEZ L'ÉTAT GÉNÉRAL DU MOTEUR

- Regardez autour et sous le moteur pour détecter tous signes de fuites d'huile ou d'essence.
- Retirez toute saleté ou débris excessifs, en particulier autour de l'échappement et du démarreur manuel.
- Recherchez tous signes d'endommagement.
- Vérifiez que toutes les protections et couvercles soient bien en place, et que tous les écrous, boulons et vis soient serrés.

CONTRÔLE DU MOTEUR

- Vérifiez le niveau d'huile du moteur. Faire tourner le moteur avec un niveau d'huile bas peut l'endommager.
- Le système d'alerte d'huile (selon le type de moteur) arrête automatiquement le moteur avant que le niveau d'huile ne tombe en dessous des limites de sécurité.
- Cependant, pour éviter les inconvénients d'un arrêt inattendu, vérifiez toujours le niveau d'huile du moteur avant le démarrage.
- Vérifiez le filtre à air. Un filtre à air sale limitera le débit d'air vers le carburateur, réduisant ainsi les performances du moteur.
- Vérifiez le niveau de carburant. Démarrer avec un réservoir plein permet d'éliminer ou de réduire les interruptions de fonctionnement pour faire le plein.

CONTRÔLE DE L'ÉQUIPEMENT ALIMENTÉ PAR CE MOTEUR

- Examinez les instructions fournies avec l'équipement alimenté par ce moteur pour connaître les précautions et procédures à suivre avant le démarrage du moteur.

MODE D'EMPLOI

MANUEL DU MOTEUR

PRÉCAUTIONS D'UTILISATION

Avant d'utiliser le moteur pour la première fois, veuillez lire les INFORMATIONS IMPORTANTES SUR LA SÉCURITÉ et le chapitre AVANT EMPLOI



AVERTISSEMENT!

Le monoxyde de carbone est un gaz toxique. Son inhalation peut entraîner une perte de conscience et même la mort.

Évitez toute zone ou action qui vous expose au monoxyde de carbone.

Examinez les instructions fournies avec l'équipement alimenté par ce moteur pour connaître les précautions de sécurité à observer lors du démarrage, de l'arrêt ou du fonctionnement du moteur.

DÉMARRAGE DU MOTEUR

- Placez la vanne du carburant en position ON.
- Pour démarrer un moteur froid, placez le levier de starter en position CLOSE. Pour redémarrer un moteur chaud, laissez le levier de starter en position OPEN.
- Déplacez la manette des gaz de la position SLOW (lent) vers la position FAST (rapide) sur environ 1/3 de la distance.
- Mettez l'interrupteur du moteur en position ON.
- Tirez légèrement sur la poignée du démarreur jusqu'à ce que vous sentiez une résistance, puis tirez énergiquement. Ramenez la poignée du démarreur doucement.
- Si le levier de starter a été déplacé vers la position CLOSE pour démarrer le moteur, déplacez-le progressivement vers la position OPEN à mesure que le moteur se réchauffe.

MODE D'EMPLOI

MANUEL DU MOTEUR

ARRÊT DU MOTEUR

Pour arrêter le moteur en cas d'urgence, il suffit de positionner l'interrupteur du moteur sur la position OFF. Dans des conditions normales, veuillez suivre la procédure suivante.

- Placez la manette des gaz en position SLOW.
- Placez l'interrupteur du moteur sur la position OFF.
- Tournez le levier de la vanne de carburant sur la position OFF.

RÉGLAGE DU RÉGIME MOTEUR

- Positionnez la manette des gaz en fonction du régime moteur souhaité.
- Certaines applications de moteur utilisent une commande d'accélérateur montée à distance plutôt que le levier d'accélérateur monté sur le moteur illustré ici.
- Pour les recommandations relatives au régime moteur, consultez les instructions fournies avec l'équipement alimenté par ce moteur.

MODE D'EMPLOI

ENTRETIEN DU MOTEUR

ENTRETIEN

Un bon entretien est essentiel pour un fonctionnement sûr, économique et sans problème. Il contribuera également à réduire la pollution atmosphérique.



AVERTISSEMENT!

Si vous ne suivez pas correctement les instructions et les précautions d'entretien, vous risquez de graves blessures ou la mort. Suivez toujours les procédures et les précautions indiquées dans le manuel du propriétaire.

Pour vous aider à entretenir correctement votre moteur, les pages suivantes comprennent un calendrier d'entretien, des procédures d'inspection de routine et des procédures d'entretien simples utilisant des outils manuels de base.

Les autres tâches d'entretien qui sont plus difficiles ou qui nécessitent des outils spéciaux sont mieux gérées par des professionnels et sont normalement effectuées par un technicien ou un autre mécanicien qualifié.

Le programme d'entretien s'applique à des conditions de fonctionnement normales. Si vous utilisez votre moteur dans des conditions inhabituelles, comme une charge élevée ou une température élevée, ou si vous l'utilisez dans des conditions inhabituellement humides ou poussiéreuses, consultez votre concessionnaire pour obtenir des recommandations adaptées à vos besoins et à votre utilisation.

PRÉCAUTIONS DE SÉCURITÉ

Assurez-vous que le moteur soit arrêté avant de commencer tout entretien ou toute réparation. Ceci permet d'éliminer plusieurs risques :

- L'empoisonnement au monoxyde de carbone par l'échappement du moteur. Veillez à ce que la ventilation soit suffisante lorsque vous utilisez le moteur.
- Brûlures par des pièces chaudes. Laissez le moteur et le système d'échappement refroidir avant de les toucher.
- Blessure par des pièces en mouvement. Ne faites pas tourner le moteur à moins que cela soit nécessaire.

MODE D'EMPLOI

ENTRETIEN DU MOTEUR

Veuillez lire les instructions avant de commencer, et assurez-vous que vous disposez des outils et des compétences nécessaires.

Afin de réduire les risques d'incendie ou d'explosion, soyez prudent lorsque vous travaillez à proximité d'essence. Utilisez uniquement un solvant ininflammable, et non de l'essence, pour nettoyer les pièces. Tenez les cigarettes, les étincelles et les flammes éloignées de toutes les pièces liées au carburant.

Pour garantir une qualité et une fiabilité optimales, n'utilisez que des pièces neuves et d'origine ou leurs équivalents pour les réparations et les remplacements.

CALENDRIER D'ENTRETIEN

PÉRIODE DE SERVICE RÉGULIER Effectué à chaque mois ou intervalle d'heures de fonctionnement indiqué, selon la première éventualité		Chaque utilisation	Premier mois ou 20 Hrs	Tous les 3 mois ou 50 Hrs	Tous les 6 mois ou 100 Hrs	Chaque année ou 300 Hrs
Huile moteur	Vérifier le niveau	○				
	Changement		○		○	
Purificateur d'air	Vérifier	○		○(1)		
	Faire le ménage					
	Remplacer					○ ☆
Tasse à sédiments	Faire le ménage				○	
Bougie d'allumage	Vérifier-Nettoyer				○	
	Remplacer					○
Ralenti	Vérifier-ajuster					○(2)
Le jeu des soupapes	Vérifier-ajuster					○(2)
Réservoir de carburant et crépine	Faire le ménage					○(2)
Chambre de combustion	Faire le ménage	Après chaque 300 Hrs (2)				
Conduite de carburant	Faire le ménage	Tous les 2 ans (remplacer si nécessaire) (2)				

MODE D'EMPLOI

ENTRETIEN DU MOTEUR

☆ Remplacez uniquement l'élément papier

(1) Effectuer un entretien plus fréquent en cas d'utilisation dans des zones poussiéreuses.

(2) Ces éléments doivent être réparés par votre revendeur, à moins que vous ne disposiez des outils appropriés et que vous soyez qualifié en matière de mécanique. Reportez-vous au manuel pour les procédures d'entretien.

MODE D'EMPLOI

ENTRETIEN DU MOTEUR

FAIRE LE PLEIN

Capacité du réservoir de carburant G200F : 3,8 litres

Le moteur étant arrêté, retirez le bouchon du réservoir de carburant et vérifiez le niveau de carburant. Remplissez le réservoir si le niveau de carburant est bas.

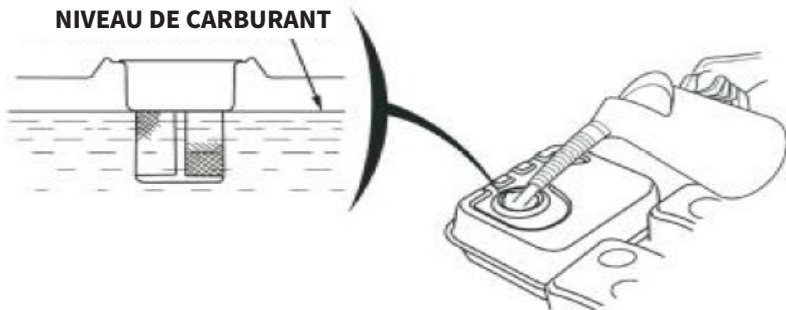


AVERTISSEMENT!

L'essence est hautement inflammable et explosive. Vous pouvez être brûlé ou gravement blessé en manipulant du carburant.

- Arrêtez le moteur et éloignez la chaleur, les étincelles et les flammes.
- Ne manipulez le carburant qu'à l'extérieur.
- Essayez immédiatement tous déversements.

NIVEAU DE CARBURANT



Faites le plein dans un endroit bien ventilé avant de démarrer le moteur. Si le moteur a tourné, laissez-le refroidir. Faites le plein avec précaution pour éviter de renverser du carburant. Ne remplissez pas au-dessus de l'épaule de la crépine à carburant. Après le ravitaillement, serrez fermement le bouchon du réservoir de carburant.

Ne faites JAMAIS le plein du moteur à l'intérieur d'un bâtiment où les vapeurs d'essence peuvent atteindre des flammes ou des étincelles. Tenez l'essence à l'écart des voyants lumineux des appareils, des barbecues, des appareils électriques, des outils électriques, etc.

Le carburant renversé n'est pas seulement un risque d'incendie, il cause aussi des dommages à l'environnement. Essayez immédiatement tous déversements.

MODE D'EMPLOI

ENTRETIEN DU MOTEUR

CARBURANT RECOMMANDÉ

Utilisez de l'essence sans plomb avec un indice de pompe E10.

Ces moteurs sont certifiés pour fonctionner avec de l'essence sans plomb. L'essence sans plomb produit moins de dépôts dans le moteur et les bougies d'allumage et prolonge la durée de vie du système d'échappement.

N'utilisez JAMAIS d'essence éventée ou contaminée ou un mélange huile/essence. Évitez de mettre de la saleté ou de l'eau dans le réservoir de carburant.

De temps en temps, vous pouvez entendre un léger "bruit" ou un "ping" (bruit métallique) lorsque vous utilisez votre véhicule sous forte charge. Il n'y a pas lieu de s'inquiéter.

Si le bruit ou le tintement se produit à un régime régulier du moteur, sous une charge normale, changez de marque d'essence. Si le cliquetis ou le tintement d'étincelles persiste, consultez un concessionnaire agréé.

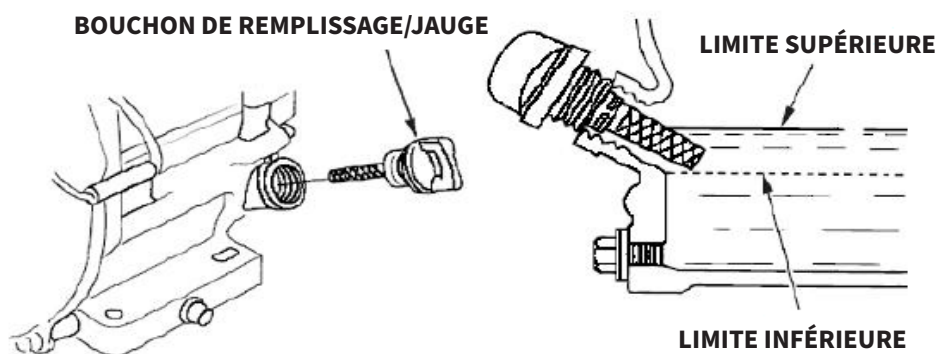
MODE D'EMPLOI

ENTRETIEN DU MOTEUR

CONTRÔLE DU NIVEAU D'HUILE MOTEUR

Vérifiez le niveau d'huile moteur avec le moteur arrêté et en position horizontale.

- Retirez le bouchon de remplissage/la jauge et essuyez-le



- Insérez et retirez la jauge sans la visser dans le goulot de remplissage. Vérifiez le niveau d'huile indiqué sur la jauge.
- Si le niveau d'huile est bas, remplissez jusqu'au bord de l'orifice de remplissage d'huile avec l'huile recommandée.
- Vissez fermement le bouchon de remplissage/la jauge.

Faire tourner le moteur avec un niveau d'huile bas peut l'endommager.

MODE D'EMPLOI

ENTRETIEN DU MOTEUR

CHANGEMENT D'HUILE MOTEUR

Vidangez l'huile usagée pendant que le moteur est chaud. L'huile chaude se vidange rapidement et complètement.

- Placez un récipient approprié sous le moteur pour recueillir l'huile usagée, puis retirez le bouchon de remplissage/la jauge et le bouchon de vidange.
- Laissez l'huile usagée s'écouler complètement, puis remettez le bouchon de vidange en place et serrez-le fermement.

Veuillez jeter l'huile moteur usagée d'une manière propre pour l'environnement. Nous vous suggérons d'apporter l'huile usagée dans un récipient fermé à votre centre de recyclage local.

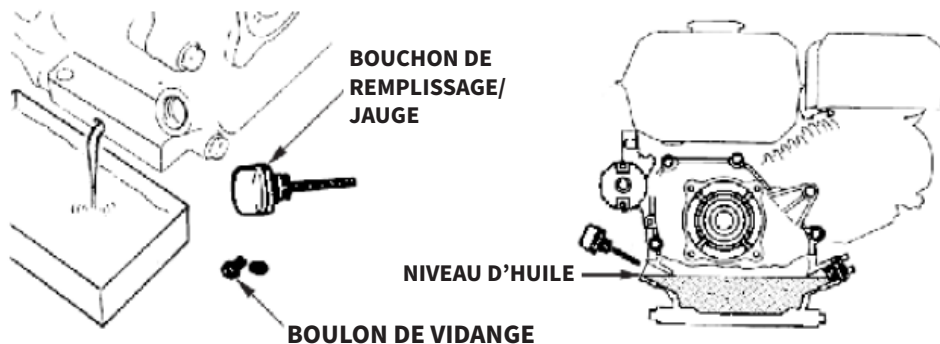
NE JETEZ PAS l'huile dans la poubelle, ne la versez pas sur le sol ou dans une canalisation.

- Avec le moteur en position horizontale, remplissez jusqu'au bord extérieur de l'orifice de remplissage d'huile avec l'huile recommandée.
- Vissez fermement le bouchon de remplissage/la jauge.

Faire tourner le moteur avec un niveau d'huile bas peut l'endommager.

Le système d'alerte d'huile (selon le type de moteur) arrête automatiquement le moteur avant que le niveau d'huile ne tombe en dessous de la limite de sécurité.

Toutefois, pour éviter les désagréments d'un arrêt imprévu, remplissez jusqu'à la limite supérieure et vérifiez régulièrement le niveau d'huile.



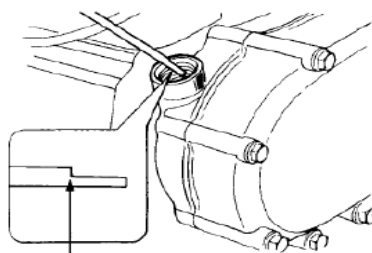
MODE D'EMPLOI

ENTRETIEN DU MOTEUR

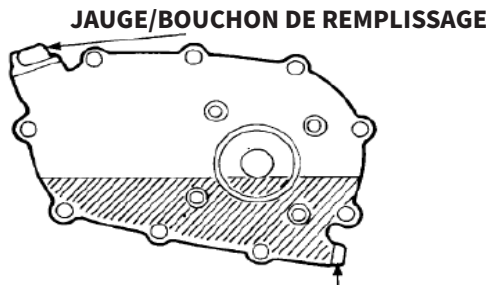
HUILE POUR RÉDUCTEUR

- Retirez le bouchon de remplissage d'huile et nettoyez la jauge d'huile.
- Insérez la jauge dans le goulot de remplissage mais ne la vissez pas.
- Si le niveau est bas, remplissez jusqu'au repère supérieur avec la même huile que celle recommandée pour le moteur.

Capacité d'huile de la G200 - B : 500 cc



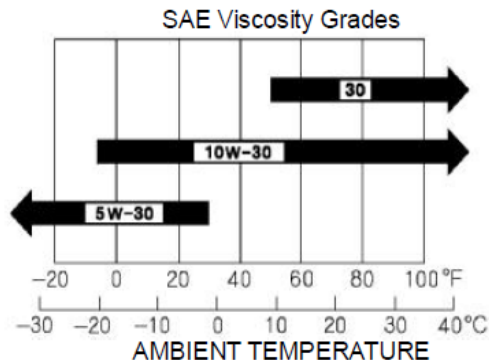
LIMITE SUPÉRIEURE



BOULON DE VIDANGE

RECOMMANDATIONS POUR L'HUILE MOTEUR

L'huile est un facteur important qui affecte les performances et la durée de vie. Utilisez une huile détergente pour moteur 4 temps. SAE 10W-30 est recommandée pour un usage général. Les autres viscosités indiquées dans le tableau peuvent être utilisées lorsque la température moyenne de votre région se situe dans la plage recommandée.



MODE D'EMPLOI

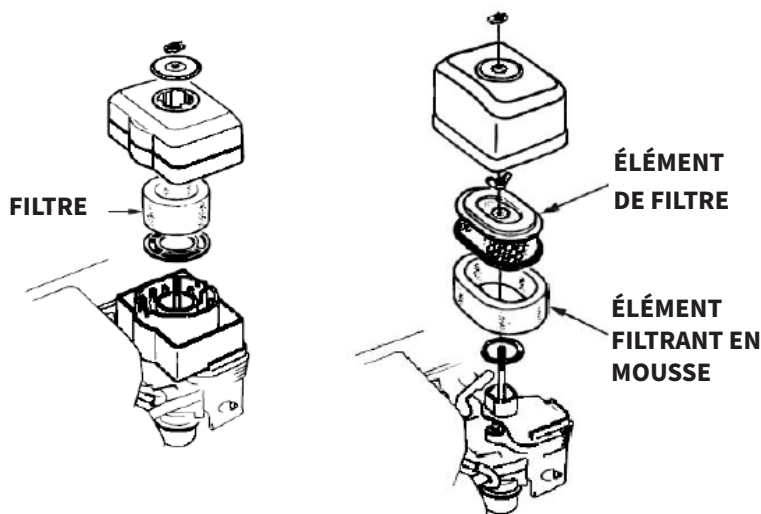
ENTRETIEN DU MOTEUR

INSPECTION DU FILTRE À AIR

Retirez le couvercle du filtre à air et inspectez le filtre. Nettoyez ou remplacez les éléments filtrants sales.

Remplacez toujours les éléments filtrants endommagés.

Si la machine est équipée d'un filtre à air à bain d'huile, vérifiez également le niveau d'huile.



INSPECTION DU FILTRE À AIR

Un filtre à air sale restreint le débit d'air vers le carburateur, ce qui réduit les performances du moteur et peut provoquer une usure et des dommages rapides du moteur.

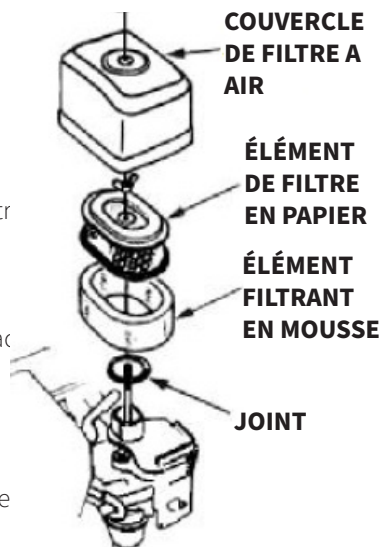
Si vous utilisez le moteur dans des zones très poussiéreuses, nettoyez le filtre à air plus souvent que ce qui est indiqué dans le CALENDRIER D'ENTRETIEN.

MODE D'EMPLOI

ENTRETIEN DU MOTEUR

FILTRES À DOUBLE ÉLÉMENT

- Retirez l'écrou à oreilles du couvercle du filtre à air et retirez le couvercle du filtre à air.
- Retirez l'écrou à ailettes du filtre à air et retirez le filtre
- Retirez le filtre en mousse du filtre en papier.
- Inspectez les deux éléments du filtre à air et remplacez-les s'ils sont endommagés. Remplacez toujours l'élément de filtre à air en papier à l'intervalle prévu.
- Nettoyez les éléments du filtre à air s'ils doivent être réutilisés.



Élément de filtre à air en papier : Tapotez plusieurs fois l'élément du filtre sur une surface dure pour enlever la saleté ou soufflez de l'air comprimé [ne dépassant pas 207 kPa (30 psi)] à travers l'élément du filtre depuis l'intérieur. N'essayez jamais de retirer les saletés à l'aide d'une brosse, car ceci les ferait pénétrer dans les fibres.

Élément de filtre à air en mousse : Nettoyez-le à l'eau chaude savonneuse, rincez-le et laissez-le sécher entièrement. Ou nettoyez-le dans un solvant ininflammable et laissez-le sécher. Plongez l'élément filtrant dans de l'huile moteur propre, puis pressez l'excédent d'huile. Le moteur fumera au démarrage s'il reste trop d'huile dans la mousse.

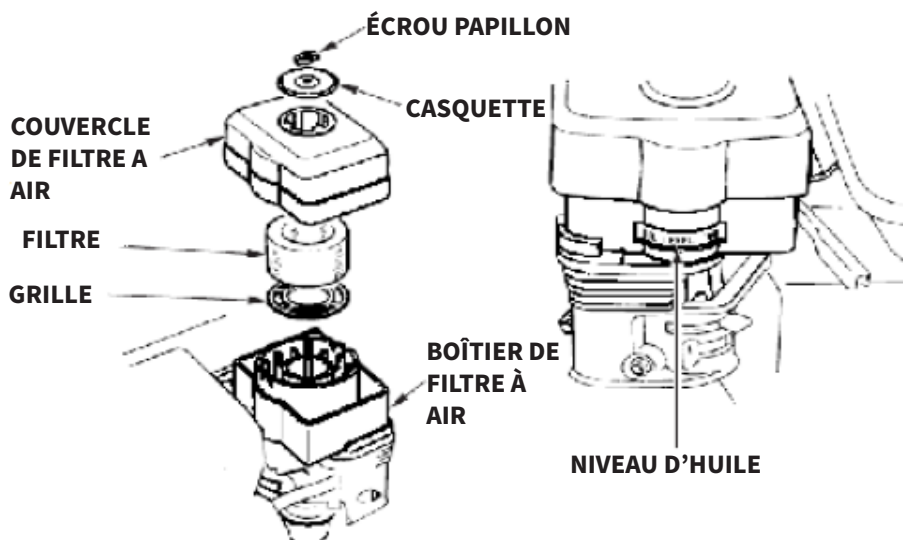
- Essuyez la saleté à l'intérieur de la base et du couvercle du filtre à air, à l'aide d'un chiffon humide. Veillez à empêcher la saleté de pénétrer dans le conduit d'air qui mène au carburateur.
- Placez l'élément de filtre à air en mousse sur l'élément en papier et réinstallez le filtre à air assemblé. Assurez-vous que le joint d'étanchéité est en place sous le filtre à air. Serrez fermement l'écrou à oreilles du filtre à air.
- Installez le couvercle du filtre à air et serrez fermement l'écrou à oreilles du couvercle.

MODE D'EMPLOI

ENTRETIEN DU MOTEUR

Type bain d'huile

- Retirez l'écrou à ailettes et retirez le capuchon et le couvercle du filtre à air.
- Retirez le filtre à air du couvercle. Lavez le couvercle et le filtre dans de l'eau chaude savonneuse, rincez et laissez sécher complètement. Ou nettoyez-les dans un solvant ininflammable et laissez-les sécher.
- Plongez le filtre dans de l'huile moteur propre, puis pressez pour faire sortir tout l'excès d'huile. Le moteur fumera s'il reste trop d'huile dans la mousse.
- Videz l'huile usagée du boîtier du filtre à air, éliminez les saletés accumulées avec un solvant ininflammable et séchez le boîtier.
- Remplissez le boîtier du filtre à air jusqu'au repère de NIVEAU D'HUILE avec l'huile recommandée pour le moteur. Capacité de l'huile : 60 cm³ (2.0 US oz)
- Remontez le filtre à air et serrez fermement l'écrou à oreilles.



MODE D'EMPLOI

ENTRETIEN DU MOTEUR



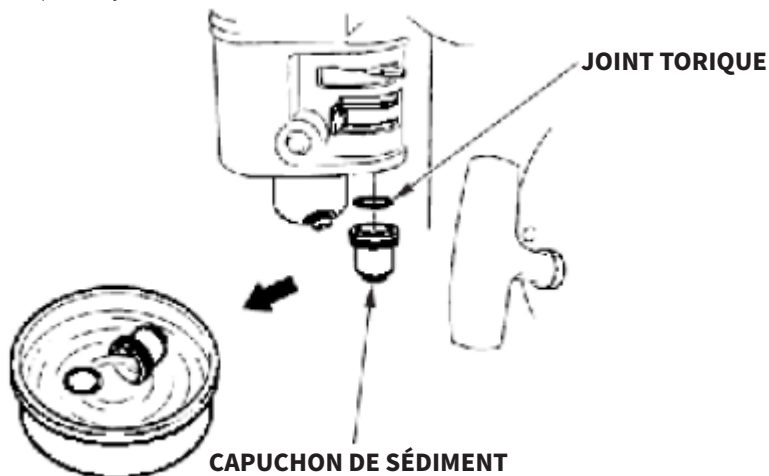
AVERTISSEMENT!

L'essence est hautement inflammable et explosive. Vous pouvez être brûlé ou gravement blessé en manipulant du carburant.

- Arrêtez le moteur et éloignez la chaleur, les étincelles et les flammes.
- Ne manipulez le carburant qu'à l'extérieur.
- Essuyez immédiatement les déversements.

NETTOYAGE DU RÉSERVOIR À SÉDIMENTS

- Placez le robinet de carburant sur la position OFF, puis retirez le réservoir à sédiment et le joint torique.
- Lavez le réservoir à sédiments et le joint torique dans un solvant ininflammable et séchez-les soigneusement.
- Placez le joint torique dans le robinet de carburant et installez la coupelle à sédiments. Serrez fermement le réservoir à sédiments.
- Placez la vanne de carburant en position ON et vérifiez l'absence de fuites. Remplacez le joint torique s'il y a des fuites.



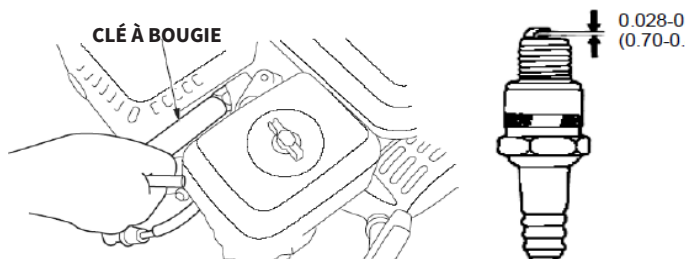
MODE D'EMPLOI

ENTRETIEN DU MOTEUR

ENTRETIEN DES BOUGIES D'ALLUMAGE

Bougies recommandées : F7RTC ou autres équivalents. Une bougie d'allumage incorrecte peut endommager le moteur

- Débranchez le capuchon de la bougie et retirez toute saleté autour de la zone de la bougie.
- Retirez la bougie d'allumage avec une clé à bougie



- Mesurer l'écartement des électrodes de la bougie avec une jauge appropriée.
- L'écart doit être de 0,028 po -0,031 po (0,70 mm - 0,80 mm). Corrigez l'écart, si nécessaire, en pliant soigneusement l'électrode latérale.
- Installez soigneusement la bougie d'allumage, à la main, pour éviter de fausser le filetage.
- Une fois les sièges de la bougie d'allumage, serrez avec une clé à bougie pour comprimer l'eau.

Si vous réinstallez la bougie d'allumage usagée, serrez de 1/8 à 1/4 de tour après le siège de la bougie.

Si vous installez une nouvelle bougie, serrez de 1/2 tour après le siège de la bougie.

- Fixez le capuchon de la bougie.

MODE D'EMPLOI

ENTRETIEN DU MOTEUR

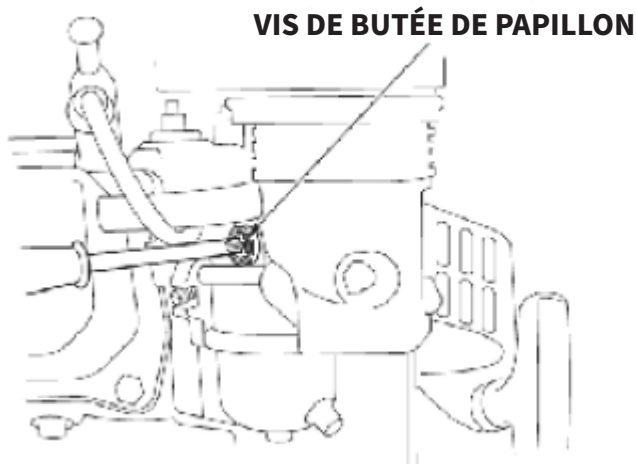


AVERTISSEMENT!

Une bougie desserrée peut surchauffer et endommager le moteur.
Un serrage excessif de la bougie peut endommager les filets de la culasse.

RÉGLAGE DU RÉGIME DE RALENTI

- Démarrez le moteur à l'extérieur et laissez-le se réchauffer jusqu'à la température de fonctionnement.
- Placez la manette d'accélérateur dans sa position la plus lente.
- Tournez la vis de butée de l'accélérateur pour obtenir le régime de ralenti standard.
Régime de ralenti standard : $1\,400 \pm 150$ tr/min.



MODE D'EMPLOI

STOCKAGE/ TRANSPORT

ENTREPOSAGE DU MOTEUR

PRÉPARATION À L'ENTREPOSAGE

Une bonne préparation à l'entreposage est essentielle pour que votre moteur ne connaisse pas de problèmes et reste en bon état. Les étapes suivantes vous aideront à empêcher la rouille et la corrosion de nuire au fonctionnement et à l'apparence de votre moteur et faciliteront son démarrage après le stockage.

NETTOYAGE

Si le moteur a tourné, laissez-le refroidir pendant au moins une demi-heure avant de le nettoyer. Nettoyez toutes les surfaces extérieures, retouchez toute peinture endommagée et enduisez d'un léger film d'huile les autres zones susceptibles de rouiller.



AVERTISSEMENT!

L'utilisation d'un tuyau d'arrosage ou d'un équipement de lavage sous pression peut forcer l'eau à pénétrer dans l'ouverture du filtre à air ou du silencieux. L'eau présente dans le filtre à air imbibé le filtre à air, et l'eau qui traverse le filtre à air ou le silencieux peut pénétrer dans le cylindre et l'endommager.



AVERTISSEMENT!

L'eau qui entre en contact avec un moteur chaud peut l'endommager. Si le moteur a tourné, laissez-le refroidir pendant au moins une demi-heure avant de le laver.

CARBURANT

L'essence s'oxyde et se détériore pendant l'entreposage. La vieille essence provoque des difficultés de démarrage et laissera des dépôts de gomme qui obstruent le circuit de carburant. Si l'essence de votre moteur se détériore pendant l'entreposage, vous devrez peut-être faire réviser ou remplacer le carburateur et d'autres composants du système d'alimentation.

MODE D'EMPLOI

STOCKAGE/ TRANSPORT

La durée pendant laquelle l'essence peut rester dans votre réservoir et votre carburateur sans causer de problèmes de fonctionnement varie en fonction de facteurs tels que le mélange d'essence, les températures d'entreposage et le fait que le réservoir soit partiellement ou totalement rempli. L'air présent dans un réservoir partiellement rempli favorise la détérioration du carburant. Les températures d'entreposage très chaudes accélèrent la détérioration du carburant. Les problèmes de détérioration du carburant peuvent survenir au bout de quelques mois, voire moins si l'essence n'était pas neuve lorsque vous avez rempli le réservoir.

La garantie limitée du distributeur ne couvre pas les dommages au système d'alimentation en carburant ni les problèmes de performance du moteur résultant d'une préparation négligée du stockage.

Vous pouvez prolonger la durée de stockage du carburant en ajoutant un stabilisateur de carburant formulé à cet effet, ou vous pouvez éviter les problèmes de détérioration du carburant en vidant le réservoir et le carburateur.

AJOUT D'UN STABILISATEUR DE CARBURANT POUR PROLONGER LA DURÉE DE STOCKAGE DU CARBURANT

Lorsque vous ajoutez un stabilisateur de carburant, remplissez le réservoir d'essence neuve. S'il n'est que partiellement rempli, l'air présent dans le réservoir favorisera la détérioration du carburant pendant le stockage. Si vous conservez un récipient d'essence pour le ravitaillement, assurez-vous qu'il ne contient que de l'essence fraîche.

Ajoutez un stabilisateur de carburant en suivant les instructions du fabricant.

Après avoir ajouté un stabilisateur de carburant, faites tourner le moteur à l'extérieur pendant 10 minutes pour vous assurer que l'essence traitée a remplacé l'essence non traitée dans le carburateur.

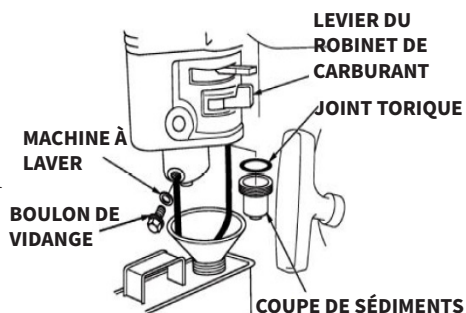
Arrêtez le moteur et mettez la vanne de carburant en position OFF.

MODE D'EMPLOI

STOCKAGE/ TRANSPORT

VIDANGE DU RÉSERVOIR DE CARBURANT ET DU CARBURATEUR

- Placez un récipient à essence homologué sous le carburateur et utilisez un entonnoir pour éviter de renverser du carburant.
- Retirez le boulon de vidange du carburateur et le réservoir à sédiments, puis placez le levier du robinet d'essence en position ON.
- Une fois que tout le carburant s'est écoulé dans le récipient, remettez en place le boulon de vidange et le réservoir à sédiments. Serrez-les fermement.



PRÉCAUTIONS DE STOCKAGE

- Changez l'huile moteur.
- Retirez les bougies d'allumage.
- Versez une cuillère à soupe (5-10 cc) d'huile moteur propre dans le cylindre.
- Tirez plusieurs fois sur la corde du démarreur pour répartir l'huile dans le cylindre.
- Réinstallez les bougies d'allumage.
- Tirez lentement sur la corde du démarreur jusqu'à ce que vous sentiez une résistance.

Ceci fermera les soupapes afin que l'humidité ne puisse pas pénétrer dans le cylindre du moteur. Ramenez la corde du démarreur doucement.

MODE D'EMPLOI

STOCKAGE/ TRANSPORT

Si votre moteur doit être stocké avec de l'essence dans le réservoir et le carburateur, il est important de réduire le risque d'inflammation des vapeurs d'essence. Choisissez une zone de stockage bien ventilée, éloignée de tout appareil fonctionnant avec une flamme, tel qu'une chaudière, un chauffe-eau ou un sèche-linge. Évitez également toute zone où se trouve un moteur électrique produisant des étincelles ou où l'on utilise des outils électriques.

Si possible, évitez les zones de stockage où l'humidité est élevée, car celle-ci favorise la rouille et la corrosion.

À moins que tout le carburant n'ait été vidangé du réservoir, laissez le levier du robinet du carburant en position OFF pour réduire le risque de fuite de carburant.

Placez l'équipement de façon que le moteur soit à niveau. Un basculement peut provoquer une fuite de carburant ou d'huile.

Lorsque le moteur et le système d'échappement sont refroidis, couvrez le moteur pour empêcher la poussière d'entrer. Un moteur et un système d'échappement chauds peuvent enflammer ou faire fondre certains matériaux. N'utilisez pas de feuille de plastique comme protection contre la poussière. Une couverture non poreuse retiendra l'humidité autour du moteur, favorisant la rouille et la corrosion.

Si le moteur est équipé d'une batterie pour un démarreur électrique, rechargez la batterie une fois par mois pendant que le moteur est entreposé. Ceci contribuera à prolonger la durée de vie de la batterie.

MODE D'EMPLOI

STOCKAGE/ TRANSPORT

RETRAIT DE L'ENTREPOSAGE

Vérifiez votre moteur comme décrit dans le chapitre VÉRIFICATION AVANT UTILISATION.

Si le carburant a été vidangé pendant la préparation du stockage, remplissez le réservoir avec de l'essence fraîche. Si vous conservez un récipient d'essence pour faire le plein, assurez-vous qu'il ne contient que de l'essence fraîche.

L'essence s'oxyde et se détériore avec le temps, ce qui provoque des démarrages difficiles.

Si les cylindres ont été enduits d'huile pendant la préparation du stockage, le moteur peut fumer brièvement au démarrage. Ce phénomène est normal.

TRANSPORT

Si le moteur a tourné, laissez-le refroidir pendant au moins 15 minutes avant de charger l'équipement motorisé sur le véhicule de transport. Un moteur et un système d'échappement chauds peuvent vous brûler et enflammer certains matériaux.

Maintenez le moteur à niveau lors du transport afin de réduire les risques de fuite de carburant. Placez le levier de la vanne de carburant en position OFF.

DÉPANNAGE

GUIDE DE RÉOLUTION

QUE FAIRE S'IL MANQUE DES PIÈCES À MA COMMANDE ?

Si des pièces manquent à votre commande, veuillez contacter notre équipe du service client dans les 7 jours suivant la réception de votre commande.

LE MOTEUR NE DÉMARRE PAS	CAUSE POSSIBLE	CORRECTION
Démarrage électrique : vérifier la batterie	La batterie est déchargée.	Rechargez la batterie.
Vérifier les positions des commandes	Robinet de carburant OFF	Placez le levier sur ON
	Starter OUVERT	Placez le levier en position CLOSE, sauf si le moteur est chaud.
	Interrupteur du moteur OFF	Mettez l'interrupteur du moteur sur ON
Vérifier le carburant.	Panne d'essence	Faites le plein de carburant
	Mauvais carburant ; moteur stocké sans traitement ni vidange de l'essence, ou ravitaillement avec de la mauvaise essence.	Vidangez le réservoir de carburant et le carburateur. Faites le plein avec de l'essence fraîche.
Retirer et inspecter les bougies d'allumage	Bougies d'allumage défectueuses, encrassées ou mal réglées.	Ajustez l'écartement ou remplacez les bougies d'allumage.
	Bougies d'allumage mouillées par le carburant (moteur noyé).	Sécher et réinstaller les bougies d'allumage. Démarrez le moteur avec la manette des gaz en position FAST.
Amenez le moteur chez un réparateur agréé ou consultez le manuel.	Filtre à carburant bouché, mauvais fonctionnement du carburateur, mauvais fonctionnement de l'allumage, soupape bloquée, etc.	Remplacez ou réparez les composants défectueux si nécessaire.

DÉPANNAGE

GUIDE DE RÉOLUTION

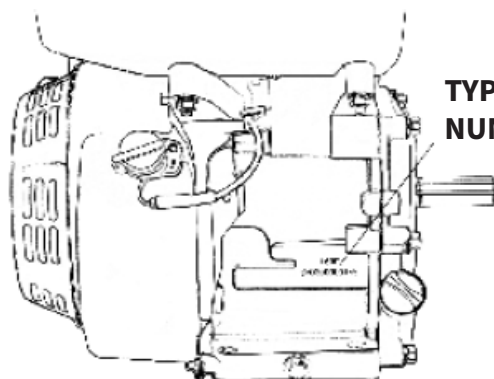
LE MOTEUR MANQUE DE PUISSANCE	CAUSE POSSIBLE	CORRECTION
Vérifier le filtre à air	Élément(s) filtrant(s) bouché(s).	Nettoyez ou remplacez-le(s) élément(s) filtrant(s).
Vérifiez le carburant.	Panne de carburant.	Faites le plein.
	Mauvais carburant : le moteur a été stocké sans traitement ni vidange de l'essence, ou a été ravitaillé avec de la mauvaise essence.	Vidangez le réservoir de carburant et le carburateur. Faites le plein avec de l'essence fraîche.
Amenez le moteur chez un réparateur agréé ou consultez le manuel.	mauvaise essence.	Remplacez ou réparez les composants défectueux si nécessaire.

POUR TOUTE AUTRE DEMANDE, VEUILLEZ CONTACTER NOTRE ÉQUIPE DU SERVICE CLIENT.

DÉPANNAGE

INFORMATIONS TECHNIQUES

EMPLACEMENT DU NUMÉRO DE SÉRIE



**TYPE DE MOTEUR
NUMÉRO DE SÉRIE**

Inscrivez le numéro de série du moteur dans l'espace ci-dessous. Vous aurez besoin de ce numéro de série pour commander des pièces et pour toute question technique ou de garantie.

Numéro de série du moteur : _____

CONNEXIONS DE LA BATTERIE POUR LE DÉMARREUR ÉLECTRIQUE

Utilisez une batterie de 12 volts d'un ampérage d'au moins 18 Ah.

Veillez à ne pas connecter la batterie en inversant la polarité, car ceci provoquerait un court-circuit du système de charge de la batterie. Connectez toujours le câble positif (+) de la batterie à la borne de la batterie avant de connecter le câble négatif (-) de la batterie, afin que vos outils ne puissent pas provoquer de court-circuit s'ils touchent une partie mise à la terre pendant que vous serrez l'extrémité du câble positif (+) de la batterie.

INFORMATIONS COMPLÉMENTAIRES

INFORMATION TECHNIQUES

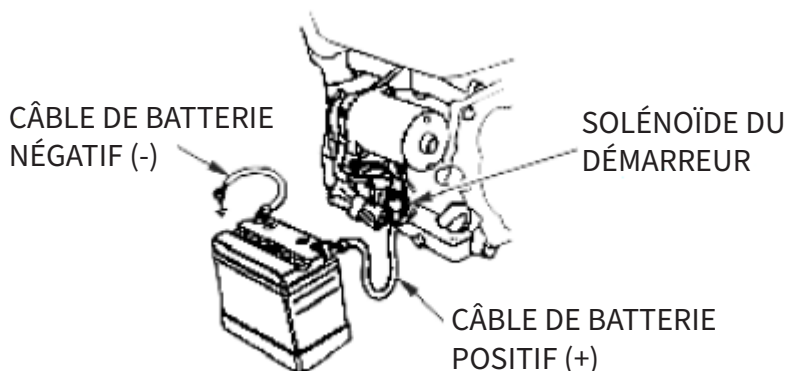


AVERTISSEMENT!

Une batterie peut exploser si vous ne suivez pas la procédure correcte et blesser gravement toute personne se trouvant à proximité.

Maintenez toutes les étincelles, les flammes nues et les matériaux fumants à l'écart de la batterie.

- Connectez le câble positif (+) de la batterie à la borne du solénoïde du démarreur, comme illustré.
- Connectez le câble négatif (-) de la batterie à un boulon de montage du moteur, à un boulon du cadre ou à une autre bonne connexion de masse du moteur.
- Connectez le câble positif (+) de la batterie à la borne positive (+) de la batterie, comme illustré.
- Connectez le câble négatif (-) de la batterie à la borne négative (-) de la batterie, comme illustré.
- Enduisez les bornes et les extrémités des câbles de graisse.



INFORMATIONS COMPLÉMENTAIRES

INFORMATION TECHNIQUES

MODIFICATION DU CARBURATEUR POUR LE FONCTIONNEMENT EN HAUTE ALTITUDE

À haute altitude, le mélange air-carburant standard du carburateur sera trop riche. Les performances diminuent et la consommation de carburant augmente. Un mélange très riche encrasse également la bougie d'allumage et provoque des difficultés de démarrage. Le fonctionnement à une altitude différente de celle à laquelle ce moteur a été certifié, pendant des périodes prolongées, peut augmenter les émissions.

Les performances en haute altitude peuvent être améliorées par des modifications spécifiques du carburateur. Si vous utilisez toujours votre moteur à des altitudes supérieures à 1 500 mètres, demandez à votre revendeur d'effectuer cette modification du carburateur. Ce moteur, lorsqu'il est utilisé en haute altitude avec les modifications du carburateur pour une utilisation en haute altitude, répondra à chaque norme d'émission tout au long de sa vie utile.

Même avec la modification du carburateur, la puissance du moteur diminuera d'environ 3,5 % pour chaque augmentation de 300 mètres d'altitude. L'effet de l'altitude sur la puissance sera plus important si aucune modification n'est apportée au carburateur.



AVERTISSEMENT

Lorsque le carburateur a été modifié pour un fonctionnement en haute altitude, le mélange air-carburant est trop pauvre pour une utilisation à basse altitude. L'utilisation à des altitudes inférieures à 1 500 mètres (5 000 pieds) avec un carburateur modifié peut provoquer une surchauffe du moteur et l'endommager gravement. Pour une utilisation à basse altitude, demandez à votre concessionnaire de remettre le carburateur aux spécifications d'origine de l'usine.

INFORMATIONS COMPLÉMENTAIRES

INFORMATION TECHNIQUES

CARBURANTS OXYGÉNÉS

Certaines essences classiques sont mélangées à de l'alcool ou à un dérivé d'éther. Ces essences sont collectivement appelées carburants oxygénés.

Pour répondre aux normes de pureté de l'air, certaines régions utilisent des carburants oxygénés pour aider à réduire les émissions.

Si vous utilisez un carburant oxygéné, assurez-vous qu'il soit sans plomb et qu'il respecte l'indice d'octane minimum requis.

Avant d'utiliser un carburant oxygéné, essayez de confirmer le contenu du carburant. Certaines régions exigent que cette information soit affichée sur la pompe.

Voici les pourcentages de composés oxygénés approuvés par l'EPA :

ETHANOL - (alcool éthylique ou alcool de grain) 10% en volume

Vous pouvez utiliser de l'essence contenant jusqu'à 10 % d'éthanol en volume. L'essence contenant de l'éthanol peut être commercialisée sous le nom de "essence E10".

Si vous remarquez des symptômes de fonctionnement indésirables, essayez une autre station-service ou changez de marque d'essence.

Les dommages au système d'alimentation ou les problèmes de performance résultant de l'utilisation d'un carburant oxygéné contenant plus que les pourcentages d'oxygénés mentionnés ci-dessus ne sont pas couverts par la garantie.

INFORMATIONS COMPLÉMENTAIRES

INFORMATION SUR LE SYSTÈME DE CONTRÔLE DES ÉMISSIONS

SOURCE DES ÉMISSIONS

Le processus de combustion produit du monoxyde de carbone, des oxydes d'azote et des hydrocarbures. Le contrôle des hydrocarbures et des oxydes d'azote est très important car, dans certaines conditions, ils réagissent pour former du smog photochimique lorsqu'ils sont soumis à la lumière du soleil. Le monoxyde de carbone ne réagit pas de la même manière, mais il est toxique.

Ce système utilise des réglages de carburateur pauvre et d'autres systèmes pour réduire les émissions de monoxyde de carbone, d'oxydes d'azote et d'hydrocarbures.

FALSIFICATION ET MODIFICATION

La manipulation ou la modification du système de contrôle des émissions peut augmenter les émissions au-delà de la limite légale. Parmi les actes qui constituent une altération, citons :

- L'altération ou la modification de toute partie des systèmes d'admission, de carburant ou d'échappement.
- La modification ou la neutralisation de la tringlerie du régulateur ou du mécanisme de réglage de la vitesse pour faire fonctionner le moteur en dehors de ses paramètres de conception.

PROBLÈMES POUVANT AFFECTER LES ÉMISSIONS

Si vous constatez l'un des symptômes suivants, faites inspecter et réparer votre moteur par votre concessionnaire réparateur.

- Démarrage difficile ou calage après le démarrage.
- Ralenti difficile.
- Mauvaise combustion ou retour de flamme sous charge.
- Postcombustion (retour de flamme).
- Fumée d'échappement noire ou consommation de carburant élevée.

INFORMATIONS COMPLÉMENTAIRES

INFORMATION SUR LE SYSTÈME DE CONTRÔLE DES ÉMISSIONS

PIÈCES DE RECHANGE

Nous recommandons l'utilisation de pièces d'origine chaque fois que vous faites effectuer un entretien. Ces pièces de rechange de conception originale sont fabriquées selon les mêmes normes que les pièces d'origine, vous pouvez donc être sûr de leurs performances. L'utilisation de pièces de rechange qui ne sont pas de conception et de qualité originales peut nuire à l'efficacité de votre système antipollution.

Le fabricant d'une pièce de rechange assume la responsabilité que la pièce n'aura pas d'effet négatif sur les performances en matière d'émissions. Le fabricant ou le constructeur de la pièce doit certifier que l'utilisation de la pièce n'entraînera pas la non-conformité du moteur aux réglementations sur les émissions.

ENTRETIEN

Suivez le programme d'entretien. N'oubliez pas que ce programme part du principe que votre machine sera utilisée de façon conforme. Un fonctionnement prolongé à haute charge ou à haute température, ou une utilisation dans des conditions inhabituellement humides ou poussiéreuses, nécessitera un entretien plus fréquent.

MISE AU POINT DU MOTEUR

PIÈCE	SPÉCIFICATION
Ecart de la bougie d'allumage	0.028-0.031 in (0.70 mm -0.80 mm)
Jeu des soupapes	0.15 mm±0.02 mm (froid) EX: 0.20 mm±0.02 mm (froid)
Autres spécifications	Aucun autre ajustement nécessaire

INFORMATIONS COMPLÉMENTAIRES

INFORMATION CONSOMMATEUR

PUBLICATIONS

Ces publications vous donneront des informations supplémentaires pour l'entretien et la réparation de votre moteur. Vous pouvez les commander auprès de votre revendeur de moteurs.

CATALOGUE DE PIÈCES

Ce manuel fournit des listes de pièces complètes et illustrées.

INFORMATIONS DE RÉFÉRENCE RAPIDE

Huile moteur	Type	SAE 10W-30, API SE ou SF, pour usage général
	Capacité	G200F : 0,6 L
Bougie d'allumage	Type	F7RTC ou autres équivalents.
	Écart	0,028-0,031 in (0,70 mm-0,80 mm)
Carburateur	Vitesse au ralenti	1400 tr/min±150 tr/min
Entretien	Chaque utilisation	Vérifier l'huile moteur. Vérifier le filtre à air.
	20 premières heures	Changez l'huile moteur.
	Suivantes	Reportez-vous à l'entretien

INFORMATIONS COMPLÉMENTAIRES

SPÉCIFICATIONS

Type	Monocylindre, 4 temps, refroidissement par air forcé, soupapes en tête (OHV)
Puissance nominale (kW/3600rpm)	3.8
Couple maximal (N-m/rpm)	13/3000
Consommation de carburant (g/kW-h)	≤395
Vitesse au ralenti	1400±150
Rapport de fluctuation de vitesse	≤10%
Mode de transmission	-
Rapport de réduction	-
Bruit (≤)	70db(A)
Alésage Course (mm)	68×54
Déplacement (cc)	196
Rapport de compression	8.5:1
Mode de lubrification	Projection
Mode de démarrage	Démarrage à rappel (Démarrage manuel / Démarrage électrique)
Rotation	Sens inverse des aiguilles d'une montre (du côté de la prise de force)
Jeu des soupapes	Soupape d'entrée - 0,10 - 0,15mm, soupape de sortie - 0,15 - 0,20mm
Jeu de la bougie d'allumage	0.7 - 0.8mm
Mode d'allumage	Magnéto transistorisée Allumage
Filtre à air	Semi-sec, bain d'huile, filtre en mousse
Dimension (longueur)	312mm
Dimension (Largeur)	376mm
Dimension (Hauteur)	335mm
Poids net (kg)	16(19)

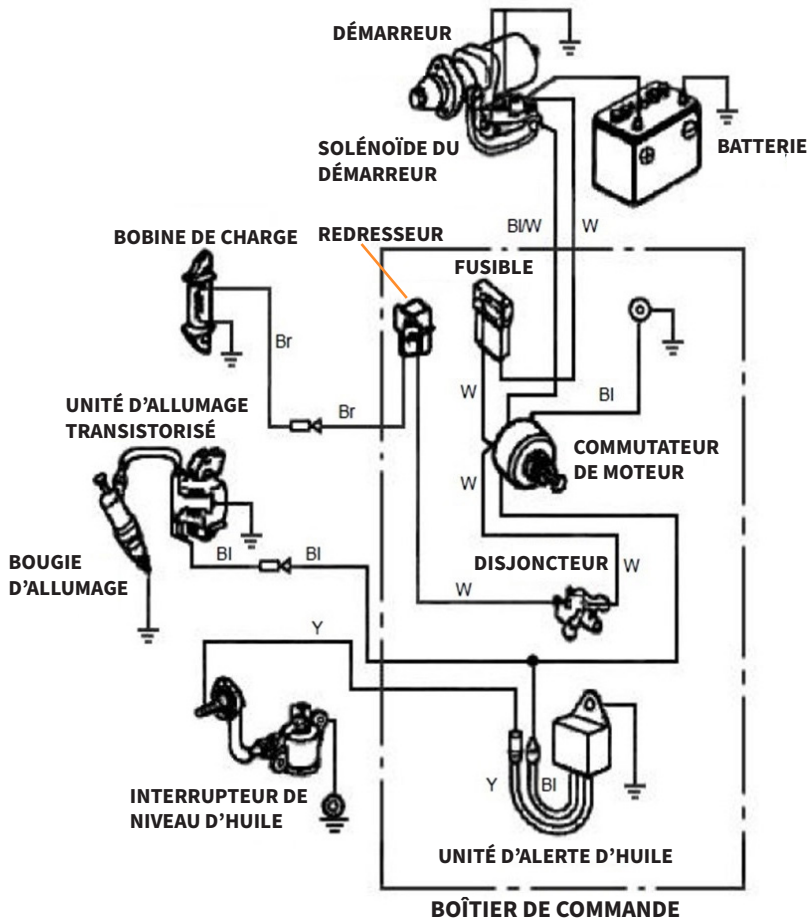
INFORMATIONS COMPLÉMENTAIRES

SCHÉMAS DE CÂBLAGE

COMMUTATEUR MOTEUR

	IG	E	ST	BAT
OFF	O	O		
ON				
MARCHE			O	O

BI	NOIR	BR	MARRON
Y	JAUNE	R	ROUGE
W	BLANC	G	VERT

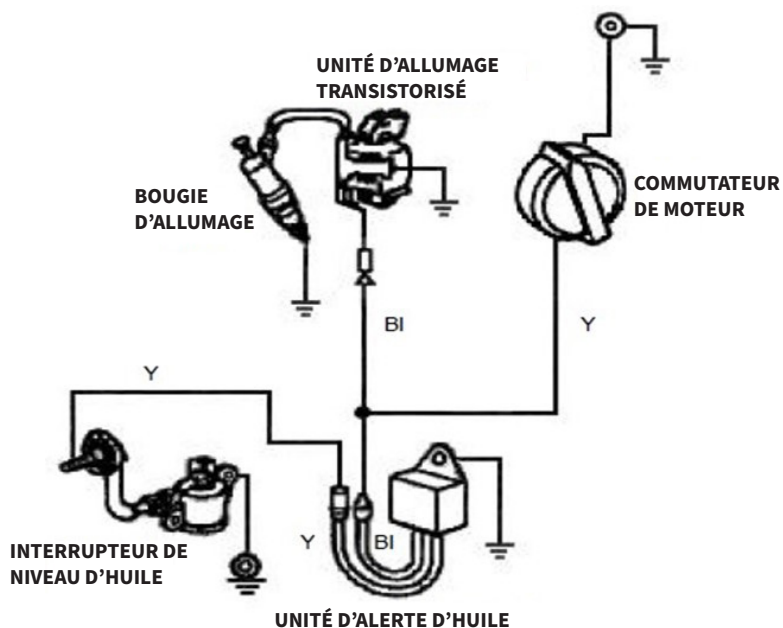


INFORMATIONS COMPLÉMENTAIRES

SCHÉMAS DE CÂBLAGE

TYPE DE MOTEUR AVEC ALERTE À L'HUILE ET SANS DÉMARRAGE ÉLECTRIQUE

Bl	NOIR
Y	JAUNE
G	VERT



INFORMATIONS COMPLÉMENTAIRES

PIÈCES OPTIONNELLES

BATTERIE

BATTERIE – PIÈCE OPTIONNELLE

Utilisez une batterie de 12V, 18Ah ou plus.



AVERTISSEMENT!

Ne pas inverser la polarité. Vous risqueriez d'endommager gravement le moteur et/ou la batterie.



AVERTISSEMENT!

Une batterie peut exploser si vous ne suivez pas la procédure correcte et blesser gravement toute personne se trouvant à proximité. Maintenez toutes les étincelles, les flammes nues et les matériaux fumants à l'écart de la batterie.

Vérifiez le niveau d'électrolyte pour vous assurer qu'il se trouve entre les marques sur le boîtier. Si le niveau est inférieur à la marque inférieure, retirez les bouchons et ajoutez de l'eau distillée pour amener le niveau d'électrolyte à la marque supérieure. Les cellules doivent être également remplies.

SPEZIFIKATIONEN

PRODUKTBEZEICHNUNG

Ihr neuer Minitransporter wird Ihre Erwartungen mehr als erfüllen. Er wurde unter strengen Qualitätsstandards hergestellt und erfüllt höchste Leistungskriterien. Sie werden feststellen, dass er einfach und sicher zu bedienen ist, und bei richtiger Pflege viele Jahre zuverlässige Dienste leisten wird.

Das Herzstück der Einheit ist das Viergang-Getriebe, drei Vorwärts- und ein Rückwärtsgang. Es ist überdimensioniert, um die großen Drehmomente, die der Motor erzeugt, sicher zu bewältigen. Dank seines effizienten Untersetzungsgetriebes ist es in der Lage, sich in jeder Situation zu bewegen und jede Last zu tragen.

Der Motorhersteller ist für alle motorbezogenen Fragen in Bezug auf Leistung, Nennleistung, Spezifikationen, Garantie und Service verantwortlich. Bitte beachten Sie den Abschnitt Motorhandbuch.

PRODUKTSPEZIFIKATIONEN

Motor	196 ccm 6,5 PS
Kraftstofftyp	Bleifrei (95)
Übertragung	3F + 1R
Tragfähigkeit	300kg
Kastenlänge	907-1004mm
Kastenbreite	600-860 mm
Kastentiefe	210mm
Spurbreite	180mm
Schallleistungspegel	103dB
Gewicht	178kg

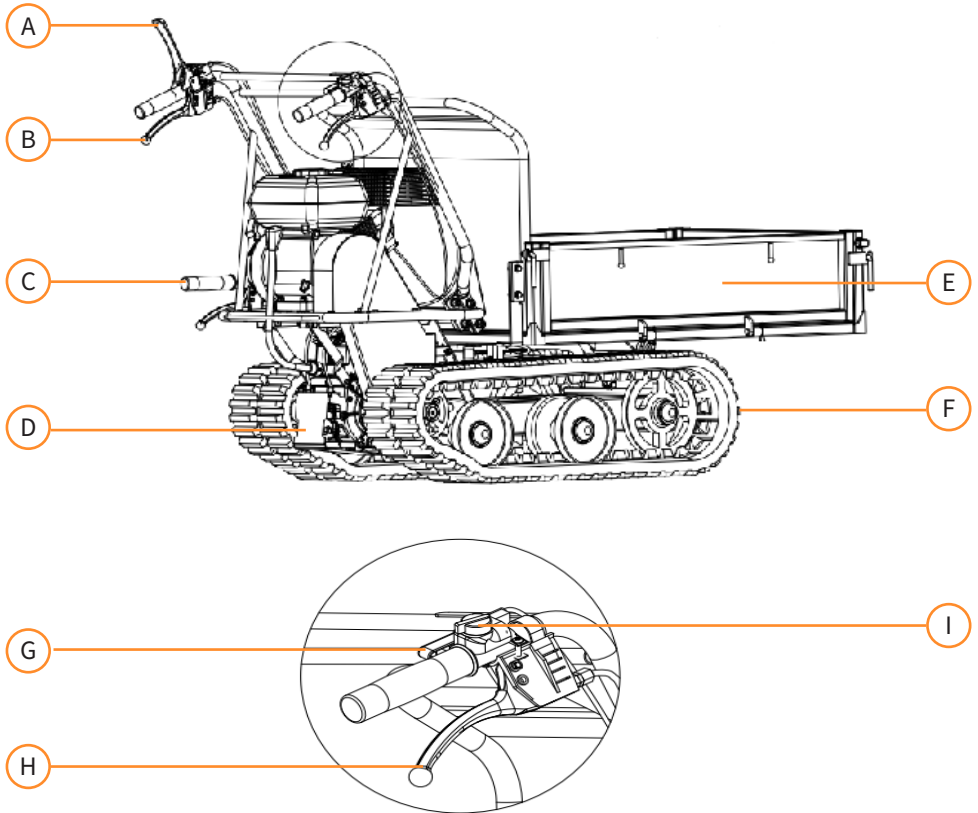
INHALT DES ARTIKELS

Teil Nr.	Beschreibung	Menge
1	Hauptrahmen	1
2	Montage des Lenkers	1
3	Kippbarer Handgriff	1
4	Kipperkasten	1
5	Gebrauchsanweisung	1

SPEZIFIKATIONEN

PRODUKTBEZEICHNUNG

- | | | | |
|----|-----------------------|----|------------------------|
| A. | Kupplungshebel | F. | Spur |
| B. | Linker Lenkstockhebel | G. | Drosselklappenhebel |
| C. | Kippbarer Handgriff | H. | Rechter Lenkstockhebel |
| D. | Getriebe | I. | Ein/Aus-Schalter |
| E. | Kipperkasten | | |



Die Haftung von Monster Group UK Limited ist auf den Handelswert des Produkts beschränkt.

SICHERHEITSHINWEIS

SICHERE ARBEITSWEISE



WARNUNG!

Dieses Gerät darf nur von Personen über 18 Jahren benutzt werden.

Verstehen Sie Ihre Maschine

- Lesen und verstehen Sie die Betriebsanleitung und die angebrachten Schilder. Machen Sie sich mit der Anwendung und den Grenzen der Maschine sowie mit den Gefahren vertraut, die mit ihr verbunden sind.
- Machen Sie sich gründlich mit den Bedienelementen und ihrer ordnungsgemäßen Bedienung vertraut. Sie wissen, wie Sie die Maschine anhalten und die Bedienelemente schnell ausschalten können.
- Stellen Sie sicher, dass Sie alle Anweisungen und Sicherheitshinweise, die im Abschnitt Motorhandbuch beschrieben sind, gelesen und verstanden haben.
- Versuchen Sie NICHT, die Maschine zu bedienen, bevor Sie nicht vollständig verstanden haben, wie der Motor ordnungsgemäß bedient und gewartet wird und wie Sie Unfallverletzungen und/oder Sachschäden vermeiden können.

Arbeitsbereich

- Starten oder nutzen Sie die Maschine NICHT in geschlossenen Räumen. Die entstehenden Abgase sind gefährlich und enthalten Kohlenmonoxid, ein geruchloses und tödliches Gas. Betreiben Sie das Gerät nur in gut belüfteten Außenbereichen.
- Betreiben Sie die Maschine NICHT ohne gute Sicht oder Licht.

SICHERHEITSHINWEIS

SICHERE ARBEITSWEISE

Angemessene Kleidung

- Tragen Sie dicke lange Hosen, Stiefel und Handschuhe.
- Tragen Sie KEINE weiten Kleidungsstücke, Shorts und Schmuck jeglicher Art.
- Binden Sie langes Haar so, dass es über der Schulterhöhe liegt.
- Halten Sie Ihre Haare, Kleidung und Handschuhe von beweglichen Teilen fern.

Sicherheitsausrüstung verwenden

- Tragen Sie stets Augenschutz. Sicherheitsausrüstungen wie Staubmasken, Schutzhelme oder Gehörschutz, verringern die Personenschäden.
- Überprüfen Sie Ihre Maschine, bevor Sie sie in Betrieb nehmen. Achten Sie darauf, dass Schutzvorrichtungen vorhanden und funktionstüchtig sind. Prüfen Sie, ob alle Muttern, Schrauben usw. fest angezogen sind.
- Nehmen Sie das Gerät NICHT in Betrieb, wenn es reparaturbedürftig oder in einem schlechten mechanischen Zustand ist. Ersetzen Sie beschädigte, fehlende oder defekte Teile, ehe Sie die Maschine einsetzen. Prüfen Sie auf Kraftstofflecks. Halten Sie die Maschine in einem sicheren Betriebszustand.
- Entfernen Sie NICHT die Sicherheitsvorrichtungen und manipulieren Sie sie nicht. Überprüfen Sie regelmäßig deren Funktionstüchtigkeit.
- Verwenden Sie die Maschine NICHT, wenn der Motorschalter sie nicht ein- oder ausschaltet. Jede benzinbetriebene Maschine, die nicht über den Motorschalter gesteuert werden kann, ist gefährlich und muss ersetzt werden.
- Machen Sie es sich zur Gewohnheit zu überprüfen, ob Schlüssel und Einstellschlüssel vor dem Start aus dem Bereich der Maschine entfernt wurden. Ein Schlüssel, der an einem rotierenden Teil der Maschine hängen bleibt, kann zu Verletzungen führen.

SICHERHEITSHINWEIS

SICHERE ARBEITSWEISE

- Bleiben Sie wachsam, passen Sie auf, was Sie tun, und benutzen Sie Ihren Hausverstand, wenn Sie die Maschine bedienen.
- NICHT überziehen.
- Bedienen Sie die Maschine NICHT barfuß, mit Sandalen oder ähnlich leichtem Schuhwerk. Tragen Sie Schutzschuhe, die Ihre Füße schützen und Ihre Standfestigkeit auf rutschigen Oberflächen verbessern. Achten Sie stets auf einen festen Stand und ein gutes Gleichgewicht. Dies ermöglicht eine bessere Kontrolle der Maschine in unerwarteten Situationen.
- Vermeiden Sie versehentliches Starten. Vergewissern Sie sich, dass der Motor ausgeschaltet ist, ehe Sie die Maschine transportieren oder Wartungs- und Instandhaltungsarbeiten durchführen. Der Transport oder die Durchführung von Wartungs- oder Servicearbeiten mit eingeschaltetem Motor lädt zu Unfällen ein.

Persönliche Sicherheit

- Bedienen Sie das Gerät NICHT, wenn Sie unter dem Einfluss von Drogen, Alkohol oder Medikamenten stehen, die Ihre Fähigkeit zur ordnungsgemäßen Bedienung beeinträchtigen könnten.

Sicherheit von Kraftstoffen

- Kraftstoff ist leicht entzündlich, und seine Dämpfe können bei Entzündung explodieren. Treffen Sie bei der Verwendung von Kraftstoff Vorsichtsmaßnahmen, um die Gefahr schwerer Verletzungen zu verringern.
- Wenn Sie den Kraftstofftank auffüllen oder entleeren, verwenden Sie einen zugelassenen Kraftstoffbehälter und halten Sie sich in einem sauberen, gut belüfteten Außenbereich auf.
- Rauchen Sie NICHT und lassen Sie keine Funken, offene Flammen oder andere Zündquellen in der Nähe zu, während Sie Kraftstoff nachfüllen oder das Gerät betreiben. Füllen Sie den Kraftstofftank nicht in geschlossenen Räumen.

SICHERHEITSHINWEIS

SICHERE ARBEITSWEISE

- Halten Sie geerdete, leitende Gegenstände, wie z. B. Werkzeuge, von freiliegenden, spannungsführenden elektrischen Teilen und Anschlüssen fern, um Funkenbildung oder Lichtbögen zu vermeiden. Diese Ereignisse können Dämpfe entzünden.
- Stellen Sie den Motor immer ab und lassen Sie ihn abkühlen, bevor Sie den Kraftstofftank auffüllen. Nehmen Sie niemals den Deckel des Kraftstofftanks ab und füllen Sie keinen Kraftstoff ein, während der Motor läuft oder heiß ist.
- Betreiben Sie die Maschine NICHT bei bekannten Lecks im Kraftstoffsystem.
- Lösen Sie den Tankdeckel langsam, um den Druck im Tank abzulassen.
- Füllen Sie den Kraftstofftank nie zu voll. Beüllen Sie ihn nicht tiefer als 12,5 mm (1/2") unter dem Boden des Einfüllstutzens, um Raum für Ausdehnung zu schaffen, da sich Kraftstoff durch Hitze des Motors ausdehnen kann.
- Bringen Sie alle Kraftstofftanks und Behälterdeckel wieder an und wischen Sie verschütteten Kraftstoff auf. Betreiben Sie das Gerät niemals ohne fest sitzenden Tankdeckel.
- Vermeiden Sie es, eine Zündquelle für verschütteten Kraftstoff zu schaffen. Wenn Kraftstoff verschüttet wird, versuchen Sie nicht, den Motor zu starten, sondern entfernen Sie die Maschine vom Bereich des verschütteten Kraftstoffs und vermeiden Sie die Schaffung einer Zündquelle, bis sich die Kraftstoffdämpfe verflüchtigt haben.
- Lagern Sie Treibstoff in Behältern, die speziell dafür ausgelegt und zugelassen sind.
- Lagern Sie den Kraftstoff an einem kühlen, gut belüfteten Ort, sicher entfernt von Funken, offenen Flammen oder anderen Zündquellen.
- Lagern Sie den Kraftstoff oder die Maschine mit Kraftstoff im Tank niemals in einem Gebäude, in dem die Dämpfe Funken, offene Flammen oder andere Zündquellen erreichen können, wie z. B. einen Warmwasserbereiter, Ofen, Wäschetrockner usw. Lassen Sie den Motor abkühlen, bevor Sie ihn in einem geschlossenen Raum lagern.

SICHERHEITSHINWEIS

SICHERE ARBEITSWEISE

Verwendung und Pflege der Maschine

- Stellen Sie die Maschine so auf, dass sie sich bei der Wartung, Reinigung, Einstellung, Montage von Zubehör oder Ersatzteilen sowie bei der Lagerung nicht bewegen kann.
- Setzen Sie die Maschine NICHT unter Druck. Verwenden Sie die richtige Maschine für Ihre Anwendung. Die Maschine erledigt die Arbeit besser und sicherer mit der Geschwindigkeit, für die sie entwickelt wurde.
- Verändern Sie NICHT die Einstellungen des Motorreglers und überdrehen Sie den Motor nicht. Der Regler steuert die maximale sichere Betriebsdrehzahl des Motors.
- Lassen Sie den Motor NICHT mit hoher Drehzahl laufen, wenn Sie nicht arbeiten.
- Hände und Füße NICHT in die Nähe rotierender Teile bringen.
- Vermeiden Sie Kontakt mit heißem Kraftstoff, Öl, Auspuffgasen und heißen Oberflächen.
- Berühren Sie NICHT den Motor oder den Auspuff. Diese Teile werden extrem heiß. Sie bleiben auch nach dem Ausschalten der Maschine noch für kurze Zeit heiß. Lassen Sie den Motor abkühlen, bevor Sie Wartungsarbeiten oder Einstellungen vornehmen.
- Wenn die Maschine ungewöhnliche Geräusche oder Vibrationen macht, stellen Sie den Motor sofort ab, ziehen Sie das Zündkabel ab und suchen Sie die Ursache. Ungewöhnliche Geräusche oder Vibrationen sind meist Warnzeichen für Probleme.
- Verwenden Sie nur vom Hersteller zugelassene Anbaugeräte und Zubehörteile. Andernfalls kann es zu Personenschäden kommen.
- Pflegen Sie die Maschine. Prüfen Sie, ob bewegliche Teile falsch ausgerichtet sind oder klemmen, ob Teile gebrochen sind und ob andere Bedingungen vorliegen, die den Betrieb der Maschine beeinträchtigen könnten. Wenn die Maschine beschädigt ist, lassen Sie sie vor dem Einsatz reparieren. Viele Unfälle werden durch schlecht gewartete Geräte verursacht.
- Halten Sie den Motor und den Auspuff frei von Gras, Blättern, übermäßigem Fett oder Kohlenstoffablagerungen, um die Gefahr eines Brandes zu verringern.

SICHERHEITSHINWEIS

SICHERE ARBEITSWEISE

- Gießen oder spritzen Sie das Gerät niemals mit Wasser oder anderen Flüssigkeiten. Halten Sie die Griffe trocken, sauber und frei von Verunreinigungen. Nach jedem Gebrauch reinigen.
- Beachten Sie zum Schutz der Umwelt die Gesetze und Vorschriften zur Entsorgung von Benzin, Öl usw.
- Bewahren Sie das Gerät außerhalb der Reichweite von Kindern auf und lassen Sie es nicht von Personen bedienen, die mit dem Gerät oder dieser Anleitung nicht vertraut sind. Die Maschine ist in den Händen von ungeschulten Benutzern gefährlich.

Service

- Stellen Sie vor dem Reinigen, Reparieren, Prüfen oder Einstellen den Motor ab und vergewissern Sie sich, dass alle beweglichen Teile zum Stillstand gekommen sind. Ziehen Sie das Zündkerzenkabel ab und halten Sie das Kabel von der Zündkerze fern, um ein versehentliches Starten zu verhindern.
- Lassen Sie Ihr Gerät nur von Fachpersonal und unter Verwendung identischer Ersatzteile reparieren. Dadurch bleibt die Sicherheit der Maschine erhalten.
- Inspizieren Sie den zu bearbeitenden Bereich gründlich, halten Sie den Arbeitsbereich sauber und frei von Verunreinigungen, um Stolperfallen zu vermeiden. Arbeiten Sie auf flachem, ebenem Boden.
- Bringen Sie NIEMALS Teile Ihres Körpers in Gefahr, wenn sie sich bei der Montage, Installation, Bedienung, Wartung, Reparatur oder beim Transport bewegen.
- Halten Sie alle Unbeteiligten, Kinder und Haustiere mindestens 23 m (75 Fuß) entfernt. Wenn Sie angesprochen werden, stoppen Sie das Gerät sofort.
- Steigen Sie NICHT auf die Kippmulde und nehmen Sie keine Passagiere mit.
- Stellen Sie die Maschine NIEMALS auf instabilem Untergrund ab, der nachgeben könnte, insbesondere wenn sie voll ist.

SICHERHEITSHINWEIS

SICHERE ARBEITSWEISE

- Kupplungshebel vor dem Anlassen des Motors auskuppeln.
- Starten Sie den Motor vorsichtig gemäß den Anweisungen und mit den Füßen weit entfernt von den beweglichen Teilen.
- Verlassen Sie NIEMALS die Betriebsposition, wenn der Motor läuft.
- Halten Sie das Gerät beim Betrieb immer mit beiden Händen fest. Halten Sie den Lenker fest umklammert. Seien Sie sich bewusst, dass die Maschine unerwartet hochschnellen oder nach vorne springen kann, wenn sie auf vergrabene Hindernisse wie große Steine trifft.
- Gehen Sie, laufen Sie niemals mit der Maschine.
- Überlasten Sie NICHT die Kapazität der Maschine.
- Fahren Sie mit einer sicheren Geschwindigkeit, die Sie an das Gefälle des Geländes, die Beschaffenheit der Straße und das Gewicht der Ladung anpassen.
- Seien Sie äußerst vorsichtig, wenn Sie rückwärts fahren oder die Maschine zu sich heranziehen.
- Seien Sie äußerst vorsichtig, wenn Sie auf Schotterstraßen, Wegen oder Straßen fahren oder diese überqueren. Halten Sie Ausschau nach versteckten Gefahren oder Verkehr.
- Fahren Sie auf weichem Untergrund im ersten Vorwärts-/Rückwärtsgang.
- NICHT schnell beschleunigen, scharf abbiegen oder anhalten.
- Seien Sie besonders vorsichtig, wenn Sie auf gefrorenem Boden arbeiten, da die Maschine ins Schleudern geraten kann.
- Vermeiden Sie nach Möglichkeit das Befahren von kiesigem Flussbett, Schotter, Stahlbeton, stumpfen Feldern, Baumstämmen usw., da dies zu tödlichen Schäden führt oder die Lebensdauer der Ketten verkürzt.

SICHERHEITSHINWEIS

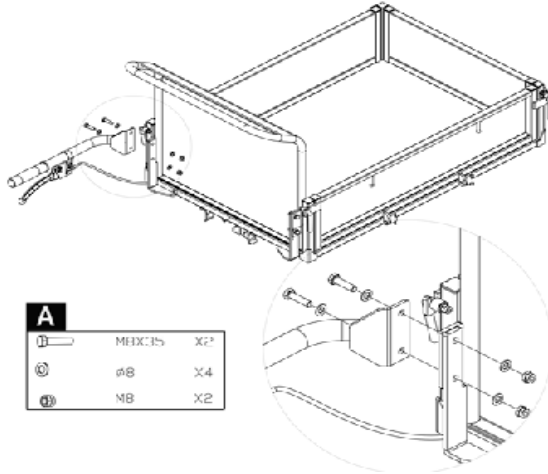
SICHERE ARBEITSWEISE

- Setzen Sie die Maschine NICHT in engen Bereichen ein, in denen die Gefahr besteht, dass der Bediener oder die Bedienerin zwischen der Maschine und einem anderen Gegenstand eingequetscht wird.
- Setzen Sie die Maschine NIEMALS an Hängen mit einem Winkel von mehr als 20° ein.
- Achten Sie beim Befahren eines Hangs, egal ob vorwärts oder rückwärts, immer darauf, dass das Gewicht gleichmäßig verteilt ist. Fahren Sie immer parallel zum Hang (bergauf oder bergab). Um Gefahren zu vermeiden, schalten Sie an Hängen nicht an.
- Beim Kippen der Ladung von einem Kipper ändert sich der Schwerpunkt ständig, und die Bodenverhältnisse sind für die Stabilität der Maschine entscheidend. Besondere Gefahren bestehen für Kipper, die auf weichem Boden arbeiten und wenn die Ladung an der Karosserie klebt, z. B. bei nassem Lehm.

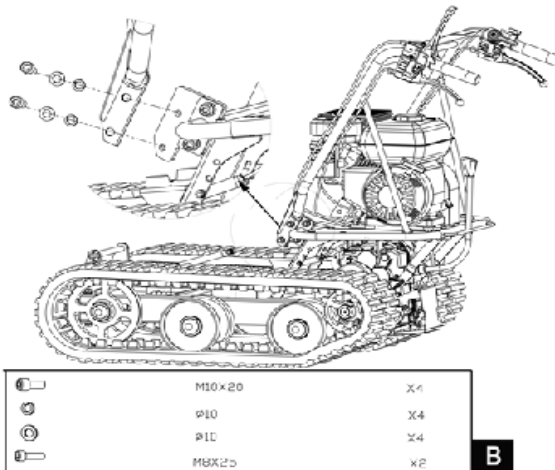
BENUTZERHANDBUCH

MONTAGEANLEITUNG

- Montieren Sie den Kippgriff auf der rechten Seite der Platte. Löcher ausrichten und mit zwei Sechskantschrauben M8x35, vier Unterlegscheiben und zwei Muttern befestigen.



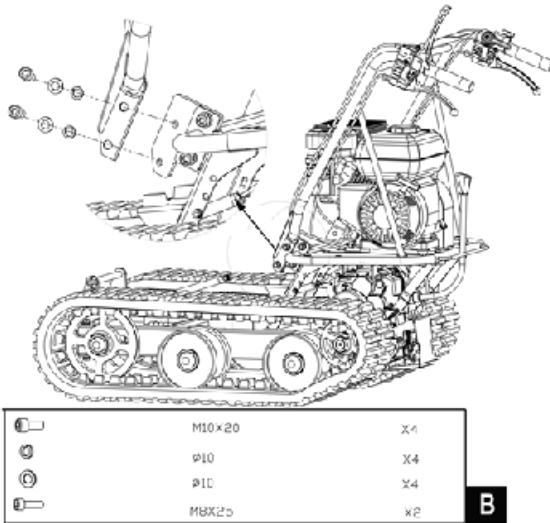
- Richten Sie die Löcher des Lenkers mit der Halterung aus und befestigen Sie sie mit einer Federscheibe, einer Unterlegscheibe und einer Schraube M10x20. Befestigen Sie jede Lenkerhalterung mit einer Federscheibe, einer Unterlegscheibe und einer Sechskantschraube M8x25 auf dem Motordeck.



BENUTZERHANDBUCH

MONTAGEANLEITUNG

- Setzen Sie die Bodenplatte in die Halterung ein. Richten Sie die Löcher an der Montagehalterung aus. Führen Sie einen langen Stift durch die Löcher und sichern Sie jede Seite mit einer Unterlegscheibe und einem Splint.

**B**

Motoröl



WARNUNG!

Das Öl ist für den Transport abgelassen worden. Wenn die Ölwanne vor dem Starten des Motors nicht mit Öl gefüllt wird, führt dies zu dauerhaften Schäden und zum Erlöschen der Motorgarantie.

Füllen Sie Öl gemäß dem Abschnitt Motorhandbuch auf Seite 167 ein.

BENUTZERHANDBUCH

BETRIEBSANLEITUNG

Motor starten

Eine detailliertere Beschreibung des Motorbetriebs und aller damit verbundenen Vorsichtsmaßnahmen und Verfahren finden Sie im Motorhandbuch ab Seite 153 in diesem Handbuch.

Gehen Sie beim Kaltstart wie unten beschrieben vor:

- Stellen Sie den Schalthebel in die Neutralstellung.
- Drehen Sie den Chokehebel am Motor in die volle Chokeyposition.
- Schalten Sie den Motorschalter ein.
- Ziehen Sie mehrere Male langsam am Startseil, damit das Benzin in den Vergaser des Motors fließen kann. Halten Sie dann den Startgriff fest und ziehen Sie das Seil ein kurzes Stück heraus, bis Sie einen Widerstand spüren. Ziehen Sie dann gleichmäßig und zügig am Seil und lassen Sie es sanft zurücklaufen. Lassen Sie das Seil nicht zurückschnellen. Ziehen Sie bei Bedarf mehrmals daran, bis der Motor anspringt.
- Lassen Sie den Motor einige Sekunden lang laufen, um ihn warmlaufen zu lassen. Bewegen Sie dann den Chokehebel allmählich in die Position "OPEN".



WARNUNG!

Bitte lassen Sie den Motor einige Sekunden warmlaufen, bevor Sie einen Gang einlegen.

Das Wiederanlassen eines bereits warmgelaufenen Motors erfordert in der Regel keine Betätigung der Drossel.

- Stellen Sie den Gasbedienungshebel am Lenker auf die Halbstellung.
- Halten Sie den Startgriff fest und ziehen Sie das Seil ein kurzes Stück heraus, bis Sie einen Widerstand spüren. Ziehen Sie dann gleichmäßig und zügig am Seil und lassen Sie es sanft zurücklaufen. Lassen Sie das Seil nicht zurückschnellen.
- Wird die Maschine an einem steilen Abhang angehalten, sollte ein Keil gegen eine der Raupen gelegt werden.

BENUTZERHANDBUCH

BETRIEBSANLEITUNG

- Wenn der Motor warmgelaufen ist, drücken Sie langsam den Kupplungshebel und legen den gewünschten Gang ein. Wenn der Gang nicht sofort einrastet, lassen Sie den Kupplungshebel langsam los und versuchen es erneut. Auf diese Weise setzt sich der Mini Kipper in Bewegung.
- Ziehen Sie den Gasbedienungshebel, um die Motordrehzahl zu erhöhen.
- Der Mini Kipper hat Lenkhebel am Lenker, was das Lenken sehr einfach macht. Um nach rechts oder links abzubiegen, betätigen Sie einfach den entsprechenden rechten oder linken Lenkhebel.
- Die Empfindlichkeit der Lenkung nimmt proportional zur Geschwindigkeit der Maschine zu, und bei leerer Maschine genügt ein leichter Druck auf den Hebel, um zu lenken. Wenn die Maschine beladen ist, ist mehr Druck erforderlich.
- Der Mini Kipper hat eine maximale Tragfähigkeit von 300 kg, es ist jedoch ratsam, die Last zu beurteilen und sie an den Boden anzupassen, auf dem die Maschine eingesetzt werden soll.
- Niemals mehr als 300 kg laden
- Es ist daher ratsam, solche Strecken im niedrigen Gang und mit besonderer Vorsicht zurückzulegen. In solchen Situationen sollte die Maschine während der gesamten Strecke im niedrigen Gang gehalten werden.
- Vermeiden Sie scharfe Kurven und häufige Richtungswechsel während der Fahrt auf der Straße, insbesondere auf rauem, hartem Terrain mit scharfen, unebenen Stellen und hoher Reibung.
- Auch wenn das Gerät mit Gummiketten ausgestattet ist, sollten Sie vorsichtig sein, wenn Sie bei ungünstigen Wetterbedingungen (Eis, starker Regen und Schnee) oder auf Böden arbeiten, die den Mini Kipper instabil machen könnten.
- Bitte beachten Sie, dass es sich um ein Raupenfahrzeug handelt, das beim Überfahren von Unebenheiten, Löchern und Stufen einer erheblichen Nickbewegung unterworfen ist.
- Wenn der Kupplungshebel losgelassen wird, stoppt und bremst die Maschine automatisch, der Gashebel wird deaktiviert.

BENUTZERHANDBUCH

BETRIEBSANLEITUNG

Leerlaufdrehzahl

Stellen Sie den Gasbedienungshebel auf die Position "SLOW", um die Belastung des Motors zu verringern, wenn nicht gearbeitet wird. Das Absenken der Motordrehzahl auf Leerlauf trägt dazu bei, die Lebensdauer des Motors zu verlängern, Kraftstoff zu sparen und den Geräuschpegel der Maschine zu verringern.

Motor abstellen

Um den Motor in einem Notfall abzustellen, lassen Sie den Kupplungshebel los und stellen Sie den Motorschalter in die Position "OFF". Unter normalen Bedingungen gehen Sie wie folgt vor:

- Stellen Sie den Gashebel in die Position "SLOW".
- Lassen Sie den Motor ein bis zwei Minuten im Leerlauf laufen.
- Drehen Sie den Motorschalter in die Stellung "OFF".
- Drehen Sie den Hebel des Kraftstoffventils in die Stellung "OFF".



WARNUNG!

Den Chokeregler NICHT auf CHOKE stellen, um den Motor abzustellen. Es kann zu Fehlzündungen oder Motorschäden kommen.

BENUTZERHANDBUCH

WARTUNG

Eine ordnungsgemäße Wartung und Schmierung trägt dazu bei, dass die Maschine in einwandfreiem Zustand arbeitet.

Vorbeugende Wartung

- Stellen Sie den Motor ab und kuppeln Sie alle Steuerhebel aus. Der Motor muss kühl sein.
- Überprüfen Sie den allgemeinen Zustand des Geräts. Prüfen Sie es auf lose Schrauben, falsch ausgerichtete oder festsitzende bewegliche Teile, gerissene oder gebrochene Teile und anderen Zustände, die den sicheren Betrieb beeinträchtigen.
- Entfernen Sie Verschmutzungen und Materialien, die sich auf der Schiene und dem Gerät angesammelt haben. Reinigen Sie sie nach jedem Gebrauch. Verwenden Sie dann ein hochwertiges leichtes Maschinenöl, um alle beweglichen Teile zu schmieren.



WARNUNG!

Verwenden Sie niemals einen Hochdruckreiniger, um Ihr Gerät zu reinigen. Wasser kann in enge Bereiche der Maschine und des Getriebegehäuses eindringen und Schäden an Spindeln, Zahnrädern, Lagern oder dem Motor verursachen. Die Verwendung von Hochdruckreinigern führt zu einer verkürzten Lebensdauer und verminderter Wartungsfähigkeit.

Einstellen der Kupplung

Wenn die Kupplung abgenutzt ist, kann derselbe Hebel eine größere Öffnung haben, so dass er nicht mehr leicht zu bedienen ist. Das bedeutet, dass es notwendig ist, das Kabel zu justieren und den Kupplungshebel in seine ursprüngliche Position zu bringen, indem man auf die Einstellvorrichtung und die Gegenmutter wirkt.

BENUTZERHANDBUCH

WARTUNG

Einstellen der Lenkung

Wenn Sie Schwierigkeiten haben, das Gerät zu lenken, müssen Sie die Lenkhebel mit den speziellen Einstellvorrichtungen einstellen. Lösen Sie die Kontermutter und schrauben Sie die Einstellvorrichtungen ab, um das Spiel im Kabel zu beseitigen, das nach dem ersten Gebrauch oder durch normalen Verschleiß auftreten kann. Achten Sie darauf, die Einstellvorrichtungen nicht zu weit herauszudrehen, da dies zu einem weiteren Problem führen kann: dem Verlust der Bodenhaftung. Vergessen Sie nicht, die Kontermutter wieder festzuziehen, wenn Sie fertig sind. N'oubliez pas de serrer le contre-écrou lorsque vous avez terminé.

Schmierung

Das Getriebe ist werkseitig vorgeschmiert und versiegelt.

Prüfen Sie den Ölstand alle 50 Betriebsstunden. Entfernen Sie den Stopfen und prüfen Sie bei waagerechter Maschine, ob der Ölstand die beiden Kerben erreicht. Falls erforderlich, Öl nachfüllen.

Verwenden Sie Lithiumfett #0 für tragbare Werkzeuge wie Lubriplate 630AA, Lubriplate GR-132 oder Multifak, z. B. EP-O.

Das Öl muss in heißem Zustand durch Abschrauben des Einfülldeckels und des mit einem Ölmesstab versehenen Stopfens gewechselt werden. Wenn das Öl vollständig abgelassen ist, den Einfülldeckel wieder aufsetzen und neues Öl einfüllen.

BENUTZERHANDBUCH

WARTUNG

Straffung der Raupen

Mit zunehmendem Gebrauch neigen die Raupen dazu, sich zu lockern. Beim Betrieb mit lockeren Raupen tendieren diese dazu, über das Antriebsrad zu rutschen, so dass es aus dem Gehäuse springt oder in einer prekären Situation arbeitet, was zu einem Verschleiß des Gehäuses führt.

Um die Dichtheit der Ketten zu überprüfen, gehen Sie wie folgt vor.

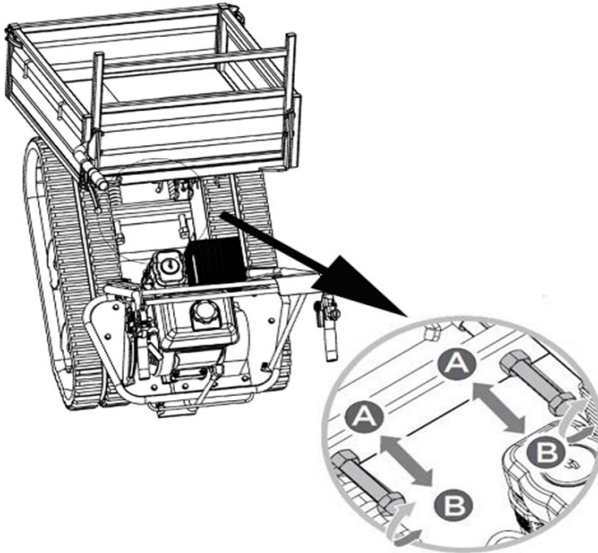
- Stellen Sie die Maschine auf eine ebene Fläche mit kompaktem Boden, am besten auf Asphalt oder Steinpflaster.
- Heben Sie die Maschine an und stellen Sie sie auf Blöcke oder Stützen, die für das Gewicht der Maschine ausgelegt sind, so dass die Raupen etwa 100 mm vom Boden entfernt sind.
- Messen Sie die Mittellinie des Gleises gegenüber der horizontalen Linie. Der Messwert darf nicht mehr als 10-15 mm betragen.

BENUTZERHANDBUCH

WARTUNG

Wenn der Abstand größer ist, gehen Sie wie folgt vor.

- Verwenden Sie den Kippgriff, um die Kippmulde zu kippen, und stellen Sie sie auf Blöcke oder Stützen, die für das Gewicht der Mulde ausgelegt sind.



- Lösen Sie die Gegenmutter 'A'.
- Ziehen Sie die Schraube 'B' an, bis die korrekte Dichtheit wiederhergestellt ist.
- Sichern Sie die Schraube "B", indem Sie die Gegenmutter "A" fest anziehen.
- Bringen Sie die Kippbox wieder in ihre ursprüngliche Position.



WARNUNG!

Die Einstellung der Schiene und der Bremsen sind miteinander verknüpft. Seien Sie daher sehr vorsichtig, denn wenn die Schiene zu fest angezogen wird, geht die Bremswirkung verloren.



WARNUNG!

Wenn die Einstellschraube nicht mehr eingestellt werden kann, sind die Schienen möglicherweise ersetzt werden.

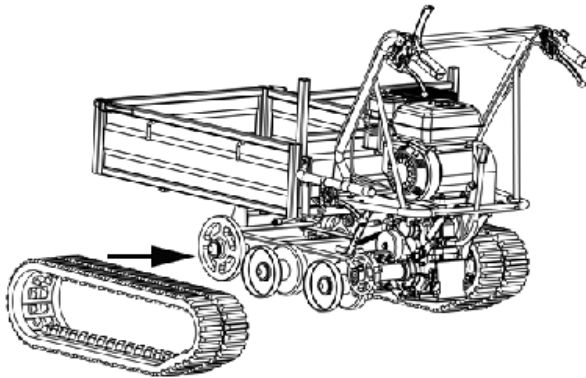
BENUTZERHANDBUCH

WARTUNG

Ersetzen von Ketten

Überprüfen Sie regelmäßig den Zustand der Ketten. Wenn eine Kette rissig oder ausgefranst ist, sollte sie so schnell wie möglich ersetzt werden.

- Lösen Sie die Sicherungsmutter 'A' und die Schraube 'B', wie unter 'Festziehen der Ketten' gezeigt, um die Ketten zu lösen.



- Entfernen Sie die alten Ketten und installieren Sie die neuen Ketten.
- Stellen Sie die Schraube 'B' so ein, dass sie richtig festsetzt.
- Sichern Sie die Schraube 'B', indem Sie die Gegenmutter 'A' fest anziehen.



WARNUNG!

Achten Sie beim Aus- und Einbau der Ketten darauf, dass Sie sich nicht die Finger zwischen der Schiene und der Riemenscheibe einklemmen.

BENUTZERHANDBUCH

WARTUNG

Wartung des Motors

Informationen zur Wartung des Motors finden Sie im Motorhandbuch, das diesem Handbuch beiliegt. Der Abschnitt im Motorhandbuch enthält detaillierte Informationen und einen Wartungsplan für die Durchführung der Aufgaben.

- Wenn der Mini Kipper länger als 30 Tage nicht benutzt wird, befolgen Sie die folgenden Schritte, um das Gerät für die Lagerung vorzubereiten.
- Entleeren Sie den Kraftstofftank vollständig. Gelagerter Kraftstoff, der Ethanol oder MTBE enthält, kann innerhalb von 30 Tagen schal werden. Abgelaufener Kraftstoff hat einen hohen Gummianteil und kann den Vergaser verstopfen und den Kraftstofffluss behindern.
- Starten Sie den Motor und lassen Sie ihn bis zum Stillstand laufen. Dadurch wird sichergestellt, dass sich kein Kraftstoff im Vergaser befindet. Lassen Sie den Motor bis zum Stillstand laufen. Dadurch wird verhindert, dass sich im Vergaser Ablagerungen ansammeln und der Motor möglicherweise beschädigt wird.
- Lassen Sie das Öl ab, solange der Motor noch warm ist. Füllen Sie frisches Öl der auf Seite 169 empfohlenen Sorte ein.
- Reinigen Sie die Außenseite des Geräts mit sauberen Tüchern und halten Sie die



WARNUNG!

Verwenden Sie KEINE starken Reinigungsmittel oder Reiniger auf Petroleumbasis, wenn Reinigung von Kunststoffteilen. Chemikalien können Kunststoffe beschädigen.

- Überprüfen Sie alle losen oder beschädigten Teile. Reparieren oder ersetzen Sie beschädigte Teile und ziehen Sie lose Schrauben, Muttern oder Bolzen fest.
-
- Lagern Sie Ihr Gerät auf ebenem Boden in einem sauberen, trockenen Gebäude mit guter Belüftung.



WARNUNG!

Lagern Sie die Maschine mit Kraftstoff NICHT in einem unbelüfteten Bereich, in dem Kraftstoff Die Dämpfe können Flammen, Funken, Zündflammen oder andere Zündquellen erreichen.

FEHLERBEHANDLUNG

MÖGLICHE LÖSUNGSWEGE

WAS TUE ICH, WENN TEILE IN MEINER BESTELLUNG FEHLEN?

Sollte ein Teil Ihrer Bestellung fehlen, wenden Sie sich bitte innerhalb von 7 Tagen nach Erhalt an unser freundliches und hilfsbereites Kundendienstteam.

Problème	Cause	Solution
Motor lässt sich nicht starten	<ol style="list-style-type: none"> 1. Zündkerzenkabel abgeklemmt. 2. Kein Treibstoff mehr. 3. Choke nicht in offener Stellung. 4. Verstopfte Kraftstoffleitung. 5. Verschmutzte Zündkerze. 6. Überschwemmung des Motors. 	<ol style="list-style-type: none"> 1. Befestigen Sie das Zündkerzenkabel sicher an der Zündkerze. 2. Füllen Sie sauberes, frisches Benzin ein. 3. Die Drosselklappe muss beim Kaltstart auf Choke stehen. 4. Reinigen Sie die Kraftstoffleitung. 5. Reinigen, Spalt einstellen oder ersetzen. 6. Warten Sie ein paar Minuten, um neu zu starten, aber entlüften Sie nicht.
Der Motor läuft unregelmäßig.	<ol style="list-style-type: none"> 1. Zündkerzenkabel ist lose. 2. Gerät läuft auf CHOKE. 3. Verstopfte Kraftstoffleitung oder verbrauchter Kraftstoff. 4. Entlüftung verstopft. 5. Wasser oder Schmutz im Kraftstoffsystem. 6. Verschmutzter Luftfilter. 7. Falsche Einstellung des Vergasers. 	<ol style="list-style-type: none"> 1. Zündkerzenkabel anschließen und festziehen. 2. Stellen Sie den Chokehebel auf "OFF". 3. Reinigen Sie die Kraftstoffleitung und füllen Sie den Tank mit sauberem, frischem Benzin. 4. Entlüftung. 5. Kraftstofftank entleeren. Füllen Sie frischen Kraftstoff ein. 6. Luftfilter reinigen oder ersetzen.

FEHLERBEHANDLUNG

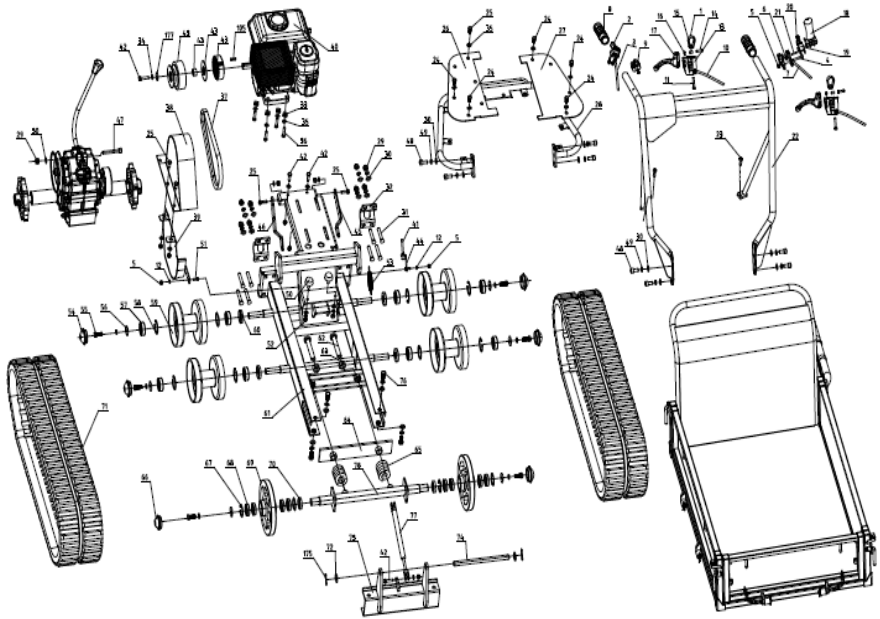
MÖGLICHE LÖSUNGSWEGE

Problème	Cause	Solution
Motor überhitzt	<ol style="list-style-type: none">1. Motorölstand niedrig.2. Verschmutzter Luftfilter.3. Der Luftstrom ist eingeschränkt.4. Der Vergaser ist nicht richtig eingestellt.	<ol style="list-style-type: none">1. Füllen Sie das Kurbelgehäuse mit dem richtigen Öl.2. Luftfilter reinigen.3. Gehäuse entfernen und reinigen.4. Siehe Motorhandbuch auf Seite 156.
Eine der beiden Spuren ist blockiert.	Fremdkörper haben sich zwischen Kette und Rahmen eingegraben.	Entfernen Sie den Fremdkörper.
Die Maschine bewegt sich nicht, während der Motor läuft	<ol style="list-style-type: none">1. Der Gang ist nicht richtig eingelegt.2. Die Fahrspuren sind nicht eng genug.	<ol style="list-style-type: none">1. Stellen Sie sicher, dass sich der Schalthebel nicht zwischen zwei verschiedenen Gängen befindet.2. Fahrspuren festziehen

FÜR ALLE ANDEREN FRAGEN WENDEN SIE SICH BITTE AN UNSEREN KUNDENDIENST.

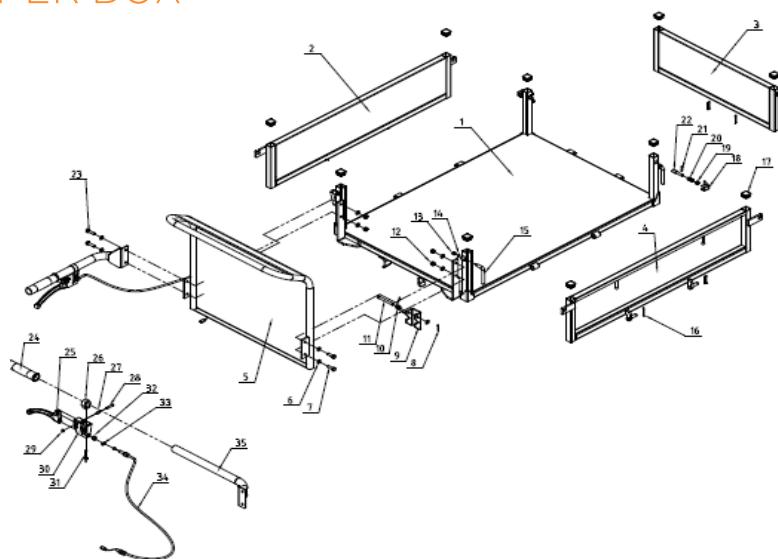
TEILEAUFSCHLÜSSELUNG

TRANSPORTERTEILE

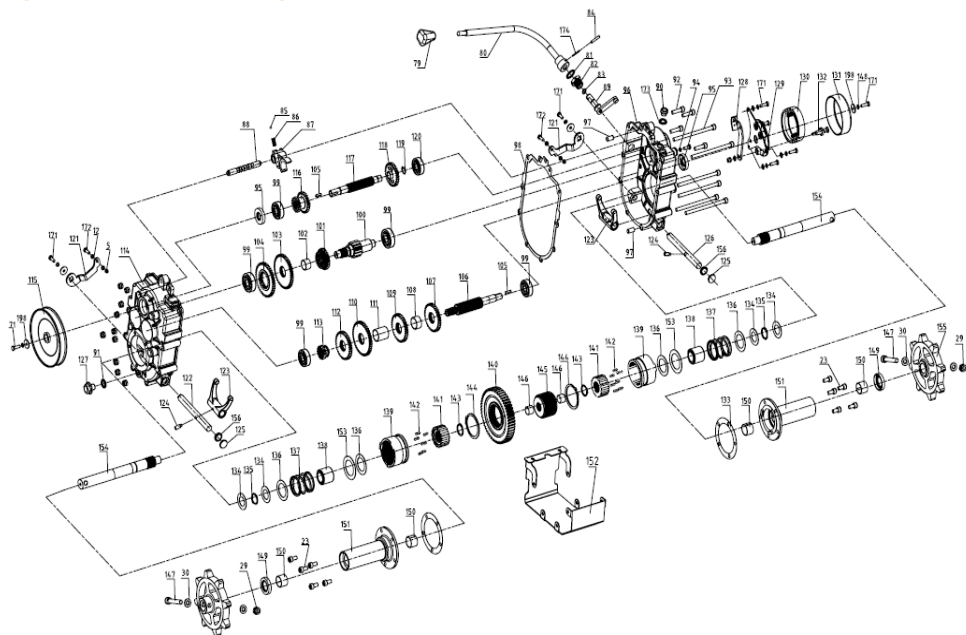


TEILEAUFSCHLÜSSELUNG

KIPPER BOX



GETRIEBE BOX



BENUTZERHANDBUCH

BENUTZERHANDBUCH

WICHTIGE SICHERHEITSINFORMATIONEN

Die meisten Unfälle mit Motoren können vermieden werden, wenn Sie alle Anweisungen in diesem Handbuch und auf dem Motor befolgen. Im Folgenden werden einige der häufigsten Gefahren sowie die besten Möglichkeiten, sich und andere zu schützen, beschrieben.

VERANTWORTLICHKEITEN DES EIGENTÜMERS

Die Motoren sind so konstruiert, dass sie bei vorschriftsmäßigem Betrieb einen sicheren und zuverlässigen Betrieb gewährleisten. Lesen und verstehen Sie diese Betriebsanleitung, bevor Sie den Motor in Betrieb nehmen. Nichtbeachtung kann zu Verletzungen oder Schäden an der Ausrüstung führen.

Sie müssen wissen, wie Sie den Motor schnell abstellen können und die Bedienung aller Bedienelemente verstehen. Erlauben Sie NIEMALS jemandem, den Motor ohne entsprechende Anweisungen zu bedienen.

Erlauben Sie Kindern NICHT, den Motor zu bedienen. Halten Sie Kinder und Haustiere vom Arbeitsbereich fern.

SORGFÄLTIG TANKEN

Benzin ist hochentzündlich und Benzindämpfe können explodieren. Tanken Sie im Freien, in einem gut belüfteten Bereich und bei abgestelltem Motor.

Rauchen Sie NIEMALS in der Nähe von Benzin und halten Sie andere Flammen und Funken fern. Lagern Sie Benzin immer in einem zugelassenen Behälter. Wenn Kraftstoff verschüttet wird, stellen Sie sicher, dass der Bereich trocken ist, bevor Sie den Motor starten.

KOHLENMONOXIDGEFAHR

Abgase enthalten giftiges Kohlenmonoxid. Vermeiden Sie das Einatmen von Abgasen.

Lassen Sie den Motor NIEMALS in einer geschlossenen Garage oder in einem geschlossenen Raum laufen.

BENUTZERHANDBUCH

BENUTZERHANDBUCH

HEISSER AUSPUFF

Der Auspuff wird während des Betriebs sehr heiß und bleibt nach dem Abstellen des Motors noch eine Weile heiß. Achten Sie darauf, den Auspuff nicht zu berühren, solange er heiß ist. Lassen Sie den Motor abkühlen, bevor Sie ihn in einem Raum abstellen.

Um Brandgefahren zu vermeiden und für eine ausreichende Belüftung bei stationären Anwendungen zu sorgen, halten Sie den Motor während des Betriebs mindestens 1 Meter von Gebäudewänden und anderen Geräten entfernt. Stellen Sie KEINE brennbaren Gegenstände in der Nähe des Motors ab.

ANDERE GERÄTE

Lesen Sie die Anweisungen, die mit dem von diesem Motor angetriebenen Gerät geliefert werden, um sich über zusätzliche Sicherheitsvorkehrungen zu informieren, die in Verbindung mit dem Anlassen, Abstellen und Betrieb des Motors zu beachten sind, sowie über Schutzkleidung, die für den Betrieb des Geräts erforderlich sein könnte.

HUBRAUM

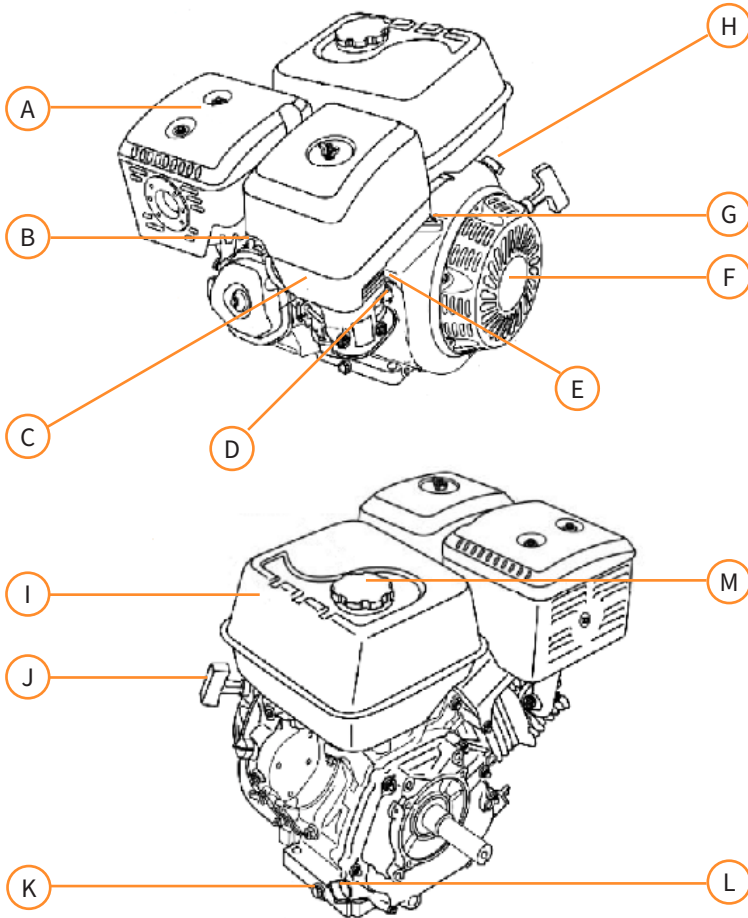
Kraftstofftankkapazität G200F	3,8 Liter
Ölkapazität	0,6 Liter
Motoröl	10W-30

KOMPONENTEN UND KONTROLLSTELLEN

- | | |
|---------------------|-------------------------------|
| A. AUSPUFF | I. KRAFTSTOFFTANK |
| B. ZÜNDKERZE | J. STARTER GRIFF |
| C. LUFTREINIGER | K. ÖLABFLUSSSTECKER |
| D. KRAFTSTOFFVENTIL | L. ÖLFILTERDECKEL / PEILSTAB |
| E. DROSSEL | M. KAPPE DES KRAFTSTOFFTANKES |
| F. RÜCKHOLSTARTER | |
| G. DROSSELKAPPE | |
| H. ZÜNDUNGSSCHALTER | |

BENUTZERHANDBUCH

BENUTZERHANDBUCH



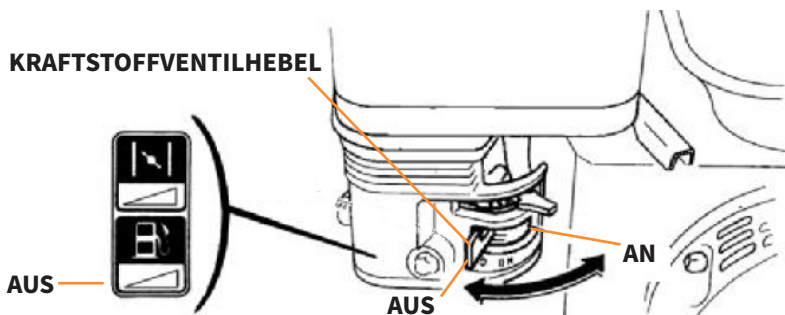
BENUTZERHANDBUCH

BENUTZERHANDBUCH

KONTROLLE

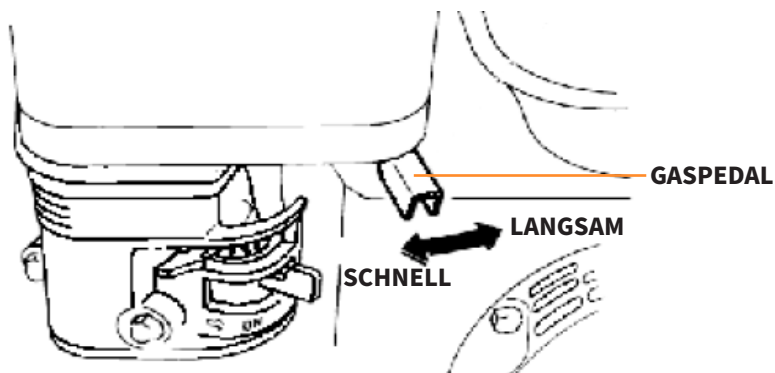
KRAFTSTOFFVENTILHEBEL

Der Kraftstoffhahn öffnet und schließt den Durchgang zwischen dem Kraftstofftank und dem Vergaser. Der Hebel des Kraftstoffventils muss sich in der Stellung ON befinden, damit der Motor laufen kann. Wenn der Motor nicht in Betrieb ist, lassen Sie den Hebel des Kraftstoffventils in der Position OFF, um zu verhindern, den Vergaser zu überfluten und die Möglichkeit des Austretens von Kraftstoff zu verringern.



DROSSELKLAPPENHEBEL

Der Gashebel steuert die Drosselklappendrehzahl des Motors. Wenn Sie den Gashebel in die gezeigten Richtungen bewegen, läuft der Motor schneller oder langsamer.



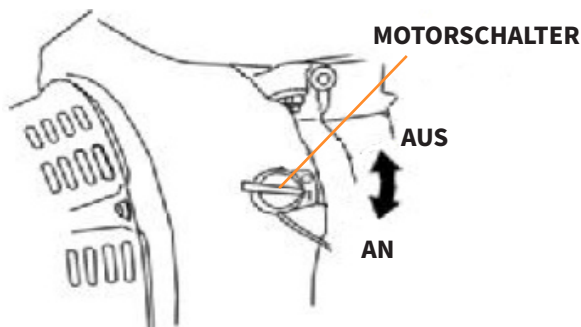
BENUTZERHANDBUCH

BENUTZERHANDBUCH

MOTORSCHALTER

Der Motorschalter aktiviert und deaktiviert das Zündsystem.

Der Motorschalter muss sich in der Stellung ON befinden, damit der Motor läuft. Durch Drehen des Motorschalters in die Position OFF wird der Motor abgestellt.

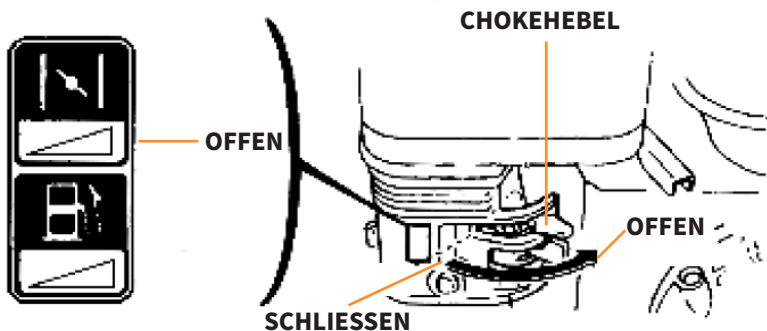


CHOKEHEBEL

Der Chokehebel öffnet und schließt die Drosselklappe im Vergaser. In der Stellung CLOSE wird das Kraftstoffgemisch zum Starten eines kalten Motors angereichert.

Die Stellung OPEN sorgt für das richtige Kraftstoffgemisch für den Betrieb nach dem Anlassen und für das Wiederanlassen eines warmen Motors.

Bei einigen Motoranwendungen wird anstelle des hier gezeigten Chokehebels ein ferngesteuerter Chokeregler verwendet.

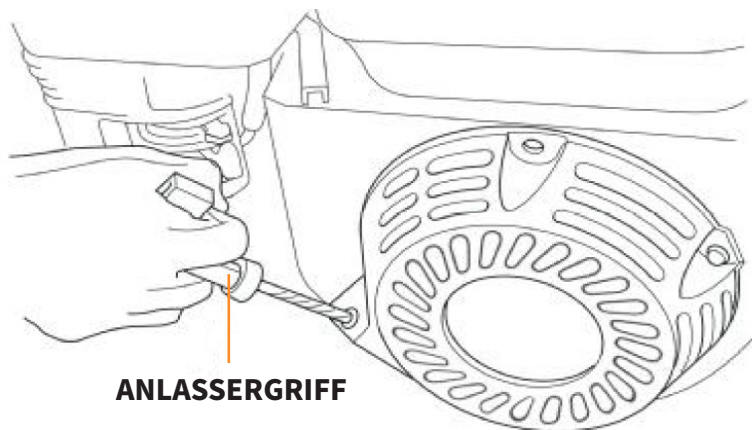


BENUTZERHANDBUCH

BENUTZERHANDBUCH

RÜCKHOLTARTERGRIFF

Durch Ziehen des Startergriffs wird der Rückstoßstarter betätigt, um den Motor zu starten.



VOR DEM BETRIEB PRÜFN

IST IHR MOTOR EINSATZBEREIT?

Zu Ihrer Sicherheit und um die Lebensdauer Ihres Geräts zu maximieren, ist es sehr wichtig, dass Sie sich vor dem Betrieb des Motors einige Augenblicke Zeit nehmen, um seinen Zustand zu überprüfen. Kümmern Sie sich um jedes Problem, oder lassen Sie es von Ihrem Fachhändler beheben, bevor Sie den Motor in Betrieb nehmen.



WARNUNG!

Eine unsachgemäße Wartung des Motors oder das Versäumen, ein Problem vor dem Betrieb zu beheben, kann zu einer Fehlfunktion führen, bei der Sie schwer verletzt werden könnten.

Führen Sie vor jedem Arbeitsgang eine Inspektion durch, um jedes Problem zu beheben.

Vergewissern Sie sich, dass der Motor waagrecht steht und der Motorschalter auf OFF steht, bevor Sie mit den Überprüfungen vor der Inbetriebnahme beginnen.

BENUTZERHANDBUCH

BENUTZERHANDBUCH

DEN ALLGEMEINEN ZUSTAND DES MOTORS ÜBERPRÜFEN

- Suchen Sie um und unter dem Motor nach Anzeichen von Öl- oder Benzinlecks.
- Entfernen Sie übermäßigen Schmutz und Ablagerungen, insbesondere im Bereich des Auspuffs und des Rücklaufstarters.
- Achten Sie auf Anzeichen von Schäden.
- Prüfen Sie, ob alle Abschirmungen und Abdeckungen angebracht sind und alle Muttern, Bolzen und Schrauben fest angezogen sind.

DEN MOTOR ÜBERPRÜFEN

- Prüfen Sie den Motorölstand. Der Betrieb des Motors bei niedrigem Ölstand kann zu Motorschäden führen.
- Das Ölwarnsystem (bei bestimmten Motortypen) schaltet den Motor automatisch ab, bevor der Ölstand unter einen sicheren Wert sinkt. Um jedoch die Unannehmlichkeiten einer unerwarteten Abschaltung zu vermeiden, sollten Sie den Motorölstand immer vor dem Anlassen überprüfen.
- Prüfen Sie den Luftfilter. Ein verschmutzter Luftfilter behindert den Luftstrom zum Vergaser und verringert die Motorleistung.
- Kontrollieren Sie den Kraftstoffstand. Wenn Sie mit einem vollen Tank starten, können Sie Betriebsunterbrechungen zum Tanken vermeiden oder reduzieren.

PRÜFEN SIE DIE VON DIESEM MOTOR ANGETRIEBENEN GERÄTE

- Lesen Sie die Anweisungen, die mit dem von diesem Motor angetriebenen Gerät geliefert wurden, um sich über Vorsichtsmaßnahmen und Verfahren zu informieren, die vor dem Starten des Motors befolgt werden müssen.

BENUTZERHANDBUCH

BENUTZERHANDBUCH

SICHERHEITSVORKEHRUNGEN FÜR DEN BETRIEB

Bevor Sie den Motor zum ersten Mal in Betrieb nehmen, lesen Sie bitte die WICHTIGEN SICHERHEITSHINWEISE und das Kapitel VOR DEM BETRIEB.



WARNUNG!

Kohlenmonoxidgas ist giftig. Das Einatmen kann zu Bewusstlosigkeit und sogar zum Tod führen. Vermeiden Sie alle Bereiche oder Handlungen, bei denen Sie Kohlenmonoxid ausgesetzt sind.

Lesen Sie die mit dem von diesem Motor angetriebenen Gerät gelieferten Anweisungen über alle Sicherheitsvorkehrungen, die in Verbindung mit dem Starten, Abstellen oder Betrieb des Motors beachtet werden müssen.

ANLASSEN DES MOTORS

- Bringen Sie den Hebel des Kraftstoffventils in die Stellung ON.
- Um einen kalten Motor zu starten, stellen Sie den Chokehebel in die CLOSE-Position.
- Um einen warmen Motor zu starten, lassen Sie den Chokehebel in der Position OPEN.
- Bewegen Sie den Gashebel von der SLOW-Position etwa 1/3 des Weges in Richtung FAST-Position.
- Drehen Sie den Motorschalter in die Stellung ON.
- Ziehen Sie leicht am Startergriff, bis Sie einen Widerstand spüren, und ziehen Sie dann zügig. Ziehen Sie den Startergriff vorsichtig zurück.
- Wenn der Chokehebel zum Starten des Motors in die Stellung CLOSE gebracht wurde, bewegen Sie ihn allmählich in die Stellung OPEN, während der Motor warmläuft.

BENUTZERHANDBUCH

BENUTZERHANDBUCH

ABSTELLEN DES MOTORS

- Um den Motor in einem Notfall abzustellen, drehen Sie den Motorschalter einfach in die Position OFF. Unter normalen Bedingungen gehen Sie wie folgt vor.
- Bringen Sie den Gashebel in die SLOW-Position.
- Schalten Sie den Motorschalter in die Stellung OFF.
- Drehen Sie den Hebel des Kraftstoffventils in die Stellung OFF.

EINSTELLUNG DER MOTORDREHZAHL

- Stellen Sie den Gasbedienungshebel auf die gewünschte Motordrehzahl ein.
- Bei einigen Motoranwendungen wird anstelle des hier gezeigten, am Motor angebrachten Gashebels ein ferngesteuerter Gashebel verwendet.
- Empfehlungen zur Motordrehzahl finden Sie in der Anleitung des Geräts, das von diesem Motor angetrieben wird.

BENUTZERHANDBUCH

MOTORWARTUNG

WARTUNG

Eine gute Wartung ist für einen sicheren, wirtschaftlichen und störungsfreien Betrieb unerlässlich. Sie trägt auch zur Verringerung der Luftverschmutzung bei.



WARNUNG!

Wenn Sie die Wartungs- und Vorsichtsmaßnahmen nicht ordnungsgemäß befolgen, können Sie schwer verletzt oder getötet werden. Befolgen Sie stets die Anweisungen und Vorsichtsmaßnahmen im Benutzerhandbuch.

Damit Sie Ihren Motor richtig pflegen können, finden Sie auf den folgenden Seiten einen Wartungsplan, Routineinspektionen und leichte Wartungsarbeiten mit einfachen Handwerkzeugen.

Andere Wartungsarbeiten, die schwieriger sind oder spezielles Werkzeug erfordern, werden am besten von Fachleuten durchgeführt und normalerweise von einem Techniker oder einem anderen qualifizierten Mechaniker ausgeführt.

Der Wartungsplan gilt für normale Betriebsbedingungen. Wenn Sie Ihren Motor unter ungewöhnlichen Bedingungen betreiben, z. B. bei anhaltender hoher Belastung oder hohen Temperaturen, oder wenn Sie ihn unter ungewöhnlich nassen oder staubigen Bedingungen einsetzen, wenden Sie sich an Ihren Händler, um Empfehlungen für Ihre individuellen Bedürfnisse und Ihren Einsatz zu erhalten.

SICHERHEITSVORKEHRUNGEN

Stellen Sie sicher, dass der Motor ausgeschaltet ist, bevor Sie mit der Wartung oder Reparatur beginnen. Dadurch werden mehrere potenzielle Gefahren vermieden:

- Kohlenmonoxidvergiftung durch Motorabgase. Achten Sie auf eine ausreichende Belüftung, wenn Sie den Motor betreiben.
- Verbrennungen durch heiße Teile. Lassen Sie den Motor und die Auspuffanlage abkühlen, bevor Sie sie berühren.
- Verletzungen durch bewegliche Teile. Lassen Sie den Motor NICHT laufen, wenn Sie nicht dazu aufgefordert werden.

BENUTZERHANDBUCH

MOTORWARTUNG

Lesen Sie die Anleitung, bevor Sie beginnen, und vergewissern Sie sich, dass Sie über die erforderlichen Werkzeuge und Fähigkeiten verfügen.

Seien Sie vorsichtig, wenn Sie in der Nähe von Benzin arbeiten, um die Gefahr von Bränden oder Explosionen zu verringern. Verwenden Sie zum Reinigen von Teilen nur ein nicht brennbares Lösungsmittel, kein Benzin. Halten Sie Zigaretten, Funken und Flammen von allen benzinbezogenen Teilen fern.

Um die beste Qualität und Zuverlässigkeit zu gewährleisten, verwenden Sie für Reparaturen und Austausch nur neue Originalteile oder gleichwertige Teile.

WARTUNGSPLAN

REGELMÄßIGE SERVICEZEIT Wird jeden Monat oder im Intervall der angegebenen Betriebsstunden durchgeführt, je nachdem, was zuerst eintritt		Jede Verwendung	PErster Monat oder 20 Hrs	Alle 3 Monate bzw 50 Hrs	Alle 6 Monate bzw 100 Hrs	Jedes Jahr bzw 300 Hrs
Motoröl	Füllstand prüfen	○				
	Ändern		○		○	
Luftreiniger	Überprüfen	○				
	Sauber			○(1)		
	Ersetzen					○ ☆
Sedimentbecher	Sauber				○	
Zündkerze	Überprüfen-Sauber				○	
	Ersetzen					○
Zeitlupe	Prüfen-einstellen					○(2)
Das Ventilspiel	Prüfen-einstellen					○(2)
Kraftstofftank und Sieb	Sauber					○(2)
Brennkammer	Sauber	Nach jedem 300 Hrs (2)				
Kraftstoffleitung	Überprüfen	Alle 2 Jahre (bei Bedarf ersetzen) (2)				

BENUTZERHANDBUCH

MOTORWARTUNG

☆ Ersetzen Sie nur den Typ des Papierelements.

(1) Bei Einsatz in staubigen Bereichen häufiger warten.

(2) Diese Teile sollten von einem Fachhändler gewartet werden, es sei denn, Sie verfügen über entsprechende Werkzeuge und sind mechanisch versiert. Siehe Handbuch für Serviceverfahren.

BENUTZERHANDBUCH

MOTORWARTUNG

WIEDERBEFÜLLUNG

Kraftstofftankinhalt G200F: 3,8 Liter

Nehmen Sie bei abgestelltem Motor den Kraftstofftankdeckel ab und prüfen Sie den Kraftstoffstand. Füllen Sie den Tank nach, wenn der Kraftstoffstand niedrig ist.

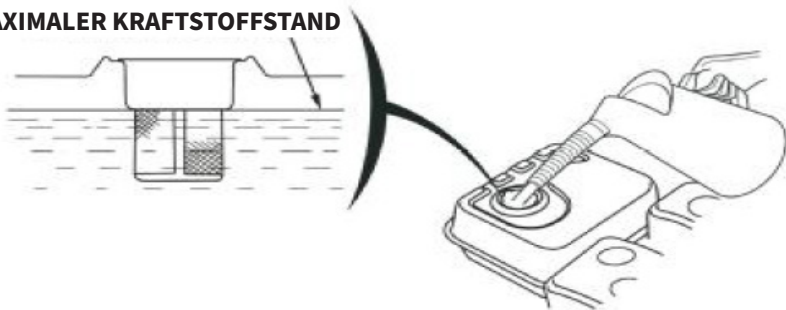


WARNUNG!

Benzin ist leicht entzündlich und explosiv. Beim Umgang mit Kraftstoff können Sie Verbrennungen oder schwere Verletzungen erleiden.

- Stellen Sie den Motor ab und halten Sie Hitze, Funken und Flammen fern.
- Brennstoff nur im Freien handhaben.

MAXIMALER KRAFTSTOFFSTAND



Tanken Sie an einem gut belüfteten Ort, bevor Sie den Motor starten. Wenn der Motor bereits gelaufen ist, lassen Sie ihn abkühlen. Tanken Sie vorsichtig, um ein Verschütten von Kraftstoff zu vermeiden. Füllen Sie nicht über die Schulter des Kraftstoffsiebs. Ziehen Sie nach dem Tanken den Tankdeckel fest an.

Betanken Sie den Motor NIEMALS in einem Gebäude, wo Benzindämpfe Flammen oder Funken erreichen können. Halten Sie Benzin von Zündflammen, Grills, Elektrogeräten, Elektrowerkzeugen usw. fern.

Verschütteter Kraftstoff stellt nicht nur eine Brandgefahr dar, sondern verursacht auch Umweltschäden. Wischen Sie verschütteten Kraftstoff sofort auf.

BENUTZERHANDBUCH

MOTORWARTUNG

KRAFTSTOFFEMPFEHLUNGEN

Verwenden Sie bleifreies Benzin mit der Tankfüllung E10.

Diese Motoren sind für den Betrieb mit bleifreiem Benzin zugelassen. Bleifreies Benzin führt zu weniger Motor- und Zündkerzenablagerungen und verlängert die Lebensdauer der Auspuffanlage.

Verwenden Sie NIEMALS abgestandenes oder verunreinigtes Benzin oder ein Öl-Benzin-Gemisch. Vermeiden Sie, dass Schmutz oder Wasser in den Kraftstofftank gelangt.

Gelegentlich können Sie ein leichtes "Funkenklopfen" oder "Ping" (metallisches Klopfgeräusch) hören, wenn Sie unter schwerer Last arbeiten. Dies ist kein Grund zur Sorge.

Wenn bei gleichmäßiger Motordrehzahl unter normaler Last Funkenklopfen oder Ping-Geräusche auftreten, wechseln Sie die Benzinmarke. Wenn das Funkenklopfen oder die Ping-Geräusche anhält, wenden Sie sich an einen autorisierten Händler.

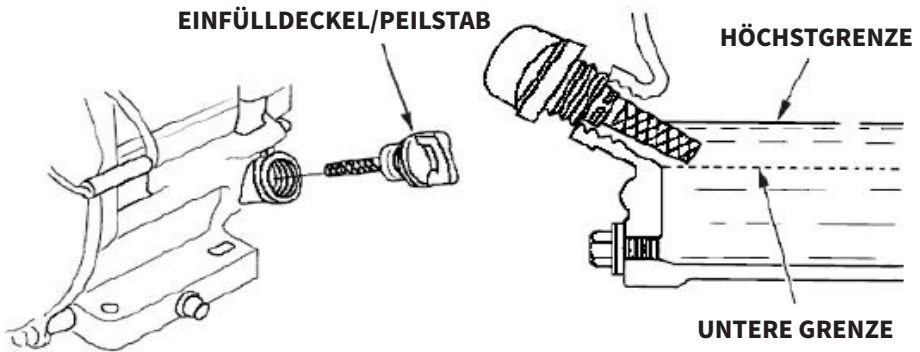
BENUTZERHANDBUCH

MOTORWARTUNG

MOTORÖLSTANDSKONTROLLE

Prüfen Sie den Motorölstand bei abgestelltem und waagrecht stehendem Motor.

- Nehmen Sie den Einfülldeckel/Messstab ab und wischen Sie ihn sauber.



- Stecken Sie den Messstab ein und ziehen Sie ihn heraus, ohne ihn in den Einfüllstutzen zu schrauben. Prüfen Sie den am Messstab angezeigten Ölstand.
- Wenn der Ölstand niedrig ist, füllen Sie das empfohlene Öl bis zum Rand der Öleinfüllöffnung ein.
- Schrauben Sie den Einfülldeckel/Peilstab fest ein.

Der Betrieb des Motors mit einem niedrigen Ölstand kann zu Motorschäden führen.

BENUTZERHANDBUCH

MOTORWARTUNG

MOTORÖLWECHSEL

Lassen Sie das Altöl ab, solange der Motor warm ist. Warmes Öl fließt rasch und vollständig ab.

- Stellen Sie einen geeigneten Behälter unter den Motor, um das Altöl aufzufangen, und entfernen Sie dann den Einfülldeckel/Messstab und die Ablassschraube.
- Lassen Sie das Altöl vollständig ablaufen, setzen Sie dann die Ablassschraube wieder ein und ziehen Sie sie fest an.

Bitte entsorgen Sie gebrauchtes Motoröl umweltgerecht. Wir empfehlen Ihnen, Altöl in einem versiegelten Behälter zu Ihrem örtlichen Recycling-Center zu bringen.

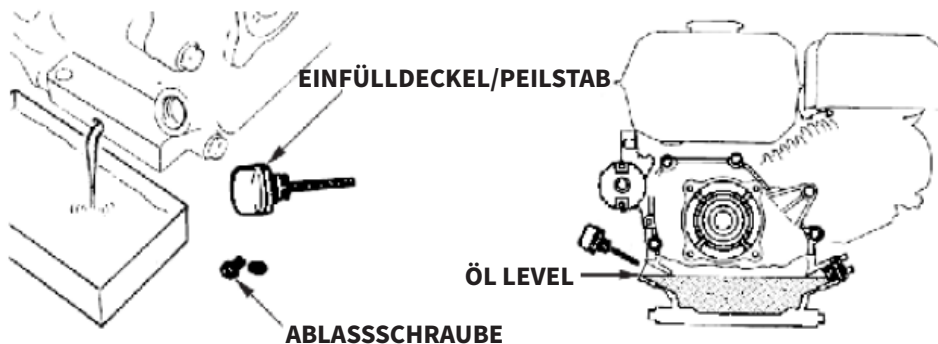
Werfen Sie es NICHT in den Mülleimer, schütten Sie es nicht auf den Boden oder in den Abfluss.

- Füllen Sie das empfohlene Öl bei waagrecht stehendem Motor bis zum äußeren Rand der Öleinfüllöffnung ein.
- Schrauben Sie den Einfülldeckel/Messstab fest ein.

Der Betrieb des Motors mit einem niedrigen Ölstand kann zu Motorschäden führen.

Das Oil Alert System (bei bestimmten Motortypen) schaltet den Motor automatisch ab, bevor der Ölstand unter den sicheren Grenzwert fällt.

Um jedoch die Unannehmlichkeiten einer unerwarteten Abschaltung zu vermeiden, sollten Sie den Ölstand bis zur Obergrenze auffüllen und ihn regelmäßig überprüfen.



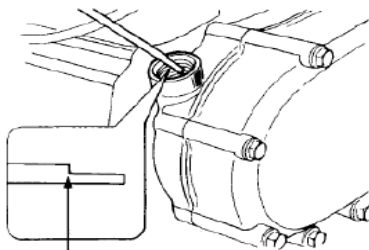
BENUTZERHANDBUCH

MOTORWARTUNG

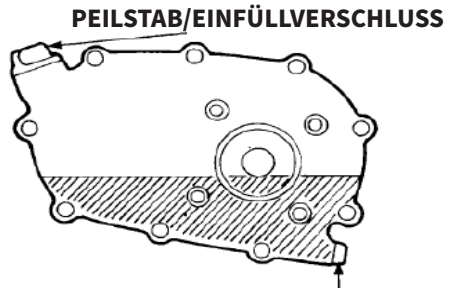
MOTORÖL WECHSEL

- Nehmen Sie den Öleinfülldeckel ab und wischen Sie den Ölmesstab sauber.
- Stecken Sie den Messstab in den Einfüllstutzen, aber schrauben Sie ihn nicht ein.
- Wenn der Ölstand zu niedrig ist, füllen Sie dasselbe Öl, das für den Motor empfohlen wird, bis zur oberen Markierung auf.

Ölkapazität des G200 - B: 500 cc



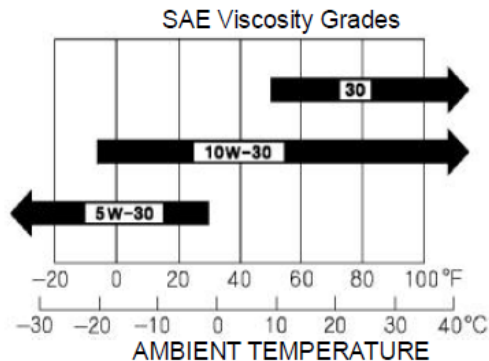
HÖCHSTGRENZE



ABLASSSCHRAUBE

MOTORÖLEMPFEHLUNGEN

Öl ist ein wichtiger Faktor für die Leistung und Lebensdauer. Verwenden Sie 4-Takt-Auto-mobil-Reinigungsmittelöl. SAE 10W-30 wird für den allgemeinen Gebrauch empfohlen. Andere in der Tabelle aufgeführte Viskositäten können verwendet werden, wenn die Durchschnittstemperatur in Ihrer Region innerhalb des empfohlenen Bereichs liegt.



BENUTZERHANDBUCH

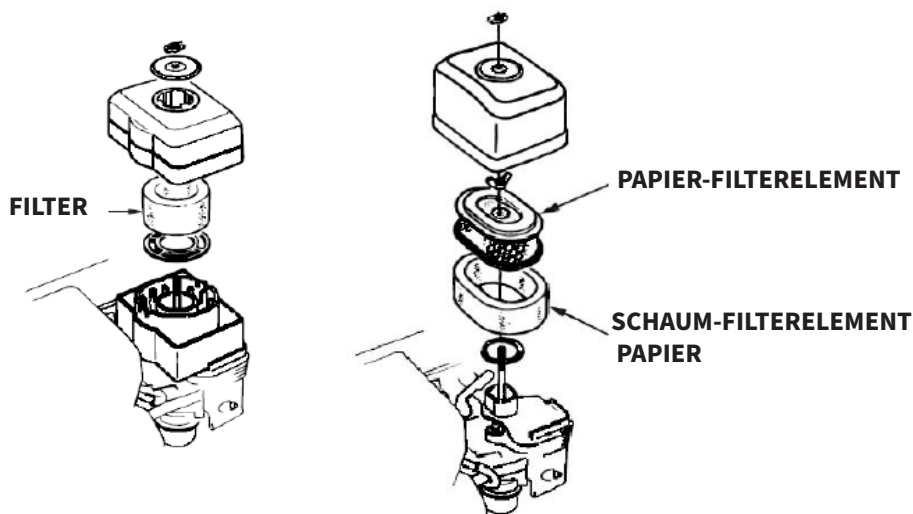
MOTORWARTUNG

LUFTFILTERINSPEKTION

Nehmen Sie die Abdeckung des Luftfilters ab und untersuchen Sie den Filter. Reinigen oder ersetzen Sie verschmutzte Filterelemente.

Wechseln Sie beschädigte Filterelemente immer aus.

Wenn der Motor mit einem Ölbad-Luftfilter ausgestattet ist, kontrollieren Sie auch den Ölstand.



LUFTFILTERINSPEKTION

Ein verschmutzter Luftfilter behindert den Luftstrom zum Vergaser, verringert die Motorleistung und kann zu schnellem Motorverschleiß und Schäden führen.

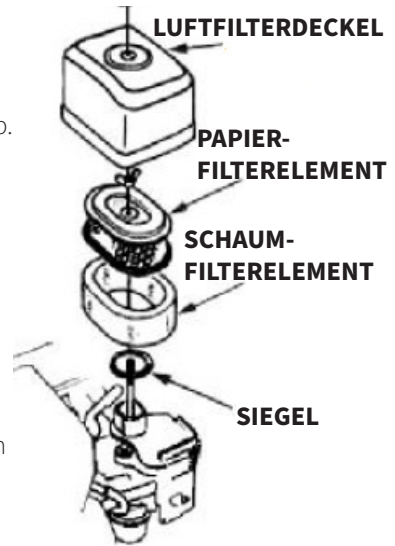
Wenn Sie den Motor in sehr staubigen Gebieten betreiben, reinigen Sie den Luftfilter häufiger als im WARTUNGSPLAN angegeben.

BENUTZERHANDBUCH

MOTORWARTUNG

ZWEI-FILTER-ELEMENT TYPEN

- Entfernen Sie die Flügelmutter von der Luftfilterabdeckung und nehmen Sie die Luftfilterabdeckung ab.
- Entfernen Sie die Flügelmutter vom Luftfilter und nehmen Sie den Filter heraus.
- Entfernen Sie den Schaumstofffilter aus dem Papierfilter.
- Prüfen Sie beide Luftfilterelemente und ersetzen Sie sie, wenn sie beschädigt sind. Wechseln Sie das Papier-Luftfilterelement immer in den vorgesehenen Intervallen aus.
- Reinigen Sie die Luftfilterelemente, wenn sie wiederverwendet



Papier-Luftfilterelement: Klopfen Sie das Filterelement mehrmals auf eine harte Oberfläche, um Schmutz zu entfernen, oder blasen Sie Druckluft [nicht mehr als 30 psi/2,06 Bar (207 kPa)] von innen durch das Filterelement. Versuchen Sie niemals, den Schmutz abzubürsten; durch Bürsten wird der Schmutz in die Fasern gedrückt.

Schaumstoff-Luftfilterelement: In warmer Seifenlauge reinigen, abspülen und trocknen lassen. Oder in nicht brennbarem Lösungsmittel reinigen und trocknen lassen. Tauchen Sie das Filterelement in sauberes Motoröl und drücken Sie das gesamte überschüssige Öl heraus. Wenn sich zu viel Öl im Schaumstoff befindet, raucht der Motor beim Starten.

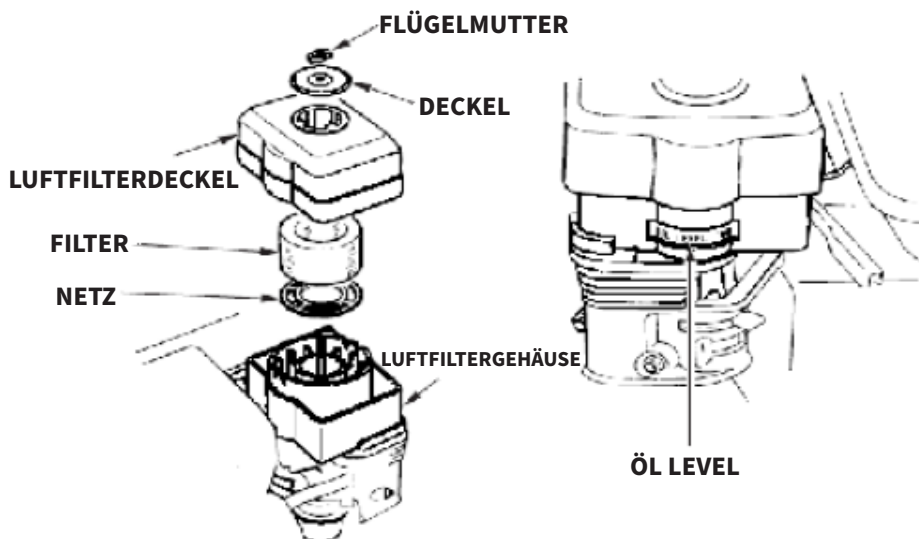
- Wischen Sie den Schmutz mit einem feuchten Lappen von der Innenseite des Luftfiltergehäuses und der Abdeckung ab. Achten Sie darauf, dass kein Schmutz in den zum Vergaser führenden Luftkanal gelangt.
- Setzen Sie das Schaumstoff-Luftfilterelement über das Papierelement und bauen Sie den zusammengebauten Luftfilter wieder ein. Vergewissern Sie sich, dass sich die Dichtung unter dem Luftfilter befindet. Ziehen Sie die Flügelmutter des Luftfilters fest an.
- Bringen Sie die Luftfilterabdeckung an und ziehen Sie die Flügelmutter der Abdeckung fest.

BENUTZERHANDBUCH

MOTORWARTUNG

ÖLBAD TYP

- Entfernen Sie die Flügelmutter und nehmen Sie den Luftfilterdeckel und die Abdeckung ab.
- Waschen Sie den Deckel und den Filter in warmer Seifenlauge, spülen Sie ihn ab und lassen Sie ihn gründlich trocknen. Oder in nicht brennbarem Lösungsmittel reinigen und trocknen lassen.
- Tauchen Sie den Filter in sauberes Motoröl und drücken Sie dann das überschüssige Öl aus. Der Motor raucht, wenn sich zu viel Öl im Schaumstoff befindet.
- Leeren Sie das Altöl aus dem Luftfiltergehäuse, waschen Sie den angesammelten Schmutz mit einem nicht brennbaren Lösungsmittel aus und trocknen Sie das Gehäuse.
- Füllen Sie das Luftfiltergehäuse bis zur OIL LEVEL-Markierung mit demselben Öl, das für den Motor empfohlen wird. Ölmenge: 2,0 US oz (60 cm³)
- Montieren Sie den Luftfilter wieder und ziehen Sie die Flügelmutter fest an.



BENUTZERHANDBUCH

MOTORWARTUNG



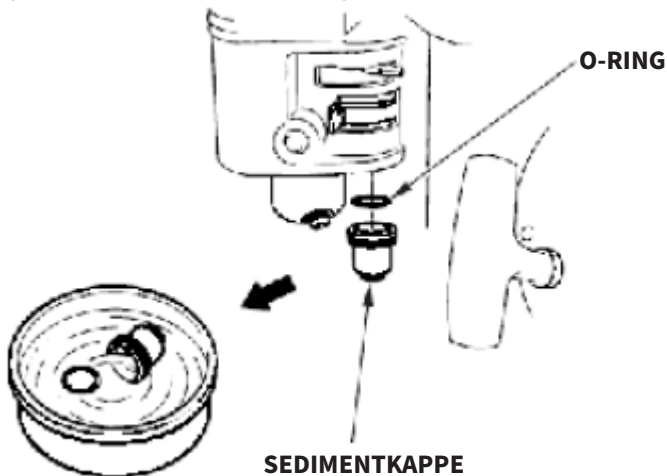
WARNUNG!

Benzin ist leicht entzündlich und explosiv. Beim Umgang mit Kraftstoff können Sie Verbrennungen oder schwere Verletzungen erleiden.

- Stellen Sie den Motor ab und halten Sie Hitze, Funken und Flammen fern.
- Brennstoff nur im Freien handhaben.
- Wischen Sie verschüttete Flüssigkeiten sofort auf.

REINIGUNG DES SEDIMENTBEHÄLTER

- Bringen Sie den Kraftstoffhahn in die OFF-Stellung und entfernen Sie dann den Kraftstoffsedimentbehälter und den O-Ring.
- Waschen Sie den Sedimentbehälter und den O-Ring in einem nicht entflammaren Lösungsmittel und trocknen Sie sie gründlich.
- Setzen Sie den O-Ring in das Kraftstoffventil ein und installieren Sie den Sedimentbehälter. Ziehen Sie den Ablagerungsbehälter fest an.
- Bringen Sie den Kraftstoffhahn in die Stellung ON und überprüfen Sie ihn auf Undichtigkeiten. Ersetzen Sie den O-Ring, wenn er undicht ist.



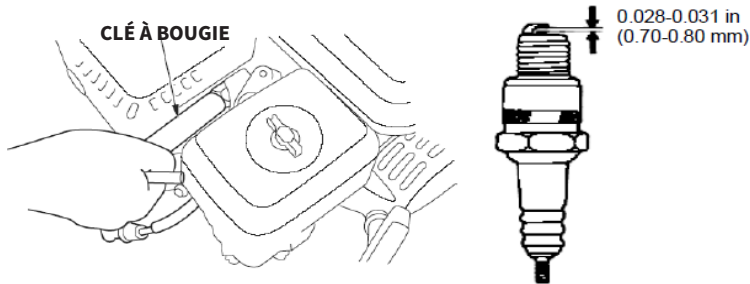
BENUTZERHANDBUCH

MOTORWARTUNG

ZÜNDKERZENSERVICE

Empfohlene Zündkerzen: F7RTC oder andere gleichwertige Kerzen. Eine falsche Zündkerze kann zu Motorschäden führen.

- Ziehen Sie den Zündkerzenstecker ab und entfernen Sie jeglichen Schmutz im Bereich der Zündkerze.
- Entfernen Sie die Zündkerze mit einem Zündkerzenschlüssel.



- Messen Sie den Elektrodenabstand der Zündkerze mit einer geeigneten Lehre.
- Der Spalt sollte 0,028 in -0,031 in (0,70 mm - 0,80 mm) betragen. Korrigieren Sie den Spalt ggf. durch vorsichtiges Biegen der Seitenelektrode.
- Setzen Sie die Zündkerze vorsichtig von Hand ein, um ein Überdrehen zu vermeiden.
- Nach dem Einsetzen der Zündkerze mit einem Zündkerzenschlüssel anziehen, um das Wasser zu komprimieren

Wenn Sie die gebrauchte Zündkerze wieder einbauen, ziehen Sie sie nach dem Einsetzen der Zündkerze um 1/8 - 1/4 Umdrehung an.

Wenn Sie eine neue Zündkerze einbauen, ziehen Sie sie 1/2 Umdrehung an, nachdem die Zündkerze sitzt

- Bringen Sie den Zündkerzenstecker an.

BENUTZERHANDBUCH

MOTORWARTUNG

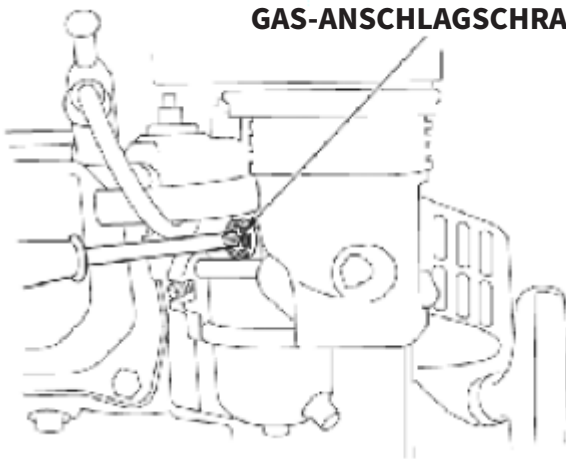


WARNUNG!

Eine lose Zündkerze kann überhitzen und den Motor beschädigen. Ein zu starkes Anziehen der Zündkerze kann die Gewinde im Zylinderkopf beschädigen.

EINSTELLUNG DER LEERLAUFDREHZAHL

- Starten Sie den Motor im Freien und lassen Sie ihn auf Betriebstemperatur warmlaufen.
- Stellen Sie den Gashebel in die langsamste Position.
- Drehen Sie die Drosselklappenschraube, um die Standard-Leerlaufdrehzahl einzustellen. Standard-Leerlaufdrehzahl: 1.400 ± 150 U/min



GAS-ANSCHLAGSCHRAUBE

BENUTZERHANDBUCH

LAGERN/TRANSPORTIEREN

LAGERUNG IHRES MOTORS

VORBEREITUNG DER LAGERUNG

Die richtige Vorbereitung auf die Lagerung ist entscheidend dafür, dass Ihr Motor störungsfrei läuft und gut aussieht. Die folgenden Schritte tragen dazu bei, dass Rost und Korrosion die Funktion und das Aussehen Ihres Motors nicht beeinträchtigen und dass der Motor nach der Einlagerung leichter zu starten ist.

REINIGUNG

Wenn der Motor warm ist, lassen Sie ihn vor der Reinigung mindestens eine halbe Stunde lang abkühlen. Reinigen Sie Außenflächen, bessern Sie beschädigte Lackstellen aus und bestreichen Sie rostanfällige Bereiche mit einem leichten Ölfilm.



WARNUNG!

Bei Verwendung eines Gartenschlauchs oder einer Hochdruckreinigungsanlage kann Wasser in den Luftfilter oder die Schalldämpferöffnung eindringen. Wasser im Luftfilter durchnässt den Luftfilter, und Wasser, das durch den Luftfilter oder Schalldämpfer gelangt, kann in den Zylinder eindringen und Schäden verursachen.



WARNUNG!

Wasser, das mit einem heißen Motor in Berührung kommt, kann Schäden verursachen. Wenn der Motor gelaufen ist, lassen Sie ihn vor dem Waschen mindestens eine halbe Stunde lang abkühlen.

KRAFTSTOFF

Benzin oxidiert und verschlechtert sich bei der Lagerung. Altes Benzin verursacht Startschwierigkeiten und hinterlässt Kaugummiablagerungen, die das Kraftstoffsystem verstopfen. Wenn sich das Benzin in Ihrem Motor während der Lagerung verschlechtert, müssen Sie möglicherweise den Vergaser und andere Komponenten des Kraftstoffsystems warten oder ersetzen lassen.

BENUTZERHANDBUCH

LAGERN/TRANSPORTIEREN

Wie lange Benzin im Kraftstofftank und im Vergaser verbleiben kann, ohne Funktionsstörungen zu verursachen, hängt von Faktoren wie der Benzinmischung, den Lagertemperaturen und davon ab, ob der Kraftstofftank teilweise oder vollständig gefüllt ist. Die Luft in einem teilweise gefüllten Kraftstofftank fördert den Verfall des Kraftstoffs. Sehr warme Lagerungs-/Temperaturen beschleunigen den Kraftstoffverschleiß. Kraftstoffverschlechterungsprobleme können innerhalb weniger Monate auftreten, oder sogar noch früher, wenn das Benzin beim Befüllen des Tanks nicht frisch war.

Die eingeschränkte Garantie des Händlers deckt keine Schäden am Kraftstoffsystem oder Leistungsprobleme des Motors ab, die auf eine vernachlässigte Vorbereitung der Lagerung zurückzuführen sind.

Sie können die Haltbarkeit des Kraftstoffs verlängern, indem Sie einen dafür vorgesehenen Kraftstoffstabilisator hinzufügen, oder Sie können Probleme mit dem Verfall des Kraftstoffs vermeiden, indem Sie den Kraftstofftank und den Vergaser entleeren.

ZUGABE EINES KRAFTSTOFFSTABILISATORS ZUR VERLÄNGERUNG DER HALTBARKEIT DES KRAFTSTOFFS

Wenn Sie einen Kraftstoffstabilisator hinzufügen, füllen Sie den Kraftstofftank mit frischem Benzin. Wenn der Tank nur teilweise gefüllt ist, fördert die Luft im Tank den Verfall des Kraftstoffs während der Lagerung. Wenn Sie einen Benzinkanister zum Tanken aufbewahren, achten Sie darauf, dass er nur frisches Benzin enthält.

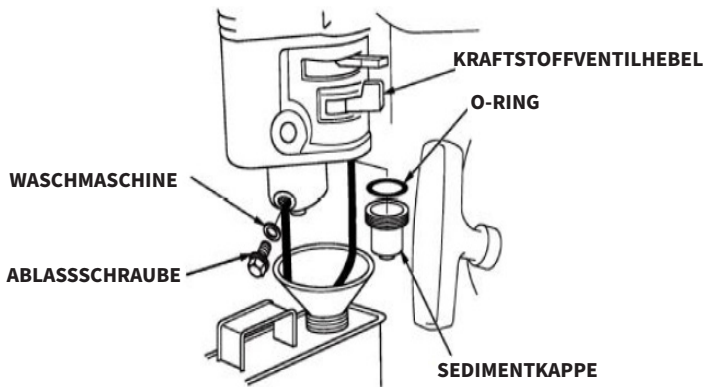
- Fügen Sie den Kraftstoffstabilisator gemäß den Anweisungen des Herstellers hinzu.
- Lassen Sie den Motor nach der Zugabe eines Kraftstoffstabilisators 10 Minuten lang im Freien laufen, um sicherzustellen, dass das behandelte Benzin das unbehandelte Benzin im Vergaser ersetzt hat.
- Stellen Sie den Motor ab und bringen Sie den Kraftstoffhahn in die AUS-Stellung.

BENUTZERHANDBUCH

LAGERN/TRANSPORTIEREN

ENTLEEREN DES KRAFTSTOFFTANKS UND DES VERGASERS

- Stellen Sie einen zugelassenen Benzinbehälter unter den Vergaser und verwenden Sie einen Trichter, um das Verschütten von Kraftstoff zu vermeiden.
- Entfernen Sie die Vergaserablassschraube und den Ablagerungsbehälter und stellen Sie dann den Kraftstoffventilhebel auf ON.
- Wenn der Kraftstoff in den Behälter abgelassen wurde, setzen Sie die Ablassschraube und den Sedimentbehälter wieder ein. Ziehen Sie sie fest an.



VORSICHTSMASSNAHMEN BEI DER LAGERUNG

- Wechseln Sie das Motoröl.
- Entfernen Sie die Zündkerzen.
- Geben Sie einen Esslöffel (5-10 cm³) sauberes Motoröl in den Zylinder.
- Ziehen Sie mehrmals am Starterseil, um das Öl im Zylinder zu verteilen.
- Bauen Sie die Zündkerzen wieder ein.

BENUTZERHANDBUCH

LAGERN/TRANSPORTIEREN

- Ziehen Sie langsam am Starterseil, bis Sie einen Widerstand spüren. Dadurch werden die Ventile geschlossen, so dass keine Feuchtigkeit in den Motorzylinder gelangen kann. Ziehen Sie das Starterseil vorsichtig zurück.

Wenn Ihr Motor mit Benzin im Kraftstofftank und Vergaser gelagert wird, ist es wichtig, die Gefahr der Entzündung von Benzindämpfen zu verringern. Wählen Sie einen gut belüfteten Lagerbereich, der sich nicht in der Nähe von Geräten befindet, die mit einer Flamme betrieben werden, wie z. B. Öfen, Warmwasserbereiter oder Wäscheständer. Trockner. Vermeiden Sie auch Bereiche, in denen Funken erzeugende Elektromotoren oder Elektrowerkzeuge betrieben werden.

Vermeiden Sie Lagerräume mit hoher Luftfeuchtigkeit, da diese Rost und Korrosion fördern.

Sofern nicht der gesamte Kraftstoff aus dem Tank abgelassen wurde, lassen Sie den Hebel des Kraftstoffventils auf OFF, um die Möglichkeit eines Kraftstoffaustritts zu verringern.

Stellen Sie das Gerät so auf, dass der Motor waagrecht steht. Ein Kippen kann zu Kraftstoff- oder Ölaustritt führen.

Decken Sie den Motor bei abgekühltem Motor und Auspuffsystem ab, um Staub zu vermeiden. Ein heißer Motor und eine heiße Auspuffanlage können einige Materialien entzünden oder schmelzen. Verwenden Sie keine Plastikfolie als Staubschutz. Eine nicht poröse Abdeckung schließt die Feuchtigkeit um den Motor herum ein und fördert Rost und Korrosion.

Wenn der Motor mit einer Batterie für einen elektrischen Anlasser ausgestattet ist, laden Sie die Batterie einmal im Monat auf, während der Motor gelagert wird. Dies trägt dazu bei, die Lebensdauer der Batterie zu verlängern.

BENUTZERHANDBUCH

LAGERN/TRANSPORTIEREN

AUSLAGERUNG

Überprüfen Sie Ihren Motor wie im Kapitel VOR DEM BETRIEB PRÜFEN beschrieben.

Wenn der Kraftstoff bei der Vorbereitung der Lagerung abgelassen wurde, füllen Sie den Tank mit frischem Benzin. Wenn Sie einen Benzinkanister zum Tanken aufbewahren, achten Sie darauf, dass er nur frisches Benzin enthält.

Benzin oxidiert und verschlechtert sich mit der Zeit, was zu Startschwierigkeiten führt. Wenn die Zylinder bei der Vorbereitung der Lagerung mit Öl beschichtet wurden, kann der Motor beim Starten kurz rauchen. Das ist normal.

TRANSPORT

Wenn der Motor gelaufen ist, lassen Sie ihn mindestens 15 Minuten lang abkühlen, bevor Sie die motorbetriebene Ausrüstung auf das Transportfahrzeug laden. Ein heißer Motor und eine heiße Auspuffanlage können Verbrennungen verursachen und einige Materialien entzünden.

Halten Sie den Motor während des Transports waagrecht, um die Möglichkeit eines Kraftstoffaustritts zu verringern. Stellen Sie den Hebel des Kraftstoffventils in die Position

BENUTZERHANDBUCH

MÖGLICHE PROBLEMLÖSUNGEN

WAS MUSS ICH TUN, WENN TEILE IN MEINER BESTELLUNG FEHLEN?

Sollte ein Teil Ihrer Bestellung fehlen, wenden Sie sich bitte innerhalb von 7 Tagen nach Erhalt an unser freundliches und hilfsbereites Kundendienstteam.

MOTOR SPRINGT NICHT AN	MÖGLICHE URSACHE	KORREKTUR
Elektrisches Anlassen: Batterie prüfen	Batterie ist entladen.	Batterie aufladen.
Kontrollpositionen überprüfen	Kraftstoffventil OFF	Hebel auf ON stellen
	Drossel OPEN	Hebel auf CLOSE stellen, wenn der Motor nicht warm ist
	Motorschalter OFF	Mettez l'interrupteur du moteur sur ON
Kraftstoff prüfen.	Kein Treibstoff mehr	Tanken Sie
	Schlechter Kraftstoff; Motor wurde ohne Aufbereitung oder Ablassen von Benzin gelagert oder mit schlechtem Benzin betankt.	Kraftstofftank und Vergaser entleeren. Tanken Sie frisches Benzin.
Zündkerzen ausbauen und prüfen	Zündkerzen defekt, verschmutzt oder mit falschem Abstand.	Zündkerzen entlüften oder ersetzen.
	Mit Kraftstoff benetzte Zündkerzen (überfluteter Motor).	Zündkerzen trocknen und wieder einbauen. Starten Sie den Motor mit dem Gasbedienungshebel in der Stellung FAST.
Bringen Sie den Motor zu einem autorisierten Händler oder lesen Sie im Handbuch nach.	Kraftstofffilter verstopft, Vergaser defekt, Zündung defekt, Ventil verklemmt, usw.	Ersetzen oder Reparieren von fehlerhaften Komponenten, falls erforderlich

FEHLERBEHANDLUNG

Mögliche Lösungswege

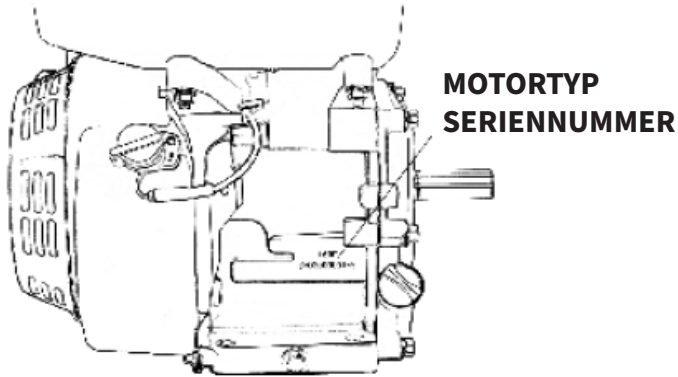
LDEM MOTOR FEHLT ES AN LEISTUNG	MÖGLICHE URSACHE	KORREKTUR
Luftfilter prüfen	Filterelement(e) verstopft.	Filterelement(e) reinigen oder ersetzen.
Kraftstoff prüfen.	Kein Treibstoff mehr.	Tanken Sie.
	MSchlechter Kraftstoff: Der Motor wurde gelagert, ohne dass das Benzin behandelt oder abgelassen wurde, oder er wurde betankt mit schlechtes Benzin.	Kraftstofftank und Vergaser entleeren. Tanken Sie frisches Benzin.
Bringen Sie den Motor zu einem autorisierten Händler oder lesen Sie im Handbuch nach.	Kraftstofffilter verstopft, Vergaser defekt, Zündung defekt, Ventil verklemmt, usw.	Ersetzen oder reparieren Sie gegebenenfalls fehlerhafte Komponenten.

FÜR ALLE ANDEREN FRAGEN WENDEN SIE SICH BITTE AN UNSEREN KUNDENDIENST.

PROBLEMBANLUNG

TECHNISCHE INFORMATIONEN

STANDORT DER SERIENNUMMER



Tragen Sie die Seriennummer des Motors in das unten stehende Feld ein. Sie benötigen diese Seriennummer bei der Bestellung von Ersatzteilen und bei technischen oder Garantiefanfragen.

Seriennummer des Motors : _____

BATTERIEANSCHLÜSSE FÜR ELEKTROSTARTER

Verwenden Sie eine 12-Volt-Batterie mit einer Amperestundenzahl von mindestens 18 Ah.

Achten Sie darauf, die Batterie nicht in umgekehrter Polarität anzuschließen, da dies zu einem Kurzschluss des Batterieladesystems führt. Schließen Sie das Pluskabel (+) der Batterie immer an den Batteriepol an, bevor Sie das Minuskabel (-) der Batterie anschließen, damit Ihre Werkzeuge keinen Kurzschluss verursachen können, wenn sie beim Anziehen des Pluskabels (+) der Batterie ein geerdetes Teil berühren.

ZUSÄTZLICHE INFORMATION

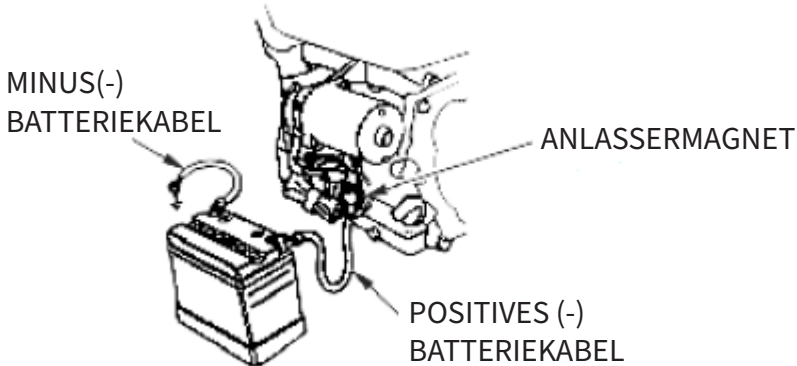
TECHNISCHE INFORMATIONEN



WARNUNG!

Eine Batterie kann explodieren, wenn Sie nicht korrekt vorgehen und dabei Personen in der Nähe schwer verletzen. Halten Sie alle Funken, offenen Flammen und rauchenden Materialien von der Batterie fern.

- Schließen Sie das Pluskabel (+) der Batterie wie abgebildet an die Klemme des Anlassers an.
- Verbinden Sie das Minuskabel (-) der Batterie mit einer Motorbefestigungsschraube, einer Rahmenschraube oder einer anderen guten Masseverbindung des Motors.
- Schließen Sie das Pluskabel (+) der Batterie wie abgebildet an deren Pluspol (+) an.
- Schließen Sie das Minuskabel (-) der Batterie wie abgebildet an deren Minuspol (-) an.
- Streichen Sie die Klemmen und Kabelenden mit Fett ein.



ZUSÄTZLICHE INFORMATION

TECHNISCHE INFORMATIONEN

VERGASERMODIFIKATION FÜR DEN BETRIEB IN GROSSEN HÖHEN

In großen Höhen ist das Luft-Kraftstoff-Gemisch des Standardvergasers zu fett. Die Leistung sinkt, und der Kraftstoffverbrauch steigt. Ein sehr fettes Gemisch kann auch die Zündkerze verschmutzen und Startschwierigkeiten verursachen. Der Betrieb in einer anderen Höhenlage als der, für die der Motor zugelassen wurde, über einen längeren Zeitraum kann die Emissionen erhöhen.

Die Leistung in großen Höhen kann durch spezielle Modifikationen des Vergasers verbessert werden. Wenn Sie Ihren Motor immer in Höhenlagen über 1.500 m (5.000 Fuß) betreiben, lassen Sie diese Vergaser-Modifikation von Ihrem Händler durchführen. Wenn der Motor in großen Höhen mit den Vergaser-Modifikationen für den Einsatz in großen Höhen betrieben wird, erfüllt er während seiner gesamten Nutzungsdauer alle Emissionsstandards.

Selbst wenn der Vergaser modifiziert wird, sinkt die Motorleistung um etwa 3,5 % pro 300 m (1.000 Fuß) Höhenzunahme. Die Auswirkung der Höhe auf die Leistung ist noch größer, wenn keine Vergaser-Modifikation vorgenommen wird.



WARNUNG!

Wenn der Vergaser für den Betrieb in großen Höhen modifiziert wurde, ist das Luft-Kraftstoff-Gemisch für den Betrieb in geringen Höhen zu mager. Der Betrieb in Höhen unter 1.500 m (5.000 Fuß) mit einem modifizierten Vergaser kann zu einer Überhitzung des Motors und damit zu schweren Motorschäden führen. Für den Einsatz in niedrigen Höhenlagen, lassen Sie den Vergaser von Ihrem Fachhändler auf die ursprünglichen Werksspezifikationen zurücksetzen.

ZUSÄTZLICHE INFORMATION

TECHNISCHE INFORMATIONEN

SAUERSTOFFHALTIGE KRAFTSTOFFE

Einige herkömmliche Benzine werden mit Alkohol oder einer Etherverbindung gemischt. Diese Kraftstoffe werden unter dem Begriff "sauerstoffhaltige Kraftstoffe" zusammengefasst.

Um die Luftreinhaltungsnormen zu erfüllen, werden in einigen Gebieten sauerstoffhaltige Kraftstoffe verwendet, um die Emissionen zu verringern.

Wenn Sie einen sauerstoffhaltigen Kraftstoff verwenden, achten Sie darauf, dass er bleifrei ist und die Mindestoktanzahl erfüllt.

Bevor Sie einen sauerstoffhaltigen Kraftstoff verwenden, sollten Sie sich über den Inhalt des Kraftstoffs informieren. In einigen Gebieten müssen diese Informationen auf der Zapfsäule angegeben werden.

Nachfolgend sind die von der EPA genehmigten Prozentsätze von Sauerstoffverbindungen aufgeführt:

ETHANOL - (Ethyl- oder Getreidealkohol) 10 Volumenprozent

Sie können Benzin mit einem Ethanolanteil von bis zu 10 Volumenprozent verwenden. Ethanolhaltiges Benzin kann unter der Bezeichnung "E10-Benzin" vermarktet werden.

Wenn Sie unerwünschte Betriebssymptome feststellen, sollten Sie eine andere Tankstelle aufsuchen oder zu einer anderen Benzinmarke wechseln.

Schäden am Kraftstoffsystem oder Leistungsprobleme, die auf die Verwendung eines sauerstoffhaltigen Kraftstoffs zurückzuführen sind, der mehr als die oben genannten Prozentsätze an sauerstoffhaltigem Kraftstoff enthält, werden nicht von der Garantie abgedeckt.

ZUSÄTZLICHE INFORMATION

TECHNISCHE INFORMATIONEN

EMISSIONSQUELLE

Bei der Verbrennung entstehen Kohlenmonoxid, Stickstoffoxide und Kohlenwasserstoffe. Die Kontrolle von Kohlenwasserstoffen und Stickstoffoxiden ist sehr wichtig, da sie unter bestimmten Bedingungen bei Sonneneinstrahlung zu photochemischem Smog reagieren. Kohlenmonoxid reagiert nicht auf die gleiche Weise, ist aber giftig.

Dabei werden magere Vergasereinstellungen und andere Systeme eingesetzt, um die Emissionen von Kohlenmonoxid, Stickstoffoxiden und Kohlenwasserstoffen zu verringern.

MANIPULATIONEN UND ABÄNDERUNGEN

Manipulationen oder Veränderungen am Emissionskontrollsystem können die Emissionen über den gesetzlichen Grenzwert hinaus erhöhen. Zu den Handlungen, die eine Manipulation darstellen, gehören:

- Entfernen oder Ändern von Teilen der Ansaug-, Kraftstoff- oder Auspuffanlage.
- Veränderung oder Umgehung des Reglergestänges oder des Drehzahlregelungsmechanismus, um den Motor außerhalb seiner Konstruktionsparameter zu betreiben.

PROBLEME, DIE SICH AUF DIE EMISSIONEN AUSWIRKEN KÖNNEN

Wenn Sie eines der folgenden Symptome feststellen, lassen Sie Ihren Motor von Ihrem Vertragshändler überprüfen und reparieren.

- Schweres Anfahren oder Abwürgen nach dem Start.
- Unruhiger Leerlauf.
- Zündaussetzer oder Fehlzündungen unter Last.
- Nachverbrennung (Rückzündung).
- Schwarzer Auspuffrauch oder hoher Kraftstoffverbrauch.

ZUSÄTZLICHE INFORMATION

INFORMATIONEN ZUM EMISSIONSMINDERUNGSSYSTEM

AUSTAUSCHTEILE

Wir empfehlen die Verwendung von Originalteilen, wenn Sie Wartungsarbeiten durchführen lassen. Diese Original-Ersatzteile werden nach den gleichen Standards wie die Originalteile hergestellt, so dass Sie sich auf ihre Leistung verlassen können. Die Verwendung von Ersatzteilen, die nicht dem Originaldesign und der Originalqualität entsprechen, kann die Wirksamkeit Ihres Abgasreinigungssystems beeinträchtigen.

Der Hersteller eines Nachrüstteils übernimmt die Verantwortung dafür, dass das Teil die Emissionsleistung nicht beeinträchtigt. Der Hersteller oder Umrüster des Teils muss bestätigen, dass die Verwendung des Teils nicht dazu führt, dass der Motor die Emissionsvorschriften nicht einhält.

WARTUNG

Beachten Sie den Wartungsplan. Denken Sie daran, dass dieser Zeitplan davon ausgeht, dass Ihre Maschine für den vorgesehenen Zweck eingesetzt wird. Bei anhaltender hoher Belastung oder hohen Temperaturen oder bei Einsatz unter ungewöhnlich nassen oder staubigen Bedingungen ist eine häufigere Wartung erforderlich.

MOTOREN-TUNE-UP

TEIL	SPEZIFIKATION
Zündkerzenabstand	0,028-0,031 in (0.70 mm -0.80 mm)
Ventilspiel	0.15 mm±0.02 mm (kalt) EX: 0.20 mm±0.02 mm (kalt)
Andere Spezifikationen	Keine weiteren Anpassungen erforderlich

ZUSÄTZLICHE INFORMATION

VERBRAUCHERINFORMATION

VERÖFFENTLICHUNGEN

Diese Publikationen geben Ihnen zusätzliche Informationen zur Wartung und Reparatur Ihres Motors. Sie können sie bei Ihrem Motorhändler bestellen.

TEILKATALOG

Dieses Handbuch enthält vollständige, bebilderte Teilelisten.

KURZREFERENZINFORMATIONEN

Motoröl	Typ	SAE 10W-30, API SE oder SF, für allgemeine Verwendung
	Kapazität	G200F : 0,6 L
Zündkerze	Type	F7RTC oder andere Äquivalente.
	Lücke	0,028-0,031 in (0,70 mm-0,80 mm)
Vergaser	Leerlaufdrehzahl	1400 tr/min±150 tr/min
Wartung	Jede Verwendung	Motoröl prüfen. Luftfilter prüfen.
	Die ersten 20 Stunden	Motoröl wechseln.
	Nachfolgend	Beachten Sie die Wartungshinweise

ZUSÄTZLICHE INFORMATION

SPEZIFIKATIONEN

Typ	Einzyylinder, 4-Takt, Gebläsekühlung, OHV
Nennleistung (kW/3600rpm)	3.8
Max. Drehmoment (N-m/rpm)	13/3000
Kraftstoffverbrauch (g/kW-h)	≤395
Leerlaufdrehzahl	1400±150
Geschwindigkeit Schwankendes Verhältnis	≤10%
Übertragungsmodus	-
Verkleinerungsfaktor	-
Rauschen (≤)	70db(A)
Bohrung Hub(mm)	68×54
Verdrängung(cc)	196
Verdichtungsverhältnis	8.5:1
Modus Schmierung	Spritzwasser
Startmodus	Rückholstarter
Drehung	Gegen den Uhrzeigersinn (von der Zapfwellen-seite aus)
Ventilspiel	Eingangsventil - 0,10 - 0,15 mm, Ausgangsventil - 0,15 - 0,20 mm
Zündkerzenspiel	0.7 - 0.8mm
Zündungsmodus	Transistorisierte Magnetzündung
Luftfilter	Halbtrocken, Ölbad, Schaumstofffilter
Abmessung (Länge)	312mm
Abmessung (Breite)	376mm
Dimension (hoch)	335mm
Nettogewicht (kg)	16(19)

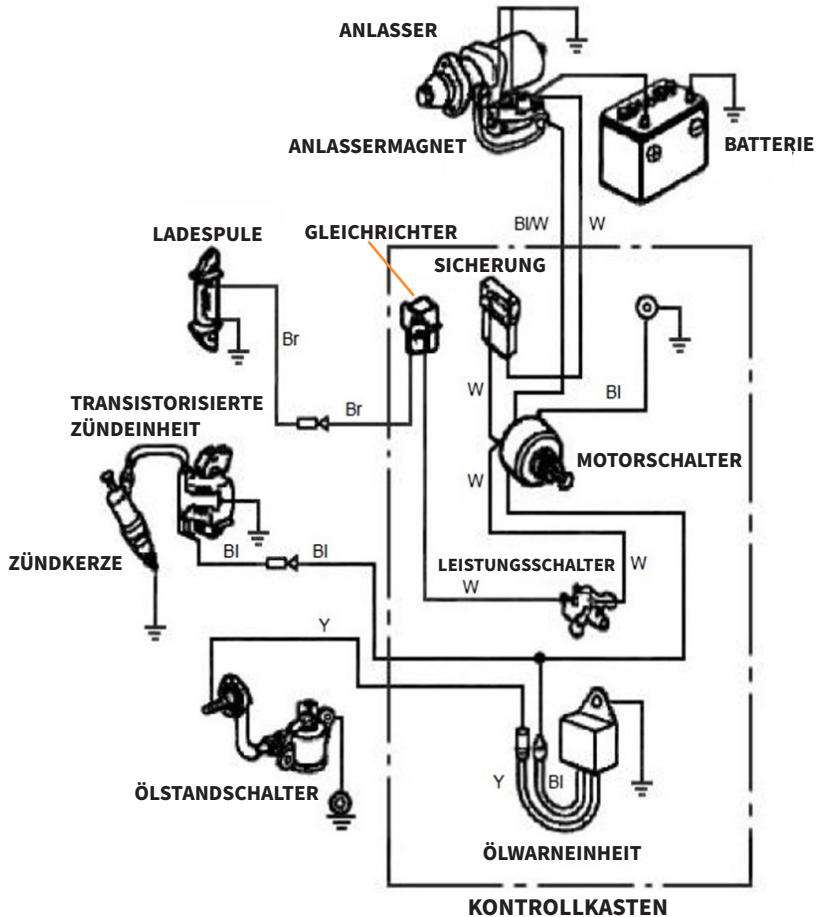
ZUSÄTZLICHE INFORMATION

VERDRAHTUNGSSCHEMATA

MOTORSCHALTER

	ZÜN	MO	ST	ANL
OFF	O	O		
ON				
START			O	O

BI	SCHWARZ	BR	BRAUN
Y	GELB	R	ROT
W	WEISS	G	GRÜN

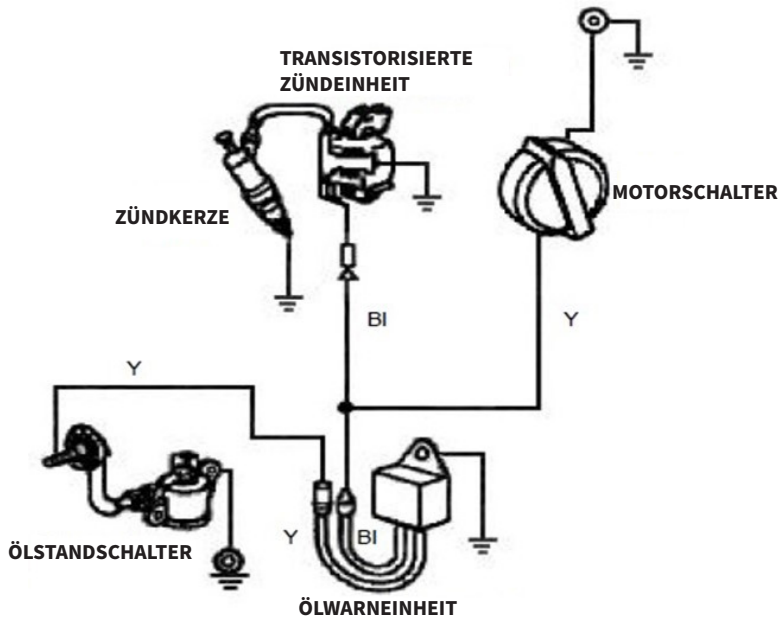


ZUSÄTZLICHE INFORMATION

VERDRAHTUNGSSCHEMATA

MOTORTYP MIT ÖLALARM UND OHNE ELEKTROSTART

Bl	SCHWARZ
Y	GELB
G	GRÜN



ZUSÄTZLICHE INFORMATION

VERDRAHTUNGSSCHEMATA

BATTERIE

BBATTERIE - OPTIONALES TEIL

Verwenden Sie eine Batterie mit einer Nennleistung von 12 V, 18 Ah oder mehr.



WARNUNG!

Die Polarität darf nicht umgekehrt werden. Dies kann zu ernsthaften Schäden am Motor und/oder der Batterie führen.



WARNUNG!

Eine Batterie kann explodieren, wenn Sie nicht korrekt vorgehen und dabei Personen in der Nähe schwer verletzen.
Halten Sie alle Funken, offenen Flammen und rauchenden Materialien von der Batterie fern.

Prüfen Sie den Elektrolytstand, um sicherzustellen, dass er zwischen den Markierungen auf dem Gehäuse liegt. Liegt der Stand unter der unteren Markierung, nehmen Sie die Deckel ab und füllen Sie destilliertes Wasser nach, um den Elektrolytstand auf die obere Markierung zu bringen. Die Zellen sollten gleichmäßig gefüllt sein.



ESPECIFICACIONES

DESCRIPCIÓN DEL PRODUCTO

Su nuevo mini transportador satisfará con creces sus expectativas. Ha sido fabricado bajo estrictos estándares de calidad para cumplir con criterios de rendimiento muy altos. Descubrirá que es fácil y seguro de operar y, con el cuidado adecuado, le brindará muchos años de servicio confiable.

La caja de cambios de cuatro velocidades, tres hacia adelante y una hacia atrás, se encuentra en el corazón de la unidad. Está sobredimensionado para gestionar con seguridad los enormes pares generados por el motor. Gracias a su eficiente engranaje reductor, es capaz de moverse en cualquier situación y soportar cualquier carga.

El fabricante del motor es responsable de todas las cuestiones relacionadas con el motor con respecto al rendimiento, la potencia nominal, las especificaciones, la garantía y el servicio. Consulte la sección del manual del motor.

ESPECIFICACIONES DEL PRODUCTO

Motor	196 ccm 6,5 PS
Tipo de combustible	Bleifrei (95)
Transmisión	3F + 1R
Capacidad de carga	300kg
Longitud de la caja	907-1004mm
Ancho de la caja	600-860 mm
Profundidad de la caja	210mm
Ancho de pista	180mm
Nivel potencia de sonido	103dB
Peso	178kg

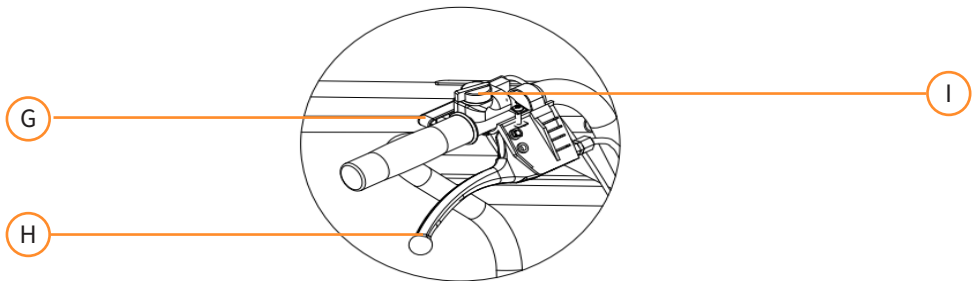
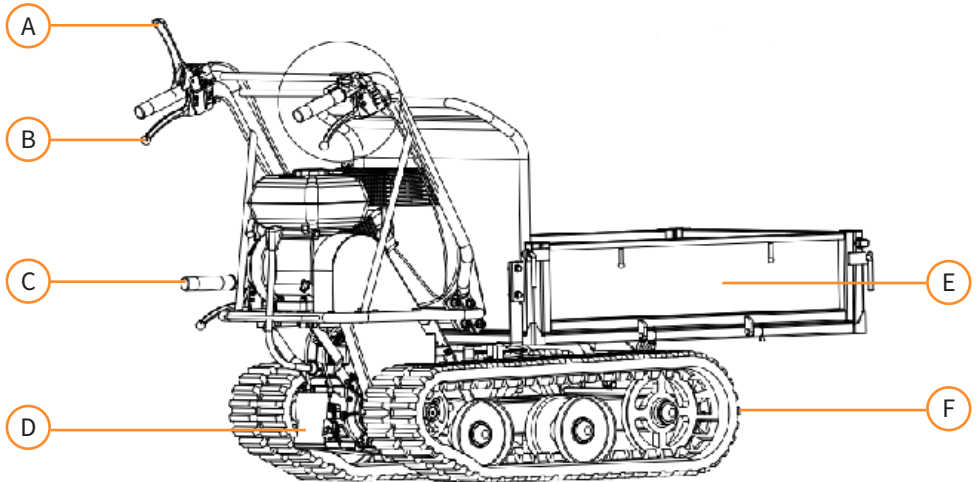
CONTENIDO

N.º de pieza	Descripción	Cantidad
1	Marco principal	1
2	Manillar	1
3	Mango basculante	1
4	Caja volcadora	1
5	Manual de instrucciones	1

ESPECIFICACIONES

CARACTERÍSTICAS DEL PRODUCTO

- | | |
|-----------------------------------|-------------------------------------|
| A. Palanca del embrague | F. Oruga |
| B. Palanca de dirección izquierda | G. Palanca del acelerador |
| C. Mango basculante | H. Palanca de dirección derecha |
| D. Caja de cambios | I. Interruptor de encendido/apagado |
| E. Caja volcadora | |



La responsabilidad de Monster Group UK Limited se limitará únicamente al valor comercial del producto.

CONSEJOS DE SEGURIDAD

! PRÁCTICAS DE TRABAJO SEGURO



¡ADVERTENCIA!

Esta máquina debe ser utilizada únicamente por adultos.

Entiende su máquina

- Lea y comprenda el manual del operador y las etiquetas adheridas a la máquina. Conozca su aplicación y limitaciones, así como los peligros potenciales específicos que le son propios.
- Familiarícese a fondo con los controles y su correcto funcionamiento. Saber cómo parar la máquina y desconectar los controles rápidamente es muy importante.
- Asegúrese de leer y comprender todas las instrucciones y precauciones de seguridad que se describen en la sección Manual del motor.
- NO intente operar la máquina hasta que comprenda completamente cómo hacerlo correctamente. Operar y mantener el motor y cómo evitar lesiones accidentales y/o daños.

Área de trabajo

- NO arranque ni haga funcionar la máquina dentro de un área cerrada. Los gases de escape son peligrosos, contienen monóxido de carbono, un gas inodoro y letal. Opere esta unidad solo en área exterior bien ventilada.
- NO opere la máquina sin buena visibilidad o luz.

Vístase apropiadamente

- lleve pantalones largos gruesos, botas y guantes.
- NO use ropa suelta, pantalones cortos y joyas de ningún tipo.
- Recoja el cabello largo para que quede por encima del nivel de los hombros.
- Mantenga su cabello, ropa y guantes alejados de las piezas móviles.

CONSEJOS DE SEGURIDAD

PRÁCTICAS DE TRABAJO SEGURO

Uso del equipo de seguridad

- Siempre use protección para los ojos. El equipo de seguridad, como una máscara contra el polvo, un casco o protección para los oídos, que se use en las condiciones apropiadas, reducirá las lesiones personales.
- Revise su máquina antes de ponerla en marcha. Mantenga los protectores en su lugar y en buen estado de funcionamiento. Asegúrese de que todas las tuercas, pernos, etc. estén bien apretados.
- NO opere la máquina cuando necesite reparación o esté en malas condiciones mecánicas. Reemplace las piezas dañadas, faltantes o defectuosas antes de usarlo. Compruebe si hay fugas de combustible. Mantenga la máquina en condiciones de trabajo óptimas.
- NO quite ni manipule los dispositivos de seguridad. Controle regularmente su correcto funcionamiento.
- NO utilice la máquina si el interruptor del motor no enciende o apaga. Cualquier máquina a gasolina que no se pueda controlar con el interruptor del motor es peligrosa y debe ser reemplazada.
- Acostúmbrase a comprobar que las llaves y las llaves de ajuste se hayan retirado de área de la máquina antes de ponerla en marcha. Una llave que se deje unida a una pieza giratoria de la máquina puede provocar lesiones personales.
- Manténgase alerta, mire lo que está haciendo y use el sentido común cuando opere la máquina.
- NO opere la máquina descalzo o con sandalias o calzado similar. Use calzado protector que proteja sus pies y mejore su equilibrio sobre superficies resbaladizas. Esto permite un mejor control de la máquina en situaciones inesperadas.
- Evite el arranque accidental. Asegúrese de que el motor esté apagado antes de transportar la máquina o realizar cualquier mantenimiento o servicio en la unidad. Transportar o realizar tareas de mantenimiento o servicio en una máquina con el motor encendido fomenta los accidentes.

CONSEJOS DE SEGURIDAD

PRÁCTICAS DE TRABAJO SEGURO

Seguridad personal

- NO opere la máquina bajo la influencia de drogas, alcohol o cualquier medicamento que pueda afectar su capacidad para usarla correctamente.

Seguridad del combustible

- El combustible es altamente inflamable y sus vapores pueden explotar si se encienden. Tome precauciones cuando lo use para reducir la posibilidad de lesiones personales graves.
- Cuando llene o drene el tanque de combustible, use un recipiente de almacenamiento de combustible aprobado mientras se encuentra en un área exterior limpia y bien ventilada.
- NO fume ni permita chispas, llamas abiertas u otras fuentes de ignición cerca del área mientras agrega combustible u opera la unidad. Nunca llene el tanque de combustible en interiores.
- Mantenga los objetos conductores conectados a tierra, como las herramientas, lejos de las piezas y conexiones eléctricas vivas y expuestas para evitar chispas o arcos eléctricos. Estos eventos podrían encender humos o vapores.
- Pare siempre el motor y deje que se enfríe antes de llenar el depósito de combustible. Nunca quite la tapa del tanque de combustible ni agregue combustible mientras el motor está funcionando o cuando el motor está caliente.
- NO opere la máquina con fugas conocidas en el sistema de combustible.
- Afloje la tapa del tanque de combustible lentamente para aliviar cualquier presión en el tanque.
- Nunca llene demasiado el tanque de combustible. Llene el tanque hasta máximo 12,5 mm (1/2") por debajo de la parte inferior del cuello de llenado para dejar espacio para la expansión, ya que el calor del motor puede hacer que el combustible se expanda.
- Vuelva a colocar todos los tanques de combustible y las tapas de los contenedores de forma segura y limpie el combustible derramado. Nunca opere la unidad sin la tapa de combustible bien colocada.

CONSEJOS DE SEGURIDAD

PRÁCTICAS DE TRABAJO SEGURO

- Evite crear una fuente de ignición para el combustible derramado. Si se derrama combustible, no intente arrancar el motor; aleje la máquina del área del derrame y evite crear cualquier fuente de ignición hasta que los vapores de combustible se hayan disipado.
- Almacenar el combustible en recipientes específicamente diseñados y homologados para este fin.
- Almacene el combustible en un área fresca y bien ventilada, lejos de chispas, llamas abiertas u otras fuentes de ignición.
- Nunca almacene combustible o una máquina con combustible en el tanque dentro de un edificio donde los vapores puedan alcanzar una chispa, una llama abierta u otras fuentes de ignición, como un calentador de agua, un horno, una secadora de ropa, etc. Deje que el motor se enfríe antes de guardarlo en cualquier lugar. Área cerrada.

Uso y cuidado de la máquina

- Coloque la máquina de manera que no pueda moverse durante el mantenimiento, la limpieza, el ajuste, el montaje de accesorios o repuestos, así como debajo del almacenamiento.
- NO fuerce la máquina. Utilice la máquina correcta para su aplicación. La máquina correcta hará el trabajo mejor y de forma más segura al ritmo para el que fue diseñada.
- NO cambie los ajustes del regulador del motor ni acelere demasiado el motor. El gobernador controla la máxima velocidad de operación segura del motor.
- NO haga funcionar el motor a alta velocidad cuando no esté trabajando.
- NO coloque las manos o los pies cerca de las piezas giratorias.
- Evite el contacto con combustible caliente, aceite, gases de escape y superficies calientes.
- NO toque el motor ni el escape. Estas partes se calientan mucho. Permanecen calientes durante un breve periodo de tiempo después de apagar la máquina. Deje que el motor se enfríe antes de realizar tareas de mantenimiento o ajustes.

CONSEJOS DE SEGURIDAD

PRÁCTICAS DE TRABAJO SEGURO

- Si la máquina comienza a hacer un ruido o vibración inusual, apague inmediatamente el motor, desconecte el cable de la bujía y verifique la causa. Los ruidos o vibraciones inusuales suelen ser una advertencia de problemas.
- Utilice únicamente aditamentos y accesorios aprobados por el fabricante. De no hacerlo puede resultar en lesiones personales.
- Mantenga la máquina. Compruebe si hay desalineación o atasco de piezas móviles, rotura de piezas y cualquier otra condición que pueda afectar el funcionamiento de la máquina. Si está dañada, haga reparar la máquina antes de usarla. Muchos accidentes son causados por equipos mal mantenidos.
- Mantenga el motor y el escape libres de hierba, hojas, exceso de grasa o acumulación de carbón para reducir la posibilidad de un peligro de incendio.
- Nunca rocíe o rocíe la unidad con agua o cualquier otro líquido. Mantenga los mangos secos y limpios y libre de escombros. Limpiar después de cada uso.
- Respete las leyes y normas de eliminación adecuadas de gasolina, aceite, etc. para proteger el medioambiente.
- Guarde la máquina fuera del alcance de los niños y no permita que la operen personas que no estén familiarizadas con la máquina o con estas instrucciones. La máquina es peligrosa en manos de usuarios no capacitados.

Servicio

- Antes de limpiar, reparar, inspeccionar o ajustar, apague el motor y asegúrese de que todas las piezas móviles se hayan detenido. Desconecte el cable de la bujía y manténgalo alejado de la bujía para evitar un arranque accidental.
- Haga que su máquina sea reparada por personal de reparación calificado usando solo piezas de repuesto idénticas. Esto garantizará que se mantenga la seguridad de la máquina.

CONSEJOS DE SEGURIDAD

PRÁCTICAS DE TRABAJO SEGURO

- Inspeccione minuciosamente el área a trabajar, mantenga el área de trabajo limpia y libre de escombros para evitar tropiezos. Opere en terreno plano y nivelado.
- NUNCA coloque ninguna parte de su cuerpo donde pueda estar en peligro si ocurriera un movimiento durante el montaje, instalación y operación, mantenimiento, reparación o movimiento.
- Mantenga a todos los transeúntes, niños y mascotas a una distancia mínima de 23 m (75 pies). Si usted ve que alguien se acerca, detenga la unidad inmediatamente.
- NO se suba a la caja de descarga y nunca lleve pasajeros.
- NUNCA estacione la máquina en terreno inestable que pueda ceder, particularmente cuando está lleno.
- Desengrane la palanca del embrague antes de arrancar el motor.
- Arranque el motor con cuidado de acuerdo con las instrucciones y con los pies bien alejados de las piezas móviles.
- NUNCA abandone el puesto de trabajo con el motor en marcha.
- Sostenga siempre la unidad con ambas manos cuando esté en funcionamiento. Mantenga un agarre firme en el bigote daliniano. Tenga en cuenta que la máquina puede rebotar inesperadamente hacia arriba o saltar hacia adelante si choca con obstáculos enterrados, como piedras grandes.
- NO sobrecargue la capacidad de la máquina.
- Conduzca a una velocidad segura, ajustando la velocidad a la pendiente del terreno, las condiciones de la superficie de la carretera y el peso de la carga.
- Tenga mucho cuidado al dar marcha atrás o tirar de la máquina hacia usted.

CONSEJOS DE SEGURIDAD

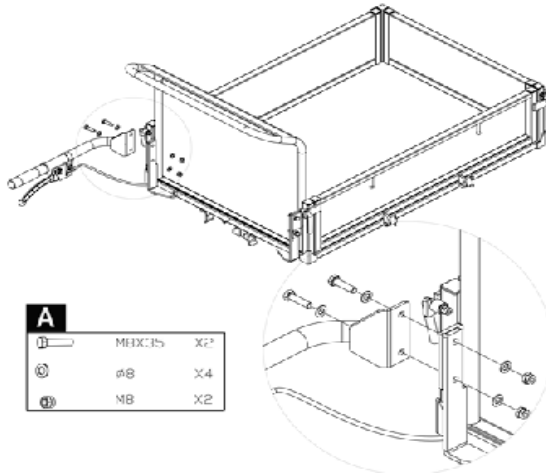
PRÁCTICAS DE TRABAJO SEGURO

- Tenga mucho cuidado cuando opere o cruce caminos, senderos o caminos de grava. Manténgase alerta a los peligros ocultos o al tráfico.
- En suelo blando, conduzca en la primera marcha de avance/retroceso.
- NO acelere rápidamente, ni gire bruscamente.
- Preste la máxima atención cuando trabaje en suelo congelado ya que la máquina puede tender a resbalar.
- Si es posible, evite conducir sobre lechos de guijarros, terrenos de piedra triturada, hormigón de acero, terrenos con tocones, troncos, etc., ya que dicha operación causa daños fatales o acorta la vida útil de las orugas.
- NO opere la máquina en áreas confinadas donde pueda haber riesgo de aplastamiento del operador entre la máquina y otro objeto.
- NUNCA opere la máquina en pendientes donde el ángulo sea superior a 20°.
- Cuando se mueva sobre una pendiente, ya sea hacia adelante o hacia atrás, siempre seguro de que el peso está equilibrado uniformemente. Muévase siempre en direcciones paralelas a la pendiente (hacia arriba o hacia abajo). Para evitar peligros, no cambie de marcha en pendientes.
- Al volcar la carga desde el volquete, el centro de gravedad cambiará continuamente y las condiciones del suelo serán esenciales para la estabilidad de la máquina. Existen peligros especiales para los volquetes que trabajan en suelo blando y cuando la carga está adherida a la carrocería, p.e. arcilla húmeda.

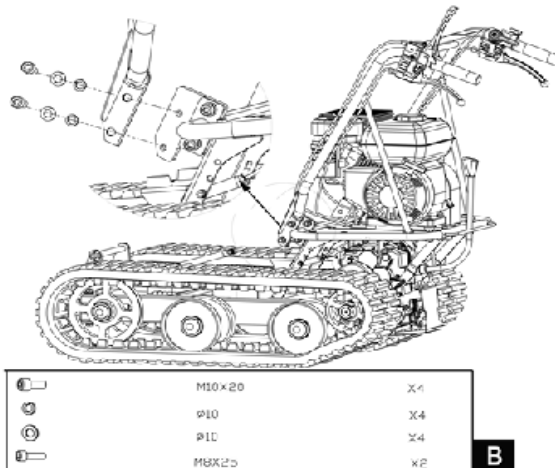
GUÍA DEL USUARIO

INSTRUCCIONES DE MONTAJE

- Monte la manija basculante en el lado derecho del panel. Alinee los orificios y sujete con dos pernos hexagonales M8x35, cuatro arandelas y dos tuercas.



- Alinee los orificios del manillar con el soporte de montaje y asegúrelos con una arandela elástica, una arandela plana y un perno M10x20. Fije cada soporte del manillar a la plataforma del motor con una arandela elástica, una arandela plana y un perno hexagonal M8x25.

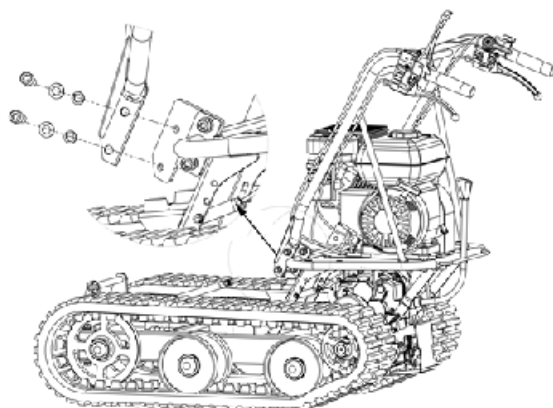


B

GUÍA DEL USUARIO

INSTRUCCIONES DE MONTAJE

- Coloque el panel inferior dentro del soporte de montaje. Alinee los orificios con el soporte de montaje. Inserte un pasador largo a través de los agujeros y asegure cada lado con una arandela plana y una chaveta.



	M10 x 20	x4
	φ10	x4
	φ10	x4
	M8 x 20	x2

B

Aceite de motor



¡ADVERTENCIA!

El aceite se ha drenado para el envío. Si no se llena el sumidero del motor con aceite antes de arrancar el motor, se producirán daños permanentes y se anulará la garantía del motor.

Agregue aceite de acuerdo con la sección del Manual del motor en la pág. 231.

GUÍA DEL USUARIO

INSTRUCCIONES DE OPERACIÓN

Motor de arranque

Puede encontrar una descripción más detallada del funcionamiento del motor y todas las precauciones y procedimientos relacionados en el Manual del motor a partir de la página 231 de este manual.

Siga el procedimiento a continuación para arranques en frío:

- Ponga la palanca de cambios en posición neutral
- Gire la palanca del estrangulador del motor a la posición de estrangulador total.
- Encienda el interruptor del motor.
- Tire de la cuerda de arranque lentamente varias veces para permitir que la gasolina fluya hacia el carburador del motor. Luego sostenga firmemente la manija de arranque y tire de la cuerda una corta distancia hasta que sienta cierta resistencia. Luego tire de la cuerda suave y rápidamente y permita que la cuerda regrese suavemente. No deje que la cuerda se rompa. Si es necesario, tire de la cuerda varias veces hasta que arranque el motor.
- Deje que el motor funcione durante varios segundos para que se caliente. Luego, mueva gradualmente la palanca del calzo a la posición "ABIERTA".



¡ADVERTENCIA!

Deje que el motor se caliente durante unos segundos antes de engranar una marcha.

Para volver a arrancar un motor que ya está caliente debido al funcionamiento anterior, normalmente no se requiere el uso del ésterter.

- Coloque la palanca del acelerador en el manillar en la posición intermedia.
- Sostenga firmemente la manija de arranque y tire de la cuerda una distancia corta hasta que sienta cierta resistencia. Luego tire de la cuerda suave y rápidamente y permita que la cuerda regrese suavemente. No deje que la cuerda se rompa. Si es necesario, tire de la cuerda varias veces hasta que arranque el motor.

GUÍA DEL USUARIO

INSTRUCCIONES DE OPERACIÓN

- Después de que el motor se haya calentado, apriete lentamente la palanca de control del embrague, luego engrane la marcha requerida, si la marcha no se engrana de inmediato, suelte lentamente la palanca del embrague y vuelva a intentarlo. De esta forma el mini transportador empezará a moverse.
- Tire de la palanca del acelerador para acelerar la velocidad del motor.
- El mini transportador tiene palancas de dirección en el manillar y esto hace que la dirección sea muy fácil. Para girar
 - a la derecha o a la izquierda, simplemente accione la palanca de dirección derecha o izquierda correspondiente.
- La sensibilidad de la dirección aumenta en proporción a la velocidad de la máquina y con la máquina vacía, una ligera presión en la palanca es todo lo que se necesita para girar. Mientras que cuando la máquina está cargada, se requiere más presión.
- El mini transportador tiene una capacidad máxima de 300 kg, sin embargo, es recomendable evaluar la carga y ajustarla de acuerdo con el terreno en el que se utilizará la máquina.
- Nunca cargue más de 300 kg
- Por lo tanto, es recomendable recorrer estos tramos con una marcha baja y extremando las precauciones. En tales situaciones, la máquina debe mantenerse en marcha baja durante todo el tramo.
- Evite giros bruscos y cambios frecuentes de dirección mientras conduce en la carretera, especialmente en terrenos irregulares y duros llenos de puntas afiladas, irregulares y con un alto grado de fricción.
- Aunque la unidad tenga orugas de goma, recuerde tener cuidado cuando trabaje en condiciones climáticas adversas (hielo, lluvia intensa y nieve) o en tipos de terreno que puedan desestabilizar el mini transportador.
- Tenga en cuenta que, como se trata de un vehículo sobre orugas, está sujeto a un movimiento de cabeceo considerable al pasar por baches, agujeros y escalones.
- Cuando se suelta la palanca de control del embrague, la máquina se detendrá y frenará automáticamente, la palanca del acelerador se desactivará.
- Si la máquina se detiene en una pendiente pronunciada, se debe colocar una cuña contra una de las orugas.

GUÍA DEL USUARIO

INSTRUCCIONES DE OPERACIÓN

Ralentí

Coloque la palanca de control del acelerador en su posición “LENTO” para reducir la tensión en el motor cuando no se esté trabajando. Bajar la velocidad del motor a ralentí ayudará a prolongar la vida útil del motor, así como a conservar combustible y reducir el nivel de ruido de la máquina

Parar el motor

Para detener el motor en caso de emergencia, suelte la palanca de control del embrague y luego gire el interruptor del motor a la posición “APAGADO”. En condiciones normales, utilice el siguiente procedimiento:

- Mueva la palanca del acelerador a la posición “LENTO”.
- Deje el motor al ralentí durante uno o dos minutos.
- Gire el interruptor del motor a la posición “APAGADO”.
- Gire la palanca de la válvula de combustible a la posición “APAGADO”.



¡ADVERTENCIA!

NO mueva el control del ésterter a CHOKE para detener el motor. Pueden producirse daños en el motor.

GUÍA DEL USUARIO

MANTENIMIENTO

El mantenimiento y lubricación adecuados ayudarán a que la máquina esté en perfectas condiciones de funcionamiento.

Mantenimiento preventivo

- Apague el motor y desconecte todas las palancas de control. El motor debe estar frío.
- Inspeccione el estado general de la unidad. Compruebe si hay tornillos flojos, desalineación o unión de piezas móviles, piezas rotas o agrietadas y cualquier otra condición que pueda afectar su funcionamiento seguro.
- Retire todos los desechos y otros materiales que puedan haberse acumulado en el riel y la unidad. Limpie después de cada uso. A continuación, utilice un aceite de máquina ligero de primera calidad para lubricar todas las piezas móviles.



¡ADVERTENCIA!

Nunca use una “máquina con agua a presión” para limpiar su unidad. El agua puede penetrar en áreas estrechas de la máquina y su caja de transmisión y causar daños a los husillos, engranajes, cojinetes o al motor. El uso de máquinas a presión acortará la vida útil y reducirá la capacidad de servicio.

Ajuste del embrague

Como el embrague se desgasta, la misma palanca podría tener una apertura más amplia, siendo tan incómoda de usar. Esto significa que es necesario ajustar el cable, colocando la palanca de embrague en su posición original actuando sobre el dispositivo de ajuste y sobre la contratuerca.

Ajuste de la dirección

Si tiene dificultades para dirigir la unidad, deberá ajustar las palancas de dirección con los ajustadores especiales. Afloje la contratuerca y desenrosque los ajustadores para eliminar el juego en el cable, que puede ocurrir después del uso inicial o el desgaste normal. Tenga mucho cuidado de no desatornillar demasiado los ajustadores porque esto puede crear otro problema: la pérdida de tracción. Recuerde apretar la contratuerca cuando haya terminado.

GUÍA DEL USUARIO

MANTENIMIENTO

Lubricación

La caja de cambios está prelubricada y sellada en fábrica.

Revise el nivel de aceite cada 50 horas de trabajo. Retire el tapón y compruebe, con la máquina en posición horizontal, que el aceite llegue a las dos muescas. Si es necesario, agregue el aceite.

Use grasa de litio #0 para herramientas portátiles como Lubriplate 630AA, Lubriplate GR-132 o Multifak, por ejemplo, EP-O.

El aceite debe reemplazarse cuando está caliente desenroscando un tapón de llenado y un tapón equipado con una varilla de nivel de aceite. Cuando el aceite esté completamente drenado, vuelva a colocar la tapa de llenado y llene con aceite nuevo.

Pistas de apriete

Con el uso, las orugas tienden a aflojarse. Cuando se opera con pistas sueltas, tienden a resbalar sobre la rueda motriz provocando que esta salte de su alojamiento o que trabaje en situación precaria, dañando así el desgaste del alojamiento.

Para verificar la estanqueidad de la pista, proceda de la siguiente manera.

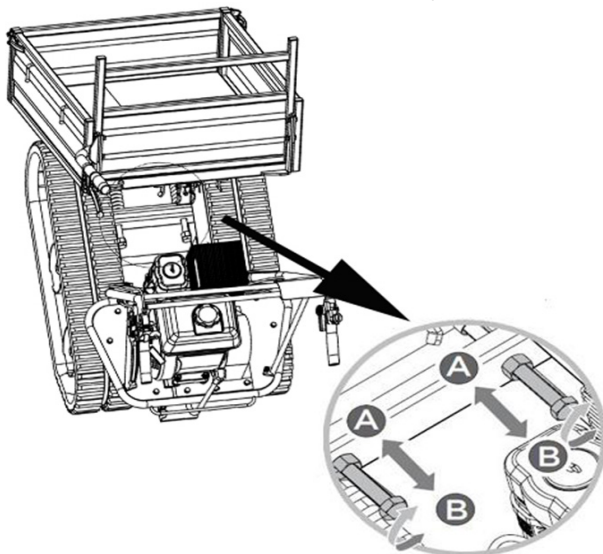
- Coloque la máquina sobre una superficie plana con suelo compacto, mejor sobre asfalto o piedra pavimento.
- Levante la máquina y colóquela sobre bloques o soportes clasificados para el peso de la máquina de modo que las orugas queden aproximadamente a 100 mm del suelo.
- Mida la línea media de la pista frente a la línea horizontal. La lectura no debe ser mayor a 10-15 mm.

GUÍA DEL USUARIO

MANTENIMIENTO

Si la distancia es mayor, proceda de la siguiente manera.

- Utilice la manija basculante para inclinar la caja de descarga y colóquela sobre bloques o soportes clasificados para el peso de la caja.



- Afloje la contratuerca 'A'.
- Apriete el tornillo 'B' hasta que se restablezca el apriete correcto.
- Asegure el perno 'B' apretando completamente la contratuerca 'A'.
- Regrese la caja de descarga a su posición original.



¡ADVERTENCIA!

El ajuste de la oruga y los frenos están vinculados, por lo tanto, tenga mucho cuidado porque si la oruga está demasiado apretada, se perderá el efecto de frenado.



¡ADVERTENCIA!

Si al perno de ajuste no le queda más ajuste, es posible que se deban reemplazar las orugas.

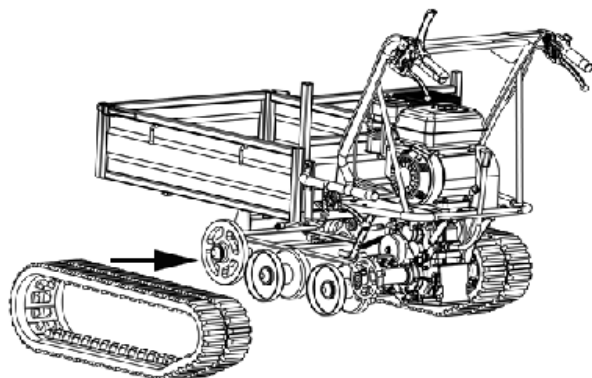
GUÍA DEL USUARIO

MANTENIMIENTO

Sustitución de pistas

Compruebe periódicamente el estado de las orugas. Si una oruga está agrietada o deshilachada, debe reemplazarse tan pronto como sea conveniente.

- Afloje la Contratuerca 'A' y el perno 'B' que se muestran en 'Apriete de las orugas' para aflojar las orugas



- Deslice las viejas pistas e instale las nuevas orugas
- Ajuste el perno 'B' para asegurar el apriete correcto
- Asegure el perno 'B' apretando bien la contratuerca 'A'



¡ADVERTENCIA!

Al quitar o instalar las orugas, tenga cuidado de no atrapar los dedos entre la pista y la polea.

GUÍA DEL USUARIO

MANTENIMIENTO

Mantenimiento del motor

Consulte el Manual del motor incluido en este manual para obtener información sobre el mantenimiento del motor. La sección del manual del motor proporciona información detallada y un programa de mantenimiento para realizar las tareas. Si el mini transportador no se utilizará durante un período superior a 30 días, siga los pasos a continuación para preparar su unidad para el almacenamiento.

- Drene completamente el tanque de combustible. El combustible almacenado que contiene etanol o MTBE puede comenzar a agotarse en 30 días. El combustible rancio tiene un alto contenido de goma y puede obstruir el carburador y restringir el flujo de combustible.
- Arranque el motor y déjelo funcionar hasta que se detenga. Esto asegura que no quede combustible en el carburador. Haga funcionar el motor hasta que se detenga. Esto ayuda a evitar que se formen depósitos de goma dentro del carburador y posibles daños al motor.
- Mientras el motor aún está caliente, drene el aceite del motor. Vuelva a llenar con aceite nuevo del grado recomendado en la pág. 233.
- Utilice paños limpios para limpiar el exterior de la máquina y mantener libres las rejillas de ventilación. de obstrucciones.



¡ADVERTENCIA!

NO use detergentes fuertes o limpiadores a base de petróleo cuando limpie piezas de plástico. Los productos químicos pueden dañar los plásticos.

- Inspeccione en busca de piezas sueltas o dañadas. Repare o reemplace las piezas dañadas y apriete los tornillos, tuercas o pernos flojos.
- Guarde su unidad en terreno plano en un edificio limpio y seco que tenga buena ventilación.

SOLUCIÓN DE PROBLEMAS

GUÍA DE RESOLUCIÓN

¿QUÉ HAGO SI FALTAN PIEZAS DE MI PEDIDO?

Si parece que falta alguna pieza en su pedido, comuníquese con nuestro equipo de Atención al Cliente dentro de los 7 días posteriores a la recepción.

Problema	Causa	Posible solución
El motor no arranca	<ol style="list-style-type: none"> 1. Cable de bujía desconectado 2. Sin combustible. 3. El ésterter no está en posición abierta 4. Línea de combustible bloqueada. 5. Bujía sucia 6. Inundación del motor. 	<ol style="list-style-type: none"> 1. Conecte el cable de la bujía de forma segura a la bujía. 2. Llene con gasolina nueva y limpia. 3. El acelerador debe colocarse en el ésterter para un arranque en frío. 4. Limpie la línea de combustible. 5. Limpie, ajuste el espacio o reemplace. 6. Espere unos minutos para reiniciar.
El motor funciona de forma errática.	<ol style="list-style-type: none"> 1. Cable de bujía suelto. 2. Unidad funcionando en CHOKE. 3. Tubería de combustible obstruida o combustible viciado. 4. Ventilación obstruida. 5. Agua o suciedad en el sistema de combustible. 6. Filtro de aire sucio. 7. Ajuste inadecuado del carburador. 	<ol style="list-style-type: none"> 1. Conecte y apriete el cable de la bujía. 2. Mueva la palanca del estrangulador a "APAGADO". 3. Limpie la línea de combustible. Llene el tanque con gasolina nueva y limpia 4. Limpiar la ventilación. 5. Drene el tanque de combustible. Vuelva a llenar con combustible nuevo. 6. Limpie o reemplace el filtro de aire. 7. Consulte el Manual del motor.

SOLUCIÓN DE PROBLEMAS

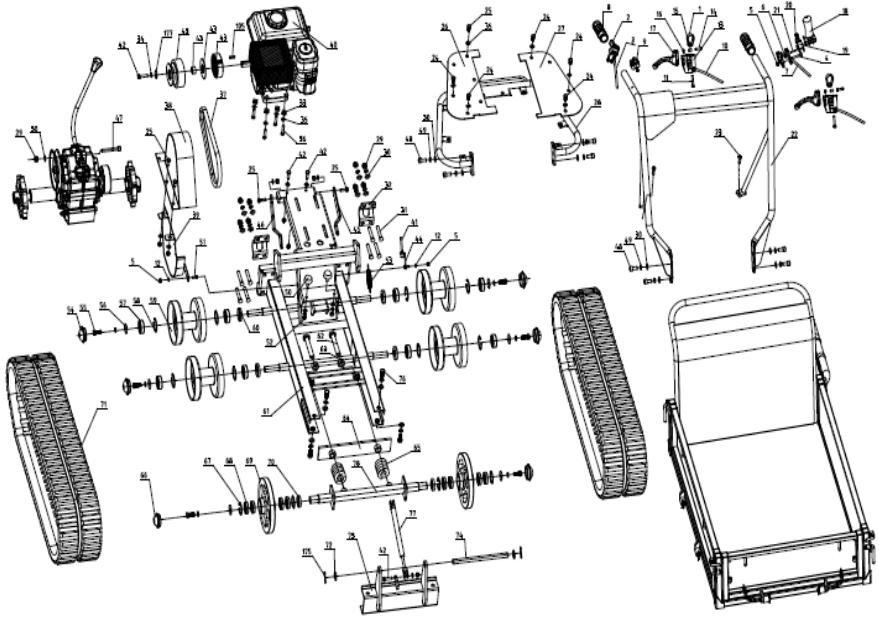
GUÍA DE RESOLUCIÓN

Problema	Causa	Posible solución
El motor se sobrecalienta	<ol style="list-style-type: none">1. Bajo nivel de aceite del motor.2. Filtro de aire sucio.3. Flujo de aire restringido.4. Carburador mal ajustado.	<ol style="list-style-type: none">1. Llene el cárter con aceite adecuado.2. Limpie el filtro de aire.3. Retire la carcasa y límpiela.4. Consulte el Manual del motor en la página 220.
Una de las dos pistas está bloqueada	Los cuerpos extraños se han abierto camino entre la pista y el marco.	Retire el cuerpo extraño.
La máquina no se mueve mientras el motor está funcionando.	<ol style="list-style-type: none">1. La marcha no está seleccionada correctamente.2. Las pistas de conducción no son lo suficientemente estrechas.	<ol style="list-style-type: none">1. Asegúrese de que la palanca de cambios no esté entre dos marchas diferentes.2. Apriete las pistas de conducción

PARA TODOS LOS DEMÁS PROBLEMAS, CONTACTE CON NUESTRO EQUIPO DE ATENCIÓN AL CLIENTE.

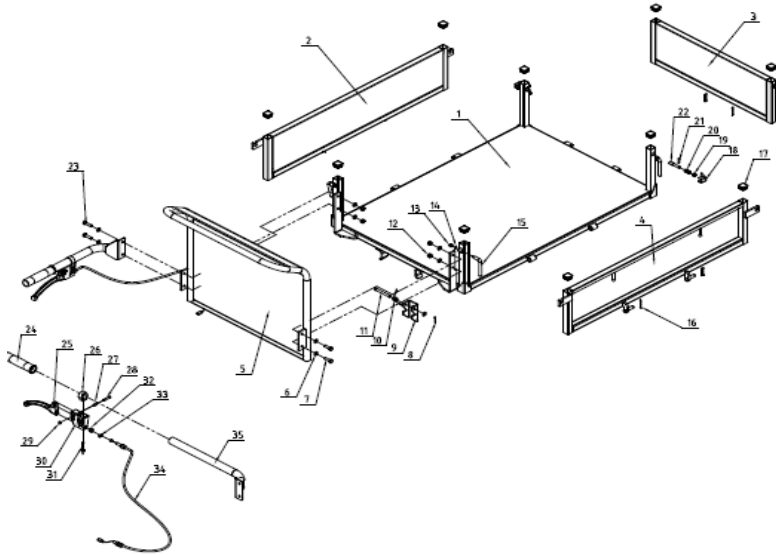
DESGLOSE DE PIEZAS

PIEZAS DEL TRANSPORTADOR

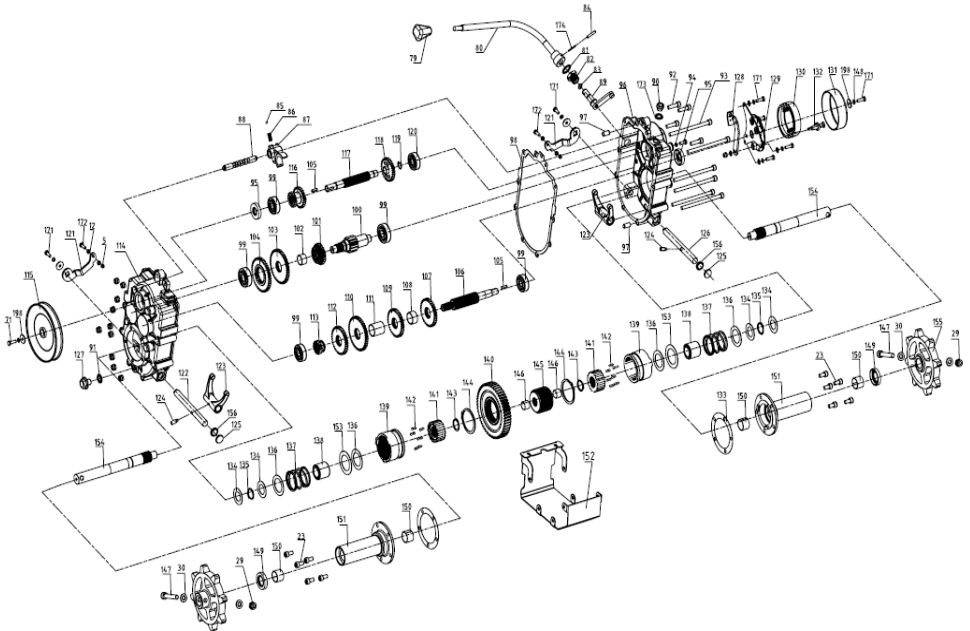


DESGLOSE DE PIEZAS

CAJA DE DESCARGA



CAJA DE ENGRANAJES



GUÍA DEL USUARIO

MANUAL DEL MOTOR

SEGURIDAD DEL MOTOR

INFORMACION DE SEGURIDAD IMPORTANTE

La mayoría de los accidentes con motores se pueden prevenir si sigue todas las instrucciones de este manual y del motor. A continuación, se analizan algunos de los peligros más comunes, junto con la mejor manera de tomar precaución para sí mismo y para los demás.

RESPONSABILIDADES DEL PROPIETARIO

Los motores están diseñados para brindar un servicio seguro y confiable si se operan de acuerdo con las instrucciones. Lea y comprenda este manual del propietario antes de operar el motor. El no hacerlo podría resultar en lesiones personales o daños al producto.

Sepa cómo parar el motor rápidamente y comprenda el funcionamiento de todos los controles.

NUNCA permita que nadie opere el motor sin las instrucciones adecuadas.

NO permita que los niños operen el motor. Mantenga a los niños y las mascotas alejados del área de operación.

REPOSTAJE CON CUIDADO

La gasolina es extremadamente inflamable y los vapores de gasolina pueden explotar. Reposte al aire libre, en un área bien ventilada, con el motor parado.

NUNCA fume cerca de la gasolina y mantenga alejadas otras llamas y chispas. Guarde siempre la gasolina en un recipiente homologado. Si se derrama combustible, asegúrese de que el área esté seca antes de arrancar el motor.

PELIGRO DE MONÓXIDO DE CARBONO

Los gases de escape contienen monóxido de carbono venenoso. Evite la inhalación de gases de escape.

NUNCA haga funcionar el motor en un garaje cerrado o en un área cerrada.

GUÍA DEL USUARIO

MANUAL DEL MOTOR

ESCAPE CALIENTE

El escape se calienta mucho durante el funcionamiento y permanece caliente durante un tiempo después de parar el motor. Tenga cuidado de no tocar el escape mientras esté caliente. Deje que el motor se enfríe antes de guardarlo en el interior.

Para evitar riesgos de incendio y proporcionar una ventilación adecuada para las aplicaciones de equipos estacionarios, mantenga el motor a una distancia mínima de 3 pies (1 metro) de las paredes del edificio y otros equipos durante el funcionamiento. NO coloque objetos inflamables cerca del motor.

OTRO EQUIPO

Revise las instrucciones provistas con el equipo accionado por este motor para conocer las precauciones de seguridad adicionales que deben observarse junto con el arranque, el apagado y el funcionamiento del motor o la vestimenta de protección que pueda ser necesaria para operar el equipo.

CAPACIDADES DEL MOTOR

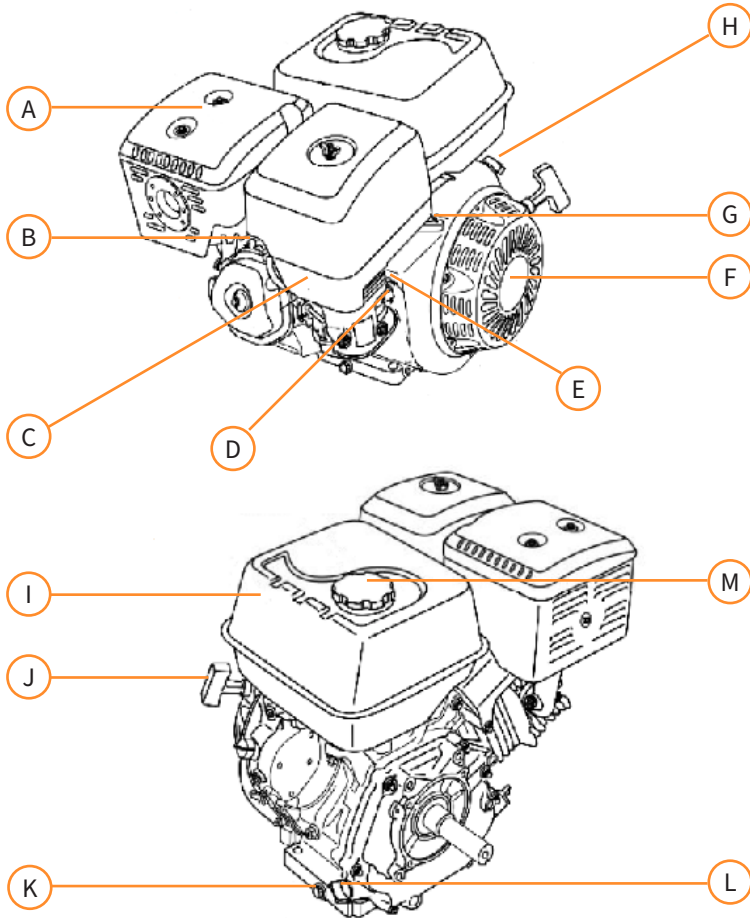
Capacidad del tanque de combustible G200F	3,8 litros
Capacidad de aceite	0,6 litros
Aceite de motor	10W-30

COMPONENTES Y UBICACIONES DE CONTROL

- | | |
|-----------------------------|--|
| A. ESCAPE | I. TANQUE DE COMBUSTIBLE |
| B. BUJÍA | J. EMPUÑADURA DE ARRANQUE |
| C. FILTRO DE AIRE | K. TAPÓN DE DRENAJE DE ACEITE |
| D. VÁLVULA DE COMBUSTIBLE | L. TAPA DEL FILTRO DE ACEITE / VARILLA |
| E. ÉSTARTER | M. TAPA DEL DEPÓSITO DE COMBUSTIBLE |
| F. ARRANCADOR DE RETROCESO | |
| G. VALVULA REGULADORA | |
| H. INTERRUPTOR DE ENCENDIDO | |

GUÍA DEL USUARIO

MANUAL DEL MOTOR



GUÍA DEL USUARIO

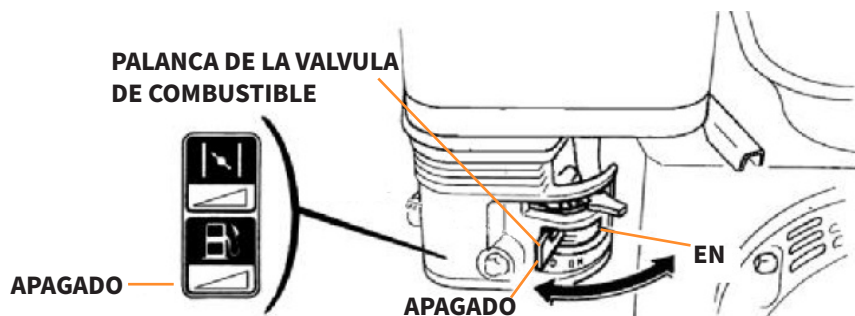
MANUAL DEL MOTOR

CONTROLES

PALANCA DE LA VÁLVULA DE COMBUSTIBLE

La válvula de combustible abre y cierra el paso entre el tanque de combustible y el carburador. La palanca de la válvula de combustible debe estar en la posición ON para que el motor funcione.

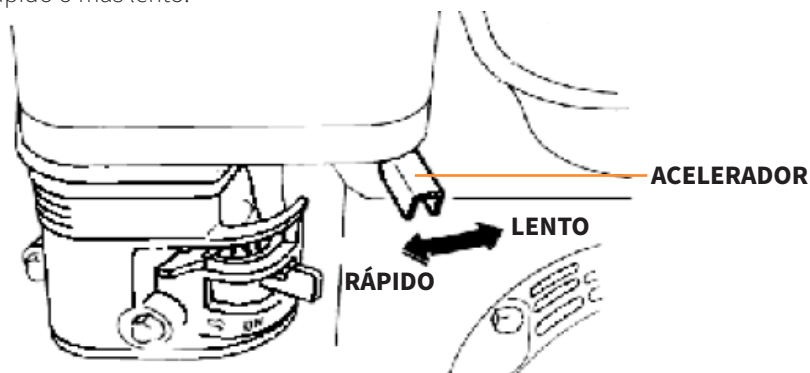
Cuando el motor no esté en uso, deje la palanca de la válvula de combustible en la posición de APAGADO para evitar que se inunde el carburador y reducir la posibilidad de fugas de combustible.



PALANCA DEL ACELERADOR

La palanca del acelerador controla la velocidad del ACELERADOR del motor.

Mover la palanca del acelerador en las direcciones que se muestran hace que el motor funcione más rápido o más lento.



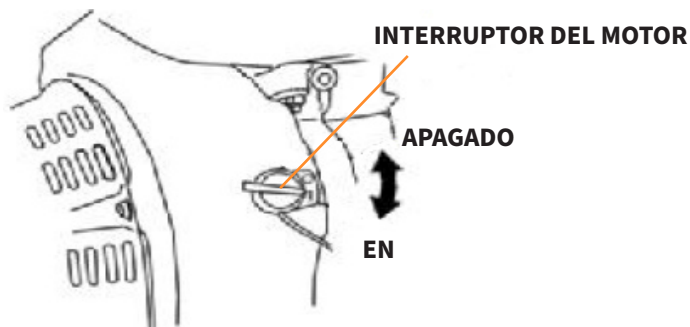
GUÍA DEL USUARIO

MANUAL DEL MOTOR

INTERRUPTOR DEL MOTOR

El interruptor del motor activa y desactiva el sistema de encendido.

El interruptor del motor debe estar en la posición ON para que el motor funcione. Al girar el interruptor del motor a la posición de OFF, se detiene el motor.

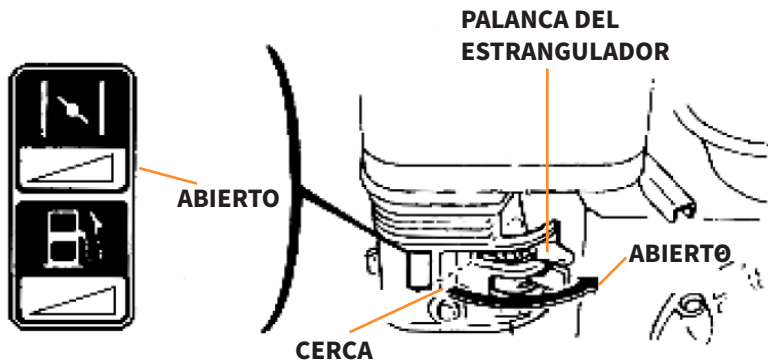


PALANCA DEL ÉSTARTER

La palanca del éstarter abre y cierra la válvula del estrangulador en el carburador. La posición CLOSE enriquece la mezcla de combustible para arrancar un motor frío.

La posición OPEN proporciona la mezcla de combustible correcta para la operación después de arrancar y para reiniciar un motor caliente.

Algunas aplicaciones de motor utilizan un control de éstarter montado de forma remota en lugar de la palanca de éstarter montada en el motor que se muestra aquí.

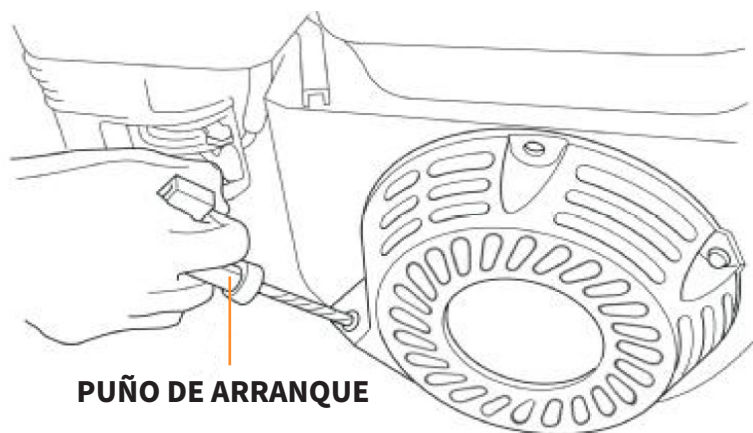


GUÍA DEL USUARIO

MANUAL DEL MOTOR

PUÑO DE ARRANQUE DE RETROCESO

Al tirar de la empuñadura del arrancador, se acciona el arrancador de retroceso para arrancar el motor.



COMPROBAR ANTES DE LA OPERACIÓN

¿ESTÁ SU MOTOR LISTO PARA FUNCIONAR?

Por su seguridad y para maximizar la vida útil de su equipo, es muy importante tomarse unos momentos antes de operar el motor para verificar su condición. Asegúrese de resolver cualquier problema que encuentre o de hacer que su distribuidor de servicio lo corrija antes de operar el motor.

¡ADVERTENCIA!



El mantenimiento inadecuado de este motor, o no corregir un problema antes de la operación, podría causar un mal funcionamiento en el que podría sufrir lesiones graves. Realice siempre una inspección previa a la operación antes de cada operación y corrija cualquier problema.

Antes de comenzar las revisiones previas a la operación, asegúrese de que el motor esté nivelado y que el interruptor del motor esté en la posición APAGADO.

GUÍA DEL USUARIO

MANUAL DEL MOTOR

COMPROBAR EL ESTADO GENERAL DEL MOTOR

- Mire alrededor y debajo del motor en busca de señales de fugas de aceite o gasolina.
- Elimine cualquier exceso de suciedad o residuos, especialmente alrededor del escape y el arrancador de retroceso.
- Busque signos de daño.
- Verifique que todos los protectores y cubiertas estén en su lugar, y que todas las tuercas, pernos y tornillos estén apretados.

COMPROBAR EL MOTOR

- Comprueba el nivel de aceite del motor. Hacer funcionar el motor con un nivel de aceite bajo puede hacer que el motor se dañe.
- El sistema 'Oil Alert' (tipos de motor aplicables) detendrá automáticamente el motor antes de que el nivel de aceite caiga por debajo de los límites seguros. Sin embargo, para evitar el inconveniente de un apagado inesperado, siempre verifique el nivel de aceite del motor antes de arrancar.
- Revise el filtro de aire: un filtro de aire sucio restringirá el flujo de aire al carburador, reduciendo el rendimiento del motor.
- Compruebe el nivel de combustible. Comenzar con un tanque lleno ayudará a eliminar o reducir las interrupciones para el reabastecimiento de combustible.

COMPRUEBE LOS EQUIPOS ALIMENTADOS POR ESTE MOTOR

- Revise las instrucciones provistas con el equipo accionado por este motor para conocer las precauciones y los procedimientos que deben seguirse antes de arrancar el motor.

GUÍA DEL USUARIO

MANUAL DEL MOTOR

PRECAUCIONES PARA UN FUNCIONAMIENTO SEGURO

Antes de operar el motor por primera vez, revise la INFORMACIÓN IMPORTANTE DE SEGURIDAD y el capítulo titulado ANTES DE LA OPERACIÓN.



¡ADVERTENCIA!

El gas monóxido de carbono es tóxico. Respirarlo puede causar pérdida del conocimiento e incluso la muerte. Evite cualquier área o acción que lo exponga al monóxido de carbono.

Revise las instrucciones proporcionadas para conocer las precauciones de seguridad que deben observarse junto con el arranque, apagado o funcionamiento del motor.

ARRANQUE DEL MOTOR

- Mueva la palanca de la válvula de combustible a la posición ON.
- Para arrancar un motor frío, mueva la palanca del ésterter a la posición CLOSE. Para volver a arrancar un motor caliente, deje la palanca del ésterter en la posición OPEN.
- Aleje la palanca del acelerador de la posición LENTO, aproximadamente 1/3 del camino hacia la Posición RÁPIDA.
- Gire el interruptor del motor a la posición ON.
- Tire ligeramente de la empuñadura de arranque hasta que sienta resistencia y, a continuación, tire con fuerza. Vuelva a colocar la empuñadura de arranque suavemente.
- Si la palanca del ésterter se ha movido a la posición CLOSE para arrancar el motor, muévela gradualmente a la posición OPEN a medida que el motor se calienta.

GUÍA DEL USUARIO

MANUAL DEL MOTOR

PARADA DEL MOTOR

Para detener el motor en caso de emergencia, simplemente gire el interruptor del motor a la posición OFF. En condiciones normales, utilice el siguiente procedimiento.

- Mueva la palanca del acelerador a la posición LENTO.
- Gire el interruptor del motor a la posición OFF.
- Gire la palanca de la válvula de combustible a la posición de OFF.

AJUSTE DE LA VELOCIDAD DEL MOTOR

- Coloque la palanca del acelerador para la velocidad deseada del motor.
- Algunas aplicaciones de motor utilizan un control de aceleración montado de forma remota. Aquí se muestra la palanca del acelerador montada en el motor.
- Para recomendaciones de velocidad del motor, consulte las instrucciones provistas con el equipo accionado por este motor.

GUÍA DEL USUARIO

MANTENIMIENTO DEL MOTOR

MANTENIMIENTO

Un buen mantenimiento es esencial para un funcionamiento seguro, económico y sin problemas. También ayudará a reducir la contaminación del aire.



¡ADVERTENCIA!

Si no sigue correctamente las instrucciones y precauciones de mantenimiento, puede sufrir lesiones graves o la muerte. Siga siempre los procedimientos y precauciones del manual.

Para ayudarlo a cuidar adecuadamente su motor, las siguientes páginas incluyen un programa de mantenimiento, procedimientos de inspección de rutina y procedimientos de mantenimiento simples utilizando herramientas manuales básicas.

Otras tareas de servicio que son más difíciles o que requieren herramientas especiales, las realizan mejor los profesionales y normalmente las realiza un técnico u otro mecánico calificado.

El programa de mantenimiento se aplica a las condiciones normales de funcionamiento. Si opera su motor en condiciones inusuales, como una operación sostenida de carga alta o temperatura alta, o lo usa en condiciones inusualmente húmedas o polvorientas, consulte a su distribuidor para obtener recomendaciones aplicables a sus necesidades y uso individuales.

PRECAUCIONES DE SEGURIDAD

Asegúrese de que el motor esté apagado antes de comenzar cualquier mantenimiento o reparación. Esto eliminará varios peligros potenciales:

- Envenenamiento por monóxido de carbono del escape del motor. Asegúrese de que haya ventilación adecuada cada vez que opere el motor.
- Quemaduras por partes calientes. Deje que el motor y el sistema de escape se enfríen antes de tocarlos.
- Lesiones por piezas móviles. NO haga funcionar el motor a menos que se le indique.

GUÍA DEL USUARIO

MANTENIMIENTO DEL MOTOR

Lea las instrucciones antes de comenzar y asegúrese de tener las herramientas necesarias.

Para reducir la posibilidad de incendio o explosión, tenga cuidado cuando trabaje cerca de gasolina. Utilice únicamente un disolvente no inflamable, no gasolina, para limpiar las piezas. Mantenga los cigarrillos, las chispas y las llamas alejados de todas las piezas relacionadas con el combustible.

Para garantizar la mejor calidad y confiabilidad, use solo piezas nuevas y originales o sus equivalentes para la reparación y el reemplazo.

PROGRAMA DE MANTENIMIENTO

TIEMPO DE SERVICIO REGULAR Realizado mensualmente o en las horas especificadas de operación, lo que ocurra primero		Cada usar	Primer mes o 20 Hrs	Cada 3 meses o 50 Hrs	Cada 6 meses o 100 Hrs	Cada año o 300 Hrs
Aceite de motor	Comprobar nivel	○				
	Cambiar		○		○	
Filtro de aire	Controlar	○				
	Limpio			○(1)		
	Reemplazar					○ ☆
Copa de sedimentos	Limpio				○	
Bujía	Comprobar-Limpiar				○	
	Reemplazar					○
Ralentí	Limpio					○(2)
Juego de válvulas	Comprobar-Ajustar					○(2)
Tanque de combustible y colador	Limpio					○(2)
Cámara de combustión	Limpio	Después de cada 300 Hrs (2)				
Línea de combustible	Controlar	Cada 2 años (reemplace según sea necesario) (2)				

GUÍA DEL USUARIO

MANTENIMIENTO DEL MOTOR

☆ Reemplace solo el tipo de elemento de papel.

- (1) Realice el mantenimiento con más frecuencia cuando se utilice en áreas polvorientas.
- (2) Estos elementos deben ser reparados por su distribuidor de servicio, a menos que tenga las herramientas adecuadas y tenga conocimientos mecánicos. Consulte el manual para conocer los procedimientos de servicio.

GUÍA DEL USUARIO

MANTENIMIENTO DEL MOTOR

REPOSTAJE

Capacidad del depósito de combustible G200F: 3,8 litros

Con el motor parado, retire la tapa del tanque de combustible y verifique el nivel de combustible. Vuelva a llenar el tanque si el nivel de combustible es bajo.

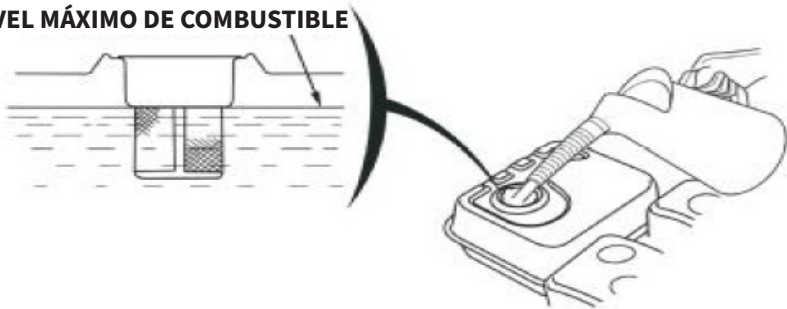
¡ADVERTENCIA!



La gasolina es altamente inflamable y explosiva. Puede sufrir quemaduras o lesiones graves al manipular combustible.

- Detenga el motor y mantenga alejados el calor, las chispas y las llamas.
- Manipule el combustible únicamente al aire libre.
- Limpie los derrames inmediatamente.

NIVEL MÁXIMO DE COMBUSTIBLE



Recargue combustible en un área bien ventilada antes de arrancar el motor. Si el motor ha estado funcionando, deje que se enfríe. Reposte con cuidado para evitar derramar combustible. No llene por encima del hombro del colador de combustible. Después de repostar, apriete bien el tapón del depósito de combustible.

NUNCA reposte el motor dentro de un edificio donde los vapores de gasolina puedan alcanzar llamas o chispas. Mantenga la gasolina alejada de los pilotos de los aparatos, barbacoas, aparatos eléctricos, herramientas eléctricas, etc.

El combustible derramado no solo es un riesgo de incendio, sino que también causa daños ambientales. Limpie los derrames inmediatamente.

GUÍA DEL USUARIO

MANTENIMIENTO DEL MOTOR

RECOMENDACIONES DE COMBUSTIBLE

Use gasolina sin plomo con una clasificación de bomba E10.

Estos motores están certificados para funcionar con gasolina sin plomo. La gasolina sin plomo produce menos depósitos en el motor y en las bujías y prolonga la vida útil del sistema de escape.

NUNCA use gasolina rancia o contaminada o una mezcla de aceite y gasolina. Evite que entre suciedad o agua en el depósito de combustible.

Ocasionalmente, puede escuchar un ligero “golpe de chispa” o ‘ruido de golpeteo metálico’ mientras opera con cargas pesadas. Esto no es motivo de preocupación.

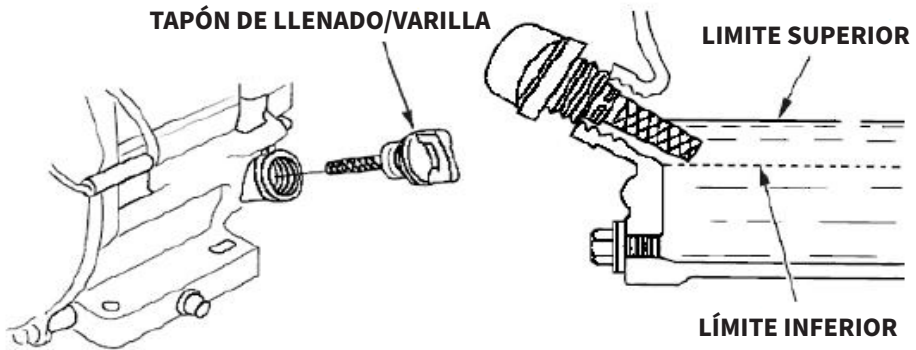
Si se producen detonaciones o pitidos a una velocidad constante del motor, bajo carga normal, cambie de marca de gasolina. Si persisten los golpes de chispa o los pitidos, consulte a un distribuidor de servicio autorizado.

GUÍA DEL USUARIO

MANTENIMIENTO DEL MOTOR

COMPROBACIÓN DEL NIVEL DE ACEITE DEL MOTOR

- Verifique el nivel de aceite del motor con el motor parado y en una posición nivelada.
- Retire el tapón de llenado/varilla y límpielo.



- Inserte y retire la varilla medidora sin enroscarla en el cuello de llenado. Verifique el nivel de aceite que se muestra en la varilla medidora.
- Si el nivel de aceite es bajo, llene hasta el borde del orificio de llenado de aceite con el aceite recomendado.
- Atornille firmemente el tapón de llenado/varilla.

Hacer funcionar el motor con un nivel de aceite bajo puede causar daños al motor.

GUÍA DEL USUARIO

MANTENIMIENTO DEL MOTOR

CAMBIO DE ACEITE DE MOTOR

Drene el aceite usado mientras el motor está caliente. El aceite tibio se drena rápida y completamente.

- Coloque un recipiente adecuado debajo del motor para recoger el aceite usado y luego retire la tapa de llenado/varilla y el tapón de drenaje.
- Permita que el aceite usado se drene por completo y luego vuelva a instalar el tapón de drenaje y apriételo de forma segura.

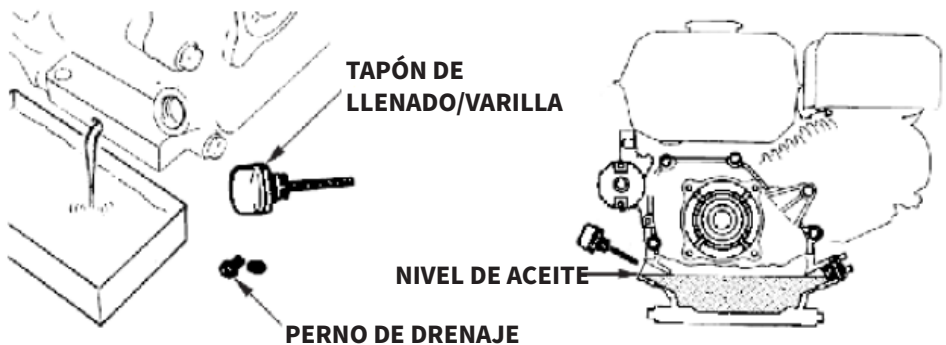
Deseche el aceite de motor usado de una manera que sea compatible con el medio ambiente. Le sugerimos que lleve el aceite usado en un recipiente sellado a su centro de reciclaje local. NO lo tire a la basura, no lo vierta en el suelo o por un desagüe.

- Con el motor en una posición nivelada, llene hasta el borde exterior del orificio de llenado de aceite con el aceite recomendado.
- Atornille firmemente el tapón de llenado/varilla.

Hacer funcionar el motor con un nivel de aceite bajo puede causar daños al motor.

El sistema 'Oil Alert' (tipos de motor aplicables) detendrá automáticamente el motor antes de que el nivel de aceite caiga por debajo del límite seguro.

Sin embargo, para evitar el inconveniente de un apagado inesperado, llene hasta el límite superior y verifique el nivel de aceite con regularidad.



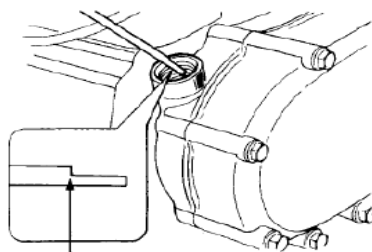
GUÍA DEL USUARIO

MANTENIMIENTO DEL MOTOR

ACEITE PARA ENGRANAJES DE REDUCCIÓN

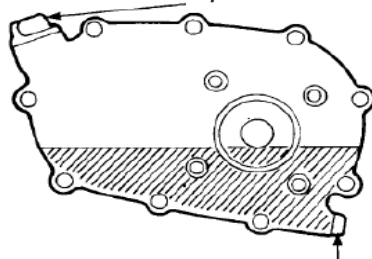
- Retire el tapón de llenado de aceite y limpie la varilla medidora.
- Inserte la varilla medidora en el cuello de llenado pero no la atornille.
- Si el nivel es bajo, llene hasta la marca de nivel superior con el mismo aceite recomendado para el motor.

Capacidad de aceite de G200 - B: 500 cc



NIVEL SUPERIOR

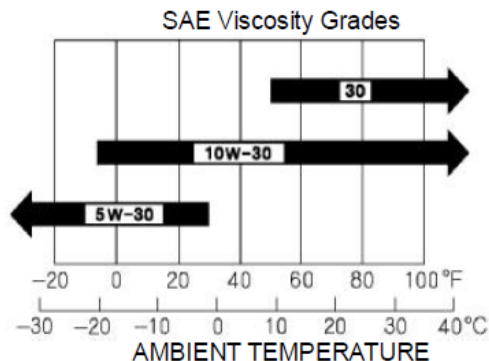
VARILLA DE NIVEL/TAPÓN DE LLENADO



PERNO DE DRENAJE

RECOMENDACIONES DE ACEITE DE MOTOR

El aceite es un factor importante que afecta el rendimiento y la vida útil. Utilice aceite detergente para automóviles de 4 tiempos. Se recomienda SAE 10W-30 para uso general. Se pueden usar otras viscosidades que se muestran en la tabla cuando la temperatura promedio en su área está dentro del rango recomendado.



GUÍA DEL USUARIO

MANTENIMIENTO DEL MOTOR

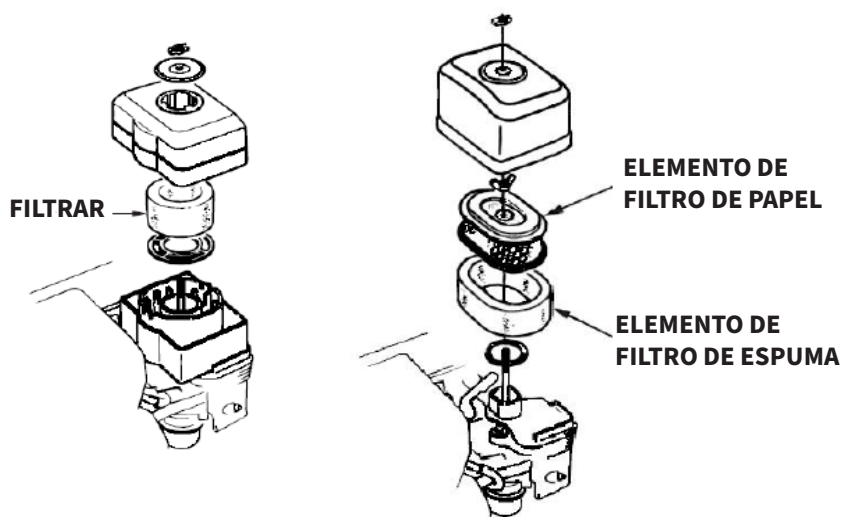
INSPECCIÓN DEL FILTRO DE AIRE

Retire la cubierta del filtro de aire e inspeccione el filtro.

Limpie o reemplace los elementos del filtro sucios.

Siempre reemplace los elementos de filtro dañados.

Si está equipado con un filtro de aire en baño de aceite, verifique también el nivel de aceite.



INSPECCIÓN DEL FILTRO DE AIRE

Un filtro de aire sucio restringirá el flujo de aire al carburador, lo que reducirá el rendimiento del motor y puede provocar un rápido desgaste y daño en el motor.

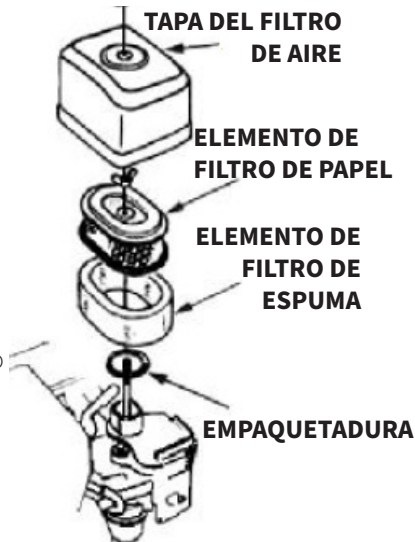
Si opera el motor en áreas muy polvorrientas, limpie el filtro de aire con más frecuencia que la especificada en el PROGRAMA DE MANTENIMIENTO.

GUÍA DEL USUARIO

MANTENIMIENTO DEL MOTOR

TIPOS DE ELEMENTOS DE FILTRO DOBLE

- Retire la tuerca de mariposa de la cubierta del filtro de aire y retire la cubierta del filtro de aire.
- Retire la tuerca de mariposa del filtro de aire y retire el filtro.
- Retire el filtro de espuma del filtro de papel.
- Inspeccione ambos elementos del filtro de aire y reemplácelos si están dañados. Siempre reemplace el elemento del filtro de aire de papel en el intervalo programado.
- Limpie los elementos del filtro de aire si se van a reutilizar.



Elemento del filtro de aire de papel: Golpee el elemento del filtro varias veces sobre una superficie dura para eliminar la suciedad o sople aire comprimido [sin exceder 30 psi (207 kPa)] a través del elemento del filtro desde el interior. Nunca intente cepillar la suciedad, el cepillado forzará la entrada de suciedad en las fibras.

Elemento del filtro de aire de espuma: Limpie con agua jabonosa tibia, enjuague y deje secar completamente. O limpie con disolvente no inflamable y deje secar. Sumerja el elemento del filtro en aceite de motor limpio y luego exprima todo el exceso de aceite. El motor echará humo al arrancar si queda demasiado aceite en la espuma.

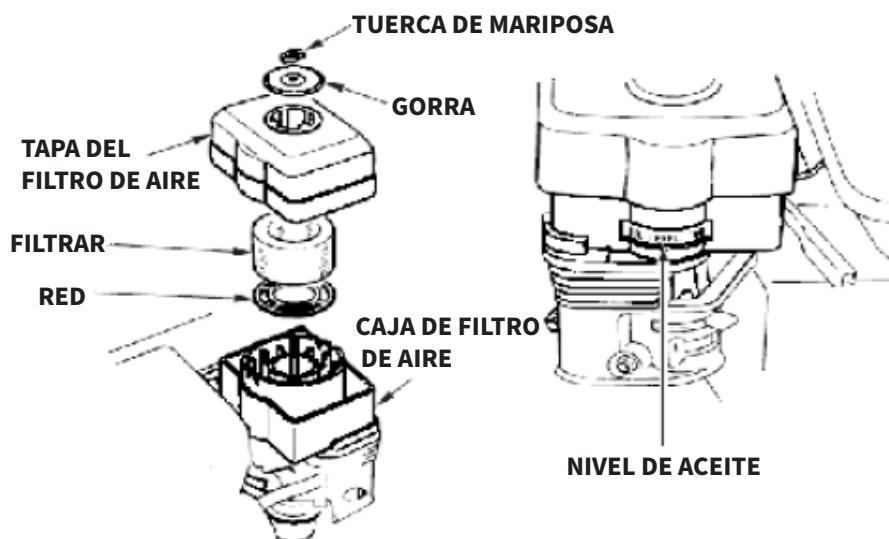
- Limpie la suciedad del interior de la base y la tapa del filtro de aire con un trapo húmedo. Tenga cuidado de evitar que entre suciedad en el conducto de aire que conduce al carburador.
- Coloque el elemento del filtro de aire de espuma sobre el elemento de papel y vuelva a instalar el filtro de aire ensamblado. Asegúrese de que la junta esté en su lugar debajo del filtro de aire. Apriete firmemente la tuerca de mariposa del filtro de aire.
- Instale la cubierta del filtro de aire y apriete firmemente la tuerca de mariposa de la cubierta

GUÍA DEL USUARIO

MANTENIMIENTO DEL MOTOR

TIPO DE BAÑO DE ACEITE

- Retire la tuerca de mariposa y retire la tapa y la cubierta del filtro de aire.
- Quite el filtro de aire de la tapa, lave la tapa y el filtro en agua jabonosa tibia, enjuague y deje secar completamente. O limpie con disolvente no inflamable y deje secar.
- Sumerja el filtro en aceite de motor limpio y luego exprima todo el exceso de aceite. El motor echará humo si queda demasiado aceite en la espuma.
- Vacíe el aceite usado de la caja del filtro de aire, lave la suciedad acumulada con disolvente no inflamable y seque la carcasa.
- Llene la caja del filtro de aire hasta la marca OIL LEVEL con el mismo aceite recomendado para el motor. Capacidad de aceite: 2,0 onzas estadounidenses (60 cm³)
- Vuelva a montar el filtro de aire y apriete firmemente la tuerca de mariposa.



GUÍA DEL USUARIO

MANTENIMIENTO DEL MOTOR



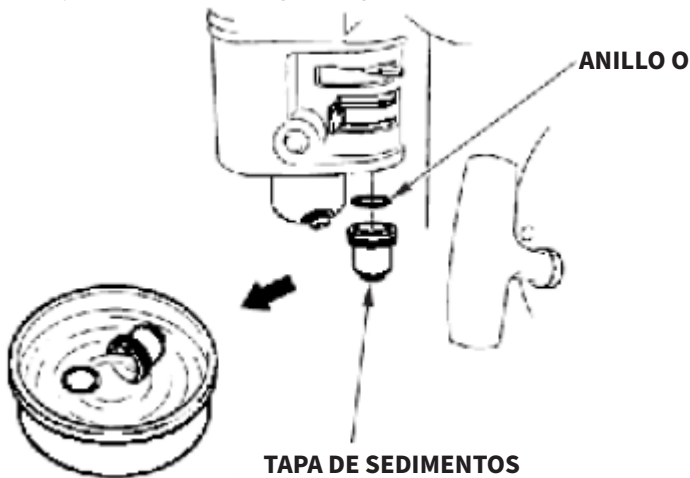
¡ADVERTENCIA!

La gasolina es altamente inflamable y explosiva. Puede sufrir quemaduras o lesiones graves al manipular combustible.

- Detenga el motor y mantenga alejados el calor, las chispas y las llamas.
- Manipule el combustible únicamente al aire libre.
- Limpie los derrames inmediatamente.

LIMPIEZA DEL VASO DE SEDIMENTOS

- Mueva la válvula de combustible a la posición de OFF y luego retire la taza de sedimentos de combustible y junta.
- Lave la copa de sedimentos y la junta tórica con un disolvente no inflamable y séquelos bien.
- Coloque la junta tórica en la válvula de combustible e instale la taza de sedimentos. Apriete bien la copa de sedimentos.
- Mueva la válvula de combustible a la posición ON y verifique que no haya fugas. Reemplace la junta tórica si hay alguna fuga.



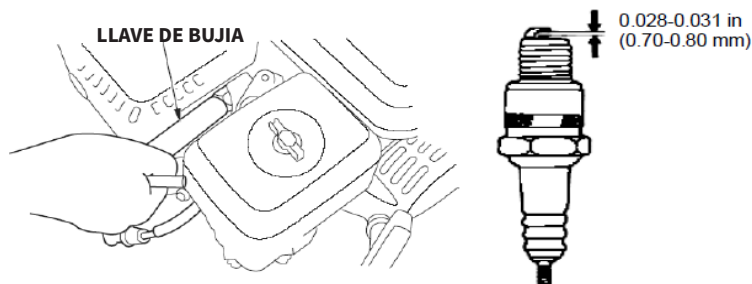
GUÍA DEL USUARIO

MANTENIMIENTO DEL MOTOR

SERVICIO DE BUJÍAS

Bujías recomendadas: F7RTC u otras equivalentes. Una bujía incorrecta puede dañar el motor.

- Desconecte la tapa de la bujía y elimine la suciedad alrededor del área de la bujía.
- Retire la bujía con una llave para bujías.



- Mida la distancia entre electrodos de la bujía con un calibre adecuado.
- El espacio debe ser de 0,028 a 0,031 pulgadas (0,70 mm a 0,80 mm). Corrija la brecha, si necesario, doblando con cuidado el electrodo lateral.
- Instale la bujía con cuidado, a mano, para evitar que se enrosque.
- Después de que la bujía se asiente, apriétela con una llave para bujías para comprimir el agua.

Si vuelve a instalar la bujía usada, apriete 1/8 - 1/4 de vuelta después de que se asiente la bujía.

Si instala una bujía nueva, apriete 1/2 vuelta después de que se asiente la bujía.

- Coloque la tapa de la bujía.

GUÍA DEL USUARIO

MANTENIMIENTO DEL MOTOR



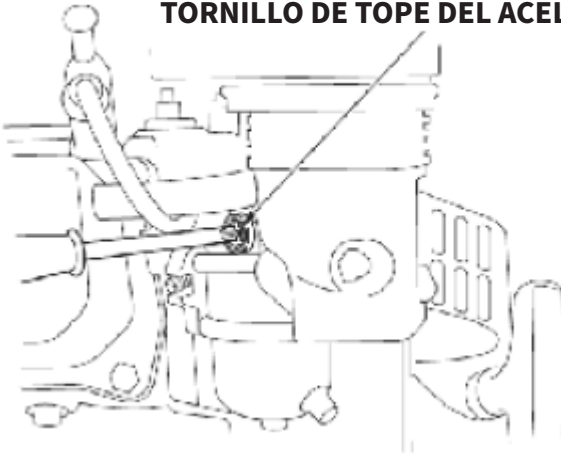
¡ADVERTENCIA!

Una bujía suelta puede sobrecalentarse y dañar el motor. Apretar demasiado la bujía puede dañar las roscas de la culata.

AJUSTE DE LA VELOCIDAD DE RALENTÍ

- Arranque el motor al aire libre y deje que alcance la temperatura de funcionamiento.
- Mueva la palanca del acelerador a su posición más lenta.
- Gire el tornillo de tope del acelerador para obtener la velocidad de ralentí estándar.
Velocidad de ralentí estándar: 1400 ± 150 rpm

TORNILLO DE TOPE DEL ACELERADOR



GUÍA DEL USUARIO

ALMACENAMIENTO / TRANSPORTE

ALMACENAMIENTO DE SU MOTOR

PREPARACIÓN ALMACENAMIENTO

La preparación adecuada para el almacenamiento es esencial para mantener su motor libre de problemas y en buen estado. Los siguientes pasos ayudarán a evitar que el óxido y la corrosión perjudiquen el funcionamiento y la apariencia de su motor y facilitarán el arranque del motor después del almacenamiento.

LIMPIEZA

Si el motor ha estado funcionando, deje que se enfríe durante al menos media hora antes de limpiarlo.

Limpie todas las superficies exteriores, retoque la pintura dañada y cubra otras áreas que puedan oxidarse con una capa ligera de aceite.



¡ADVERTENCIA!

El uso de una manguera de jardín o un equipo de lavado a presión puede forzar la entrada de agua en el filtro de aire o en la abertura del silenciador. El agua en el filtro de aire empapará el filtro de aire y el agua que pasa a través del filtro de aire o del silenciador puede ingresar al cilindro y causar daños.



¡ADVERTENCIA!

El agua que entra en contacto con un motor caliente puede causar daños. Si el motor ha estado funcionando, deje que se enfríe durante al menos media hora antes de lavarlo.

COMBUSTIBLE

La gasolina se oxidará y se deteriorará durante el almacenamiento. La gasolina vieja dificulta el arranque y deja depósitos de goma que obstruyen el sistema de combustible. Si la gasolina de su motor se deteriora durante el almacenamiento, es posible que necesite reparar o reemplazar el carburador y otros componentes del sistema de combustible.

GUÍA DEL USUARIO

ALMACENAMIENTO / TRANSPORTE

El tiempo que se puede dejar gasolina en el tanque de combustible y en el carburador sin causar problemas de funcionamiento variará según factores como la mezcla de gasolina, las temperaturas de almacenamiento y si el tanque de combustible está parcial o completamente lleno. El aire en un tanque de combustible parcialmente lleno promueve el deterioro del combustible. Las temperaturas/ almacenamientos muy calientes aceleran el deterioro del combustible. Los problemas de deterioro del combustible pueden ocurrir en unos pocos meses, o incluso menos si la gasolina no estaba fresca cuando llenó el tanque de combustible.

La garantía limitada del distribuidor no cubre daños en el sistema de combustible o problemas de rendimiento del motor que resulten de una preparación de almacenamiento no correcta.

Puede prolongar la vida de almacenamiento del combustible agregando un estabilizador de combustible formulado para ese propósito, o puede evitar problemas de deterioro del combustible drenando el tanque de combustible y el carburador.

AGREGAR UN ESTABILIZADOR DE COMBUSTIBLE PARA PROLONGAR LA VIDA DE ALMACENAMIENTO DEL COMBUSTIBLE

Cuando agregue un estabilizador de combustible, llene el tanque de combustible con gasolina nueva. Si solo está parcialmente lleno, el aire en el tanque promoverá el deterioro del combustible durante el almacenamiento. Si guarda un recipiente de gasolina para repostar, asegúrese de que solo contenga gasolina nueva.

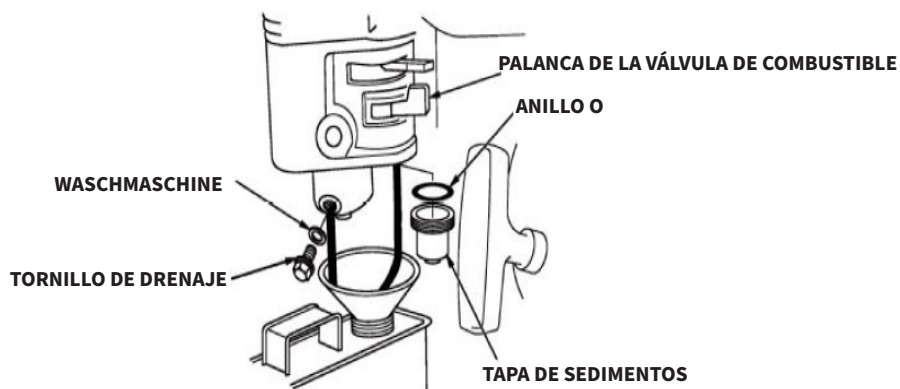
- Agregue estabilizador de combustible siguiendo las instrucciones del fabricante.
- Después de agregar un estabilizador de combustible, haga funcionar el motor al aire libre durante 10 minutos para asegurarse de que la gasolina tratada haya reemplazado a la gasolina sin tratar en el carburador.
- Pare el motor y mueva la válvula de combustible a la posición de OFF.

GUÍA DEL USUARIO

ALMACENAMIENTO / TRANSPORTE

DRENAJE DEL TANQUE DE COMBUSTIBLE Y DEL CARBURADOR

- Coloque un recipiente de gasolina aprobado debajo del carburador y use un embudo para evitar derramar combustible.
- Retire el perno de drenaje del carburador y la copa de sedimentos y luego mueva la palanca de la válvula de combustible a la posición ON.
- Una vez que todo el combustible se haya drenado en el recipiente, vuelva a instalar el perno de drenaje y la copa de sedimentos. Apriételes firmemente.



PRECAUCIONES DE ALMACENAMIENTO

- Cambie el aceite del motor.
- Retire las bujías.
- Vierta una cucharada (5-10 cc) de aceite de motor limpio en el cilindro.
- Tire de la cuerda de arranque varias veces para distribuir el aceite en el cilindro.
- Vuelva a instalar las bujías.

GUÍA DEL USUARIO

ALMACENAMIENTO / TRANSPORTE

- Tire de la cuerda de arranque lentamente hasta que sienta resistencia. Esto cerrará las válvulas para que la humedad no pueda entrar en el cilindro del motor. Devuelva la cuerda de arranque suavemente.

Si su motor se almacenará con gasolina en el tanque de combustible y el carburador, es importante reducir el riesgo de ignición por vapor de gasolina. Seleccione un área de almacenamiento bien ventilada lejos de cualquier aparato que funcione con una llama, como un horno, un calentador de agua o una secadora de ropa. También evite cualquier área con un motor eléctrico que produzca chispas o donde se operen herramientas eléctricas.

Si es posible, evite las áreas de almacenamiento con mucha humedad, porque eso promueve la oxidación y la corrosión.

A menos que se haya drenado todo el combustible del tanque de combustible, deje la palanca de la válvula de combustible en la posición de OFF para reducir la posibilidad de fugas de combustible.

Coloque el equipo de modo que el motor esté nivelado. La inclinación puede causar fugas de combustible o aceite.

Con el enfriamiento motor y el sistema de escape, cubra el motor para evitar que entre polvo. Un motor y un sistema de escape calientes pueden encender o derretir algunos materiales. No utilice láminas de plástico como cubierta antipolvo. Una cubierta no porosa atraparé la humedad alrededor del motor, promoviendo la oxidación y la corrosión.

Si está equipado con una batería para arranque eléctrico, recargue la batería una vez al mes mientras el motor está almacenado. Esto ayudará a prolongar la vida útil de la batería.

GUÍA DEL USUARIO

ALMACENAMIENTO / TRANSPORTE

ELIMINACIÓN

Verifique su motor como se describe en el capítulo COMPROBACIÓN ANTES DE LA OPERACIÓN.

Si se vació el combustible durante la preparación para el almacenamiento, llene el tanque con gasolina nueva. Si guarda un recipiente de gasolina para repostar, asegúrese de que solo contenga gasolina nueva.

La gasolina se oxida y se deteriora con el tiempo, lo que dificulta el arranque.

Si los cilindros se cubrieron con aceite durante la preparación para el almacenamiento, es posible que el motor emita humo brevemente al arrancar. Esto es normal.

TRANSPORTE

Si el motor ha estado funcionando, deje que se enfríe durante al menos 15 minutos antes de cargar el equipo accionado por motor en el vehículo de transporte. Un motor y un sistema de escape calientes pueden quemarlo y encender algunos materiales.

Mantenga el motor nivelado durante el transporte para reducir la posibilidad de fugas de combustible. Mueva la palanca de la válvula de combustible a la posición OFF.

GUÍA DEL USUARIO

RESOLUCIÓN DE PROBLEMAS

¿QUÉ HAGO SI FALTAN PIEZAS DE MI PEDIDO?

Si parece que falta alguna pieza en su pedido, comuníquese con nuestro equipo de Atención al Cliente dentro de los 7 días posteriores a la recepción.

PROBLEMAS MOTOR	CAUSA POSIBLE	ARREGLO
Arranque eléctrico: comprobar batería	Batería descargada.	Recarga la batería.
Arranque eléctrico: comprobar batería	Válvula de combustible APAGADA	Mueva la palanca a ON
	Estrangulador ABIERTO	Mueva la palanca a CERRAR a menos que el motor esté caliente
	Apagado del motor	Gire el interruptor del motor a ON
Compruebe el combustible.	Sin combustible	Repostar
	Mal combustible, motor guardado sin tratamiento ni vaciado de gasolina, o repostado con gasolina mala.	Drene el tanque de combustible y el carburador. Reposte con gasolina nueva.
Retire e inspeccione las bujías	Bujías defectuosas, sucias o con separación incorrecta.	Separe o reemplace las bujías.
	Bujías mojadas con combustible (motor inundado).	Seque y vuelva a instalar las bujías. Arranque el motor con la palanca del acelerador en la posición RÁPIDO.
Lleve el motor a un distribuidor de servicio autorizado o consulte el manual	Filtro de combustible obstruido, mal funcionamiento del carburador, mal funcionamiento del encendido, válvula atascada, etc.	Reemplace o repare los componentes defectuosos según sea necesario

SOLUCIÓN DE PROBLEMAS

GUÍA DE RESOLUCIÓN

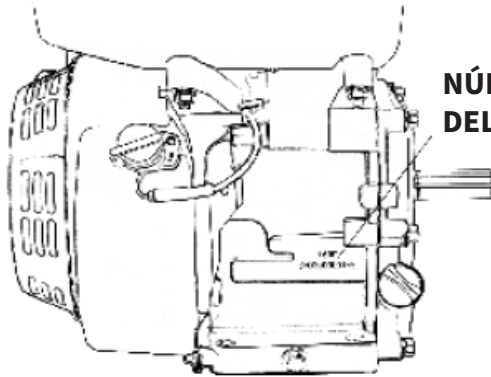
CARENCIAS DE MOTOR ENERGÍA	CAUSA POSIBLE	ARREGLO
Compruebe filtro de aire	Elemento(s) de filtro obstruidos.	Limpie o reemplace los elementos del filtro.
Compruebe el combustible.	Sin combustible.	Reposte
	Combustible en mal estado: motor almacenado sin tratamiento ni vaciado de gasolina, o repostado con gasolina en mal estado.	Drene el tanque de combustible y el carburador. Reposte con gasolina nueva.
Lleve el motor a un distribuidor de servicio autorizado o consulte el manual.	Filtro de combustible obstruido, mal funcionamiento del carburador, mal funcionamiento del encendido, válvula atascada, etc.	Reemplace o repare los componentes defectuosos según sea necesario.

PARA TODOS LOS DEMÁS PROBLEMAS, CONTACTE CON NUESTRO EQUIPO DE ATENCIÓN AL CLIENTE.

SOLUCIÓN DE PROBLEMAS

INFORMACIÓN TÉCNICA

UBICACIÓN DEL NÚMERO DE SERIE



**NÚMERO DE SERIE
DEL TIPO DE MOTOR**

Registre el número de serie del motor en el espacio proporcionado a continuación. Necesitará este número de serie cuando solicite piezas y cuando realice consultas técnicas o de garantía.

Número de serie del motor: _____

CONEXIONES DE BATERÍA PARA ARRANQUE ELÉCTRICO

Utilice una batería de 12 voltios con una clasificación de amperios por hora de al menos 18 Ah.

Tenga cuidado de no conectar la batería con la polaridad inversa, ya que esto provocará un cortocircuito en el sistema de carga de la batería. Siempre conecte el cable positivo (+) de la batería al terminal de la batería antes de conectar el cable negativo (-) de la batería, para que sus herramientas no puedan causar un cortocircuito si tocan una parte conectada a tierra mientras aprieta el extremo positivo (+) del cable de la batería.

INFORMACIÓN EXTRA

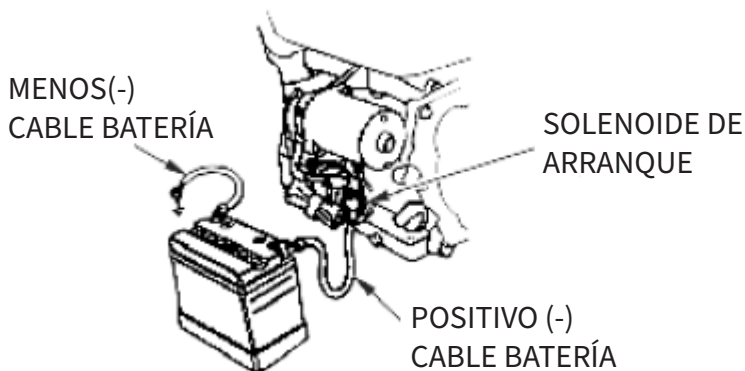
INFORMACIÓN TÉCNICA



¡ADVERTENCIA!

Una batería puede explotar si no sigue el procedimiento correcto, lesionando gravemente a cualquier persona que esté cerca. Mantenga todas las chispas, llamas abiertas y materiales humeantes alejados de la batería.

- Conecte el cable positivo (+) de la batería al terminal del solenoide de arranque como se muestra.
- Conecte el cable negativo (-) de la batería a un perno de montaje del motor, perno del bastidor u otra buena conexión a tierra del motor.
- Conecte el cable positivo (+) de la batería al terminal positivo (+) de la batería como se muestra.
- Conecte el cable negativo (-) de la batería al terminal negativo (-) de la batería como se muestra.
- Recubra los terminales y los extremos de los cables con grasa.
-



INFORMACIÓN EXTRA

INFORMACIÓN TÉCNICA

MODIFICACIÓN DEL CARBURADOR PARA FUNCIONAMIENTO EN ALTITUD

A gran altitud, la mezcla estándar de aire y combustible del carburador será demasiado densa. El rendimiento disminuirá y el consumo de combustible aumentará. Una mezcla muy rica también ensuciará la bujía y dificultará el arranque. El funcionamiento a una altitud diferente a la que se certificó este motor, durante períodos prolongados, puede aumentar las emisiones.

El rendimiento a gran altitud se puede mejorar mediante modificaciones específicas en el carburador. Si siempre opera su motor a altitudes superiores a los 5000 pies (1500 metros), solicite a su distribuidor de servicio que realice esta modificación del carburador. Este motor, cuando se opera a gran altura con las modificaciones del carburador para uso a gran altitud, cumplirá con cada estándar de emisión a lo largo de su vida útil.

Incluso con la modificación del carburador, la potencia del motor disminuirá aproximadamente un 3,5 % por cada aumento de 1.000 pies (300 metros) de altitud. El efecto de la altitud sobre la potencia será mayor que esto si no se realiza ninguna modificación en el carburador.



¡ADVERTENCIA!

Cuando el carburador ha sido modificado para operar a gran altitud, la mezcla de aire y combustible será demasiado pobre para el uso a baja altitud. El funcionamiento a altitudes por debajo de los 5000 pies (1500 metros) con un carburador modificado puede hacer que el motor se sobrecaliente y provocar daños graves en el motor. Para usar en altitudes bajas, solicite a su distribuidor de servicio que devuelva el carburador a las especificaciones originales de fábrica.

INFORMACIÓN EXTRA

INFORMACIÓN TÉCNICA

COMBUSTIBLES OXIGENADOS

Algunas gasolinas convencionales se mezclan con alcohol o un compuesto de éter. Estas gasolinas se conocen colectivamente como combustibles oxigenados.

Para cumplir con los estándares de aire limpio, algunas áreas usan combustibles oxigenados para ayudar a reducir las emisiones.

Si usa combustible oxigenado, asegúrese de que no tenga plomo y cumpla con el requisito mínimo de octanaje.

Antes de usar un combustible oxigenado, intente confirmar el contenido del combustible. Algunas áreas requieren que esta información se publique en la bomba.

Los siguientes son los porcentajes de oxigenados aprobados por la EPA:

ETANOL - (alcohol etílico o de grano) 10% por volumen Puede utilizar gasolina que contenga hasta un 10% de etanol por volumen. La gasolina que contiene etanol puede comercializarse con la denominación «E10 Petrol».

Si observa algún síntoma de funcionamiento no deseado, pruebe con otra estación de servicio o cambie a otra marca de gasolina.

Los daños al sistema de combustible o los problemas de rendimiento que resulten del uso de un combustible oxigenado que contenga más de los porcentajes de compuestos oxigenados mencionados anteriormente no están cubiertos por la garantía.

INFORMACIÓN EXTRA

INFORMACIÓN DEL SISTEMA DE CONTROL DE EMISIONES

FUENTE DE EMISIONES

El proceso de combustión produce monóxido de carbono, óxidos de nitrógeno e hidrocarburos. El control de hidrocarburos y óxidos de nitrógeno es muy importante porque, bajo ciertas condiciones, reaccionan para formar smog fotoquímico cuando se exponen a la luz solar. El monóxido de carbono no reacciona de la misma manera, pero es tóxico.

Esto utiliza configuraciones de carburador pobre y otros sistemas para reducir las emisiones de monóxido de carbono, óxidos de nitrógeno e hidrocarburos.

MANIPULACIÓN Y ALTERACIÓN

Manipular o alterar el sistema de control de emisiones puede aumentar las emisiones más allá del límite legal. Entre los actos que constituyen manipulación se encuentran:

Desmontaje o alteración de cualquier parte de los sistemas de admisión, combustible o escape.

Alterar o anular la articulación del gobernador o el mecanismo de ajuste de velocidad para hacer que el motor funcione fuera de sus parámetros de diseño.

PROBLEMAS QUE PUEDEN AFECTAR LAS EMISIONES

Si nota alguno de los siguientes síntomas, haga que su distribuidor de servicio inspeccione y repare su motor.

- Arranque difícil o estancamiento después del arranque.
- Fallo de encendido o petardeo bajo carga.
- Postcombustión (retroceso).
- Humo de escape negro o alto consumo de combustible.

INFORMACIÓN EXTRA

INFORMACIÓN DEL SISTEMA DE CONTROL DE EMISIONES

PIEZAS DE REPUESTO

Recomendamos el uso de repuestos originales cada vez que realice el mantenimiento. Estas piezas de repuesto de diseño original se fabrican con los mismos estándares que las piezas originales, por lo que puede estar seguro de su rendimiento. El uso de piezas de repuesto que no tengan el diseño y la calidad originales puede afectar la eficacia de su sistema de control de emisiones.

Un fabricante de una pieza del mercado de repuestos asume la responsabilidad de que la pieza no afectará negativamente el rendimiento de las emisiones. El fabricante o el reconstructor de la pieza debe certificar que el uso de la pieza no provocará que el motor no cumpla con las reglamentaciones sobre emisiones.

MANTENIMIENTO

Siga el programa de mantenimiento. Recuerde que este cronograma asume que su máquina se usará para el propósito para el que fue diseñada. La operación sostenida de alta carga o temperatura, o el uso en condiciones inusualmente húmedas o polvorientas, requerirán un servicio más frecuente.

PUESTA A PUNTO DEL MOTOR

ARTÍCULO	ESPECIFICACIÓN
Separación de bujías	0,028-0,031 pulgadas (0.70 mm -0.80 mm)
Juego de válvulas	0.15 mm±0.02 mm (kalt) EX: 0.20 mm±0.02 mm (kalt)
Otras especificaciones	No se necesitan otros ajustes

INFORMACIÓN EXTRA

INFORMACIÓN DEL CONSUMIDOR

PUBLICACIONES

Estas publicaciones le brindarán información adicional para mantener y reparar su motor. Puede pedirlos a su distribuidor de motores.

CATÁLOGO DE PIEZAS

Este manual proporciona listas de piezas completas e ilustradas.

INFORMACIÓN DE REFERENCIA RÁPIDA

Aceite de motor	Nombre	SAE 10W-30, API SE o SF, para uso general
	Capacidad	G200F: 0,6 litros
Bujía	Nombre	F7RTC u otros equivalentes.
	Brecha	0,028-0,031 pulgadas (0,70 mm-0,80 mm)
Carburador	Ralentí	1400 tr/min±150 tr/min
Mantenimiento	Cada uso	Revise el aceite del motor. Compruebe el filtro de aire.
	Primeras 20 horas	Cambie el aceite del motor.
	Subsecuente	Consulte el mantenimiento

INFORMACIÓN EXTRA

ESPECIFICACIONES

Nombre	Cilindro único, 4 tiempos, refrigeración por aire forzado, OHV
Potencia nominal (kW/3600rpm)	3.8
Máx. par (N-m/rpm)	13/3000
Consumo de combustible (g/kW-h)	≤395
Ralentí	1400±150
Relación de fluctuación de velocidad	≤10%
Modo de transmisión	-
Relación de reducción	-
Ruido (≤)	70db(A)
Carrera de diámetro (mm)	68×54
Desplazamiento (cc)	196
Índice de compresión	8.5:1
Modo de lubricación	Chapoteo
Modo de inicio	Arrancador de retroceso
Rotación	En sentido contrario a las agujas del reloj (desde el lado de la TDF)
Juego de válvulas	Eiválvula de entrada - 0,10 - 0,15 mm, válvula de salida - 0,15 - 0,20 mm
Juego de bujías	0.7 - 0.8mm
Modo de encendido	Encendido magneto transistorizado
Filtro de aire	Semiseco, Baño de aceite, Filtro de espuma
Dimensión (Longitud)	312mm
Dimensión (Ancho)	376mm
Dimensión (Alta)	335mm
Peso neto / kg)	16(19)

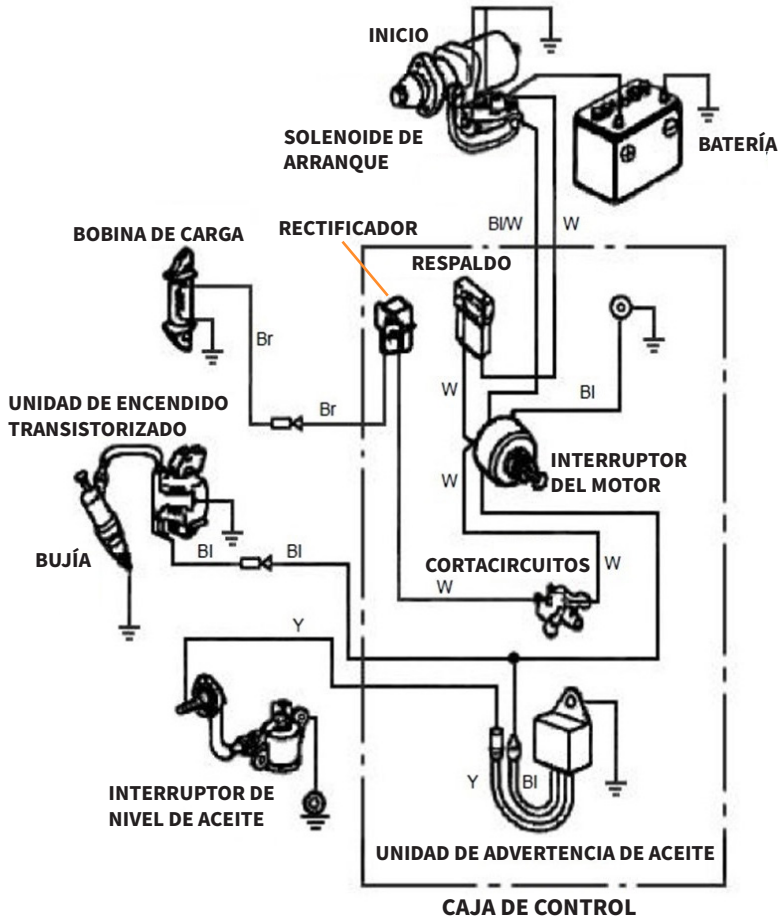
INFORMACIÓN EXTRA

DIAGRAMAS DE CABLEADO

INTERRUPTOR DEL MOTOR

	YO G	MI	ST	BAT
APAGADO	O	O		
EN				
COMIENZO			O	O

BI	NEGRO	BR	MARRÓN
Y	AMARILLO	R	ROJO
W	BLANCO	G	VERDE

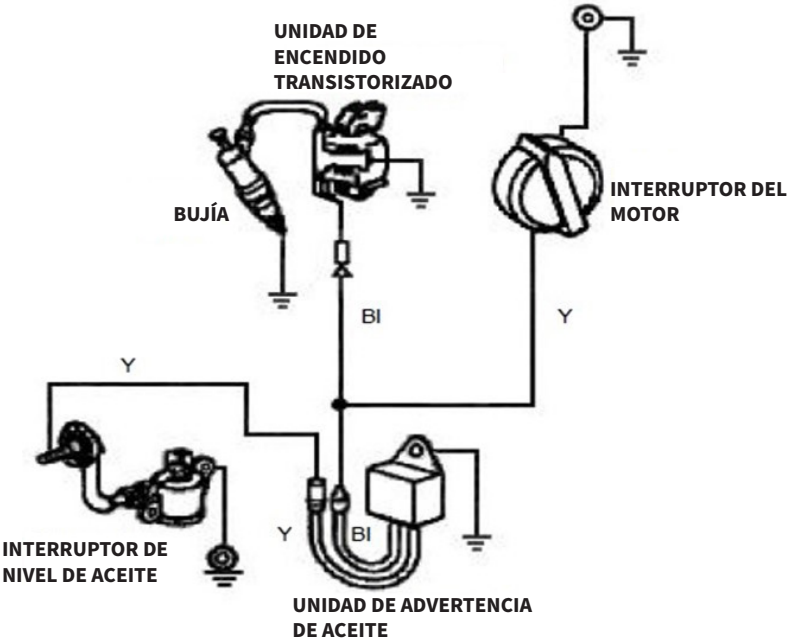


INFORMACIÓN EXTRA

DIAGRAMAS DE CABLEADO

TIPO DE MOTOR CON ALERTA DE ACEITE Y SIN ARRANQUE ELÉCTRICO

Bl	NEGRO
Y	AMARILLO
G	VERDE



INFORMACIÓN EXTRA

PARTES OPCIONALES

BATERÍA

BATERÍA - PIEZA OPCIONAL

Utilice una batería de 12 V, 18 Ah o más.



¡ADVERTENCIA!

No invierta la polaridad. Se pueden dañar gravemente el motor y/o la batería.



¡ADVERTENCIA!

Una batería puede explotar si no sigue el procedimiento correcto, lesionando gravemente a cualquier persona que esté cerca. Mantenga todas las chispas, llamas abiertas y materiales humeantes alejados de la batería.

Verifique el nivel de electrolito para asegurarse de que esté entre las marcas de la caja. Si el nivel está por debajo de la marca inferior, retire las tapas y agregue agua destilada para llevar el nivel de electrolito a la marca superior. Las celdas deben estar igualmente llenas.

SPECIFICHE

DESCRIZIONE DEL PRODOTTO

Il vostro nuovo mini-transporter sarà in grado di soddisfare ogni vostra necessità. È stato creato secondo rigorosi standard di qualità per raggiungere criteri di prestazioni senza precedenti. Scoprirete che davvero è semplice e sicuro da utilizzare e che, con un'adeguata manutenzione, vi fornirà tantissimi anni di funzionamento affidabile.

Il cambio a quattro velocità, tre in avanti e una per la retromarcia, è il cuore dell'unità. È sovradimensionato per gestire in maniera sicura le grandissime coppie prodotte dal motore. Grazie all'efficiente cambio, è in grado di muoversi in qualunque tipo di situazione e di sopportare qualunque tipologia di carico.

Il produttore del Motore è responsabile di tutte le problematiche relative al motore per quanto riguarda le prestazioni, la potenza nominale, le specifiche, la garanzia e l'assistenza. Consultare la sezione del Manuale relativa al motore.

SPECIFICHE DEL PRODOTTO

Motore	196 ccm 6,5 PS
Tipo di carburante	Senza piombo (95)
Trasmissione	3F + 1R
Capacità di carico	300kg
Lunghezza del cassone	907-1004mm
Larghezza del cassone	600-860 mm
Profondità del cassone	210mm
Larghezza Carreggiata	180mm
Livello di potenza sonora	103dB
Peso	178kg

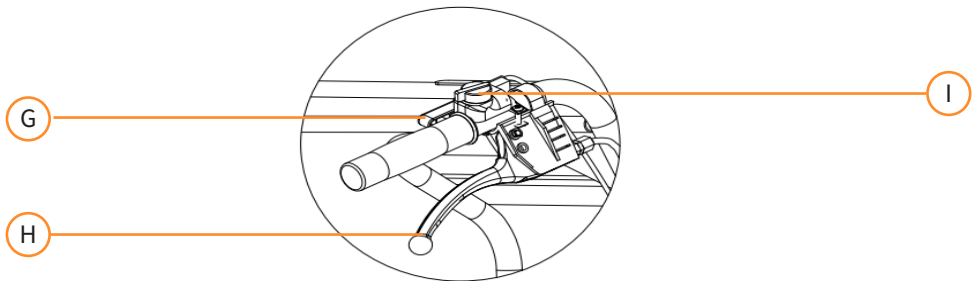
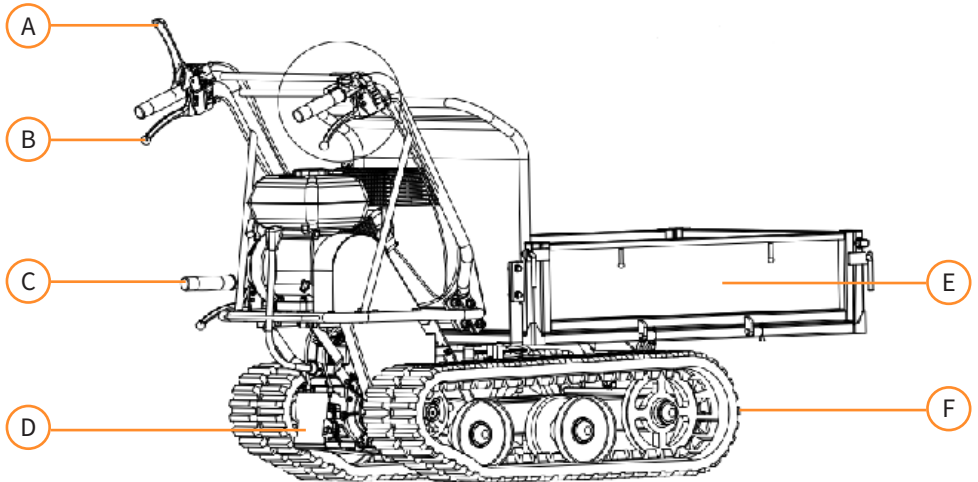
CONTENUTO DELL'ARTICOLO

Codice prodotto	Descrizione	Cantidad
1	Telaio principale	1
2	Gruppo Manubrio	1
3	Maniglia di ribaltamento	1
4	Cassone ribaltabile	1
5	Manuale di istruzioni	1

SPECIFICHE

CARATTERISTICHE DEL PRODOTTO

- | | |
|-------------------------------|-----------------------------|
| A. Leva della Frizione | F. Cingoli |
| B. Leva dello Sterzo sinistra | G. Leva dell'acceleratore |
| C. Maniglia di ribaltamento | H. Leva dello sterzo destra |
| D. Cambio | I. Interruttore On / Off |
| E. Cassone Ribaltabile | |



La responsabilità da parte di Monster Group UK Limited sarà limitata al solo valore commerciale del prodotto.

CONSIGLI PER LA SICUREZZA

PRATICA DI LAVORO SICURA



ATTENZIONE!!

Questa macchina deve essere utilizzata solamente da maggiorenni.

Conoscere la propria macchina

- Leggere e comprendere il manuale operativo e le etichette posizionate sulla macchina. Imparare a conoscere le applicazioni e le limitazioni della macchina, nonché i potenziali pericoli specifici relativi alla stessa.
- Conoscere in maniera esaustiva i comandi e il loro corretto funzionamento. Saper arrestare la macchina e disinserire i comandi in maniera rapida.
- Accertarsi di aver letto e compreso tutte le istruzioni e le precauzioni di sicurezza indicate nella sezione relativa al Manuale del Motore.
- NON tentare di utilizzare la macchina prima di aver compreso pienamente le modalità di funzionamento e di manutenzione del motore e di come evitare eventuali lesioni accidentali e/o danni alle cose.

Area di funzionamento

- NON avviare o lasciare in moto la macchina all'interno di un ambiente chiuso. I fumi di scarico sono pericolosi e contengono monossido di carbonio, un gas inodore e mortale. Utilizzare l'unità solamente in ambienti esterni ben ventilati.
- NON utilizzare la macchina in assenza di buona visibilità o di luce.

Vestirsi in maniera adeguata

- Indossare pantaloni lunghi pesanti, stivali e guanti.
- NON indossare abiti larghi, pantaloncini e gioielli di alcun genere.
- Legare i capelli lunghi in maniera tale che siano al di sopra del livello delle spalle.
- Tenere capelli, indumenti e guanti lontani dalle parti in movimento.

CONSIGLI PER LA SICUREZZA

PRATICA DI LAVORO SICURA

Utilizzare l'attrezzatura in maniera sicura

- Indossare sempre una protezione per gli occhi. I dispositivi di sicurezza come una mascherina antipolvere, un elmetto o delle protezioni per l'udito, utilizzati in condizioni adeguate, ridurranno eventuali possibili lesioni personali.
- Controllare sempre la macchina prima di metterla in moto. Mantenere le protezioni addosso e in ordine. Assicurarsi che tutti i dadi, i bulloni, ecc. siano ben serrati.
- NON utilizzare la macchina se necessita di essere riparata o se è in cattive condizioni meccaniche. Sostituire le parti danneggiate, mancanti o guaste prima di utilizzarla. Verificare che non vi siano perdite di carburante. Mantenere la macchina in condizioni di sicurezza.
- NON rimuovere o manomettere i dispositivi di sicurezza. Verificare regolarmente il loro corretto funzionamento.
- NON utilizzare la macchina se l'interruttore del motore non permette correttamente di accenderla o spegnerla. Una macchina a benzina che non può essere controllata tramite l'interruttore del motore è pericolosa e deve essere riparata.
- Prima di avviare la macchina, controllare che le chiavi di avviamento e le chiavi di regolazione siano rimosse state dall'area di funzionamento. Una chiave o un attrezzo lasciato attaccato ad una parte rotante della macchina può causare lesioni.
- Quando si utilizza la macchina, rimanere sempre vigili, fare attenzione a ciò che si fa e usare buon senso.
- NON strafare.
- NON usare la macchina a piedi nudi o con sandali o calzature leggere. Indossare calzature protettive che proteggano i piedi e migliorino l'appoggio sulle superfici scivolose. Mantenere sempre una posizione e un equilibrio corretti. Ciò permette di controllare la macchina in maniera più precisa in caso di situazioni impreviste.

CONSIGLI PER LA SICUREZZA

PRATICA DI LAVORO SICURA

- Evitare l'avviamento accidentale. Assicurarsi che il motore sia spento prima di trasportare la macchina o di eseguire interventi di manutenzione o di assistenza. Il trasporto o l'esecuzione di interventi di manutenzione o di assistenza su una macchina a motore acceso può causare incidenti.

Sicurezza personale

- NON utilizzare la macchina sotto l'effetto di droghe, alcol o farmaci che possano compromettere le capacità di un corretto utilizzo.

Sicurezza relativa al carburante

- Il carburante è altamente infiammabile e i suoi vapori possono causare esplosioni in caso di innesco. Adottare le giuste precauzioni per ridurre rischi di gravi lesioni personali.
- Per il rifornimento o lo svuotamento del serbatoio del carburante, utilizzare un contenitore approvato in un'area esterna pulita e ben ventilata.
- NON fumare, né lasciare che scintille, fiamme libere o altre fonti di innesco possano trovarsi nell'area durante l'aggiunta di carburante o il funzionamento dell'unità. Non riempire mai il serbatoio del carburante in ambienti chiusi.
- Tenere gli oggetti conduttori con un'adeguata messa a terra, come gli utensili, lontani dalle parti e dai collegamenti elettrici esposti e sotto tensione per evitare scintille o archi elettrici. Questi eventi potrebbero innescare fumi o vapori.
- Spegnere sempre il motore e lasciare che si raffreddi prima di riempire il serbatoio del carburante. Non rimuovere mai il tappo del serbatoio e non aggiungere mai carburante mentre il motore è in funzione o caldo.
- NON utilizzare la macchina nel caso in cui si notino perdite nell'impianto di alimentazione.
- Svitare lentamente il tappo del serbatoio del carburante per scaricare la pressione nel serbatoio.

CONSIGLI PER LA SICUREZZA

PRATICA DI LAVORO SICURA

- Non riempire mai eccessivamente il serbatoio del carburante. Riempire il serbatoio fino a non più di 12.5 mm (1/2") sotto il fondo del bocchettone di rifornimento per lasciare lo spazio sufficiente di espansione, dato che il calore del motore può far espandere il carburante.
- Riposizionare saldamente tutti i tappi dei serbatoi e dei contenitori di carburante e pulire il carburante versato. Non accendere mai l'unità senza che il tappo del carburante sia saldamente posizionato.
- Evitare di creare fonti di innesco nei paraggi del carburante versato. In caso di fuoriuscite di carburante, non avviare il motore, ma allontanare la macchina dall'area di versamento ed evitare di creare fonti di innesco finché i vapori del carburante non si dissipano.
- Conservare il carburante in contenitori specificamente progettati e approvati allo scopo.
- Conservare il combustibile in un'area fresca e ben ventilata, lontano da scintille, fiamme o altre fonti di innesco.
- Non conservare mai il carburante o la macchina con il carburante nel serbatoio all'interno di un edificio in cui i fumi possano raggiungere scintille, fiamme libere o altre fonti di innesco, come scaldabagni, forni, asciugatrici, ecc. Lasciare raffreddare il motore prima di riporlo in un'area chiusa.

Utilizzo e manutenzione della macchina

- Posizionare la macchina affinché non possa muoversi durante le operazioni di manutenzione, pulizia, regolazione, montaggio di accessori o parti di ricambio, o quando si conserva.
- NON forzare la macchina. Utilizzare la macchina corretta per ogni tipo di lavoro. La macchina corretta svolgerà il lavoro in maniera migliore e sicura alla velocità per cui è stata progettata.
- NON modificare le impostazioni del regolatore del motore e non sovraccaricare il motore. Il regolatore controlla la velocità operativa massima di sicurezza del motore.

CONSIGLI PER LA SICUREZZA

PRATICA DI LAVORO SICURA

- NON far girare il motore ad alta velocità quando non si sta lavorando.
- NON avvicinare mani e piedi alle parti rotanti.
- Evitare il contatto con carburante caldo, olio, fumi di scarico e superfici calde.
- NON toccare il motore o lo scarico. Queste parti sono molto calde. Rimangono calde per un breve periodo di tempo dopo lo spegnimento della macchina. Lasciare raffreddare il motore prima di effettuare manutenzione o regolazioni.
- Se la macchina inizia a produrre rumori o vibrazioni insolite, spegnere subito il motore, scollegare il cavo delle candele e verificarne le cause. Rumori o vibrazioni insolite sono generalmente segnale di problemi.
- Utilizzare solamente accessori approvati dal produttore. In caso contrario, potrebbero verificarsi lesioni personali.
- Effettuare un'adeguata manutenzione della macchina. Controllare che non vi siano disallineamenti o blocchi delle parti mobili, rotture di componenti ed eventuali condizioni che possano compromettere il corretto funzionamento della macchina. Se danneggiata, farla riparare prima dell'utilizzo. Molti incidenti sono spesso causati da una cattiva manutenzione della macchina.
- Per ridurre la possibilità di incendi, mantenere il motore e lo scarico liberi da erba, foglie, eccessivo grasso o accumuli di carbone.
- Non bagnare o spruzzare mai acqua o altri liquidi sulla macchina. Mantenere le impugnature asciutte, pulite e prive di sporcizia. Pulire dopo ogni utilizzo.
- Osservare le leggi e le normative relative allo smaltimento di benzina, olio, ecc. per proteggere l'ambiente.
- Conservare la macchina fuori dalla portata dei bambini e non permettere mai che persone che non conoscano la macchina o le presenti istruzioni possano utilizzarla. La macchina può essere pericolosa se utilizzata da utenti senza adeguate competenze.

CONSIGLI PER LA SICUREZZA

PRATICA DI LAVORO SICURA

Riparazioni

- Prima di pulire, riparare, ispezionare o effettuare regolazioni, spegnere il motore e accertarsi che tutte le parti in movimento si siano fermate. Scollegare il filo della candela e tenerlo lontano dalla presa per evitare che si avvii accidentalmente.
- Affidare le riparazioni della macchina a personale qualificato che utilizzi esclusivamente parti di ricambio identiche. In questa maniera si garantirà che la macchina possa operare in massima sicurezza.
- Ispezionare con cura l'area di lavoro, mantenere l'area di lavoro pulita e priva di sporcizia per evitare di inciampare. Operare su un terreno pianeggiante.
- Non posizionare MAI alcuna parte del corpo dove potrebbero esserci pericoli in caso di movimento durante il montaggio, l'installazione, il funzionamento, la manutenzione, la riparazione o lo spostamento.
- Mantenere tutti gli astanti, i bambini e gli animali domestici ad almeno 23m (75 piedi) di distanza. Nel caso in cui qualcuno si stia avvicinando, fermare immediatamente l'unità.
- NON salire sul cassone di scarico e non trasportare mai persone al suo interno.
- Non parcheggiare MAI la macchina su un terreno instabile che potrebbe cedere, soprattutto quando vi è posizionato un carico.
- Disinnestare la leva della frizione prima dell'avvio del motore.
- Avviare il motore con la massima cautela, seguendo le istruzioni e tenendo i piedi ben lontani dalle parti in movimento.
- Non abbandonare MAI la posizione di lavoro quando il motore è in funzione.
- Durante il funzionamento, tenere sempre l'unità con entrambe le mani. Mantenere una presa salda sul manubrio. Tenere sempre a mente che la macchina potrebbe sobbalzare inaspettatamente verso l'alto o balzare in avanti in caso di urto con ostacoli interrati, come ad esempio grosse pietre.
- Camminare, senza mai correre, quando si utilizza la macchina.

CONSIGLI PER LA SICUREZZA

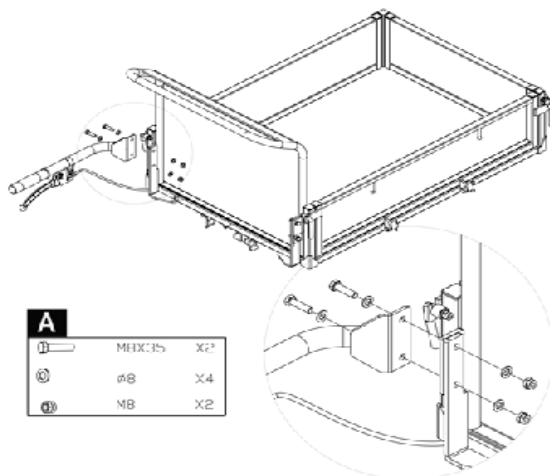
PRATICA DI LAVORO SICURA

- NON sovraccaricare la capacità massima della macchina.
- Guidare ad una velocità di sicurezza, adattando la velocità alle pendenze del terreno, alle condizioni della superficie stradale e al peso del carico.
- Porre massima attenzione quando si procede in retromarcia o si trascina la macchina verso di sé.
- Porre la massima attenzione quando si opera o si attraversano vialetti, passerelle o strade di ghiaia. Fare attenzione ai pericoli nascosti o al traffico.
- Su terreni morbidi, guidare con la prima marcia/retromarcia.
- NON accelerare, svoltare e non fermarsi in maniera troppo brusca.
- Porre la massima attenzione quando si lavora su terreni ghiacciati, poiché la macchina potrebbe sbandare.
- Quando possibile, evitate di guidare su letti di fiumi ghiaiosi, terreni in pietra frantumata, cemento armato, campi scoscesi, con frammenti di legno ecc. poiché tali operazioni potrebbero causare danni severi ai cingoli o ridurne la durata.
- NON utilizzare la macchina in aree ristrette dove potrebbe esserci il rischio che l'operatore possa rimanere schiacciato tra la macchina e un altro oggetto.
- Non utilizzare MAI la macchina su pendenze con un angolo superiore ai 20°.
- Quando ci si sposta su un pendio, sia in avanti che in retromarcia, assicurarsi sempre che il peso sia stato bilanciato in maniera uniforme. Muoversi sempre in direzione parallela alla pendenza (in salita o in discesa). Per evitare pericoli, non cambiare mai marcia mentre si è in pendenza.
- Quando si ribalta il carico dal cassone, il baricentro della macchina cambia rapidamente e le condizioni del terreno risultano fondamentali per garantire la corretta stabilità della macchina. Possono sussistere particolari rischi quando le macchine lavorano su terreni morbidi e quando il carico può rimanere attaccato al cassone, ad esempio quando vi è presenza di argilla umida.

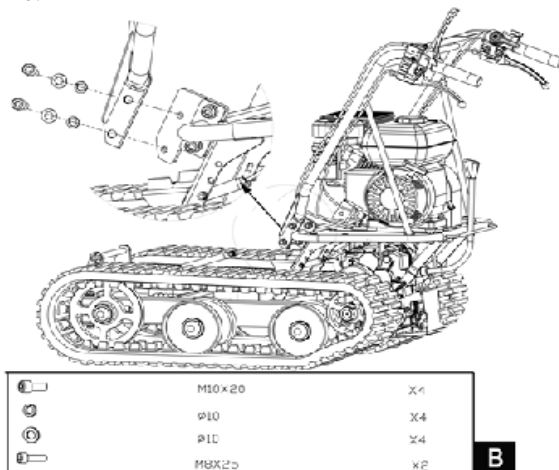
GUIDA PER L'UTENTE

ISTRUZIONI PER IL MONTAGGIO

- Montare la maniglia di ribaltamento sul lato destro del pannello del cassone. Allineare i fori e fissarli con due bulloni esagonali M8x35, quattro rondelle e due dadi.



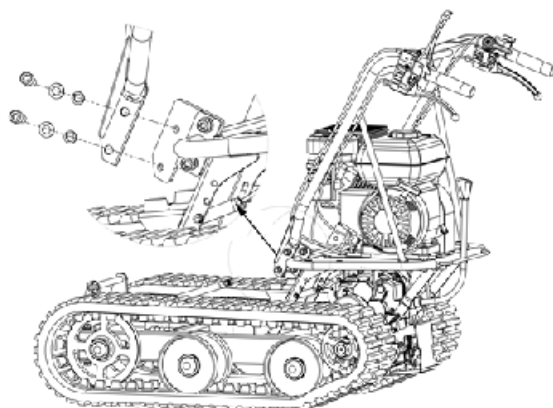
- Allineare i fori del manubrio con la staffa di montaggio e fissarli tramite una rondella elastica, una rondella piatta e un bullone M10x20. Fissare ogni supporto del manubrio sul ponte motore utilizzando una rondella elastica, una rondella piatta e un bullone esagonale M8x25.



GUIDA PER L'UTENTE

ISTRUZIONI PER IL MONTAGGIO

- Posizionare il pannello inferiore all'interno della staffa di montaggio. Allineare i fori con la staffa di montaggio. Inserire un perno lungo attraverso i fori e fissare ogni lato utilizzando una rondella piatta e una coppiglia.



	M10 x 20	x4
	φ10	x4
	φ10	x4
	M8x20	x2

B

Olío motore



ATTENZIONE!

L'olio è stato scaricato prima della spedizione. Avviare il motore senza aver riempito la coppa del motore con dell'olio produrrà danni permanenti annullando la garanzia del motore.

Aggiungere dell'olio in base a quanto riportato nella sezione del Manuale relativa al motore a pagina 295.

GUIDA PER L'UTENTE

ISTRUZIONI OPERATIVE

Avvio del Motore

- Una descrizione più dettagliata sul funzionamento del motore e di tutte le relative precauzioni e procedure è riportata all'interno del Manuale del motore a pagina 281 del presente manuale.
- Per l'avviamento a freddo, seguire la procedura indicata di seguito:
- Posizionare la leva del cambio in posizione di folle
- Posizionare la leva dello starter del motore in posizione di piena apertura dell'aria.
- Accendere l'interruttore del motore.
- Tirare lentamente la corda di avviamento diverse volte per consentire alla benzina di fluire all'interno del carburatore del motore. Quindi, tenere saldamente la maniglia di avviamento e tirare la corda per un breve tratto fin quando non si avvertirà una certa resistenza. In fine, tirare la corda in maniera fluida e decisa lasciando che questa torni delicatamente indietro. Non lasciare che la corda torni indietro bruscamente. Se necessario, tirare la corda diverse volte finché il motore non si avvierà.
- Lasciare che il motore giri per alcuni istanti per riscaldarlo. Quindi, spostare gradualmente la leva di apertura dell'aria in posizione "OPEN".



ATTENZIONE!

Lasciare che il motore si riscaldi per qualche istante prima di inserire una marcia.

Il riavvio di un motore già caldo per un precedente funzionamento, normalmente, non richiede l'utilizzo dello starter.

- Posizionare la leva dell'acceleratore sul manubrio a metà corsa.
- Tenere in maniera salda la maniglia di avvio e tirare la corda per un breve tratto fin quando non si avverte una certa resistenza. A questo punto, tirare la corda in maniera fluida e veloce e lasciare che la corda torni indietro delicatamente. Non lasciare che la corda torni indietro bruscamente.

GUIDA PER L'UTENTE

ISTRUZIONI OPERATIVE

- Dopo che il motore si è riscaldato, muovere lentamente la leva di comando della frizione, quindi, inserire la marcia desiderata; se la marcia non si innesta immediatamente, rilasciare lentamente la leva della frizione e riprovare. In questo modo il mini dumper inizierà a muoversi.
- Tirare la leva dell'acceleratore per aumentare la velocità del motore.
- Il mini dumper è dotato di leve di sterzo posizionate sul manubrio che rendono la sterzata davvero semplice. Per girare a destra o a sinistra, basterà azionare la rispettiva leva di sterzo destra o sinistra.
- La sensibilità dello sterzo aumenterà in proporzione alla velocità della macchina e, a macchina vuota, sarà sufficiente una leggera pressione sulla leva per svoltare. Quando la macchina è carica, invece, sarà necessaria una pressione maggiore.
- Il mini dumper dispone di una portata massima di 300 kg, tuttavia sarebbe consigliato valutare il carico e regolarlo sulla base del terreno su cui la macchina verrà utilizzata.
- Non caricare mai con un peso superiore ai 300 kg
- È quindi consigliabile percorrere questi tratti utilizzando una marcia bassa e ponendo molta attenzione. In queste situazioni, la macchina deve essere mantenuta a marcia ridotta per tutto il tratto.
- Evitare di effettuare curve strette e frequenti cambi di direzione durante la guida su strada, in particolare su terreni accidentati e duri, pieni di punti affilati e irregolari con un alto grado di attrito.
- Anche se l'unità è dotata di cingoli in gomma, si prega di prestare attenzione quando si lavora in condizioni atmosferiche avverse (ghiaccio, pioggia battente e neve) o su tipi di terreno che potrebbero rendere instabile il mini dumper.
- Si prega di notare che, trattandosi di un veicolo cingolato, è soggetto ad un notevole movimento di beccheggio quando passa su dossi, buche e gradini.
- Quando la leva del controllo della frizione viene rilasciata, la macchina si arresterà e frenerà automaticamente, mentre la leva dell'acceleratore viene disattivata.
- Se la macchina è ferma su un pendio ripido, sarà necessario posizionare un cuneo contro uno dei cingoli.

GUIDA PER L'UTENTE

ISTRUZIONI OPERATIVE

Regime di minimo

Posizionare la leva di controllo dell'acceleratore in posizione "SLOW" per ridurre le sollecitazioni sul motore quando non si lavora. Abbassando il regime del motore al minimo si contribuirà a prolungare la durata del motore, a risparmiare carburante e a ridurre il livello di rumorosità della macchina.

Arresto del motore

Per arrestare il motore in caso di emergenza, rilasciare la leva di controllo della frizione, quindi portare l'interruttore del motore in posizione "OFF". In condizioni normali, utilizzare la seguente procedura:

- Muovere la leva dell'acceleratore in posizione "SLOW".
- Lasciare il motore al minimo per uno o due minuti.
- Posizionare l'interruttore del motore in posizione "OFF".
- Posizionare la leva della valvola del carburante in posizione "OFF".



ATTENZIONE!

NON posizionare il comando dello starter su CHOKE per arrestare il motore. Potrebbero verificarsi ritorni di fiamma o danni al motore.

GUIDA PER L'UTENTE

MANUTENZIONE

Una manutenzione e una lubrificazione adeguate consentiranno di mantenere la macchina in perfette condizioni di funzionamento.

Manutenzione preventiva

- Spegnere il motore e disinnestare tutte le leve di comando. Il motore deve essere freddo.
- Ispezionare le condizioni generali dell'unità. Verificare che non vi siano viti allentate, parti mobili non allineate o danneggiate, parti incrinates o rotte e qualunque altra condizione che possa compromettere la sicurezza durante il funzionamento.
- Rimuovere tutti i detriti e gli altri materiali che possano essersi accumulati sui cingoli e sull'unità. Pulire dopo ogni utilizzo. Utilizzare quindi un olio per macchine leggere di alta qualità per lubrificare tutte le parti mobili.



ATTENZIONE!

Non utilizzare mai idropulitrici per pulire l'unità. L'acqua potrebbe insinuarsi nelle zone più strette della macchina e della scatola di trasmissione causando danni a perni, ingranaggi, cuscinetti o al motore. Utilizzare idropulitrici riduce la durata della macchina e la possibilità di effettuare manutenzione.

Regolazione della frizione

Con l'usura della frizione, la leva potrebbe amplificare la propria apertura, risultando, di conseguenza, scomoda da utilizzare. Ciò significa che sarà necessario regolare il cavo, riportando la leva della frizione nella sua posizione originale agendo sul dispositivo di regolazione e sul controdado.

Regolazione dello sterzo

In caso si riscontrino difficoltà con lo sterzare l'unità, sarà necessario regolare le leve dello sterzo tramite gli appositi regolatori. Allentare il controdado e svitare i regolatori per eliminare il gioco del cavo, che potrebbe verificarsi dopo il primo utilizzo o la normale usura. Porre molta attenzione a non svitare troppo i regolatori poiché questo potrebbe creare un altro problema: la perdita di trazione. Al termine, ricordarsi di serrare il controdado.

GUIDA PER L'UTENTE

MANUTENZIONE

Lubrificazione

Il cambio è pre-lubrificato e sigillato in fabbrica.

Controllare il livello dell'olio ogni 50 ore di utilizzo. Togliere il tappo e controllare, tenendo la macchina in posizione orizzontale, che l'olio raggiunga le due tacche. Se necessario, aggiungere dell'olio.

Utilizzare del grasso al litio #0 per utensili portatili come Lubriplate 630AA, Lubriplate GR-132 o Multifak, ad esempio EP-O.

L'olio deve essere sostituito a caldo svitando il tappo di riempimento e il tappo dotato di asta di livello. Quando l'olio sarà stato completamente drenato, rimettere il tappo di riempimento e riempire con dell'olio nuovo.

Serraggio dei cingoli

A causa dell'usura, i cingoli tenderanno ad allentarsi. Quando si opera con dei cingoli allentati, questi tenderanno a scivolare verso la ruota motrice, facendola saltare nella propria sede o funzionando in situazioni precarie, con conseguente danneggiamento della sede.

Per verificare la tenuta dei cingoli, procedere come segue.

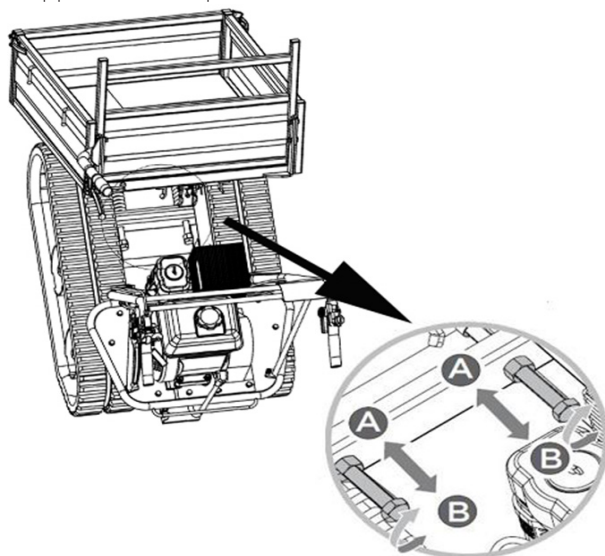
- Posizionare la macchina su una superficie piana con terreno compatto, meglio se su asfalto o pavimentazione in pietra.
- Sollevare la macchina e posizionarla su blocchi o supporti adatti a sostenere il peso della macchina stessa, in maniera tale che i cingoli siano a circa 100mm da terra.
- Misurare la linea mediana del cingolo rispetto alla linea orizzontale. La lettura non deve essere superiore a 10-15mm.

GUIDA PER L'UTENTE

MANTENIMENTO

Se la distanza dovesse risultare maggiore, procedere come segue.

- Utilizzare la maniglia di ribaltamento per rovesciare il cassone e posizionarlo su dei blocchi o dei supporti adatti al peso del cassone.



- Allentare il controdamo 'A'.
- Serrare il bullone 'B' fino a ripristinare il corretto serraggio.
- Fissare il bullone 'B' stringendo a fondo il controdamo 'A'.
- Riportare il cassone nella posizione originaria.



ATTENZIONE!

Le regolazioni del cingolo e dei freni sono collegate, quindi prestare la massima attenzione perché se il cingolo venisse serrato troppo, l'effetto frenante diminuirebbe.



ATTENZIONE!

Se il bullone di regolazione non dovesse essere più regolabile, potrebbe essere necessario sostituire i cingoli.

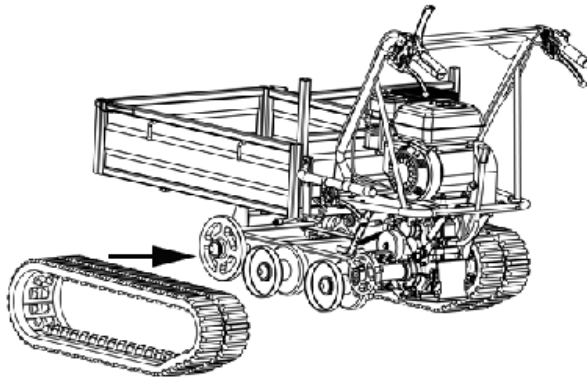
GUIDA PER L'UTENTE

MANUTENZIONE

Sostituzione dei cingoli

Controllare periodicamente le condizioni dei cingoli. Se un cingolo dovesse risultare incrinato o sfilacciato, deve essere sostituito il prima possibile.

- Allentare il Controdado 'A' e il bullone 'B' illustrati in 'Serraggio dei cingoli' per allentare i cingoli.



- Sfilare i vecchi cingoli e installare quelli nuovi
- Regolare il bullone 'B' per assicurare il corretto serraggio.
- Fissare il bullone 'B' serrando a fondo il controdado 'A'.



ATTENZIONE!

Quando si rimuovono o si installano dei cingoli, prestare la massima attenzione a non incastrare le dita tra il cingolo e la puleggia.

GUIDA PER L'UTENTE

MANUTENZIONE

Manutenzione del motore

Per le informazioni relative alla manutenzione del motore, consultare il Manuale del motore incluso in questo manuale. La sezione del manuale del motore fornisce delle informazioni dettagliate e un programma di manutenzione per l'esecuzione dei corretti passaggi.

Se il mini dumper non viene utilizzato per un periodo superiore a 30 giorni, seguire le istruzioni riportate qui di seguito per preparare l'unità ad essere conservata.

- Svuotare del tutto il serbatoio del carburante. Il carburante immagazzinato contenente etanolo o MTBE potrebbe iniziare a degradarsi dopo 30 giorni. Il carburante degradato ha un elevato contenuto di gomma che potrebbe intasare il carburatore e restringere il flusso di carburante.
- Avviare il motore e lasciarlo girare finché non si ferma. In questo modo si avrà la sicurezza che non rimanga carburante nel serbatoio. Far girare il motore fino all'arresto. In questo modo si eviterà la formazione di depositi all'interno del carburatore evitando possibili danni al motore.
- Quando il motore è ancora caldo, scaricare l'olio dal motore. Riempire con olio fresco della qualità raccomandata a pagina 297.
- Utilizzare dei panni puliti per pulire l'esterno della macchina e per mantenere le aperture di ventilazione libere da ostruzioni.



ATTENZIONE!

Per pulire le parti in plastica NON utilizzare detergenti forti o a base di petrolio. Le sostanze chimiche possono danneggiare le parti in plastica.

- Controllare sempre che non vi siano parti allentate o danneggiate. Riparare o sostituire le parti danneggiate e serrare le viti, i dadi o i bulloni allentati.
- Conservare l'unità su un terreno pianeggiante all'interno di un edificio pulito, asciutto e con una buona ventilazione.

GUIDA PER L'UTENTE



ATTENZIONE!

NON conservare mai la macchina con del carburante in un'area non ventilata in cui i fumi del carburante potrebbero raggiungere fiamme, scintille, fiamme pilota o altre fonti di innesco.

RISOLUZIONE DEI PROBLEMI

GUIDA ALLA RISOLUZIONE DEI PROBLEMI

COSA FARE SE DOVESSERO MANCARE DEI PEZZI NEL MIO ORDINE?

Se nel vostro ordine dovesse mancare qualche componente, contattare la nostra amichevole e disponibile squadra di assistenza clienti entro 7 giorni dalla ricezione del

Problema	Causa	Rimedio
Il motore non si avvia	<ol style="list-style-type: none"> 1. Filo della candela scollegato 2. Carburante esaurito. 3. Lo starter non è in posizione aperta. 4. Linea del carburante bloccata. 5. Candela sporca. 6. Motore ingolfato. 	<ol style="list-style-type: none"> 1. Collegare saldamente il filo della candela alla candela. 2. Rifornire di benzina fresca e pulita. 3. Per avviare a freddo, l'acceleratore deve essere posizionato sullo starter. 4. Pulire il tubo del carburante. 5. Pulire, regolare la distanza o sostituire. 6. Attendere qualche minuto prima di riavviare, ma non avviare l'accensione.
Il motore funziona in maniera irregolare.	<ol style="list-style-type: none"> 1. Filo della candela allentato. 2. L'unità funziona su CHOKE. 3. Linea del carburante ostruita o carburante stagnante. 4. Ventilazione ostruita. 5. Sistema di alimentazione con acqua o sporcizia. 6. Filtro dell'aria sporco. 7. Regolazione non corretta del carburatore. 	<ol style="list-style-type: none"> 1. Collegare e serrare il filo della candela. 2. Portare la leva dello starter su "OFF". 3. Pulire il tubo del carburante. Rifornire il serbatoio con benzina fresca e pulita. 4. Pulire i condotti di ventilazione. 5. Svuotare il serbatoio del carburante. Riempire con carburante fresco. 6. Pulire o sostituire il filtro dell'aria. 7. Consultare il Manuale del Motore.

RISOLUZIONE DEI PROBLEMI

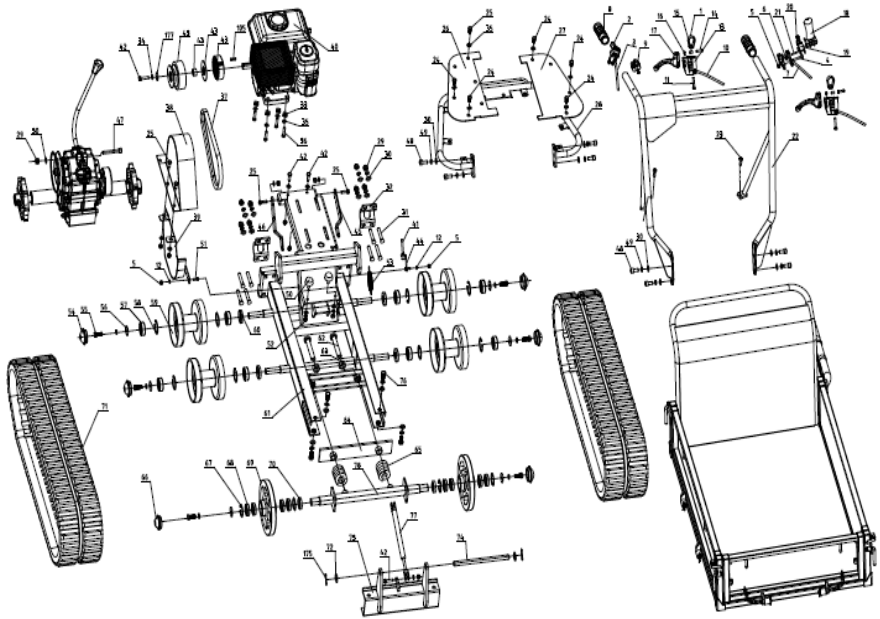
GUIDA ALLA RISOLUZIONE DEI PROBLEMI

Problema	Causa	Posibile solución
El motore si surriscalda	<ol style="list-style-type: none">1. Livello dell'olio motore basso.2. Filtro dell'aria sporco.3. Flusso dell'aria limitato.4. Il carburatore non è correttamente regolato.	<ol style="list-style-type: none">1. Riempire il serbatoio con olio adeguato.2. Pulire il filtro dell'aria.3. Rimuoverlo dall'alloggiamento e pulirlo.4. Consultare il Manuale del Motore a pagina 284.
Uno dei due cingoli è bloccato.	Potrebbero essere presenti corpi estranei tra i cingoli e il telaio.	Rimuovere il corpo estraneo.
La macchina non si muove quando il motore è in funzione.	<ol style="list-style-type: none">1. La marcia non è stata correttamente selezionata.2. I cingoli della guida non sono abbastanza serrati.	<ol style="list-style-type: none">1. Assicurarsi che la leva del cambio non si trovi tra due marce diverse.2. Serrare i cingoli della guida

PER QUALUNQUE ALTRO TIPO DI PROBLEMA, SI PREGA DI CONTATTARE IL NOSTRO TEAM DI ASSISTENZA CLIENTI.

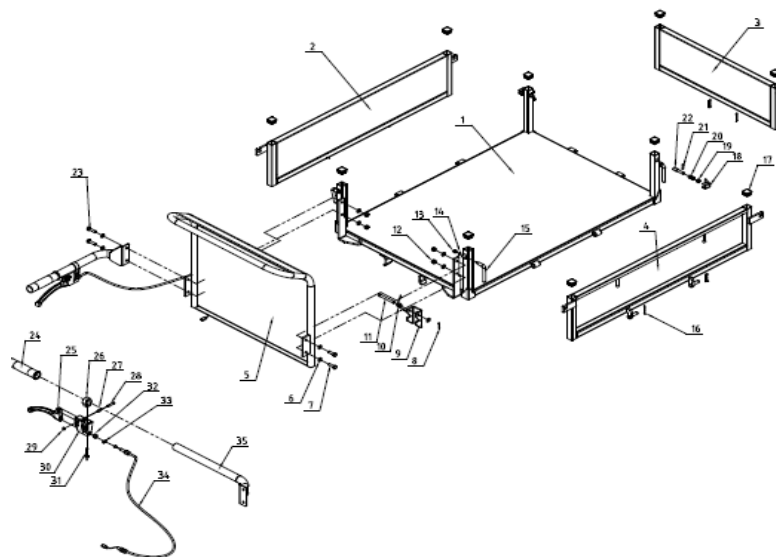
RIPARTIZIONE COMPONENTI

COMPONENTI DEL TRANSPORTER

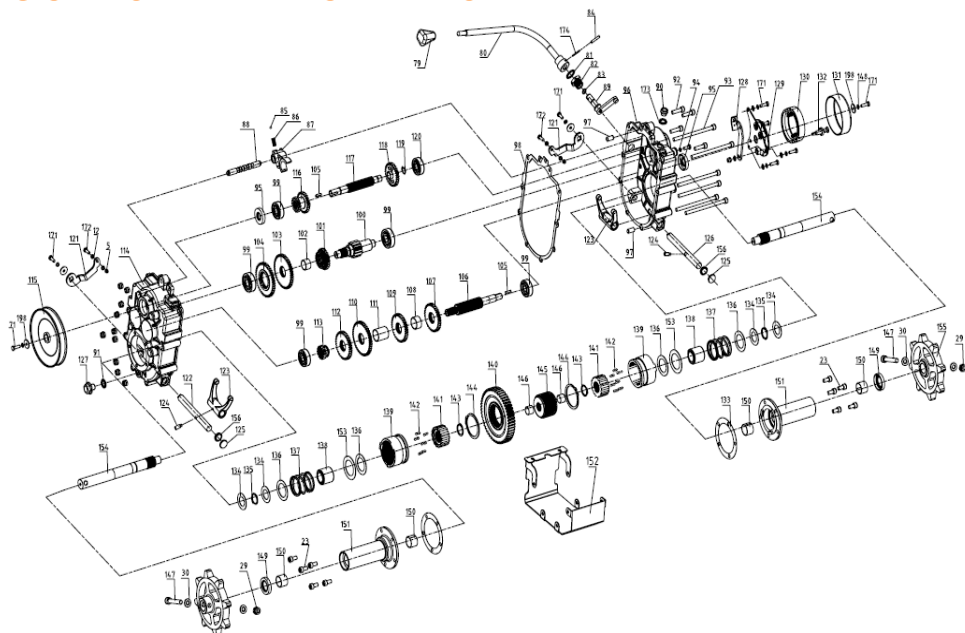


RIPARTIZIONE COMPONENTI

CASSONE



SCATOLA DEL CAMBIO



GUIDA PER L'UTENTE

MANUALE DEL MOTORE

SICUREZZA DEL MOTORE

INFORMAZIONI IMPORTANTI SULLA SICUREZZA

Gran parte degli incidenti causati dai motori può essere evitata seguendo tutte le istruzioni contenute in questo manuale e sul motore. Di seguito, verranno illustrati alcuni dei pericoli più comuni e il modo migliore per proteggere sia se stessi che chi si trova nei paraggi.

RESPONSABILITÀ DEL PROPRIETARIO

I motori sono progettati per fornire un funzionamento sicuro e affidabile se vengono utilizzati seguendo le istruzioni. Prima di utilizzare il motore, leggere e comprendere il presente manuale d'utilizzo. In caso contrario, si potrebbero verificare lesioni personali o danni alle apparecchiature.

È fondamentale saper arrestare istantaneamente il motore e comprendere il funzionamento di tutti i comandi.

Non permettere MAI a nessuno di utilizzare il motore senza le dovute conoscenze.

NON permettere ai bambini di avviare il motore. Tenere bambini e animali domestici lontani dall'area di lavoro.

EFFETTUARE IL RIFORNIMENTO CON CURA

La benzina è una sostanza estremamente infiammabile e i suoi vapori possono esplodere. Effettuare il rifornimento all'aperto, in un'area ben ventilata, a motore spento.

MAI fumare in presenza di benzina e tenere lontane eventuali fiamme e scintille. Conservare sempre la benzina in un contenitore approvato. In caso di sversamento di carburante, accertarsi che l'area sia ben asciutta prima di avviare il motore.

PERICOLO DI MONOSSIDO DI CARBONIO

I gas di scarico contengono monossido di carbonio velenoso. Evitare di inalare i gas di scarico.

Non permettere MAI che il motore giri in un garage chiuso o in un'area ristretta.

GUIDA PER L'UTENTE

MANUALE DEL MOTORE

SCARICHI CALDI

Durante il funzionamento, lo scarico diventa molto caldo e rimane caldo per un certo lasso di tempo anche dopo aver arrestato il motore. Fare attenzione a non toccare lo scarico quando è ancora caldo. Lasciare raffreddare il motore prima di riporlo al chiuso.

Per scongiurare rischi di incendio e garantire una ventilazione adeguata alle applicazioni fisse, tenere il motore ad almeno 1 metro dalle pareti dell'edificio e da altre apparecchiature quando in uso. NON porre mai oggetti infiammabili nelle vicinanze del motore.

ALTRE ATTREZZATURE

Consultare le istruzioni fornite con l'apparecchiatura messa in moto da questo motore per conoscere ulteriori precauzioni di sicurezza da osservare relative all'avvio, allo spegnimento e al funzionamento del motore o all'abbigliamento protettivo che potrebbe essere necessario per utilizzare questa apparecchiatura.

CAPACITÀ MOTORE

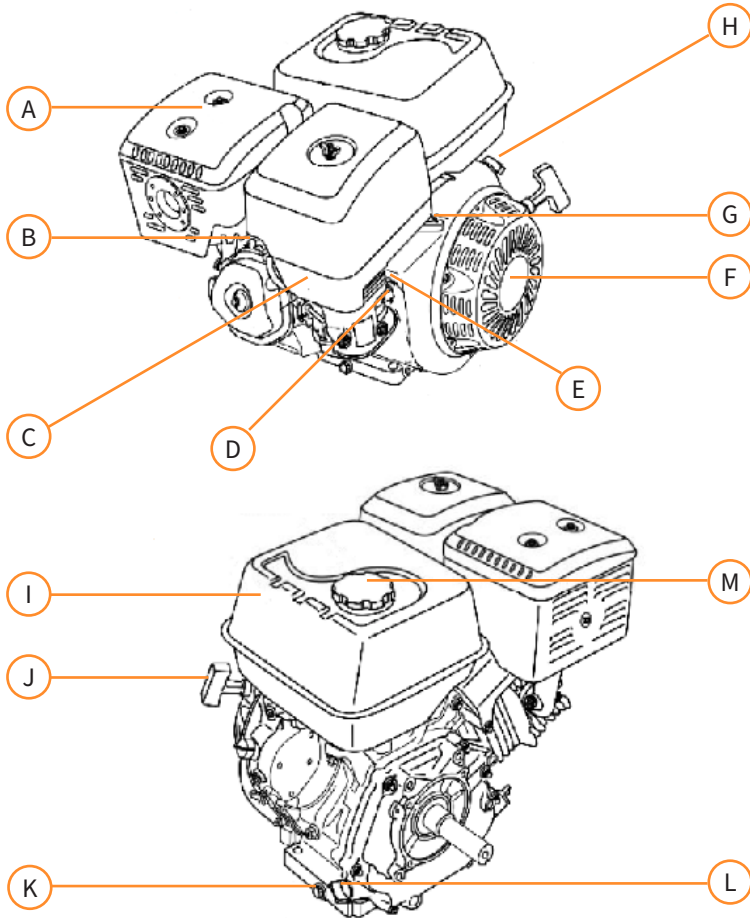
Capacità serbatoio carburante G200F	3,8 litros
Capacità dell'olio	0,6 litros
Olio Motore	10W-30

POSIZIONE DI COMPONENTI & CONTROLLI

A. SCARICO	I. SERBATOIO DEL CARBURANTE
B. CANDELA	J. IMPUGNATURA DELLO STARTER
C. PULITORE D'ARIA	K. TAPPO DI SCARICO DELL'OLIO
D. VALVOLA CARBURANTE	L. TAPPO DEL FILTRO DELL'OLIO / ASTINA DI LIVELLO
E. STARTER	M. TAPPO SERBATOIO CARBURANTE
F. STARTER A CORDA	
G. ACCELERATORE	
H. INTERRUTTORE DI ACCENSIONE	

GUIDA PER L'UTENTE

MANUALE DEL MOTORE



GUIDA PER L'UTENTE

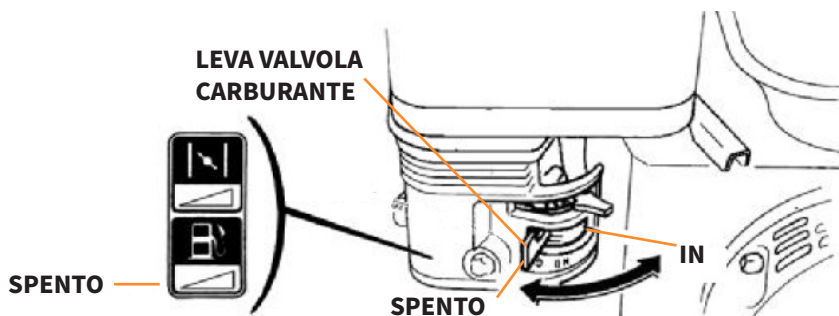
MANUALE DEL MOTORE

CONTROLES

LEVA DELLA VALVOLA DEL CARBURANTE

La valvola del carburante permette di aprire e chiudere il passaggio tra il serbatoio e il carburatore. Per far funzionare il motore, la leva della valvola del carburante deve essere posizionata su ON.

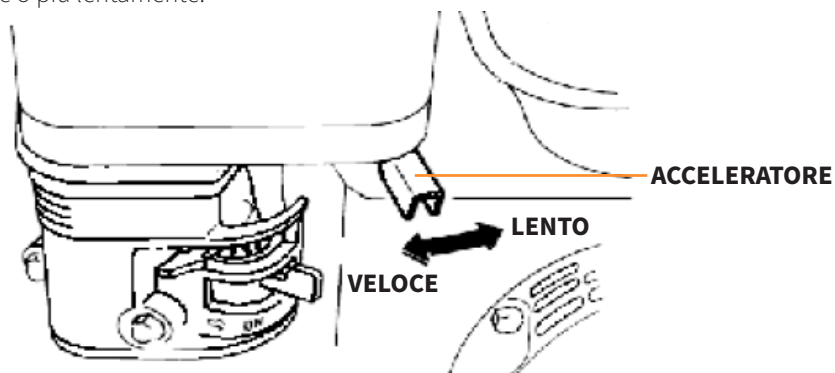
Quando il motore non viene utilizzato, lasciare la leva della valvola del carburante posizionata su OFF per evitare di ingolfare il carburatore e ridurre la possibilità di perdite di carburante.



LEVA DELL'ACCELERATORE

La leva dell'acceleratore permette di controllare la velocità del motore.

Posizionando la leva dell'acceleratore sulle posizioni mostrate qui sotto, il motore girerà più velocemente o più lentamente.

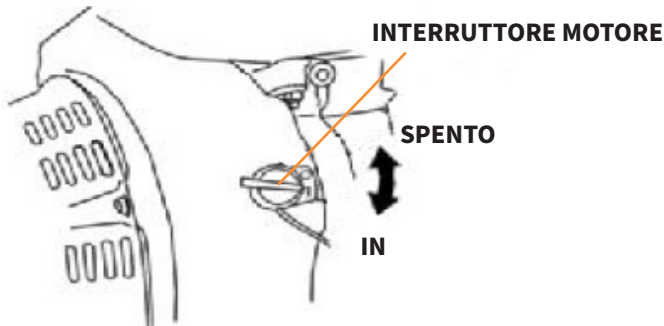


GUIDA PER L'UTENTE

MANUALE DEL MOTORE

INTERRUTTORE DEL MOTORE

L'interruttore del motore permette di attivare o disattivare il sistema di ignizione. L'interruttore del motore deve essere posizionato su ON per far funzionare il motore. Posizionando l'interruttore del motore su OFF, il motore si spegnerà.



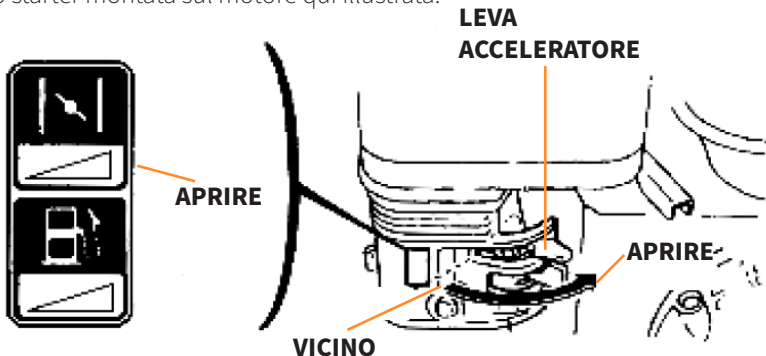
LEVA DELLO STARTER

La leva dello starter permette di aprire o chiudere la valvola dello starter nel carburatore.

In posizione CLOSE permette di arricchire la miscela di carburante per avviare il motore a freddo.

In posizione OPEN permette di avere la corretta miscela di carburante per il funzionamento dopo l'avvio e il riavvio di un motore già caldo.

Alcune applicazioni del motore utilizzano un comando dello starter remoto invece della leva dello starter montata sul motore qui illustrata.



GUIDA PER L'UTENTE

MANUALE DEL MOTORE

IMPUGNATURA DELLA CORDA DI AVVIAMENTO

Tirando l'impugnatura della corda di avviamento si azionerà l'auto-avvolgente per far avviare il motore.



VERIFICARE PRIMA DI OPERARE

IL MOTORE È PRONTO PER ESSERE AVVIATO?

Al fine di garantire la vostra sicurezza e per massimizzare la durata dell'apparecchiatura, è fondamentale prendersi qualche momento prima di azionare il motore per controllarne le condizioni. Assicurarsi di risolvere qualunque tipo di problema riscontrato o di farlo correggere dal vostro rivenditore di fiducia prima di mettere in funzione il motore.

ATTENZIONE!



Un'inadeguata manutenzione del motore o la mancata correzione dei problemi prima dell'avvio potrebbero causare dei malfunzionamenti che potrebbe portare a gravi lesioni.

Eseguire sempre un'ispezione pre-operativa prima di ogni avvio e riparare eventuali problemi.

Prima di effettuare i controlli pre-operativi, accertarsi che il motore sia in posizione piana e che l'interruttore del motore sia posizionato su OFF.

GUIDA PER L'UTENTE

MANUALE DEL MOTORE

VERIFICARE LE CONDIZIONI GENERALI DEL MOTORE

- Ispezionare intorno e sotto il motore per individuare eventuali segni di perdite di olio o di benzina.
- Togliere sporcizia o detriti in eccesso, specialmente intorno allo scarico e all'avviatore a corda.
- Verificare segni di danneggiamento.
- Verificare che tutti gli schermi e le coperture siano posizionati correttamente e che tutti i dadi, i bulloni e le viti siano perfettamente serrati.

ISPEZIONARE IL MOTORE

- Verificare che il livello dell'olio del motore sia corretto. Mettere in funzione il motore con un basso livello di olio potrebbe danneggiarlo.
- Il sistema di Allarme Olio (per i tipi di motore in cui è applicabile) fermerà automaticamente il motore prima che il livello dell'olio scenda al di sotto dei limiti di sicurezza. Ad ogni modo, per evitare di incorrere in uno spegnimento imprevisto, verificare sempre il livello dell'olio motore prima di avviare la macchina.
- Verificare lo stato del filtro dell'aria. Un filtro dell'aria sporco limiterà il flusso dell'aria al carburatore, riducendo le prestazioni del motore.
- Controllare il livello del carburante. Avviare la macchina con il serbatoio pieno, permetterà di eliminare o ridurre le interruzioni al funzionamento per il rifornimento.

COMPRUEBE LOS EQUIPOS ALIMENTADOS POR ESTE MOTOR

- Revise las instrucciones provistas con el equipo accionado por este motor para conocer las precauciones y los procedimientos que deben seguirse antes de arrancar el motor.

GUIDA PER L'UTENTE

MANUALE DEL MOTORE

PRECAUZIONI PER UN FUNZIONAMENTO IN SICUREZZA

Prima di avviare il motore per la prima volta, leggere le INFORMAZIONI IMPORTANTI SULLA SICUREZZA e il capitolo intitolato PRIMA DELL'UTILIZZO. titulado ANTES DE LA OPERACIÓN.



ATTENZIONE!

Il monossido di carbonio è un gas tossico. Respirarlo può causare perdita di conoscenza e persino la morte. Evitare aree o azioni che possano esporre al monossido di carbonio.

Consultare le istruzioni fornite insieme all'apparecchiatura messa in moto da questo motore per conoscere le precauzioni di sicurezza da osservare durante l'avvio, lo spegnimento o il funzionamento del motore.

AVVIAMENTO DEL MOTORE

- Posizionare la leva della valvola del carburante sulla posizione ON.
- Per l'avvio di un motore a freddo, posizionare la leva dello starter su CLOSE. Per riavviare un motore già caldo, lasciare la leva dello starter sulla posizione OPEN.
- Spostare la leva dell'acceleratore dalla posizione SLOW e spostarla di circa 1/3 verso la posizione FAST.
- Posizionare l'interruttore del motore sulla posizione ON.
- Tirare leggermente l'impugnatura dello starter finché non si avverte una certa resistenza, quindi tirare con decisione. Accompagnare delicatamente l'impugnatura dello starter.
- Se la leva dello starter è stata spostata sulla posizione CLOSE per avviare il motore, spostarla gradualmente sulla posizione OPEN man mano che il motore si riscalda.

GUIDA PER L'UTENTE

MANUALE DEL MOTORE

ARRESTO DEL MOTORE

Per fermare il motore in caso di emergenza, basterà semplicemente portare l'interruttore del motore sulla posizione OFF. In condizioni normali, invece, seguire la seguente procedura.

- Posizionare la leva dell'acceleratore su SLOW.
- Posizionare l'interruttore del motore su OFF.
- Ruotare la leva della valvola del carburante su OFF.

IMPOSTAZIONE DELLA VELOCITÀ DEL MOTORE

- Posizionare la leva dell'acceleratore al regime desiderato.
- Alcune applicazioni di questo motore sfruttano un comando di accelerazione remoto al posto della leva dell'acceleratore montata sul motore mostrata qui.
- Per le raccomandazioni sulla velocità del motore, consultare le istruzioni fornite con l'apparecchiatura azionata da questo motore.

GUIDA PER L'UTENTE

MANUTENZIONE DEL MOTORE

MANUTENZIONE

Una buona manutenzione è fondamentale per mantenere un funzionamento sicuro, economico e privo di problemi. Inoltre, contribuisce a ridurre l'inquinamento atmosferico.



ATTENZIONE!

La mancata osservanza di queste istruzioni e delle precauzioni relative alla manutenzione potrebbe causare gravi lesioni o morte. Seguire sempre le procedure e le precauzioni riportate sul manuale d'uso.

Per aiutare l'utente a svolgere una corretta manutenzione del proprio motore, le pagine seguenti includono un programma di manutenzione, delle procedure di ispezione di routine e delle semplici procedure di manutenzione con strumenti manuali di base.

Ulteriori interventi di assistenza complessi o che richiedono strumenti specifici devono essere gestiti da professionisti, da un tecnico o da un altro meccanico qualificato.

Il programma di manutenzione è applicabile alle normali condizioni di funzionamento. Se il motore viene utilizzato in condizioni insolite, come ad esempio un utilizzo prolungato, ad alto carico o ad alte temperature, o se viene utilizzato in condizioni insolitamente umide o polverose, consultare il concessionario al fine di ricevere raccomandazioni relative alle esigenze e all'utilizzo specifico.

PRECAUZIONI SULLA SICUREZZA

Assicurarsi che il motore sia spento prima di iniziare ogni tipo di intervento di manutenzione o riparazione. In questo modo si eviterà una serie di potenziali pericoli:

- Avvelenamento da monossido di carbonio dovuto allo scarico del motore. Assicurarsi che vi sia un'adeguata ventilazione ogni volta che il motore viene utilizzato.
- Ustioni causate da componenti incandescenti. Lasciare che il motore e l'impianto di scarico siano completamente freddi prima di maneggiarli.
- Lesioni causate da parti in movimento. NON avviare mai il motore se non si è a conoscenza delle corrette istruzioni.

GUIDA PER L'UTENTE

MANUTENZIONE DEL MOTORE

Prima di iniziare, leggere le seguenti istruzioni e assicurarsi di possedere gli strumenti e le competenze necessarie.

Al fine di ridurre la possibilità di incendi o esplosioni, prestare la massima attenzione quando si lavora in prossimità di benzina. Per la pulizia delle componenti, utilizzare solamente un solvente non infiammabile e non della benzina. Tenere sigarette, scintille e fiamme lontane da qualunque componente possa contenere del carburante.

Al fine di garantire la massima qualità e affidabilità, utilizzare solamente ricambi nuovi e originali o equivalenti per eventuali riparazioni e sostituzioni.

PROGRAMA DE MANTENIMIENTO

TEMPO DI SERVIZIO REGOLARE Effettuato mensilmente o nelle ore orari di funzionamento specificati, a seconda di quale evento si verifichi per primo		Ogni Indossare	Primo mese o 20 Hrs	Ogni 3 mesi o 50 Hrs	Ogni 3 mesi o 100 Hrs	Ogni anno o 300 Hrs
Olio motore	Controllare il livello	○				
	Modifica		○		○	
Filtro de aire	Controllo	○				
	Pulito			○(1)		
	Sostituire					○ ☆
Tazza di sedimenti	Pulito				○	
Candela	Controlla-Pulisci				○	
	Sostituire					○
Rallentatore	Pulito					○(2)
Set di valvole	Controlla-Regola					○(2)
Serbatoio carburante e filtro	Pulito					○(2)
Camera di combustione	Pulito	Dopo ogni 300 Hrs (2)				
Linea del carburante	Controllo	Ogni 2 anni (sostituire se necessario) (2)				

GUIDA PER L'UTENTE

MANUTENZIONE DEL MOTORE

☆ Sostituire solamente il tipo di elemento filtrante in carta.

(1) Eseguire la manutenzione più frequentemente se si utilizza la macchina in aree polverose.

(2) La manutenzione di questi elementi deve essere effettuata dal rivenditore, a meno che non si disponga della strumentazione adeguata e non si sia meccanici esperti. Per le procedure di assistenza, consultare il manuale.

GUIDA PER L'UTENTE

MANUTENZIONE DEL MOTORE

RIFORNIMENTO

Capacità del serbatoio del carburante G200F: 3.8 litri

Con il motore fermo, rimuovere il tappo del serbatoio e verificare il livello del carburante. Se il livello è basso, riempire il serbatoio.

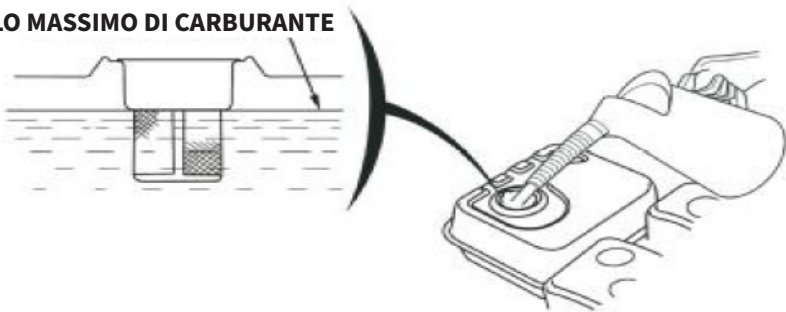
ATTENZIONE!



La benzina è altamente infiammabile ed esplosiva. Maneggiando del carburante è possibile ustionarsi o ferirsi gravemente.

- Fermare il motore e tenere la macchina lontana da calore, scintille e fiamme.
- Maneggiare il combustibile solamente all'aperto.
- Pulire immediatamente le eventuali fuoriuscite.

LIVELLO MASSIMO DI CARBURANTE



Effettuare le procedure di rifornimento presso un'area ben ventilata prima di avviare il motore. Se il motore è stato spento da poco, lasciarlo raffreddare. Effettuare il rifornimento prestando la massima attenzione al fine di evitare di versare accidentalmente il carburante. Non riempire al di sopra della spalla del filtro del carburante. Dopo il rifornimento, serrare saldamente il tappo del serbatoio.

Non rifornire MAI il motore all'interno di un edificio dove i fumi della benzina possano raggiungere fiamme o scintille. Tenere la benzina lontana dalle luci degli apparecchi, dai barbecue, dagli apparecchi elettrici, dagli utensili elettrici, ecc.

Il carburante versato non rappresenta soltanto un pericolo di incendio, ma causa anche danni all'ambiente. Pulire immediatamente eventuali fuoriuscite.

GUIDA PER L'UTENTE

MANUTENZIONE DEL MOTORE

RACCOMANDAZIONI RELATIVE AL CARBURANTE

Utilizzare benzina senza piombo con classificazione alla pompa E10.

Questi motori sono certificati per funzionare con benzina senza piombo. La benzina senza piombo produce meno depositi all'interno del motore e delle candele e prolunga la durata del sistema di scarico.

Non utilizzare MAI benzina in cattivo stato di conservazione o contaminata o miscele olio/benzina. Evitare che sia presente sporcizia o acqua all'interno del serbatoio del carburante.

Occasionalmente è possibile udire un leggero 'colpo di scintilla' o 'suono metallico' (rumore metallico) durante il funzionamento con carichi pesanti. Questo non rappresenta un motivo di preoccupazione.

Se si notano colpi di scintille o rumori metallici quando il motore è a regime costante, sotto carico normale, allora cambiare marca di benzina. Se i colpi di scintilla o i rumori metallici persistono, rivolgersi ad un rivenditore autorizzato.

GUIDA PER L'UTENTE

MANUTENZIONE DEL MOTORE

VERIFICA DEL LIVELLO DELL'OLIO MOTORE

Controllare il livello dell'olio motore a motore spento e in posizione orizzontale.

- Rimuovere il tappo di rifornimento/astina di livello e pulirla.

TAPPO DI RIEMPIMENTO/ASTA DI LIVELLO



- Inserire e rimuovere l'astina di livello senza avvitare nel bocchettone di riempimento. Verificare il livello dell'olio indicato sull'astina.
- Se il livello dell'olio risulta essere basso, rabboccare fino al bordo del foro di riempimento con dell'olio raccomandato.
- Avvitare saldamente il tappo di rifornimento/asta di livello.

Far funzionare il motore con un livello di olio basso potrebbe causare danni al motore.

GUIDA PER L'UTENTE

MANUTENZIONE DEL MOTORE

CAMBIO DELL'OLIO MOTORE

Scaricare l'olio usato quando il motore è tiepido. L'olio caldo si scaricherà rapidamente e completamente.

- Posizionare un contenitore adatto sotto il motore per raccogliere l'olio usato, quindi rimuovere il tappo di riempimento/astina e il tappo di scarico.
- Lasciare che l'olio usato venga scolato completamente, quindi reinserire il tappo di scarico e serrarlo saldamente.

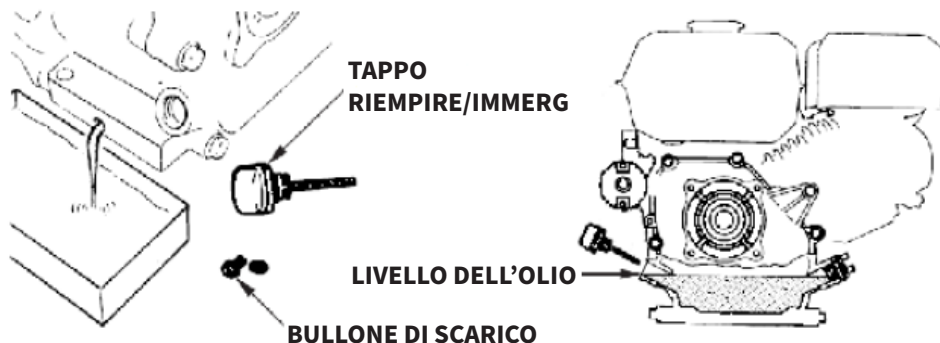
Smaltire l'olio motore usato in modo rispettoso dell'ambiente. Si consiglia di portare l'olio usato in un contenitore sigillato presso un centro di riciclaggio locale.

NON gettarlo insieme ai rifiuti comuni, né versarlo a terra o in uno scarico.

- Tenendo il motore in posizione orizzontale, rabboccare fino al bordo esterno del foro di riempimento dell'olio utilizzando l'olio consigliato.
- Avvitare saldamente il tappo di rifornimento/astina di livello.

Far funzionare il motore con un livello di olio basso potrebbe causare danni al motore. Il sistema di Allarme Olio (per i tipi di motore in cui è applicabile) fermerà automaticamente il motore prima che il livello dell'olio scenda al di sotto dei limiti di sicurezza.

Ad ogni modo, per evitare di incorrere in uno spegnimento imprevisto, riempire fino al limite superiore e verificare regolarmente il livello dell'olio.



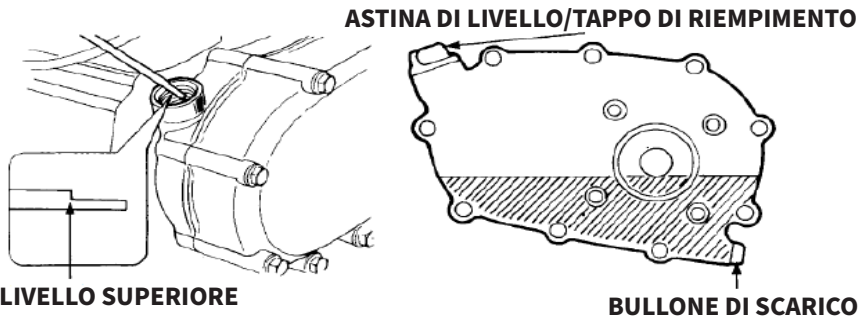
GUIDA PER L'UTENTE

MANUTENZIONE DEL MOTORE

OLIO PER RIDUTTORI

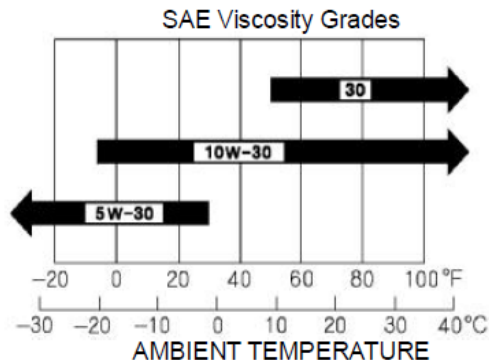
- Rimuovere il tappo di riempimento dell'olio e pulire l'astina di livello.
- Inserire l'astina di livello nel bocchettone di riempimento, senza avvitarla.
- Se il livello dovesse risultare basso, rabboccare fino al segno di livello superiore utilizzando lo stesso olio raccomandato per il motore.

Capacità dell'olio di G200 - B: 500 cc



ISPEZIONE DEL FILTRO DELL'ARIA

Un filtro dell'aria sporco limiterà il flusso d'aria verso il carburatore, riducendo le prestazioni del motore, causando una rapida usura ed eventuali danni al motore. Se si utilizza il motore in aree molto polverose, pulire il filtro dell'aria più spesso di quanto specificato nel PROGRAMMA DI MANUTENZIONE.



GUIDA PER L'UTENTE

MANUTENZIONE DEL MOTORE

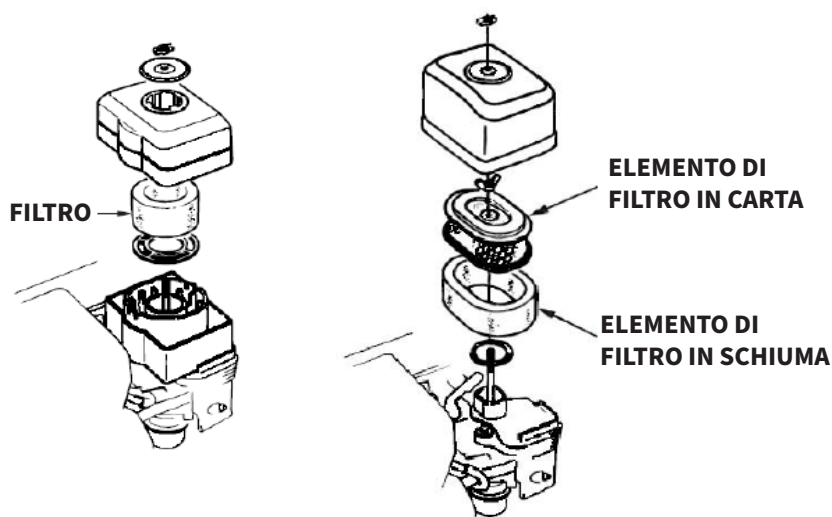
ISPEZIONE DEL FILTRO DELL'ARIA

Rimuovere il coperchio del filtro dell'aria e ispezionare il filtro.

Pulire o sostituire gli elementi filtranti sporchi.

Sostituire sempre gli elementi filtranti danneggiati.

Se dotato di filtro dell'aria a bagno d'olio, controllare anche il livello dell'olio.



ISPEZIONE DEL FILTRO DELL'ARIA

Un filtro dell'aria sporco limiterà il flusso d'aria verso il carburatore, riducendo le prestazioni del motore, causando una rapida usura ed eventuali danni al motore.

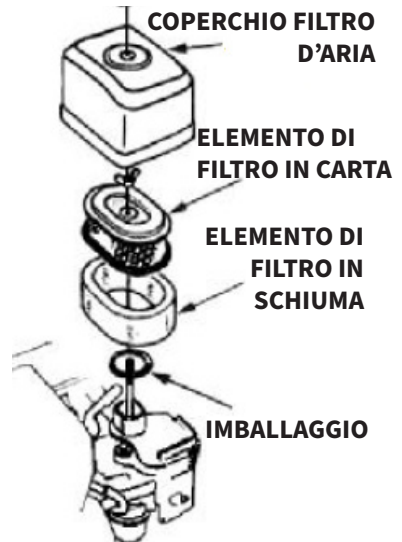
Se si utilizza il motore in aree molto polverose, pulire il filtro dell'aria più spesso di quanto specificato nel PROGRAMMA DI MANUTENZIONE.

GUIDA PER L'UTENTE

MANUTENZIONE DEL MOTORE

TIPI DI ELEMENTI A DOPPIO FILTRO

- Rimuovere il dado ad alette dal coperchio del filtro dell'aria e togliere il coperchio del filtro dell'aria.
- Rimuovere il dado ad alette dal filtro dell'aria e togliere il filtro.
- Rimuovere il filtro in schiuma dal filtro in carta.
- Ispezionare entrambi gli elementi del filtro dell'aria e sostituirli nel caso in cui fossero danneggiati. Sostituire sempre l'elemento filtrante dell'aria in carta all'intervallo previsto.
- Pulire gli elementi filtranti dell'aria se possono essere riutilizzati.



Elemento filtrante dell'aria in carta: Percuotere più volte l'elemento filtrante su una superficie dura per rimuovere lo sporco o soffiare con aria compressa [non superiore a 30 psi (207 kPa)] attraverso l'elemento filtrante dall'interno. Non provare a rimuovere la sporcizia con una spazzola; la spazzolatura sposterebbe la sporcizia nelle fibre.

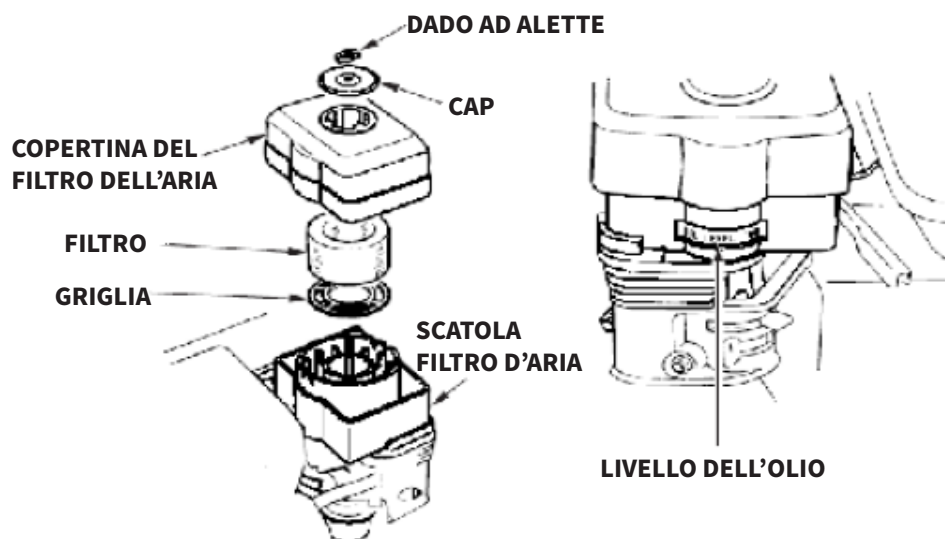
- Elemento filtrante dell'aria in schiuma: Pulire con acqua calda e sapone, risciacquare e lasciare asciugare con cura. Oppure pulire con un solvente non infiammabile e lasciare asciugare. Immergere l'elemento filtrante in olio motore pulito, quindi spremere tutto l'olio in eccesso. Il motore fumerà all'avviamento in caso di troppo olio nella schiuma.
- Rimuovere la sporcizia dall'interno della base e dal coperchio del filtro dell'aria, usando un panno umido. Fare attenzione a non far penetrare lo sporco nel condotto dell'aria che porta al carburatore.
- Posizionare l'elemento filtrante dell'aria in schiuma sopra l'elemento in carta e riposizionare il filtro dell'aria assemblato. Controllare che la guarnizione sia posizionata sotto il filtro dell'aria. Serrare saldamente il dado ad alette del filtro dell'aria.
- Riposizionare il coperchio del filtro dell'aria e serrare saldamente il dado ad alette del coperchio.

GUIDA PER L'UTENTE

MANUTENZIONE DEL MOTORE

TIPO DI BAGNO A OLIO

- Rimuovere il dado ad alette e togliere il coperchio del filtro dell'aria.
- Rimuovere il filtro dell'aria dal coperchio, lavare il coperchio e il filtro con acqua calda e sapone, risciacquare e lasciare asciugare con cura. Oppure pulire con un solvente non infiammabile e lasciare asciugare.
- Immergere il filtro in olio motore pulito, quindi eliminare tutto l'olio in eccesso. Il motore fumerà in caso di troppo olio nella schiuma.
- Svuotare l'olio utilizzato dalla scatola del filtro dell'aria, lavare lo sporco accumulato con un solvente non infiammabile e lasciare che la scatola si asciughi.
- Riempire la scatola del filtro dell'aria fino al segno di OIL LEVEL utilizzando lo stesso tipo di olio raccomandato per il motore. Capacità dell'olio: 2.0 onces USA (60 cm³)
- Riposizionare il filtro dell'aria e serrare saldamente il dado ad alette.



GUIDA PER L'UTENTE

MANUTENZIONE DEL MOTORE



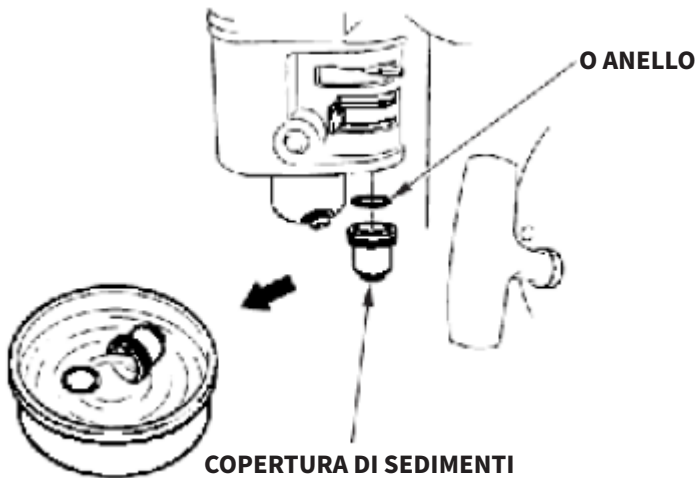
ATTENZIONE!

La benzina è altamente infiammabile ed esplosiva. Maneggiando del carburante è possibile ustionarsi o ferirsi gravemente.

- Fermare il motore e tenere la macchina lontana da calore, scintille e fiamme.
- Maneggiare il combustibile solamente all'aperto.
- Pulire immediatamente le eventuali fuoriuscite.

PULIZIA DELLA COPPA DI SEDIMENTAZIONE

- Posizionare la valvola del carburante in posizione OFF, quindi rimuovere la coppa di sedimentazione del carburante e l'anello a O.
- Lavare la coppa di sedimentazione e l'O-ring usando un solvente non infiammabile e lasciare accuratamente.
- Posizionare l'anello a O nella valvola del carburante e installare la coppa di sedimentazione. Serrare saldamente la coppa di sedimentazione.
- Portare la valvola del carburante sulla posizione ON e verificare che non vi siano perdite. Sostituire l'O-ring in caso di perdite.

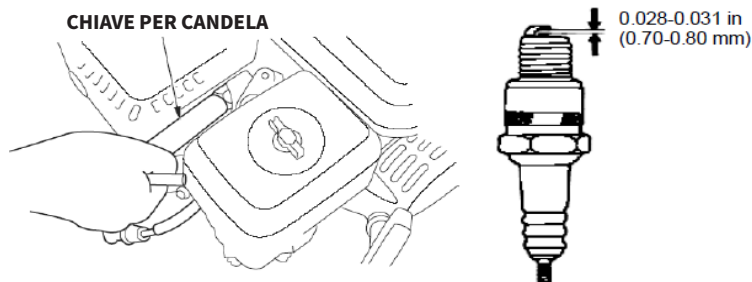


GUIDA PER L'UTENTE

MANUTENZIONE DEL MOTORE

MANUTENZIONE DELLE CANDELE

- Candele di accensione consigliate: F7RTC o equivalenti. Una candela non adatta potrebbe causare danni al motore.
- Scollegare il cappuccio della candela e rimuovere la sporcizia intorno alla candela.
- Rimuovere la candela utilizzando una chiave per candele.



- Misurare la distanza tra gli elettrodi della candela tramite un calibro adatto.
- Lo spazio dovrebbe essere di 0.028 in - 0.031 in (0.70 mm – 0.80 mm). Se necessario, correggere lo spazio piegando con attenzione l'elettrodo laterale.
- Installare la candela con attenzione, a mano, per evitare una filettatura incrociata.
- Dopo l'inserimento della candela, serrarla utilizzando una chiave per candele.

Se si sta reinstallando una candela usata, stringere di 1/8 - 1/4 di giro dopo la sede della candela.

Se si installa una nuova candela, serrare di 1/2 giro dopo la sede della candela.

- Riposizionare il cappuccio della candela.

GUIDA PER L'UTENTE

MANUTENZIONE DEL MOTORE



ATTENZIONE!

Una candela allentata potrebbe surriscaldare e danneggiare il motore. Un serraggio eccessivo della candela potrebbe danneggiare la filettatura della testata.

REGOLAZIONE DEL MINIMO

- Avviare il motore all'aperto e lasciarlo riscaldare fino alla corretta temperatura di esercizio.
- Posizionare la leva dell'acceleratore nella posizione più lenta.
- Ruotare la vite di arresto dell'acceleratore per ottenere il regime minimo standard.
Regime del minimo standard: 1.400 ± 150 giri/min.

VITE DI FERMO ACCELERATORE



GUIDA PER L'UTENTE

CONSERVAZIONE / TRASPORTO

CONSERVAZIONE DEL MOTORE

PREPARAZIONE ALLA CONSERVAZIONE

Una corretta preparazione alla conservazione è essenziale per mantenere il motore in buone condizioni e privo di problemi. Le seguenti operazioni contribuiranno a evitare che la ruggine e la corrosione compromettano il funzionamento e l'aspetto del motore facilitandone l'avviamento dopo la conservazione.

PULIZIA

Se il motore è stato utilizzato, lasciarlo raffreddare per almeno mezz'ora prima di pulirlo. Pulire tutte le superfici esterne, ritoccare la vernice danneggiata e ricoprire con un leggero strato di olio tutte le aree che potrebbero arrugginire.



ATTENZIONE!

Utilizzare un tubo da giardino o attrezzature per il lavaggio a pressione potrebbe far infiltrare l'acqua nel filtro dell'aria o nell'apertura della marmitta. L'acqua all'interno del filtro dell'aria impregnerà lo stesso, e l'acqua che attraversa il filtro dell'aria o la marmitta potrebbe entrare all'interno del cilindro, causando danni.



ATTENZIONE!

L'acqua, a contatto con il motore caldo, potrebbe causare danni. Se il motore è stato acceso, lasciarlo raffreddare per almeno mezz'ora prima di lavarlo.

CARBURANTE

La benzina si ossida e si deteriora quando la macchina viene conservata. La benzina vecchia potrebbe causare difficoltà nell'avviamento lasciando depositi di gomma che intaserebbero l'impianto di alimentazione. Se la benzina nel motore dovesse deteriorarsi durante il rimessaggio, potrebbe essere necessario far revisionare o sostituire il carburatore e gli altri componenti dell'impianto di alimentazione.

GUIDA PER L'UTENTE

CONSERVAZIONE / TRASPORTO

Il periodo di tempo durante il quale la benzina può essere lasciata nel serbatoio e nel carburatore senza che vengano causati problemi di funzionamento varia in base a fattori quali la miscela di benzina, temperature di stoccaggio e riempimento parziale o totale del serbatoio. L'aria presente all'interno di un serbatoio parzialmente pieno favorirà il deterioramento del carburante. A temperature di conservazione molto alte si accelererà il processo di deterioramento del carburante. Tali problemi di deterioramento del carburante possono verificarsi nel giro di pochi mesi, o anche meno, se la benzina non era fresca al momento del rifornimento del serbatoio.

La Garanzia Limitata del Distributore non copre i danni all'impianto di alimentazione o eventuali problemi relativi alle prestazioni del motore derivanti da una preparazione alla conservazione non accurata.

È possibile prolungare la durata di conservazione del carburante aggiungendo uno stabilizzatore formulato a tale scopo, oppure evitando i problemi derivanti dal deterioramento del carburante svuotando il serbatoio e il carburatore.

AGGIUNTA DI UNO STABILIZZATORE DI CARBURANTE PER PROLUNGARNE IL PERIODO DI CONSERVAZIONE

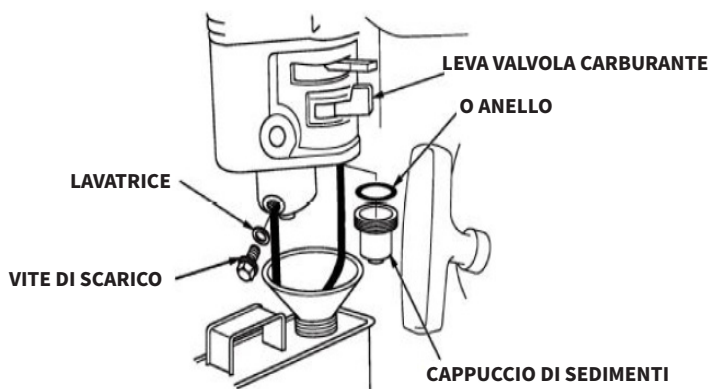
- Quando si aggiunge uno stabilizzatore di carburante, riempire il serbatoio con benzina fresca. Se riempito solo in maniera parziale, l'aria nel serbatoio favorirà il deterioramento del carburante durante la conservazione. Se hai intenzione di conservare un contenitore di benzina per il rifornimento, assicurarsi che questo contenga solamente benzina fresca.
- Aggiungere lo stabilizzatore del carburante seguendo le istruzioni del produttore.
- Dopo aver aggiunto uno stabilizzatore di carburante, far girare il motore all'aperto per 10 minuti per assicurarsi che la benzina trattata abbia sostituito quella non trattata all'interno del carburatore.
- Fermare il motore e spostare la valvola del carburante sulla posizione OFF.

GUIDA PER L'UTENTE

CONSERVAZIONE / TRASPORTO

SVUOTAMENTO DEL SERBATOIO E DEL CARBURATORE

- Posizionare un contenitore di benzina approvato sotto il carburatore e utilizzare un imbuto per evitare sversamenti.
- Rimuovere il bullone di scarico del carburatore e la coppa di sedimentazione e spostare la leva della valvola del carburante su ON.
- Dopo aver scaricato tutto il carburante nel contenitore, riposizionare il bullone di scarico e la coppa di sedimentazione. Serrare il tutto saldamente.



PRECAUZIONI DURANTE LA CONSERVAZIONE

- Cambiare l'olio motore.
- Rimuovere le candele.
- Versare un cucchiaino (5-10 cc) di olio motore pulito nel cilindro.
- Tirare più volte la corda di avviamento per distribuire l'olio all'interno del cilindro.
- Reinstallare le candele.

GUIDA PER L'UTENTE

CONSERVAZIONE / TRASPORTO

- Tirare lentamente la corda di avviamento finché non si avvertirà una certa resistenza. In tal modo, le valvole si chiuderanno così che l'umidità non possa entrare nel cilindro del motore. Riaccompnare delicatamente la corda di avviamento.

Se il motore viene conservato con della benzina nel serbatoio e nel carburatore, è importante ridurre il rischio di innesco dei vapori di benzina. Scegliere un'area di conservazione ben ventilata, lontana da ogni apparecchio che funzioni con una fiamma, come un forno, uno scaldabagno o un'asciugatrice. Evitate anche le aree in cui sono presenti motori elettrici che possano produrre scintille o in cui vi è utilizzo di utensili elettrici.

Se possibile, evitate le aree di conservazione altamente umide, poiché favoriscono la produzione di ruggine e la corrosione.

A meno che non sia stato scaricato tutto il carburante dal serbatoio, lasciare la leva della valvola del carburante su OFF così da ridurre la possibilità di perdite di carburante.

Lasciare l'apparecchiatura in modo tale che il motore sia in posizione piana. L'inclinazione potrebbe causare perdite di carburante o di olio.

Quando il motore e l'impianto di scarico sono freddi, coprire il motore per evitare accumuli di polvere. Il motore e l'impianto di scarico caldi possono incendiare o fondere alcuni materiali. Non usare fogli in plastica come copertura per la polvere. Una copertura non porosa trattiene l'umidità intorno al motore, favorendo ruggine e corrosione.

Se il motore possiede una batteria per l'avviamento elettrico, ricaricare la batteria una volta al mese mentre il motore è conservato. Ciò contribuirà a prolungare la durata della batteria stessa.

Si está equipado con una batería para arranque eléctrico, recargue la batería una vez al mes mientras el motor está almacenado. Esto ayudará a prolongar la vida útil de la batería.

GUIDA PER L'UTENTE

CONSERVAZIONE / TRASPORTO

RITORNARE AL NORMALE UTILIZZO DOPO LA CONSERVAZIONE

Effettuare le dovute verifiche al motore come descritto nel capitolo VERIFICARE PRIMA DI OPERARE.

Se il carburante è stato scaricato durante la preparazione precedente alla conservazione, rifornire il serbatoio di benzina fresca. Se è stato conservato un contenitore di benzina per un futuro rifornimento, accertarsi che contenga solamente benzina fresca. La benzina con il tempo tende a ossidarsi e deteriorarsi, rendendo difficile l'avvio del motore.

Se i cilindri sono stati ricoperti di olio durante la preparazione precedente alla conservazione, il motore, al riavvio, potrebbe produrre del fumo per qualche minuto. Ciò è normale.

TRASPORTO

Se il motore è stato messo in funzione, lasciarlo raffreddare per almeno 15 minuti prima di caricare l'attrezzatura a motore sul veicolo di trasporto. Un motore ed un sistema di scarico caldi possono causare ustioni e incendiare alcuni materiali.

Durante il trasporto, posizionare il motore in posizione piana per ridurre la possibilità di perdite di carburante. Portare la leva della valvola del carburante su OFF.

GUIDA ALLA RISOLUZIONE DEI PROBLEMI

COSA FARE SE MANCANO DEI COMPONENTI NEL MIO ORDINE?

Se nel vostro ordine dovesse mancare qualche componente, contattare la nostra amichevole e disponibile squadra di assistenza clienti entro 7 giorni dalla ricezione del pacco.

RISOLUZIONE DEI PROBLEMI

GUIDA ALLA RISOLUZIONE DEI PROBLEMI

IL MOTORE NON SI AVVIA	POSSIBILE CAUSA	CORREZIONE
Avviamento elettrico: controllare la batteria	Batteria scarica.	Ricaricare la batteria.
Controllare il posizionamento dei controlli	Valvola carburante su OFF	Spostare la leva su ON
	Starter su OPEN	Spostare la leva su CLOSE se il motore non è caldo
	Interruttore del motore su OFF	Portare l'interruttore del motore su ON
Controllare il carburante.	Carburante esaurito	Rifornire di carburante
	Carburante scadente; motore conservato senza aver trattato o scaricato la benzina, o rifornito di benzina di scarsa qualità.	Svuotare il serbatoio e il carburatore. Rifornire con benzina fresca.
Rimuovere e ispezionare le candele	Candele difettose, sporche o non correttamente tarate.	Distanziare o sostituire le candele.
	Candele impregnate di carburante (motore ingolfato).	Pulire e reinstallare le candele. Avviare il motore con la leva dell'acceleratore in posizione FAST.
Portare il motore presso un rivenditore autorizzato o consultare il manuale.	Filtro de combustible obstruido, mal funcionamiento del carburador, mal funcionamiento del encendido, válvula atascada, etc.	Sostituire o riparare i componenti difettosi, se necessario

RISOLUZIONE DEI PROBLEMI

GUIDA ALLA RISOLUZIONE DEI PROBLEMI

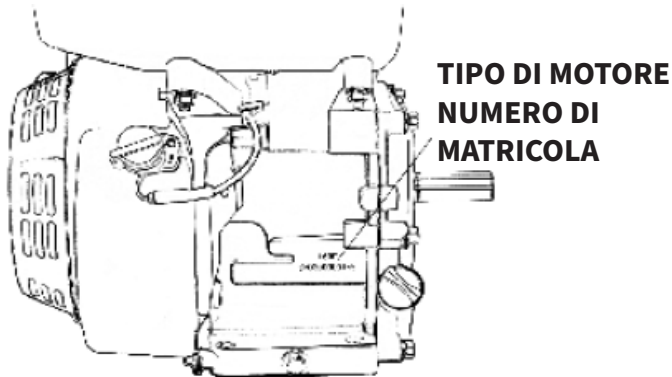
IL MOTORE NON HA ABBASTANZA POTENZA	POSSIBILE CAUSA	CORREZIONE
Controllare il filtro dell'aria	Elemento/i filtrante/i intasato/i.	Pulire o sostituire gli elementi filtranti.
Controllare il carburante.	Carburante esaurito.	Rifornire di carburante.
	Carburante scadente; motore conservato senza aver trattato o scaricato la benzina, o rifornito di benzina di scarsa qualità.	Svuotare il serbatoio e il carburatore. Rifornire con benzina fresca.
Portare il motore presso un rivenditore autorizzato o consultare il manuale.	Filtro del carburante intasato, malfunzionamento del carburatore, malfunzionamento dell'accensione, valvola bloccata, ecc.	Sostituire o riparare i componenti difettosi, se necessario

PER QUALUNQUE ALTRA PROBLEMATICHE, CONTATTARE IL NOSTRO TEAM DI ASSISTENZA CLIENTI.

INFORMAZIONI AGGIUNTIVE

INFORMAZIONI TECNICHE

POSIZIONE DEL NUMERO DI SERIE



Riportare il numero di serie del motore all'interno dello spazio sottostante. Il numero di serie sarà necessario per ordinare eventuali parti di ricambio e per inviare richieste di informazioni tecniche o relative alla garanzia.

Numero di serie del motore: _____

COLLEGAMENTI DELLA BATTERIA PER L'AVVIAMENTO ELETTRICO

Utilizzare una batteria da 12 volt con una capacità di ampere-ora di almeno 18 Ah.

Fare attenzione a non collegare la batteria con le polarità invertite, al fine di evitare un cortocircuito al sistema di ricarica della batteria. Collegare sempre il cavo positivo (+) della batteria al terminale della batteria prima di collegare il cavo negativo (-) della batteria, in maniera tale che la strumentazione non possa causare un cortocircuito nel caso in cui vi fossero contatti con una componente collegata alla messa a terra mentre si stringe l'estremità del cavo positivo (+) della batteria.

INFORMAZIONI AGGIUNTIVE

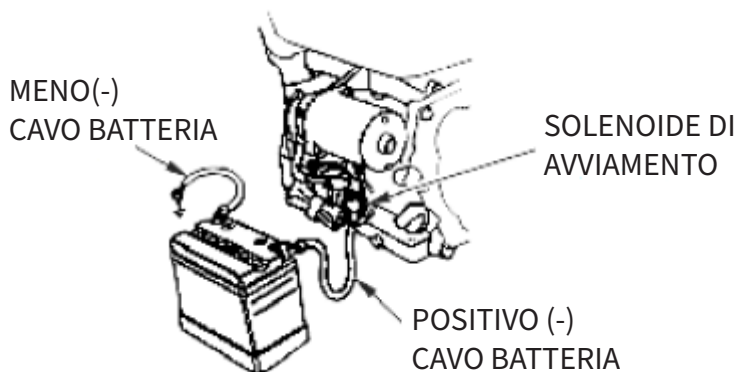
INFORMAZIONI TECNICHE



ATTENZIONE!

Nel caso in cui non si dovessero seguire le corrette procedure di utilizzo, una batteria potrebbe essere in grado di esplodere, con conseguente grave ferimento chi si possa trovare nei dintorni. Tenere la batteria lontana da scintille, fiamme libere e materiali fumanti.

- Collegare il cavo positivo (+) della batteria al terminale del solenoide di avviamento come illustrato.
- Collegare il cavo negativo (-) della batteria ad un bullone di montaggio del motore, ad un bullone del telaio o a un altro buon collegamento a massa del motore.
- Collegare il cavo positivo (+) della batteria al terminale positivo (+) della batteria come illustrato.
- Collegare il cavo negativo della batteria (-) al terminale negativo della batteria (-) come illustrato.
- Rivestire di grasso i terminali e le estremità dei cavi.



INFORMAZIONI AGGIUNTIVE

INFORMAZIONI TECNICHE

MODIFICHE AL CARBURATORE PER UN FUNZIONAMENTO AD ELEVATA ALTITUDINE

Ad elevata altitudine, la miscela aria-carburante del carburatore standard risulterebbe troppo ricca. Le prestazioni diminuiranno e il consumo di carburante aumenterà. Una miscela troppo ricca, inoltre, sporca la candela e provoca difficoltà durante l'avviamento. Il funzionamento ad altitudini diverse da quelle in cui questo motore è stato certificato, per periodi prolungati, provocherà un aumento di emissioni.

Le prestazioni ad altitudini elevate possono essere migliorate grazie a delle modifiche specifiche al carburatore. Se il motore viene normalmente utilizzato ad altitudini superiori ai 5.000 piedi (1.500 metri), chiedere al concessionario di effettuare tale modifica al carburatore. Questo motore, se utilizzato ad alta quota con le modifiche apportate al carburatore per l'utilizzo ad altitudini elevate, sarà in grado di rispettare tutti gli standard sulle emissioni per tutta la durata della sua vita utile.

Tuttavia, anche con la modifica apportata al carburatore, la potenza del motore diminuirà di circa il 3.5% per ogni aumento di altitudine di 1.000 piedi (300 metri). L'effetto dell'altitudine sulla potenza del motore avrà un impatto ancora maggiore nel caso in cui non venisse apportata alcuna modifica al carburatore.

ATTENZIONE!



Se sono state apportate delle modifiche al carburatore per il corretto funzionamento ad alta quota, la miscela aria-carburante risulterà troppo povera per un utilizzo a bassa quota. Operare con un carburatore modificato ad altitudini inferiori ai 5.000 piedi (1.500 metri) potrebbe causare il surriscaldamento del motore producendo gravi danni allo stesso. Per tornare ad utilizzare il motore a bassa quota, rivolgersi ad un rivenditore per riportare il carburatore alle specifiche originali di fabbrica.

INFORMAZIONI AGGIUNTIVE

INFORMAZIONI TECNICHE

CARBURANTI OSSIGENATI

Alcune benzine convenzionali vengono miscelate con alcol o con un composto etereo. Queste benzine vengono chiamate comunemente con il nome di carburanti ossigenati. Per soddisfare le normative sulla pulizia dell'aria, presso alcune aree vengono utilizzati carburanti ossigenati al fine di ridurre le emissioni.

Se si utilizza un carburante ossigenato, accertarsi che non contenga piombo e che soddisfi il requisito minimo di ottani.

Prima di utilizzare un carburante ossigenato, provare a verificare il contenuto del carburante. Alcune zone richiedono che questa informazione sia affissa sulla pompa.

Le percentuali di ossigenati approvate dall'EPA sono le seguenti:

ETANOLO - (alcol etilico o di grano) 10% in volume

È possibile utilizzare della benzina contenente fino al 10% di etanolo in volume. La benzina contenente etanolo può essere commercializzata con il nome di 'Benzina E10'.

Se si notano sintomi indesiderati di funzionamento, provare a fare rifornimento presso un'altra stazione di servizio o passare ad una benzina di altra marca.

I danni all'impianto di alimentazione o i problemi prestazionali derivanti da un utilizzo di un carburante ossigenato contenente una percentuale di ossigenati superiore a quella indicata sopra non sono coperti dalla garanzia.

INFORMAZIONI AGGIUNTIVE

INFORMAZIONI SUL SISTEMA DI CONTROLLO DELLE EMISSIONI

FORTE DI EMISSIONI

Il processo di combustione produce monossido di carbonio, ossidi di azoto e idrocarburi. Il controllo degli idrocarburi e degli ossidi di azoto è molto importante perché, in determinate condizioni, reagiscono formando smog fotochimico quando vengono esposti alla luce del sole. Il monossido di carbonio non reagisce in tal modo, ma è comunque tossico.

Utilizzare le impostazioni dei carburatori a basse emissioni e altri sistemi per ridurre le emissioni di monossido di carbonio, ossidi di azoto e idrocarburi.

MANOMISSIONE E ALTERAZIONE

La manomissione o l'alterazione del sistema di controllo delle emissioni può aumentare le emissioni oltre i limiti disposti dalla legge. Tra gli atti che costituiscono manomissione vi sono:

- La rimozione o l'alterazione di qualunque parte dei sistemi di aspirazione, alimentazione o scarico.
- L'alterazione o la manomissione del leveraggio del regolatore o del meccanismo di regolazione della velocità con lo scopo di far funzionare il motore oltre i suoi parametri progettuali.

PROBLEMI CHE POSSONO INFLUIRE SULLE EMISSIONI

- Nel caso in cui si dovesse riscontrare uno dei seguenti sintomi, far ispezionare e riparare il motore dal proprio concessionario di fiducia.
- Avviamento difficoltoso o stallo dopo l'avviamento.
- Minimo irregolare.
- Malfunzionamento o ritorni di fiamma quando è sotto carico.
- Ritorni di fiamma (retro combustione).
- Fumi di scarico neri o consumi elevati di carburante.

INFORMAZIONI AGGIUNTIVE

INFORMAZIONI SUL SISTEMA DI CONTROLLO DELLE EMISSIONI

PARTI DI RICAMBIO

Si raccomanda l'utilizzo di parti di ricambio originali ogni volta che si effettuano interventi di manutenzione. I ricambi originali vengono prodotti secondo gli stessi standard dei ricambi originali, per cui si potrà avere la certezza delle loro prestazioni. Utilizzare ricambi non originali potrebbe compromettere l'efficacia del sistema di controllo delle emissioni.

Il produttore di un componente non originale si assumerà la responsabilità che il componente non abbia alcuna influenza negativa sia sulle prestazioni che sulle emissioni. Il produttore o il costruttore del componente dovrà certificare che l'utilizzo del componente non comporterà alcuna mancata conformità del motore rispetto alle normative sulle emissioni.

MANUTENZIONE

Seguire sempre il programma di manutenzione. Ricordare che questo programma presuppone che la macchina venga utilizzata solamente per lo scopo per cui è stata progettata. Un funzionamento prolungato ad alto carico o ad alta temperatura, o l'utilizzo in condizioni insolitamente umide o polverose, potranno richiedere degli interventi di manutenzione più frequenti.

MESSA A PUNTO DEL MOTORE

ARTICOLO	SPECIFICHE
Distanza tra le candele	0,028-0,031 in (0.70 mm -0.80 mm)
Gioco delle valvole	0.15 mm±0.02 mm (a freddo) EX: 0.20 mm±0.02 mm (a freddo)
Altre specifiche	Non sono necessarie altre regolazioni

INFORMAZIONI AGGIUNTIVE

INFORMAZIONI PER I CONSUMATORI

PUBBLICAZIONI

Queste pubblicazioni forniscono ulteriori informazioni relative alla manutenzione e alla riparazione del motore. È possibile ordinarle presso il proprio rivenditore di motori.

CATALOGO DELLE PARTI

Questo manuale fornisce degli elenchi di componenti completi e illustrati.

INFORMAZIONI RAPIDE DI RIFERIMENTO

Olio motore	Tipo	SAE 10W-30, API SE o SF, per uso generale
	Capacità	G200F: 0,6 litros
Candela	Tipo	F7RTC o altre equivalenti.
	Distanza	0,028-0,031 pollici (0,70 mm-0,80 mm)
Carburatore	Velocità del minimo	1400 tr/min±150 tr/min
Manutenzione	Dopo ogni utilizzo	Controllare l'olio motore. Controllare il filtro dell'aria.
	Dopo le prime 20 ore	Cambiare l'olio motore.
	Successive	Fare riferimento alla sezione relativa alla manutenzione

INFORMAZIONI AGGIUNTIVE

SPECIFICHE

Tipo	Monocilindrico, 4 tempi, raffreddamento ad aria forzata, OHV
Potenza nominale (kW/3600 giri/min)	3.8
Coppia massima (N·m/giro)	13/3000
Consumo di carburante (g/kW·h)	≤395
Velocità del minimo	1400±150
Rapporto di fluttuazione della velocità	≤10%
Modalità di trasmissione	-
Rapporto di riduzione	-
Rumore (≤)	70db(A)
Alesaggio Corsa (mm)	68×54
Cilindrata (cc)	196
Rapporto di compressione	8.5:1
Modalità di lubrificazione	A sbattimento
Modalità di avvio	Avviamento a strappo (Avviamento a strappo / Avviamento Elettrico)
Rotazione	In senso antiorario (dal lato P.T.O.)
Gioco della valvola	valvola d'ingresso - 0.10 - 0.15 mm, valvola d'uscita - 0.15 - 0.20 mm
Gioco della candela	0.7 - 0.8 mm
Modalità di accensione	Magnete transistor di accensione
Pulitore d'aria	Semi-secco, Bagno d'olio, Filtro a schiuma
Dimensione (Lunghezza)	312mm
Dimensione (Larghezza)	376mm
Dimensione (Altezza)	335mm
Peso netto (kg)	16(19)

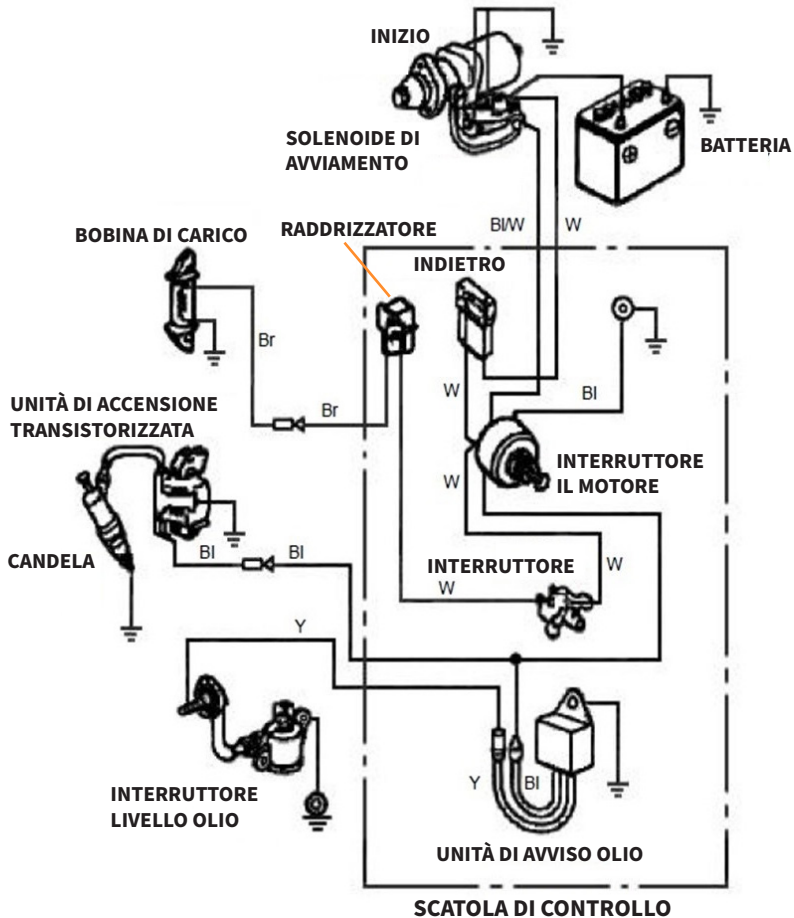
INFORMAZIONI AGGIUNTIVE

SCHEMI ELETTRICI

INTERRUTTORE MOTORE

	IG	E	ST	BAT
SPENTO	O	O		
IN				
INIZIO			O	O

BI	NERO	BR	MARRONE
Y	GIALLO	R	ROSSO
W	BIANCO	G	VERDE

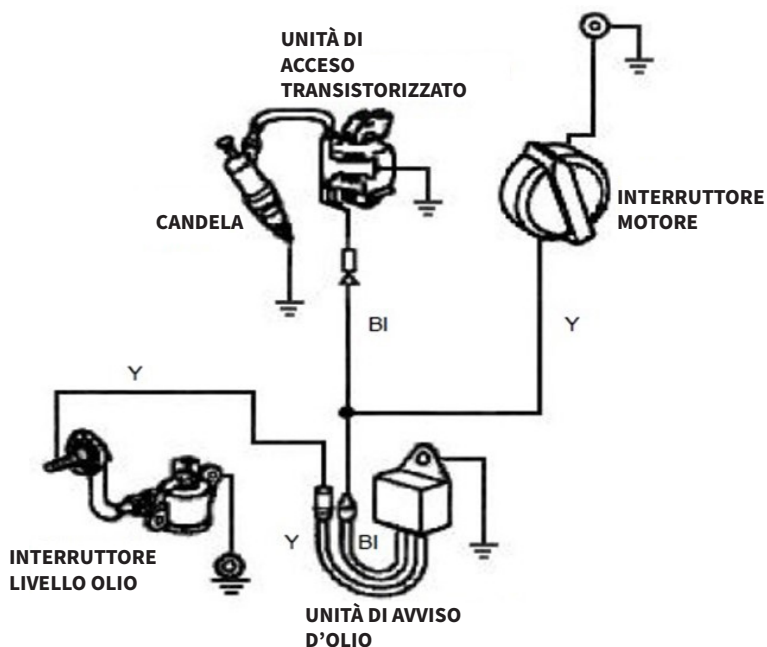


INFORMAZIONI AGGIUNTIVE

SCHEMI ELETTRICI

TIPO DI MOTORE CON ALLARME OLIO E PRIVO DI AVVIAMENTO ELETTRICO

BI	NERO
Y	GIALLO
G	VERDE



INFORMAZIONI AGGIUNTIVE

COMPONENTI OPZIONALI

BATTERIA

BATTERIA - COMPONENTE OPZIONALE

Utilizzare una batteria da 12V, 18Ah o maggiore.



ATTENZIONE!

Non invertire le polarità. Potrebbero verificarsi gravi danni al motore e/o alla batteria.



ATTENZIONE!

Nel caso in cui non si dovessero seguire le corrette procedure di utilizzo, una batteria potrebbe essere in grado di esplodere, con conseguente grave ferimento chi si possa trovare nei dintorni. Tenere la batteria lontana da scintille, fiamme libere e materiali fumanti.

Verificare che il livello dell'elettrolito sia compreso tra i segni presenti sulla scocca. Se il livello dovesse risultare inferiore al segno inferiore, rimuovere i tappi e aggiungere dell'acqua distillata per portare il livello dell'elettrolito al segno superiore. Le celle devono essere piene in maniera uguale.

OMSCHRIJVING

PRODUCT OMSCHRIJVING

Uw nieuwe minitransporter zal ruimschoots aan uw verwachtingen voldoen. Hij is vervaardigd volgens strenge kwaliteitsnormen om te voldoen aan superieure prestatiecriteria. U zult merken dat hij gemakkelijk en veilig te bedienen is en met het juiste onderhoud zult u er vele jaren plezier van hebben.

De vier versnellingen, drie vooruit en één achteruit, vormen het hart van de machine. Hij is extra groot om de enorme koppeling die de motor genereert veilig te beheersen. Dankzij de efficiënte tandwieloverbrenging kan hij zich in elke situatie verplaatsen en elke belasting aan.

De motorfabrikant is verantwoordelijk voor alle aan de motor gerelateerde zaken met betrekking tot prestaties, vermogen, specificaties, garantie en service. Raadpleeg in de handleiding de Motor sectie.

PRODUCTSPECIFICATIES

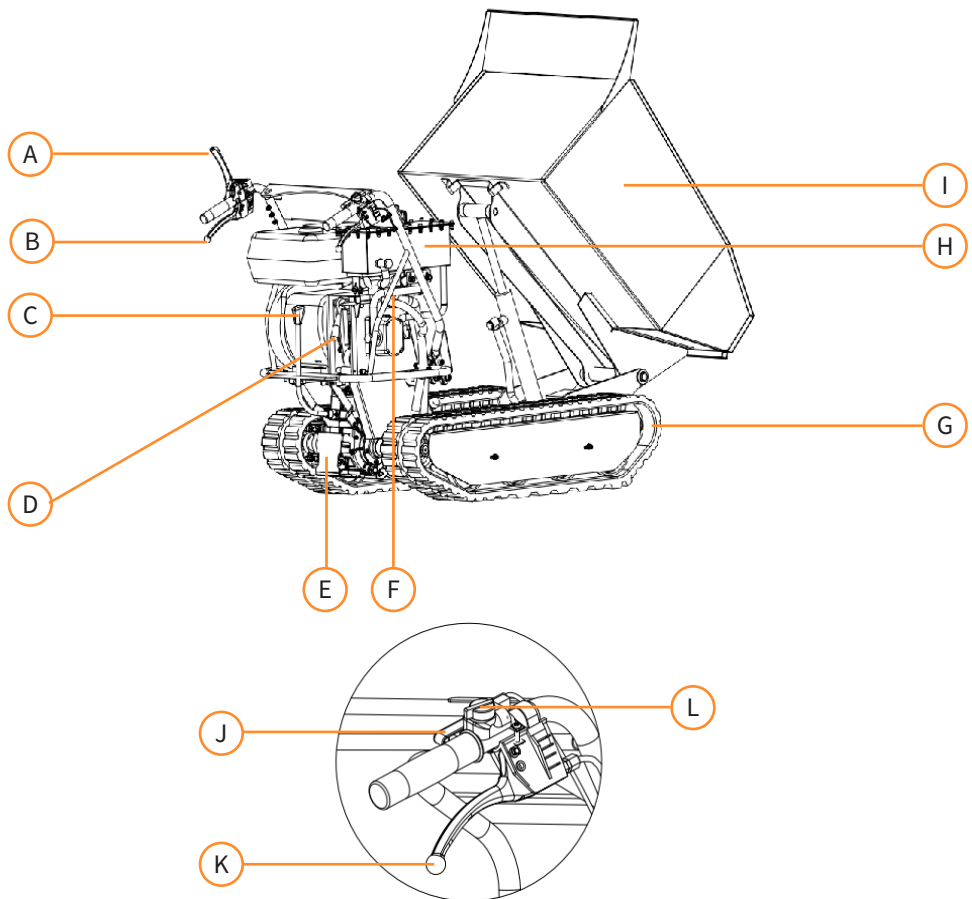
Motor	196cc 6.5HP
Brandstof	Ongelood (95)
Transmissie	3F + 1R
Laadvermogen	300kg
Dooslengte	907-1004mm
Doosbreedte	600-860mm
Diepte Spoor	210mm
Breedte	180mm
Geluidsniveau	103dB
Gewicht	178kg

Part No.	Omschrijving	Aantal
1	Hoofdframe	1
2	Stuur Montage	1
3	Kiepgreep	1
4	Kiepbak	1
5	Gebruiksaanwijzing	1

SPECIFICATIE

PRODUCT SPECIFICATIE

- | | | | |
|----|--------------------|----|--------------------|
| A. | Koppelingshendel | F. | Spoor |
| B. | Linker stuurhendel | G. | Gashendel |
| C. | Kiepgreep | H. | Stuurhendel rechts |
| D. | Versnellingsbak | I. | Aan/uit-schakelaar |
| E. | Kiepbak | | |



De aansprakelijkheid van Monster Group UK Limited is beperkt tot de commerciële waarde van het product.

VEILIGHEIDSADVIJES

VEILIGE WERKMETHODEN



WAARSCHUWING!

Deze machine mag alleen worden gebruikt door personen ouder dan 18 jaar.

UW MACHINE BEGRIJPEN

- Lees en begrijp de gebruikershandleiding en de op de machine aangebrachte etiketten. Leer de toepassing en beperkingen en de specifieke potentiële gevaren ervan kennen.
- Wees grondig vertrouwd met de bedieningselementen en hun juiste werking. Weet hoe u de machine kunt stoppen en de bedieningselementen snel kunt uitschakelen.
- Zorg ervoor dat u alle instructies en veiligheidsmaatregelen leest en begrijpt, zoals beschreven in het hoofdstuk over de Motor in de handleiding.
- Probeer de machine NIET te bedienen voordat u volledig begrijpt hoe u de motor correct moet bedienen en onderhouden en hoe u onbedoeld letsel en/of materiële schade kunt voorkomen.

WERKTERREIN

- Start of gebruik de machine NIET in een gesloten ruimte. De uitlaatgassen zijn gevaarlijk en bevatten koolmonoxide, een geurloos en dodelijk gas. Gebruik dit apparaat alleen in een goed geventileerde buitenruimte.
- Bedien de machine NIET zonder goed zicht of licht.

KLEED JE NAAR BEHOREN

- Draag een zware lange broek, laarzen en handschoenen.
- Draag GEEN losse kleding, korte broek en sieraden van welke aard dan ook.
- Maak lang haar vast zodat het boven schouderhoogte is.
- Houd uw haar, kleding en handschoenen uit de buurt van bewegende delen.

VEILIGHEIDSADVIJES

VEILIGE WERKMETHODEN

GEBRUIK VEILIGHEIDSUITRUSTING

- Draag altijd oogbescherming. Veiligheidsuitrusting zoals een stofmasker, een helm of gehoorbescherming die in de juiste omstandigheden wordt gebruikt, vermindert persoonlijk letsel.
- Controleer uw machine voordat u deze start. Houd de beschermingen op hun plaats en in orde. Zorg ervoor dat alle moeren, bouten, enz. goed vastzitten.
- Gebruik het apparaat NIET wanneer het gerepareerd moet worden of in slechte mechanische staat verkeert. Vervang beschadigde, ontbrekende of defecte onderdeel en voordat u de machine gebruikt. Controleer op brandstoflekken. Houd de machine in veilige werkconditie.
- Verwijder of wijzig GEEN veiligheidsvoorzieningen. Controleer regelmatig de goede werking ervan.
- Gebruik de machine NIET als de schakelaar van de motor de machine niet in- of uitschakelt. Elke machine op benzine die niet met de motorschakelaar kan worden bediend, is gevaarlijk en moet worden vervangen.
- Maak er een gewoonte van te controleren of sleutels en stelsleutels uit het machinegebied zijn verwijderd voordat u de machine start. Een sleutel of moersleutel die aan een draaiend deel van de machine blijft hangen, kan leiden tot persoonlijk letsel.
- Blijf alert, let op wat u doet en gebruik uw gezond verstand wanneer u de machine bedient. NIET overreiken.
- Bedien de machine NIET op blote voeten of met sandalen of soortgelijk licht schoeisel. Draag beschermend schoeisel dat uw voeten beschermt en uw houvast op gladde oppervlakken verbetert. Blijf altijd goed staan en in evenwicht. Hierdoor kunt u de machine beter onder controle houden in onverwachte situaties.
- Voorkom per ongeluk starten. Zorg ervoor dat de motor is uitgeschakeld voordat u de machine vervoert of onderhoud of service aan het apparaat uitvoert. Vervoer van of onderhoud of service aan een machine met ingeschakelde motor nodigt uit tot ongevallen.

VEILIGHEIDSADVIIES

VEILIGE WERKMETHODEN

PERSOONLIJKE VEILIGHEID

- Bedien de machine NIET onder invloed van drugs, alcohol of medicijnen die uw vermogen om de machine goed te gebruiken kunnen beïnvloeden.

BRANDSTOFVEILIGHEID

- Brandstof is licht ontvlambaar en de dampen ervan kunnen bij ontsteking exploderen. Neem voorzorgsmaatregelen bij het gebruik ervan om de kans op ernstig persoonlijk letsel te verkleinen.
- Gebruik bij het vullen of aftappen van de brandstoftank een goedgekeurde brandstofopslagcontainer in een schone, goed geventileerde ruimte buiten.
- NIET roken en geen vonken, open vuur of andere ontstekingsbronnen in de buurt laten komen terwijl u brandstof toevoegt of het apparaat bedient. Vul de brandstof tank nooit binnenshuis.
- Houd geaarde geleidende voorwerpen, zoals gereedschap, uit de buurt van blootliggende, onder spanning staande elektrische onderdelen en aansluitingen om vonken te voorkomen. Deze gebeurtenissen kunnen rook of dampen ontsteken.
- Zet de motor altijd stil en laat deze afkoelen voordat u de brandstoftank vult. Verwijder nooit de dop van de brandstoftank en voeg nooit brandstof toe terwijl de motor loopt of wanneer de motor heet is.
- Gebruik de machine NIET met bekende lekken in het brandstofsysteem.
- Draai de tankdop langzaam los om de druk in de tank te verminderen.
- Vul de brandstoftank nooit te vol. Vul de tank tot niet meer dan 12,5 mm (1/2") onder de bodem van de vulopening om ruimte te laten voor uitzetting, omdat de hitte van de motor kan leiden tot uitzetting van de brandstof.
- Plaats alle brandstoftanks en tankdoppen stevig terug en veeg gemorste brandstof op. Gebruik het apparaat nooit zonder dat de tankdop goed op zijn plaats zit.

VEILIGHEIDSADVIJES

VEILIGE WERKMETHODEN

- Vermijd het creëren van een ontstekingsbron voor gemorste brandstof. Als er brandstof is gemorst, probeer dan niet de motor te starten, maar verplaats de machine uit de buurt van het gemorste gebied en vermijd het ontstaan van een ontstekingsbron totdat de brandstofdampen zijn verdwenen.
- Bewaar brandstof in speciaal voor dit doel ontworpen en goedgekeurde containers.
- Bewaar brandstof in een koele, goed geventileerde ruimte, veilig verwijderd van vonken, open vuur of andere ontstekingsbronnen.
- Sla nooit brandstof of een machine met brandstof in de tank op in een gebouw waar de dampen een vonk, open vlam of andere ontstekingsbronnen kunnen bereiken, zoals een boiler, oven, wasdroger enz. Laat de motor afkoelen voordat u deze in een afgesloten ruimte opbergt.

GEBRUIK EN ONDERHOUD VAN DE MACHINE

- Plaats de machine zodanig dat deze niet kan bewegen tijdens onderhoud, reiniging, afstelling, montage van accessoires of reserveonderdelen, alsmede tijdens opslag.
- Forceer de machine NIET. Gebruik de juiste machine voor uw toepassing. De juiste machine zal het werk beter en veiliger doen tegen de snelheid waarvoor ze ontworpen is.
- Verander de instellingen van de motorgeleider NIET en laat de motor niet te snel draaien. De regelaar regelt het maximale veilige bedrijfstoerental van de motor.
- Laat de motor NIET met een hoog toerental draaien als u niet aan het werk bent.
- Handen of voeten NIET in de buurt van draaiende onderdelen plaatsen.
- Vermijd contact met hete brandstof, olie, uitlaatgassen en hete oppervlakken.
- Raak de motor of de uitlaat NIET aan. Deze onderdelen worden extreem heet. Ze blijven nog korte tijd heet nadat u de machine hebt uitgezet. Laat de motor afkoelen voordat u onderhoud of aanpassingen uitvoert.

VEILIGHEIDSADVIJES

VEILIGE WERKMETHODEN

- Mocht de machine een ongewoon geluid of trilling gaan maken, zet dan onmiddellijk de motor af, ontkoppel de bougiekabel en controleer de oorzaak. Een ongewoon geluid of trilling is meestal een waarschuwing voor problemen.
- Gebruik alleen door de fabrikant goedgekeurde hulpstukken en accessoires. Als u dit niet doet, kan dit leiden tot persoonlijk letsel.
- Onderhoud de machine. Controleer op foutieve uitlijning of blokkering van bewegende delen, defecte onderdelen en elke andere omstandigheid die de werking van de machine kan beïnvloeden. Laat de machine in geval van schade repareren voor gebruik. Veel ongelukken worden veroorzaakt door slecht onderhouden apparatuur.
- Houd de motor en de uitlaat vrij van gras, bladeren, overmatig vet of koolaanslag om de kans op brandgevaar te verkleinen.
- Het apparaat nooit met water of een andere vloeistof besprenkelen. Houd de handgrepen droog, schoon en vrij van vuil. Reinig na elk gebruik.
- Neem de wetten en voorschriften voor de verwijdering van benzine, olie enz. in acht om het milieu te beschermen.
- Bewaar het apparaat buiten het bereik van kinderen en laat het niet bedienen door mensen die niet bekend zijn met het apparaat of de instructies. Machine is gevaarlijk in de handen van ongetrainde gebruikers.

SERVICE

- Voordat u de motor reinigt, repareert, inspecteert of afstelt, moet u de motor afzetten en ervoor zorgen dat alle bewegende delen stilstaan. Maak de bougiekabel los en houd de kabel uit de buurt van de bougie om te voorkomen dat deze per ongeluk wordt gestart.
- Laat uw machine onderhouden door gekwalificeerd reparatiepersoneel dat uitsluitend identieke vervangingsonderdelen gebruikt. Zo blijft de veiligheid van de machine gewaarborgd.

VEILIGHEIDSADVIJES

VEILIGE WERKMETHODEN

- Inspecteer het te bewerken gebied grondig, houd het werkgebied schoon en vrij van puin om struikelen te voorkomen. Werk op een vlakke, horizontale ondergrond.
- Plaats NOOIT enig deel van uw lichaam waar het gevaar loopt bij beweging tijdens montage, installatie en bediening, onderhoud, reparatie of verplaatsing.
- Houd alle omstanders, kinderen en huisdieren op minstens 23 meter afstand. Stop het apparaat onmiddellijk als u wordt benaderd.
- Klim NIET op de kiepbak en draag nooit passagiers.
- Parkeer de machine NOOIT op een onstabiele ondergrond die het zou kunnen begeven, vooral wanneer de machine vol is.
- Schakel de koppelingshendel uit voordat u de motor start.
- Start de motor voorzichtig volgens de instructies en met uw voeten uit de buurt van de bewegende delen.
- Verlaat NOOIT de bedieningspositie wanneer de motor draait.
- Houd het apparaat altijd met beide handen vast wanneer u het bedient. Houd het stuur stevig vast. Houd er rekening mee dat de machine onverwachts omhoog kan stuiten of naar voren kan springen als de machine tegen ondergrondse obstakels zoals grote stenen botst.
- Lopen, nooit rennen met de machine.
- Overbelast de capaciteit van de machine NIET.
- Rijd met een veilige snelheid en stem de snelheid af op de helling van het terrein, de toestand van het wegdek en het gewicht van de lading.
- Wees uiterst voorzichtig wanneer u achteruit rijdt of de machine naar u toe trekt.

VEILIGHEIDSADVIIES

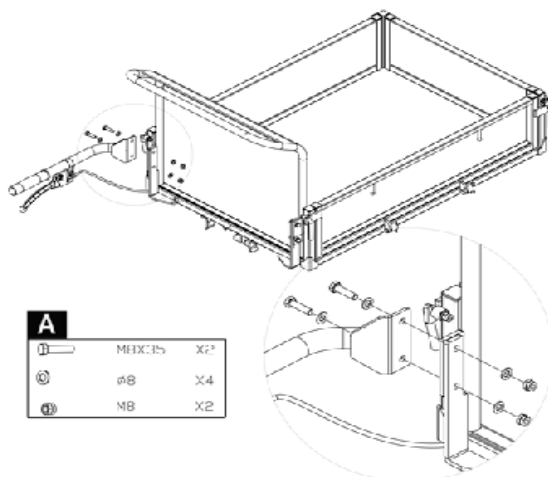
VEILIGE WERKMETHODEN

- Wees uiterst voorzichtig bij het werken op of het oversteken van grindpaden, wandelpaden of wegen. Blijf alert voor verborgen gevaren of verkeer.
- Op zachte grond, rijdt u in de eerste versnelling vooruit/achteruit.
- NIET snel optrekken, scherp draaien of stoppen.
- Wees uiterst voorzichtig bij het werken op bevroren grond, omdat de machine kan slippen.
- Vermijd indien mogelijk het rijden op rivierbedding met kiezelstenen, steenslag, staalbeton, stronken veld, boomstammen enz. omdat dit fatale schade veroorzaakt of de levensduur van de rupsbanden verkort.
- Gebruik de machine NIET in kleine ruimtes waar het risico bestaat dat de bediener tussen de machine en een ander voorwerp wordt verpletterd.
- Gebruik de machine NOOIT op hellingen waar de hoek groter is dan 20°.
- Zorg er bij het rijden over een helling altijd voor dat het gewicht gelijkmatig verdeeld is. Rijd altijd in richtingen parallel aan de helling (omhoog of omlaag). Om gevaar te vermijden, niet schakelen op hellingen.
- Bij het kiepen van de lading van een kiepbak zal het zwaartepunt voortdurend veranderen, en de grondcondities zijn essentieel voor de stabiliteit van de machine. Er zijn speciale risico's voor kieperbakken die werken op zachte grond en wanneer de lading aan de bak kleeft, bijvoorbeeld natte klei.

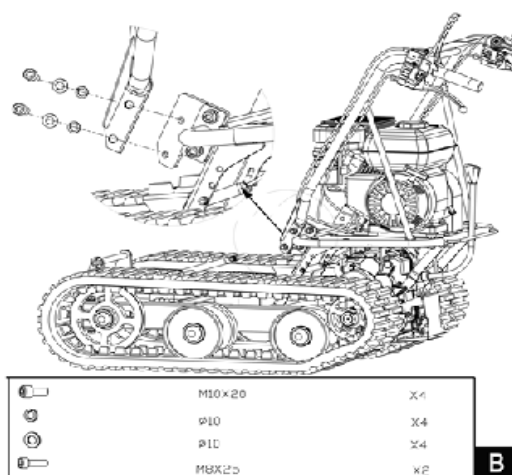
GEBRUIKERSGIDS

MONTAGE-INSTRUCTIES

- Monteer de kantelhendel aan de rechterzijde van het paneel. Lijn de gaten uit en zet ze vast met twee M8x35 zeskantbouten, vier ringen en twee moeren.



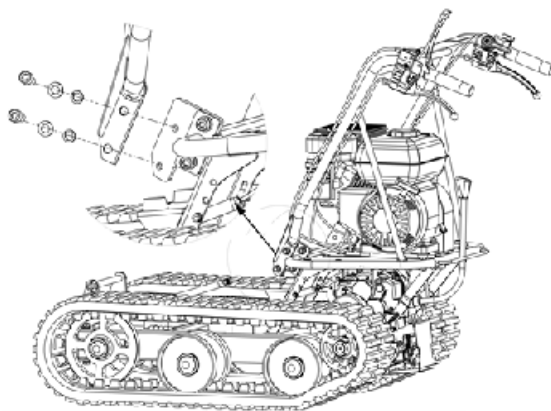
- Lijn de gaten van het stuur uit met de montagebeugel en zet ze vast met een veerring, een platte ring en een M10x20 bout. Bevestig elke stuursteun op het motordek met een veerring, een platte ring en een M8x25 zeskantbout.



GEBRUIKERSGIDS

MONTAGE-INSTRUCTIES

- Plaats het bodempaneel in de montagebeugel. Lijn de gaten uit met de montagebeugel. Steek een lange pin door de gaten en zet elke kant vast met een platte ring en splitpen.



	M10 x 20	x4
	Ø10	x4
	Ø11	x4
	M8x12.5	x2

B

Motorolie



WAARSCHUWING!

De olie is afgetapt voor verzending. Het niet vullen van het oliereservoir voor het starten van de motor resulteert in permanente schade en maakt de garantie op de motor ongeldig.

Voeg olie toe volgens het hoofdstuk Motorhandleiding op blz. 358.

GEBRUIKERSGIDS

BEDIENINGSINSTRUCTIES

MOTOR STARTEN

Een meer gedetailleerde beschrijving van de werking van de motor en alle bijbehorende voorzorgsmaatregelen en procedures vindt u in de Motorhandleiding vanaf pagina 345 bij deze handleiding.

Volg de onderstaande procedure voor koude starts:

- Zet de versnellingspook in de neutrale stand.
- Draai de chokehendel op de motor naar de volledige chokepositie.
- Zet de motorschakelaar aan.
- Trek enkele malen langzaam aan het starttouw om de benzine in de carburateur van de motor te laten stromen. Houd vervolgens de starthendel stevig vast en trek het touw een klein stukje uit totdat u enige weerstand voelt. Trek dan soepel en krachtig aan het touw en laat het touw zachtjes terugkeren. Laat het touw niet terugslaan. Trek indien nodig meermaals aan het touw tot de motor start.
- Laat de motor enkele seconden draaien om op te warmen. Zet vervolgens de chockhendel geleidelijk aan in de stand "OPEN".



WAARSCHUWING!

Laat de motor enkele seconden opwarmen voordat u een versnelling inschakelt.

GEbruikersGIDS

BEDIENINGSINSTRUCTIES

Bij het opnieuw starten van een motor die al warm is door eerdere werking is het normaal gesproken niet nodig de choke te gebruiken.

- Zet de gashendel op het stuur in de halfweg positie.
- Houd de starthendel stevig vast en trek het touw een klein stukje uit totdat je enige weerstand voelt. Trek dan soepel en stevig aan het touw en laat het voorzichtig terugkomen. Laat het touw niet terugslaan

WERKEND

- Als de motor warmgelopen is, knijp dan langzaam de koppelingshendel in en schakel de gewenste versnelling in. Op deze manier komt de minikiepwagen in beweging.
- Trek aan de gashendel om het motortoerental te verhogen.
- De minikiepwagen heeft stuurhendels op het stuur en dat maakt sturen heel gemakkelijk. Om naar rechts of naar links te gaan, bedient u gewoon de bijbehorende rechter of linker stuurhendel.
- De gevoeligheid van de besturing neemt toe in verhouding tot de snelheid van de machine en dat bij een lege machine een lichte druk op de hendel voldoende is om te draaien. Terwijl bij een beladen machine meer druk nodig is.
- De minikiepwagen heeft een maximale capaciteit van 300 kg, maar het is raadzaam de belasting te beoordelen en aan te passen aan de ondergrond waarop de machine zal worden gebruikt.
- Laad nooit meer dan 300 kg.
- Daarom is het raadzaam dergelijke trajecten af te leggen met een lage versnelling en extra voorzichtig te zijn. In dergelijke situaties moet de machine gedurende het hele traject in een lage versnelling worden gehouden.
- Vermijd scherpe bochten en frequente veranderingen van richting tijdens het rijden op de weg, vooral op ruwe, harde terreinen vol scherpe, ongelijke punten met veel wrijving.

GEBRUIKERSGIDS

BEDIENINGSINSTRUCTIES

- Ook al heeft het apparaat rubberen rupsbanden, wees voorzichtig bij het werken in slechte weersomstandigheden (ijs, zware regen en sneeuw) of op grondsoorten die de minikiepwagen instabiel kunnen maken.
- Aangezien dit een voertuig op rupsbanden is, is het onderhevig aan een aanzienlijke knikbeweging bij het passeren van hobbels, gaten en trappen.
- Wanneer de koppelingshendel wordt losgelaten, stopt en remt de machine automatisch, de gashendel wordt uitgeschakeld.
- Als de machine op een steile helling wordt gestopt, moet een wig tegen een van de rupsbanden worden geplaatst.

STATIONAIRE SNELHEID

Zet de gashendel in de stand “SLOW” om de motor minder te belasten als er niet gewerkt wordt. Het verlagen van het motortoerental om de motor stationair te laten draaien, verlengt de levensduur van de motor, bespaart brandstof en vermindert het geluidsniveau van de machine.

MOTOR AFZETTEN

Om de motor in een noodgeval te stoppen, laat u de koppelingshendel los en zet u vervolgens de motorschakelaar in de stand “UIT”. Gebruik onder normale omstandigheden de volgende procedure:

- Zet de gashendel in de stand “SLOW”.
- Laat de motor één of twee minuten stationair draaien.
- Zet de motorschakelaar in de stand “OFF”.
- Zet de brandstofklephendel in de “OFF” positie.



WAARSCHUWING!

Zet de chokeknop NIET op CHOKE om de motor te stoppen. Er kan terugslag of motorschade optreden.

GEBRUIKERSGIDS

ONDERHOUD

Goed onderhoud en smering helpen om de machine in perfecte staat te houden.

PREVENTIEF ONDERHOUD

- Zet de motor af en schakel alle bedieningshendels uit. De motor moet koel zijn.
- Controleer de algemene toestand van het toestel. Controleer op losse schroeven, onjuiste uitlijning of blokkering van bewegende delen, gebarsten of gebroken onderdelen en elke andere omstandigheid die de veilige werking kan beïnvloeden.
- Verwijder al het vuil en andere materialen die zich op de rupsband en het toestel hebben opgehoopt. Reinig na elk gebruik. Gebruik vervolgens een eersteklas ichtgewicht machineolie om alle bewegende delen te smeren.



WAARSCHUWING!

Gebruik nooit een “hogedrukreiniger” om uw toestel te reinigen. Water kan in nauwe delen van de machine en de transmissie binnendringen en schade veroorzaken aan assen, tandwielen, lagers of de motor. Het gebruik van hogedrukreinigers leidt tot een kortere levensduur en vermindert het serviceniveau.

KOPPELING AFSTELLEN

Naarmate de koppeling slijt, kan dezelfde hendel een bredere opening hebben, waardoor hij ongemakkelijk in gebruik is. Dit betekent dat het noodzakelijk is om de kabel af te stellen, waarbij de koppelingshendel op zijn oorspronkelijke positie wordt gezet, werkend op de afstelinrichting en op de tegenmoer.

BESTURING AANPASSEN

Als u problemen hebt met het sturen van het toestel, moet u de stuurhendels afstellen met de speciale verstellers. Draai de borgmoer los en draai de verstellers los om de speling in de kabel, die kan ontstaan na het eerste gebruik of na normale slijtage, op te heffen. Wees zeer voorzichtig dat u de verstellers niet te ver losdraait, omdat dit een ander probleem kan veroorzaken: het verlies van tractie. Vergeet niet de borgmoer vast te draaien wanneer u klaar bent.

GEbruikersGIDS

ONDERHOUD

SMERING

De versnellingsbak is in de fabriek voorgesmeerd en afgedicht.

Controleer het oliepeil elke 50 werkuren. Verwijder de plug en controleer, met de machine horizontaal, of de olie de twee inkepingen bereikt. Voeg indien nodig olie toe.

Gebruik lithium #0 vet voor draagbaar gereedschap, zoals Lubriplate 630AA, Lubriplate GR-132 of Multifak, e.g. EP-O.

Olie moet in warme toestand worden vervangen door een vuldop en plug met oliepeilstok los te draaien. Wanneer de olie volledig is afgetapt, plaatst u de vuldop terug en vult u nieuwe olie bij.

VASTZETTEN VAN DE RUPSBANDEN

Bij gebruik hebben rupsbanden de neiging los te raken. Bij gebruik met losse rupsbanden hebben deze de neiging over het aandrijfwiel te glijden, waardoor het wiel over de behuizing springt of in een precare situatie werkt, waardoor de behuizing beschadigd raakt.

Ga als volgt te werk om de rupsbandspanning te controleren.

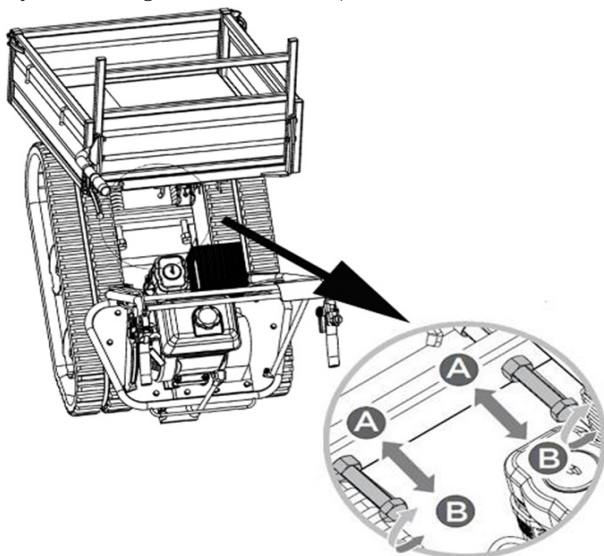
- Zet de machine op een vlakke ondergrond met een compacte ondergrond, beter op asfalt of stenen stoep.
- Til de machine op en zet deze op blokken of steunen die geschikt zijn voor het gewicht van de machine, zodat de rupsbanden ongeveer 100 mm van de grond zijn.
- Meet de middellijn van de rupsband ten opzichte van de horizontale lijn. De meting mag niet meer dan 10-15 mm bedragen.

GEBRUIKERSGIDS

ONDERHOUD

Als de afstand groter is, gaat u als volgt te werk.

- Gebruik de kiepgreep om de kiepbak te kantelen en zet hem op blokken of steunen die geschikt zijn voor het gewicht van de kiepbak.



- Draai borgmoer 'A' los.
- Draai bout 'B' vast totdat de juiste spanning is hersteld.
- Zet bout 'B' vast door borgmoer 'A' goed aan te draaien.
- Zet de kiepbak terug in zijn oorspronkelijke positie.



WAARSCHUWING!

De afstelling van de rupsband en de remmen zijn met elkaar verbonden, dus wees zeer voorzichtig, want als de rupsband te vast wordt aangedraaid, gaat het remeffect verloren.



WAARSCHUWING!

Als de afstelbout niet meer afgesteld kan worden, moeten de rupsbanden misschien vervangen worden.

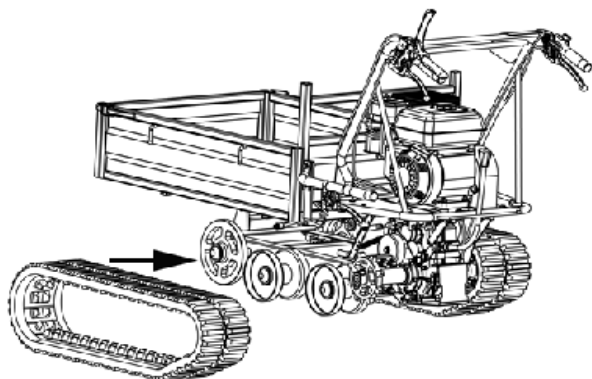
GEBRUIKERSGIDS

ONDERHOUD

Vervangen van rupsbanden

Controleer regelmatig de toestand van de rupsbanden. Als een rupsband gebarsten of gerafeld is, moet hij zo snel mogelijk worden vervangen.

- Draai de borgmoer 'A' en de bout 'B' los, zoals getoond in 'Rupsbanden vastzetten', om de rupsbanden los te maken.



- Verwijder de oude rupsbanden en installeer de nieuwe rupsbanden.
- Stel bout 'B' af op de juiste spanning.
- Zet bout 'B' vast door borgmoer 'A' stevig vast te draaien.



WAARSCHUWING!

Let er bij het verwijderen of installeren van de rupsbanden op dat er geen vingers tussen de rupsbanden en de poelie komen.

GEBRUIKERSGIDS

ONDERHOUD

MOTORONDERHOUD

Raadpleeg de Motorhandleiding in deze handleiding voor informatie over het onderhoud van de motor. Het hoofdstuk over de motorhandleiding bevat gedetailleerde informatie en een onderhoudsschema voor het uitvoeren van de taken.

Als de minikiepwagen langer dan 30 dagen niet wordt gebruikt, volg dan de onderstaande stappen om uw apparaat voor te bereiden op opslag.

- Laat de brandstoftank volledig leeglopen. Opgeslagen brandstof met ethanol of MTBE kan na 30 dagen muf worden. Oude brandstof heeft een hoog gomgehalte en kan de carburateur verstoppem en de brandstofstroom beperken.
- Start de motor en laat hem draaien tot hij stopt. Dit zorgt ervoor dat er geen brandstof in de carburateur achterblijft. Laat de motor draaien tot hij stopt. Dit helpt voorkomen dat zich gomafzettingen vormen in de carburateur en mogelijke schade aan de motor.
- Terwijl de motor nog warm is, laat u de olie uit de motor lopen. Vul met verse olie van de op blz. 360 aanbevolen kwaliteit.
- Gebruik schone doeken om de buitenkant van de machine schoon te maken en de luchtopeningen vrij te houden.



WAARSCHUWING!

GEEN sterke detergenten of reinigingsmiddelen op basis van petroleum gebruiken bij het reinigen van plastic onderdelen. Chemicaliën kunnen plastic beschadigen.

- Controleer op losse of beschadigde onderdelen. Repareer of vervang beschadigde onderdelen en draai losse schroeven, moeren of bouten aan.
- Sla uw toestel op een vlakke ondergrond op in een schoon en droog gebouw met goede ventilatie



WAARSCHUWING!

Bewaar de machine NIET met brandstof in een niet-geventileerde ruimte waar brandstofdampen vlammen, vonken of andere ontstekingsbronnen kunnen bereiken..

TROUBLESHOOTING

OPLOSSINGSGIDS

WAT MOET IK DOEN ALS ER ONDERDELEN VAN MIJN BESTELLING ONTBREKEN?

Neem wanneer een onderdeel van je bestelling ontbreekt binnen 7 dagen na ontvangst contact op met onze vriendelijke en behulpzame klantenservice.

Probleem	Oorzaak	Oplossing
Motor start niet	Bougiekabel losgemaakt	Bevestig de bougiekabel stevig aan de bougie
	Geen brandstof meer.	Vul met schone, verse benzine.
	Choke niet in open positie.	De gashendel moet op choke staan voor een koude start.
	Geblokkeerde brandstofleiding.	Reinig de brandstofleiding.
	Vervuilde bougie.	Reinig, pas de opening aan of vervang.
	Overstroming van de motor	Wacht een paar minuten om opnieuw op te starten, maar start de motor niet.
Motor loopt onregelmatig.	Bougiekabel los.	Bougiekabel aansluiten en vastdraaien.
	Apparaat draait op CHOKE.	Zet de chokehendel op "OFF"
	Verstopte leiding of muffe brandstof.	Maak de brandstofleiding schoon. Vul de tank met schone, verse benzine.
	Ventilatie verstopt.	Ontluchting.
	Water of vuil in brandstofsysteem.	Laat de brandstoftank leeglopen. Vul met verse brandstof.
	Vuile luchtreiniger.	Luchtfilter reinigen of vervangen.
	Onjuiste afstelling van de carburateur.	Raadpleeg de Motorhandleiding.

TROUBLESHOOTING

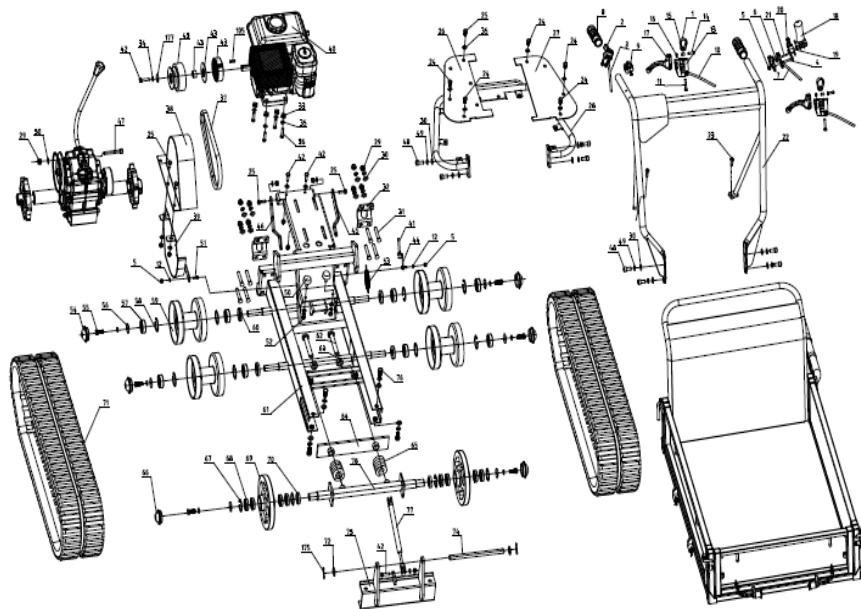
OPLOSSINGSGIDS

Probleem	Oorzaak	Oplossing
Motor oververhit	Motoroliepeil laag.	Vul het oliereservoir met de juiste olie.
	Vuile luchtreiniger.	Reinig luchtfilter.
	Luchtstroom beperkt.	Verwijder de behuizing en reinig.
	Carburateur niet goed afgesteld.	Zie Motorhandleiding op blz. 348.
Een rupsband is geblokkeerd	Vreemde voorwerpen hebben zich een weg gebaan tussen de rupsband en het frame.	Verwijder het vreemde voorwerp.
Machine beweegt niet bij draaiende motor.	De versnelling is niet juist ingeschakeld.	Controleer of de versnellingspook niet tussen twee verschillende versnellingen staat.
	Rupsbanden niet strak genoeg	Rupsbanden vastzetten

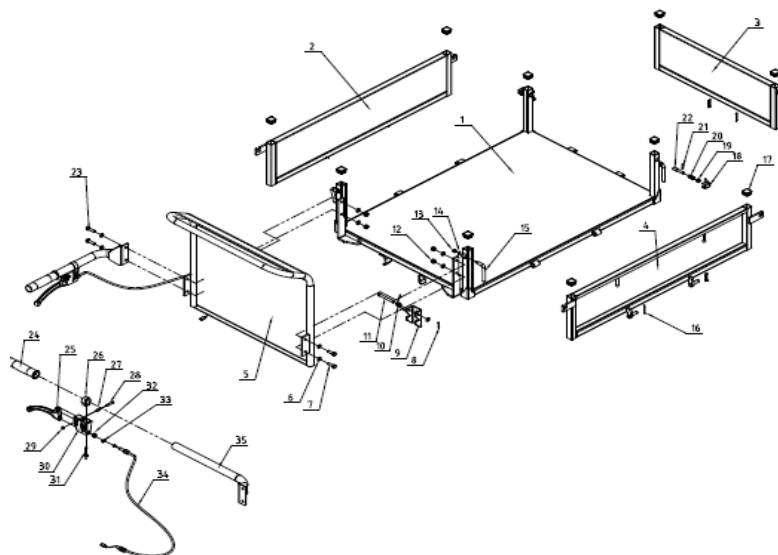
**NEEM VOOR ALLE ANDERE KWESTIES CONTACT
MET ONZE KLANTENSERVICE OP.**

VERDELING VAN ONDERDELEN

TRANSPORTER ONDERDELEN

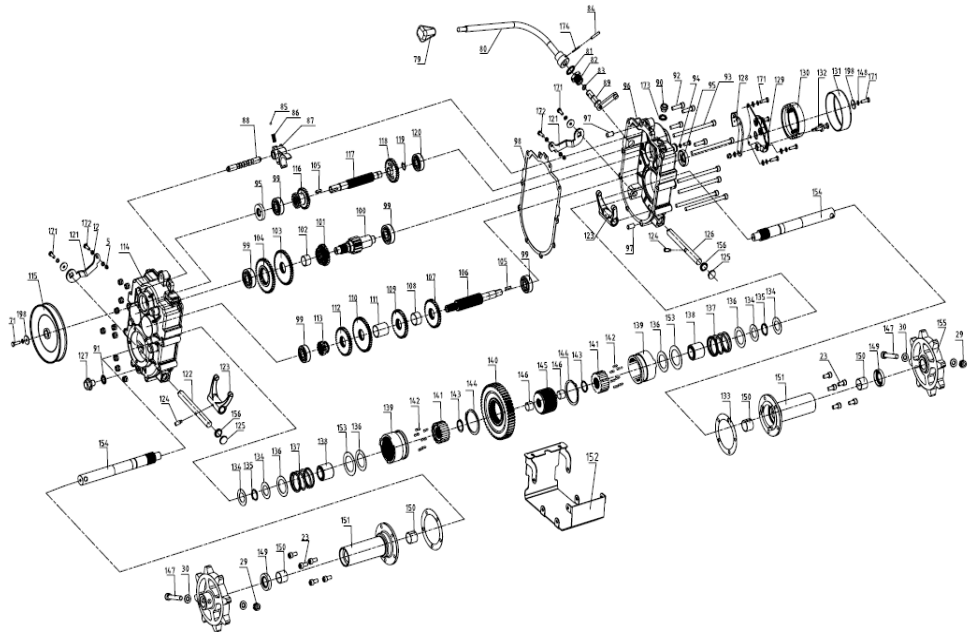


KIEPBAK



VERDELING VAN ONDERDELEN

VERSNELLINGSBAK



HANDLEIDING

MOTOR HANDLEIDING

BELANGRIJKE VEILIGHEIDSINFORMATIE

De meeste ongelukken met motoren kunnen worden voorkomen als u alle instructies in deze handleiding en op de motor opvolgt. Enkele van de meest voorkomende gevaren worden hieronder besproken, samen met de beste manier om uzelf en anderen te beschermen.

VERANTWOORDELIJKHEDEN VAN DE EIGENAAR

De motoren zijn ontworpen om veilig en betrouwbaar te functioneren als ze volgens de instructies worden bediend. Lees en begrijp deze gebruikershandleiding voordat u de motor bedient. Als u dit niet doet, kan dit leiden tot persoonlijk letsel of schade aan de apparatuur.

Weet hoe u de motor snel kunt stoppen en de werking van alle bedieningen begrijpt.

Laat NOOIT iemand de motor bedienen zonder de juiste instructies.

Laat kinderen de motor NIET bedienen. Houd kinderen en huisdieren uit de buurt van het werkgebied.

VOORZICHTIG TANKEN

Benzine is uiterst brandbaar en benzinedampen kunnen exploderen. Buiten tanken, in een goed geventileerde ruimte, met stilstaande motor.

Rook NOOIT in de buurt van benzine en houd andere vlammen en vonken uit de buurt. Bewaar benzine altijd in een goedgekeurde reservoir. Als u benzine morst, zorg er dan voor dat het gebied droog is voordat u de motor start.

HANDLEIDING

MOTOR HANDLEIDING

KOOLMONOXIDE GEVAAR

Uitlaatgassen bevatten giftige koolmonoxide. Vermijd inademing van uitlaatgassen. Laat de motor NOOIT draaien in een gesloten garage of afgesloten ruimte.

HETE UITLAAT

De uitlaat wordt zeer heet tijdens het gebruik en blijft nog enige tijd heet na het stoppen van de motor. Raak de uitlaat niet aan zolang deze heet is. Laat de motor afkoelen voordat u hem binnenshuis opbergt.

Om brandgevaar te voorkomen en te zorgen voor voldoende ventilatie voor stationaire toepassingen, moet de motor tijdens bedrijf minstens 1 meter verwijderd blijven van muren van gebouwen en andere apparatuur. Plaats GEEN brandbare voorwerpen in de buurt van de motor.

ANDER MATERIAAL

Lees de instructies bij de apparatuur die door deze motor wordt aangedreven voor eventuele aanvullende veiligheidsmaatregelen die in acht moeten worden genomen bij het starten, stoppen en bedienen van de motor, of beschermende kleding die nodig kan zijn om de apparatuur te bedienen.

ENGINE CAPACITIES

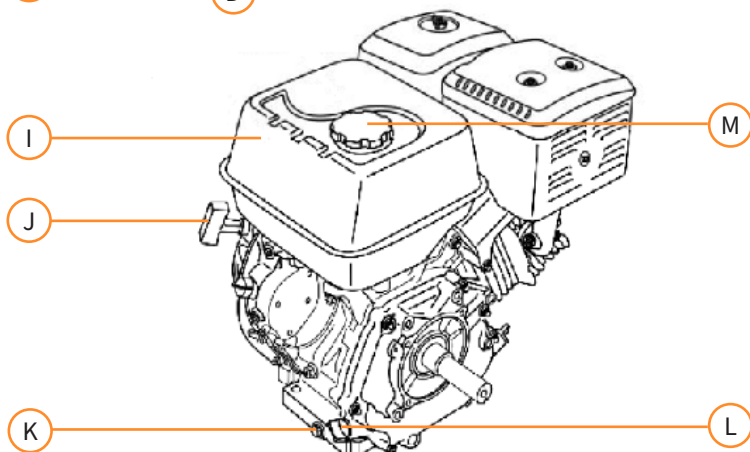
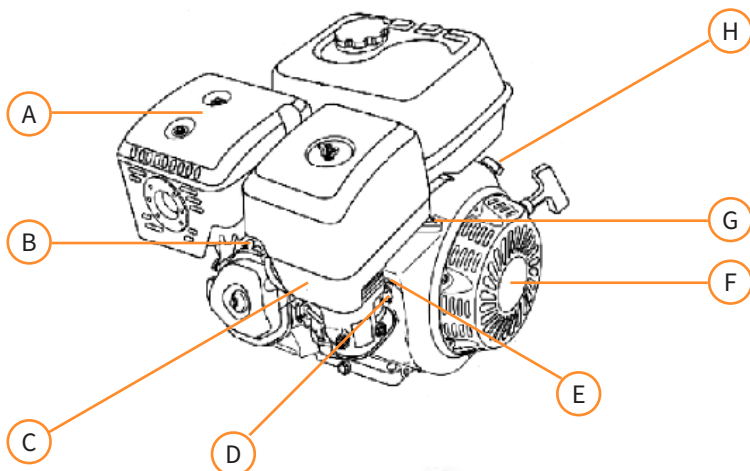
Tankinhoud G200F	3.8 liter
Olie Capaciteit	0.6 liter
Motor Olie	10W-30

HANDLEIDING

MOTOR HANDLEIDING

ONDERDELEN & CONTROLE LOCATIES

- | | | | |
|----|-------------|----|--------------------------|
| A. | UITLAAT | H. | CONTACTSLOT |
| B. | BOUGIE | I. | BRANDSTOF TANK |
| C. | LUCHTFILTER | J. | STARTERGREEP |
| D. | BENZINEKLEP | K. | OLIE AFVOER PLUG |
| E. | CHOKE | L. | OLIEFILTERDOP / PEILSTOK |
| F. | STARTMOTOR | M. | TANKDOP |
| G. | DRAAIKOP | | |



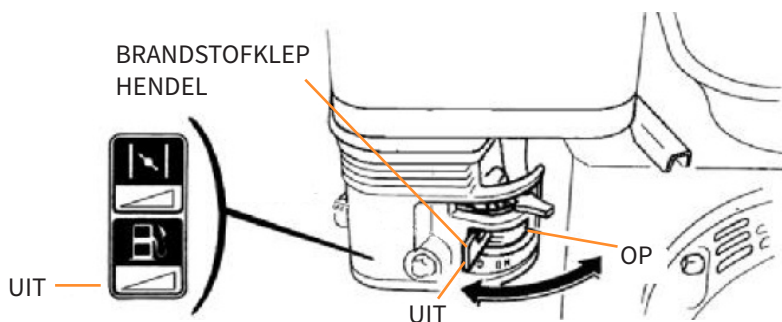
HANDLEIDING

MOTOR HANDLEIDING

BEDIENINGEN

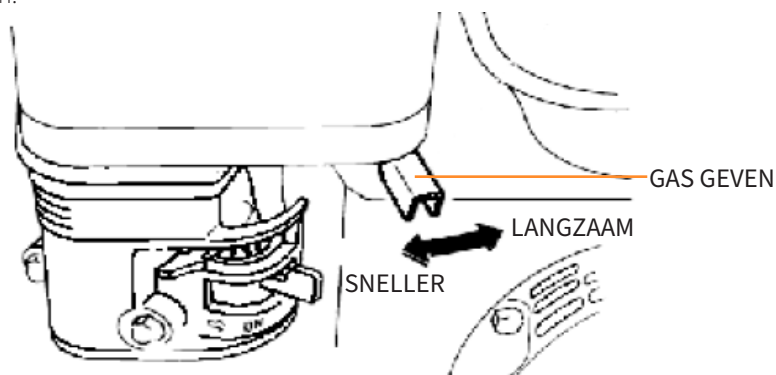
BRANDSTOFKLEP HENDEL

De brandstofklep opent en sluit de doorgang tussen de brandstoftank en de carburateur. De brandstofklephendel moet in de stand ON staan om de motor te laten draaien. Wanneer de motor niet in gebruik is, laat u de hendel van de brandstofklep in de UIT-stand staan om te voorkomen dat de carburateur volloopt en om de kans op brandstoflekkage te verkleinen.



GASHENDEL

De gashendel regelt het toerental van de motor. Door de gashendel in de aangegeven richting te bewegen, gaat de motor sneller of langzamer lopen.



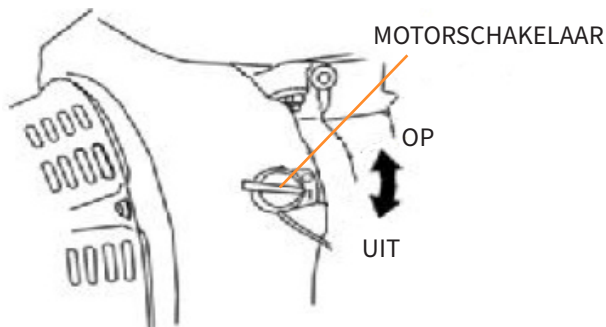
HANDLEIDING

MOTOR HANDLEIDING

MOTORSCHAKELAAR

De motorschakelaar schakelt het ontstekingssysteem in en uit.

De motorschakelaar moet in de stand ON staan om de motor te laten draaien. Als u de motorschakelaar in de UIT-stand zet, stopt de motor.

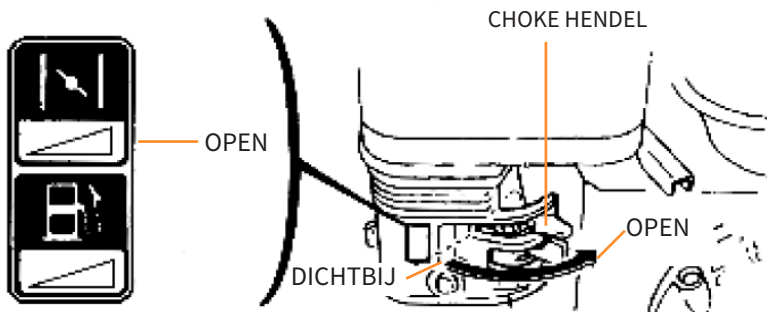


CHOKE HENDEL

De chokehendel opent en sluit de chokeklep in de carburateur. De CLOSE-stand verrijkt het brandstofmengsel voor het starten van een koude motor.

De stand OPEN zorgt voor het juiste brandstofmengsel voor de werking na het starten en voor het opnieuw starten van een warme motor.

Sommige motortoepassingen gebruiken een op afstand gemonteerde chokeregeling in plaats van de hier getoonde op de motor gemonteerde chokehendel.

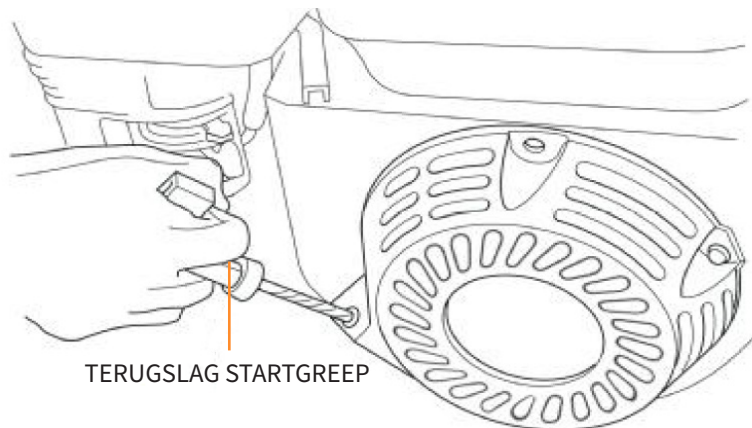


HANDLEIDING

MOTOR HANDLEIDING

TERUGSLAG STARTGREEP

Door aan de startergreep te trekken wordt de startmotor gestart.



CONTROLE VÓÓR GEBRUIK

IS UW MOTOR KLAAR VOOR GEBRUIK?

Voor uw veiligheid en om de levensduur van uw apparatuur te maximaliseren, is het zeer belangrijk dat u even de tijd neemt om de toestand van de motor te controleren voordat u deze in gebruik neemt. Zorg ervoor dat u elk probleem dat u vindt verhelpt of door uw dealer laat verhelpen voordat u de motor gebruikt.



WAARSCHUWING!

Ondeskundig onderhoud aan deze motor, of het niet verhelpen van een probleem vóór gebruik, kan een storing veroorzaken waarbij u ernstig letsel kunt oplopen. Voer altijd een inspectie vóór gebruik uit, en corrigeer elk probleem.

Voordat u met de controles begint, moet u ervoor zorgen dat de motor horizontaal staat en de motorschakelaar in de OFF-stand staat.

HANDLEIDING

MOTOR HANDLEIDING

DE ALGEMENE TOESTAND VAN DE MOTOR CONTROLEREN

- Kijk rond en onder de motor naar tekenen van olie- of benzinelekken.
- Verwijder overmatig vuil, vooral rond de uitlaat en de startmotor.
- Let op tekenen van schade.
- Controleer of alle schermen en deksels op hun plaats zitten en of alle moeren, bouten en schroeven vastzitten.

CONTROLEER DE MOTOR

- Controleer het motoroliepeil. Als de motor met een laag oliepeil draait, kan dat schade aan de motor veroorzaken.
- Het Oil Alert-systeem (toepasselijke motortypes) stopt de motor automatisch voordat het oliepeil onder de veilige grens komt. Om het ongemak van een onverwachte uitschakeling te voorkomen, dient u echter altijd het motoroliepeil te controleren voordat u de motor start.
- Controleer het luchtfilter. Een vuil luchtfilter beperkt de luchtstroom naar de carburateur, waardoor de motor minder goed presteert.
- Controleer het brandstofpeil. Starten met een volle tank helpt om onderbrekingen voor het tanken te voorkomen of te beperken.

CONTROLEER DE UITRUSTING DIE DOOR DEZE MOTOR WORDT AANGEDREVEN

- Lees de instructies bij de apparatuur die door deze motor wordt aangedreven voor eventuele voorzorgsmaatregelen en procedures die moeten worden gevolgd voordat de motor wordt gestart.

HANDLEIDING

MOTOR HANDLEIDING

VOORZORGSMAATREGELEN VOOR VEILIG GEBRUIK

Voordat u de motor voor de eerste keer bedient, moet u de BELANGRIJKE VEILIGHEIDSINFORMATIE en het hoofdstuk VOOR HET GEBRUIK doornemen.



WAARSCHUWING!

Koolmonoxidegas is giftig. Het inademen ervan kan bewusteloosheid veroorzaken en zelfs dodelijk zijn.

Vermijd plaatsen of handelingen die u blootstellen aan koolmonoxide.

Raadpleeg de instructies bij de apparatuur die door deze motor wordt aangedreven voor veiligheidsmaatregelen die in acht moeten worden genomen bij het starten, uitschakelen of gebruiken van de motor.

DE MOTOR STARTEN

- Zet de brandstofklephendel in de ON-stand.
- Om een koude motor te starten, zet u de chokehendel in de CLOSE-stand. Om een warme motor te starten, laat u de chokehendel in de stand OPEN staan.
- Beweeg de gashendel weg van de stand SLOW, ongeveer 1/3 van de richting de stand FAST.
- Zet de motorschakelaar in de ON-stand.
- Trek licht aan de startgreep tot u weerstand voelt en trek dan stevig door. Breng de startgreep voorzichtig terug.
- Als de chokehendel in de CLOSE-stand staat om de motor te starten, zet hem dan geleidelijk in de OPEN-stand als de motor warm wordt.

HANDLEIDING

MOTOR HANDLEIDING

DE MOTOR AFZETTEN

Om de motor in een noodgeval te stoppen, zet u gewoon de motorschakelaar in de stand OFF. Gebruik onder normale omstandigheden de volgende procedure.

- Zet de gashendel in de stand SLOW.
- Zet de motorschakelaar in de stand OFF.
- Draai de brandstofklephendel in de OFF-stand.

INSTELLEN MOTORTOERENTAL

- Plaats de gashendel voor het gewenste motortoerental.
- Sommige motortoepassingen gebruiken een op afstand gemonteerde gashendel in plaats van de hier getoonde op de motor gemonteerde gashendel.
- Raadpleeg de instructies bij de apparatuur die door deze motor wordt aangedreven voor aanbevelingen over het motortoerental.

HANDLEIDING

MOTORONDERHOUD

ONDERHOUD

Goed onderhoud is essentieel voor een veilige, zuinige en probleemloze werking. Het helpt ook de luchtvervuiling te verminderen.



WAARSCHUWING!

Als u de onderhoudsinstructies en voorzorgsmaatregelen niet correct opvolgt, kunt u ernstig gewond raken of gedood worden. Volg altijd de procedures en voorzorgsmaatregelen in de gebruikershandleiding.

Om u te helpen uw motor goed te onderhouden, vindt u op de volgende pagina's een onderhoudsschema, routine-inspectieprocedures en eenvoudige onderhoudsprocedures met eenvoudig handgereedschap.

Andere onderhoudstaken die moeilijker zijn of speciaal gereedschap vereisen, kunnen het best door vakmensen worden uitgevoerd en worden gewoonlijk door een technicus of een andere gekwalificeerde monteur uitgevoerd.

Het onderhoudsschema geldt voor normale bedrijfsomstandigheden. Indien u uw motor onder ongebruikelijke omstandigheden gebruikt, zoals bij langdurige hoge belasting of hoge temperaturen, of in ongebruikelijk natte of stoffige omstandigheden, raadpleeg dan uw dealer voor aanbevelingen die van toepassing zijn op uw individuele behoeften en gebruik.

VEILIGHEIDSMATREGELEN

Zorg ervoor dat de motor is uitgeschakeld voordat u met onderhoud of reparaties begint. Dit voorkomt verschillende potentiële gevaren:

- Koolmonoxidevergiftiging door de uitlaat van de motor. Zorg voor voldoende ventilatie wanneer u de motor bedient.
- Brandwonden door hete onderdelen. Laat de motor en het uitlaatsysteem afkoelen voordat u ze aanraakt.
- Letsel door bewegende delen. Laat de motor NIET draaien, tenzij daartoe opdracht is gegeven.

HANDLEIDING

MOTORONDERHOUD

Lees de instructies voordat u begint, en zorg ervoor dat u over de vereiste gereedschappen en vaardigheden beschikt.

Om de kans op brand of explosie te verkleinen, dient u voorzichtig te zijn wanneer u in de buurt van benzine werkt. Gebruik alleen een niet-ontvlambaar oplosmiddel, geen benzine, om onderdelen te reinigen. Houd sigaretten, vonken en vlammen uit de buurt van alle onderdelen die met brandstof te maken hebben.

Gebruik voor reparatie en vervanging alleen nieuwe, originele onderdelen of equivalenten daarvan, om de beste kwaliteit en betrouwbaarheid te garanderen.

ONDERHOUDSSCHEMA

REGELMATIGE SERVICEPERIODE Uitgevoerd op elke aangegeven maand of bedrijfsuren, afhankelijk van wat zich het eerst voordoet		ELK GE-BRUIK	EERSTE MAAND OF 20 UUR	ELKE 3 MAAND OF 50 UUR	ELKE 6 MAAND OF 100 UUR	ELK JAAR OF 500 UUR
MOTOROLIE	CONTROLEER NIVEAU	○				
	WIJZIGING		○		○	
LUCHTFILTER	CONTROLEER	○				
	REIN			○(1)		
	VERVANGEN					○ ☆
SEDIMENT BEKER	REIN				○	
BOUGIE	CONTROLEER-REIN				○	
	VERVANGEN					○
STATIONAIR TOERENTAL	CONTROLEER-AANPASSEN					○(2)
KLEPSPELING	CONTROLEER-AANPASSEN					○(2)
BENZINETANK EN FILTER	REIN					○(2)
VERBRANDINGSKAMER	REIN	NA 300 UUR (2)				
BRANDSTOF LIJN	CONTROLEER	ELKE 2 JAAR (VERVANGEN IS NOODZAKELIJK) (2)				

☆ Vervang alleen het papierelement.

(1) Vaker onderhoud bij gebruik in stoffige omgevingen.

(2) Deze onderdelen moeten door uw dealer worden onderhouden, tenzij u over het juiste gereedschap beschikt en mechanisch onderlegd bent. Raadpleeg de handleiding voor onderhoudsprocedures

HANDLEIDING

MOTORONDERHOUD

TANKEN

Tankinhoud G270F: 3.8 liter

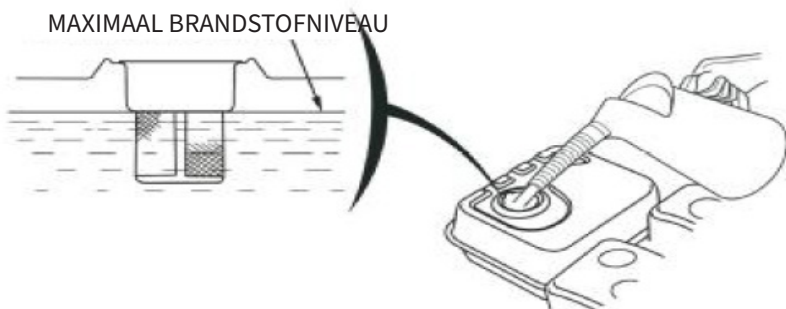
Verwijder met stilstaande motor de tankdop en controleer het brandstofpeil. Vul de tank bij als het brandstofpeil laag is.



WAARSCHUWING!

Benzine is licht ontvlambaar en explosief. U kunt zich verbranden of ernstig verwonden bij het hanteren van brandstof.

- Stop de motor en houd hitte, vonken en vuur uit de buurt.
- Brandstof alleen buiten gebruiken.
- Veeg gemorste vloeistoffen onmiddellijk op.



Tank bij in een goed geventileerde ruimte voordat u de motor start. Als de motor gedraaid heeft, laat hem dan afkoelen. Tank voorzichtig bij om te voorkomen dat u brandstof morst. Vul niet boven de schouder van het filter. Draai na het tanken de tankdop stevig vast.

Tank **NOOIT** de motor in een gebouw waar benzinedampen vlammen of vonken kunnen bereiken. Houd benzine uit de buurt van waakvlammen, barbecues, elektrische apparaten, elektrisch gereedschap, enz.

Gemorste brandstof is niet alleen brandgevaarlijk, maar veroorzaakt ook schade aan het milieu. Ruim gemorste brandstof onmiddellijk op.

HANDLEIDING

MOTORONDERHOUD

BRANDSTOF AANBEVELINGEN

Gebruik loodvrije benzine met een pompwaarde E10.

Deze motoren zijn gecertificeerd voor loodvrije benzine. Loodvrije benzine veroorzaakt minder motor- en bougieafzettingen en verlengt de levensduur van het uitlaatsysteem.

Gebruik NOOIT oude of vervuilde benzine of een olie/benzinemengsel. Voorkom dat er vuil of water in de brandstoftank komt.

Af en toe kunt u een lichte “vonkklop” of “pingelen” (metaalachtig kloppend geluid) horen bij zware belasting. Dit is geen reden tot bezorgdheid.

Indien het kloppen of pingelen optreedt bij een constant motortoerental onder normale belasting, moet u van benzinemerken veranderen. Als het kloppen of pingelen aanhoudt, neem dan contact op met een erkende dealer.

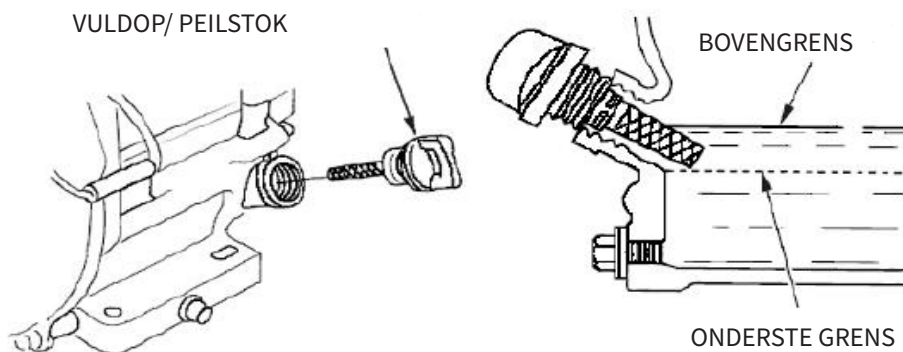
HANDLEIDING

MOTORONDERHOUD

MOTOROLIEPEIL CONTROLEREN

Controleer het motoroliepeil met stilstaande motor en in horizontale positie.

- Verwijder de vuldop/peilstok en veeg deze schoon.



- Steek erin en verwijder de peilstok zonder deze in de vulopening te schroeven. Controleer het oliepeil op de peilstok.
- Als het oliepeil laag is, vul dan tot de rand van de olievulopening met de aanbevolen olie.
- Schroef de vuldop/peilstok goed vast.

Het laten draaien van de motor met een laag oliepeil kan schade aan de motor veroorzaken.

HANDLEIDING

MOTORONDERHOUD

MOTOROLIE VERVERSEN

Tap de gebruikte olie af terwijl de motor warm is. Warme olie loopt snel en volledig weg.

- Plaats een geschikte bak onder de motor om de gebruikte olie op te vangen en verwijder vervolgens de vuldop/peilstok en de aftapplug.
- Laat de gebruikte olie volledig uitlekken, plaats de aftapplug terug en draai deze goed vast.

Voer afgewerkte motorolie af op een manier die verenigbaar is met het milieu. Wij raden u aan gebruikte olie in een verzegelde container naar uw plaatselijke recyclingcentrum te brengen.

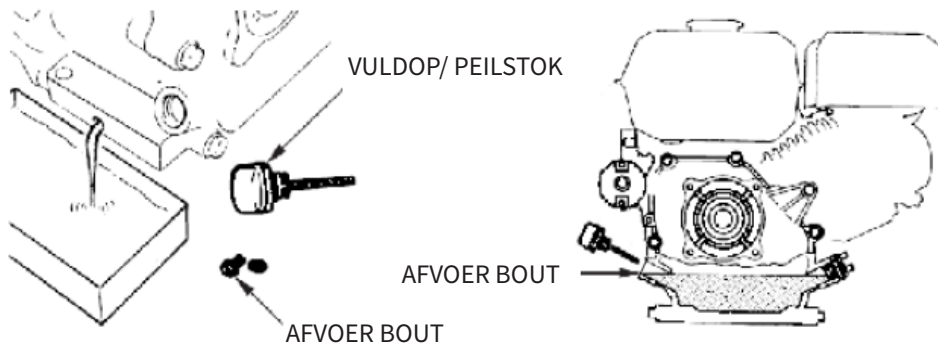
Gooi het NIET in de vuilnisbak, giet het niet op de grond of in een afvoer.

- Met de motor in een vlakke positie, vul tot de buitenrand van de olievlouping met de aanbevolen olie.
- Schroef de vuldop/peilstok goed vast.

Het laten draaien van de motor met een laag oliepeil kan schade aan de motor veroorzaken.

Het Oil Alert-systeem (toepasselijke motortypes) stopt de motor automatisch voordat het oliepeil onder de veilige grens komt.

Om het ongemak van een onverwachte uitschakeling te voorkomen, moet u echter tot de bovengrens vullen en het oliepeil regelmatig controleren.



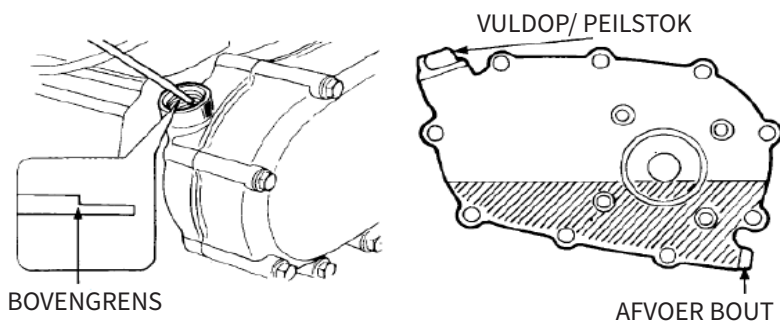
HANDLEIDING

MOTORONDERHOUD

REDUCTIE TANDWIELOLIE

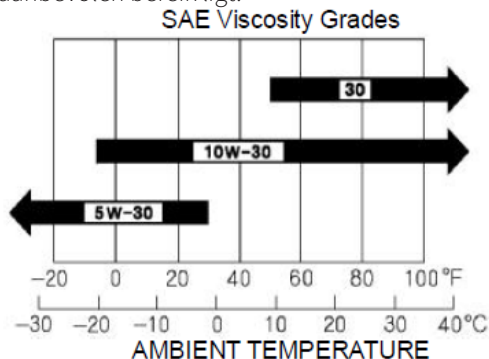
- Verwijder de olievuldop en veeg de peilstok schoon.
- Steek de peilstok in de vulopening, maar schroef hem niet vast.
- Als het peil laag is, vul dan tot de bovenste markering met dezelfde olie die voor de motor wordt aanbevolen.

Oliecapaciteit van G270 - B: 500 cc



AANBEVELINGEN VOOR MOTOROLIE

Olie is een belangrijke factor die de prestaties en de levensduur beïnvloedt. Gebruik 4-takt reinigungsolie voor auto's. SAE 10W-30 wordt aanbevolen voor algemeen gebruik. Andere viscositeiten in de tabel kunnen worden gebruikt wanneer de gemiddelde temperatuur in uw regio binnen het aanbevolen bereik ligt.



HANDLEIDING

MOTORONDERHOUD

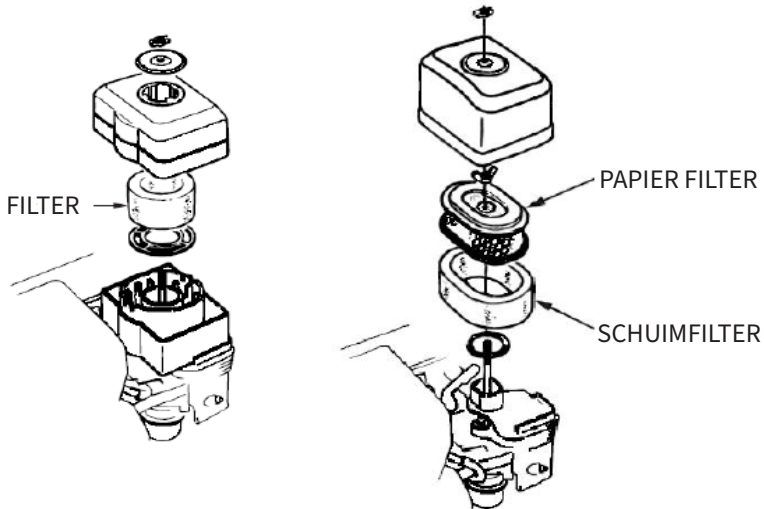
INSPECTIE VAN HET LUCHTFILTER

Verwijder het luchtfilterdeksel en controleer het filter.

Reinig of vervang vuile filterelementen.

Vervang altijd beschadigde filterelementen.

Indien uitgerust met een oliebadluchtfilter, controleer dan ook het oliepeil.



INSPECTIE VAN HET LUCHTFILTER

Een vuil luchtfilter beperkt de luchtstroom naar de carburateur, waardoor de motor minder goed presteert en snel slijtage en schade kan veroorzaken.

Als u de motor in zeer stoffige gebieden gebruikt, moet u het luchtfilter vaker reinigen dan aangegeven in het ONDERHOUDSCHEMA.

HANDLEIDING

MOTORONDERHOUD

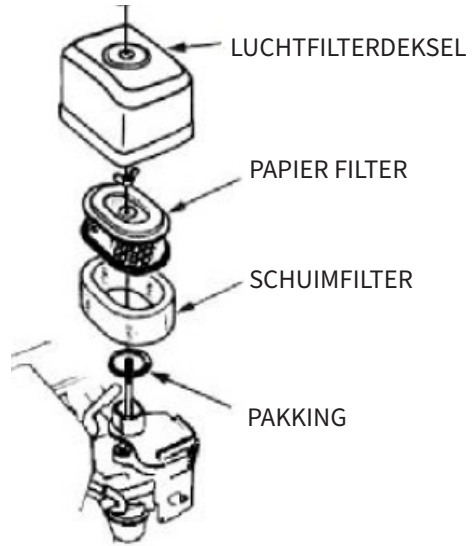
TYPES MET DUBBELE FILTERELEMENTEN

- Verwijder de vleugelmoer van het luchtfilterdeksel en verwijder het luchtfilterdeksel.
- Verwijder de vleugelmoer van het luchtfilter en verwijder het filter.
- Verwijder het schuimfilter van het papieren filter.
- Controleer beide luchtfilterelementen en vervang ze als ze beschadigd zijn. Vervang het papieren luchtfilterelement altijd op het geplande interval.
- Reinig de luchtfilterelementen als ze opnieuw moeten worden gebruikt.

Papieren luchtfilterelement: Tik het filterelement enkele malen op een hard oppervlak om vuil te verwijderen of blaas perslucht [maximaal 30 psi (207 kPa)] van binnenuit door het filterelement. Probeer nooit vuil af te borstelen; door te borstelen wordt het vuil in de vezels gedrukt.

Schuim luchtfilterelement: Reinigen in warm zeepwater, afspoelen en goed laten drogen. Of in een niet-ontvlambaar oplosmiddel reinigen en laten drogen. Dompel het filterelement in schone motorolie en knijp vervolgens alle overtollige olie eruit. Als er te veel olie in het schuim achterblijft, zal de motor bij het starten gaan roken.

- Veeg met een vochtige doek het vuil van de binnenkant van de basis en deksel van het luchtfilter. Voorkom dat er vuil in het luchtkanaal komt dat naar de carburateur leidt.
- Plaats het schuim luchtfilterelement over het papieren element en monteer het geassembleerde luchtfilter opnieuw. Zorg ervoor dat de pakking onder het luchtfilter op zijn plaats zit. Draai de vleugelmoer van het luchtfilter stevig vast.
- Installeer het luchtfilterdeksel en draai de vleugelmoer van het deksel stevig vast.

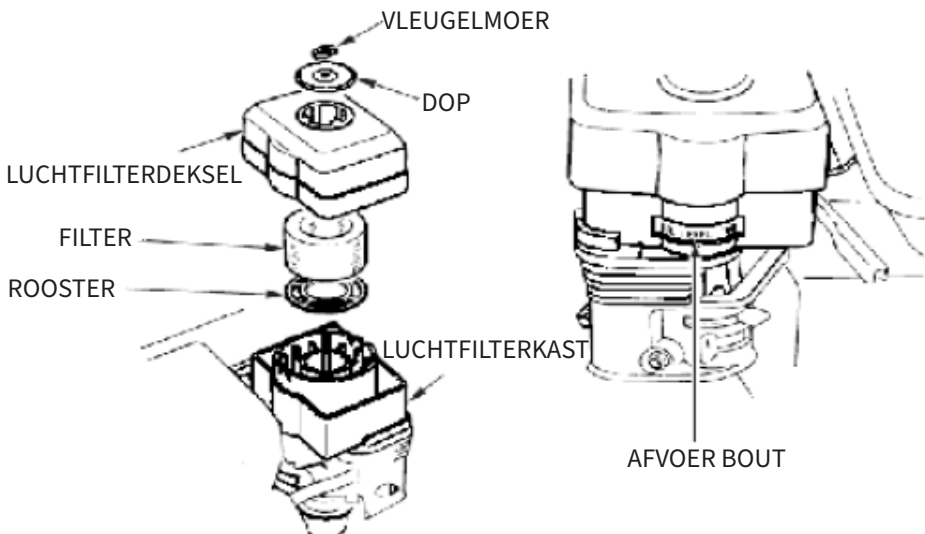


HANDLEIDING

MOTORONDERHOUD

OLIEBAD TYPE

- Verwijder de vleugelmoer en verwijder de luchtfilterkap en het deksel.
- Verwijder het luchtfilter van het deksel, was het deksel en het filter in een warm sopje, spoel het af en laat het goed drogen. Of in een niet-ontvlambaar oplosmiddel reinigen en laten drogen.
- Doop het filter in schone motorolie en knijp vervolgens alle overtollige olie eruit. De motor gaat roken als er te veel olie in het schuim achterblijft.
- Leeg de gebruikte olie uit het behuizing van het luchtfilter, was eventueel opgehoopt vuil met een niet-brandbaar oplosmiddel en droog de behuizing.
- Vul de behuizing voor het luchtfilter tot aan de oliepeilmarkering met dezelfde olie die voor de motor wordt aanbevolen. Inhoud van de olie: 2.0 US oz (60 cm³)
- Zet het luchtfilter weer in elkaar en draai de vleugelmoer goed vast.



HANDLEIDING

MOTORONDERHOUD



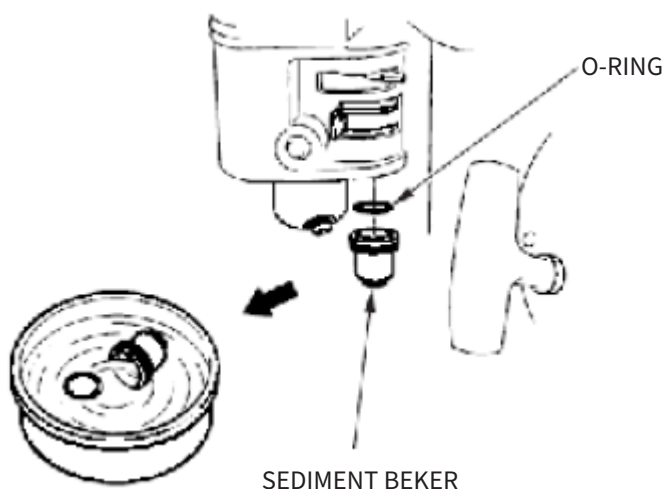
WAARSCHUWING!

Benzine is licht ontvlambaar en explosief. U kunt zich verbranden of ernstig verwonden bij het omgaan met brandstof.

- Stop de motor en houd hitte, vonken en vlammen uit de buurt.
- Brandstof alleen buiten gebruiken.
- Veeg gemorste vloeistoffen onmiddellijk op.

REINIGEN VAN BEZINKBEKER

- Zet de brandstofklep in de OFF-stand en verwijder vervolgens de brandstofbezinkbeker en de O-ring.
- Was de bezinkbeker en de O-ring in een niet-ontvlambaar oplosmiddel en droog ze grondig.
- Plaats de O-ring in de brandstofklep en installeer de bezinkbeker. Draai de bezinkbeker goed vast.
- Zet de brandstofklep in de stand ON en controleer op lekkage. Vervang de O-ring als er lekkage is.



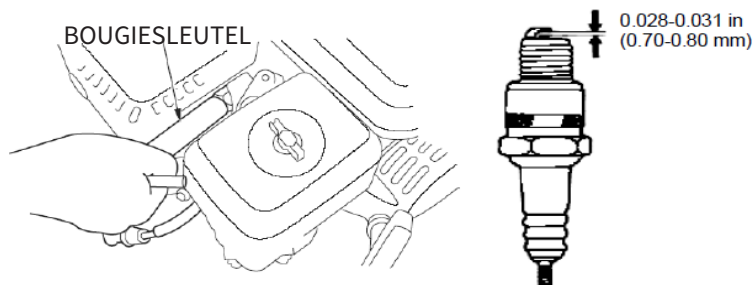
HANDLEIDING

MOTORONDERHOUD

BOUGIE SERVICE

Aanbevolen bougies: F7RTC of andere equivalenten. Een verkeerde bougie kan motorschade veroorzaken.

- Maak de bougiedop los en verwijder vuil rond de bougie.
- Verwijder de bougie met een bougiesleutel.



- Meet de elektrodenafstand van de bougie met een geschikt meetinstrument.
- De opening moet 0,70 mm - 0,80 mm zijn. Corrigeer de afwijking, indien nodig, door de zij-elektrode voorzichtig te buigen.
- Monteer de bougie voorzichtig, met de hand, om kruislings schroefdraad te voorkomen.
- Nadat de bougie is geplaatst, met een bougiesleutel aandraaien om het water samen te drukken.

Als u de gebruikte bougie opnieuw installeert, draait u deze 1/8 - 1/4 slag vast.

Als u een nieuwe bougie monteert, draai deze dan 1/2 slag vast nadat de bougie is geplaatst.

- Bevestig de bougiedop.

HANDLEIDING

MOTORONDERHOUD

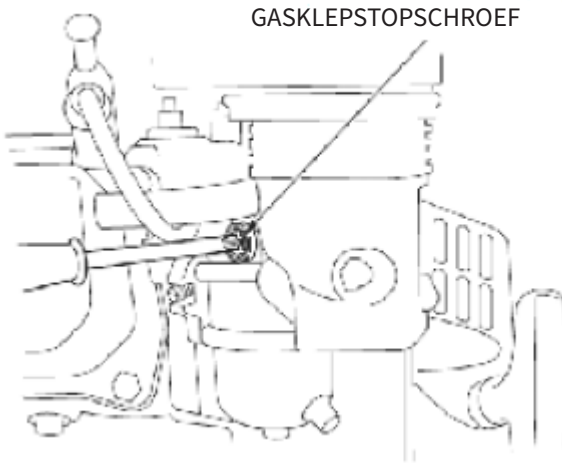


WAARSCHUWING!

Een losse bougie kan oververhit raken en de motor beschadigen.
Het te vast aandraaien van de bougie kan de schroefdraad in de cilinderkop beschadigen.

AFSTELLING STATIONAIR TOERENTAL

- Start de motor buiten en laat hem op bedrijfstemperatuur komen.
- Zet de gashendel in de langzaamste stand.
- Draai de gasklepstopschroef om het standaard stationair toerental te verkrijgen.
Standaard stationair toerental: $1,400 \pm 150$ rpm



HANDLEIDING

MOTORONDERHOUD

UW MOTOR OPBERGEN

OPSLAGVOORBEREIDING

Een goede voorbereiding van de opslag is essentieel om uw motor probleemloos en in goede staat te houden. De volgende stappen helpen voorkomen dat roest en corrosie de werking en het uiterlijk van uw motor aantasten en zorgen ervoor dat de motor na opslag gemakkelijker te starten is.

REINIGEN

Als de motor heeft gelopen, laat hem dan minstens een half uur afkoelen voordat u hem schoonmaakt. Reinig alle buitenoppervlakken, werk beschadigde verf bij en bestrijk andere plekken die kunnen roesten met een lichte olielaag.



WAARSCHUWING!

Het gebruik van een tuinslang of hogedrukspuit kan water in het luchtfilter of de geluiddemperopening blazen. Water in het luchtfilter doordrenkt het luchtfilter, en water dat door het luchtfilter of de geluiddemper gaat, kan in de cilinder terechtkomen en schade veroorzaken.



WAARSCHUWING!

Water dat in contact komt met een hete motor kan schade veroorzaken. Als de motor gedraaid heeft, laat hem dan minstens een half uur afkoelen voordat u hem wast.

BRANDSTOF

Benzine oxideert en verslechtert tijdens opslag. Oude benzine veroorzaakt moeilijk starten, en laat gomafzettingen achter die het brandstofsysteem verstopen. Als de benzine in uw motor tijdens de opslag achteruitgaat, moet u de carburateur en andere onderdelen van het brandstofsysteem laten onderhouden of vervangen.

Hoe lang benzine in uw brandstoftank en carburateur kan blijven zonder functionele problemen te veroorzaken, hangt af van factoren als het benzinemengsel, uw opslagtemperaturen en of de brandstoftank gedeeltelijk of volledig is gevuld. De lucht in een gedeeltelijk gevulde brandstoftank bevordert de achteruitgang van de brandstof. Zeer warme opslag/temperaturen versnellen de achteruitgang van de brandstof. Problemen met brandstofverslechtering kunnen binnen enkele maanden optreden, of zelfs minder als de benzine niet vers was toen u de brandstoftank vulde.

HANDLEIDING

MOTORONDERHOUD

BRANDSTOF vervolg

De beperkte Garantie van de Distributeur dekt geen schade aan het brandstofsysteem of prestatieproblemen van de motor die het gevolg zijn van een onzorgvuldige opslag. U kunt de brandstof langer bewaren door een brandstofstabilisator toe te voegen die voor dat doel is samengesteld, of u kunt problemen met brandstofverval voorkomen door de brandstoftank en de carburateur leeg te laten lopen.

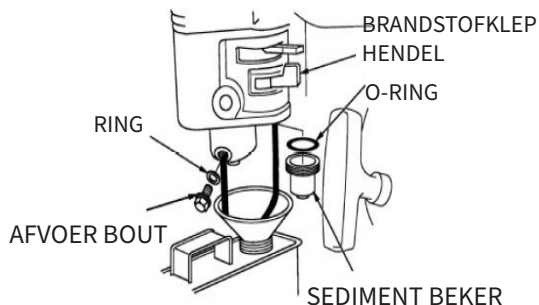
TOEVOEGING VAN EEN BRANDSTOFSTABILISATOR OM DE LEVENSDUUR VAN DE BRANDSTOF TE VERLENGEN

Vul de brandstoftank met verse benzine wanneer u een brandstofstabilisator toevoegt. Als de tank slechts gedeeltelijk is gevuld, zal de lucht in de tank de achteruitgang van de brandstof tijdens de opslag bevorderen. Als u een vat met benzine bewaart om bij te tanken, zorg er dan voor dat dit uitsluitend verse benzine bevat.

- Voeg brandstofstabilisator toe volgens de instructies van de fabrikant.
- Laat de motor na toevoeging van een brandstofstabilisator 10 minuten buiten draaien om er zeker van te zijn dat de behandelde benzine de onbehandelde benzine in de carburateur heeft vervangen
- Stop de motor en zet de brandstofklep in de OFF-stand.

DE TANK EN CARBURATEUR AFTAPPEN

- Plaats een goedgekeurd benzinevat onder de carburateur en gebruik een trechter om te voorkomen dat u brandstof morst.
- Verwijder de aftapbout van de carburateur en de bezinkbeker en zet de brandstofklephendel op ON.
- Nadat alle brandstof in de tank is afgetapt, plaatst u de aftapbout en de bezinkbeker terug. Draai ze stevig vast.



HANDLEIDING

OPSLAG / TRANSPORT

VOORZORGSMAATREGELEN VOOR OPSLAG

- Ververs de motorolie.
- Verwijder de bougies.
- Giet een eetlepel (5-10 cc) schone motorolie in de cilinder.
- Trek een paar keer aan het starterkoord om de olie in de cilinder te verdelen.
- Monteer de bougies weer.
- Trek langzaam aan het starterkoord totdat u weerstand voelt. Dit zal de kleppen sluiten zodat er geen vocht in de motorcilinder kan komen. Trek het starterkoord voorzichtig terug.

Als uw motor wordt opgeslagen met benzine in de brandstoftank en carburateur, is het belangrijk om het gevaar van ontsteking door benzinedampen te beperken. Kies een goed geventileerde opslagplaats uit de buurt van apparaten die met een vlam werken, zoals een oven, boiler of wasdroger. Vermijd ook elke ruimte met een elektrische motor die vonken produceert of waar elektrisch gereedschap wordt gebruikt.

Vermijd indien mogelijk opslagplaatsen met een hoge vochtigheidsgraad, want dat bevordert roest en corrosie.

Tenzij alle brandstof uit de brandstoftank is afgetapt, laat u de hendel van de brandstofklep in de OFF-stand staan om de kans op brandstoflekkage te verkleinen.

Plaats de apparatuur zo dat de motor waterpas staat. Kantelen kan brandstof- of olielekage veroorzaken.

Als de motor en het uitlaatsysteem afgekoeld zijn, bedek dan de motor om stof buiten te houden. Een hete motor en uitlaatsysteem kunnen sommige materialen doen ontbranden of smelten. Gebruik geen plastic als afdekking. Een niet-poreus zeil houdt vocht vast rond de motor en bevordert roest en corrosie.

Als de motor is uitgerust met een accu voor een elektrische starter, laadt u de accu eens per maand op terwijl de motor stilstaat. Dit verlengt de levensduur van de accu.

HANDLEIDING

OPSLAG / TRANSPORT

VERWIJDERING UIT DE OPSLAGPLAATS

Controleer uw motor zoals beschreven in het hoofdstuk **CONTROLE VOOR HET GEBRUIK**. Als de brandstof werd afgetapt tijdens de voorbereiding van de opslag, vul de tank dan met verse benzine. Als u een container met benzine bewaart om bij te tanken, zorg er dan voor dat deze alleen verse benzine bevat. Benzine oxideert en gaat na verloop van tijd achteruit, waardoor de motor moeilijk start.

Als de cilinders tijdens de opslag met olie bedekt waren, kan de motor bij het starten kortstondig roken. Dit is normaal.

TRANSPORT

Als de motor heeft gedraaid, laat hem dan ten minste 15 minuten afkoelen voordat u de door de motor aangedreven apparatuur in het transportvoertuig laadt. Een hete motor en uitlaatsysteem kunnen u verbranden en bepaalde materialen doen ontbranden.

Houd de motor tijdens het vervoer horizontaal om de kans op brandstoflekkage te verkleinen. Zet de brandstofklephendel in de OFF-stand.

PROBLEEM OPLOSSEN

OPLOSSINGSGIDS

WAT MOET IK DOEN ALS ER ONDERDELEN VAN MIJN BESTELLING ONTBREKEN?

Neem wanneer een onderdeel van je bestelling ontbreekt binnen 7 dagen na ontvangst contact op met onze vriendelijke en behulpzame klantenservice.

DE MOTOR WIL NIET STARTEN	MOGELIJKE OORZAAK	OPLOSSING
Elektrisch starten: controleer de accu	Accu leeg.	Accu opladen.
Controleer de controlestanden	Brandstofklep OFF	Hendel naar ON
	Choke OPEN	Zet de hendel op CLOSE tenzij de motor warm is.
	Motorschakelaar OFF	Zet Mmtorschakelaar op ON
Controleer brandstof.	Zonder brandstof	Bijtanken
	Slechte brandstof; motor opgeslagen zonder behandeling of aftappen van benzine, of bijgetankt met slechte benzine.	Laat de brandstoftank en de carburateur leeglopen. Tank verse benzine.
Verwijder en controleer de bougies	Defecte, vervuilde of verkeerd geplaatste bougies.	Bougies vervangen.
	Bougies nat met brandstof (verzopen motor).	Droog de bougies en monteer ze opnieuw. Start de motor met de gashendel in de FAST stand.
Breng de motor naar een erkende dealer of raadpleeg de handleiding.	Brandstoffilter verstopt, carburateur defect, ontsteking defect, klep vast, enz.	Defecte onderdelen zo nodig vervangen of repareren

PROBLEEM OPLOSSEN

OPLOSSINGSGIDS

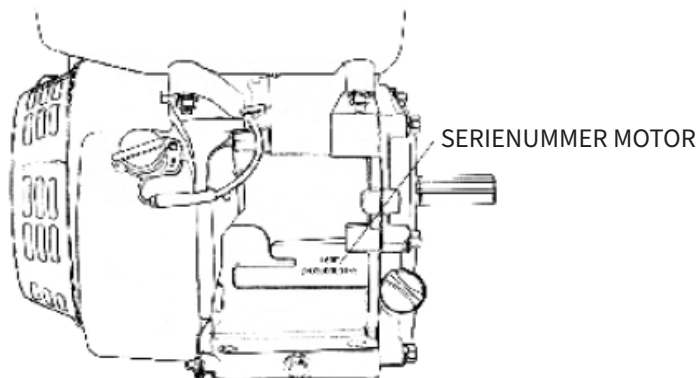
DE MOTOR MIST VERMOGEN	MOGELIJKE OORZAAK	OPLOSSING
Controleer luchtfilter	Filterelement(en) verstopt.	Filterelement(en) reinigen of vervangen.
Controleer brandstof.	Geen brandstof meer.	Bijtanken.
	Slechte brandstof: motor opgeslagen zonder behandeling of aftappen van benzine, of getankt met slechte benzine.	Laat de brandstoftank en de carburateur leeglopen. Tank verse benzine.
Breng de motor naar een erkende dealer of raadpleeg de handleiding.	Brandstoffilter verstopt, carburateur defect, ontsteking defect, klep vast, enz.	Defecte onderdelen zo nodig vervangen of repareren.

**NEEM VOOR ALLE ANDERE KWESTIES CONTACT
MET ONZE KLANTENSERVICE OP.**

EXTRA INFORMATIE

TECHNISCHE GEGEVENS

LOCATIE SERIENUMMER



Noteer het serienummer van de motor in de ruimte hieronder. U heeft dit serienummer nodig bij het bestellen van onderdelen en bij technische of garantie-informatie.

Serienummer motor: _____

ACCU-AANSLUITINGEN VOOR ELEKTRISCHE STARTER

Gebruik een 12-volt accu met een stroomsterkte van minstens 18 Ah.

Pas op dat u de accu niet in omgekeerde polariteit aansluit, want dan ontstaat kortsluiting in het oplaadsysteem van de accu. Sluit de positieve (+) accukabel altijd aan op de accupool voordat u de negatieve (-) accukabel aansluit, zodat uw gereedschap geen kortsluiting kan veroorzaken als het een geaard onderdeel raakt terwijl u het uiteinde van de positieve (+) accukabel vastdraait.

EXTRA INFORMATIE

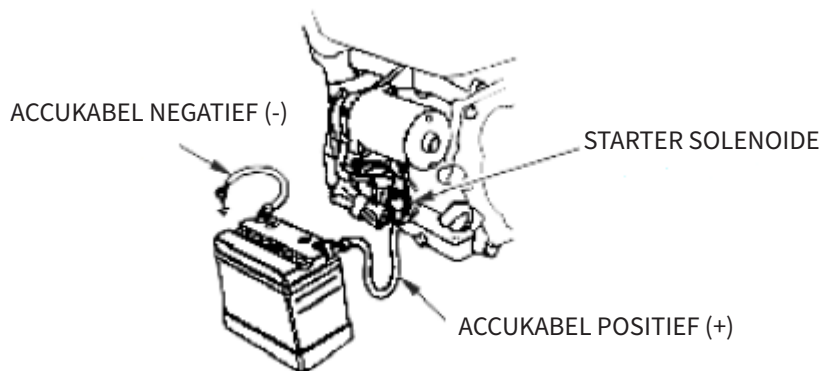
TECHNISCHE GEGEVENS



WAARSCHUWING!

Een accu kan exploderen als u de juiste procedure niet volgt, waardoor iedereen in de buurt ernstig gewond kan raken. Houd vonken, open vuur en rookwaren uit de buurt van de accu.

- Sluit de positieve (+) accukabel aan op de aansluiting van het elektromagneet van de starter, zoals afgebeeld.
- Sluit de negatieve accukabel (-) aan op een motorbevestigingsbout, een framebout of een andere goede massa-aansluiting.
- Sluit de positieve accukabel (+) aan op de positieve accupool (+) zoals afgebeeld.
- Sluit de negatieve accukabel (-) aan op de negatieve accupool (-) zoals afgebeeld.
- Smeer de klemmen en kabeluiteinden in met vet.



EXTRA INFORMATIE

TECHNISCHE GEGEVENS

CARBURATEURMODIFICATIE VOOR GEBRUIK OP GROTE HOOGTE

Op grote hoogte zal het standaard lucht-brandstofmengsel van de carburateur te rijk zijn. De prestaties zullen afnemen en het brandstofverbruik zal toenemen. Een te rijk mengsel zal ook de bougie vervuilen en moeilijk starten veroorzaken. Gebruik op een andere hoogte dan die waarop deze motor is gecertificeerd, gedurende langere tijd, kan de uitstoot verhogen.

De prestaties op grote hoogte kunnen worden verbeterd door specifieke aanpassingen aan de carburateur. Als u uw motor altijd gebruikt op hoogtes boven 1.500 meter, laat dan uw dealer deze carburateurmodificatie uitvoeren. Deze motor zal, wanneer hij op grote hoogte wordt gebruikt met de carburateurmodificaties voor gebruik op grote hoogte, gedurende zijn hele levensduur aan elke emissienorm voldoen.

Zelfs als de carburateur wordt aangepast, daalt het motorvermogen met ongeveer 3,5% per 300 meter stijging van de hoogte. Het effect van de hoogte op het vermogen is groter als de carburateur niet wordt aangepast.



WAARSCHUWING!

Wanneer de carburateur is aangepast voor gebruik op grote hoogte, zal het lucht-brandstofmengsel te arm zijn voor gebruik op lage hoogte. Gebruik op een hoogte van minder dan 1500 meter met een aangepaste carburateur kan leiden tot oververhitting van de motor en ernstige motorschade. Voor gebruik op lage hoogte, laat uw dealer de carburateur terugbrengen naar de originele fabrieksspecificaties.

EXTRA INFORMATIE

TECHNISCHE GEGEVENS

ZUURSTOFRIJKE BRANDSTOFFEN

Sommige conventionele gasoliën worden gemengd met alcohol of een etherverbinding. Deze brandstoffen worden samen zuurstofhoudende brandstoffen genoemd. Om aan de normen voor schone lucht te voldoen, worden in sommige gebieden zuurstofhoudende brandstoffen gebruikt om de uitstoot te helpen verminderen.

Als u zuurstofrijke brandstof gebruikt, zorg er dan voor dat deze loodvrij is en voldoet aan de minimum octaanvereisten.

Voordat u een zuurstofhoudende brandstof gebruikt, moet u de inhoud van de brandstof bevestigen. Sommige gebieden eisen dat deze informatie op de pomp wordt vermeld.

Hieronder volgen de door de EPA goedgekeurde percentages zuurstofhoudende verbindingen:

ETHANOL - (ethyl- of graanalcohol) 10% vol. U mag benzine gebruiken die tot 10% volume ethanol bevat. Benzine die ethanol bevat mag in de handel worden gebracht onder de naam "E10 Benzine".

Als u ongewenste werkingssymptomen opmerkt, probeer dan een ander tankstation of schakel over op een ander merk benzine.

Schade aan het brandstofsysteem of prestatieproblemen als gevolg van het gebruik van zuurstofhoudende brandstof die meer dan de hierboven vermelde percentages zuurstofverbindingen bevat, vallen niet onder de garantie.

EXTRA INFORMATIE

INFORMATIE OVER HET EMISSIEREGELSYSTEEM

BRON VAN EMISSIE

Bij het verbrandingsproces ontstaan koolmonoxide, stikstofoxiden en koolwaterstoffen. Beheersing van koolwaterstoffen en stikstofoxiden is zeer belangrijk omdat zij, onder bepaalde omstandigheden, reageren tot fotochemische smog wanneer zij worden blootgesteld aan zonlicht. Koolstofmonoxide reageert niet zo, maar is wel giftig.

Hierbij wordt gebruik gemaakt van de instelling van de zuinige carburateur en andere systemen om de uitstoot van koolmonoxide, stikstofoxiden en koolwaterstoffen te verminderen.

MANIPULATIE EN VERANDERING

Het knoeien met of wijzigen van het emissiebeperkingsstelsel kan de uitstoot boven de wettelijke grenswaarde verhogen. Handelingen die als manipulatie worden aangemerkt zijn onder meer:

- Verwijdering of wijziging van enig deel van het inlaat-, brandstof- of uitlaatsysteem.
- Het wijzigen of omzeilen van het stangenstelsel van de reguleur of van het toerentalregelmechanisme, waardoor de motor buiten de ontwerpparameters werkt.

PROBLEMEN DIE DE EMISSIES KUNNEN BEÏNVLOEDEN

Als u een van de volgende symptomen opmerkt, laat uw motor dan controleren en repareren door uw dealer.

- Moeilijk starten of afslaan na het starten.
- Ruw stationair.
- Ontsteking of terugslag bij belasting.
- Naverbranding (terugslag).
- Zwarte uitlaatrook of hoog brandstofverbruik.

EXTRA INFORMATIE

INFORMATIE OVER HET EMISSIEREGELSYSTEEM

VERVANGENDE ONDERDELEN

Wij bevelen het gebruik van originele onderdelen aan wanneer u onderhoud laat uitvoeren. Deze originele vervangingsonderdelen zijn vervaardigd volgens dezelfde normen als de originele onderdelen, zodat u kunt vertrouwen op hun prestaties. Het gebruik van vervangingsonderdelen die niet van het originele ontwerp en de originele kwaliteit zijn, kan de effectiviteit van uw emissiebeperkingsysteem aantasten.

Een fabrikant van een aftermarket onderdeel neemt de verantwoordelijkheid op zich dat het onderdeel de emissieprestaties niet negatief beïnvloedt. De fabrikant of herbouwer van het onderdeel moet verklaren dat het gebruik van het onderdeel er niet toe zal leiden dat de motor niet aan de emissievoorschriften voldoet.

ONDERHOUD

Volg het onderhoudsschema. Denk eraan dat dit schema ervan uitgaat dat uw machine wordt gebruikt voor het beoogde doel. Bij langdurige hoge belasting of hoge temperaturen, of bij gebruik in ongewoon natte of stoffige omstandigheden is vaker onderhoud nodig.

MOTORTUNING

ITEM	SPECIFICATIES
Bougie afstand	0.028-0.031 in (0.70 mm -0.80 mm)
Klepspeling	0.15 mm±0.02 mm (koud) EX: 0.20 mm±0.02 mm (koud)
Overige specificaties	Geen andere aanpassingen nodig

EXTRA INFORMATIE

CONSUMENTENINFORMATIE

PUBLICATIES

Deze publicaties geven u aanvullende informatie voor het onderhouden en repareren van uw motor. U kunt ze bestellen bij uw motordealer.

ONDERDELEN CATALOGUS

Deze handleiding bevat complete, geïllustreerde onderdelenlijsten.

BEKNOPTE INFORMATIE

Motorolie	Type	SAE 10W-30, API SE of SF, algemeen gebruik
	Capaciteit	G200F: 0.6 L
Bougie	Type	F7RTC of andere equivalenten.
	Opening	0.70 mm-0.80 mm
Carburateur	Stationair	1400 rpm±150 rpm
Onderhoud	Elk gebruik	Controleer motorolie. Luchtfilter controleren
	Eerste 20 uur	Vervang de motorolie
	Vervolgens	Raadpleeg het onderhoud

EXTRA INFORMATIE

SPECIFICATIES

Type	Enkele cilinder, 4-takt, luchtkoeling, OHV
Nominaal vermogen (kW/3600rpm)	3.8
Max. koppel (N·m/rpm)	13/3000
Brandstofverbruik (g/kW·h)	≤395
Stationair	1400±150
Snelheid Wisselverhouding	≤10%
Transmissie modus	-
Verminderingsratio	-
Geluid (≤)	70db(A)
Boring Slag (mm)	68×54
Verplaatsing (cc)	196
Compressieverhouding	8.5:1
Smeerwijze	Spat
Startmodus	Startmotor (Startmotor / Elektrisch starten)
Rotatie	Tegen de klok in (vanaf P.T.O. zijde)
Klepspeling	ingangsklep - 0,10 - 0,15mm, uitgangsklep - 0,15 - 0,20mm
Bougie speling	0.7 - 0.8mm
Ontstekingsmodus	Magneetontsteking
Luchtfilter	Halfdroog, Oliebad, Schuimfilter
Afmeting (Lengte)	312mm
Afmeting (Breedte)	376mm
Afmeting (Hoog)	335mm
Netto gewicht (kg)	16(19)

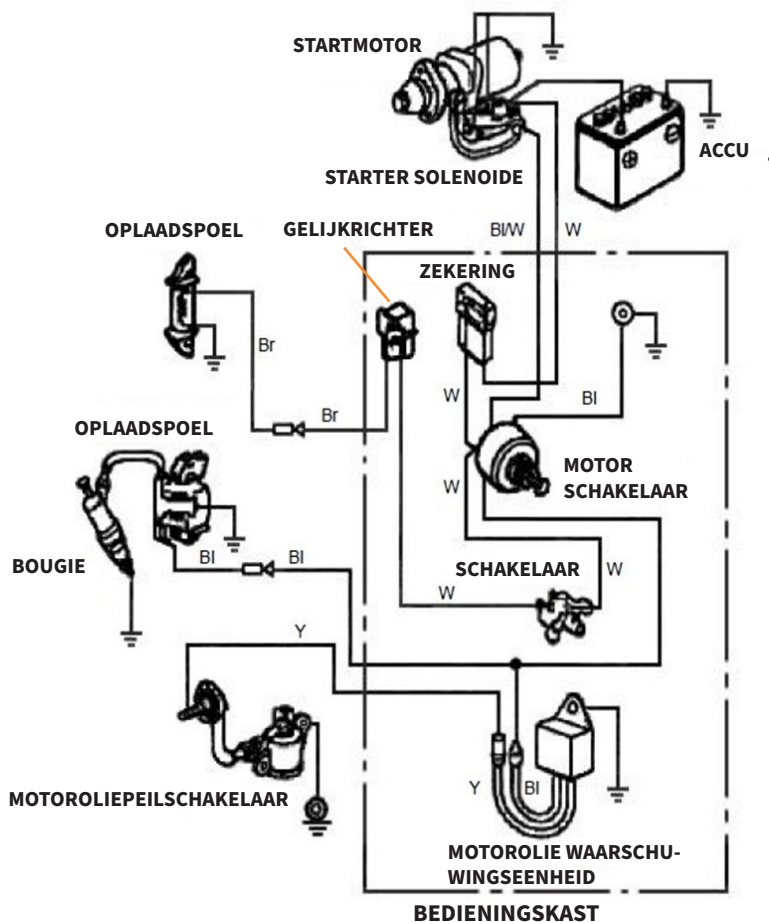
EXTRA INFORMATIE

BEDRADINGSSCHEMA'S

MOTORSCHAKELAAR

	IG	E	ST	BAT
OFF	O	O		
ON				
START			O	O

BI	ZWART	BR	BRUIN
Y	GEEL	R	ROOD
W	WIT	G	GROEN

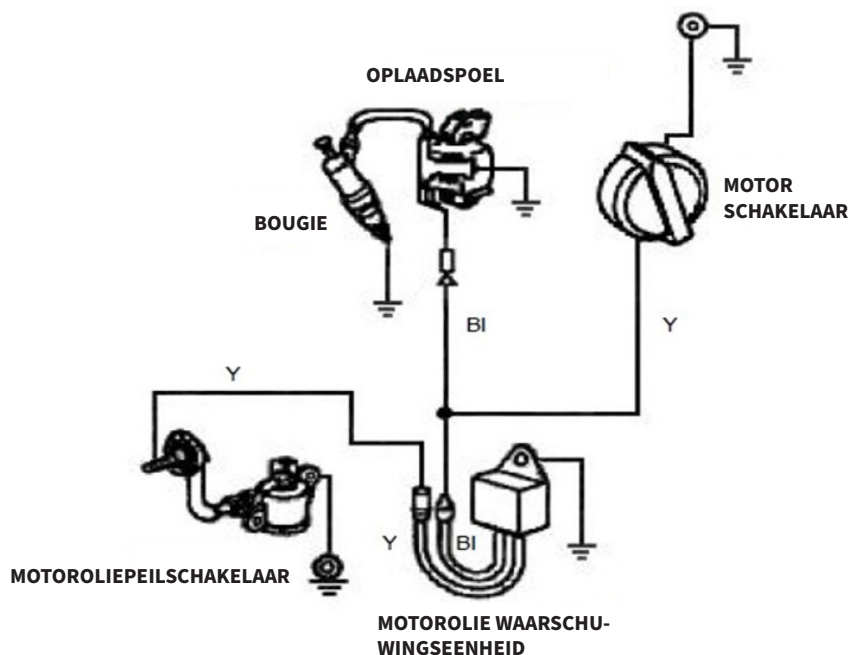


EXTRA INFORMATIE

BEDRADINGSSCHEMA'S

MOTORTYPE MET OLIEWAARSCHUWING EN ZONDER ELEKTRISCHE START

BI	ZWART
Y	GEEL
G	GROEN



EXTRA INFORMATIE

CONSUMENTENINFORMATIE

ACCU

ACCU - OPTIONEEL ONDERDEEL

Gebruik een accu van 12V, 18Ah of meer.



WAARSCHUWING!

Draai de polariteit niet om. Er kan ernstige schade aan de motor en/of de accu ontstaan.



WAARSCHUWING!

Een accu kan exploderen als u de juiste procedure niet volgt, waardoor iedereen in de buurt ernstig gewond kan raken. Houd vonken, open vuur en rookwaren uit de buurt van de accu.

Controleer of het elektrolytpeil zich tussen de markeringen op de behuizing bevindt. Als het niveau lager is dan de onderste markering, verwijdert u de doppen en voegt u gedestilleerd water toe om het elektrolytniveau op de bovenste markering te brengen. De cellen moeten even vol zijn.



SPECIFIKATION

PRODUKTBESKRIVNING

Din nya minitransporter kommer mer än att tillfredsställa dina förväntningar. Den har tillverkats under stränga kvalitetsstandarder för att uppfylla överlägsna prestandakriterier. Du kommer att upptäcka att den är enkel och säker att använda, och med rätt skötsel kommer den att ge dig många år av pålitlig service.

Den fyrväxlade växellådan, tre framåt och en bakåt, ligger i hjärtat av enheten. Den är överdimensionerad för att säkert hantera de enorma vridmoment som genereras av motorn. Tack vare sin effektiva reduktionsväxling kan den röra sig i alla situationer och bära vilken belastning som helst.

Motortillverkaren är ansvarig för alla motorrelaterade frågor med avseende på prestanda, effekt, specifikationer, garanti och service. Se avsnittet Motormanual.

PRODUKTSPECIFIKATIONER

Motor	196cc 6.5HP
Bränsletyp	Blyfri bensin (95)
Överföring	3F + 1R
Lastkapacitet	300kg
Lådans längd	907-1004mm
Box bredd	600-860mm
Box djup	210mm
Spårbredd	180mm
Ljudeffektnivå	103dB
Vikt	178kg

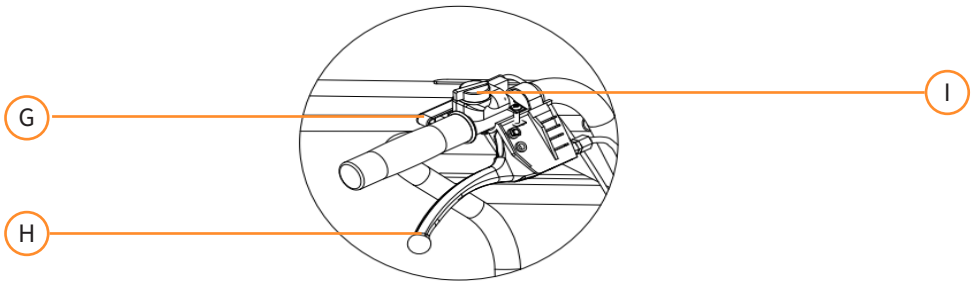
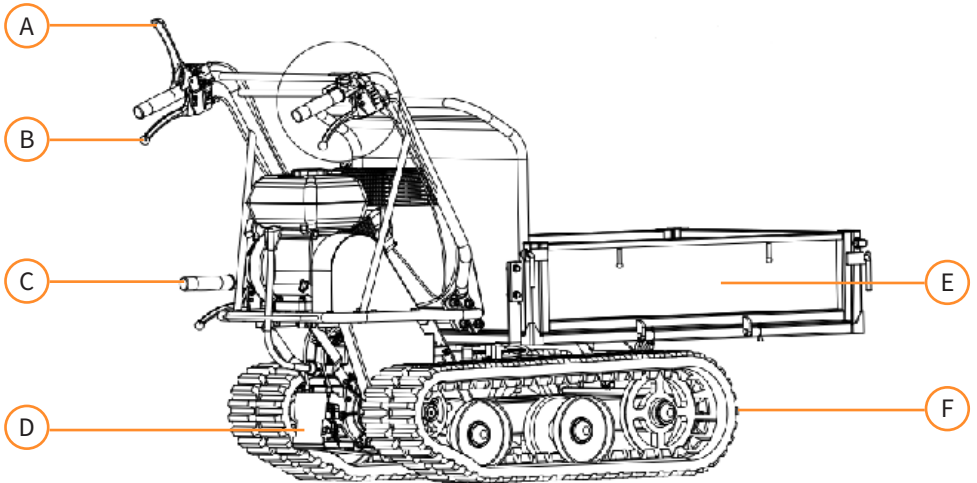
INNEHÅLL

Delnr.	Beskrivning	Kvantitet
1	Stordator	1
2	Styremontage	1
3	Tipphandtag	1
4	Dumper Box	1
5	Instruktionsmanual	1

SPECIFIKATION

PRODUKTBESKRIVNING

- | | |
|---------------------|-------------------|
| A. Kopplingsspak | F. Spår |
| B. Vänster styrspek | G. Gasreglage |
| C. Tipphandtag | H. Höger styrspek |
| D. Växellåda | I. På/av-knapp |
| E. Dumpbox | |



Monster Group UK Limiteds ansvar är begränsat till produktens kommersiella värde.

SÄKERHETS RÅD

! SÄKER ARBETSPRAXIS



! VARNING!

Denna maskin får endast användas av personer över 18 år.

Förstå din maskin

- Läs och förstå bruksanvisningen och etiketter som är fästa på maskinen. Lär dig dess tillämpning och begränsningar samt de specifika potentiella farorna som är speciella för den.
- Var väl förtrogen med kontrollerna och deras korrekta funktion. Vet hur du stoppar maskinen och kopplar ur reglagen snabbt.
- Se till att du läser och förstår alla instruktioner och säkerhetsföreskrifter som beskrivs i avsnittet Motormanual.
- FÖRSÖK INTE att använda maskinen förrän du till fullo förstår hur man använder och underhåller motorn på rätt sätt och hur man undviker oavsiktliga skador och/eller egendomsskador.

Arbetsyta

- Starta eller kör INTE maskinen i ett stängt område. Avgaserna är farliga och innehåller kolmonoxid, en luktfri och dödlig gas. Använd endast denna enhet i ett välventilerat område utomhus.
- ANVÄND INTE maskinen utan god sikt eller ljus.

Klä dig ordentligt

- Bär tunga långbyxor, stövlar och handskar.
- BÄR INTE löst sittande kläder, shorts och smycken av något slag.
- Fäst långt hår så att det är över axelhöjd.
- Håll ditt hår, kläder och handskar borta från rörliga delar.

SÄKERHETSÅD

SÅKER ARBETSÅRAXIS

Anvånd sÅkerhetsutrustning

- Anvånd alltid Ågonskydd. SÅkerhetsutrustning som en dammask, hjÅlm eller hÅrselskydd som anvÅnds fÅr lÅmpliga fÅrhÅllanden kommer att minska personskador.
- Kontrollera din maskin innan du startar den. HÅll skydden pÅ plats och i fungerande skick. Se till att alla muttrar, bultar etc. År ordentligt Åtdragna.
- Anvånd INTE maskinen nÅr den År i behov av reparation eller År i dÅligt mekaniskt skick. Byt ut skadade, saknade eller trasiga delar innan du anvÅnder den. Kontrollera om brÅnslet lÅcker. HÅll maskinen i sÅkert arbetsskick.
- Ta INTE bort eller manipulera sÅkerhetsanordningar. Kontrollera regelbundet att de fungerar korrekt.
- ANVÅND INTE maskinen om motors strÅmbrytare inte slÅr pÅ eller av den. Alla bensindrivna maskiner som inte kan styras med motorstrÅmbrytaren År farliga och mÅste bytas ut.
- Ta fÅr vana att kontrollera att nycklar och justeringsnycklar År borttagna frÅn maskinomrÅdet innan du startar den. En skiftnyckel eller en nyckel som sitter kvar pÅ en roterande del av maskinen kan leda till personskada.
- Var uppmÅrksam, titta pÅ vad du gÅr och anvånd sunt fÅrnuft nÅr du anvÅnder maskinen.
- STRÅCK INTE ut dig fÅr lÅngt frÅn fordonet.
- Anvånd INTE maskinen barfota eller nÅr du bÅr sandaler eller liknande lÅttviktskor. BÅr skyddsskor som skyddar dina fÅtter och fÅrbÅtttrar fotfÅstet pÅ hala underlag. HÅll alltid rÅtt fotfÅste och balans. Detta mÅjliggÅr bÅttre kontroll Åver maskinen i ovÅntade situationer.
- Undvik oavsiktlig start. Se till att motorn År avstÅngd innan du transporterar maskinen eller utfÅr nÅgot underhÅll eller service pÅ enheten. Att transportera eller utfÅra underhÅll eller service pÅ en maskin med motor pÅ inbjuder olyckor.

SÄKERHETS RÅD

SÄKER ARBETSPRAXIS

Personlig säkerhet

- Använd INTE maskinen när du är påverkad av droger, alkohol eller någon annan medicin som kan påverka din förmåga att använda den på rätt sätt.

Bränslesäkerhet

- Bränsle är mycket brandfarligt och dess ångor kan explodera om det antänds. Vidta försiktighetsåtgärder när du använder den för att minska risken för allvarliga personskador.
- När du fyller på eller tömmer bränsletanken, använd en godkänd bränslebehållare när du befinner dig i ett rent, välventilerat utomhusutrymme.
- Rök INTE och tillåt INTE gnistor, öppen låga eller andra antändningskällor nära området när du fyller på bränsle eller använder enheten. Fyll aldrig bränsletanken inomhus.
- Håll jordade ledande föremål, såsom verktyg, borta från utsatta, strömförande elektriska delar och anslutningar för att undvika gnistor eller ljusbågsbildning. Dessa händelser kan antända ångor.
- Stanna alltid motorn och låt den svalna innan du fyller på bränsletanken. Ta aldrig av locket på bränsletanken och fyll aldrig på bränsle medan motorn är igång eller när motorn är varm.
- Kör INTE maskinen med kända läckor i bränslesystemet.
- Lossa bränsletanklocket långsamt för att lätta på trycket i tanken.
- Överfyll aldrig bränsletanken. Fyll tanken till högst 12,5 mm (1/2") under botten av påfyllningshalsen för att ge utrymme för expansion eftersom värmen från motorn kan få bränslet att expandera.
- Sätt tillbaka alla bränsletankar och behållarlock ordentligt och torka upp utspillt bränsle. Använd aldrig enheten utan att tanklocket är säkert på plats.

SÄKERHETSÅD

SÅKER ARBETSÅRAXIS

- Undvik att skapa en antändningskälla för utspillt bränsle. Om bränsle spills, försök inte starta motorn utan flytta maskinen bort från spillområdet och undvik att skapa någon antändningskälla tills bränsleångorna har försvunnit.
- Förvara bränsle i behållare speciellt utformade och godkända för detta ändamål.
- Förvara bränslet på ett svalt, välventilerat utrymme, säkert borta från gnistor, öppen låga eller andra antändningskällor.
- Förvara aldrig bränsle eller maskin med bränsle i tanken inne i en byggnad där ångor kan nå en gnista, öppen låga eller andra antändningskällor, såsom en varmvattenberedare, ugn, torktumlare etc. Låt motorn svalna innan den förvaras i ett instängt område.

Maskinanvändning och skötsel

- Placera maskinen på ett sådant sätt att den inte kan röra sig under underhåll, rengöring, justering, montering av tillbehör eller reservdelar, samt under förvaring.
- Tvinga INTE maskinen. Använd rätt maskin för din applikation. Rätt maskin kommer att göra jobbet bättre och säkrare i den takt som den är designad för.
- Ändra INTE motorregulatorns inställningar eller övervarvtala motorn. Regulatorn styr motorns maximala säkra varvtal.
- Kör INTE motorn med högt varvtal när du inte arbetar.
- Placera INTE händer eller fötter nära roterande delar.
- Undvik kontakt med hett bränsle, olja, avgaser och heta ytor.
- RÖR INTE motorn eller avgaserna. Dessa delar blir extremt varma. De förblir varma en kort stund efter att du har stängt av maskinen. Låt motorn svalna innan du utför underhåll eller justeringar.

SÄKERHETSÅD

SÅKER ARBETSÅRAXIS

- Om maskinen skulle brja avge ett ovanligt ljud eller vibrationer, stång omedelbart av motorn, koppla loss tåndstiftskabeln och kontrollera orsaken. Ovanligt ljud eller vibrationer är i allmånhet en varning fr problem.
- Anvånd endast tillbehr och delar som godkånst av tillverkaren. Underlåttenhet att gra det kan leda till personskada.
- Underhåll maskinen. Kontrollera om rrliga delar är felinriktade eller fastnar, delar som går snder och andra tillstånd som kan pverka maskinens funktion. Om maskinen är skadad ska den repareras fre anvåndning. Många olyckor orsakas av dligt underhållen utrustning.
- Håll motorn och avgaserna fria från grås, lv, verfldigt fett eller kolansamling fr att minska risken fr brandrisk.
- Slåck eller spruta aldrig enheten med vatten eller annan vtska. Håll handtagen torra, rena och fria från skråp. Rengr efter varje anvåndning.
- Flj lagar och regler fr avfallshantering av bensin, olja etc. fr att skydda miljn.
- Frvara maskinen utom rckhåll fr barn och låt inte personer som inte är bekanta med maskinen eller dessa instruktioner anvånd den. Maskinen är farlig i hnderna p utbildade anvåndare.

Service

- Innan du rengr, reparerar, inspekterar eller justerar, stång av motorn och se till att alla rrliga delar har stannat. Koppla bort tåndstiftskabeln och håll kabeln borta från tåndstiftet fr att frhindra oavsiktlig start.
- Låt din maskin servas av kvalificerad reparationspersonal som endast anvånd identiska reservdelar. Detta skerstller att maskinens skerhet upprthålls.

SÄKERHETSÅD

SÅKER ARBETSÅRAXIS

- Inspektera noggrant området som ska arbetas, håll arbetsområdet rent och fritt från skräp för att förhindra snubbling. Arbeta på plan, jämn mark.
- Placera ALDRIG någon del av din kropp där den skulle vara i fara om rörelse skulle uppstå under montering, installation och drift, underhåll, reparation eller flyttning.
- Håll alla åskådare, barn och husdjur minst 23 m (75 fot) bort. Om du blir kontaktad, stoppa enheten omedelbart.
- Klättra INTE på timplådan och transportera aldrig passagerare.
- Parkera ALDRIG maskinen på instabil mark som kan ge vika, särskilt när den är full.
- Lossa kopplingsspaken innan du startar motorn.
- Starta motorn försiktigt enligt instruktionerna och med fötterna långt borta från de rörliga delarna.
- Lämna ALDRIG arbetspositionen när motorn är igång.
- Håll alltid enheten med båda händerna när du använder den. Håll ett stadigt grepp om styret. Var medveten om att maskinen oväntat kan studsas uppåt eller hoppa framåt om maskinen skulle stöta på nedgrävda hinder såsom stora stenar.
- Gå, spring aldrig med maskinen.
- Överbelasta INTE maskinens kapacitet.
- Kör med en säker hastighet, anpassa hastigheten till markens lutning, vägens ytförhållanden och lastens vikt.
- Var ytterst försiktig när du backar eller drar maskinen mot dig.

SÄKERHETSÅD

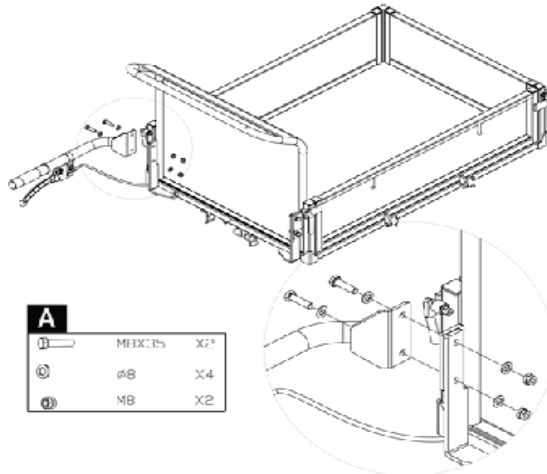
SÅKER ARBETSÅRAXIS

- Iakta extrem försiktighet nÅr du kÅr pÅ eller korsar grusvÅgar, promenader eller vÅgar. Var uppmÅrksam pÅ dolda faror eller trafik.
- PÅ mjuk mark, kÅr med fÅrsta vÅxeln framÅt/back.
- Accelerera, svÅng eller stanna INTE snabbt.
- Var ytterst uppmÅrksam nÅr du arbetar pÅ frusen mark eftersom maskinen kan ha en tendens att sladda.
- Undvik om mÅjligt att kÅr pÅ stenig flodbÅdd, terrÅng av krossad sten, stÅlbetong, stubbigt fÅlt, stockar etc., eftersom en sÅdan operation orsakar dÅdlig skada eller fÅrkortar bandens livslÅngd.
- AnvÅnd INTE maskinen i trÅnga utrymmen dÅr det kan finnas risk fÅr att operatÅren klÅms mellan maskinen och ett annat fÅremÅl.
- AnvÅnd ALDRIG maskinen i sluttningar dÅr vinkeln År Åver 20°.
- NÅr du rÅr dig Åver en sluttning, oavsett om du rÅr dig framÅt eller bakÅt, se alltid till att vikten År jÅmnt balanserad. RÅr dig alltid i riktningar parallella med sluttningen (upp eller ner). FÅr att undvika fara, vÅxla inte i sluttningar.
- Vid tippning av lasten frÅn en dumper kommer tyngdpunkten att fÅrÅndras kontinuerligt, och markfÅrhÅllandena kommer att vara avgÅrande fÅr maskinens stabilitet. Det finns sÅrskilda faror fÅr dumpers som arbetar pÅ mjuk mark och nÅr lasten fastnar pÅ kroppen t.ex. blÅt lera.

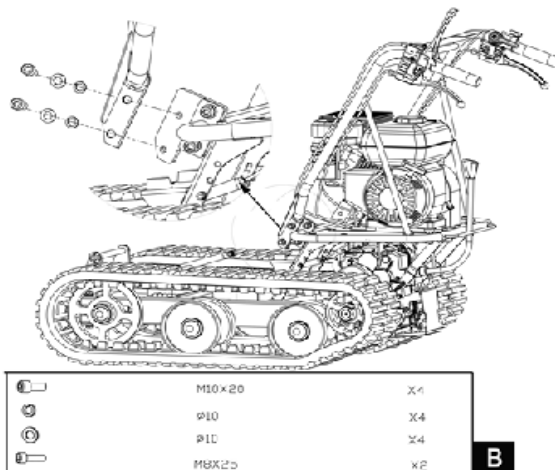
ANVÄNDARGUIDE

MONTERINGSANVISNINGAR

- Montera tipphandtaget på panelens högra sida. Rikta in hålen och fäst med två M8x35 sexkantsbultar, fyra brickor och två muttrar.



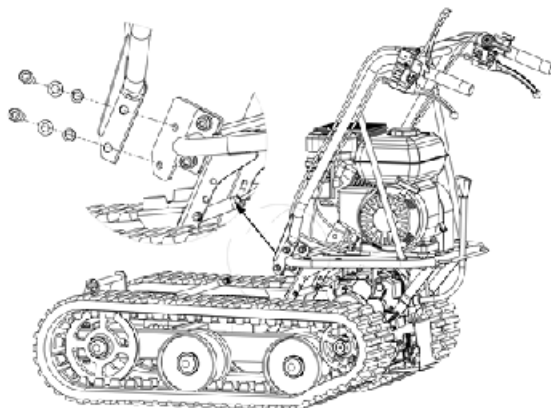
- Rikta in hålen på styret med monteringsfästet och fäst var och en med en fjäderbricka, platt bricka och en M10x20 bult. Fäst varje styrestöd på motordäcket med en fjäderbricka, plattbricka och en M8x25 sexkantsbult.



ANVÄNDARGUIDE

BRUKSANVISNINGAR

- Placera bottenpanelen inuti monteringsfästet. Rikta in hålen med monteringsfästet. Sätt in ett långt stift genom hålen och fäst varje sida med en platt bricka och stift.



	M10x20	x4
	Ø10	x4
	Ø10	x4
	M8x25	x2

B

Motorolja



WARNING!

Oljan har tappats ut för frakt. Underlåtenhet att fylla motorråget med olja innan motorn startas kommer att resultera i permanent skada och kommer att ogiltigförklara motorgarantin.

Add oil according to Engine Manual section on page 359.

ANVÄNDARGUIDE

BRUKSANVISNINGAR

STARTA MOTORN

- En mer detaljerad beskrivning av motorns funktion och alla relaterade försiktighetsåtgärder och procedurer finns i motormanualen från sidan 346 med denna manual.
- Följ proceduren nedan för kallstarter:
- Sätt växelspaken i neutralläge.
- Vrid choken på motorn till fullt chokeläge.
- Slå på motorströmbrytaren.
- Dra sakta i startrepet flera gånger så att bensinen kan rinna in i motorns förgasare. Håll sedan stadigt i starthandtaget och dra ut repet en liten bit tills du känner ett motstånd. Dra sedan i repet mjukt och snabbt och låt repet återvända försiktigt. Låt inte repet snäppa tillbaka. Dra vid behov i repet flera gånger tills motorn startar.
- Låt motorn gå i flera sekunder för att värmas upp. Flytta sedan stoppspaken gradvis till "ÖPPEN"-läget.



VARNING!

Låt motorn värmas upp i några sekunder innan du lägger i en växel.

- Att starta om en motor som redan är varm från tidigare körning kräver normalt inte användning av choken.
- Ställ gasreglaget på styret i halvägsläge.
- Håll stadigt i starthandtaget och dra ut repet en kort bit tills du känner ett motstånd. Dra sedan i repet mjukt och snabbt och låt repet återvända försiktigt. Låt inte repet snäppa tillbaka.

ANVÄNDARGUIDE

BRUKSANVISNINGAR

- Efter att motorn har värmts upp, tryck långsamt på kopplingsreglaget, lägg sedan i önskad växel, om växeln inte lägger i direkt, släpp långsamt kopplingsspaken och försök igen. På detta sätt kommer minidumpern att börja röra sig.
- Dra i gasreglaget för att öka motorvarvtalet.
- Minidumpern har styrspakar på styret och detta gör styrningen mycket enkel. För att svänga höger eller vänster, använd helt enkelt motsvarande höger eller vänster styrspak.
- Styrningens känslighet ökar i proportion till maskinens hastighet och att med den tomma maskinen är lätt är ett tryck på spaken allt som behövs för att svänga. När maskinen är lastad krävs mer tryck.
- Minidumpern har en maximal kapacitet på 300 kg, men det är tillrådligt att bedöma lasten och anpassa den efter underlaget som maskinen ska användas på.
- Lasta aldrig mer än 300 kg
- Det är därför lämpligt att täcka sådana sträckor med låg växel och vara extra försiktig. I sådana situationer bör maskinen hållas i låg växel under hela sträckan.
- Undvik skarpa svängar och frekventa riktningbyten när du kör på vägen, särskilt i grov, hård terräng full av vassa, ojämna punkter med hög friktion.
- Även om enheten har gummiband, kom ihåg att vara försiktig när du arbetar under ogynnsamma väderförhållanden (is, kraftigt regn och snö) eller på typer av underlag som kan göra minidumpern instabil.
- Observera att eftersom det här är ett bandfordon utsätts det för en betydande stigning när det passerar över gupp, hål och trappsteg.
- När kopplingsreglaget släpps kommer maskinen att stanna och bromsa automatiskt, gasreglaget avaktiveras.
- Om maskinen stoppas i en brant sluttning ska en kil placeras mot ett av banden.

ANVÄNDARGUIDE

BRUKSANVISNINGAR

Tomgångshastighet

Ställ in gasreglaget i sitt "SLOW" läge för att minska påfrestningen på motorn när arbete inte utförs. Att sänka motorvarvtalet för att gå på tomgång hjälper till att förlänga motorns livslängd, samt spara bränsle och minska maskinens ljudnivå.

Stoppa motorn

För att stoppa motorn i en nödsituation, släpp kopplingsreglaget och vrid sedan motoromkopplaren till läget "OFF". Under normala förhållanden, använd följande procedur:

- Flytta gasreglaget till "SLOW"-läget.
- Låt motorn gå på tomgång i en eller två minuter.
- Vrid motoromkopplaren till läget "OFF".
- Vrid bränsleventilspaken till läget "OFF".



WARNING!

Flytta INTE chokereglaget till CHOKE för att stoppa motorn.
Baktändning eller motorskada kan uppstå.

ANVÄNDARGUIDE

UNDERHÅLL

Korrekt underhåll och smörjning hjälper maskinen att vara i perfekt skick.

Förebyggande underhåll

- Stäng av motorn och koppla ur alla manöverspakar. Motorn måste vara kall.
- Inspektera enhetens allmänna skick. Kontrollera om det finns lösa skruvar, felinriktning eller fastsättning av rörliga delar, spruckna eller trasiga delar och andra tillstånd som kan påverka dess säkra funktion.
- Ta bort allt skräp och annat material som kan ha samlats på spåret och enheten. Rengör efter varje användning. Använd sedan en lättviktsmaskinolja av högsta kvalitet för att smörja alla rörliga delar.



VARNING!

Använd aldrig en "högtrycksvätt" för att rengöra din enhet. Vatten kan tränga in i trånga områden på maskinen och dess transmissionshölje och orsaka skador på spindlar, växlar, lager eller motorn. Användning av högtrycksvättar kommer att resultera i förkortad livslängd och minskad servicebarhet.

Justering av koppling

När kopplingen slits kan samma spak ha en bredare öppning, vilket är så krångligt att använda. Detta innebär att det är nödvändigt att justera vajern, ställa in kopplingsspaken i sitt ursprungliga läge som verkar på justeringsanordningen och på kontramuttern.

Justering av styrning

Om du har svårt att styra enheten måste du justera styrspakarna med specialjusteringarna. Lossa låsmuttern och skruva loss justerarna för att eliminera glappet i kabeln, som kan uppstå efter första användning eller normalt slitage. Var mycket noga med att inte skruva av justerarna för mycket eftersom detta kan skapa ett annat problem: förlust av dragkraft. Kom ihåg att dra åt låsmuttern när du är klar.

ANVÄNDARGUIDE

UNDERHÅLL

Smörjning

Växellådan är försmord och tätad på fabrik.

Kontrollera oljenivån var 50:e arbetstimme. Ta bort pluggen och kontrollera, med maskinen horisontellt, olja när de två skårorna. Tillsätt oljan vid behov.

Använd bärbart verktygslitium #0-fett som Lubriplate 630AA, Lubriplate GR-132 eller Multifak, t.ex. EP-O.

Oljan måste bytas ut när den är varm genom att skruva av ett påfyllningslock och en plugg utrustad med en oljesticka. När oljan är helt tömd, sätt tillbaka påfyllningslocket och fyll på med ny olja.

Spänning av band

Vid användning tenderar banden att lossas något. Vid körning med lösa band tenderar de att glida över drivhjulet, vilket får det att hoppa över sitt hölje eller att arbeta i en prekär situation, vilket skadar slitaget på höljet.

För att kontrollera bandens stramhet, fortsätt enligt följande.

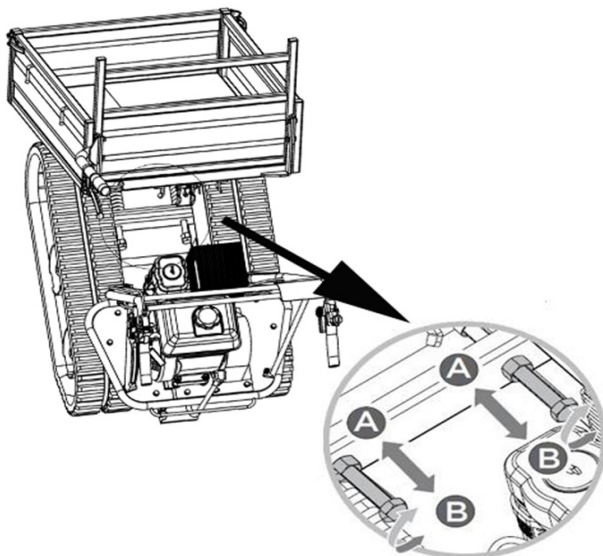
- Ställ maskinen på en plan yta med kompakt mark, bättre på asfalt eller stenbeläggning.
- Lyft maskinen och ställ den på block eller stöd som är dimensionerade för maskinens vikt så att banden är cirka 100 mm från marken.
- Mät bandets mittlinje kontra den horisontella linjen. Avläsningen får inte vara mer än 10-15 mm.

ANVÄNDARGUIDE

UNDERHÅLL

Om avståndet är större, fortsätt enligt följande.

- Använd tippandtaget för att tippa tiplådan och placera den på block eller stöd som är dimensionerade för lådans vikt.



- Lossa låsmutter 'A'.
- Dra åt bult 'B' tills rätt åtdragning återställs.
- Säkra bulten 'B' genom att dra åt låsmuttern 'A' ordentligt.
- Sätt tillbaka dumpboxen till dess ursprungliga position.



WARNING!

Justeringen av banden och bromsarna är sammanlänkade, var därför mycket försiktig eftersom om spåret spänns för hårt kommer bromseffekten att gå förlorad.



WARNING!

Om justeringsbulten inte har mer justering kvar, kan spåren behöva bytas ut.

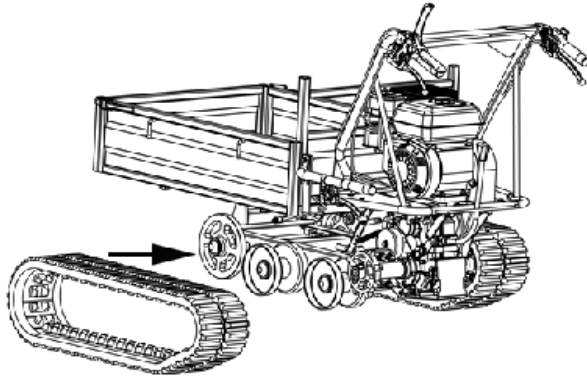
ANVÄNDARGUIDE

UNDERHÅLL

Ersätta band

Kontrollera med jämna mellanrum spårens skick. Om ett band är sprucket eller slitet bör den bytas ut så snart det är lämpligt.

- Lossa låsmuttern "A" och bulten "B" som visas i "SPÄNNING AV BAND" för att lossa banden.



- Förskjut de gamla banden och installera de nya banden.
- Justera bulten 'B' för att säkerställa korrekt åtdragning.
- Säkra bulten 'B' genom att dra åt låsmuttern 'A' ordentligt.



VARNING!

När du tar bort eller installerar band, var försiktig så att du inte klämmer fingrarna mellan skenan och remskivan.

ANVÄNDARGUIDE

UNDERHÅLL

Motorunderhåll

Se motorhandboken som ingår i denna manual för information om motorunderhåll. Motormanualsektionen ger detaljerad information och ett underhållsschema för att utföra uppgifterna.

Om minidumpern inte kommer att användas under längre tid än 30 dagar, följ stegen nedan för att förbereda din enhet för förvaring.

- Töm bränsletanken helt. Lagrat bränsle som innehåller etanol eller MTBE kan börja förfalla på 30 dagar. Inaktuellt bränsle har högt gummiinnehåll och kan tappa till förgasaren och begränsa bränsleflödet.
- Starta motorn och låt den gå tills den stannar. Detta säkerställer att inget bränsle finns kvar i förgasaren. Kör motorn tills den stannar. Detta hjälper till att förhindra att gummiavlagringar bildas inuti förgasaren och eventuella motorskador.
- Tappa ur oljan från motorn medan motorn fortfarande är varm. Fyll på med färsk olja av den kvalitet som rekommenderas på sidan 361.
- Använd rena kläder för att rengöra maskinens utsida och för att hålla luftventilerna fria från hinder.



VARNING!

ANVÄND INTE starka rengöringsmedel eller petroleumbaserade rengöringsmedel vid rengöring av plastdelar. Kemikalier kan skada plast.

- Inspektera för lösa eller skadade delar. Reparera eller byt ut skadade delar och dra åt lösa skruvar, muttrar eller bultar.
- Förvara din enhet på plan mark i en ren, torr byggnad som har god ventilation.



VARNING!

Förvara INTE maskinen med bränsle i ett icke-ventilerat utrymme där bränsleångor kan nå lågor, gnistor, pilotljus eller andra antändningskällor.

FELSÖKNING

LÖSNINGSGUIDE

VAD GÖR JAG OM DET SAKNAS DELAR FRÅN MIN BESTÄLLNING?

Om det verkar som om någon del saknas i din beställning, kontakta vårt vänliga och hjälpsamma kundsupportteam inom 7 dagar efter mottagandet.

Problem	Anledning	Råd
Motorn startar inte	Tändstiftskabeln fränkopplad	Fäst tändstiftskabeln ordentligt i tändstiftet.
	Slut på bränsle	Fyll på ren, färsk bensin.
	Choken inte i öppet läge.	Gasreglaget måste stå på choken för en kallstart.
	Blockerad bränsleledning	Rengör bränsleledningen.
	Smutsigt tändstift	Rengör, justera mellanrummet eller byt ut.
	Motor översvämmad	Vänta några minuter för att starta om, men fyll inte på.
Motorn går oregelbundet	Tändstiftskabeln lös.	Anslut och dra åt tändstiftskabeln
	Enheten körs på CHOKE	Flytta choken till "OFF".
	Blockerad bränsleledning eller inaktuellt bränsle	Rengör bränsleledningen. Fyll tanken med ren, färsk bensin.
	Ventilen tilltäppt	Rensa ventilen.
	Vatten eller smuts i bränslesystemet.	Töm bränsletanken. Fyll på nytt bränsle.
	Smutsig luftrenare	Rengör eller byt ut luftrenaren.
	Felaktig justering av förgasaren.	Se motormanualen.

FELSÖKNING

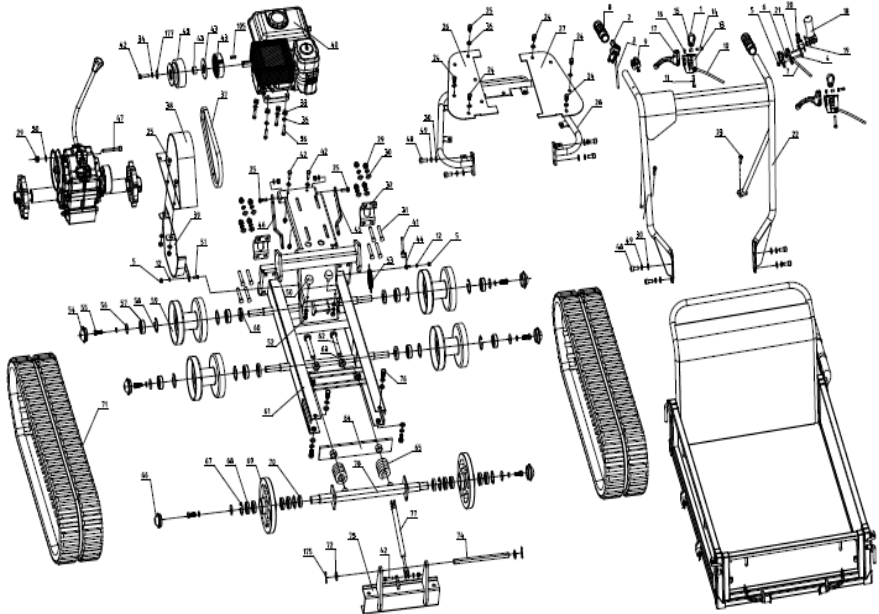
LÖSNINGSGUIDE

Problem	Anledning	Lösning
Motorn överhettas	Motoroljenivån låg.	Fyll vevhuset med rätt olja.
	Smutsig luftrenare.	Rengör luftrenare.
	Luftflödet begränsat.	Ta bort höljet och rengör det.
	Förgasaren inte korrekt justerad.	Se motorhandboken på sidan 349.
Ett av de två banden är blockerat	Främmande delar har arbetat sig fram mellan banan och ramen.	Ta bort den främmande delen.
Maskinen rör sig inte när motorn är igång.	Växeln är inte korrekt vald	Se till att växelspaken inte är mellan två olika växlar.
	Körband inte tillräckligt täta.	Dra åt körspåren

FÖR ALLA ANDRA FRÅGOR, KONTAKTA VÅRT KUNDSUPPORT-TEAM.

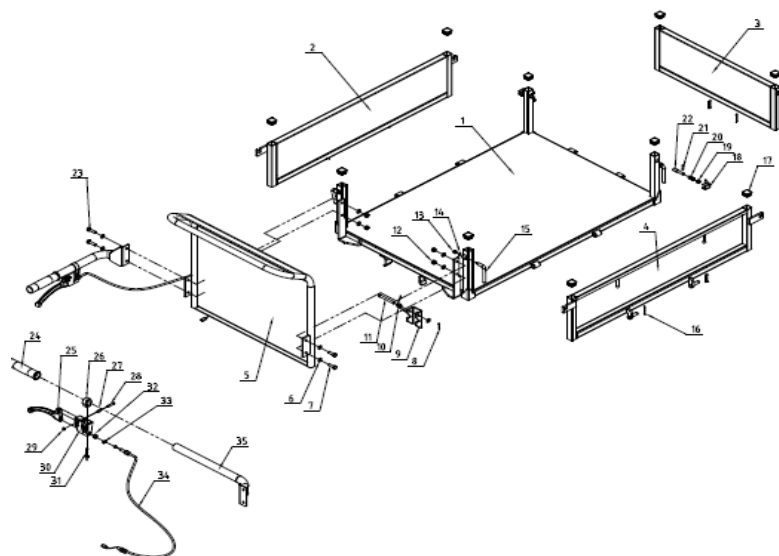
ÖVERSIKT AV DELAR

TRANSPORTERINGSDELAR



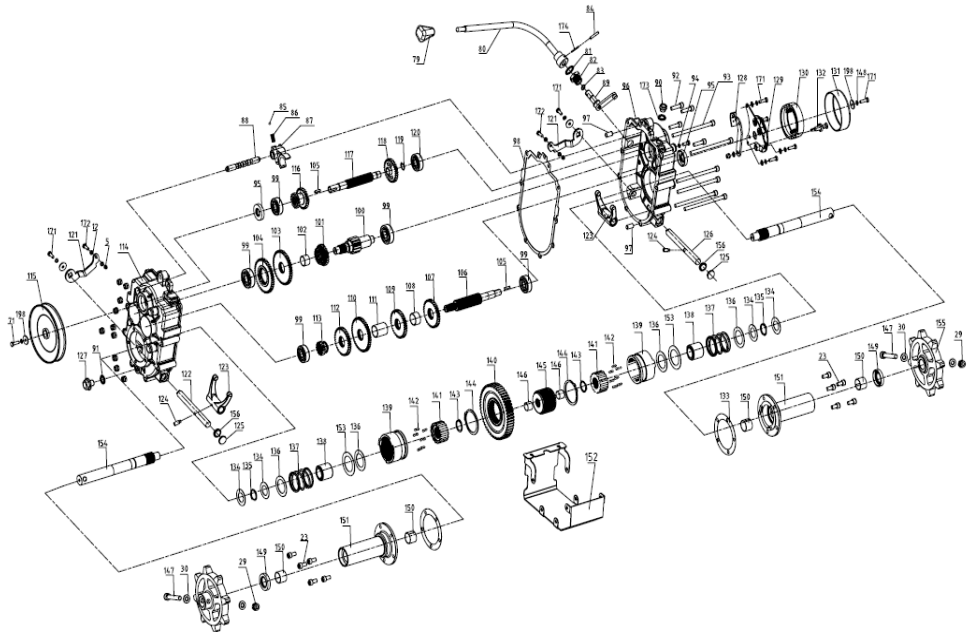
ÖVERSIKT AV DELAR

DUMPERLÅDA



ÖVERSIKT AV DELAR

VÄXELLÅDA



ANVÄNDARGUIDE

MOTORMANUAL

MOTORSÄKERHET

VIKTIG SÄKERHETSINFORMATION

- De flesta olyckor med motorer kan förhindras om du följer alla instruktioner i denna manual och på motorn. Några av de vanligaste farorna diskuteras nedan, tillsammans med det bästa sättet att skydda dig själv och andra.

ÄGARENS ANSVAR

- Motorena är konstruerade för att ge säker och pålitlig service om de används enligt instruktionerna. Läs och förstå denna bruksanvisning innan du använder motorn. Underlåtenhet att göra det kan leda till personskada eller skada på utrustningen.
- Vet hur man stoppar motorn snabbt och förstå hur alla reglage fungerar.
- Tillåt ALDRIG någon att köra motorn utan korrekta instruktioner.
- LÅT INTE barn använda motorn. Håll barn och husdjur borta från arbetsområdet.

FYLL PÅ BRÄNSLE MED FÖRSIKTIGHET

- Bensin är extremt brandfarligt och bensinånga kan explodera. Tanka utomhus, i ett välventilerat utrymme, med motorn avstängd.
- Rök ALDRIG nära bensin och håll andra lågor och gnistor borta. Förvara alltid bensin i godkänd behållare. Om något bränsle spills, se till att området är torrt innan du startar motorn.

RISK FÖR KOLMONOXID

- Avgaserna innehåller giftig kolmonoxid. Undvik inandning av avgaser. Kör ALDRIG motorn i ett stängt garage eller instängt utrymme.

ANVÄNDARGUIDE

MOTORMANUAL

ENGINE SAFETY

HET AVGAS

Avgaserna blir mycket varma under drift och förblir varma en stund efter att motorn stoppats. Var noga med att inte röra vid avgasröret när det är varmt. Låt motorn svalna innan den förvaras inomhus.

För att förhindra brandrisker och för att ge tillräcklig ventilation för stationära utrustningstillämpningar, håll motorn minst 3 fot (1 meter) från byggnadsväggar och annan utrustning under drift. Placera INTE brännbara föremål nära motorn.

ANNAN UTRUSTNING

Läs instruktionerna som medföljer utrustningen som drivs av denna motor för ytterligare säkerhetsåtgärder som bör iakttas i samband med motorstart, avstängning, drift eller skyddskläder som kan behövas för att använda utrustningen.

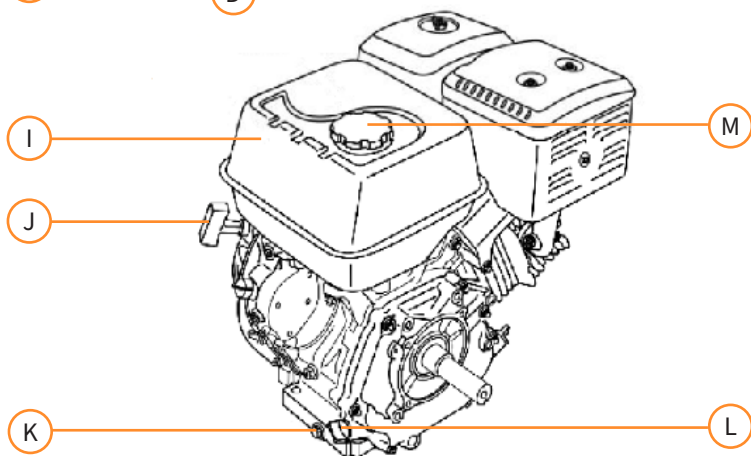
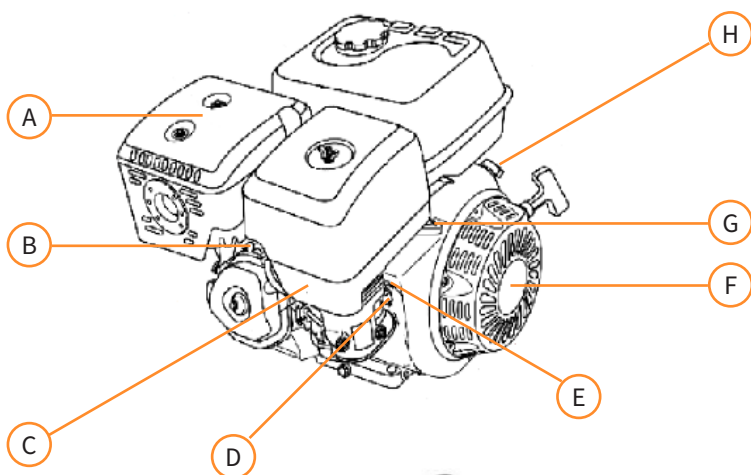
MOTORKAPACITETER

Bränsletankkapacitet G200F	3.8 liter
Oljekapacitet	0.6 liter
Motorolja	10W-30

ANVÄNDARGUIDE

KOMPONENTER OCH KONTROLLPLATSER

- A. AVGAS
- B. TÄNDKOPP
- C. LUFTRENARE
- D. BRÄNSLEVENTIL
- E. CHOKE
- F. REKYLSTARTER
- G. GAS
- H. TÄNDNINGSBRYTARE
- I. BRÄNSLETANK
- J. STARTGREP
- K. OLJEAVTAPPNINGSPLOG
- L. OLJEFILTERLOCK/MJÖPÅ
- M. BRÄNSLETANKLOCK



ANVÄNDARGUIDE

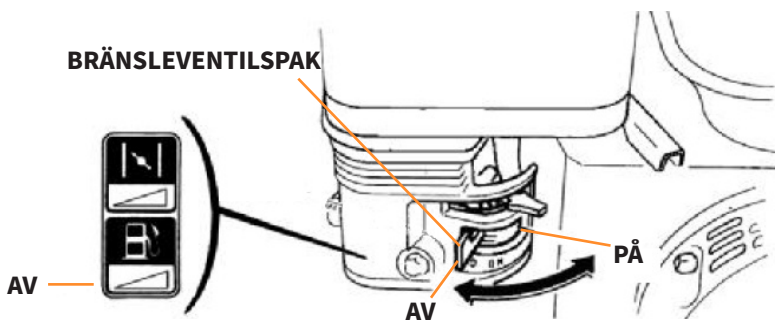
MOTORMANUAL

KONTROLLER

BRÄNSLEVENTIL

Bränsleventilen öppnar och stänger passagen mellan bränsletanken och förgasaren. Bränsleventilspaken måste vara i läge ON för att motorn ska gå.

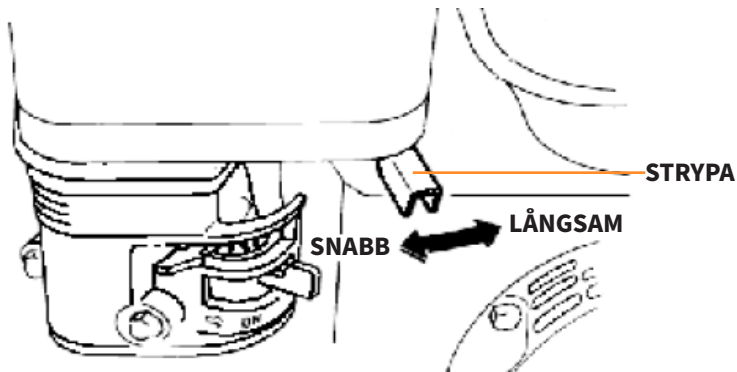
När motorn inte används, lämna bränsleventilspaken i OFF-läge för att förhindra att förgasaren svämmar över och för att minska risken för bränsleläckage.



GASREGLAGE

Gasspaken styr motorns GAS-hastighet.

Om du flyttar gasreglaget i de visade riktningarna går motorn snabbare eller långsammare.

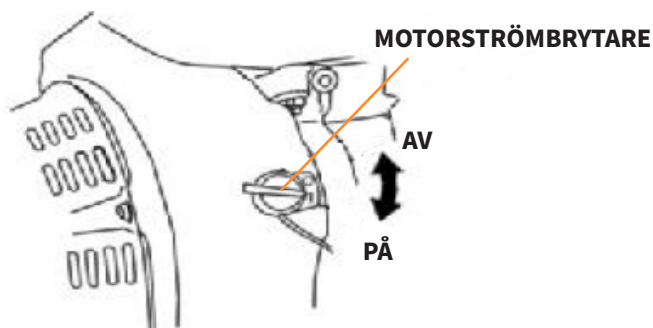


ANVÄNDARGUIDE

MOTORMANUAL

MOTORBRYTARE

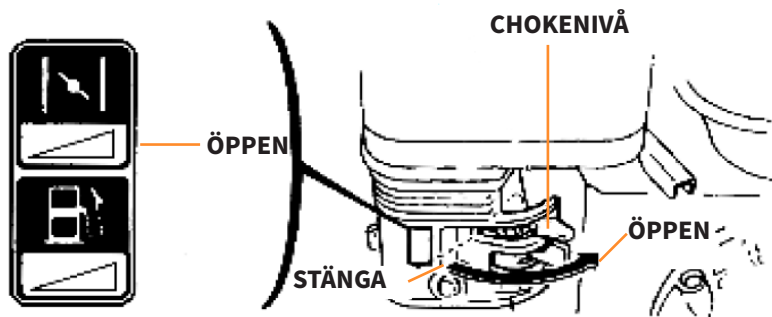
Motoromkopplaren aktiverar och avaktiverar tändningssystemet. Motoromkopplaren måste vara i läge ON för att motorn ska gå. Genom att vrida motoromkopplaren till OFF-läget stoppas motorn.



CHOKESPAK

Chokespaken öppnar och stänger chokeventilen i förgasaren. STÄNGD-läget berikar bränsleblandningen för start av en kall motor. ÖPPEN-läget ger rätt bränsleblandning för drift efter start och för omstart av en varm motor.

Vissa motortillämpningar använder en fjärrmonterad chokekontroll istället för den motormonterade choke-spaken som visas här.

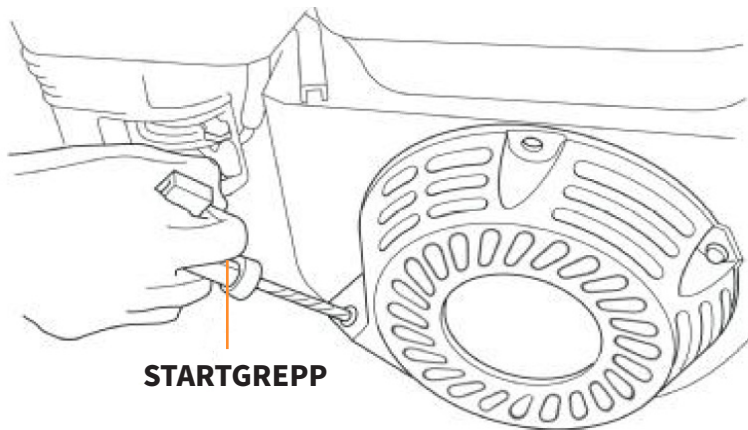


ANVÄNDARGUIDE

MOTORMANUAL

REKYL STARTGREPP

Genom att dra i starthandtaget aktiveras rekylstartaren för att dra igång motorn.



KONTROLLERA INNAN ANVÄNDNING

ÄR DIN MOTOR REDO ATT GÅ?

För din säkerhet och för att maximera livslängden på din utrustning är det mycket viktigt att du tar några ögonblick innan du använder motorn för att kontrollera dess skick. Se till att ta hand om alla problem du hittar eller låt din återförsäljare åtgärda det innan du använder motorn.



VARNING

Felaktigt underhåll av denna motor, eller att inte åtgärda ett problem före användning, kan orsaka ett fel som kan leda till allvarliga skador. Utför alltid en inspektion före drift före varje operation och åtgärda eventuella problem.

Avant de commencer vos vérifications pré opérationnelles, assurez-vous que le moteur est à l'horizontale et que l'interrupteur du moteur est sur la position OFF.

ANVÄNDARGUIDE

MOTORMANUAL

KONTROLLERA MOTORNS ALLMÄNNA SKICK

- Titta runt och under motorn efter tecken på olje- eller bensinläckor.
- Ta bort all överflödigt smuts eller skräp, särskilt runt avgas- och rekylistartaren.
- Leta efter tecken på skador.
- Kontrollera att alla sköldar och kåpor är på plats och att alla muttrar, bultar och skruvar är åtdragna.

KONTROLLERA MOTORN

- Kontrollera motoroljenivån. Att köra motorn med låg oljenivå kan orsaka motorskador.
- Oljevarningssystemet (tillämpliga motortyper) kommer automatiskt att stoppa motorn innan oljenivån faller under säkra gränser. För att undvika besväret med en oväntad avstängning, kontrollera alltid motoroljenivån före start.
- Kontrollera luftfiltret. Ett smutsigt luftfilter begränsar luftflödet till förgasaren, vilket minskar motorns prestanda.
- Kontrollera bränslenivån. Att börja med full tank hjälper till att eliminera eller minska driftsavbrott för tankning.

KONTROLLERA UTRUSTNINGEN SOM DRIVS AV DENNA MOTOR

- Läs instruktionerna som medföljer utrustningen som drivs av denna motor för eventuella försiktighetsåtgärder och procedurer som bör följas innan motorn startas.

ANVÄNDARGUIDE

MOTORMANUAL

FÖRSIKTIGHETSÅTGÄRDER FÖR SÄKER ANVÄNDNING

- Innan du använder motorn för första gången ska du läsa VIKTIG SÄKERHETSINFORMATION och kapitlet INNAN ANVÄNDNING.



VARNING

Kolmonoxidgas är giftig. Att andas in denna kan orsaka medvetslöshet och till och med död.

Undvik alla områden eller åtgärder som utsätter dig för kolmonoxid.

Läs instruktionerna som medföljer utrustningen som drivs av denna motor för eventuella säkerhetsåtgärder som bör följas i samband med start, avstängning eller drift av motorn.

STARTA MOTORN

- Flytta bränsleventils-paken till läget PÅ.
- För att starta en kall motor, flytta chokereglaget till läget STÄNG. För att starta om en varm motor, lämna chokereglaget i läget ÖPPET.
- Flytta gasreglaget bort från läget LÅNGSAMT, ungefär 1/3 av vägen mot FAST-läget.
- Vrid motoromkopplaren till läget ON.
- Dra lätt i starthandtaget tills du känner motstånd och dra sedan snabbt. Sätt tillbaka starthandtaget försiktigt.
- Om chokereglaget har flyttats till STÄNGT-läget för att starta motorn, flytta det gradvis till ÖPPET-läget när motorn värms upp.

ANVÄNDARGUIDE

MOTORMANUAL

STOPPA MOTORN

För att stoppa motorn i en nödsituation, vrid helt enkelt motoromkopplaren till OFF-läget. Under normala förhållanden, använd följande procedur.

- Flytta gasreglaget till läget LÅNGSAMT.
- Vrid motoromkopplaren till läget AV.
- Vrid bränsleventilspaken till läget AV.

STÄLLA IN MOTORHASTIGHET

- Ställ in gasreglaget för önskat motorvarvtal.
- Vissa motortillämpningar använder en fjärrmonterad gasreglage istället för den motormonterade gasreglaget som visas här.
- För rekommendationer om motorvarvtal, se instruktionerna som medföljer utrustningen som drivs av denna motor.

ANVÄNDARGUIDE

MOTORUNDERHÅLL

UNDERHÅLL

- Bra underhåll är avgörande för säker, ekonomisk och problemfri drift. Det kommer också att bidra till att minska luftföroreningarna.



VARNING!

Underlåtenhet att följa underhållsinstruktioner och försiktighetsåtgärder kan leda till att du skadas allvarligt eller avlider. Följ alltid procedurerna och försiktighetsåtgärderna i bruksanvisningen.

För att hjälpa dig att ta hand om din motor på rätt sätt innehåller följande sidor ett underhållsschema, rutininspektionsprocedurer och enkla underhållsprocedurer med grundläggande handverktyg.

Andra serviceuppgifter som är svårare, eller kräver specialverktyg, sköts bäst av proffs och utförs normalt av en tekniker eller annan kvalificerad mekaniker.

Underhållsschemat gäller för normala driftförhållanden. Om du använder din motor under ovanliga förhållanden, såsom ihållande hög belastning eller hög temperatur, eller använder den under ovanligt våta eller dammiga förhållanden, kontakta din återförsäljare för rekommendationer som gäller dina individuella behov och användning.

SÄKERHETSÅTGÄRDER

Se till att motorn är avstängd innan du påbörjar underhåll eller reparationer. Detta kommer att eliminera flera potentiella faror:

- Kolmonoxidförgiftning från motoravgaser. Se till att det finns tillräcklig ventilation när du använder motorn.
- Brännskador från varma delar. Låt motorn och avgassystemet svalna innan du vidrör dem.
- Skada från rörliga delar. KÖR INTE motorn om du inte uppmanas att göra det.

ANVÄNDARGUIDE

MOTORUNDERHÅLL

Läs instruktionerna innan du börjar och se till att du har de verktyg och färdigheter som krävs.

För att minska risken för brand eller explosion, var försiktig när du arbetar runt bensen. Använd endast ett icke brännbart lösningsmedel, inte bensen, för att rengöra delar. Håll cigaretter, gnistor och lågor borta från alla bränslerelaterade delar.

För att säkerställa bästa kvalitet och tillförlitlighet, använd endast nya, äkta delar eller motsvarande för reparation och utbyte.

UNDERHÅLLSSCHEMA

ANLIG SERVICETID Utförs månadsvis eller vid angivna öppettider, beroende på vad som inträffar först		Varje an- vändning	Första månaden eller 20 timmar	Var tredje månad eller 50 timmar	Var sjätte månad eller 100 timmar	Varje år eller 500 timmar
Motorolja	Kontrollera nivån	○				
	Förändra		○		○	
Luftrenare	Kolla upp	○				
	Rena			○(1)		
	Byta ut					○ ☆
Sedimentkopp	Rena				○	
Tändstift	Kontrollera och rengör				○	
	Byta ut					○
Tomgångshastighet	Kontrollera och justera					○(2)
Ventilrengöring	Kontrollera och justera					○(2)
Bränsletank och sil	Rena					○(2)
Förbränningskammare	Rena					
Bränsleledningen	Kolla upp					

☆ Byt endast ut papperselementtypen.

(1) Utför service oftare vid användning i dammiga områden.

(2) Dessa föremål bör servas av din återförsäljare om du inte har rätt verktyg och inte är mekaniskt skicklig. Se manualen för serviceprocedurer.

ANVÄNDARGUIDE

MOTORUNDERHÅLL

TANKNING

Bränsletankens kapacitet G270F: 3.8 liter

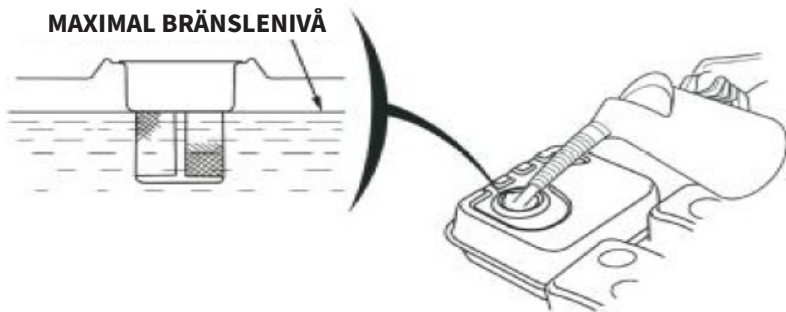
Med motorn avstängd, ta bort bränsletanklocket och kontrollera bränslenivån. Fyll på tanken om bränslenivån är låg.

VARNING!



Bensin är mycket brandfarligt och explosivt. Du kan brännas eller skadas allvarligt när du hanterar bränsle.

- Stanna motorn och håll värme, gnistor och lågor borta.
- Hantera endast bränsle utomhus.
- Torka upp spill omedelbart.



Tanka i ett välventilerat utrymme innan du startar motorn. Om motorn har varit igång, låt den svalna. Tanka försiktigt för att undvika spill av bränsle. Fyll inte ovanför bränslesilens ansats. Efter tankning, dra åt bränsletanklocket ordentligt.

Tanka ALDRIG motorn i en byggnad där bensinångor kan nå lågor eller gnistor. Håll bensin borta från apparatens pilotljus, grillar, elektriska apparater, elverktyg etc.

Utspillt bränsle är inte bara en brandrisk, det orsakar miljöskador. Torka upp spill omedelbart.

ANVÄNDARGUIDE

MOTORUNDERHÅLL

BRÄNSLEREKOMMENDATIONER

Använd blyfri bensin med pumpklass E10.

Dessa motorer är certifierade för att drivas på blyfri bensin. Blyfri bensin ger färre motor- och tändstiftsavlagringar och förlänger avgassystemets livslängd.

Använd ALDRIG gammal eller förorenad bensin eller en olja/bensinblandning. Undvik att få smuts eller vatten i bränsletanken.

Ibland kan du höra ett lätt "gnistknack" eller "pingande" (metalliskt rappande ljud) när du arbetar under tung belastning. Detta är ingen anledning till oro.

Byt bensinmärke om gnistan knacker eller plingar uppstår vid ett konstant motorvarvtal, under normal belastning. Kontakta en auktoriserad återförsäljare om gnistan eller pingandet kvarstår.

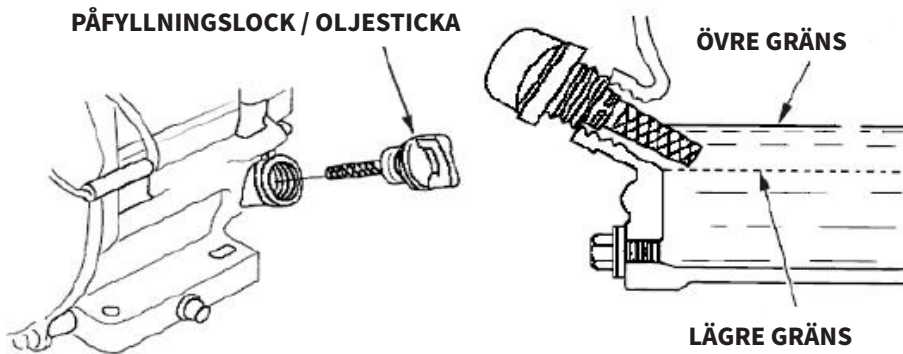
ANVÄNDARGUIDE

MOTORUNDERHÅLL

KONTROLL AV MOTOROLJENIVÅ

Kontrollera motoroljenivån med motorn avstängd och i plant läge.

- Ta bort påfyllningslocket/stickan och torka rent.



- Sätt i och ta bort oljestickan utan att skruva in den i påfyllningsröret. Kontrollera oljenivån som visas på oljestickan.
- Om oljenivån är låg, fyll på till kanten av oljepåfyllningshålet med den rekommenderade oljan.
- kruva fast påfyllningslocket/mätstickan ordentligt.

Att köra motorn med låg oljenivå kan orsaka motorskador.

ANVÄNDARGUIDE

MOTORUNDERHÅLL

BYTE AV MOTOROLJA

Tappa ur den använda oljan medan motorn är varm. Varm olja rinner ut snabbt och fullständigt.

- Placera en lämplig behållare under motorn för att fånga upp den använda oljan och ta sedan bort påfyllningslocket/mätstickan och avtappningspluggen.
- Låt den använda oljan rinna av helt och sätt sedan tillbaka avtappningspluggen och dra åt ordentligt.

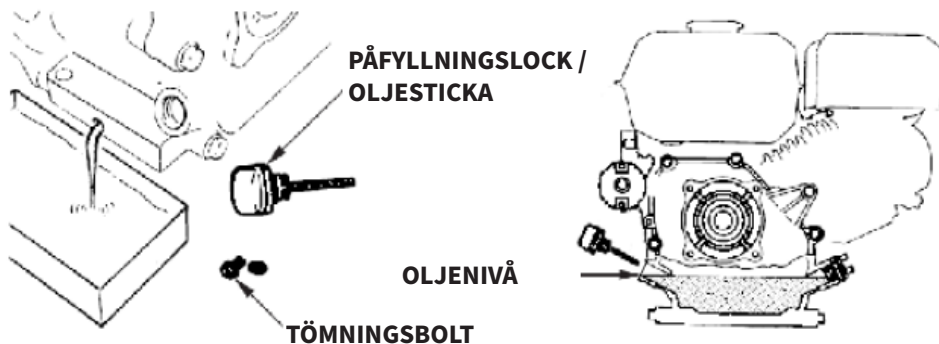
Vänligen kassera använd motorolja på ett sätt som är förenligt med miljön. Vi föreslår att du tar använd olja i en förseglad behållare till din lokala återvinningscentral. Släng den INTE i soptunnan, håll den på marken eller i ett avlopp.

- Med motorn i vågrätt läge, fyll på till ytterkanten av oljepåfyllningshålet med den rekommenderade oljan.
- Skruva fast påfyllningslocket/mätstickan ordentligt.

Att köra motorn med låg oljenivå kan orsaka motorskador.

Oljevarningssystemet (tillämpliga motortyper) kommer automatiskt att stoppa motorn innan oljenivån faller under säkerhetsgränsen.

Men för att undvika besväret med en oväntad avstängning, fyll till den övre gränsen och



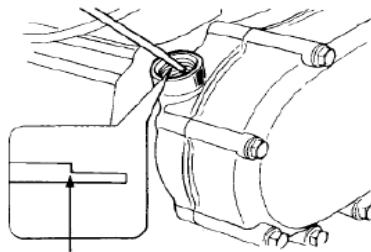
ANVÄNDARGUIDE

MOTORUNDERHÅLL

REDUKTIONSVERKSAMHETSOLJA

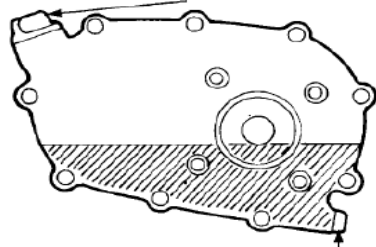
- Ta bort oljepåfyllningslocket och torka av oljestickan.
- Sätt i oljestickan i påfyllningsröret men skruva inte in den.
- Om nivån är låg, fyll till den övre nivåmarkeringen med samma olja som rekommenderas för motorn.

Oljekapacitet på G200 - B: 500 cc



ÖVRE GRÄNS

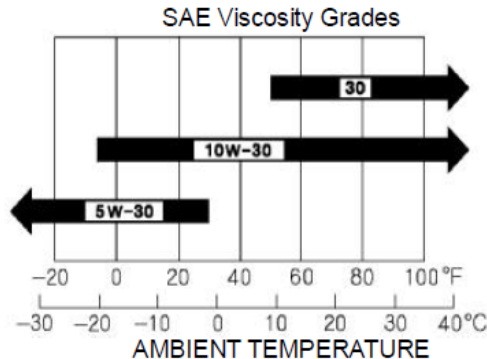
PÅFYLLNINGSLÖCK / OLJESTICKA



TÖMNINGSBOLT

MOTOROLJEREKOMMENDATIONER

Olja är en viktig faktor som påverkar prestanda och livslängd. Använd 4-takts rengöringsmedelolja för bilar. SAE 10W-30 rekommenderas för allmänt bruk. Andra viskositeter som visas i diagrammet kan användas när medeltemperaturen i ditt område ligger inom det rekommenderade intervallet.



ANVÄNDARGUIDE

MOTORUNDERHÅLL

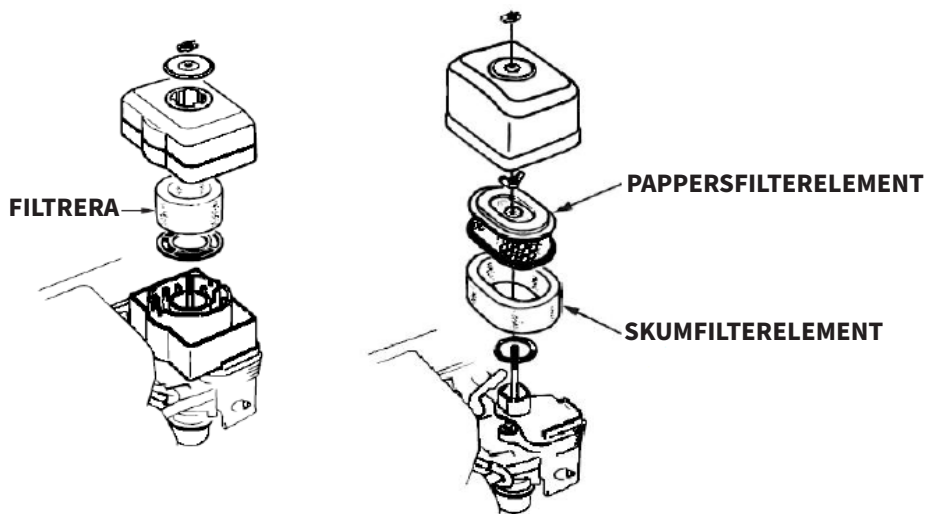
LUFTFILTERINSPEKTION

Ta bort luftrenarlocket och inspektera filtret.

Rengör eller byt ut smutsiga filterelement.

Byt alltid ut skadade filterelement.

Om den är utrustad med en oljebadsluftrenare, kontrollera även oljenivån.



LUFTFILTERINSPEKTION

Ett smutsigt luftfilter kommer att begränsa luftflödet till förgasaren, vilket minskar motorns prestanda och kan orsaka snabbt motorslitage och skador.

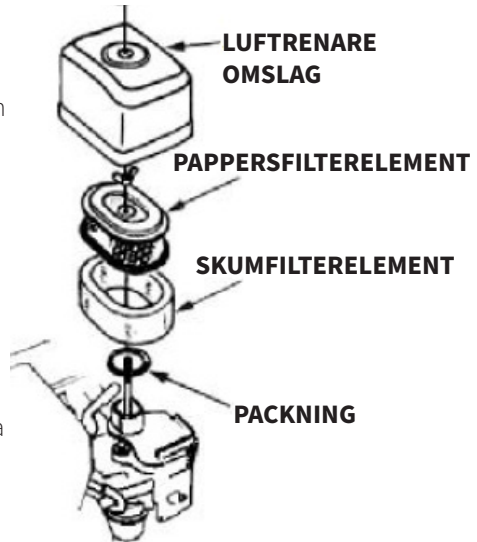
Om du kör motorn i mycket dammiga områden, rengör luftfiltret oftare än vad som anges i UNDERHÅLLSSCHEMA.

ANVÄNDARGUIDE

MOTORUNDERHÅLL

TYPER MED DUBBLA FILTERELEMENT

- Ta bort vingmuttern från luftrenarlocket och ta bort luftrenarlocket.
- Ta bort vingmuttern från luftfiltret och ta bort filtret.
- Ta bort skumfiltret från pappersfiltret.
- Inspektera båda luftfilterelementen och byt ut dem om de är skadade. Byt alltid ut pappersluftfilterelementet vid det schemalagda intervallet.
- Rengör luftfilterelementen om de ska återanvändas.



Pappersluftfilterelement: Knacka filterelementet flera gånger på en hård yta för att avlägsna smuts eller blås tryckluft [inte överstiger 30 psi (207 kPa)] genom filterelementet från insidan. Försök aldrig att borsta bort smuts; borstning kommer att tvinga in smuts i fibrerna.

Luftfilterelement med skum: Rengör i varmt tvålsvatten, skölj och låt torka ordentligt. Eller rengör i obrännbart lösningsmedel och låt torka. Doppa filterelementet i ren motorolja och krama sedan ut all överflödiga olja. Motorn kommer att ryka när den startas om för mycket olja finns kvar i skummet.

- Torka av smuts från insidan av luftrenarbasen och locket med en fuktig trasa. Var noga med att förhindra att smuts kommer in i luftkanalen som leder till förgasaren.

Placera skumluftfilterelementet över pappersselementet och sätt tillbaka det monterade luftfiltret. Se till att packningen är på plats under luftfiltret. Dra åt luftfiltrets vingmutter ordentligt.

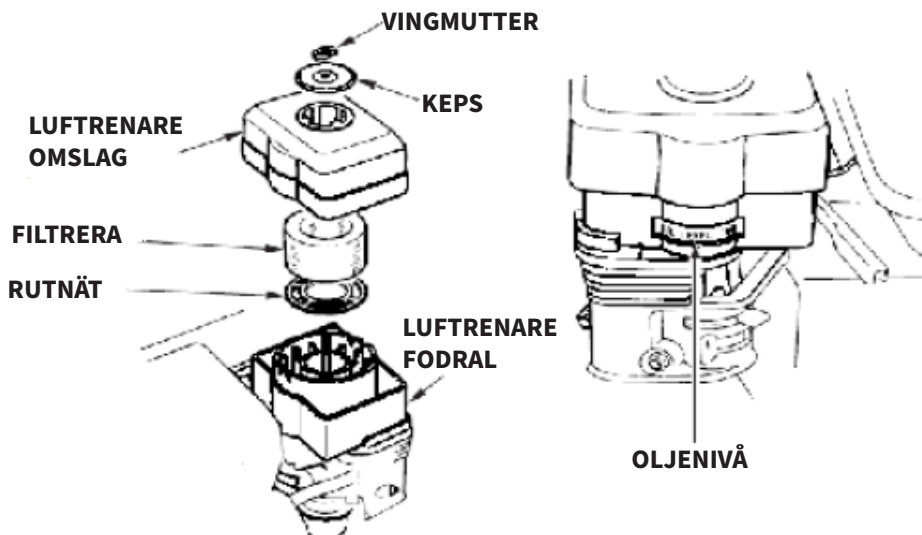
- Montera luftrenarlocket och dra åt lockets vingmutter ordentligt.

ANVÄNDARGUIDE

MOTORUNDERHÅLL

TYP AV OLJEBAD

- Ta bort vingmuttern och ta bort luftrenarlocket och locket.
- Ta bort luftfiltret från locket, Tvätta locket och filtret i varmt tvålatten, skölj och låt torka ordentligt. Eller rengör i obrännbart lösningsmedel och låt torka.
- Doppa filtret i ren motorolja och krama sedan ut all överskottsolja. Motorn kommer att ryka om för mycket olja finns kvar i skummet.
- Töm den använda oljan från luftrenarens hölje, skölj ur all ansamlad smuts med obrännbart lösningsmedel och torka höljet.
- Fyll luftrenarhuset till OIL LEVEL-märket med samma olja som rekommenderas för motorn. Oljekapacitet: 2,0 US oz (60 cm³)
- Sätt tillbaka luftrenaren och dra åt vingmuttern ordentligt.



ANVÄNDARGUIDE

MOTORUNDERHÅLL



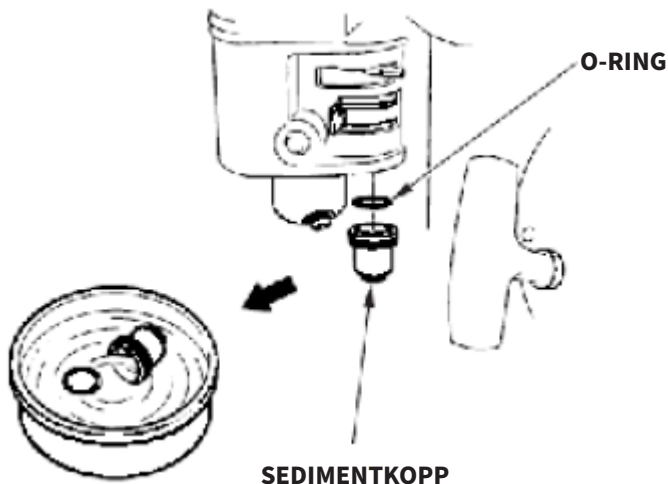
VARNING!

Bensin är mycket brandfarligt och explosivt. Du kan brännas eller skadas allvarligt när du hanterar bränsle.

- Stanna motorn och håll värme, gnistor och lågor borta.
- Hantera endast bränsle utomhus.
- Torka upp spill omedelbart.

RENGÖRING AV SEDIMENTKOPP

- Flytta bränsleventilen till OFF-läget och ta sedan bort bränslesedimentkoppen och O-ringen.
- Tvätta sedimentkoppen och O-ringen i obrännbart lösningsmedel och torka dem noggrant.
- Placera O-ringen i bränsleventilen och installera sedimentkoppen. Dra åt sedimentkoppen ordentligt.
- Flytta bränsleventilen till PÅ-läget och kontrollera efter läckor. Byt ut O-ringen om det finns något läckage.



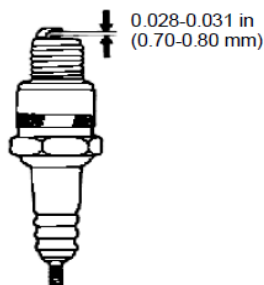
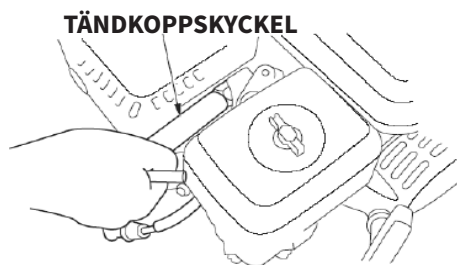
ANVÄNDARGUIDE

MOTORUNDERHÅLL

TÄNDNINGSTJÄNST

Rekommenderade tändstift: F7RTC eller andra likvärdiga. Ett felaktigt tändstift kan orsaka motorskador.

- Koppla bort tändstiftslocket och ta bort all smuts runt tändstiftsområdet.
- Ta bort tändstiftet med en tändstiftsnyckel.



- Mät tändstiftets elektrodavstånd med en lämplig mätare.
- Mellanrummet ska vara 0,028 tum -0,031 tum (0,70 mm - 0,80 mm). Korrigera gapet, om nödvändigt, genom att försiktigt böja sidoelektroden.
- Montera tändstiftet försiktigt för hand för att undvika korsgångning.
- Efter att tändstiftet sitter, dra åt med en tändstiftsnyckel för att komprimera vattnet.
- Om du sätter tillbaka det använda tändstiftet, dra åt 1/8 - 1/4 varv efter att tändstiftet sitter.
- Om du installerar ett nytt tändstift, dra åt 1/2 varv efter att tändstiftet sitter fast.
- Sätt på tändstiftslocket.



VARNING!

Ett löst tändstift kan överhettas och skada motorn.
Överdragning av tändstiftet kan skada gängorna i cylinderhuvudet.

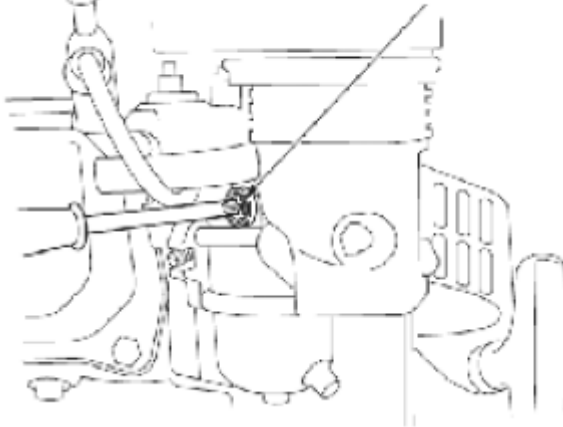
ANVÄNDARGUIDE

MOTORUNDERHÅLL

JUSTERING AV TOMGÅNGSHASTIGHET

- Starta motorn utomhus och låt den värmas upp till driftstemperatur.
- Flytta gasreglaget till dess långsammaste läge.
- Vrid gasreglets stoppskruv för att få standardtomgångsvarvtalet. Standard tomgångsvarvtal: $1\,400 \pm 150$ rpm

GASREGLAGETS STOPPSKRUV



ANVÄNDARGUIDE

LAGRING / TRANSPORT

FÖRVARA DIN MOTOR

FÖRVARING

Rätt förvaringsförberedelser är avgörande för att hålla din motor problemfri och se bra ut. Följande steg hjälper till att hålla rost och korrosion från att försämra din motors funktion och utseende och kommer att göra motorn lättare att starta efter förvaring.

RENGÖRING

Om motorn har varit igång, låt den svalna i minst en halvtimme innan rengöring. Rengör alla utvändiga ytor, reparera eventuell skadad färg och belägg andra områden som kan rosta med en lätt oljefilm.



VARNING!

Användning av en trädgårdsslang eller högtryckstvättutrustning kan tvinga in vatten i luftrenaren eller ljuddämparens öppning. Vatten i luftrenaren kommer att blötlägga luftfiltret, och vatten som passerar genom luftfiltret eller ljuddämparen kan komma in i cylindern och orsaka skada.



VARNING!

Vatten som kommer i kontakt med en het motor kan orsaka skada. Om motorn har varit igång, låt den svalna i minst en halvtimme innan du tvättar den.

BRÄNSLE

Bensin kommer att oxidera och försämrans under lagring. Gammal bensin orsakar hård start och den lämnar gummiavlagringar som täpper till bränslesystemet. Om bensinen i din motor försämrans under lagring kan du behöva få förgasaren och andra komponenter i bränslesystemet servade eller byta ut.

Hur länge bensinen kan vara kvar i din bränsletank och förgasare utan att orsaka funktionsproblem kommer att variera med faktorer som bensinblandning, dina lagringstemperaturer och om bränsletanken är helt eller delvis fylld. Luften i en delvis fylld bränsletank främjar bränsleförsämring. Mycket varm lagring/temperaturer påskyndar bränsleförsämringen. Bränsleförsämringsproblem kan uppstå inom några månader, eller ännu mindre om bensinen inte var färsk när du fyllde på bränsletanken.

ANVÄNDARGUIDE

LAGRING / TRANSPORT

BRÄNSLE forts.

Distributörens begränsade garanti täcker inte skador på bränslesystemet eller motorprestandaproblem till följd av försummad förvaringsförberedelse.

Du kan förlänga bränslelagringstiden genom att lägga till en bränslestabilisator som är framtagen för det ändamålet, eller så kan du undvika problem med bränsleförsämring genom att tömma bränsletanken och förgasaren.

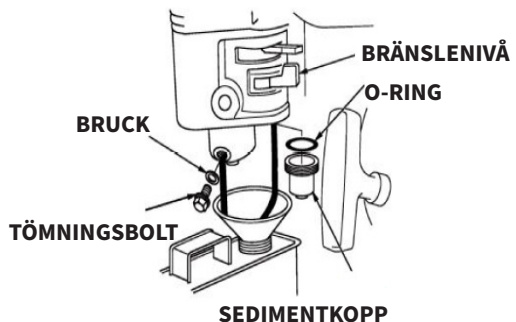
LÄGG TILL EN BRÄNSLESTABILISATOR FÖR ATT FÖRLÄNGA BRÄNSLELAGRINGSLIVET

När du lägger till en bränslestabilisator, fyll bränsletanken med ny bensin. Om den bara är delvis fylld kommer luften i tanken att främja bränsleförsämring under lagring. Om du förvarar en behållare med bensin för tankning, se till att den endast innehåller färsk bensin.

- Lägg till bränslestabilisator enligt tillverkarens instruktioner.
- Efter att ha tillsatt en bränslestabilisator, kör motorn utomhus i 10 minuter för att vara säker på att behandlad bensin har ersatt den obehandlade bensinen i förgasaren.
- Stanna motorn och flytta bränsleventilen till läget AV.

TÖMNING AV BRÄNSLETANK OCH FÖRGASARE

- Placera en godkänd bensinbehållare under förgasaren och använd en tratt för att undvika bränslespill.
- Ta bort förgasarens avtappningsbult och sedimentkoppen och flytta sedan bränsleventilspaken till PÅ-läget.
- När allt bränsle har runnit ut i behållaren, sätt tillbaka avtappningsbulten och sedimentkoppen. Dra åt dem



ANVÄNDARGUIDE

LAGRING / TRANSPORT

FÖRSIKTIGHETSÅTGÄRDER FÖR FÖRVARING

- Byt motorolja.
- Ta bort tändstiften.
- Häll en matsked (5-10 cc) ren motorolja i cylindern.
- Dra i startsnöret flera gånger för att fördela oljan i cylindern.
- Sätt tillbaka tändstiften.
- Dra långsamt i startlinan tills motstånd känns. Detta kommer att stänga ventilerna så att fukt inte kan komma in i motorcylindern. Sätt tillbaka startlinan försiktigt.

Om din motor ska förvaras med bensin i bränsletanken och förgasaren är det viktigt att minska risken för att bensinångan antänds. Välj ett välventilerat förvaringsutrymme borta från alla apparater som arbetar med låga, såsom en ugn, varmvattenberedare eller torktumlare. Undvik också alla områden med en gnistproducerande elmotor eller där elverktyg används.

Undvik om möjligt förvaringsutrymmen med hög luftfuktighet, eftersom det främjar rost och korrosion.

Om inte allt bränsle har tappats ut från bränsletanken, lämna bränsleventilspaken i OFF-läge för att minska risken för bränsleläckage.

Placera utrustningen så att motorn står i våg. Lutning kan orsaka bränsle- eller oljeläckage. Med motorn och avgassystemet svalt, täck över motorn för att hålla damm borta. En het motor och avgassystem kan antända eller smälta vissa material. Använd inte plastplåt som dammskydd. Ett icke-poröst lock kommer att fånga fukt runt motorn, vilket främjar rost och korrosion.

Om den är utrustad med ett batteri för en elektrisk startmotor, ladda batteriet en gång i månaden medan motorn är i förvaring. Detta kommer att bidra till att förlänga batteriets livslängd.

ANVÄNDARGUIDE

LAGRING / TRANSPORT

AVLÄGSNING FRÅN FÖRVARING

Kontrollera din motor enligt beskrivningen i kapitlet KONTROLLERA INNAN ANVÄNDNING.

Om bränslet tappades ut under förberedelserna för lagring, fyll tanken med ny bensin. Om du förvarar en behållare med bensin för tankning, se till att den endast innehåller färsk bensin.

Bensin oxiderar och försämras med tiden, vilket orsakar hård start.

Om cylindrarna var belagda med olja under förberedelserna för lagring, kan motorn ryka kort vid start. Detta är normalt.

TRANSPORTERING

Om motorn har varit igång, låt den svalna i minst 15 minuter innan du lastar den motordrivna utrustningen på transportfordonet. En varm motor och avgassystem kan bränna dig och kan antända vissa material.

Placera och bibehåll motorn plant vid transport för att minska risken för bränsleläckage. Flytta bränsleventilspaken till läget AV.

FELSÖKNING

LÖSNINGSGUIDE

VAD GÖR JAG OM DET SAKNAS DELAR FRÅN MIN BESTÄLLNING?

Om det verkar som om någon del saknas i din beställning, kontakta vårt vänliga och hjälpsamma kundsupportteam inom 7 dagar efter mottagandet.

MOTORN STARTAR INTE	MÖJLIG ORSAK	KORREKTION
Elstart: kontrollera batteriet	Batteri urladdat.	Ladda batteriet.
Kontrollera kontrollpositionerna	Bränsleventil AV	Flytta spaken till ON
	Choke ÖPPEN	Flytta spaken till STÄNG om inte motorn är varm
	Motorströmbrytare AV	Vrid motorströmbrytaren till ON
Kontrollera bränslet.	Slut på bränsle	Tanka
	Dåligt bränsle; motor lagrad utan att behandla eller tömma bensen, eller tankad med dålig bensen.	Töm bränsletanken och förgåsaren. Tanka med färsk bensen.
Ta bort och inspektera tändstiften	Tändstift defekta, smutsiga eller felaktigt öppna.	Öppna eller byt tändstift.
	Tändstift våta av bränsle (översvämmad motor).	Torka och sätt tillbaka tändstiften. Starta motorn med gasreglaget i FAST-läge.
Ta med motorn till en auktoriserad återförsäljare eller se manualen.	Bränslefilter igensatt, förgärsarfel, tändningsfel, ventil fast, etc.	Byt ut eller reparera felaktiga komponenter vid behov

FELSÖKNING

LÖSNINGSGUIDE

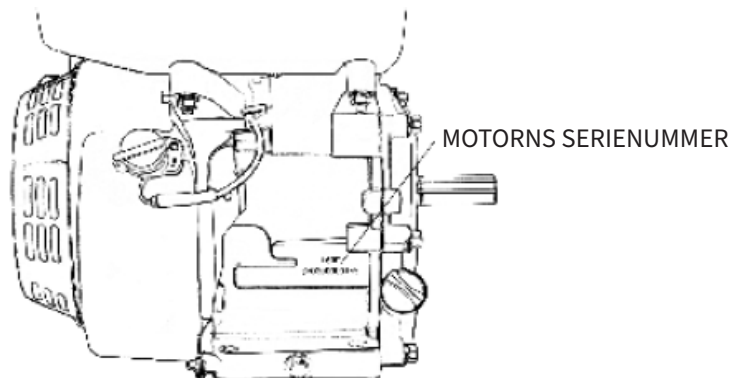
MOTORN SAKNAR KRAFT	MÖJLIG ORSAK	KORREKTION
Kontrollera luftfiltret	Filterelementen är blockerade.	Rengör eller byt ut filterelement.
Kontrollera bränslet.	Slut på bränsle.	Tanka
	Dåligt bränsle: motor lagrad utan att behandla eller tömma bensin, eller tankad med dålig bensin.	Töm bränsletanken och förgåsaren. Tanka med färsk bensin.
Ta med motorn till en auktoriserad återförsäljare eller se manualen.	Bränslefilter blockerat, förgåsarfel, tändningsfel, ventil fast, etc.	Byt ut eller reparera felaktiga komponenter vid behov.

FÖR ALLA ANDRA FRÅGOR, KONTAKTA VÅRT KUNDSUPPORT-TEAM.

FELSÖKNING

TEKNISK INFORMATION

SERIENUMMERPLATS



Anteckna motorns serienummer i utrymmet nedan. Du behöver detta serienummer när du beställer delar och när du gör tekniska frågor eller garantiförfrågningar.

Motorns serienummer: _____

BATTERIANSLUTNINGAR FÖR ELEKTRISK START

Använd ett 12-volts batteri med en ampere-timmarsklassning på minst 18 Ah.

Var försiktig så att du inte ansluter batteriet i omvänd polaritet, eftersom detta kommer att kortsluta batteriladdningssystemet. Anslut alltid den positiva (+) batterikabeln till batteripolen innan du ansluter den negativa (-) batterikabeln, så att dina verktyg inte kan orsaka kortslutning om de vidrör en jordad del medan du drar åt den positiva (+) batterikabelns ände.

EXTRA INFORMATION

TEKNISK INFORMATION



VARNING!

Ett batteri kan explodera om du inte följer rätt procedur och allvarligt skada någon i närheten.

Håll alla gnistor, öppen låga och rökmaterial borta från batteriet.

- Anslut batteriets pluskabel (+) till startmotorns magnetpol enligt bilden.
- Anslut batteriets minuskabel (-) till en motormonteringsbult, rambult eller annan bra motorjordanslutning.
- Anslut batteriets pluskabel (+) till batteriets pluspol (+) enligt bilden.
- Anslut batteriets minuskabel (-) till batteriets minuspol (-) enligt bilden.
- Smörj anslutningarna och kabeländarna med fett.

EXTRA INFORMATION

TEKNISK INFORMATION

FÖRGASARMODIFIKATION FÖR DRIFT I HÖG ALTITUD

På hög höjder kommer standardförgasarens luft-bränsleblandning att vara för rik. Prestanda kommer att minska och bränsleförbrukningen ökar. En mycket rik blandning kommer också att smutsa ner tändstiftet och orsaka hård start. Drift på en höjd som skiljer sig från den där denna motor var certifierad, under längre tidsperioder, kan öka utsläppen.

Prestanda på hög höjd kan förbättras genom specifika modifieringar av förgasaren. Om du alltid använder din motor på höjder över 5 000 fot (1 500 meter), låt din återförsäljare utföra denna förgasarmodifiering. Denna motor kommer, när den körs på hög höjd med förgasarmodifieringarna för användning på hög höjd, att uppfylla varje utsläppsstandard under hela dess livslängd.

Även med förgasarmodifiering kommer motorns hästkrafter att minska med cirka 3,5 % för varje höjökning på 300 meter. Effekten av höjd på hästkrafter blir större än så om ingen förgasarmodifiering görs.

VARNING!



När förgasaren har modifierats för drift på hög höjd kommer luft-bränsleblandningen att vara för mager för användning på låg höjd. Användning på höjder under 5 000 fot (1 500 meter) med en modifierad förgasare kan få motorn att överhettas och leda till allvarliga motorskador. För användning på låga höjder, låt din återförsäljare återställa förgasaren till de ursprungliga fabrikk-specifikationerna.

EXTRA INFORMATION

TEKNISK INFORMATION

SYRADE BRÄNSLEN

Vissa konventionella bensiner blandas med alkohol eller en eterförening. Dessa bensiner kallas gemensamt för syresatta bränslen.

För att uppfylla kraven för ren luft använder vissa områden syresatta bränslen för att minska utsläppen.

Om du använder ett syresatt bränsle, se till att det är blyfritt och uppfyller det lägsta oktantalet.

Innan du använder ett syresatt bränsle, försök att kontrollera bränslets innehåll. Vissa områden kräver att denna information anslås på pumpen.

Följande är EPA-godkända procentsatser av oxygenater:

ETANOL - (etyl- eller spannmålsalkohol) 10 volymprocent

Du får använda bensin som innehåller upp till 10 volymprocent etanol. Bensin som innehåller etanol får marknadsföras under namnet "E10 Bensin".

Om du märker några oönskade driftsymptom, prova en annan bensinstation eller byt till ett annat märke av bensin.

Skador på bränslesystemet eller prestandaproblem som beror på användningen av ett syresatt bränsle som innehåller mer än de procentsatser syresatta som nämns ovan täcks inte av garantin.

EXTRA INFORMATION

INFORMATION OM UTSLÄPPSKONTROLLSYSTEM

KÄLLA TILL UTSLÄPP

Förbränningsprocessen producerar kolmonoxid, kväveoxider och kolväten. Kontroll av kolväten och kväveoxider är mycket viktig eftersom de under vissa förhållanden reagerar för att bilda fotokemisk smog när de utsätts för solljus. Kolmonoxid reagerar inte på samma sätt, men det är giftigt.

Detta använder magra förgasarinställningar och andra system för att minska utsläppen av kolmonoxid, kväveoxider och kolväten.

MODIFIERING OCH FÖRÄNDRING

Att manipulera eller ändra avgaskkontrollsystemet kan öka utsläppen utöver den lagliga gränsen. Bland de handlingar som utgör manipulering är:

- Borttagning eller ändring av någon del av insugnings-, bränsle- eller avgassystem.
- Ändra eller ominställa regulatorlänken eller hastighetsjusteringsmekanismen för att få motorn att fungera utanför dess designparametrar.

PROBLEM SOM KAN PÅVERKA UTSLÄPPEN

Om du känner till något av följande symtom, låt din återförsäljare inspektera och reparera din motor.

- Hård start eller avstängning efter start.
- Grov tomgång.
- Feltändning eller baktändning under belastning.
- Efterbränning (baktändning).
- Svart avgasrök eller hög bränsleförbrukning.

EXTRA INFORMATION

INFORMATION OM UTSLÄPPSKONTROLLSYSTEM

RESERVDELAR

Vi rekommenderar att du använder originaldelar när du har utfört underhåll. Dessa originaldesignade reservdelar är tillverkade enligt samma standarder som originaldelarna, så att du kan vara säker på deras prestanda. Användning av reservdelar som inte är av originaldesign och kvalitet kan försämra effektiviteten hos ditt avgaskontrollsystem.

En tillverkare av en eftermarknadsdel tar på sig ansvaret för att delen inte kommer att negativt påverka utsläppsprestanda. Tillverkaren eller ombyggaren av delen måste intyga att användningen av delen inte kommer att resultera i att motorn inte uppfyller emissionsbestämmelserna.

UNDERHÅLL

Följ underhållsschemat. Kom ihåg att detta schema förutsätter att din maskin kommer att användas för dess avsedda syfte. Ihållande drift med hög belastning eller hög temperatur, eller användning i ovanligt våta eller dammiga förhållanden, kräver oftare service.

FINJUSTERING AV MOTOR

ARTIKEL	SPECIFIKATION
Tändstiftsglipa	0,028-0,031 tum (0.70 mm -0.80 mm)
Ventilspel	0.15 mm±0.02 mm (cold) EX: 0.20 mm±0.02 mm (cold)
Övriga specifikationer	Inga andra justeringar behövs

EXTRA INFORMATION

KONSUMENTINFORMATION

PUBLIKATIONER

Dessa publikationer ger dig ytterligare information för underhåll och reparation av din motor. Du kan beställa dem från din motorhandlare.

KATALOG ÖVER DELAR

Denna handbok tillhandahåller kompletta, illustrerade reservdelslistor.

SNABBREFERENSINFORMATION

Motorolja	Typ	SAE 10W-30, API SE eller SF, för allmänt bruk
	Kapacitet	G200F: 0.6 L
Tändstift	Typ	F7RTC eller andra motsvarigheter.
	Glipa	0,028–0,031 tum (0,70 mm–0,80 mm)
Förgasare	Tomgångshastighet	1400 rpm±150 rpm
Underhåll	Varje användning	Kontrollera motoroljan. Kontrollera luftfiltret.
	Första 20 timmarna	Byt motorolja.
	Senare	Se underhåll

EXTRA INFORMATION

SPECIFIKATIONER

Typ	Encylindrig, 4-takts, forcerad luftkylning, OHV
Märkeffekt (kW/3600 rpm)	3.8
Max. vridmoment (N·m/rpm)	13/3000
Bränsleförbrukning (g/kW·h)	≤395
Tomgångshastighet	1400±150
Fluktuerande hastighet	≤10%
Överföringsläge	-
Reduktionsförhållande	-
Brus (≤)	70db(A)
Hålslag (mm)	68×54
Förskjutning (cc)	196
Kompressionsförhållande	8.5:1
Smörjläge	Stänk
Startläge	Rekylstart (Rekylstart / Elstart)
Rotation	Moturs (från P.T.O.-sidan)
Ventilspel	ingångsventil - 0,10 - 0,15 mm, utgående ventil - 0,15 - 0,20 mm
Tändstiftsavstånd	0,7 - 0,8 mm
Tändningsläge	Transistoriserad magnettdning
Luftrenare	Halvtorr, Oljebad, Skumfilter
Dimension (längd)	312mm
Dimension (bredd)	376mm
Dimension (hög)	335mm
Nettovikt (kg)	16(19)

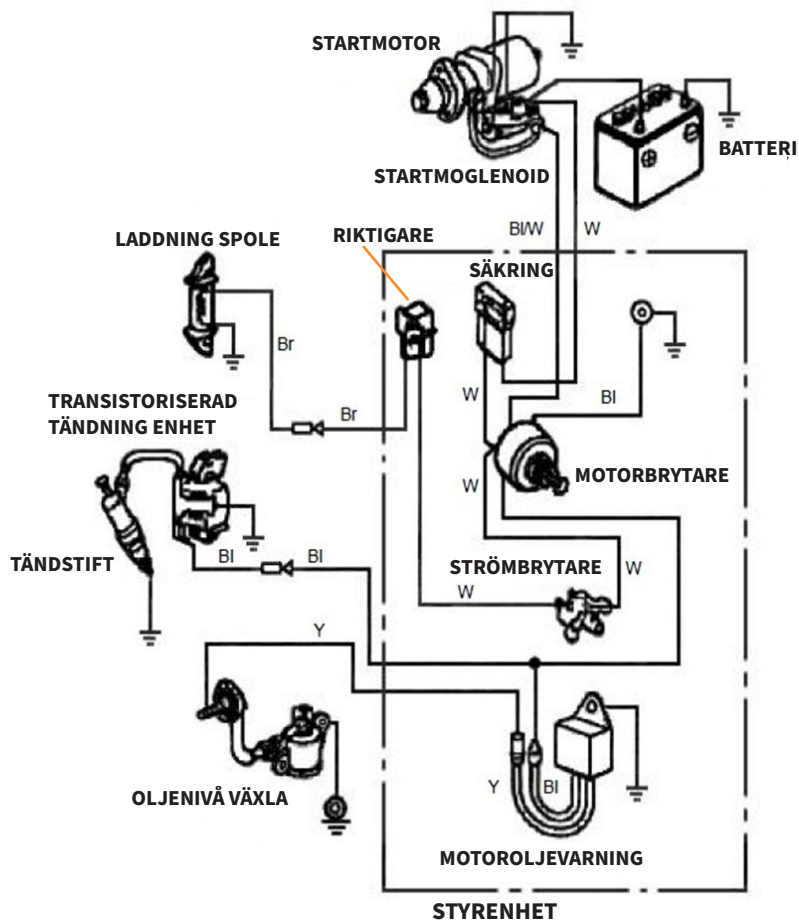
EXTRA INFORMATION

KOPPLINGSSCHEMAN

MOTORBRYTARE

	IG	E	ST	BAT
AV	O	O		
PÅ				
START			O	O

BI	SVART	BR	BRUN
Y	GUL	R	RÖD
W	GUL	G	GRÖN

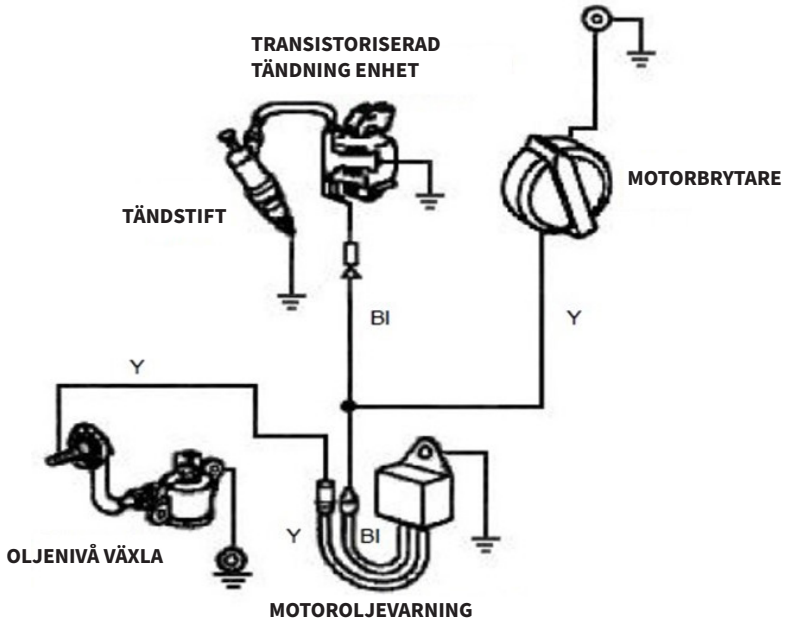


EXTRA INFORMATION

KOPPLINGSSCHEMAN

MOTORTYP MED OLJEVARNING OCH UTAN ELSTART

BI	SVART
Y	GUL
G	GRÖN



EXTRA INFORMATION

TILLVALSDELAR

BATTERI

BATTERI - TILLVALSDELAR

Använd ett batteri som är klassat för 12V, 18Ah eller mer.



VARNING!

Vänd inte om polariteten. Allvarliga skador på motorn och/eller batteriet kan uppstå.



VARNING!

Ett batteri kan explodera om du inte följer rätt procedur och allvarligt skada någon i närheten.
Håll alla gnistor, öppen låga och rökmaterial borta från batteriet.

Kontrollera elektrolytnivån för att vara säker på att den är mellan märkena på höljet. Om nivån är under den nedre markeringen, ta bort locken och tillsätt destillerat vatten för att få upp elektrolytnivån till den övre markeringen. Cellerna ska vara lika fulla.

Monster Group (UK) is one of the UK's fastest growing online retailers. We supply a diverse range of products which offer exceptional value for money. We strive to provide the best possible customer experience with free UK delivery across all our products and a Monster Guarantee for 100% satisfaction.

For information regarding this device or other products from our Monster divisions please contact Sales.

TEL: 01347 878 888

Pour plus d'informations concernant cet appareil ou d'autres produits de nos divisions de Monster veuillez utiliser les détails suivants ci-dessous.

TEL: 01347 878 888

For queries about this device, warranty, returns or reporting faults please contact Support.

TEL: 01347 878 887

Pour les interrogations concernant cet appareil, la garantie, les retours ou les défauts de déclaration veuillez utiliser les détails suivants ci-dessous.

TEL: 01347 878 887

Para información sobre este dispositivo u otros productos de nuestras divisiones de Monster por favor use los

TEL: 01347 878 888

Für Informationen bezüglich dieses Geräts oder anderer produkte aus unserer Monster-Abteilung, benutzen sie die folgenden unten aufgeführten

TEL: 01347 878 888

Per informazioni riguardanti questo dispositivo o altri prodotti dalle categorie Monster utilizzare i dettagli

TEL: 01347 878 888

Para consultas sobre este dispositivo, la garantía, devoluciones o denuncias de fallos por favor use los siguientes

TEL: 01347 878 887

Für fragen über dieses gerät, die garantie, rückgaben oder bei störungen, benutzen sie die folgenden

TEL: 01347 878 887

Per domande riguardo dispositivo, garanzia, reso o per riferire di guasti,

TEL: 01347 878 887

Monster House, Alan Farnaby Way,
Sheriff Hutton Industrial Estate,

