



# Catering Sink

210933 / 210936

INSTRUCTION MANUAL

[www.monstershop.co.uk](http://www.monstershop.co.uk)



# SPECIFICATION

## PRODUCT DESCRIPTION

The KuKoo Catering Sink is ideally suited towards any commercial kitchen setting for example, restaurants, hotels and cafes.

Made from stainless steel, the bench is the perfect material as it has excellent corrosion resistance, including high protection against acidic foods. The steel can endure high temperatures and combat oxidation. Spot on for your kitchen!

Featuring a 100mm splash back, it will help protect the wall from a splatter. With the option of a left or right hand side sink, you can work the sinks around your kitchen!

## PRODUCT SPECIFICS

<b>Dimensions</b>	H 900mm x W1200 x D 600mm
<b>Bowl Dimensions</b>	447mm square x 282mm deep
<b>Tap Hole Dimenions</b>	35mm
<b>Weight Capacity</b>	250kg
<b>Material</b>	201 Stainless Steel

# SAFETY ADVICE

## SAFE WORKING PRACTICE

Please read through the safe working practice to ensure prevention of injury or damage to the device.

- Do not over load the sink.
- Position the sink on flat and solid ground.
- Ensure all parts are properly attached before use.
- Keep the KuKoo Catering Sink clean to prolong working life.
- Do not sit and/or stand on the sink.

# SPECIFICATION

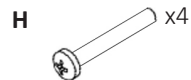
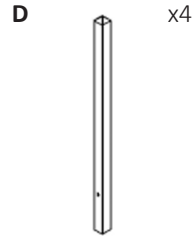
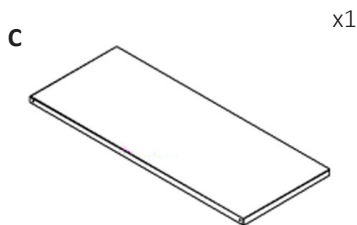
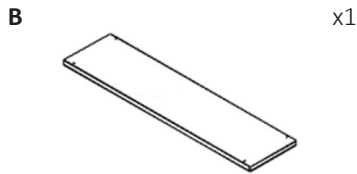
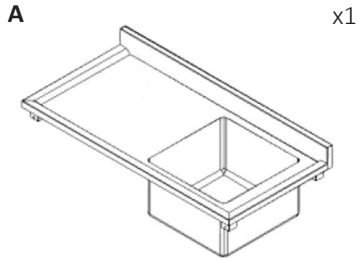
## PRODUCT FEATURES

- A. Splash Back
- B. Bench Top
- C. Front
- D. Legs
- E. Sink
- F. Shelf
- G. Feet



# SPECIFICATION

## ITEM CONTENTS

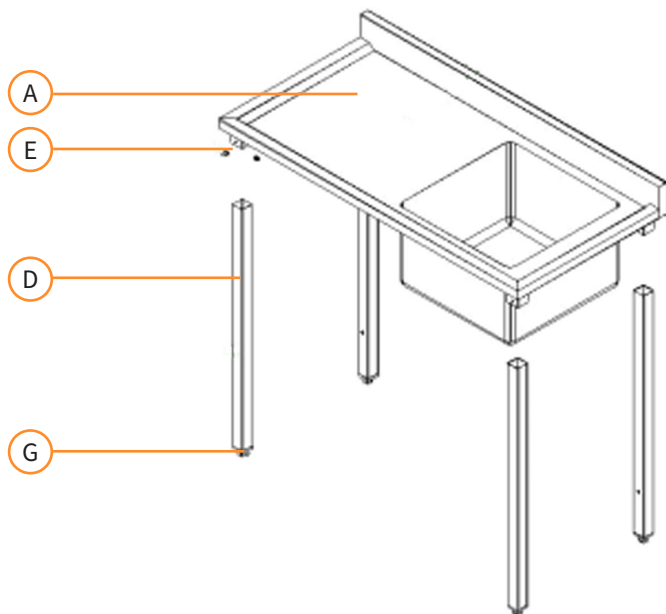


Monster Group UK Limited's liability will be limited to the commercial value of the product only.

# USER GUIDE

## ASSEMBLY INSTRUCTIONS

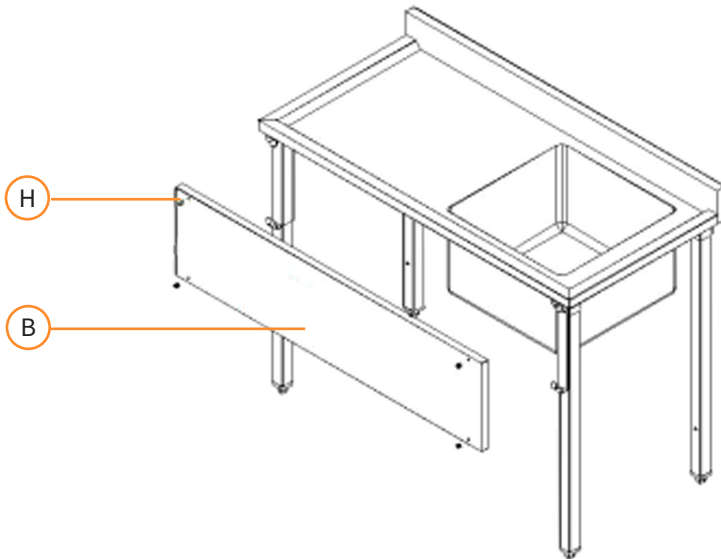
- Before you start, we recommend you assemble the catering bench on a soft surface. It may be easier if 2 people build the bench together.
- Add the feet (G) to the legs (D). Attach the legs to the sink (A) using E. Each leg will require E x 1



# USER GUIDE

## ASSEMBLY INSTRUCTIONS

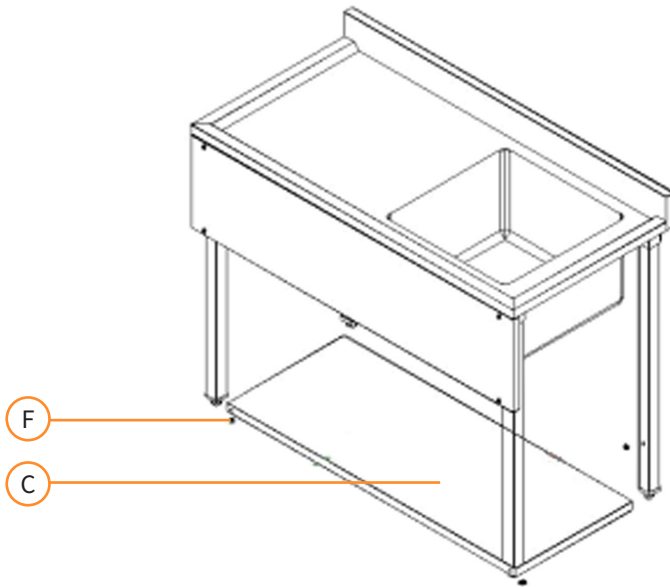
- Secure the front (B) with the long screws (H).



# USER GUIDE

## ASSEMBLY INSTRUCTIONS

- Secure the lower shelf (C) with the short screws (F). Your catering sink is now complete - make sure you fit taps with correct plumbing.





# TROUBLESHOOTING

## RESOLUTION GUIDE

### WHAT DO I DO IF THERE ARE MISSING PARTS FROM MY ORDER?

If there appears to be any part missing from your order, contact our friendly and helpful Customer Support Team within 7 days of receipt.

### WHY IS MY CATERING SINK UNSTEADY OR WOBBLING?

If there appears to be any part missing from your order, contact our friendly and helpful Customer Support Team within 7 days of receipt.

**FOR ALL OTHER ISSUES, PLEASE CONTACT OUR  
CUSTOMER SUPPORT TEAM.**



# SPÉCIFICATIONS

DESCRIPTION DU PRODUIT

DÉTAILS DU PRODUIT

LISTE DES PIÈCES

# SPÉCIFICATIONS

## CARACTÉRISTIQUES DU PRODUIT

La responsabilité de Monster Group UK Limited sera limitée à la valeur commerciale du produit.

# CONSEILS DE SÉCURITÉ

 PRATIQUE DE TRAVAIL SÉCURITAIRE

# MODE D'EMPLOI

## INSTRUCTIONS DE MONTAGE

# MODE D'EMPLOI

## ENTRETIEN

# DÉPANNAGE

## GUIDE DE RÉOLUTION

### QUE FAIRE S'IL MANQUE DES PIÈCES À MA COMMANDE?

S'il semble manquer des pièces à votre commande, contactez notre équipe du service client dans les 7 jours suivant la réception.

**POUR TOUT AUTRE PROBLÈME, VEUILLEZ  
CONTACTER NOTRE ÉQUIPE DU SERVICE CLIENT.**



# SPEZIFIKATIONEN

PRODUKTBESCHREIBUNG

PRODUKTSPEZIFIKA

TEILELISTE



# SPEZIFIKATION

## PRODUKTMERKMALE

Die Haftung von Monster Group UK Limited ist auf den Handelswert des Produkts beschränkt.

# SICHERHEITSHINWEIS

 SICHERES ARBEITEN

# BENUTZERLEITFADEN

## MONTAGEANLEITUNGEN

# BENUTZERLEITFADEN

## WARTUNG

# FEHLERBEHEBUNG

## LÖSUNGSGUIDE

### WAS MACHE ICH, WENN BEI MEINER BESTELLUNG TEILE FEHLEN?

Falls bei Ihrer Bestellung ein Teil zu fehlen scheint, wenden Sie sich bitte innerhalb von 7 Tagen nach Erhalt der Ware an unser freundliches und hilfsbereites Kundenservice-Team.

**FÜR ALLE ANDEREN FRAGEN WENDEN SIE SICH BITTE AN  
UNSER KUNDENSERVICE-TEAM.**



# ESPECIFICACIONES

DESCRIPCIÓN DEL PRODUCTO

ESPECIFICACIONES DEL PRODUCTO

LISTA DE PIEZAS

# ESPECIFICACIONES

## CARACTERÍSTICAS DEL PRODUCTO

La responsabilidad de Monster Group UK Limited estará limitada únicamente al valor comercial del producto.

# CONSEJOS DE SEGURIDAD

## PRÁCTICAS DE TRABAJO SEGURAS



# GUÍA DEL USUARIO

## INSTRUCCIONES DE ENSAMBLAJE

# GUÍA DEL USUARIO

## MANTENIMIENTO

# SOLUCIÓN DE PROBLEMAS

## GUÍA DE RESOLUCIÓN

### ¿QUÉ PUEDO HACER SI LE FALTAN PIEZAS A MI PEDIDO?

Si parece faltar alguna pieza en su pedido, por favor, comuníquese con nuestro amable y servicial Equipo de Atención al Cliente en los 7 días posteriores a la recepción de su pedido.

**PARA CUALQUIER OTRO PROBLEMA, POR FAVOR CONTACTE  
CON NUESTRO EQUIPO DE ATENCIÓN AL CLIENTE**



# SPECIFICHE

DESCRIZIONE DEL PRODOTTO

SPECIFICHE DEL PRODOTTO

LISTA COMPONENTI

# SPECIFICHE

## CARATTERISTICHE DEL PRODOTTO

La responsabilità di Monster Group UK Limited sarà limitata al solo valore commerciale del prodotto.

# CONSIGLI PER LA SICUREZZA

 PRATICHE DI LAVORO SICURO

# GUIDA UTENTE

## ISTRUZIONI PER IL MONTAGGIO

# GUÍA DEL USUARIO

## MANTENIMIENTO



# RISOLUZIONE DEI PROBLEMI

## GUIDA ALLA RISOLUZIONE DEI PROBLEMI

### COSA DEVO FARE SE NEL MIO ORDINE CI SONO DELLE PARTI MANCANTI?

Se sembra che all'interno del tuo ordine manchino delle parti, contatta il nostro gentile e disponibile team di assistenza clienti entro 7 giorni dalla ricezione del tuo ordine.

**PER QUALUNQUE ALTRO PROBLEMA, CONTATTA IL NOSTRO  
TEAM DI ASSISTENZA CLIENTI.**



# OMSCHRIJVING

PRODUCT OMSCHRIJVING

PRODUCTSPECIFICATIES

ONDERDELENLIJST

# SPECIFICATIE

## PRODUCT SPECIFICATIE

De aansprakelijkheid van Monster Group UK Limited is beperkt tot de commerciële waarde van het product.

# VEILIGHEIDSADVIIES

 VEILIG GEBRUIK

# HANDLEIDING

## MONTAGE-INSTRUCTIES

# HANDLEIDING

## ONDERHOUD

# PROBLEEM OPLOSSEN

## OPLOSSINGEN

### WAT MOET IK DOEN ALS ER ONDERDELEN VAN MIJN BESTELLING ONTBREKEN?

Neem wanneer een onderdeel van je bestelling ontbreekt binnen 7 dagen na ontvangst contact op met onze vriendelijke en behulpzame klantenservice.

**NEEM VOOR ALLE ANDERE KWESTIES CONTACT  
MET ONZE KLANTENSERVICE OP.**



# SPECIFIKATION

## PRODUKTBESKRIVNING

## PRODUKTSPECIFIKATIONER

## MEDFÖLJANDE DELAR



# SPECIFIKATION

## PRODUKTFUNKTIONER

# SÄKERHETSÅD

 SÄKER ARBETSÖVNING

# ANVÄNDARGUIDE

## MONTERINGS INSTRUKTIONER

# BRUKSANVISNING

## SKÖTSEL

# FELSÖKNING

## LÖSNINGSGUIDE

### VAD GÖR JAG OM DET SAKNAS DELAR FRÅN MIN BESTÄLLNING?

Om det verkar som om någon del saknas i din beställning, kontakta vårt vänliga och hjälpsamma kundsupportteam inom 7 dagar efter mottagandet.

**FÖR ALLA ANDRA FRÅGOR, VÄNLIGEN KONTAKTA VÅRT  
KUNDSUPPORTTEAM.**

Monster Group (UK) is one of the UK's fastest growing online retailers. We supply a diverse range of products which offer exceptional value for money. We strive to provide the best possible customer experience with free UK delivery across all our products and a Monster Guarantee for 100% satisfaction.

For information regarding this device or other products from our Monster divisions please contact Sales.

#### SALES

TEL: 01347 878 888

EMAIL: hello@monstershop.co.uk

For queries about this device, warranty, returns or reporting faults please contact Support.

#### SUPPORT

TEL: 01347 878 887

EMAIL: help@monstershop.co.uk

Pour plus d'informations concernant cet appareil ou d'autres produits de nos divisions de Monster veuillez utiliser les détails suivants ci-dessous.

#### DÉPARTEMENT COMMERCIAL

TEL: 01347 878 888

EMAIL: bonjour@monstershop.eu

Pour les interrogations concernant cet appareil, la garantie, les retours ou les défauts de déclaration veuillez utiliser les détails suivants ci-dessous.

#### DÉPARTEMENT DE SOUTIEN

TEL: 01347 878 887

EMAIL: help@monstershop.co.uk

Para información sobre este dispositivo u otros productos de nuestras divisiones de Monster por favor use los siguientes detalles.

#### DEPARTAMENTO DE VENTAS

TEL: 01347 878 888

EMAIL: hola@monstershop.eu

Para consultas sobre este dispositivo, la garantía, devoluciones o denuncias de fallos por favor use los siguientes detalles.

#### DEPARTAMENTO DE SOPORTE

TEL: 01347 878 887

EMAIL: help@monstershop.co.uk

Für Informationen bezüglich dieses Geräts oder anderer Produkte aus unserer Monster-Abteilung, benutzen sie die folgenden unten aufgeführten Angaben.

#### VERKAUFABTEILUNG

TEL: 01347 878 888

EMAIL: hallo@monstershop.eu

Für Fragen über dieses Gerät, die Garantie, Rückgaben oder bei Störungen, benutzen sie die folgenden unten aufgeführten Angaben.

#### SUPPORT-ABTEILUNG

TEL: 01347 878 887

EMAIL: help@monstershop.co.uk

Per informazioni riguardanti questo dispositivo o altri prodotti dalle categorie Monster utilizzare i dettagli sotto riportati.

#### DIPARTIMENTO VENDITE

TEL: 01347 878 888

EMAIL: ciao@monstershop.eu

Per domande riguardo dispositivo, garanzia, reso o per riferire di guasti, utilizzare i dettagli sotto riportati.

#### DIPARTIMENTO SUPPORTO

TEL: 01347 878 887

EMAIL: help@monstershop.co.uk

Monster House, Alan Farnaby Way,  
Sheriff Hutton Industrial Estate,  
Sheriff Hutton, York, YO60 6PG  
[www.monstershop.co.uk](http://www.monstershop.co.uk)



 Try **Monster**. Buy **Monster**. Be **Monster**. 