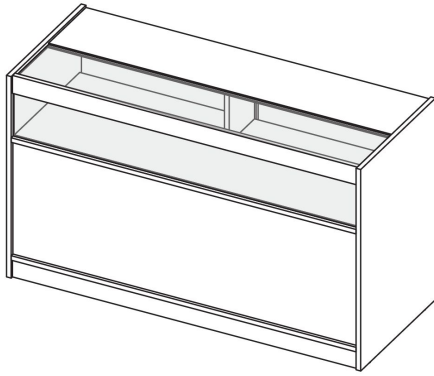


A StepAlong by Monstershop



B1500 LED Shop Counter

214651/214652/214653

Unit Overview

The B retail counter is a sleek and functional unit, ideal for showcasing products while also offering secure storage. The top section features a glass front with a single shelf, illuminated by LED lighting to highlight your display items beautifully. Beneath the display area, hidden storage provides space for stock or supplies, safely secured with lockable doors. The durable laminate finish ensures long-lasting use and easy maintenance. Available in black, white, and maple, this counter is designed to enhance any retail environment by combining display and storage with added security and style.

Safety Advice



- Please read through the Safe Working Practice to ensure prevention of injury or damage to the device.
- Make sure the unit is positioned on a flat, stable surface to prevent wobbling or tipping.
- If placing the unit on uneven flooring, use appropriate levelling methods to secure the unit.



- Do not exceed the specified weight limits for the shelves and surfaces to avoid damage to the unit or risk of injury.
- Ensure products are evenly distributed across shelves to prevent tipping or overloading.
- Ensure that children do not climb or play on the unit to prevent accidents or injury.
- Regularly inspect for any wear, such as loose screws or weak joints, and tighten or repair as necessary.
- There may be debris and/or sawdust in the pre-drilled holes. Remove this before commencing with assembly. Use gloves to remove it.
- Be cautious when handling items on glass shelves. Do not overload the shelves beyond their stated capacity, as this could lead to cracking or shattering.
- Always ensure the unit is properly plugged into a suitable power outlet with the correct voltage as indicated in the specifications.
- Do not allow the LED light strip to come into contact with water or moisture to avoid electrical hazards.
- Regularly inspect the LED strip and power cables for wear or damage. If any damage is noticed, immediately disconnect the power supply and seek professional assistance for repairs.
- Never attempt to modify or alter the electrical components or wiring of the LED light system.



- Ensure the power supply is switched off before performing any maintenance, cleaning, or adjusting of the LED lights.
- We recommend turning off the LED lights at the close of each business day to ensure energy efficiency and prolong the lifespan of the lights.
- Ensure proper ventilation around the LED lights to avoid overheating, especially if the unit is in constant use.
- Avoid covering or obstructing the LED lights to prevent overheating, which could shorten their lifespan or cause damage.
- Do not install the unit near any heat sources, such as radiators, as excessive heat can affect the longevity of the LED strip.
- Keep power cables and exposed lighting out of reach of children and animals to avoid accidental damage or injury.

Parts

1 - Front Panel

1 Piece(s)



2 - Upper Shelf

1 Piece(s)



3 - Center Shelf

1 Piece(s)



4 - Shelf Support Panel

3 Piece(s)



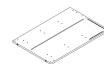
5 - Lower Shelf

1 Piece(s)



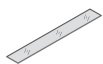
6 - Side Panel

1 Piece(s)



7 - Front Glass Panel

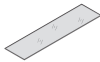






1 Piece(s)










8 - Glass Mounting Bar

1 Piece(s)



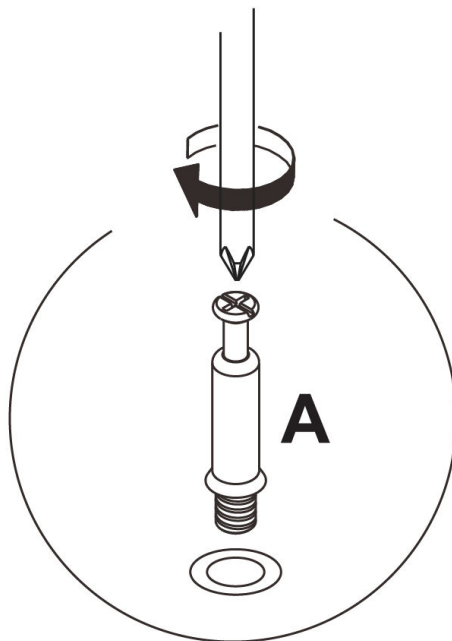
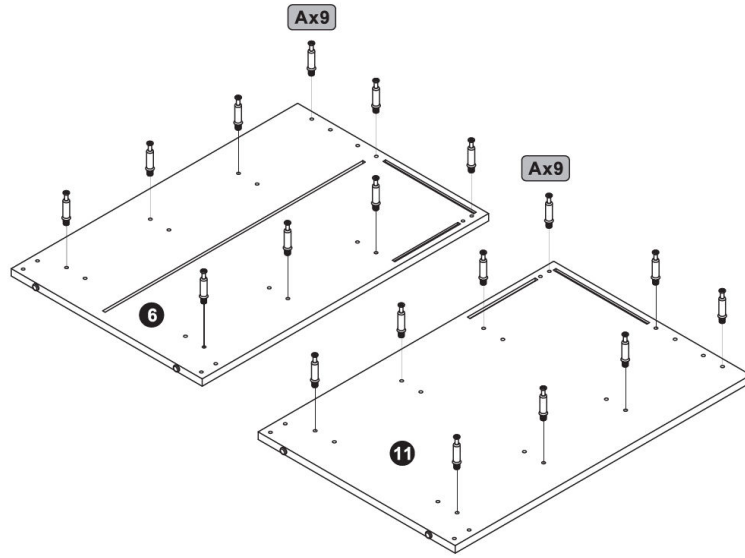
9 - Countertop Glass 1 Piece(s)	
11 - Side Panel 1 Piece(s)	
13 - Kick Plate 1 Piece(s)	
15 - Door 1 Piece(s)	
B - Cam Lock 18 Piece(s)	
D - Phillips Head Screw 2 Piece(s)	
F - LED Extension Cable 1 Piece(s)	

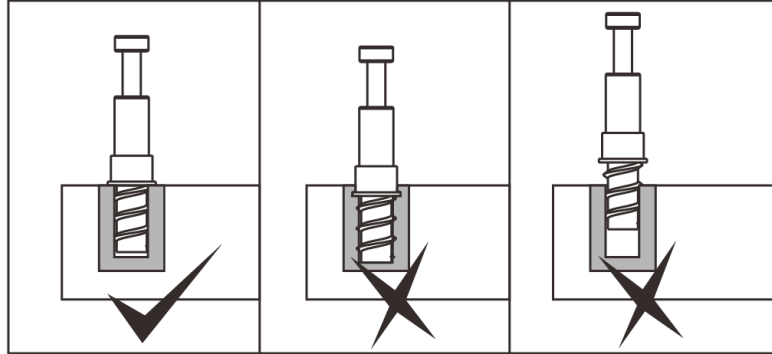
10 - LED-Integrated Counter- top 1 Piece(s)	
12 - Kick Plate with Cable Pass-Through 1 Piece(s)	
14 - Door with Lock Slot 1 Piece(s)	
A - Connector Screw 18 Piece(s)	
C - Door Lock 1 Piece(s)	
E - Power Adapter 1 Piece(s)	
G - Slot Cover Strip 8 Piece(s)	



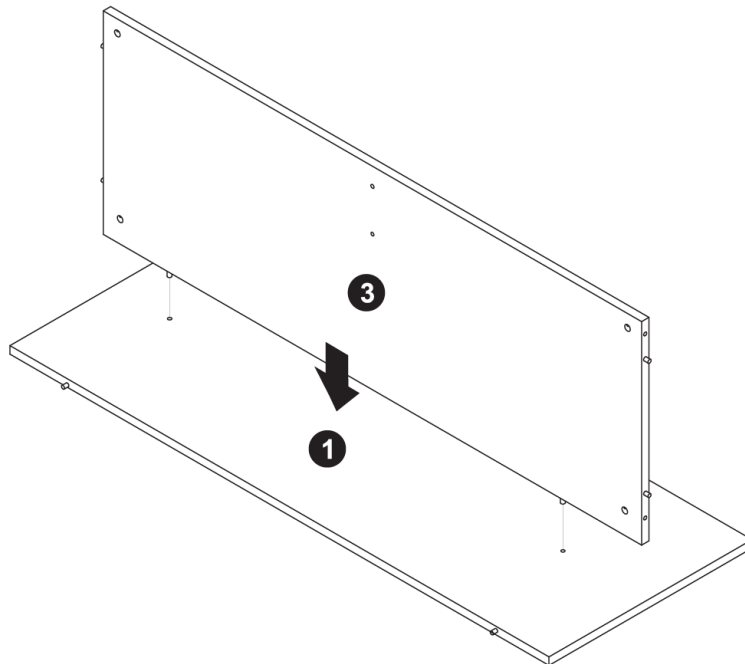
Steps (24)

1.

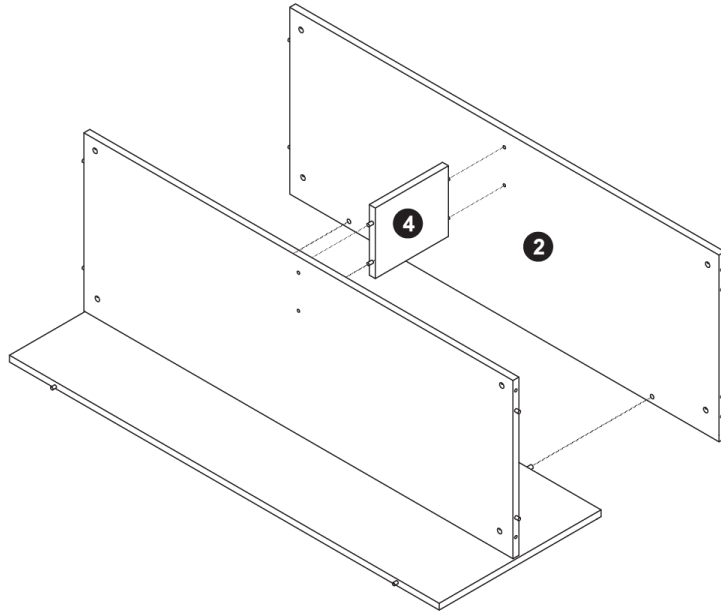




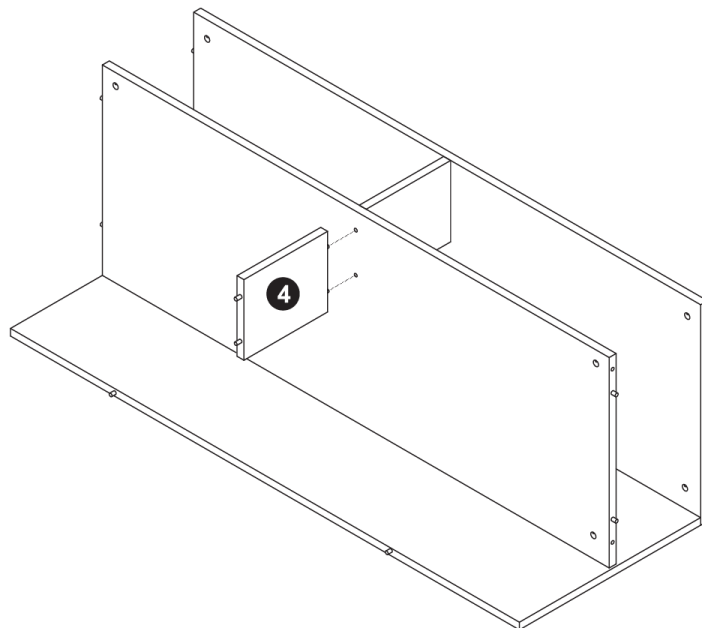
2.



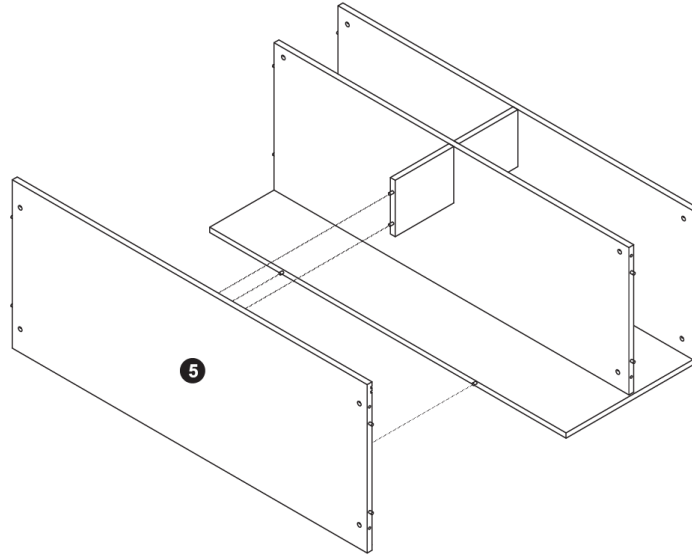
3.



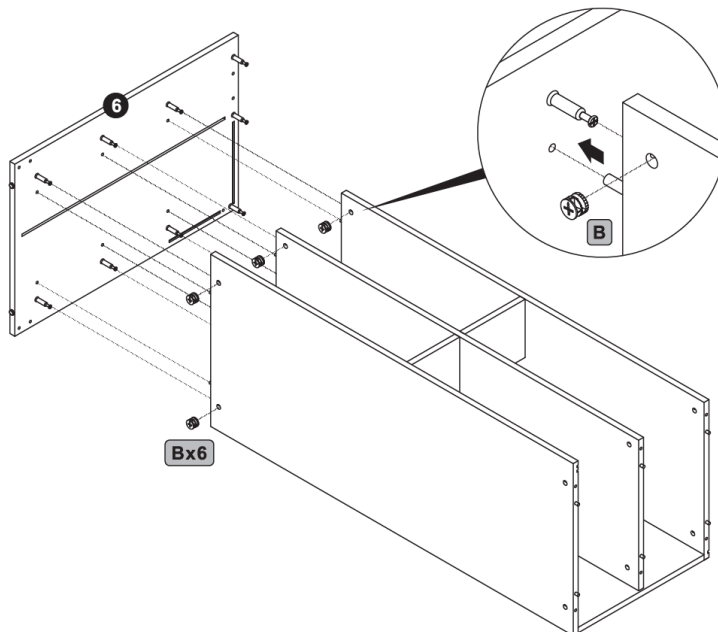
4.

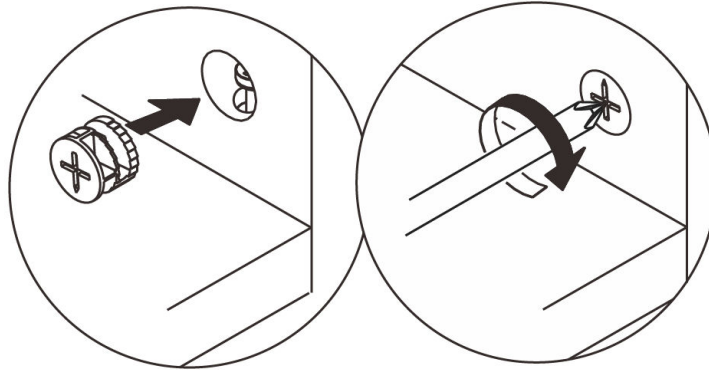
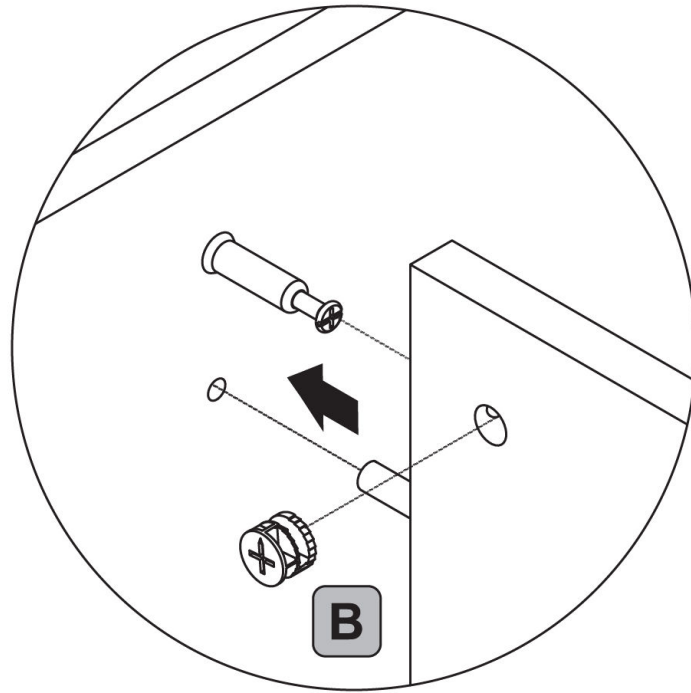


5.

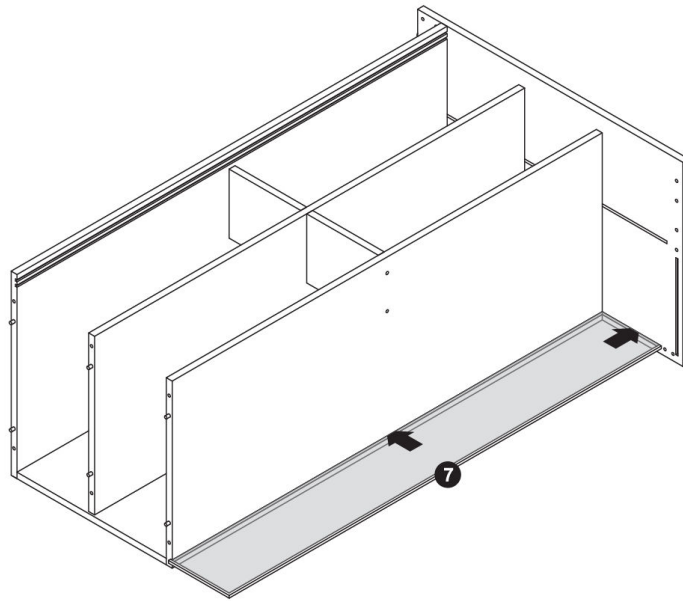


6.

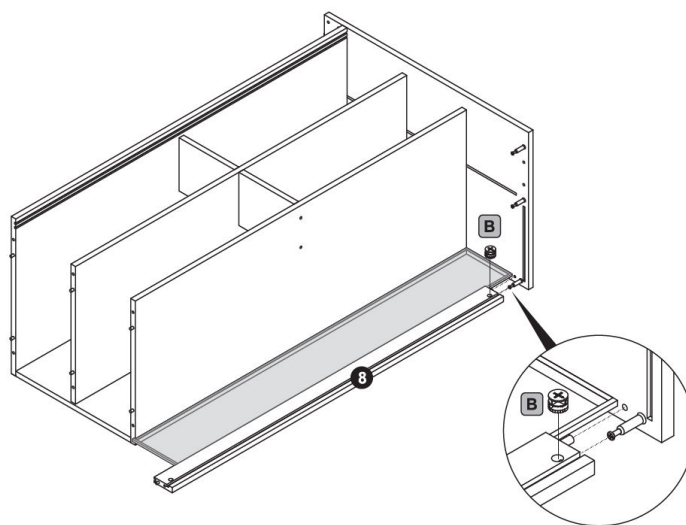


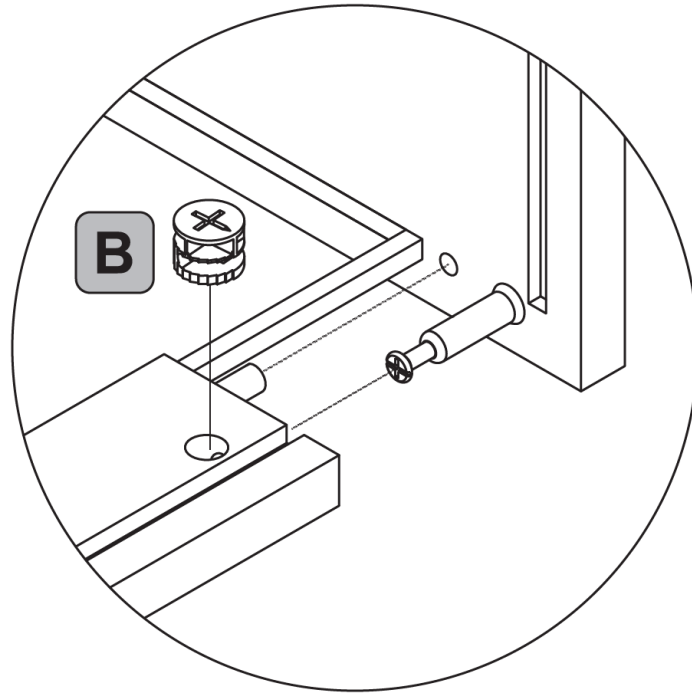


7.

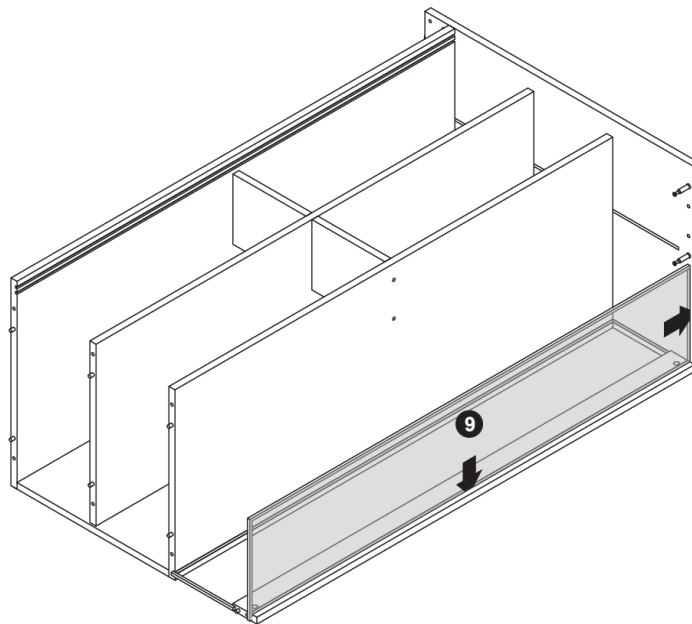


8.

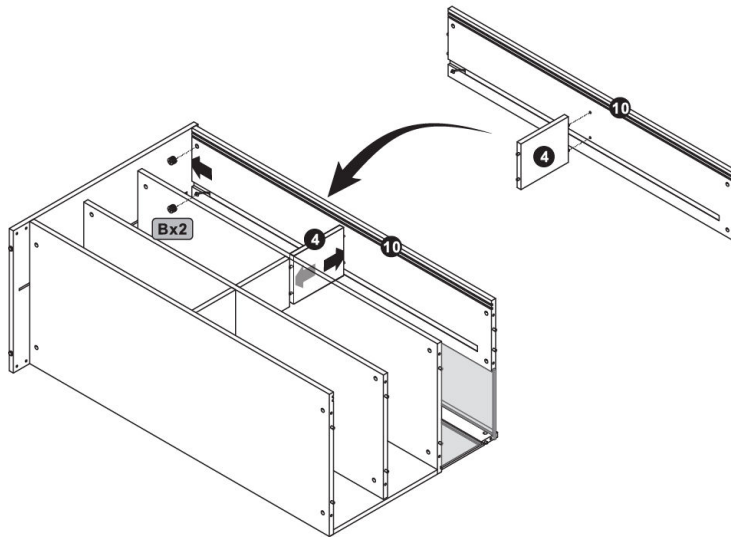
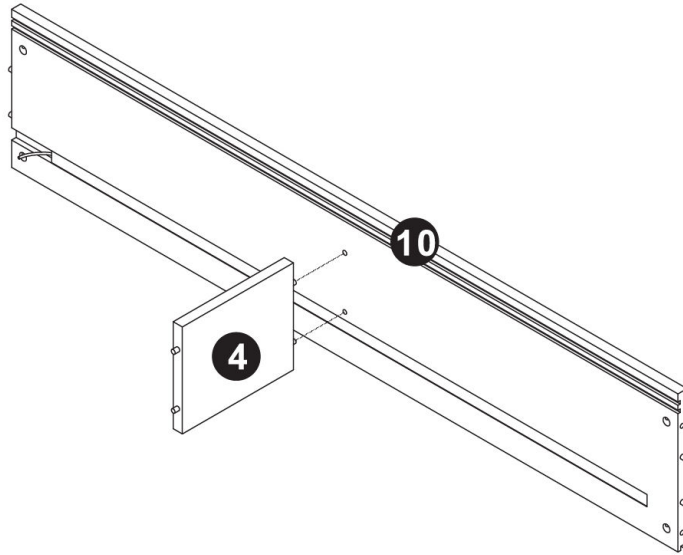


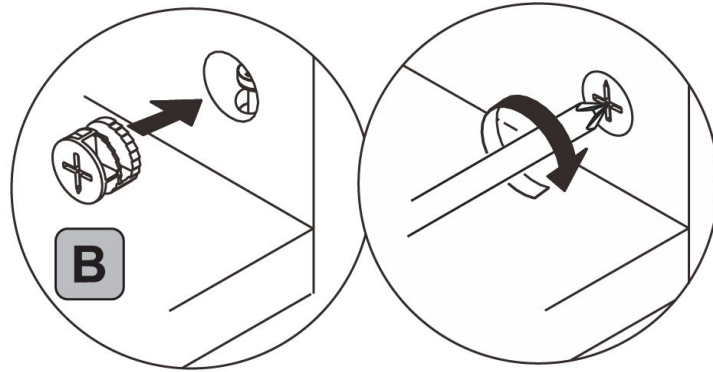


9.

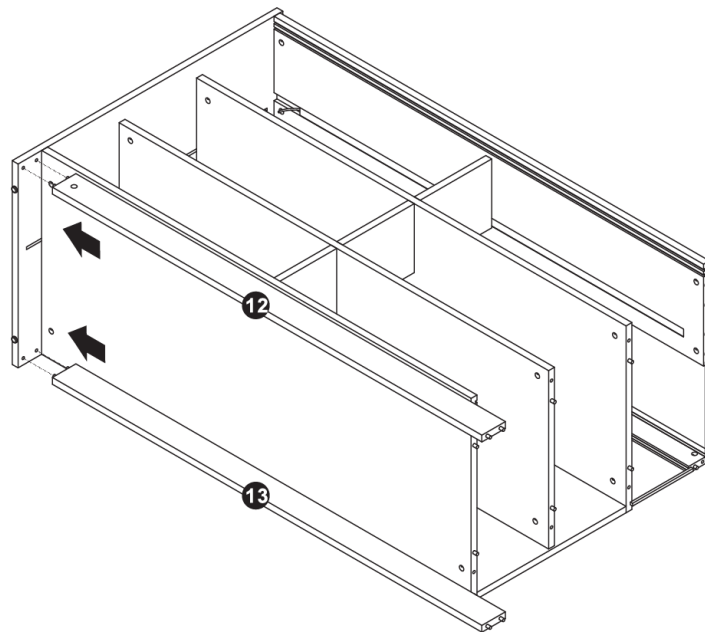


10.

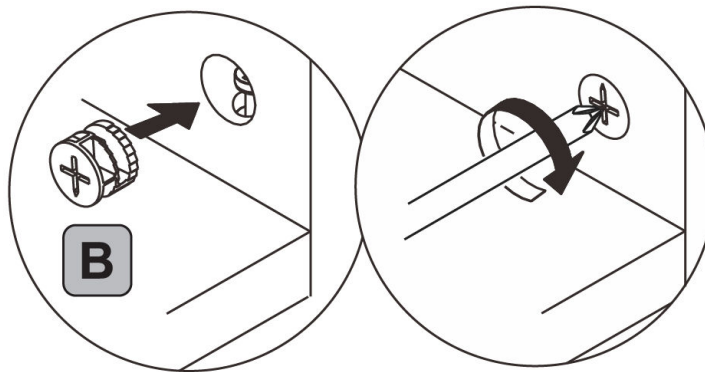
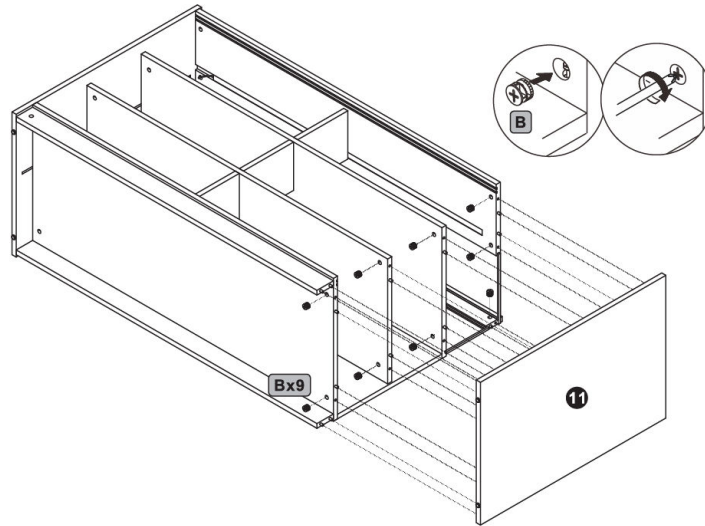




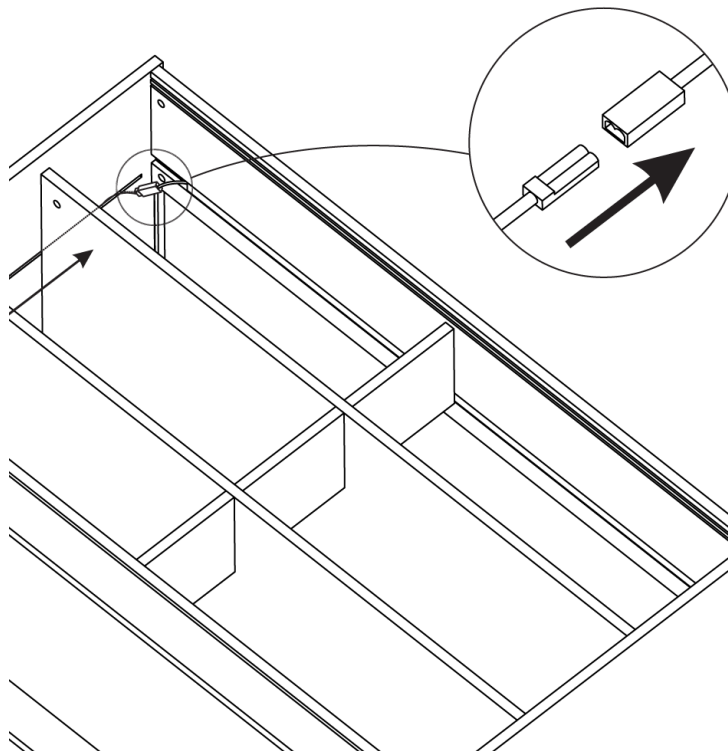
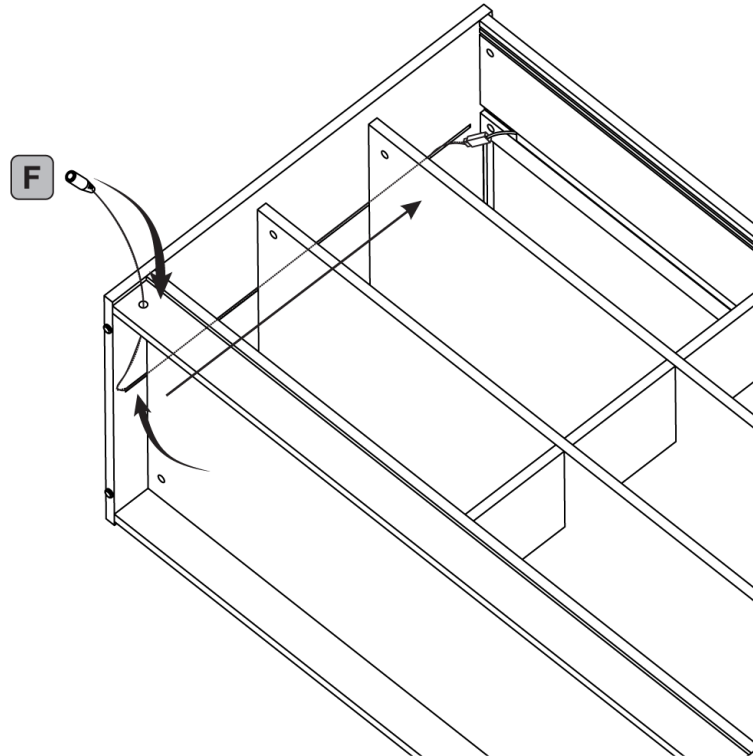
11.



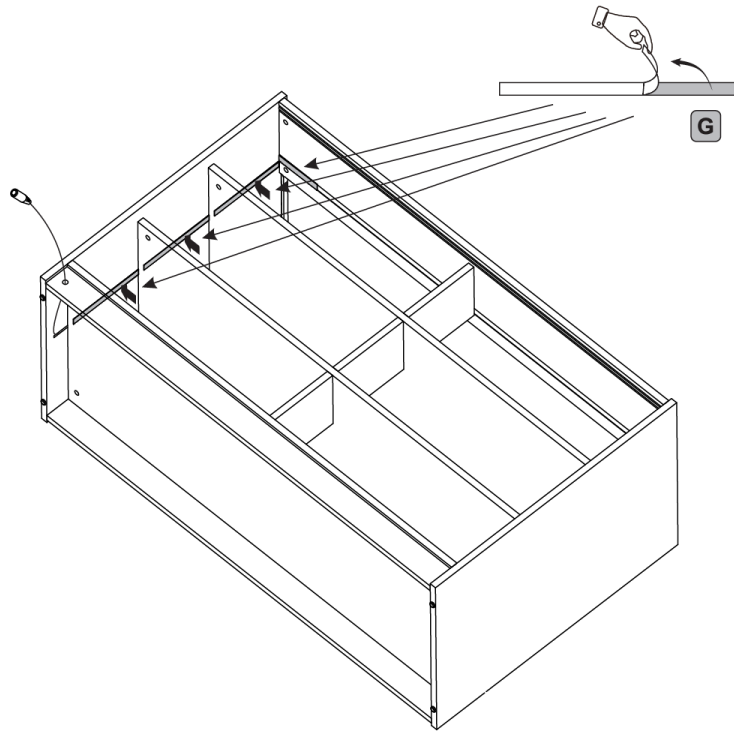
12.



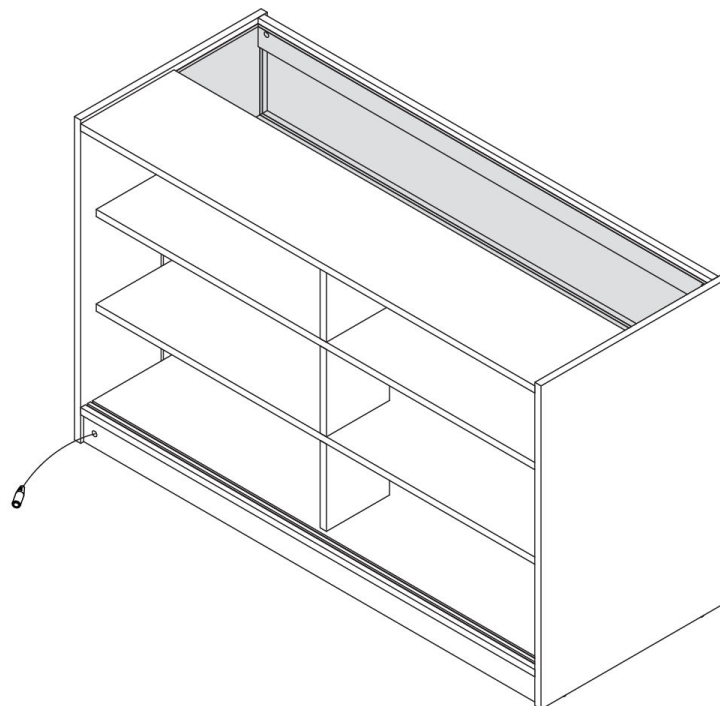
13.



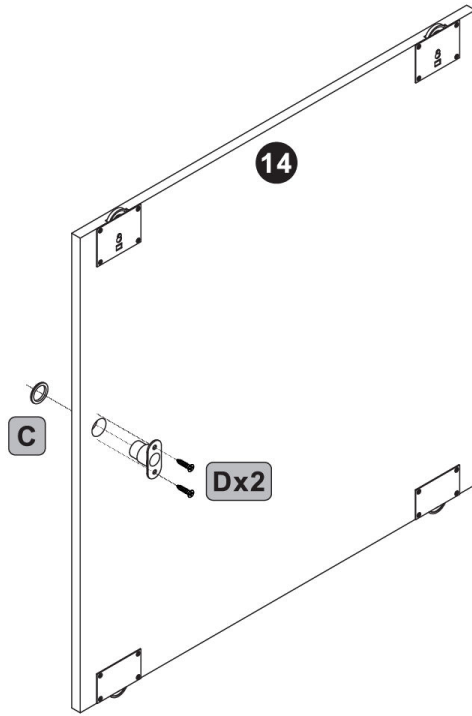
14.



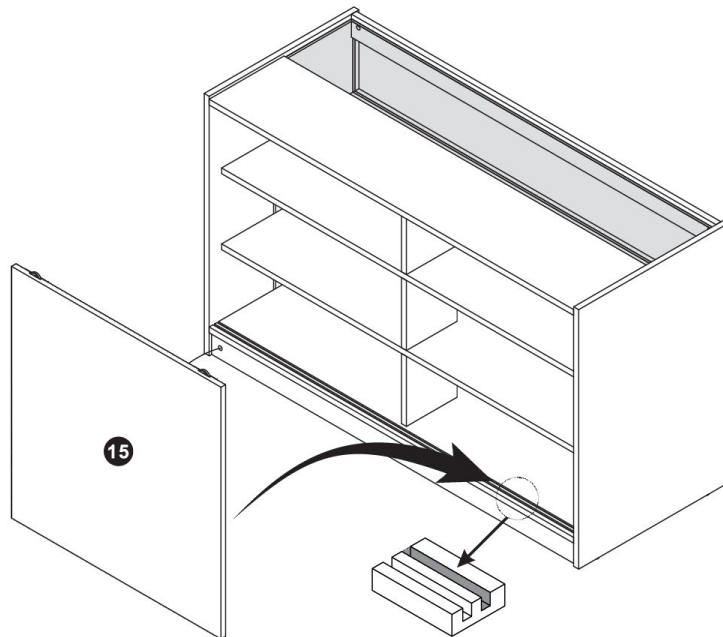
15.



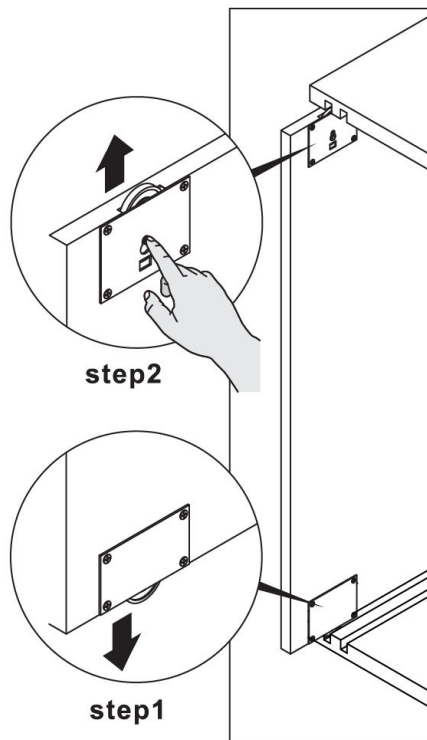
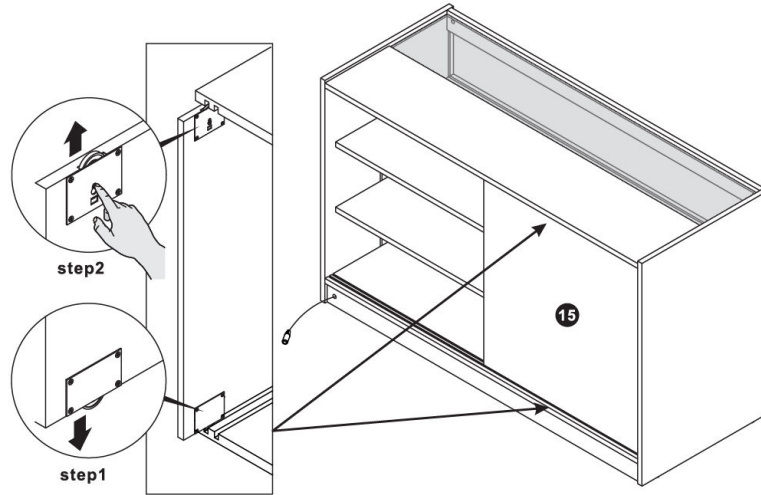
16.



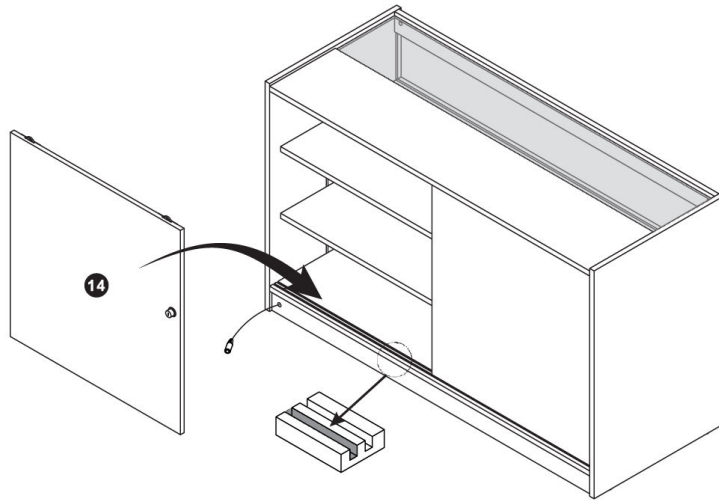
17.



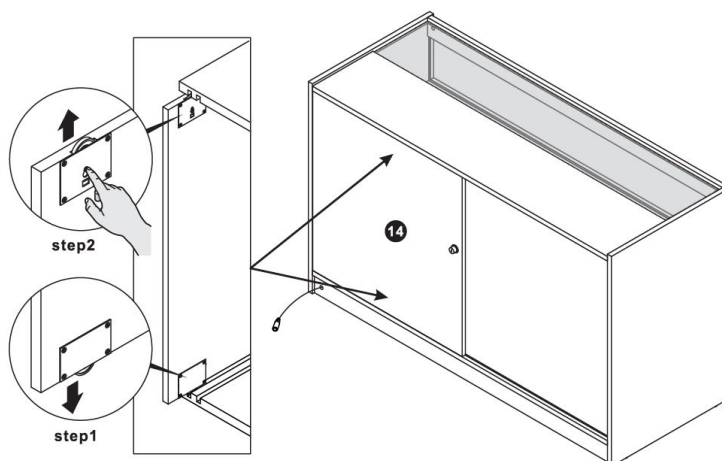
18.

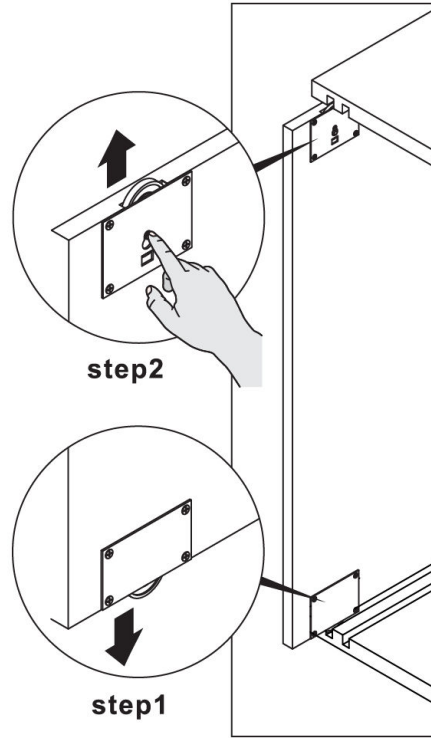


19.

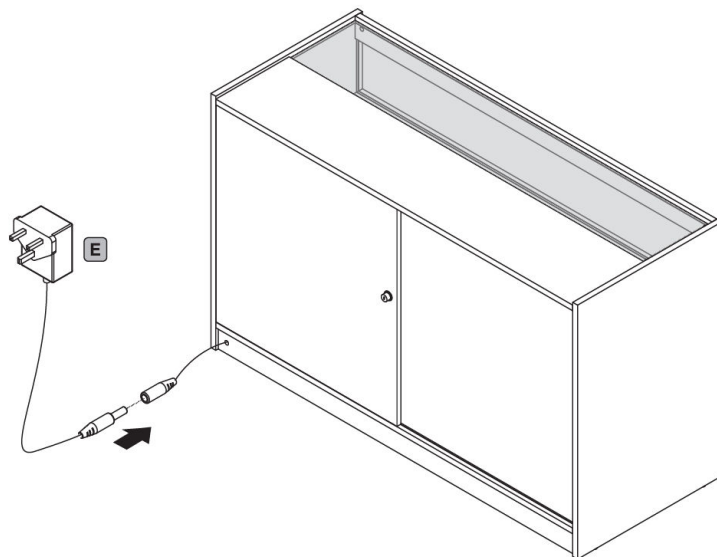


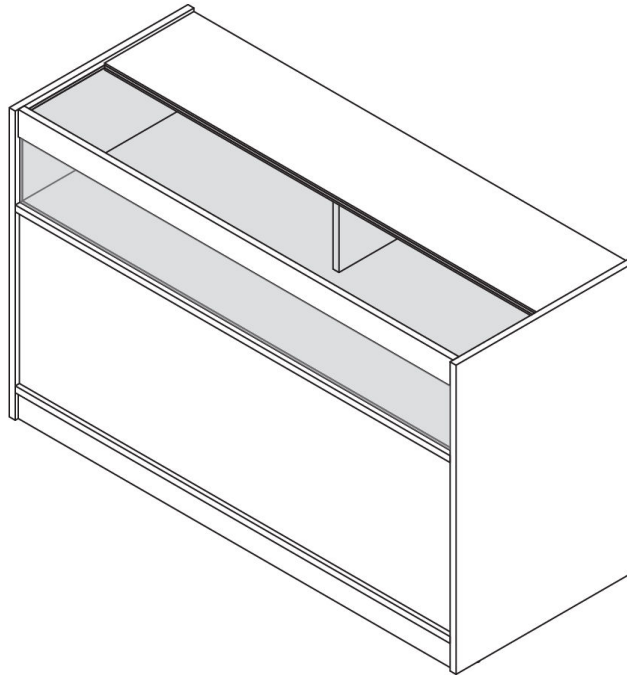
20.





21.



22.**23. Maintenance**

- Clean the unit with a soft, damp cloth. Avoid using harsh chemicals or abrasive cleaners, which could damage the laminate or glass surfaces.
- Clean the glass shelves with appropriate glass-cleaning products to maintain visibility and avoid streaks.

24. Troubleshooting

- **WHAT DO I DO IF THERE ARE MISSING PARTS FROM MY ORDER?**

If there appears to be any part missing from your order, contact our friendly and helpful [Customer Support Team](#) within 7 days of receipt.

- **FOR ALL OTHER ISSUES, PLEASE CONTACT OUR CUSTOMER SUPPORT TEAM.**



