



23440

Magic Kitchen Corner Unit- Right Hand



Try **Monster** - Buy **Monster** - Be **Monster**

Specification

Product Description

Struggling to get to those items at the back of your cupboard? Well we've got a solution. Our magic kitchen corner system provides a practical solution to maximising storage space in a blind corner base unit.

The corner kitchen storage baskets will maximise your space and enhance your kitchen's look and style. A great way of using narrow kitchen space, making sure that no space goes to waste.

Suitable for a 800-900mm cabinet.

It is suggested that you use 270° hinges on your cabinet doors when installing the magic corner kitchen baskets. However, this depends on your kitchen layout.

Item Contents

1 x base plate
1 x frame
4 x wire basket
2 x cover

Screw package:

16 x Round head screws
2 x M4 x 12 Round head bolts
3 x Gasket M6 x 25 x 1.5

Product Specifics

Cabinet Requirements:

Minimum Height: 600mm
Minimum Depth: 520mm
Minimum Width: 700mm

Dimensions: Base Plate: 615mm L x 320mm W
Frame: 510mm H x 320mm W
Assembled unit: 595mm H x 615mm L x 320mm W

Weight: 19.89kg

Shelving Capacity: 15-20kg

Specification

Monster Guarantee

If you wish to return a product in perfect working order, we provide a 30 day returns policy as long as the item is unopened and in a resalable condition.

A 12 month warranty applies to all of our electrical products; we will cover the cost of labour and parts. Our policy is to try and repair the item before arranging an exchange or refund.

If for any reason a part is missing please get in touch with us within 7 days on receipt of your order. You can contact our friendly and helpful Customer Support Team via email or call. For full terms and conditions contact our Support Department via the details on the Contact Us page.

Product Features

- 1) Base plate
- 2) Frame
- 3) Wire Basket

1



2



3

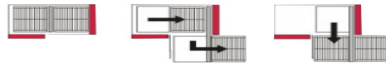


User Guide

Assembly Instructions

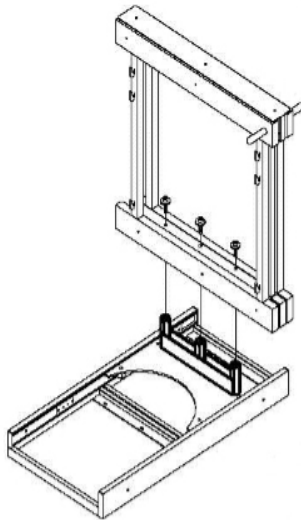
Make sure you have all the components and fixings before starting your project.

The right-hand corner system is designed to pull out in this direction.



Step 1 - Attach the frame to the base plate

1) Attach the frame to the base plate using 3 x round head screws.



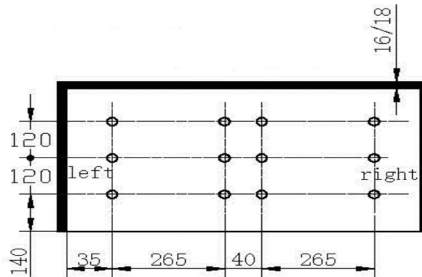
2) Once attached, secure the screws with the 3 gaskets provided. This will create a more secure and stable frame. The gaskets go on top of the screws.

User Guide

Assembly Instructions

Step 2- Pre-drilling holes for the base plate

The diagram below will help you when positioning the base plate in the cabinet.

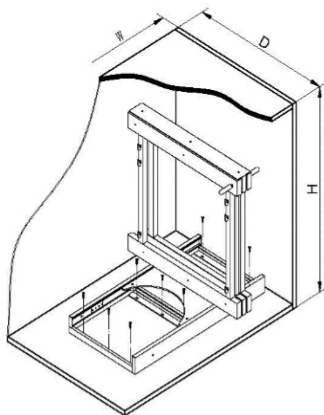


- 1) Place the base plate in the cabinet unit.
- 2) Using a pencil, mark out the 12 pilot holes for the base plate. If you are having trouble, you can use the holes already made within the base plate to mark out your pilot holes.
- 3) Drill the 12 pilot holes you have marked.
- 4) Align the base plate and the 12 pre-drilled holes.

User Guide

Assembly Instructions

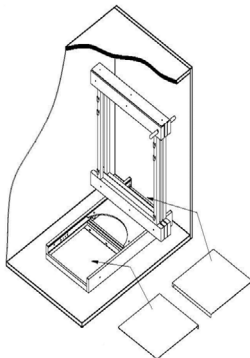
5) Secure 9-12 round head screws into the bottom plate and cabinet.



7) Make sure everything is secure before proceeding.

Step 3- Covers

1) Lay the 2 covers on the bottom base as seen in the image below.



User Guide

Assembly Instructions

Step 4- Attaching the baskets

1) Once everything is secure, you can attach the 4 x wire baskets.

Note: The handles come separate from the unit. You can easily attach them by removing on of the screws on the frame and then attaching the handle. Remember to re-tighten the screw afterwards.

Troubleshooting

Resolution Guide

Please read through the guide below if you have any issues or faults with your device. The information covers and resolves the majority of frequently asked questions.

Q: There are parts missing from my order.

A: If a part is missing please get in touch with us within 7 days on receipt of your order. You can call or email our friendly and helpful Customer Support Team. Please see the details on Contact Us page.

Q: What tools do I need to assembly my corner kitchen baskets?

A: A drill will be needed for making pilot holes in the base of the cabinet. A cross head screwdriver will be needed to tighten screws. You might want a bradawl to help with the insertion of the screws. A spirit level, tape measure and pencil will help when measuring the insides of the cabinet when placing the fixings.

Q: How do I clean and/or maintain my kitchen larder?

A: A damp cloth can be used to clean the baskets. Do not use oil or harsh abrasives when cleaning, as this could damage the metal.

For all other issues please contact our Customer Support department via the details on the Contact page.

Safety Advice

Safe Working Practice

Please read through the safe working practice to ensure prevention of injury or damage to the device.

Please do not assemble the corner kitchen storage system if it is damaged or broken.

Take care when using a drill.

Make sure you wear safety goggles when using a drill.

Tuck away loose clothing and hair when using a drill.

Check the screws regularly for tightness, and retighten if necessary.

Do not over exceed the shelving capacity, detailed on the Specification page.
Note- The capacity is based on the weight distributed across the whole shelf.

Always keep the weight evenly distributed to avoid any damage, and to prevent the baskets from leaning.

Be sure that each basket is properly clipped into place before you begin storing things in the baskets.

The product should only be used indoors, as it could lead to damage if left outside and unprotected.



Contact Us

Sales Department

For information regarding this device or other products from our Monster divisions please use the following details below.

Tel: 01347 878888

Email: hello@monstershop.co.uk

Support Department

For queries about this device, warranty, returns or reporting faults please use the following details below.

Tel: 01347 878887

Email: help@monstershop.co.uk

Website

To view our product range and fantastic offers in the Monster Chef division please visit our website

www.monstershop.co.uk

Address

To visit our office Monster House and view our products, send postal correspondence or return items our address is provided below.

Monster House, Alan Farnaby Way, Sheriff Hutton
Industrial Estate, Sheriff Hutton, York YO60 6PG



Monster Group (UK) is one of the UK's fastest growing online retailers. We supply a diverse range of products which offer exceptional value for money. We strive to provide the best possible customer experience with free UK delivery across all our products and a Monster Guarantee for 100% satisfaction.

Our dedicated customer service team will be more than happy to help with any questions you may have.

Home & Garden
Storage Shelving
Sign & Digital
Retail & Hospitality
Commercial Equipment

Check out all our Monster brands at www.monstershop.co.uk
