



KITCHEN CORNER BASKET LEFT HAND

23441

INSTRUCTION MANUAL

www.monstershop.co.uk



SPECIFICATION

PRODUCT DESCRIPTION

Struggling to get to those items at the back of your cupboard? Well we've got a solution. Our kitchen corner system provides a practical solution to maximising storage space in a blind corner base unit.

The corner kitchen storage baskets will maximise your space and enhance your kitchen's look and style. A great way of using narrow kitchen space, making sure that no space goes to waste.

Suitable for a 900 - 1000mm cabinet with each shelf holding 15-20kg.

Please refer to and read the Safe Working Practice to ensure prevention of injury or damage to the device before starting.

PRODUCT SPECIFICS

MAX. LOAD CAPACITY: 15 - 20kg (weight distributed across the whole shelf)

MIN. CABINET HEIGHT: 530mm

MIN. CABINET DEPTH: 480mm

MIN. CABINET WIDTH: 860mm (can be used in a 900 - 1000mm cabinet)

ITEM CONTENTS

- 1 x Back Frame
- 1 x Articulated Arm
- 1 x Side Frame
- 2 x Rear Storage Baskets
- 2 x Door Storage Baskets
- 30 x Flat Head Screw (ST5 x 14)
- 4 x Flat Head Screw (ST3 x 10)

Monster Group UK Limited's liability will be limited to the commercial value of the product only.

SAFETY ADVICE

SAFE WORKING PRACTICE

Please read through the Safe Working Practice to ensure prevention of injury or damage to the device.

Do not assemble the corner kitchen basket unit if any parts are damaged and/or broken.

Use eye protection when using tools such as the drill.

Ensure loose clothing and hair is tucked away when using a drill.

Make sure parts of the corner kitchen basket unit are secure before continuing with assembly.

The product should only be used indoors, as it could lead to damage if left outside and unprotected.

Check the screws regularly for tightness, retighten if necessary.

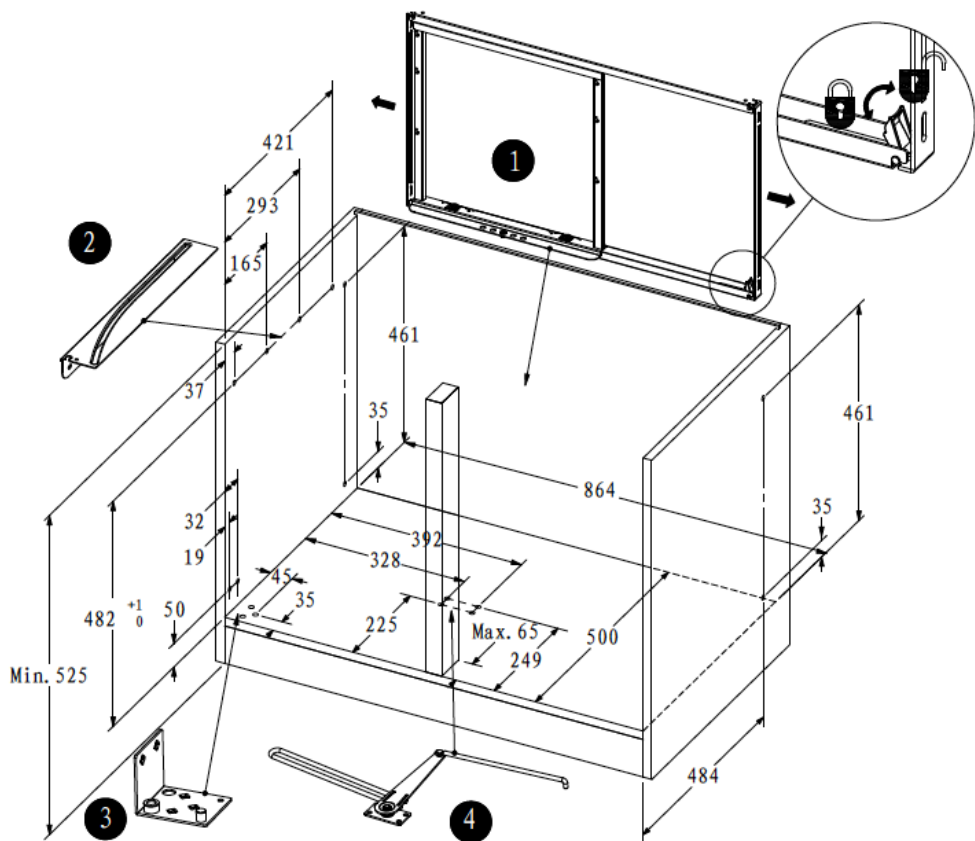
Do not exceed the shelving capacity.

Always keep the weight evenly distributed to avoid damage and to prevent the baskets from leaning.

Be sure that each basket is properly clipped into place before you begin storing items in the baskets.

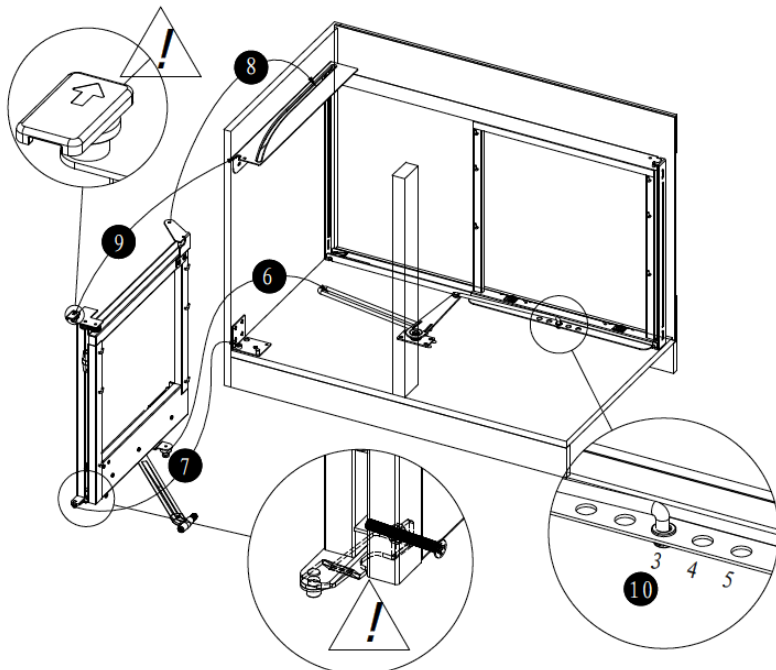
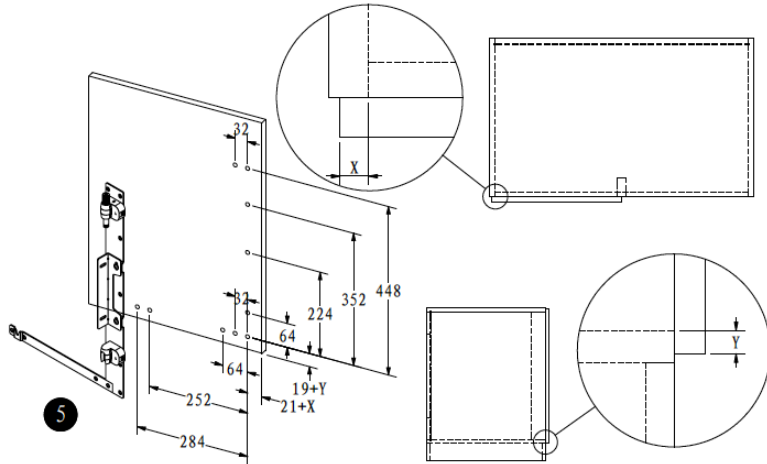
USER GUIDE

ASSEMBLY INSTRUCTIONS



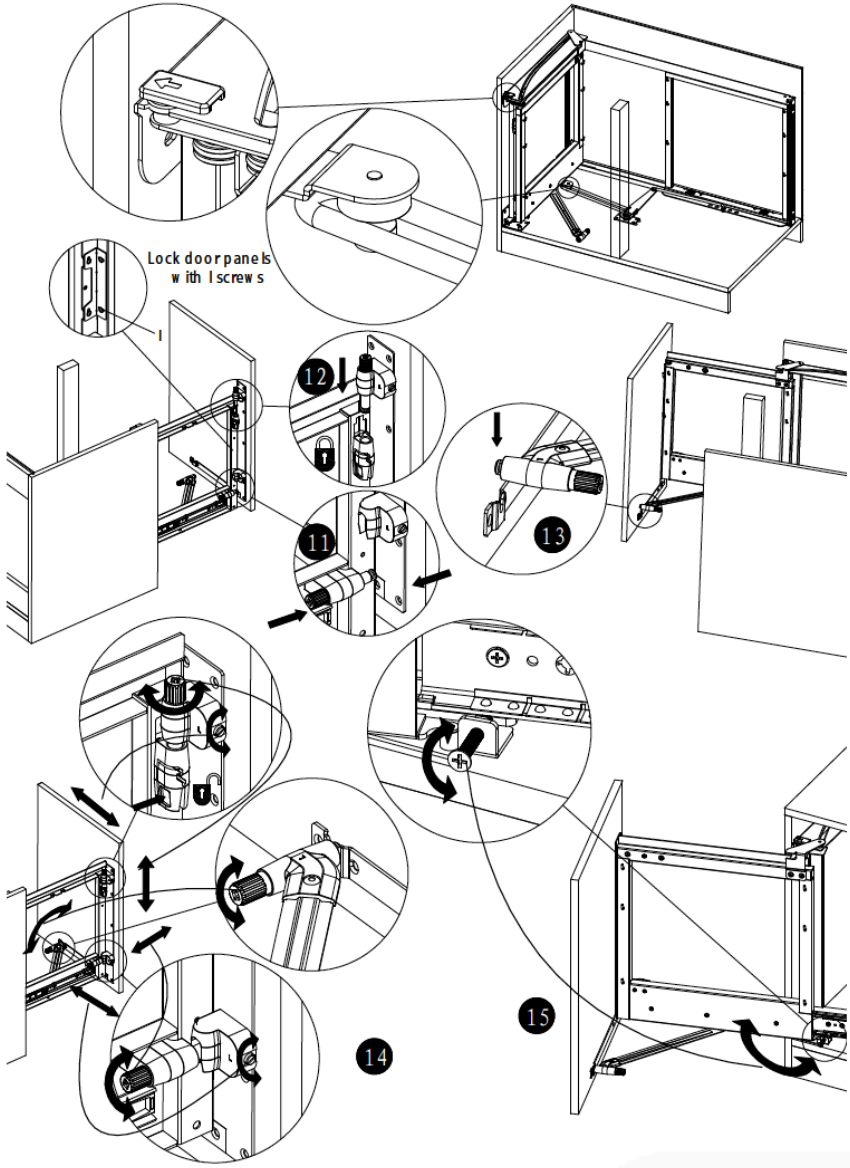
USER GUIDE

ASSEMBLY INSTRUCTIONS



USER GUIDE

MAINTENANCE



TROUBLESHOOTING

RESOLUTION GUIDE

WHAT DO I DO IF THERE ARE MISSING PARTS FROM MY ORDER?

If there appears to be any part missing from your order, contact our friendly and helpful Customer Support Team within 7 days of receipt.

HOW DO I MAINTAIN MY CORNER KITCHEN BASKET UNIT?

Check the screws regularly to ensure they are tight and secure. If the baskets need cleaning, use water and a damp cloth, as chemical cleaners could damage the basket.

**FOR ALL OTHER ISSUES, PLEASE CONTACT OUR
CUSTOMER SUPPORT TEAM.**



SPÉCIFICATIONS

DESCRIPTION DU PRODUIT

La responsabilité de Monster Group UK Limited sera limitée à la valeur commerciale du produit.



SPEZIFIKATIONEN

PRODUKTBESCHREIBUNG

Die Haftung von Monster Group UK Limited ist auf den Handelswert des Produkts beschränkt.



ESPECIFICACIONES

DESCRIPCIÓN DEL PRODUCTO

La responsabilidad de Monster Group UK Limited estará limitada únicamente al valor comercial del producto.



SPECIFICHE

DESCRIZIONE DEL PRODOTTO

La responsabilità di Monster Group UK Limited sarà limitata al solo valore commerciale del prodotto.

Monster Group (UK) is one of the UK's fastest growing online retailers. We supply a diverse range of products which offer exceptional value for money. We strive to provide the best possible customer experience with free UK delivery across all our products and a Monster Guarantee for 100% satisfaction.

For information regarding this device or other products from our Monster divisions please contact Sales.

SALES

TEL: 01347 878 888

EMAIL: hello@monstershop.co.uk

For queries about this device, warranty, returns or reporting faults please contact Support.

SUPPORT

TEL: 01347 878 887

EMAIL: help@monstershop.co.uk

Pour plus d'informations concernant cet appareil ou d'autres produits de nos divisions de Monster veuillez utiliser les détails suivants ci-dessous.

DÉPARTEMENT COMMERCIAL

TEL: 01347 878 888

EMAIL: bonjour@monstershop.eu

Pour les interrogations concernant cet appareil, la garantie, les retours ou les défauts de déclaration veuillez utiliser les détails suivants ci-dessous.

DÉPARTEMENT DE SOUTIEN

TEL: 01347 878 887

EMAIL: help@monstershop.co.uk

Para información sobre este dispositivo u otros productos de nuestras divisiones de Monster por favor use los siguientes detalles.

DEPARTAMENTO DE VENTAS

TEL: 01347 878 888

EMAIL: hola@monstershop.eu

Para consultas sobre este dispositivo, la garantía, devoluciones o denuncias de fallos por favor use los siguientes detalles.

DEPARTAMENTO DE SOPORTE

TEL: 01347 878 887

EMAIL: help@monstershop.co.uk

Für Informationen bezüglich dieses Geräts oder anderer produkte aus unserer Monster-Abteilung, benutzen sie die folgenden unten aufgeführten angaben.

VERKAUFABTEILUNG

TEL: 01347 878 888

EMAIL: hallo@monstershop.eu

Für fragen über dieses gerät, die garantie, rückgaben oder bei störungen, benutzen sie die folgenden unten aufgeführten angaben.

SUPPORT-ABTEILUNG

TEL: 01347 878 887

EMAIL: help@monstershop.co.uk

Per informazioni riguardanti questo dispositivo o altri prodotti dalle categorie Monster utilizzare i dettagli sotto riportati.

DIPARTIMENTO VENDITE

TEL: 01347 878 888

EMAIL: ciao@monstershop.eu

Per domande riguardo dispositivo, garanzia, reso o per riferire di guasti, utilizzare i dettagli sotto riportati.

DIPARTIMENTO SUPPORTO

TEL: 01347 878 887

EMAIL: help@monstershop.co.uk

Monster House, Alan Farnaby Way,
Sheriff Hutton Industrial Estate,
Sheriff Hutton, York, YO60 6PG
www.monstershop.co.uk



 Try **Monster**. Buy **Monster**. Be **Monster**. 