

23442

Kitchen Corner Basket- Right Hand



Try **Monster** - Buy **Monster** - Be **Monster**

Specification

Product Description

Struggling to get to those items at the back of your cupboard? Well we've got a solution. Our kitchen corner system provides a practical solution to maximising storage space in a blind corner base unit.

The corner kitchen storage baskets will maximise your space and enhance your kitchen's look and style. A great way of using narrow kitchen space, making sure that no space goes to waste.

Suitable for a 900 - 1000mm cabinet with each shelf holding 15-20kg.

Item Contents

- 1 x Back frame
- 1 x Articulated arm
- 1 x Side Frame
- 2 x Rear storage baskets
- 2 x Door storage baskets
- 30 x Flat head screw (ST5 x 14)
- 4 x Flat head screw (ST3 x 10)

Product Specifics

Cabinet requirements:

min cabinet height: 530mm

min cabinet depth: 480mm

min cabinet width: 860mm (can be used in a 900- 1000mm cabinet)

Monster Guarantee

If you wish to return a product in perfect working order, we provide a 30 day returns policy as long as the item is unopened and in a resalable condition.

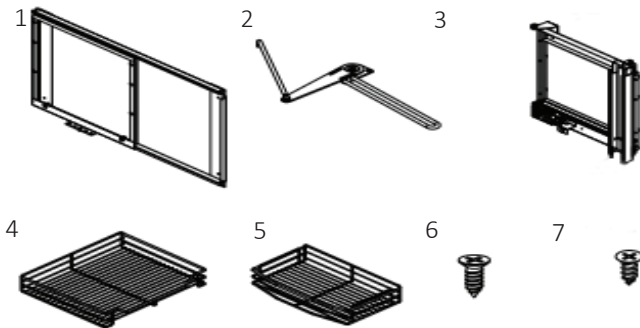
A 12 month warranty applies to all of our electrical products; we will cover the cost of labour and parts. Our policy is to try and repair the item before arranging an exchange or refund.

If for any reason a part is missing please get in touch with us within 7 days on receipt of your order. You can contact our friendly and helpful Customer Support Team via email or call. For full terms and conditions contact our Support Department via the details on the Contact Us page.

Specification

Product Features

- 1) Back frame
- 2) Articulated arm
- 3) Side frame
- 4) Rear storage basket
- 5) Door storage basket
- 6) Flat head screw
- 7) Flat head screw (Use for the installation of the brackets)



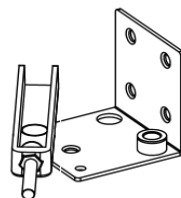
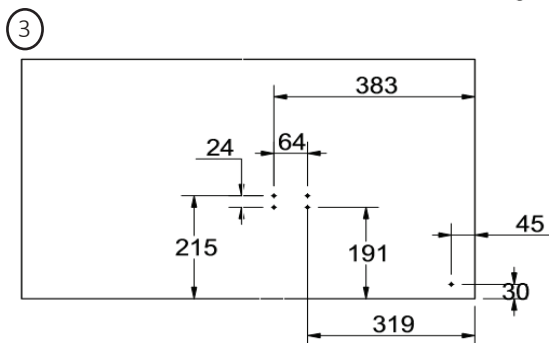
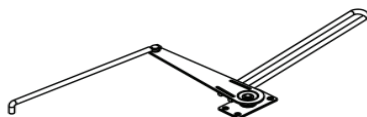
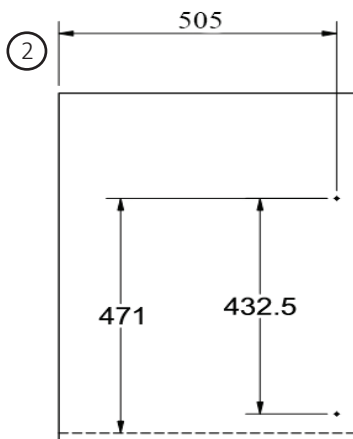
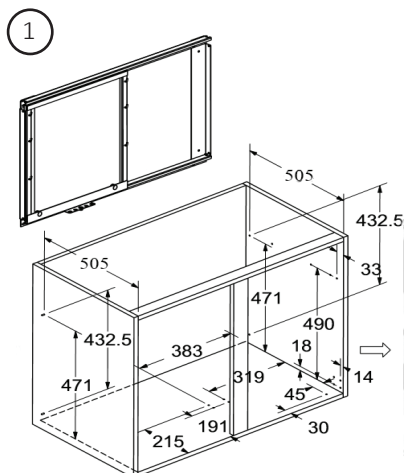
User Guide

Assembly Instructions

The fixing positions for the accessories:

- 1 - Back frame
- 2 - Articulated arm
- 3 - Side Frame

(The small black circles on each diagram represent a pilot hole)

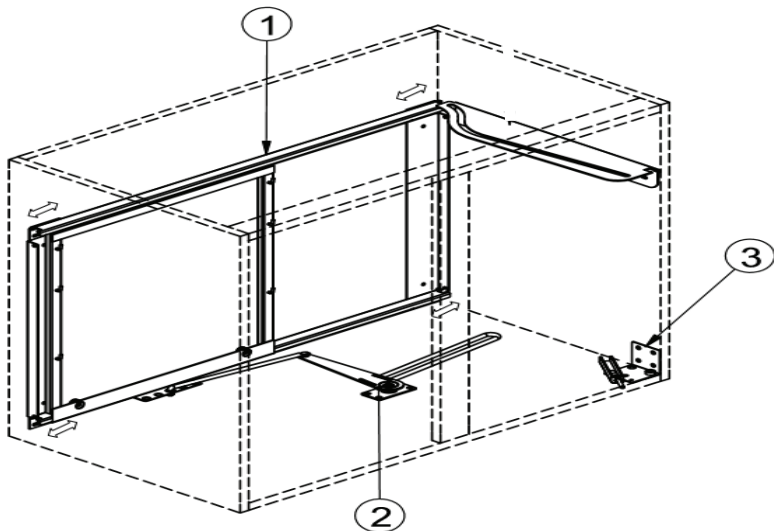


User Guide

Assembly Instructions

Step 1- Pilot Holes

- 1) Make sure you have marked where all the pilot holes should be. Use the diagrams to help.
- 2) Drill the pilot holes.
- 3) Fix the back frame (1), articulated arm (2) and side frame (3) into the cabinet using the flat head screws provided.



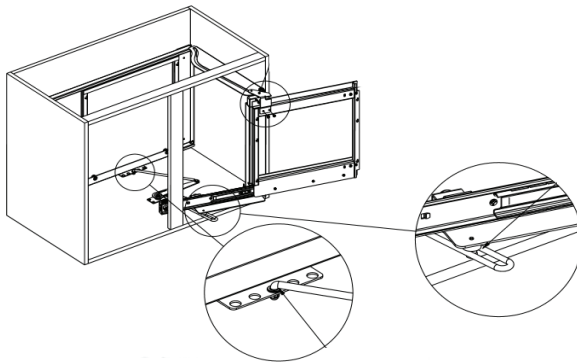
- 4) Make sure all screws are secure before proceeding.

User Guide

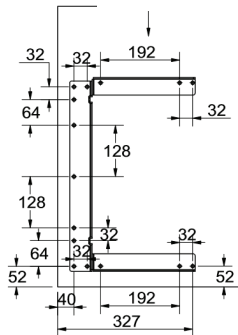
Assembly Instructions

Step 2- Adjustable opening for the door

- 1) Attach the side frame (3) to the articulated arm (2), and then attach the arm to the back frame (1).



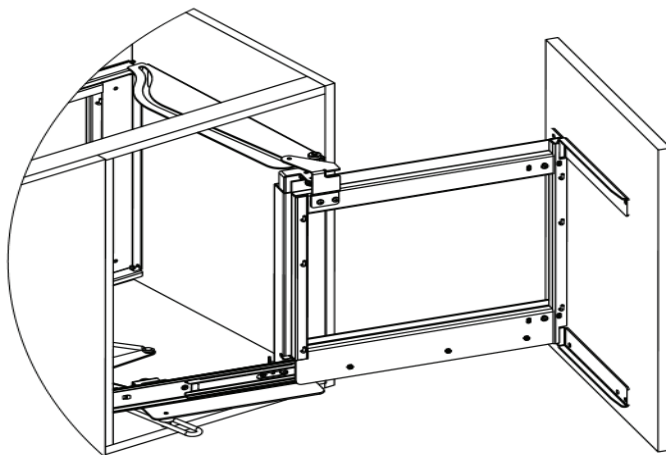
- 2) Mark out the fixing position for the door connector on the cabinet door. Use the diagram below to help. The small circles represent pilot holes.



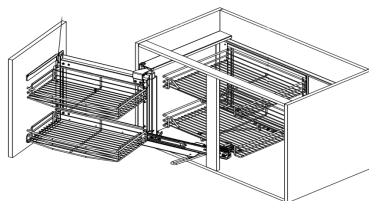
User Guide

Assembly Instructions

- 3) Drill the pilot holes.
- 4) Attach the door connectors to the cabinet door using the screws provided. The door connectors are already attached to the side frame (3).



- 5) Attach the storage baskets by simply slotting them onto the back and outer frames.



Troubleshooting

Resolution Guide

Please read through the guide below if you have any issues or faults with your device. The information covers and resolves the majority of frequently asked questions.

Q: There are parts missing from my order.

A: If a part is missing please get in touch with us within 7 days on receipt of your order. You can call or email our friendly and helpful Customer Support Team. Please see the details on Contact Us page.

Q: What kind of tools should I use to assemble the Corner kitchen baskets?

A: A tape measure, ruler and pencil will be needed to mark out the create fixings positions for each item. A drill will be needed to create pilot holes for the screws. You will need a screwdriver to secure the screws.

Q: How do I maintain my corner kitchen basket unit?

A: Check the screws regularly for tightness, and tighten when needed. If the baskets need cleaning, use water and a damp cloth, as chemical cleaners could damage the basket.

For all other issues please contact our Customer Support department via the details on the Contact page.

Safety Advice

Safe Working Practice

Please read through the safe working practice to ensure prevention of injury or damage to the device.

Do not assemble the Corner kitchen basket unit if any parts are damaged and/or broken.

Use eye protection when using tools such as the drill.
Ensure loose clothing and hair is tucked away when using a drill.

Make sure parts of the corner kitchen basket unit are secure before continuing with assembly.

The product should only be used indoors, as it could lead to damage if left outside and unprotected.

Check the screws regularly for tightness, and retighten if necessary.

Do not over exceed the shelving capacity, detailed on the Specification page.
Note- The capacity is based on the weight distributed across the whole shelf.

Always keep the weight evenly distributed to avoid any damage, and to prevent the baskets from leaning.

Be sure that each basket is properly clipped into place before you begin storing items in the baskets.



Contact Us

Sales Department

For information regarding this device or other products from our Monster divisions please use the following details below.

Tel: 01347 878888

Email: hello@monstershop.co.uk

Support Department

For queries about this device, warranty, returns or reporting faults please use the following details below.

Tel: 01347 878887

Email: help@monstershop.co.uk

Website

To view our product range and fantastic offers in the Monster Chef division please visit our website

www.monstershop.co.uk

Address

To visit our office Monster House and view our products, send postal correspondence or return items our address is provided below.

Monster House, Alan Farnaby Way, Sheriff Hutton
Industrial Estate, Sheriff Hutton, York YO60 6PG



Monster Group (UK) is one of the UK's fastest growing online retailers. We supply a diverse range of products which offer exceptional value for money. We strive to provide the best possible customer experience with free UK delivery across all our products and a Monster Guarantee for 100% satisfaction.

Our dedicated customer service team will be more than happy to help with any questions you may have.

Home & Garden
Storage Shelving
Sign & Digital
Retail & Hospitality
Commercial Equipment

Check out all our Monster brands at www.monstershop.co.uk
