



23494/23495

Kitchen Larder Unit



Try **Monster** - Buy **Monster** - Be **Monster**

Specification

Product Description

Struggling to get to those items at the back of your cupboard? Well we've got a solution. Our pull-out kitchen larder will help you to reach everything with ease.

The centre mounted larder units allow full access to either side of the baskets, so you can store a range of items. A great way of using narrow kitchen space, making sure that no space goes to waste.

Item Contents

- 1 x Frame
- 1 x Top runner
- 1 x Bottom runner
- 2 x Door plate
- 2 x Door connector
- 6 x Wire basket
- 12 x Basket clip
- 1 x Allen key
- 1 x Allen key

Screw Package:

Frame-

- 32 x Round head screw (ST4 x 16)
- 4 x Allen head bolt (M6 x 20)
- 4 x Pan head bolt (M6 x 12)
- 4 x Flat hex screw (M6 x 15)

Specification

Item Contents

Screw Package:

Runners-

11 x Round head screw (ST4 x 16)

Product Specifics

300mm Cabinet and 1700- 1950mm height:

Frame: 450mm D x 240mm W x 1700- 1950mm H

Baskets: 415mm D x 252mm W x 75mm H

300mm Cabinet and 1900- 2200mm height:

Frame: 500mm D x 350mm W x 1900- 2200mm H

Baskets: 415mm D x 252mm W x 75mm H

Shelving Capacity: 15kg- 20kg

Monster Guarantee

If you wish to return a product in perfect working order, we provide a 30 day returns policy as long as the item is unopened and in a resalable condition.

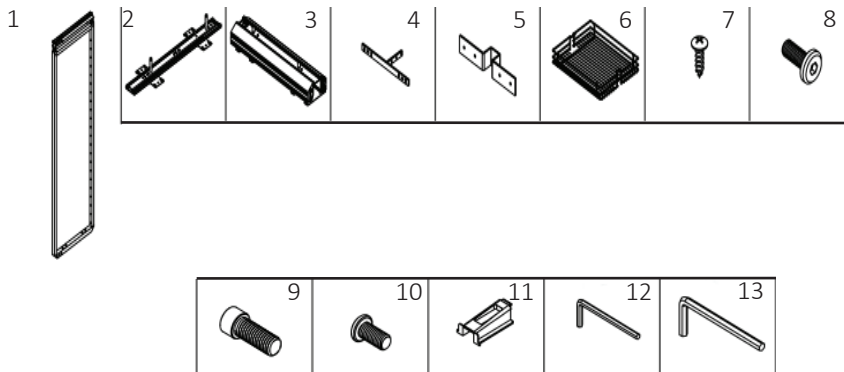
A 12 month warranty applies to all of our electrical products; we will cover the cost of labour and parts. Our policy is to try and repair the item before arranging an exchange or refund.

If for any reason a part is missing please get in touch with us within 7 days on receipt of your order. You can contact our friendly and helpful Customer Support Team via email or call. For full terms and conditions contact our Support Department via the details on the Contact Us page.

Specification

Product Features

- 1) Frame
- 2) Top runner
- 3) Bottom runner
- 4) Door plate
- 5) Door connector
- 6) Wire basket
- 7) Round head screw (ST4 x 16) (Pre-assembled on brackets)
- 8) Allen head bolt (M6 x 20) (Pre-assembled on frame)
- 9) Pan head bolt (M6 x 12) (pre-assembled on frame)
- 10) Flat hex screw (M6 x 15)
- 11) Basket clip
- 12) Allen key
- 13) Allen key



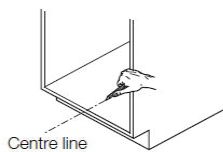
User Guide

Assembly Instructions

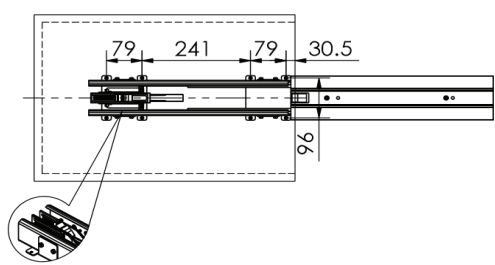
Make sure you have all the components before starting your project.

Step 1- Installing the bottom runner

- 1) Draw a centre line on the bottom panel of the cabinet you are installing the pull-out larder in.



- 2) Align the bottom runner with the centre line on the bottom panel.
- 3) Mark the positions of the pilot holes required for the bottom runner.



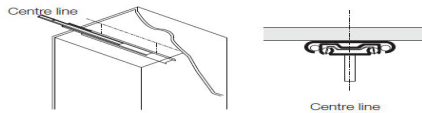
- 4) Pre-drill the 8 pilot holes.
- 5) Use 8 round head screws to secure the runner to the base of the cabinet.

User Guide

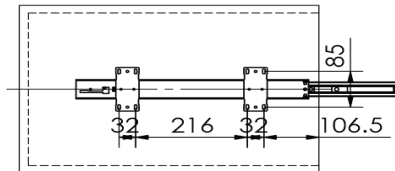
Assembly Instructions

Step 2- Installing the top runner

- 1) Repeat the same procedure on the top of the cabinet by finding and drawing the centre line.
- 2) Align the top runner with the centre line on the top panel.



- 3) Mark the positions of the pilot holes required for the top runner.



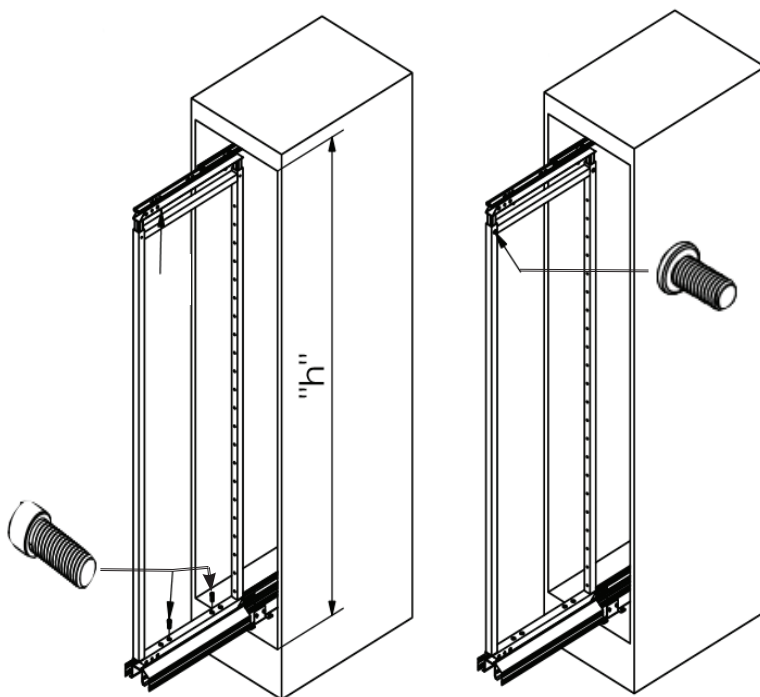
- 4) Pre-drill the 8 pilot holes.
- 5) Reposition the top runner on the centre line and secure it with 8 round head screws.

User Guide

Assembly Instructions

Step 3- The frame

- 1) Extend the top and bottom runners.
- 2) Attach the frame to the top and bottom runners. Use the image below to help. (2 x pan head bolt and 1 x flat hex screw).

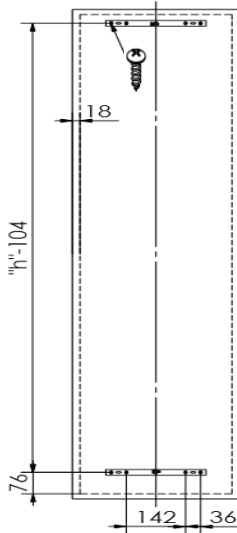


User Guide

Assembly Instructions

Step 4- Fixing the door plates

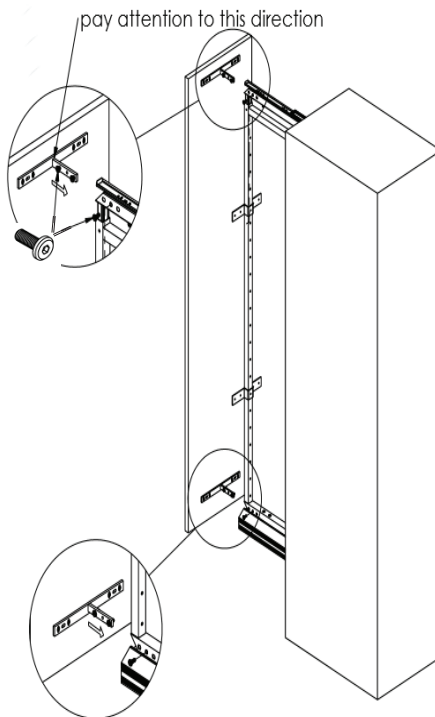
- 1) Mark the location of the door plates on the cabinet door. Use the image below to help.



- 2) Mark the 8 pilot holes for the 8 round head screws.
- 3) Drill the 8 fixing holes.
- 4) Attach the door plates to the cabinet door using 8 round head screws.
- 5) Once the door plates have been fitted, attach them to the frame. Use the image to help you.

User Guide

Assembly Instructions

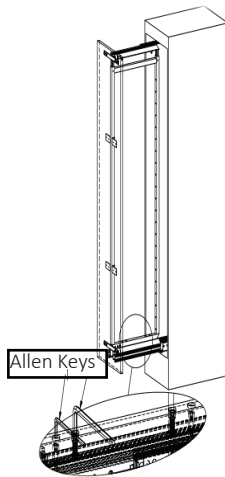


- 6) Attach the door plates to the frame using the allen head bolts. You can see an image of the bolt in the picture above.
- 7) Attach the 2 other door plates using 4 round head screws. Remember to mark pilot holes before drilling!

User Guide

Operation Instructions

8) You can adjust the cabinet door by adjusting the bolts. Use the provided allen key to do so.



Step 5- Attaching the Baskets

1) Fit the wire baskets to the frame and place the plastic clips over the wires to securely fasten it to the frame.



2) Make sure everything is secure.

Troubleshooting

Resolution Guide

Please read through the guide below if you have any issues or faults with your device. The information covers and resolves the majority of frequently asked questions.

Q: There are parts missing from my order.

A: If a part is missing please get in touch with us within 7 days on receipt of your order. You can call or email our friendly and helpful Customer Support Team. Please see the details on Contact Us page.

Q: What tools do I need to assembly my kitchen larder?

A: A drill will be needed for making holes for the screws. A cross head screwdriver will be needed to tighten screws, as well as an allen key. You might want a bradawl to help with the insertion of the screws. A spirit level, tape measure and pencil will help when measuring the insides of the cabinet when placing the fixings.

Q: How do I clean and/or maintain my kitchen larder?

A: A damp cloth can be used to clean the baskets. Do not use oil or harsh abrasives when cleaning, as this could damage the metal.

For all other issues please contact our Customer Support department via the details on the Contact page.

Safety Advice

Safe Working Practice

Please read through the safe working practice to ensure prevention of injury or damage to the device.

Please do not assemble if any of the pull-out larder system is broken and/or damaged.

Take care when using tools such as a drill.

Wear eye protection when working the drill.

Make sure runners are secure before continuing with assembly.

Be careful of fingers when placing the baskets and using the runners.

The product should only be used indoors, as it could lead to damage if left outside and unprotected.

Check the screws regularly for tightness, and retighten if necessary.

Do not over exceed the shelving capacity, detailed on the Specification page. Note- The capacity is based on the weight distributed across the whole shelf.

Always keep the weight evenly distributed to avoid any damage, and to prevent the baskets from leaning.

Be sure that each basket is properly clipped into place before you begin storing items in the baskets.



Contact Us

Sales Department

For information regarding this device or other products from our Monster divisions please use the following details below.

Tel: 01347 878888

Email: hello@monstershop.co.uk

Support Department

For queries about this device, warranty, returns or reporting faults please use the following details below.

Tel: 01347 878887

Email: help@monstershop.co.uk

Website

To view our product range and fantastic offers in the Monster divisions please visit our website

www.monstershop.co.uk

Address

To visit our office Monster House and view our products, send postal correspondence or return items our address is provided below.

Monster House, Alan Farnaby Way, Sheriff Hutton
Industrial Estate, Sheriff Hutton, York YO60 6PG



Monster Group (UK) is one of the UK's fastest growing online retailers. We supply a diverse range of products which offer exceptional value for money. We strive to provide the best possible customer experience with free UK delivery across all our products and a Monster Guarantee for 100% satisfaction.

Our dedicated customer service team will be more than happy to help with any questions you may have.

Home & Garden
Storage Shelving
Sign & Digital
Retail & Hospitality
Commercial Equipment

Check out all our Monster brands at www.monstershop.co.uk
