



# MINI GARDEN TILLER

23600

INSTRUCTION MANUAL

[www.monstershop.co.uk](http://www.monstershop.co.uk)

# CONTENTS

## ENGLISH

PRODUCT DESCRIPTION	04
PRODUCT SPECIFICS	04
ITEM CONTENTS	04
PRODUCT FEATURES	05
SAFE WORKING PRACTICE	06-07
ASSEMBLY INSTRUCTIONS	08-11
OPERATING INSTRUCTIONS	12-13
MAINTENANCE	14
TROUBLESHOOTING	15

## FRANÇAIS

DESCRIPTION DU PRODUIT	16
SPÉCIFICATIONS DU PRODUIT	16
CONTENU DE L'ARTICLE	16
CARACTÉRISTIQUES DU PRODUIT	17
BONNES PRATIQUES DE TRAVAIL	18-19
INSTRUCTIONS DE MONTAGE	20-23
INSTRUCTIONS D'UTILISATION	24-25
ENTRETIEN	26
DÉPANNAGE	27

## DEUTSCHE

PRODUKTBESCHREIBUNG	28
PRODUKTSPEZIFIKATIONEN	28
LIEFERUMFANG	28
PRODUKTMERKMALE	29
SICHERE ARBEITSPRAXIS	30-31
MONTAGEANLEITUNGEN	32-35
BETRIEBSANWEISUNGEN	36-37
INSTANDHALTUNG	38
FEHLERBEHEBUNG	39

# CONTENTS

## ESPAÑOL

DESCRIPCIÓN DEL PRODUCTO	40
ESPECIFICACIONES DEL PRODUCTO	40
CONTENIDO DEL ARTÍCULO	40
CARACTERÍSTICAS DEL PRODUCTO	41
PRÁCTICAS DE TRABAJO SEGURAS	42-43
INSTRUCCIONES DE MONTAJE	44-47
INSTRUCCIONES PARA EL FUNCIONAMIENTO	48-49
MANTENIMIENTO	50
SOLUCIÓN DE PROBLEMAS	51

## ITALIANO

DESCRIZIONE DEL PRODOTTO	52
SPECIFICHE DEL PRODOTTO	52
CONTENUTO DELL'PRODOTTO	52
CARATTERISTICHE DEL PRODOTTO	53
PRATICA DI LAVORO SICURA	54-55
ISTRUZIONI DI MONTAGGIO	56-59
ISTRUZIONI OPERATIVE	60-61
MANUTENZIONE	62
RISOLUZIONE DEI PROBLEMI	63

## NEDERLANDS

PRODUCT OMSCHRIJVING	64
PRODUCT SPECIFICATIES	64
INBEGREPEN ONDERDELEN	64
PRODUCTEIGENSCHAPPEN	65
VEILIGHEIDSMATREGELEN	66-67
INSTRUCTIES VOOR MONTAGE	68-71
GEbruIKSAANWIJZINGEN	72-73
ONDERHOUD	74
HULP	75

CONTACT US	76
------------	----



# SPECIFICATION

## PRODUCT DESCRIPTION

Ideal for DIY enthusiasts and professional landscapers, this tiller features 4 tines each with 4 teeth, and a high powered engine. The tines can reach 15cm into the soil, ideal for maintaining lawns, borders and vegetable plots.

Equipped with a 52cc petrol engine, a 1.2L tank capacity and combined with a 2 stroke oil mix means your Mini Tiller can be easily operated. The perfect tool for cultivating small to medium sized vegetable gardens and allotment plots. You will also receive FREE safety wear including: eye and ear protection and gloves.

**Please Note:** The Mini Tiller is designed to be used by a competent adult. The Tiller is designed to only be used on soft ground. Please keep away from any flames during the use of your Mini Tiller. Personal Protective Equipment (PPE) must be worn by the operator of this equipment.

Please refer to and read the Safe Working Practice to ensure prevention of injury or damage to the device before starting.

## PRODUCT SPECIFICS

**POWER:** 1.65kw  
**FUEL:** 2 Stroke Oil Mix - 40/1  
**WEIGHT:** 17kg  
**DIMENSIONS:** (L)90 x (W)54 x (H)98cm  
**ENGINE:** 52cc  
**TANK SIZE:** 1.2L

## ITEM CONTENTS

- |                     |                           |
|---------------------|---------------------------|
| 1 x Engine          | 4 x Nut                   |
| 1 x Right handle    | 1 x Multi-tool            |
| 1 x Left handle     | 1 x Spanner               |
| 1 x Middle handle   | 1 x Screwdriver           |
| 1 x Connecting rod  | 2 x Allen Key             |
| 4 x Screw           | 3 x Cable Tie             |
| 4 x Handle Fastener | 1 x Fuel mixing container |

# SPECIFICATION

## PRODUCT FEATURES

- A. Start/Stop Switch
- B. Throttle Lever
- C. Lower Handle Frame
- D. Recoil Starter
- E. Fuel Tank
- F. Tine
- G. Handle
- H. Wheel Adjustment Plate
- I. Wheel
- J. Cotter Pin



Monster Group UK Limited's liability will be limited to the commercial value of the product only.

# SAFETY ADVICE

## SAFE WORKING PRACTICE

Please read through the safe working practice to ensure prevention of injury or damage to the device.

Make sure you are wearing sturdy footwear, heavy duty gloves, eye and ear protection. Loose clothing, long hair and jewellery need to be tucked away as they could be caught in moving parts and cause injury.

Do not operate the tiller if you are tired, ill or under the influence of alcohol or drugs.

Petrol is very flammable. Do not use or fuel the tiller anywhere near a flame, sparks or while smoking. Allow the engine to cool before re-fuelling.

Ensure caution when handling fuel. We recommend you fuel the machine at least 3m away from your work area in case any spilt fuel ignites when starting the engine.

Fuel the machine only once you are happy the machine has been completely assembled

Check that you have filled the tank with the correct petrol/oil mix. Never attempt to run this engine using anything other than unleaded petrol.

Carefully inspect the area to be tilled, remove all debris and remove hard or sharp objects such as glass, wire and large stones.

Be aware of the risk of injury to yourself and possible bystanders. Any bystanders, children or pets should be at least 15 meters away as stones and other objects may be thrown up and cause injury.

Inspect the tiller, and in particular the tines, before and after use, for any worn or damaged parts or loose nuts and bolts. Do not use until the parts are re-tightened, repaired or replaced.

Always carry the tiller when the engine has stopped, and never walk away and leave the engine running.

Never lay the hot tiller down on dry grass or any combustible material where there is a risk of fire from the hot engine.

Only use the tiller in good light and visibility. Do not use on frozen ground.

Always shut off the engine before setting it down.

# SAFETY ADVICE

## SAFE WORKING PRACTICE

Unscrew the fuel cap, and fuel the machine to 80% capacity. Fasten the fuel cap tightly avoiding any cross threading and wipe up any spillages. Make sure the tiller is in a horizontal position when fuelling.

If the tiller is not going to be used for long periods, drain the mixture from the fuel tank, start the engine and drain the carburettor of any remaining fuel.

Please take care on slippery/wet ground.

If the tines become locked, please stop the engine. Clean off the debris and start again.

Use only outdoors. The Mini Tiller needs ventilation – the emissions contain carbon monoxide.

Do not overwork the machine.

Maintain proper control of the machine at all times, distractions may cause damage to the machine and/or injury to the user.

Do not transport the machine when it is on.

Never touch the tines when the engine is running, or when accelerating.

Engine should be turned off, cool, and spark plug wire must be removed from spark plug before any repairs are attempted.

Do not pour water on the electrical housing or near the vents.

Avoid getting soil into eyes - wash immediately with plenty of water and seek medical attention.

Keep the Mini Tiller clean to prolong working life.

After turning off the machine, keep your hands away from the tines as they still might be turning after switching off the machine.

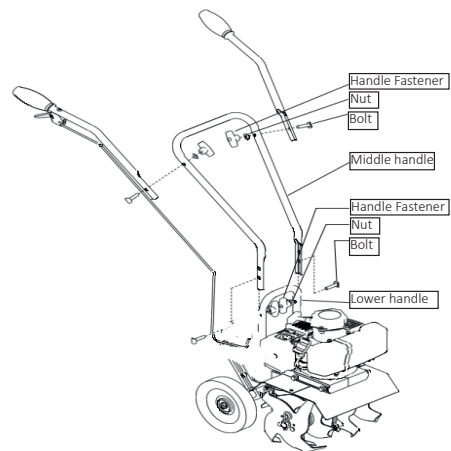
Engine should be turned off and cool before you touch any parts of the Tiller. Parts of the Tiller get extremely hot during operation, and they remain hot for a short time after the unit is turned off.

# USER GUIDE

## ASSEMBLY INSTRUCTIONS

### ASSEMBLING THE HANDLES

1. The handles and middle handle need to be secured in place before the unit can be used.
2. Place the middle handle onto the lower handle frame so that it bends in the direction of the user. Ensure that the holes in the bars of both handle frames are in alignment. Using two screws, two handle fasteners and two nuts, fix the handles together. The handle fasteners can be positioned on the inside or outside of the handles.
3. Attach the left and right handles to the middle handle frame with the remaining two nuts, two screws and two handle fasteners.
4. The connecting rod acts as an additional support to the handle frame. Insert each threaded end of the connecting rod through the corresponding holes in the left and right handles. If fitting the connecting rod is difficult, loosen one of the handle fasteners on the handles.
5. Cap the threaded ends of the connecting rod with the nuts supplied. Ensure everything is securely tightened.
6. Use the cable ties to fasten the cable container to the middle handle frame and the right handle. Make sure the cable container follows the curve of the handle, and that there is no overhang. Do not place tension on the cable.





# USER GUIDE

## ASSEMBLY INSTRUCTIONS

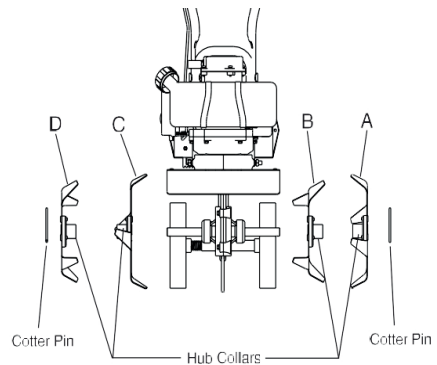
### TINE REMOVAL AND INSTALLATION

#### TO REMOVE TINES:

1. Remove the cotter pins from each end of the tine shaft.
2. Slide the four tines off the shaft.

#### TO INSTALL TINES:

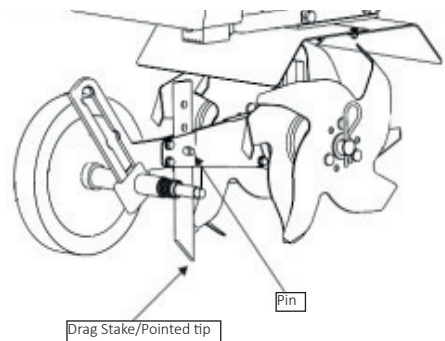
1. First slide the inside tines onto each end of the tine shaft. One inside tine should be stamped with a 'B', and the other will be stamped with a 'C'.
2. Slide the outside tines 'A' and 'D' onto each end of the shaft. Make sure that the hub collars on both the left and right pairs of tines face each other, so that there is adequate spacing between the tine blades.
3. Insert the cotter pins into the holes at each end of the tine shaft to lock the tines into place.



### ADJUSTING THE DRAG STAKE

The drag stake is used to regulate the depth of the turning tiller tines. It also serves as a brake, slowing the tiller's forward motion, enabling the blades to penetrate the soil.

1. Pull the pin out of the drag stake hole.
2. Position the drag stake so the pointed tip is directed downward.
3. Insert the pin into the hole that will achieve the desired depth.



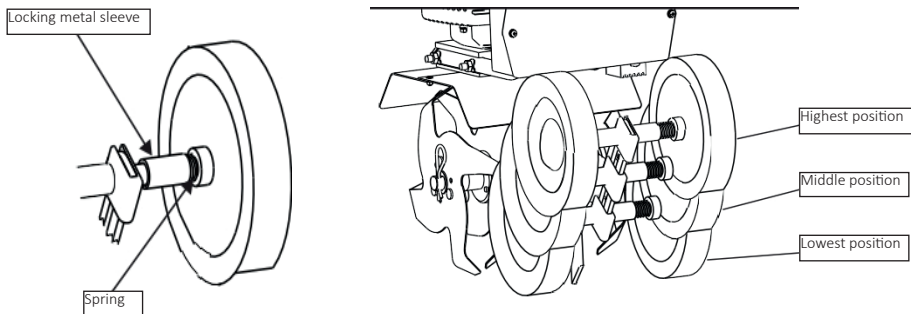
# USER GUIDE

## ASSEMBLY INSTRUCTIONS

### ASSEMBLING THE WHEELS

The wheels on the Mini Tiller can be adjusted to one of three positions. The lowest wheel position is used to transport the Mini Tiller when the engine is not running. The two higher positions are used when cultivating the soil and help to stabilise the unit when cultivating at different depths.

1. Pull the locking metal sleeve against the spring until the wheel releases from one of the three grooves.
2. Slide the wheel set up or down to the desired position, and release the locking metal sleeve until it locks into one of the three grooves.



# USER GUIDE

## ASSEMBLY INSTRUCTIONS

### FIRST FUELLING

The engine will need to be fuelled after assembly and before being operated.

1. Using a fuel mixing container, combine 40:1 - Unleaded Petrol:2 Stroke Lubricating Oil.
2. The fuel mixing container will have level indicators to allow for accurate mixing. Shake the fuel mixing container to combine. It will now be referred to as a 2 Stroke Oil Mix. Fuel must be mixed in a container in a well ventilated area.
3. Open the fuel tank cap. Using a fuel funnel, pour the 2 Stroke Oil Mix into the fuel tank. Once filled to 80% or the indicated level, place the fuel tank cap back on and tighten. Ensure there is also 30-50ml of oil in your gearbox. For instructions on how to do this, see Maintenance Instructions.

# USER GUIDE

## OPERATING INSTRUCTIONS

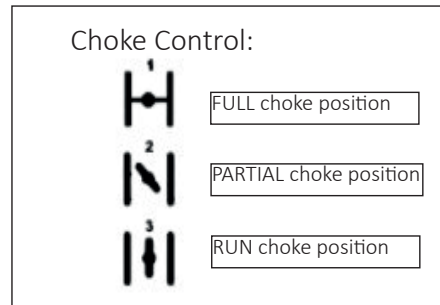
Move the Mini Tiller to the work area prior to starting the engine.

### FROM COLD:

1. Set the Start/Stop switch to START.
2. Set the choke lever (on the left hand side of the engine) to the cold start position (position 1 - refer to the opposite page).
3. Press the primer bulb until you see the fuel flow through the transparent hose from the fuel tank to the carburettor.
4. Pull the recoil starter to start the engine. The engine should start after a few pulls.
5. Allow the engine to run for a few seconds and then move the choke lever back towards the run position (position 2). Allow the engine to run for a few seconds and then move the choke lever to the run position (position 3).
6. Squeeze the throttle lever and hold the handle grips firmly as you slowly lower the tiller and the tines make contact with the ground.
7. To stop, release the throttle and turn the start/stop switch to STOP.

### FROM HOT:

1. Follow the exact process as from cold, except keep the choke in the run position (position 3).
2. With the engine running and the tines off the ground, pull up the throttle lever to increase the engine speed.



# USER GUIDE

## OPERATING INSTRUCTIONS

### USING THE MINI GARDEN TILLER

Move the Tiller to the work area before starting the engine. Transport it by pushing on the wheels and not the tines.

1. With the wheels in the correct position, the engine running and the tines off the ground, gradually increase the engine speed by pulling up the throttle lever.
2. Holding the handlebars firmly, slowly lower the tiller onto the soil. As the tines rotate, tilt the tiller forwards so that the tines can penetrate the soil. Once the ground has been broken, continue at a moderate pace.
3. You can pull the tiller backwards to improve the depth of cultivation.

By manipulating the handle bars, the operator can control the depth and speed of the tiller:

- Pushing down on the handles will allow the drag bar to penetrate the soil and slow the forward motion of the tiller.
- Easing up on the handles and moving the tiller gently from side to side will help to release any tines that are dug in too deeply.
- When turning, push down on the handles to bring the tiller's weight to the rear; this will make turning easier.

After an initial trial of your tiller, you may find you need to adjust the depth of the drag stake and the height of the wheels. Instructions for the adjustment of these elements can be found on the previous pages.

# USER GUIDE

## MAINTENANCE

Periodical maintenance is required on the Spark Plug to make sure the Mini Garden Tiller starts correctly. This should also be done before the first use after winter storage, along with a fresh fuel mix.

### SPARK PLUG

1. The correct air gap should be 0.5mm.
2. Stop the engine and allow it to cool. Using the multi-tool remove the spark plug.
3. Clean any dirt from around the spark plug. Do not let any dirt enter the cylinder. Re-gap the spark plug using a Feeler Gauge, replace and tighten.

### AIR FILTER

1. Remove the air filter cover by loosening the socket head cap screws.
2. Remove the sponge air filter from inside and wash it in detergent and water. Rinse thoroughly and make sure it is completely dry.
3. Apply oil to the filter and replace it and the air filter cover. Remember to secure the socket head cap screws.

### BODY MAINTENANCE

1. After the first use, check that no screws are loose.
2. After the first use and 20 hours of use lubricate the gear box. To do this, simply unscrew one of the small screws on the gearbox and, using a small funnel or dropper, fill with 30 - 50ml of lubricating oil.

# TROUBLESHOOTING

## RESOLUTION GUIDE

### WHAT DO I DO IF THERE ARE MISSING PARTS FROM MY ORDER?

If there appears to be any part missing from your order, contact our friendly and helpful Customer Support Team within 7 days of receipt.

### MY MINI GARDEN TILLER WILL NOT START.

Check that the fuel tank has the correct type and amount of fuel in it. Then carry out the Spark Plug maintenance listed under Maintenance Instructions to see if this solves the problem. If the issue continues, call or email our Support Team.

### I DO NOT THINK MY MINI GARDEN TILLER IS RUNNING CORRECTLY.

Call or email our Support Team, details on the Contact Us page and our friendly and helpful team will listen to any problem and find a resolution.

### THE TINES ARE STILL SLOWLY OPERATING AFTER THE THROTTLE HAS BEEN RELEASED.

There may be tension on the throttle cable, move the throttle cable down the handle towards the engine to release tension. However, the engine might be overfilled. This can simply be fixed by turning the carburettor screw anti-clockwise until the engine revs drop and the tines stop.

**FOR ALL OTHER ISSUES, PLEASE CONTACT OUR  
CUSTOMER SUPPORT TEAM.**

# SPÉCIFICATIONS

## DESCRIPTION DU PRODUIT

Idéal pour les amateurs de bricolage et les paysagistes professionnels, ce motoculteur est doté de 4 dents à 4 lames chacune et d'un moteur de haute puissance. Les dents peuvent atteindre 15 cm dans le sol, idéal pour l'entretien des pelouses, des bordures et des parcelles de légumes.

Équipé d'un moteur à essence de 52cc, d'un réservoir d'une capacité de 1,2 L et combiné à un mélange d'huile à 2 temps, votre mini-motoculteur peut être facilement utilisé. L'outil idéal pour cultiver des potagers et des parcelles en lotissements de taille petite à moyenne. Vous recevrez également des vêtements de sécurité GRATUITS, notamment des gants et une protection des yeux et des oreilles.

**Remarque:** le mini-motoculteur est conçu pour être utilisé par un adulte compétent. Le motoculteur est conçu pour être utilisé uniquement sur un sol mou. Veuillez vous tenir à l'écart des flammes lors de l'utilisation de votre mini-motoculteur. L'équipement de protection individuelle (EPI) doit être porté par l'utilisateur de cet équipement.

Veuillez consulter et lire les consignes de sécurité, Pratiques de travail sécuritaires, afin de prévenir tout risque de blessure ou de détérioration du périphérique.

## SPÉCIFICATIONS DU PRODUIT

PUISSANCE:	1.65kw
CARBURANT:	Mélange d'huile 2 temps - 40/1
POIDS:	17kg
DIMENSIONS:	(L)90 x (W)54 x (H)98cm
MOTEUR:	52cc
CAPACITÉ DU RÉSERVOIR:	1.2L

## CONTENU DE L'ARTICLE

1 Moteur	4 Écrous
1 Poignée droite	1 Outil multifonction
1 Poignée gauche	1 Clé
1 Poignée moyenne	1 Tournevis
1 Bielle	2 Clés Allen
4 Vis	3 Attaches-câbles
4 Poignées de fixation	1 Réservoir de mélange de carburant



# SPÉCIFICATIONS

## CARACTÉRISTIQUES DU PRODUIT

- A. Interrupteur marche / arrêt
- B. Levier d'accélérateur
- C. Cadre de poignée inférieur
- D. Démarreur à rappel
- E. Réservoir de carburant

- F. Dents
- G. Poignée
- H. Plaque de réglage de roue
- I. Roue
- J. Goupille



La responsabilité de Monster Group UK Limited sera limitée à la valeur commerciale du produit.

# CONSEILS DE SECURITÉ

## BONNES PRATIQUES DE TRAVAIL

Veillez lire attentivement les consignes de sécurité afin d'éviter tout risque de blessure ou de détérioration du périphérique.

Assurez-vous que vous portez des chaussures robustes, des gants de protection, des protections des yeux et des oreilles. Les vêtements amples, les cheveux longs et les bijoux doivent être rangés car ils pourraient se coincer dans les pièces en mouvement et causer des blessures.

N'utilisez pas le motoculteur si vous êtes fatigué, malade ou sous l'influence d'alcool ou de médicaments.

L'essence est très inflammable. Ne pas utiliser ou alimenter le motoculteur à proximité d'une flamme, d'étincelles ou en fumant. Laissez le moteur refroidir avant de faire le plein.

Soyez prudent lorsque vous manipulez du carburant. Nous vous recommandons de ravitailler la machine à au moins 3 m de votre zone de travail au cas où du carburant renversé s'enflammerait au démarrage du moteur.

Alimentez la machine uniquement lorsque vous êtes satisfait de son assemblage complet.

Vérifiez que vous avez rempli les réservoirs avec l'essence et l'huile appropriées. N'essayez jamais de faire fonctionner ce moteur en utilisant autre chose que de l'essence sans plomb.

Inspectez soigneusement la zone à labourer, enlevez tous les débris et enlevez les objets durs ou coupants tels que le verre, le fil de fer et les grosses pierres.

Soyez conscient du risque de blessure pour vous-même et pour d'éventuels passants. Tous les passants, les enfants ou les animaux domestiques doivent se trouver à plus de 15m afin d'éviter toute pierre ou autres objets risquant d'être projetés et de les blesser.

Inspectez le motoculteur, et en particulier les dents, avant et après utilisation, afin de vous assurer de l'absence de pièces usées ou endommagées ou d'écrous et de boulons desserrés. Ne pas utiliser avant que les pièces soient resserrées, réparées ou remplacées.

Lors du démarrage de la machine, mettez le levier sélecteur au point mort. Ne vous éloignez pas et laissez le moteur en marche.

Ne posez jamais le motoculteur encore chaud sur de l'herbe sèche ou sur un matériau combustible dans lequel le moteur risque de prendre feu. Eteignez toujours le moteur avant de le poser.

# CONSEILS DE SECURITÉ

## BONNES PRATIQUES DE TRAVAIL

N'utilisez le motoculteur que sous un bon éclairage et une bonne visibilité. Ne l'utilisez pas sur un sol gelé.

Toujours éteindre le moteur avant de poser l'appareil.

Dévissez le bouchon du réservoir et alimentez la machine à 80% de sa capacité. Serrez bien le bouchon du réservoir de carburant en évitant tout filetage en travers et essayez tout déversement. Assurez-vous que le motoculteur est en position horizontale lors du ravitaillement.

Si l'usage du motoculteur n'est pas prévu durant une longue période, videz le mélange du réservoir de carburant, démarrez le moteur et vidangez le carburateur du carburant restant.

Faites attention sur un sol glissant ou humide.

Si les dents se verrouillent, arrêtez le moteur, nettoyez les débris et redémarrez.

Utilisez uniquement à l'extérieur. Le motoculteur a besoin de ventilation car les émissions contiennent du monoxyde de carbone.

Ne surchargez pas la machine.

Conservez un contrôle correct de la machine à tout moment, les distractions pouvant l'endommager et / ou blesser l'utilisateur.

Ne transportez pas la machine lorsqu'elle est en marche.

Ne touchez jamais les dents lorsque le moteur est en marche ou en train d'accélérer.

Le moteur doit être éteint, refroidi et le fil de bougie d'allumage doit être débranché avant toute tentative de réparation.

Ne versez pas d'eau sur le boîtier électrique ou à proximité des trous de ventilation.

Éviter que la terre ne pénètre dans les yeux - laver immédiatement et abondamment à l'eau et consulter un médecin.

Gardez le mini-motoculteur propre pour prolonger sa durée de vie.

Après avoir éteint la machine, gardez vos mains éloignées des dents car elles pourraient encore tourner après avoir éteint la machine.

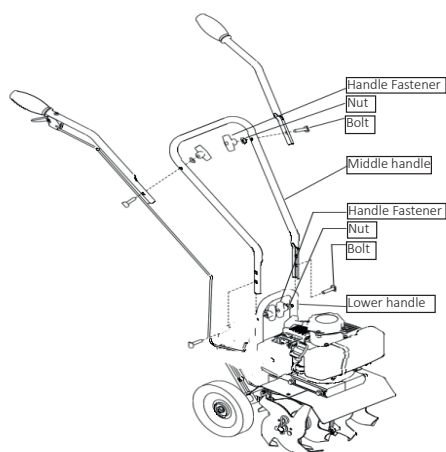
Le moteur doit être éteint et refroidi avant de toucher les pièces de la barre. Certaines parties du motoculteur deviennent extrêmement chaudes pendant le fonctionnement et restent chaudes pendant un court instant après la mise hors tension.

# GUIDE D'UTILISATION

## INSTRUCTIONS DE MONTAGE

### ASSEMBLAGE DES POIGNÉES

1. Les poignées et la poignée centrale doivent être correctement fixées avant de pouvoir utiliser l'appareil.
2. Placez la poignée centrale sur le cadre inférieur de la poignée afin qu'elle se plie dans la direction de l'utilisateur. Assurez-vous que les trous dans les barres des deux cadres de la poignée soient alignés. À l'aide de deux vis, de deux attaches-poignée et de deux écrous, fixez les poignées ensemble. Les attaches-poignée peuvent être positionnées à l'intérieur ou à l'extérieur des poignées.
3. Fixez les poignées gauche et droite au cadre de la poignée du milieu avec les deux écrous restants, deux vis et deux attaches-poignée.
4. La bielle sert de support supplémentaire au cadre de la poignée. Insérez chaque extrémité fileté de la bielle dans les trous correspondants des poignées gauche et droite. Si le montage de la bielle est difficile, desserrez l'un des attaches-poignée sur les poignées.
5. Capsuler les extrémités filetées de la bielle avec les écrous fournis. Assurez-vous que le tout est bien ajusté.
6. Utilisez les attaches-câble pour fixer le conteneur de câble au cadre de poignée central et à la poignée droite. Assurez-vous que le conteneur de câbles suit la courbe de la poignée et qu'il n'y ait pas de porte-à-faux. N'appliquez pas de tension sur le câble.



# GUIDE D'UTILISATION

## INSTRUCTIONS DE MONTAGE

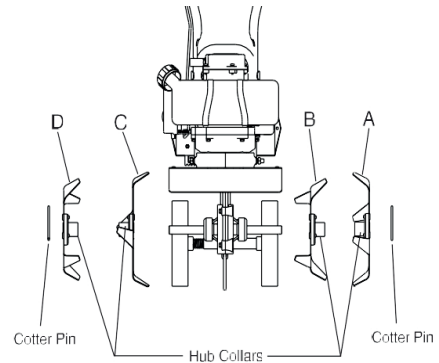
### RETRAIT ET INSTALLATION DES DENTS

#### POUR RETIRER LES DENTS:

1. Retirez les goupilles fendues de chaque extrémité de l'arbre à dents.
2. Faites glisser les quatre dents de l'arbre.

#### POUR INSTALLER DES DENTS:

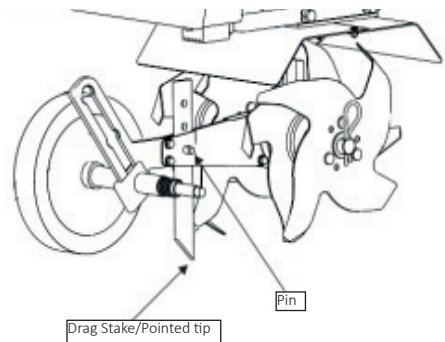
1. Commencez par faire glisser les dents intérieures sur chaque extrémité de l'arbre à dents. L'une des dents à l'intérieur doit être estampillée d'un «B», et l'autre d'un «C».
2. Faites glisser les dents extérieures «A» et «D» sur chaque extrémité de la tige. Assurez-vous que les colliers de moyeu des deux paires de dents gauche et droite se font face, de manière à assurer un espacement adéquat entre les lames de dents.
3. Insérez les goupilles fendues dans les trous situés à chaque extrémité de l'arbre à dents pour verrouiller les dents en place.



### RÉGLAGE DE LA BARRE DE REMORQUAGE

La barre de remorquage permet de régler la profondeur des dents. Il sert également de frein, ralentissant le mouvement du motoculteur vers l'avant, permettant ainsi aux lames de pénétrer dans le sol.

1. Tirez la goupille hors du trou de la barre de remorquage.
2. Placez la barre de remorquage de sorte que la pointe soit dirigée vers le bas.
3. Insérez la goupille dans le trou qui atteindra la profondeur souhaitée.



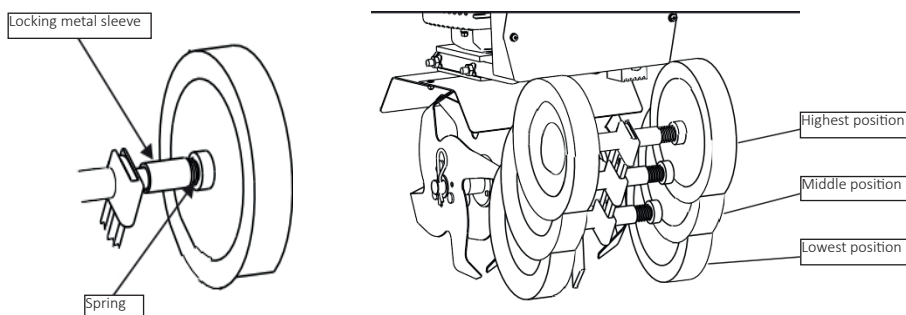
# GUIDE D'UTILISATION

## INSTRUCTIONS DE MONTAGE

### RÉGLAGE DES ROUES

Les roues du mini-motoculteur peuvent être réglées sur trois positions. La position de roue la plus basse est utilisée pour transporter le mini-motoculteur lorsque le moteur ne tourne pas. Les deux positions les plus élevées sont utilisées lors de la culture du sol et aident à stabiliser l'unité lors de la culture à des profondeurs différentes.

1. Tirez le manchon de verrouillage métallique contre le ressort jusqu'à ce que la roue se libère de l'une des trois rainures.
2. Faites glisser la roue dans la position désirée et libérez le manchon de verrouillage métallique jusqu'à ce qu'il se verrouille dans l'une des trois rainures.



# GUIDE D'UTILISATION

## INSTRUCTIONS DE MONTAGE

### PREMIER RAVITAILLEMENT

Le moteur devra être ravitaillé après l'assemblage et avant d'être utilisé.

1. À l'aide d'un bidon, mélanger 40: 1 - Essence sans plomb: huile lubrifiante à 2 temps.
2. Le réservoir de mélange de carburant aura des indicateurs de niveau pour permettre un mélange précis. Agitez le récipient de mélange de carburant pour homogénéiser. On parlera maintenant de mélange d'huile à 2 temps. Le carburant doit être mélangé dans un récipient dans un endroit bien ventilé.
3. Ouvrez le bouchon du réservoir de carburant. À l'aide d'un entonnoir à carburant, versez le mélange d'huile à 2-temps dans le réservoir. Une fois rempli à 80% ou au niveau indiqué, remplacez le bouchon du réservoir de carburant et serrez-le. Assurez-vous qu'il y ait également 30 à 50 ml d'huile dans votre boîte de vitesses. Pour obtenir des instructions sur cette opération, voir Instructions d'entretien.

# GUIDE D'UTILISATION

## INSTRUCTIONS D'UTILISATION

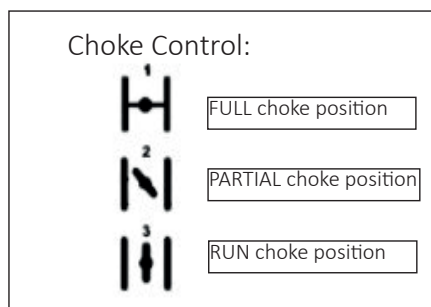
Déplacez le mini-motoculteur sur la zone de travail avant de démarrer le moteur.

### À FROID:

1. Réglez le commutateur Start / Stop sur START.
2. Réglez le levier de starter (sur le côté gauche du moteur) en position de démarrage à froid (position 1 - reportez-vous à la page ci-contre).
3. Appuyez sur la poire d'amorçage jusqu'à ce que vous voyiez le carburant couler à travers le tuyau transparent du réservoir de carburant au carburateur.
4. Tirez sur le lanceur à rappel pour démarrer le moteur. Le moteur devrait démarrer après quelques tractions.
5. Laissez le moteur tourner pendant quelques secondes, puis déplacez le levier de starter vers la position de marche (position 2). Laissez le moteur tourner pendant quelques secondes, puis déplacez le levier de starter en position de marche (position 3).
6. Appuyez sur la manette des gaz et tenez fermement les poignées pendant que vous abaissez lentement la barre et les dents entrent en contact avec le sol.
7. Pour arrêter, relâchez l'accélérateur et tournez le commutateur Start / Stop sur STOP.

### À CHAUD:

1. Suivez le processus exact à partir du froid, sauf qu'il vous faut garder l'étrangleur en position de marche (position 3).
2. Avec le moteur en marche et les dents hors du sol, relevez le levier d'accélérateur pour augmenter la vitesse du moteur.





# GUIDE D'UTILISATION

## INSTRUCTIONS D'UTILISATION

### UTILISATION DU MINI-MOTOCULTEUR DE JARDIN

Déplacez le motoculteur sur la zone de travail avant de démarrer le moteur. Transportez-le en poussant sur les roues et non sur les dents.

1. Avec les roues dans la position correcte, le moteur en marche et les dents hors du sol, augmentez progressivement la vitesse du moteur en levant le levier d'accélérateur.
2. En tenant fermement le guidon, abaissez lentement le motoculteur au sol. Lorsque les dents tournent, inclinez le motoculteur vers l'avant afin que les dents puissent pénétrer dans le sol. Une fois que le sol a été pénétré, continuez à un rythme modéré.
3. Vous pouvez tirer le motoculteur vers l'arrière pour améliorer la profondeur de culture.

En manipulant les poignées, l'opérateur peut contrôler la profondeur et la vitesse du motoculteur:

- En appuyant sur les poignées, la barre de remorquage pénétrera dans le sol et ralentira le mouvement vers l'avant du motoculteur.
- Relâcher les poignées et déplacer la barre d'un côté à l'autre aidera à libérer les dents trop profondément enfoncées.
- Lorsque vous tournez, appuyez sur les poignées pour amener le poids de la barre à l'arrière; cela facilitera les virages.

Après un premier essai de votre motoculteur, vous devrez peut-être régler la profondeur de la barre de remorquage et la hauteur des roues. Vous trouverez des instructions pour le réglage de ces éléments aux pages précédentes.

# GUIDE D'UTILISATION

## ENTRETIEN

Un entretien périodique de la bougie d'allumage est nécessaire pour assurer un démarrage correct du mini-motoculteur. Cela devrait également être effectué avant la première utilisation après l'entreposage hivernal, avec un nouveau ravitaillement en carburant.

### BOUGIE D'ALLUMAGE

1. L'espace d'air correct doit être de 0,5 mm.
2. Arrêtez le moteur et laissez-le refroidir. À l'aide d'un outil multiple, retirez la bougie.
3. Nettoyez toute poussière autour de la bougie. Ne laissez pas de poussière pénétrer dans le cylindre. Resserrer la bougie à l'aide d'une jauge d'épaisseur, remplacer et serrer.

### FILTRE À AIR

1. Retirez le couvercle du filtre à air en desserrant les vis à tête cylindrique.
2. Retirez le filtre à air en éponge de l'intérieur et nettoyez-le à l'eau et au détergent. Rincez soigneusement et assurez-vous qu'il est complètement sec.
3. Appliquez de l'huile sur le filtre et remplacez-le ainsi que le couvercle du filtre à air en place. N'oubliez pas de sécuriser les vis à tête cylindrique.

### ENTRETIEN DE L'APPAREIL

1. Après la première utilisation, vérifiez qu'aucune vis n'est desserrée.
2. Après la première utilisation et après 20 heures d'utilisation, lubrifiez le réducteur. Pour faire cela, il suffit de dévisser l'une des petites vis de la boîte de vitesses et de remplir avec 30 à 50 ml d'huile de graissage à l'aide d'un petit entonnoir ou d'un compte-gouttes.

# DÉPANNAGE

## GUIDE DE RÉOLUTION

### QUE FAIRE S'IL Y A UNE PARTIE DE MA COMMANDE QUI MANQUE?

Au cas où il y aurait des pièces manquantes dans votre commande, contactez notre aimable équipe d'assistance clientèle dans les 7 jours suivant sa réception.

### MON MINI-MOTOCULTEUR NE DÉMARRE PAS.

Vérifiez que le type et la quantité de carburant dans le réservoir de carburant soient corrects. Ensuite effectuer la maintenance de la bougie d'allumage répertoriée sous Instruction d'entretien pour voir si cela résout le problème. Si le problème persiste, appelez ou envoyez un e-mail à notre équipe d'assistance via les détails sur la page de contact.

### JE PENSE QUE MON MINI-MOTOCULTEUR NE FONCTIONNE PAS CORRECTEMENT.

Appelez ou envoyez un e-mail à notre équipe d'assistance, consultez la page Contactez-nous et notre équipe sera à votre service et à l'écoute de tous les problèmes et trouvera une solution.

### LES DENTS FONCTIONNENT TOUJOURS LENTEMENT APRÈS L'ACTIONNEMENT DE L'ACCÉLÉRATEUR.

Il peut y avoir une tension sur le câble d'accélérateur; déplacez le câble d'accélérateur le long de la poignée vers le moteur pour relâcher la tension. Cependant, le moteur est peut-être trop rempli. Pour le réparer, tournez la vis du carburateur dans le sens inverse des aiguilles d'une montre jusqu'à ce que le moteur baisse et que les dents s'arrêtent.

**POUR TOUTE AUTRE PREOCCUPATION, VEUILLEZ  
CONTACTER NOTRE ÉQUIPE DE SERVICE CLIENT.**



# SPEZIFIKATIONEN

## PRODUKTBE SCHREIBUNG

Ideal für DIY-Enthusiasten und professionelle Landschaftsgärtner, diese Gartenfräse hat 4 Zinken mit jeweils 4 Zähnen und einem Hochleistungsmotor. Die Zinken erreichen 15cm in den Boden, ideal für die Pflege von Rasen, Grenzen und Gemüseparzellen.

Ausgestattet mit einem 52cc Benzinmotor, einem 1,2 L Tankinhalt und kombiniert mit einem 2-Takt-Ölmischung lässt sich Ihre Mini-Gartenfräse einfach bedienen. Das perfekte Werkzeug für den Anbau von kleinen bis mittelgroßen Gemüsegärten und zuteilungsflächen. Sie erhalten auch KOSTENLOSE Sicherheitskleidung einschließlich: Augen - und Ohrenschutz und Handschuhe.

**Bitte Beachten Sie:** die Mini-Gartenfräse ist für einen kompetenten Erwachsenen ausgelegt. Die Mini-Gartenfräse soll nur auf weichem Boden verwendet werden. Bitte halten Sie sich bei der Verwendung Ihrer Mini-Gartenfräse von Flammen fern. Persönliche Schutzausrüstung (PSA) muss vom Betreiber dieses Gerätes getragen werden.

Bitte lesen Sie die Sicherheitshinweise und sichere Arbeitspraxis, um Verletzungen oder Schäden am Gerät zu vermeiden, bevor Sie mit der Arbeit beginnen.

## PRODUKTSPEZIFIKATIONEN

**LEISTUNG:** 1.65kw  
**KRAFTSTOFF:** 2-Takt-Ölmischung - 40/1  
**GEWICHT:** 17kg  
**ABMESSUNGEN:** (L)90 x (W)54 x (H)98cm  
**MOTOR:** 52cc  
**TANK GRÖSSE:** 1.2L

## LIEFERUMFANG

- |                    |                           |
|--------------------|---------------------------|
| 1 Motor            | 4 Mutter                  |
| 1 Rechter Griff    | 1 Multifunktionswerkzeug  |
| 1 Linker Griff     | 1 Schraubenschlüssel      |
| 1 Mittlerer Griff  | 1 Schraubendreher         |
| 1 Pleuelstange     | 2 Inbusschlüssel          |
| 4 Schraube         | 3 Kabelbinder             |
| 4 Griffbefestigung | 1 Kraftstoffmischbehälter |

# SPEZIFIKATIONEN

## PRODUKTMERKMALE

- A. Start / Stopp-Schalter
- B. Gashebel
- C. Unterer griffrahmen
- D. Rückstoßstarter
- E. Kraftstofftank

- F. Zinke
- G. Griff
- H. Radeinstellplatte
- I. Rad
- J. Splint



Die Haftung von Monster Group UK Limited ist auf den Handelswert des Produkts beschränkt.

# SICHERHEITSHINWEISE

## SICHERE ARBEITSPRAXIS

Bitte lesen Sie die sichere Arbeitspraxis durch, um Verletzungen oder Schäden am Gerät zu vermeiden.

Stellen Sie sicher, dass Sie robuste Schuhe, schwere Handschuhe, Augen- und Ohrenschutz tragen. Lose Kleidung, lange Haare und Schmuck müssen verstaut werden, da Sie sich in beweglichen teilen verfangen und Verletzungen verursachen können.

Bedienen Sie die Gartenfräse nicht, wenn Sie müde, krank oder unter Alkohol oder Drogeneinfluss sind.

Benzin ist sehr brennbar. Verwenden oder betanken Sie die Gartenfräse nicht in der Nähe von Flammen, Funken oder Rauchen. Lassen Sie den Motor abkühlen, bevor Sie ihn nachfüllen.

Vorsicht beim Umgang mit Kraftstoff. Wir empfehlen, die Maschine mindestens 3 m von Ihrem Arbeitsbereich entfernt zu tanken, falls sich beim Starten des Motors ein verschütteter Kraftstoff entzündet.

Betanken Sie die Maschine erst, wenn Sie zufrieden sind, dass die Maschine vollständig zusammengebaut ist.

Überprüfen Sie, dass Sie den Tank mit dem richtigen Benzin/Öl-mix gefüllt haben. Versuchen Sie nie, diesen Motor mit etwas anderem als bleifreiem Benzin zu betreiben.

Prüfen Sie sorgfältig den zu füllenden Bereich, entfernen Sie alle Trümmer und entfernen Sie harte oder scharfe Gegenstände wie Glas, Draht und große Steine.

Seien Sie sich der Verletzungsgefahr für Sie und mögliche Umstehende bewusst. Umstehende, Kinder oder Haustiere sollten mindestens 15 m entfernt sein, da Steine und andere Gegenstände hochgeschleudert werden und Verletzungen verursachen können.

Überprüfen Sie die Gartenfräse und insbesondere die Zinken vor und nach dem Gebrauch auf abgenutzte oder beschädigte Teile oder lose Schrauben und Muttern. Nicht verwenden, bis die Teile nachgezogen, repariert oder ersetzt wurden.

Tragen Sie die Gartenfräse immer wenn der Motor angehalten hat und lassen Sie den Motor niemals laufen.

Legen Sie die heiße Gartenfräse niemals auf trockenem Gras oder brennbaren Materialien ab, da durch den heißen Motor Feuergefahr besteht.

Verwenden Sie die Fräse nur bei gutem Licht und guter Sicht. Nicht auf gefrorenem Boden verwenden.

# SICHERHEITSHINWEISE

## SICHERE ARBEITSPRAXIS

Stellen Sie den Motor immer ab, bevor Sie ihn absetzen.

Schrauben Sie den Tankdeckel ab und tanken Sie die Maschine auf 80% Kapazität. Befestigen Sie den Tankdeckel fest, vermeiden Sie ein Überkreuzen und wischen Sie verschüttetes Material ab. Stellen Sie sicher, dass sich die Deichsel beim Betanken in horizontaler Position befindet.

Wenn die Gartenfräse nicht für lange Zeit verwendet wird, entleeren Sie die Mischung aus dem Kraftstofftank, starten Sie den Motor und lassen Sie den Vergaser von restlichem Kraftstoff ab.

Bitte achten Sie auf rutschigen / nassen Boden.

Wenn die Zinken blockieren sind, stellen Sie bitte den Motor ab, reinigen Sie den Schmutz und starten Sie ihn erneut.

Nur am draußen verwenden. Die Fräse braucht Ventilation, da die Emissionen Kohlenmonoxid enthalten.

Überarbeiten Sie die Maschine nicht.

Halten Sie die Steuerung der Maschine jederzeit aufrecht, Ablenkungen können Schäden an der Maschine und/oder Verletzungen des Benutzers verursachen.

Transportieren Sie das Gerät nicht, wenn es eingeschaltet ist.

Berühren Sie niemals die Zinken, wenn der Motor läuft oder wenn Sie beschleunigen.

Der Motor muss abgestellt, abgekühlt und das Zündkabel von der Zündkerze entfernt werden, bevor Reparaturen durchgeführt werden.

Gießen Sie kein Wasser auf das elektrische Gehäuse oder in die Nähe der Lüftungsöffnungen.

Augenkontakt mit Schmutz vermeiden - sofort mit viel Wasser abwaschen und Arzt konsultieren.

Halten Sie die Mini-Gartenfräse sauber, um die Lebensdauer zu verlängern.

Halten Sie nach dem ausschalten der Maschine die Hände von den Zinken fern, da Sie sich nach dem ausschalten der Maschine noch drehen können.

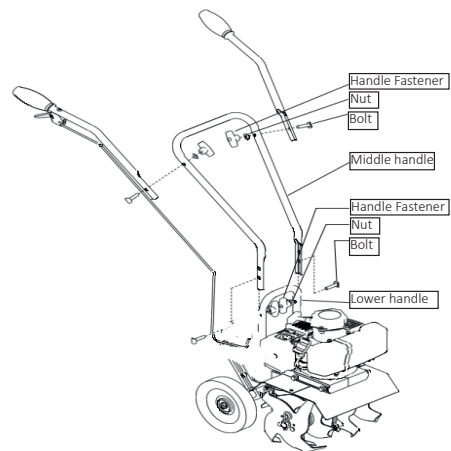
Motor sollte ausgeschaltet und kühl sein, bevor Sie Teile der Gartenfräse berühren. Teile der Gartenfräse werden während des Betriebs extrem heiß und bleiben nach dem ausschalten des Geräts für kurze Zeit heiß.

# BENUTZERHANDBUCH

## MONTAGEANLEITUNG

### MONTAGE DER GRIFFE

1. Die Griffe und der mittlere Griff müssen gesichert werden, bevor das Gerät verwendet werden kann.
2. Legen Sie den mittleren Griff so auf den unteren griffrahmen, dass er sich in Richtung des Benutzers biegt. Stellen Sie sicher, dass die Löcher in den Stäben beider griffrahmen ausgerichtet sind. Befestigen Sie die Griffe mit zwei Schrauben, zwei griffbefestigungen und zwei Muttern. Die griffbefestigungen können innen oder außen an den Griffen angebracht werden.
3. Befestigen Sie die linken und rechten Griffe am mittleren griffrahmen mit den restlichen zwei Muttern, zwei Schrauben und zwei griffbefestigungen.
4. Die Pleuelstange dient als zusätzliche Unterstützung für den griffrahmen. Legen Sie jedes Gewindeende der Pleuelstange durch die entsprechenden Löcher in den linken und rechten Griffen ein. Wenn die Montage der Pleuelstange schwierig ist, lösen Sie eine der griffbefestigungen an den Griffen.
5. Verschließen Sie die Gewindeenden der Pleuelstange mit den mitgelieferten Muttern. Stellen Sie sicher, dass alles fest angezogen ist.
6. Befestigen Sie den Kabelbehälter mit den Kabelbindern am mittleren Griffrahmen und am rechten Griff. Stellen Sie sicher, dass der Kabelbehälter der Kurve des Griffs folgt und kein Überhang vorhanden ist. Üben Sie keine Spannung auf das Kabel aus.





# BENUTZERHANDBUCH

## MONTAGEANLEITUNG

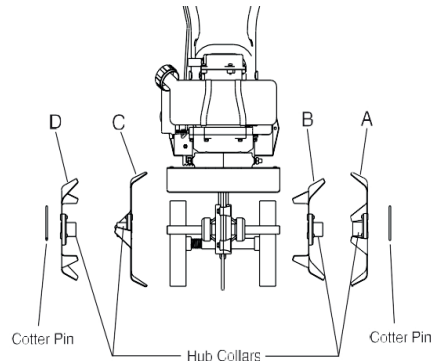
### ZINKEN AUS- UND EINBAUEN

#### ZINKEN ZU ENTFERNEN:

1. Entfernen Sie die Splinte an jedem Ende der Zinkenwelle.
2. Schieben Sie die vier Zinken von der Welle.

#### ZINKEN ZU INSTALLIEREN:

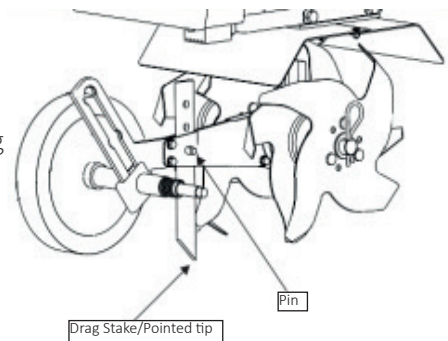
1. Schieben Sie zuerst die inneren Zinken auf jedes Ende der Zinkenwelle. Ein innerer Zinken sollte mit einem „B“ und der andere mit einem „C“ markiert sein.
2. Schieben Sie die äußeren Zinken „A“ und „D“ auf jedes Ende der Welle. Stellen Sie sicher, dass die Nabenringe des linken und des rechten Zinkenpaares einander zugewandt sind, damit zwischen den Zinkenblättern ein ausreichender Abstand besteht.
3. Führen Sie die Splinte in die Löcher an jedem Ende der Zinkenwelle ein, um die Zinken zu fixieren.



### ZIEHSTANGE EINSTELLEN

Der Ziehstange wird verwendet, um die Tiefe der drehzinken zu regulieren. Es dient auch als Bremse und verlangsamt die Vorwärtsbewegung der Gartenfräse, so dass die klingen in den Boden eindringen können.

1. Ziehen Sie den Nadel aus dem Ziehstange.
2. Positionieren Sie den Ziehstange so, dass die Nadel nach unten gerichtet ist.
3. Stecken Sie den Nadel in das Loch, das die gewünschte Tiefe erreicht.



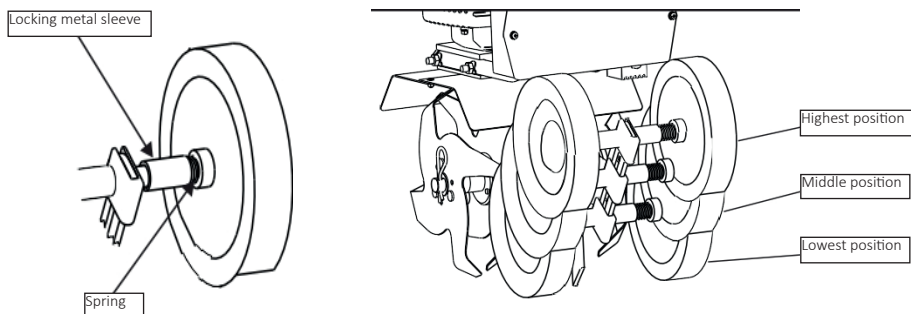
# BENUTZERHANDBUCH

## MONTAGEANLEITUNG

### RÄDER EINSTELLEN

Die Räder auf der Mini- Gartenfräse können auf eine von drei Positionen eingestellt werden. Die niedrigste Radposition wird verwendet, um die Mini- Gartenfräse zu transportieren, wenn der Motor nicht läuft. Die beiden höheren Positionen werden bei der Kultivierung verwendet und helfen, das Gerät in verschiedenen tiefen zu stabilisieren.

1. Ziehen Sie die Metallhülse gegen die Feder, bis sich das Rad aus einer der drei Nuten löst.
2. Schieben Sie den Radsatz nach oben oder unten in die gewünschte Position und lassen Sie die Metallhülse los, bis sie in einer der drei Nuten einrastet.



# BENUTZERHANDBUCH

## MONTAGEANLEITUNG

### ERSTE BETANKUNG

Der Motor muss nach der Montage und vor dem Betrieb betankt werden.

1. Mischen Sie mit einem Kraftstoffmischbehälter 40: 1 - bleifreies Benzin: 2-Takt-Schmieröl.
2. Der Kraftstoffmischbehälter hat Füllstandsanzeigen, um genaues Mischen zu ermöglichen. Schütteln Sie den Kraftstoffmischbehälter, um ihn zu kombinieren. Es wird nun als 2-Takt-Ölmischung bezeichnet. Der Kraftstoff muss in einem Behälter an einem gut belüfteten Ort gemischt werden.
3. Öffnen Sie den Tankdeckel. Füllen Sie die 2-Takt-Ölmischung mit einem Kraftstofftrichter in den Kraftstofftank. Setzen Sie den Tankdeckel wieder auf und ziehen Sie ihn fest, sobald er zu 80% oder bis zu der markierten Position gefüllt ist. Stellen Sie sicher, dass sich auch 30-50 ml Öl in Ihrem Getriebe befinden. Anweisungen dazu finden Sie unter Wartungsanweisungen.

# BENUTZERHANDBUCH

## BETRIEBSANWEISUNGEN

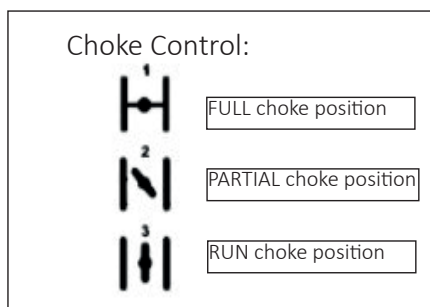
Bewegen Sie die Mini- Gartenfräse vor dem Start des Motors in den Arbeitsbereich.

### VON KÄLTE:

1. Stellen Sie den Start-Stopp-Schalter auf START.
2. Stellen Sie den CHOKEHEBEL (auf der linken Seite des Motors) auf die Kaltstartposition (position 1 - siehe gegenüberliegende Seite).
3. Drücken Sie die Zündbirne, bis Sie den Kraftstoff durch den transparenten Schlauch vom Kraftstofftank zum Vergaser fließen sehen.
4. Ziehen Sie den rückstoßstarter, um den Motor zu starten. Der Motor sollte nach ein paar Zügen starten.
5. Lassen Sie den Motor einige Sekunden laufen und bewegen Sie den Gashebel dann wieder in Richtung Laufposition (position 2). Lassen Sie den Motor für ein paar Sekunden laufen und bewegen Sie den Gashebel in die Laufposition (position 3).
6. Drücken Sie den Gashebel und halten Sie die Handgriffe fest, wie Sie langsam die Mini-Gartenfräse senken und die Zinken in Kontakt mit dem Boden.
7. Lassen Sie zum Stoppen den Gashebel los und drehen Sie den Start / Stopp-Schalter auf STOP.

### VON HOT:

1. Befolgen Sie den genauen Vorgang ab Kälte, außer dass der Choke in der Laufposition (Position 3) bleibt.
2. Ziehen Sie bei laufendem Motor und vom Boden abstehenden Zinken den Gashebel nach oben, um die Motordrehzahl zu erhöhen.



# BENUTZERHANDBUCH

## BETRIEBSANWEISUNGEN

### VERWENDUNG DER MINI-GARTENFRÄSE

Bewegen Sie die Gartenfräse vor dem Start des Motors in den Arbeitsbereich.

Transportieren Sie es durch drücken auf die Räder und nicht die Zinken.

1. Mit den Rädern in der richtigen position, der Motor läuft und die Zinken vom Boden, erhöhen Sie allmählich die Motordrehzahl, indem Sie den Gashebel hochziehen.
2. Halten Sie den Lenker fest und senken Sie die Gartenfräse langsam auf den Boden. Wenn sich die Zinken drehen, kippen Sie die Gartenfräse nach vorne, damit die Zinken in den Boden eindringen können. Sobald der Boden gebrochen ist, fahren Sie mit moderatem Tempo fort.
3. Sie können die Gartenfräse nach hinten ziehen, um die Bearbeitungstiefe zu verbessern.

Durch Manipulation der LENKER kann der Bediener die Tiefe und Geschwindigkeit der Gartenfräse Steuern:

- Durch drücken auf die Griffe kann der schleppbalken in den Boden eindringen und die Vorwärtsbewegung der Gartenfräse verlangsamen.
- Lockerung an den Griffen und bewegen der Gartenfräse sanft von Seite zu Seite wird helfen, alle Zinken, die zu tief gegraben werden zu lösen.
- Beim drehen drücken Sie auf die Griffe, um das Gewicht der Gartenfräse nach hinten zu bringen.

Nach einem ersten Versuch mit Ihrer Gartenfräse müssen Sie möglicherweise die Tiefe des Widerstands und die Höhe der Räder anpassen. Anweisungen zur Einstellung dieser Elemente finden Sie auf den vorherigen Seiten.

# BENUTZERHANDBUCH

## INSTANDHALTUNG

Regelmäßige Wartung ist erforderlich am Zündkerze um sicherzustellen, dass die Mini-Gartenfräse richtig startet. Dies sollte auch vor der ersten Verwendung nach der Winterlagerung zusammen mit einem frischen Kraftstoffmix erfolgen.

### ZÜNDKERZE

1. Der richtige Luftspalt sollte 0,5 mm sein.
2. Stoppen Sie den Motor und lassen Sie ihn abkühlen. Mit dem Multifunktionswerkzeug entfernen Sie die Zündkerze.
3. Reinigen Sie Schmutz von der Zündkerze. Lassen Sie keinen Schmutz in den Zylinder eindringen. Spalten Sie die Zündkerze mit einer Fühlerlehre, ersetzen und festziehen.

### LUFTFILTER

1. Entfernen Sie die Luftfilterabdeckung durch Lösen der Innensechskantschrauben.
2. Entfernen Sie den Schwamm-Luftfilter von innen und waschen Sie ihn in Waschmittel und Wasser. Spülen Sie gründlich und stellen Sie sicher, dass es vollständig trocken ist.
3. Öl auf den Filter auftragen und ersetzen und die Luftfilterabdeckung. Denken Sie daran, die Innensechskantschrauben zu sichern.

### KAROSSERIE INSTANDHALTUNG

1. Überprüfen Sie nach dem ersten Gebrauch, ob keine Schrauben lose sind.
2. Nach dem ersten Gebrauch und 20 Stunden des Gebrauchs schmieren Sie das Getriebe. Schrauben Sie dazu einfach eine der kleinen Schrauben am Getriebe ab und füllen Sie mit einem kleinen Trichter oder Tropfer 30 - 50ml Schmieröl.

# FEHLERBEHEBUNG

## ANLEITUNG ZUR PROBLEMLÖSUNG

### WAS MACHE ICH, WENN IN MEINER BESTELLUNG TEILE FEHLEN?

Wenn in Ihrer Bestellung ein Teil fehlt, wenden Sie sich innerhalb von 7 Tagen nach Erhalt an unser freundliches und hilfsbereites Kundendienstteam.

### MEINE MINI-GARTENFRÄSE WIRD NICHT STARTEN.

Überprüfen Sie, ob der Kraftstofftank die richtige Art und Menge an Kraftstoff enthält. Führen Sie dann die Unter Wartungshinweise aufgelistete Zündkerzenwartung durch, um zu sehen, ob dies das Problem löst. Wenn das Problem weitergeht, rufen oder senden Sie eine E-Mail zu unser Support-Team über die details auf der Kontaktseite.

### ICH GLAUBE NICHT, DASS MEINE MINI-GARTENFRÄSE RICHTIG LÄUFT.

Rufen Sie an oder senden Sie eine E-Mail an unser Support-Team. Einzelheiten finden Sie auf der Kontaktseite. Unser freundliches und hilfsbereites Team wird sich um jedes Problem kümmern und eine Lösung für Sie finden.

### DIE ZINKEN SIND IMMER NOCH LANGSAM IN BETRIEB, NACHDEM DER GASHEBEL FREIGEgeben WURDE.

Es kann Spannung auf das Gaskabel sein. Bewegen Sie das Gaskabel unten den Griff in Richtung des Motors, um die Spannung zu lösen. Allerdings könnte der Motor überfüllt sein. Dies kann einfach durch drehen der vergaserschraube gegen den Uhrzeigersinn fixiert werden, bis die Motordrehzahlen fallen und die Zinken anhalten.

**FÜR ALLE ANDEREN FRAGEN WENDEN SIE SICH  
BITTE AN UNSER KUNDENDIENSTTEAM.**



# ESPECIFICACIONES

## DESCRIPCIÓN DEL PRODUCTO

Ideal para los amantes del bricolaje y los jardineros profesionales, este tractor cuenta con 4 dientes, cada uno con 4 dientes, y un motor de alta potencia. Los dientes pueden alcanzar los 15 cm en el suelo, ideal para el mantenimiento de céspedes, bordes y parcelas de hortalizas.

Equipado con un motor de gasolina de 52 cm<sup>3</sup>, un tanque con capacidad de 1.2 l y combinado con una mezcla de aceite de 2 tiempos, su Minitractor puede ser operado fácilmente. La herramienta perfecta para el cultivo de huertos pequeños y medianos y parcelas de terreno. También recibirá ropa de seguridad GRATUITA, que incluye: protección para los ojos, oídos y guantes.

Tenga en cuenta: el Minitractor está diseñado para ser utilizado por un adulto competente y únicamente en terrenos blandos. Por favor, manténgase alejado de las llamas durante el uso de tu Minitractor. El operador de este equipo debe usar el Equipo de Protección Personal (EPP).

Consulte y lea los Consejos de Seguridad y las Prácticas de Trabajo Seguras para garantizar la prevención de lesiones o daños en el dispositivo antes de comenzar a utilizarlo.

## ESPECIFICACIONES DEL PRODUCTO

POTENCIA:	1.65kw
COMBUSTIBLE:	Mezcla de aceite de 2 tiempos - 40/1
PESO:	17kg
DIMENSIONES:	(L)90 x (W)54 x (H)98cm
MOTOR:	52cc
TAMAÑO DEL TANQUE:	1.2L

## ARTÍCULOS QUE ESTÁN INCLUIDOS

1 Motor	4 Tuercas
1 Asa derecha	1 Herramienta múltiple
1 Asa izquierda	1 Llave Inglesa
1 Asa media	1 Destornillador
1 Biela	2 Llaves Allen
4 Tornillos	3 Abrazaderas para cables
4 Sujetadores de las asas	1 Recipiente para la mezcla de combustible



# ESPECIFICACIONES

## CARACTERÍSTICAS DEL PRODUCTO

- |                                   |                                |
|-----------------------------------|--------------------------------|
| A. Interruptor de arranque/ arada | F. Dientes                     |
| B. Palanca del acelerador         | G. Asa                         |
| C. Bastidor del tirador inferior  | H. Chapa de ajuste del volante |
| D. Arrancador de Retroceso        | I. Rueda                       |
| E. Tanque de combustible          | J. Chaveta                     |



La responsabilidad de Monster Group UK Limited estará limitada únicamente al valor comercial del producto.

# CONSEJOS DE SEGURIDAD

## PRÁCTICAS DE TRABAJO SEGURAS

Lea atentamente las prácticas de trabajo seguras para garantizar la prevención de lesiones o daños al dispositivo.

Asegúrese de llevar calzado resistente, guantes rígidos y protección para los ojos y oídos. La ropa suelta, el pelo largo y las joyas deben estar escondidas, ya que podrían quedar atrapadas en las partes móviles y causar lesiones.

No encienda el tractor si estás cansado, enfermo o bajo la influencia del alcohol o drogas.

La gasolina es muy inflamable. No use ni alimente el tractor en ningún lugar cerca de una llama, chispas o mientras fumas. Permita que el motor se enfríe antes de volver a cargar combustible.

Asegúrese de tener cuidado al manejar el combustible. Le recomendamos que alimente el equipo al menos a 3 m de distancia de su área de trabajo en caso de que el combustible derramado se encienda al arrancar el motor.

Alimente el equipo solo una vez que esté seguro de que el equipo haya sido completamente ensamblado.

Asegúrese que ha llenado el tanque con la mezcla correcta de gasolina/aceite. Nunca intente hacer funcionar este motor con otra cosa que no sea gasolina sin plomo.

Inspeccione cuidadosamente el área que se va a cultivar, retire todos los residuos y los objetos duros o afilados, como vidrio, alambre y piedras grandes.

Tenga en cuenta el riesgo de lesiones para usted y para los posibles observadores. Cualquier espectador, niño o mascota debe estar a una distancia de al menos 15 metros, ya que las piedras y otros objetos pueden salir arrojados y causar lesiones.

Inspeccione el tractor, y especialmente los dientes, antes y después del uso, para detectar piezas desgastadas o dañadas o tuercas y pernos sueltos. No lo utilice hasta que las piezas se vuelvan a ajustar, reparar o reemplazar.

Siempre lleve el tractor con el motor apagado, y nunca se aleje dejando el motor en marcha.

Nunca ponga el tractor caliente sobre pasto seco o cualquier material combustible donde exista riesgo de incendio por el motor caliente.

Utilice el tractor solo con buena luz y visibilidad. No lo use en suelo congelado.

Siempre apague el motor antes de guardarlo.

# CONSEJOS DE SEGURIDAD

## PRÁCTICAS DE TRABAJO SEGURAS

Desenrosque la tapa del combustible y alimente el equipo al 80% de su capacidad. Sujete firmemente la tapa del combustible evitando cualquier roscado torcido y limpie los derrames. Asegúrese de que el tractor esté en posición horizontal al cargar combustible.

Si no va a utilizar el tractor durante períodos prolongados, drene la mezcla del tanque de combustible, arranque el motor y vacíe el carburador del combustible restante.

Tenga cuidado en terrenos resbaladizos/húmedos.

Si los dientes se atascan, detenga el motor. Limpie los escombros y comience de nuevo.

Utilíselo solo al aire libre. El Minitractor necesita ventilación: las emisiones contienen monóxido de carbono.

No sobrecargue el equipo.

Mantenga el control correcto del equipo en todo momento, ya que las distracciones pueden dañarlo/ o causar lesiones al usuario.

No transporte el equipo cuando esté encendido.

Nunca toque los dientes cuando el motor está en marcha o cuando acelere.

El motor se debe apagar, enfriar, y se debe desconectar el cable de la bujía antes de intentar cualquier reparación.

No vierta agua en la carcasa eléctrica o cerca de las rejillas de ventilación.

Evite que la tierra entre en contacto con los ojos: lávese los ojos inmediatamente con abundante agua y busque atención médica.

Mantenga el Minitractor limpio para prolongar la vida útil.

Después de apagar el equipo, mantenga las manos alejadas de los dientes, ya que aún podría estar girando después de apagado.

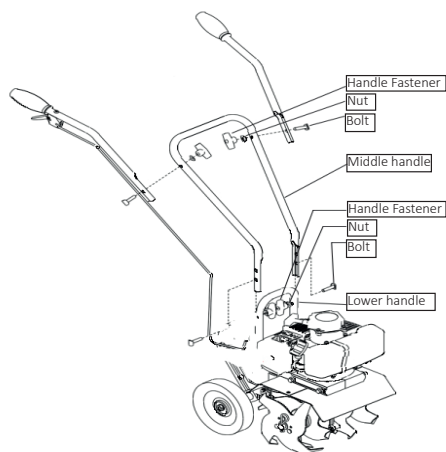
El motor debe estar apagado y frío antes de tocar cualquier parte del tractor. Las partes se calientan mucho durante el funcionamiento, y permanecen calientes durante un corto tiempo después de que se apaga la unidad.

# GUÍA DE USUARIO

## INSTRUCCIONES PARA EL MONTAJE

### ENSAMBLANDO LAS ASAS

1. Las manijas y el tirador central deben estar asegurados en su sitio antes de poder usar la unidad.
2. Coloque el tirador central en el bastidor del asa inferior para que se doble en la dirección del usuario. Asegúrese de que los orificios en las barras de ambos bastidores del asa estén alineados. Con dos tornillos, dos sujetadores de asa y dos tuercas, fija las asas juntas. Los sujetadores del asa se pueden colocar dentro o fuera de las manijas.
3. Fije las asas izquierda y derecha al bastidor del tirador del medio con las dos tuercas restantes, los dos tornillos y los dos sujetadores del asa.
4. La biela actúa como un soporte adicional para el bastidor del asa. Inserte cada extremo roscado de la biela a través de los orificios correspondientes en las asas izquierda y derecha. Si es difícil colocar la biela, afloja uno de los sujetadores de las manijas.
5. Tape los extremos roscados de la biela con las tuercas que se suministran. Asegúrese de que todo esté bien ajustado.
6. Utilice las bridas para cables para sujetar el recipiente del cable al bastidor del tirador central y al asa derecha. Asegúrese de que el recipiente del cable siga la curva del asa y que no haya un saliente. No tense el cable.



# GUÍA DE USUARIO

## INSTRUCCIONES PARA EL MONTAJE

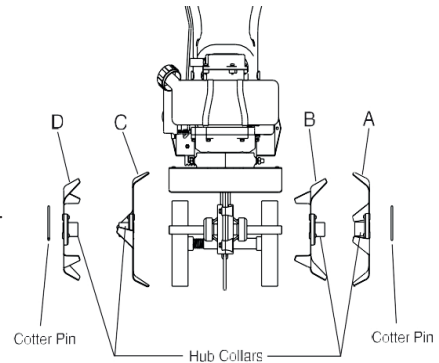
### DESMONTAJE E INSTALACIÓN DE LOS DIENTES

#### PARA QUITAR LOS DIENTES:

1. Retire los pasadores de chaveta de cada extremo del eje del diente.
2. Deslice los cuatro dientes para sacarlos del eje.

#### PARA INSTALAR LOS DIENTES:

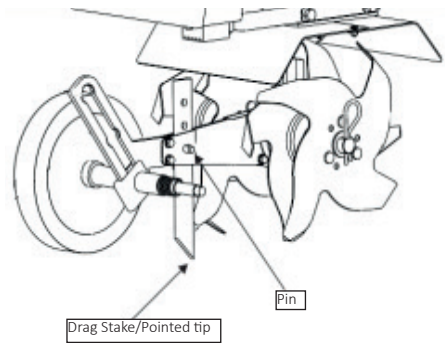
1. Primero deslice los dientes internos en cada extremo del eje del diente. Uno de los dientes interiores debe estar marcado con una 'B', y el otro debe estar marcado con una 'C'.
2. Deslice los dientes externos 'A' y 'D' en cada extremo del eje. Asegúrese de que los collarines del eje en los pares de dientes izquierdo y derecho estén uno frente al otro, de modo que haya un espacio adecuado entre las cuchillas de los dientes.
3. Inserte los pasadores de la chaveta en los orificios en cada extremo del eje de los dientes para fijar los dientes en su sitio.



### AJUSTE DE LA ESTACA DE ARRASTRE

La estaca de arrastre se utiliza para regular la profundidad de los púas giratorias. También sirve como freno, lo que ralentiza el movimiento hacia adelante del tractor y permite que las cuchillas penetren en la tierra.

1. Saque el pasador del agujero de la estaca de arrastre.
2. Coloque la estaca de arrastre de manera que el extremo puntiagudo esté mirando hacia abajo.
3. Inserte el pasador en el orificio que ha de lograr la profundidad deseada.



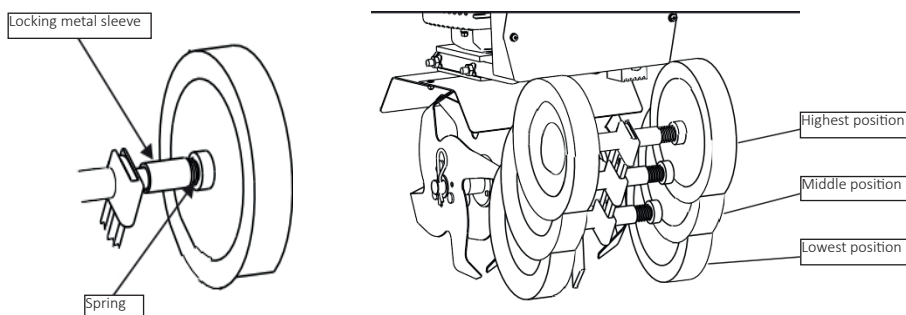
# GUÍA DE USUARIO

## INSTRUCCIONES PARA EL MONTAJE

### AJUSTE DE LAS RUEDAS

Las ruedas del Minitractor se pueden ajustar en una de las tres posiciones. La posición más baja de la rueda se utiliza para transportar el Minitractor cuando el motor no está funcionando. Las dos posiciones superiores se usan cuando se cultiva la tierra y ayudan a estabilizar la unidad cuando se cultiva a diferentes profundidades.

1. Tire del casquillo de bloqueo metálico contra el resorte hasta que la rueda se suelte de una de las tres ranuras.
2. Deslice el conjunto de ruedas hacia arriba o hacia abajo hasta la posición deseada, y suelte el casquillo de bloqueo metálico hasta que encaje en una de las tres ranuras.



# GUÍA DE USUARIO

## INSTRUCCIONES PARA EL MONTAJE

### PRIMER ABASTECIMIENTO DE COMBUSTIBLE

El motor deberá llenarse después del ensamblaje y antes de ser puesto en funcionamiento.

1. Usando un recipiente para mezcla de combustible, combine en la proporción 40: 1 - Gasolina sin plomo: Aceite lubricante para motor de 2 tiempos.
2. El recipiente para la mezcla de combustible viene con indicadores de nivel para permitir una mezcla precisa. Agite el recipiente para la mezcla de combustible para que se disuelvan. Ahora nos referiremos como una mezcla de aceite de 2 tiempos. El combustible se debe mezclar en un recipiente en un área bien ventilada.
3. Abra la tapa del tanque de combustible. Usando un embudo para combustible, vierte la mezcla de aceite de 2 tiempos en el tanque de combustible. Una vez que esté lleno hasta el 80% o al nivel indicado, vuelva a colocar la tapa del tanque de combustible y ajústala. Asegúrese de que también haya 30-50 ml de aceite en la caja de engranajes. Para obtener instrucciones sobre cómo hacerlo, consulte las Instrucciones para el mantenimiento.

# GUÍA DE USUARIO

## INSTRUCCIONES PARA EL FUNCIONAMIENTO

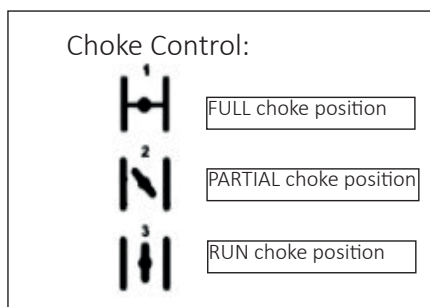
Mueva el Minitractor al área de trabajo antes de arrancar el motor.

### EN FRÍO:

1. Ponga el interruptor de inicio/parada en INICIO.
2. Coloque la palanca del estárter (en el lado izquierdo del motor) en la posición de arranque en frío (posición 1 - consulta la página opuesta).
3. Presione la perilla de cebado hasta que veas el flujo de combustible a través de la manguera transparente desde el tanque de combustible hasta el carburador.
4. Tire del arrancador de retroceso para arrancar el motor. El motor debe arrancar después de unos pocos tirones.
5. Haga que el motor funcione durante unos segundos y luego mueva la palanca del estárter hacia la posición de marcha (posición 2). Permita que el motor funcione durante unos segundos y luego mueva la palanca del estárter a la posición de marcha (posición 3).
6. Presione la palanca del estárter y sujete firmemente las empuñaduras del asa mientras bajas lentamente el tractor y los dientes hacen contacto con el suelo.
7. Para parar, suelte el acelerador y gire el interruptor de arranque/parada a PARADA.

### EN CALIENTE:

1. Siga el proceso exacto que usó en frío, excepto que mantenga el estárter en la posición de marcha (posición 3).
2. Con el motor en marcha y las púas levantadas del suelo, tire de la palanca del acelerador para aumentar la velocidad del motor.





# GUÍA DE USUARIO

## INSTRUCCIONES PARA EL FUNCIONAMIENTO

### USO DEL EL MINITRACTOR DE JARDÍN

Mueva el tractor al área de trabajo antes de arrancar el motor. Transpórtelo empujando las ruedas y no los dientes.

1. Con las ruedas en la posición correcta, el motor en marcha y las púas levantadas del suelo, aumente gradualmente la velocidad del motor levantando la palanca del acelerador.
2. Sujetando firmemente los manillares, baje lentamente el tractor sobre el suelo. A medida que giran los dientes, incline el tractor hacia adelante para que los dientes puedan penetrar en la tierra. Una vez que el terreno esté roturado, continúa a un ritmo moderado.
3. Puede tirar el tractor hacia atrás para mejorar la profundidad de cultivo.

Manipulando los manillares, el operador puede controlar la profundidad y la velocidad del tractor:

- Presionando las asas hacia abajo, la barra de arrastre puede penetrar en el suelo y ralentizar el movimiento del tractor hacia adelante.
- Aflojando la presión sobre las manijas y moviendo el tractor suavemente de lado a lado ayuda a liberar cualquier diente que esté demasiado profundo.
- Para girar, empuje hacia abajo las manijas para llevar el peso del tractor hacia atrás. Esto hará que girar sea más fácil.

Después de una prueba inicial de tu tractor, es posible que necesite ajustar la profundidad de la estaca de arrastre y la altura de las ruedas. Las instrucciones para el ajuste de estos elementos se pueden encontrar en las páginas anteriores.

# GUÍA DE USUARIO

## MANTENIMIENTO

La bujía necesita un mantenimiento periódico para asegurarse de que el Minitractor de Jardín se inicie correctamente. Esto también debe hacerse antes del primer uso después del almacenamiento en invierno, junto con una mezcla de combustible nueva.

### BUJÍA

1. El espacio de aire correcto debe ser de 0,5 mm.
2. Pare el motor y déjelo enfriar. Usando la herramienta múltiple retira la bujía.
3. Limpie la suciedad alrededor de la bujía. No deje que entre suciedad en el cilindro. Vuelve a abrir la bujía con un Calibre de Espesores, vuélvala a colocar y ajústala.

### FILTRO DE AIRE

1. Quite la cubierta del filtro de aire aflojando los tornillos de cabeza hueca.
2. Retire la esponja del filtro de aire del interior y lávela con detergente y agua. Enjuague bien y asegúrese de que esté completamente seca.
3. Aplique aceite al filtro y reemplaze la cubierta del filtro de aire. Recuerde asegurar los tornillos de cabeza hueca.

### MANTENIMIENTO DEL CUERPO DEL EQUIPO

1. Después del primer uso, compruebe que no haya tornillos flojos.
2. Después del primer uso y de 20 horas de uso, lubrique la caja de engranajes. Para hacerlo, simplemente desenrosca uno de los tornillos pequeños de la caja de engranajes y utilizando un embudo o gotero pequeño, llene con 30 - 50 ml de aceite lubricante.

# SOLUCIÓN DE PROBLEMAS

## MANUAL DE SOLUCIONES

### ¿QUÉ HACER SI FALTA ALGUNA DE LAS PARTES AL RECIBIR EL PEDIDO?

En caso de que alguna parte esté faltante, contáctese con nuestro amable y servicial equipo de Atención al cliente dentro de los 7 días de haber recibido el pedido.

### MI MINITRACTOR PARA JARDÍN NO ARRANCA.

Verifique que el tanque de combustible tenga el tipo y la cantidad de combustible correctos. Luego, haga el mantenimiento de la bujía que se indica en las Instrucciones de mantenimiento para ver si esto resuelve el problema. Si el problema continúa, llame o envíe un correo electrónico a nuestro Equipo de Ayuda, los detalles en la Página de Contacto.

### NO CREO QUE EL MINITRACTOR PARA JARDÍN ESTÉ FUNCIONANDO CORRECTAMENTE.

Llame o envíe un correo electrónico a nuestro Equipo de Soporte, los detalles en la página de Contacto, y nuestro amable y servicial equipo escuchará cualquier problema y encontrará una solución.

### TODAVÍA FUNCIONA LENTAMENTE DESPUÉS QUE EL ACELERADOR HA SIDO LIBERADO.

Puede haber tensión en el cable del acelerador, mueva el cable del acelerador por la palanca hacia el motor para liberar la tensión. Sin embargo, el motor puede estar sobrecargado. Esto se puede solucionar simplemente girando el tornillo del carburador en sentido contrario a las agujas del reloj hasta que las revoluciones del motor caigan y los dientes se detengan.

**POR CUALQUIER OTRA CONSULTA, SÍRVASE CONTACTARSE  
CON NUESTRO EQUIPO DE ATENCIÓN AL CLIENTE.**

# SPECIFICHE

## DESCRIZIONE DEL PRODOTTO

Ideale per appassionati di bricolage e paesaggisti professionisti, questa Motozappa presenta 4 lame ciascuna con 4 denti e con un motore ad alta potenza. I denti possono raggiungere fino a 15 cm nel terreno, ideale per la manutenzione dei prati, bordi e orti.

Equipaggiato con un motore a benzina da 52 cc, una capacità del serbatoio di 1,2 litri e combinato con un mix di olio a 2 tempi, la vostra Motozappa per orti può essere facilmente azionata. Lo strumento perfetto per coltivare degli orti di piccole e medie dimensioni. Inoltre voi riceverete degli attrezzi di sicurezza tutto GRATUITO che includono: protezione per gli occhi e l'orecchio ed anche dei guanti.

**Nota:** La Mini Motozappa è progettata per essere utilizzata da un adulto competente. La Motozappa è progettata per essere utilizzata solo sui terreni morbidi. Si prega di tenere lontano da eventuali fiamme durante l'uso della vostra Motozappa. L'equipaggiamento protettivo personale (DPI) deve essere indossato dall'operatore di questa zappa.

Si prega di fare riferimento e di leggere i Consigli di Sicurezza, le Pratiche sul Lavoro Sicuro per garantire la prevenzione dei lesioni o danni al dispositivo prima dell'avvio.

## SPECIFICHE DEL PRODOTTO

POTENZA:	1.65kw
COMBUSTIBILE:	2 Stroke Oil Mix - 40/1
PESO:	17kg
DIMENSIONI:	(L)90 x (W)54 x (H)98cm
MOTORE:	52cc
DIMENSIONE DEL SERBATOIO:	1.2L

## CONTENUTO DEL PRODOTTO

1 Motore	4 Dadi
1 Maniglia destra	1 Multi-strumento
1 Maniglia sinistra	1 Chiave
1 Maniglia centrale	1 Cacciavite
1 Biella	2 Chiavi a brugola
4 Vite	3 Fascetta
4 Fissaggio della maniglia	1 Contenitore di miscelazione del carburante

# SPECIFICHE

## CARATTERISTICHE DEL PRODOTTO

- |                                    |                                       |
|------------------------------------|---------------------------------------|
| A. Interruttore di avvio / arresto | F. Denti                              |
| B. Leva dell'acceleratore          | G. Maniglia                           |
| C. Telaio impugnatura inferiore    | H. Piastra di regolazione della ruota |
| D. Avviamento a strappo            | I. Ruota                              |
| E. Serbatoio del carburante        | J. Coppiglia                          |



La responsabilità di Monster Group UK Limited sarà limitata al solo valore commerciale del prodotto.

# CONSIGLI DI SICUREZZA

## PRATICA DI LAVORO SICURA

Si prega di leggere attentamente le pratiche di lavoro sulla sicurezza per garantire la prevenzione di lesioni o dei danni al dispositivo.

Assicurati di indossare sempre delle calzature robuste, guanti resistenti, protezioni per gli occhi e le orecchie. Indumenti larghi, capelli lunghi e gioielli devono essere nascosti in quanto potrebbero rimanere intrappolati nelle parti in movimento e possono causare dei lesioni.

Non utilizzare la motozappa se si è stanchi, malati o sotto l'influenza di alcol o di droghe. La benzina è abbastanza infiammabile. Non utilizzare o alimentare la motozappa nella prossimità di fiamme, scintille o fumo. Lascia raffreddare sempre il motore prima di procedere al rifornimento.

Prestare sempre attenzione quando usate il carburante. Si consiglia di alimentare la macchina ad almeno 3 m di distanza dall'area di lavoro, nel caso in cui il carburante fuoriuscito si accenda all'avviamento del motore.

Fornire la macchina col carburante solo quando che si è soddisfatti che la macchina sia stata assemblata in modo corretto

Verificare di aver riempito il serbatoio con la corretta miscela di benzina / olio. Non tentare mai di far funzionare questa motozappa usando altro che benzina senza piombo.

Ispezionare attentamente l'area da lavorare, rimuovere tutti i detriti ed anche degli oggetti duri o taglienti come il vetro, fili e pietre di grandi dimensioni. Sii consapevole del rischio di lesioni a te stesso e ai possibili astanti. Eventuali astanti, bambini o animali domestici devono essere almeno 15 metri di distanza perché le pietre e altri oggetti possono essere gettati e possono causare delle lesioni.

Ispezionate la motozappa, e in particolare i denti, prima e dopo l'uso, per eventuali parti usurate o danneggiate o per dadi e bulloni allentati. Non utilizzarlo fino a quando le parti non siano state serrate, riparate o sostituite.

Portare sempre con sé la motozappa quando il motore si è fermato, e non lasciarla mai incustodita con il motore acceso.

Non posare mai la motozappa calda su erba secca o vicino ai materiali combustibili in cui vi sia il rischio di incendio a causa del motore caldo.

# CONSIGLI DI SICUREZZA

## PRATICA DI LAVORO SICURA

Utilizzare la motozappa solo nei condizioni di buona luce e visibilità. Non usarla mai su terreno ghiacciato. Spegnerne sempre il motore prima di sistemarla.

Svitare il tappo del carburante e portare la macchina all'80% della capacità. Fissare saldamente il tappo del serbatoio evitando qualsiasi filettatura incrociata e asciugare eventuali perdite. Assicurarsi che la motozappa sia in posizione orizzontale durante il rifornimento.

Se la Mini Motozappa non verrà utilizzato per lunghi periodi, scaricare la miscela dal serbatoio del carburante, avviare il motore e scaricare il carburatore dal carburante rimanente. Si prega di fare attenzione su un terreno scivoloso / o bagnato.

Se i denti si bloccano, si prega di spegnere il motore. Rimuovere i detriti e ricominciare.

Utilizzare solo all'aperto. La Mini Zappatrice ha bisogno di ventilazione - e le emissioni contengono monossido di carbonio.

Non sovraccaricare la macchina.

Mantenere il controllo della macchina in ogni momento, le distrazioni possono causare danni alla macchina e / o lesioni all'utente.

Non trasportare la macchina quando è accesa.

Non toccare mai i denti con motore acceso o in accelerazione.

Il motore deve essere spento, raffreddato e il filo della candela deve essere rimosso dalla candela prima di qualsiasi tentativo di riparazione.

Non versare acqua sull'alloggiamento elettrico o vicino alle prese d'aria.

Evitare il contatto del suolo con gli occhi - lavare abbondantemente con acqua e consultare un medico.

Tenere sempre pulita la Mini Zappatrice per prolungare la sua vita.

Dopo aver spento la macchina, tenere le mani lontane dai denti poiché potrebbero ancora girare dopo aver spento la macchina.

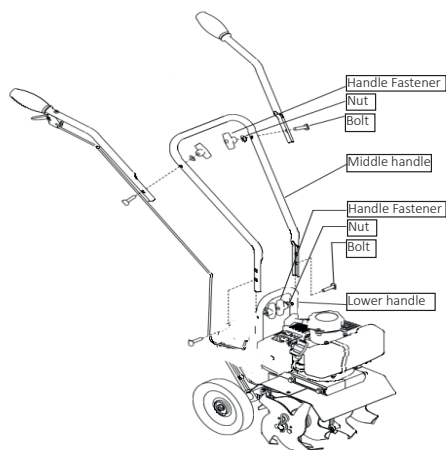
Il motore deve essere spento e raffreddato prima di toccare qualsiasi parte della Motozappa. Parti della Motozappa si surriscaldano molto durante il funzionamento e rimangono calde per un breve periodo dopo lo spegnimento dell'unità.

# GUIDA DELL'UTENTE

## ISTRUZIONI PER IL MONTAGGIO

### ASSEMBLARE LE MANIGLIE

1. Le maniglie e la maniglia centrale devono essere fissate in posizione prima che l'unità possa essere utilizzata.
2. Posizionare la maniglia centrale sul telaio dell'impugnatura inferiore in modo che si pieghi nella direzione dell'utente. Assicurarsi che i fori nelle barre di entrambi i telai siano allineati. Utilizzando due viti, due chiusure a leva e due dadi, fissare le maniglie insieme. Le chiusure dell'impugnatura possono essere posizionate all'interno o all'esterno delle maniglie. Attaccare le maniglie di sinistra e di destra al telaio della maniglia centrale con i due dadi rimanenti, due viti e due chiusure a maniglia.
3. La biella funge da supporto aggiuntivo per il telaio della maniglia. Inserire ciascuna estremità filettata della biella attraverso i fori corrispondenti nelle maniglie di sinistra e di destra. Se il montaggio della biella è difficile, allentare uno degli elementi di fissaggio delle maniglie sulle maniglie.
4. Tappare le estremità filettate della biella con i dadi forniti. Assicurarsi che tutto sia ben stretto.
5. Utilizzare le fascette per cavi per fissare il contenitore del cavo al telaio della maniglia centrale e alla maniglia destra. Assicurarsi che il contenitore del cavo segua la curva dell'impugnatura e che non vi siano sporgenze. Non mettere una forte tensione sul cavo.





# GUIDA DELL'UTENTE

## ISTRUZIONI PER IL MONTAGGIO

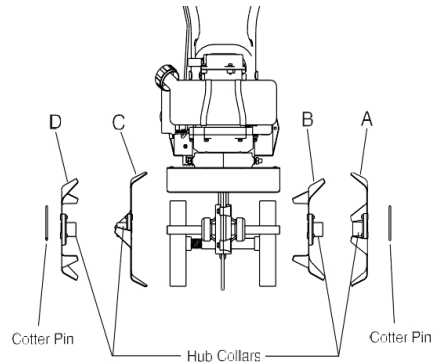
### RIMOZIONE E INSTALLAZIONE DEI DENTI

#### PER RIMUOVERE I DENTI:

1. Rimuovere le coppie da ciascuna estremità dell'albero dentato.
2. Far scorrere i quattro denti fuori dall'albero.

#### PER INSTALLARE I DENTI:

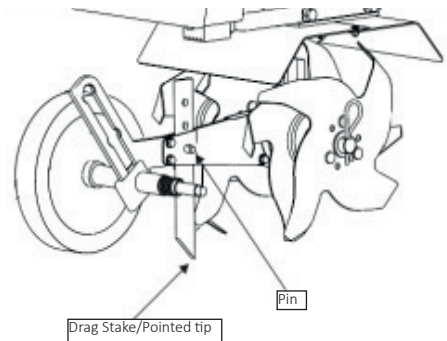
1. Innanzitutto far scorrere i denti interni su ciascuna estremità dell'albero del dente. Una punta interna dovrebbe essere stampata con una "B", e l'altra sarà stampigliata con una "C".
2. Far scorrere i denti esterni 'A' e 'D' su ciascuna estremità dell'albero. Assicurarsi che i collari del mozzo su entrambe le coppie di denti a sinistra ea destra siano rivolti l'uno verso l'altro, in modo che vi sia una distanza adeguata tra le lame dei denti.
3. Inserire le coppiglie nei fori su ciascuna estremità dell'albero dentato per bloccare i denti in posizione.



### REGOLAZIONE DEL PALLO DI TRASCINAMENTO

Il pallo di trascinamento viene utilizzata per regolare la profondità dei denti del timone. Serve anche da freno, rallentando il movimento in avanti della Motozappa, consentendo alle lame di penetrare nel terreno.

1. Estrarre il perno dal foro del palo di trascinamento.
2. Posizionare il paletto di trascinamento in modo che la punta appuntita sia rivolta verso il basso.
3. Inserisci il perno nel foro che così raggiungerà la profondità desiderata.



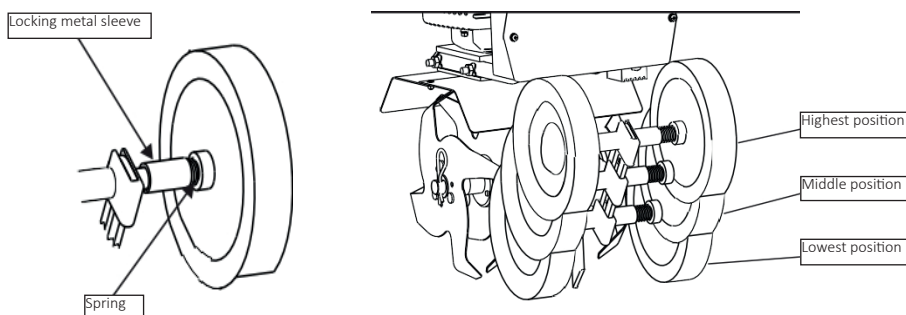
# GUIDA DELL'UTENTE

## ISTRUZIONI PER IL MONTAGGIO

### REGOLAZIONE DELLE RUOTE

Le ruote della Mini Zappatrice possono essere regolate su una delle tre posizioni. La posizione della ruota più bassa viene utilizzata per trasportare la Mini Zappatrice quando il motore non è in funzione. Le due posizioni più alte vengono utilizzate quando si coltiva il terreno e si aiuta a stabilizzare l'unità quando si coltiva a diverse profondità.

1. Tirare il manicotto metallico di bloccaggio contro la molla finché la ruota non si stacca da una delle tre scanalature.
2. Far scorrere la ruota verso l'alto o verso il basso nella posizione desiderata e rilasciare il manicotto metallico di bloccaggio finché non si blocca in una delle tre scanalature.



# GUIDA DELL'UTENTE

## ISTRUZIONI PER IL MONTAGGIO

### PRIMO RIFORNIMENTO

Il motore dovrà essere alimentato dopo il montaggio e prima di essere azionato.

1. Usando un contenitore di miscelazione del carburante, combinare 40: 1 - Benzina senza piombo: olio lubrificante a 2 tempi.
2. Il contenitore di miscelazione del carburante avrà indicatori di livello per consentire una miscelazione accurata. Agitare il contenitore di miscelazione del carburante per mescolare bene. Sarà indicato come un mix di olio a 2 tempi. Il carburante deve essere miscelato in un contenitore in un'area ben ventilata.
3. Aprire il tappo del serbatoio del carburante. Utilizzando un imbuto di carburante, versare il miscelatore di olio a 2 tempi nel serbatoio del carburante. Una volta riempito all'80% o al livello indicato, reinserire il tappo del serbatoio del carburante e serrare. Assicurarsi che ci sia anche 30-50 ml di olio nella scatola del cambio. Per istruzioni su come eseguire questa operazione, consultare le istruzioni per la manutenzione.

# GUIDA DELL'UTENTE

## ISTRUZIONI OPERATIVE

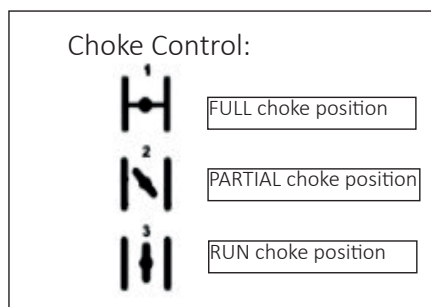
Spostare la Mini Zappatrice nell'area di lavoro prima di avviare il motore.

### DAL FREDDO:

1. Impostare l'interruttore Start / Stop su START.
2. Impostare la leva dello starter (sul lato sinistro del motore) sulla posizione di avvio a freddo (posizione 1 - fare riferimento alla pagina opposta). Premere la pompetta di adescamento finché non si vede il flusso di carburante attraverso il tubo trasparente dal serbatoio del carburante al carburatore.
3. Tirare il dispositivo di avviamento a strappo per avviare il motore. Il motore dovrebbe avviarsi dopo qualche tiro.
4. Lasciare girare il motore per alcuni secondi e quindi riportare la leva dell'aria in posizione di marcia (posizione 2). Lasciare girare il motore per alcuni secondi e quindi spostare la leva dell'aria in posizione di marcia (posizione 3).
5. Premere la leva dell'acceleratore e tenere saldamente le impugnature mentre si abbassa lentamente la Motozappa e i denti entrano in contatto con il terreno.
6. Per fermarsi, rilasciare l'acceleratore e portare l'interruttore di avvio / arresto su STOP.

### DA CALDO:

1. Seguire il processo esatto come da freddo, tranne mantenere la bobina in posizione di marcia (posizione 3).
2. Con il motore acceso e i denti sollevati da terra, tirare la leva dell'acceleratore per aumentare il regime del motore.



# GUIDA DELL'UTENTE

## ISTRUZIONI OPERATIVE

### UTILIZZANDO LA MINI MOTOZAPPA PER GIARDINI

Sposta la Motozappa nell'area di lavoro prima di avviare il motore. Trasportalo spingendo le ruote e non i denti.

1. Con le ruote nella posizione corretta, il motore in funzione e i denti sollevati da terra, aumentare gradualmente la velocità del motore tirando verso l'alto la leva dell'acceleratore.
2. Tenendo saldamente il manubrio, abbassare lentamente la Motozappa sul terreno. Quando i denti ruotano, inclinare la Motozappa in avanti in modo che i denti possano penetrare nel terreno. Una volta che il terreno è stato rotto, continuare ad un ritmo moderato.
3. Puoi tirare indietro la Motozappa per migliorare la profondità della coltivazione.

Maneggiando le manubri, l'operatore può controllare la profondità e la velocità della Motozappa:

- Spingendo verso il basso le maniglie si consente alla barra di trascinamento di penetrare nel terreno e rallentare il movimento in avanti della Motozappa.
- Facendo leva sulle maniglie e spostando delicatamente la Motozappatrice da un lato all'altro, è possibile rilasciare tutti i denti che vengono scavati troppo profondamente.
- Quando si gira, spingere verso il basso le maniglie per portare il peso della Zappatrice verso la parte posteriore; questo renderà la svolta più facile.

Dopo una prova iniziale della vostra Motozappa, potresti scoprire che devi regolare la profondità del paletto di resistenza e l'altezza delle ruote. Le istruzioni per la regolazione di questi elementi sono disponibili nelle pagine precedenti.

# GUIDA DELL'UTENTE

## MANUTENZIONE

Una manutenzione periodica è richiesta sulla candela per assicurarsi che la Mini Motozappa si avvia correttamente. Questo dovrebbe essere fatto anche prima del primo utilizzo dopo la conservazione invernale, insieme a un nuovo mix di carburante.

### CANDELA

1. Il traferro corretto dovrebbe essere 0,5 mm.
2. Arresta il motore e lascialo raffreddare. Usando il multi-strumento rimuovere la candela.
3. Pulire lo sporco intorno alla candela. Non lasciate che lo sporco entri nel cilindro. Risparziare la candela utilizzando un spessimetro, sostituirla e serrarla.

### FILTRO DELL'ARIA

1. Rimuovere il coperchio del filtro dell'aria allentando le viti a testa cilindrica.
2. Rimuovere il filtro dell'aria dall'interno e lavarlo con detergente ed acqua. Risciacquare abbondantemente e assicurarsi che sia completamente asciutto.
3. Applicare olio sul filtro e sostituire il coperchio del filtro dell'aria. Ricordarsi di fissare le viti a brugola.

### MANUTENZIONE DEL CORPO

1. Dopo il primo utilizzo, verificare che non vi siano viti allentate.
2. Dopo il primo utilizzo e 20 ore di utilizzo, lubrificare la scatola del cambio. Per fare ciò, basta svitare una delle piccole viti sul cambio e, usando un piccolo imbuto o un contagocce, riempire con 30 - 50 ml di olio lubrificante.

# RISOLUZIONE DEI PROBLEMI

## GUIDA ALLA RISOLUZIONE

### COSA FACCIO SE CI SONO DELLE PARTI MANCANTI NEL MIO ORDINE?

Se sembra che ci sia qualche parte mancante nel vostro ordine, contattate il nostro amichevole e disponibile Servizio di Assistenza Clienti entro 7 giorni dal ricevimento.

### LA MIA MINI MOTOZAPPA NON SI AVVIA.

Controllare che il serbatoio del carburante abbia il tipo e la quantità di carburante corretta. Poi effettuare la manutenzione della candela elencata sotto istruzioni di manutenzione per vedere se questo risolve il problema. Se il problema persiste, chiama o invia un'email al nostro team di supporto tramite i dettagli sulla pagina dei contatti.

### NON PENSO CHE LA MIA MINI MOTOZAPPA FUNZIONI CORRETTAMENTE.

Chiama o invia tramite e-mail il nostro team di supporto, i dettagli sono sulla pagina Contattaci e il nostro team cordiale e disponibile ascolterà qualsiasi problema e troverà una soluzione.

### I DENTI STANNO ANCORA LENTAMENTE FUNZIONANDO DOPO CHE L'ACCELERATORE È STATO RILASCIATO.

Potrebbe esserci tensione sul cavo dell'acceleratore, spostare il cavo dell'acceleratore verso il basso verso il motore per rilasciare la tensione. Tuttavia, il motore potrebbe essere troppo pieno. Questo può essere semplicemente risolto ruotando la vite del carburatore in senso antiorario fino a quando i giri del motore non si abbassano e i denti si fermano.

**PER ALTRE PROBLEMATICHE CONTATTARE IL NOSTRO SERVIZIO DI ASSISTENZA CLIENTI.**



# OMSCHRIJVING

## PRODUCT OMSCHRIJVING

Deze tuinfrees is ideaal voor doe-het-zelvers en professionele tuinarchitecten en heeft 4 tanden met elk 4 messen en een krachtige motor. De tanden kunnen 15cm in de grond komen, ideaal voor het onderhoud van grasvelden, randen en moestuinen.

Dankzij de 52cc-benzinemotor en tankcapaciteit van 1,2l gecombineerd met een tweetaktoliemix, kan uw Mini Tuinfrees gemakkelijk bediend worden. De perfecte tool voor het frezen van kleine tot middelgrote moestuinen en volkstuinten. Verder ontvangt u ook GRATIS veiligheidskleding waaronder: oog- en gehoorbescherming en handschoenen.

Let op: de Mini Tuinfrees is ontworpen om gebruikt te worden door een verantwoordelijke volwassene. De Tuinfrees is ontworpen om alleen op zachte ondergrond te worden gebruikt. Houd de Mini Tuinfrees tijdens gebruik uit de buurt van vlammen. De gebruiker van dit apparaat moet Persoonlijke beschermingsmiddelen (PPE) dragen.

Raadpleeg en lees de veilige werkmethode voor gebruik om het oplopen van letsel of beschadiging van het apparaat te voorkomen.

## PRODUCTSPECIFICATIES

VERMOGEN:	1.65kw
BRANDSTOF:	Tweetaktoliemix - 40/1
GEWICHT:	17kg
AFMETINGEN:	(L)90 x (W)54 x (H)98cm
MOTOR:	52cc
FORMAAT TANK:	1.2L

## PRODUCT BEVAT

- |                      |                                       |
|----------------------|---------------------------------------|
| 1 Motor              | 4 Moeren                              |
| 1 Rechterhandvat     | 1 Multigereedschap                    |
| 1 Linkerhandvat      | 1 Moersleutel                         |
| 1 Middelste handvat  | 1 Schroevendraaier                    |
| 1 Drijfstang         | 2 Inbussleutel                        |
| 4 Schroeven          | 3 Kabelbinder                         |
| 4 Handvatbevestigers | 1 Container voor mengen van brandstof |



# OMSCHRIJVING

## PRODUCTEIGENSCHAPPEN

- |                           |                  |
|---------------------------|------------------|
| A. Start/stop-schakelaar  | F. Tand          |
| B. Gashendel              | G. Handvat       |
| C. Frame onderste handvat | H. Wielstelplaat |
| D. Terugloopstarter       | I. Wiel          |
| E. Brandstoftank          | J. Splitpen      |



De aansprakelijkheid van Monster Group UK Limited is beperkt tot de commerciële waarde van het product.

# VEILIGHEIDSADVIES

## VEILIGHEIDSMATREGELEN

Lees a.u.b. de veilige werkmethode door om letsel of schade aan het apparaat te voorkomen.

Zorg ervoor dat u stevig schoeisel, stevige handschoenen, oog- en oorbescherming draagt. Losse kleding, lang haar en sieraden moeten worden weggestopt, wanneer deze in bewegende onderdelen terecht komen kan dit leiden tot letsel.

Bedien de helmstok niet als u moe, ziek of onder invloed van alcohol of drugs bent.

Benzine is zeer ontvlambaar. Gebruik of vul de tuinfrees niet in de buurt van een vlam, vonken of tijdens het roken. Laat de motor afkoelen voordat u opnieuw tankt.

Wees voorzichtig bij het gebruik van brandstof. We raden u aan om de machine op minstens 3 meter afstand van uw werkgebied te tanken voor het geval er gemorste brandstof ontbrandt bij het starten van de motor.

Voorzie de machine alleen van brandstof wanneer de machine volledig gemonteerd is.

Controleer of u de tank met de juiste benzine/oliemix hebt gevuld. Probeer nooit om deze motor met iets anders dan loodvrije benzine te laten werken.

Inspecteer het gebied dat u wilt frezen zorgvuldig, verwijder al het puin en harde of scherpe objecten zoals glas, draad en grote stenen.

Houd rekening met het risico op letsel van uzelf en mogelijke omstanders. Alle omstanders, kinderen of huisdieren moeten zich op minstens 15 meter afstand bevinden, omdat stenen en andere voorwerpen weggegooid kunnen worden en letsel kunnen veroorzaken.

Inspecteer de tuinfrees, en in het bijzonder de tanden, vóór en na gebruik, op versleten of beschadigde onderdelen of losse bouten en moeren. Gebruik het product pas nadat u de onderdelen opnieuw vastgedraaid, gerepareerd of vervangen hebt.

Draag de tuinfrees altijd wanneer de motor gestopt is en laat de motor nooit zonder toezicht draaien.

Leg de hete tuinfrees nooit op droog gras of brandbaar materiaal waar de hete motor brand kan veroorzaken.

Gebruik de tuinfrees alleen bij goed licht en zichtbaarheid. Niet gebruiken op bevroren grond.

Schakel de motor altijd uit voordat u het product neerzet.

# VEILIGHEIDSADVIES

## VEILIGHEIDSMATREGELEN

Draai de dop van de tank en tank de machine 80% van de totale capaciteit. Draai de tankdop stevig vast, vermijd schade aan het schroefdraad en verwijder de gemorste vloeistoffen. Zorg ervoor dat de tuinfrees zich in een horizontale positie bevindt tijdens het tanken.

Laat het mengsel uit de brandstoftank lopen wanneer u de tuinfrees niet gebruikt gedurende een langere periode. Start de motor en laat de resterende brandstof uit de carburator lopen.

Wees voorzichtig op gladde/natte grond.

Stop de motor wanneer de tanden geblokkeerd raken. Verwijder het puin en begin opnieuw.

Gebruik alleen buitenshuis. De Mini Tuinfrees heeft ventilatie nodig - de uitstoot bevat koolmonoxide.

Gebruik de machine niet te lang of voor te zwaar werk.

Bestuur de machine ten allen tijden op de correcte manier, afleidingen kunnen de machine beschadigen en/of de gebruiker verwonden.

Vervoer de machine niet wanneer deze aan staat.

Raak de tanden nooit aan wanneer de motor loopt of tijdens het accelereren.

De motor moet worden uitgeschakeld worden en afgekoeld zijn en de bougiekabel moet van de bougie worden verwijderd voordat u probeert een reparatie uit te voeren.

Giet geen water op de elektrische behuizing of in de buurt van de ventilatieopeningen.

Voorkom dat er zand in uw ogen komt - was uw ogen onmiddellijk met veel water en zoek medische hulp.

Houd de Mini Tuinfrees schoon om de levensduur te verlengen.

Houd uw handen na het uitschakelen van de machine uit de buurt van de tanden, aangezien deze nog steeds kunnen draaien.

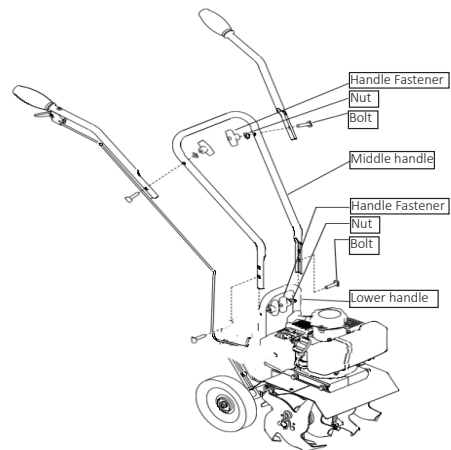
De motor moet uitgeschakeld worden en afgekoeld zijn voordat u de onderdelen van de Tuinfrees aanraakt. De onderdelen van de Tuinfrees worden tijdens het gebruik extreem heet en blijven nadat het apparaat uitgeschakeld is nog enige tijd warm.

# GEBRUIKSAANWIJZING

## MONTAGEINSTRUCTIES

### DE HANDVATEN MONTEREN

1. De handvaten en het middelste handvat moeten op hun plaats vastgezet worden voordat het apparaat gebruikt kan worden.
2. Plaats de middelste handgreep op het onderste handvatframe zodat deze in de richting van de gebruiker buigt. Zorg ervoor dat de gaten in de staven van beide handvatframes op één lijn liggen. Gebruik twee schroeven, twee handvatbevestigingen en twee moeren en maak de hendels aan elkaar vast. De handvatbevestigingen kunnen aan de binnen- of buitenkant van de handvaten worden geplaatst.
3. Bevestig de linker en rechter handvaten aan het middelste handvatframe met de resterende twee moeren, twee schroeven en twee handvatbevestigingen.
4. De verbindingstang fungeert als een extra ondersteuning voor het frame van het handvat. Steek elk van schroefdraad voorzien uiteinde van de verbindingstang door de corresponderende gaten in de linker en rechter handvaten. Maak één van de handvatbevestigingen op de handvaten los wanneer het monteren van de drijfstang moeilijk gaat.
5. Dicht de einden van de verbindingstang met de meegeleverde moeren. Zorg ervoor dat alles stevig vastgedraaid is.
6. Gebruik de kabelbinders om de kabelcontainer aan het middelste handvatframe en het rechterhandvat te bevestigen. Zorg ervoor dat de kabel de vorm van het handvat volgt en dat deze niet los hangt. Plaats geen spanning op de kabel.



# GEBRUIKSAANWIJZING

## MONTAGEINSTRUCTIES

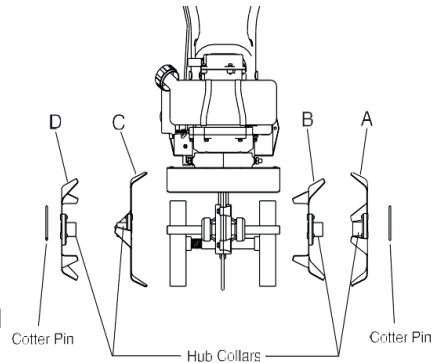
### HET VERWIJDEREN EN INSTALEREN VAN DE TANDEN

#### HET VERWIJDEREN VAN DE TANDEN:

1. Verwijder de splitpennen aan elk uiteinde van de tandas.
2. Schuif de vier tanden uit de as.

#### HET INSTALLEREN VAN DE TANDEN:

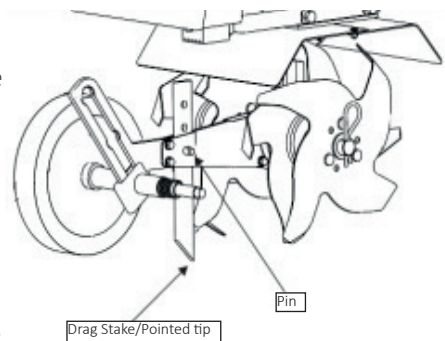
1. Schuif eerst de binnenste tanden op elk uiteinde van de tandas. Een binnenste tand is gestempeld met een 'B'; en de andere met een 'C'.
2. Schuif de buitenste tanden 'A' en 'D' op elk uiteinde van de as. Zorg ervoor dat de naafkragen op zowel het linker als het rechter paar tanden tegenover elkaar liggen, zodat er voldoende afstand tussen de tandbladen is.
3. Steek aan elk uiteinde van de tandas de splitpennen in de gaten om de tanden op hun plaats te vergrendelen.



### DE SLEEPPEN AANPASSEN

De sleeppen wordt gebruikt om de diepte van de draaiende tanden te regelen. Het dient ook als een rem en vertraagt de voorwaartse beweging van de tuinfrees, waardoor de messen in de grond kunnen doordringen.

1. Trek de pen uit het gat van de sleeppen.
2. Plaats de sleeppen zodanig dat de puntige punt naar beneden is gericht.
3. Steek de pin in het gat dat de gewenste diepte zal bereiken.



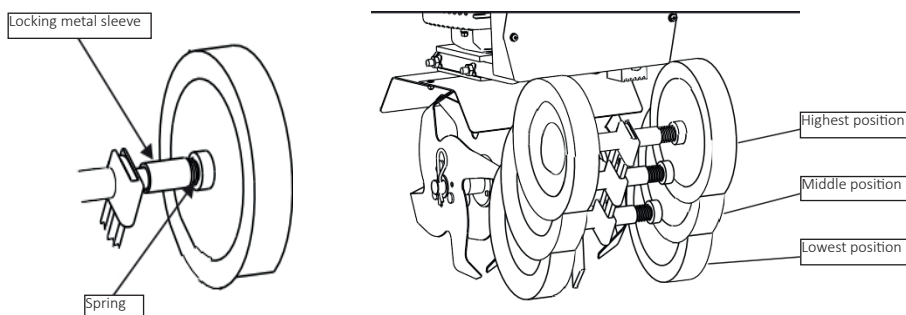
# GEBRUIKSAANWIJZING

## MONTAGEINSTRUCTIES

### DE WIELEN AANPASSEN

De wielen van de Mini Tuinfrees kunnen in drie standen worden gezet. De laagste wielpositie wordt gebruikt om de Mini Tuinfrees te transporteren wanneer de motor niet draait. De twee hogere posities worden gebruikt bij het cultiveren van de grond en helpen bij het stabiliseren van de eenheid bij het kweken op verschillende diepten.

1. Trek de metalen vergrendelingshuls tegen de veer totdat het wiel loskomt van één van de drie groeven.
2. Schuif het wiel omhoog of omlaag naar de gewenste positie en laat de metalen vergrendelingshuls los totdat deze in één van de drie groeven klikt.



# GEBRUIKSAANWIJZING

## MONTAGEINSTRUCTIES

### DE EERSTE KEER TANKEN

De motor moet na de montage en voor gebruikt getankt worden.

1. Gebruik de container voor het mengen van brandstof en combineer 40:1 - loodvrije benzine: tweetakt smeerolie.
2. De brandstofmengcontainer heeft niveau-indicatoren om een nauwkeurige menging mogelijk te maken. Schud de brandstofmengcontainer om te combineren. Het wordt nu een tweetaktoliemix genoemd. Brandstof moet worden gemengd in een container in een goed geventileerde ruimte.
3. Open de tankdop. Gebruik een brandstofrechter om het tweetaktoliemengsel in de brandstoftank te gieten. Draai de dop opnieuw op de tank wanneer deze eenmaal tot 80% of het aangegeven niveau gevuld is. Draai de dop goed vast. Zorg ervoor dat er ook 30-50ml olie in uw versnellingsbak zit. In de Onderhoudsinstructies kunt u lezen hoe u dit doen moet.

# GEBRUIKSAANWIJZING

## GEBRUIKSAANWIJZINGEN

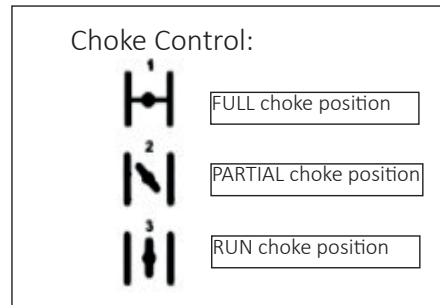
Verplaats de Mini Tuinfrees naar het werkgebied voordat u de motor start.

### KOUDE START:

1. Zet de Start/Stop-schakelaar op START.
2. Zet de chokehendel (aan de linkerkant van de motor) in de koude startpositie (positie 1 - zie de andere pagina).
3. Druk op de primer knop totdat u de brandstof door de transparante slang van de brandstoftank naar de carburateur ziet stromen.
4. Trek aan de terugloopstarter om de motor te starten. De motor zou moeten starten na een paar slagen.
5. Laat de motor een paar seconden draaien en verplaats vervolgens de chokehendel terug naar de startpositie (positie 2). Laat de motor een paar seconden draaien en verplaats vervolgens de chokehendel naar de startpositie (positie 3).
6. Knijp in de gashendel en houd de handvatten stevig vast terwijl u de tuinfrees langzaam laat zakken en de tanden contact maken met de grond.
7. Laat de gashendel los wanneer u wilt stoppen en draai de start/stop-schakelaar naar STOP.

### START MET EEN WARME MOTOR:

1. Volg exact hetzelfde proces als voor een koude start, maar houdt de chokehendel in positie 3.
2. Trek aan de gashendel om het toerental te verhogen terwijl de motor draait en u de tanden van de grond afhoudt.





# GEBRUIKSAANWIJZING

## GEBRUIKSAANWIJZINGEN

### HET GEBRUIK VAN DE MINI TUINFREES

Verplaats de tuinfrees naar het werkgebied voordat u de motor start. Verplaats de machine door op de wielen te rijden en niet op de tanden.

1. Verhoog terwijl de wielen zich in de juiste positie bevinden, de motor draait en de tanden zich boven de grond bevinden, geleidelijk het toerental door de gashendel omhoog te trekken.
2. Houd het stuur stevig vast en laat de tuinfrees langzaam op de grond zakken. Terwijl de tanden roteren, kantelt u de tuinfrees naar voren zodat de tanden de grond kunnen binnendringen. Ga zodra de grond gebroken is verder met een gematigd tempo.
3. U kunt de tuinfrees naar achteren trekken om de diepte van het frezen te verbeteren.

Door de handvatten te manipuleren kan de gebruiker de diepte en snelheid van de tuinfrees regelen:

- Door de handvaten omlaag te duwen kan de tuinfrees de grond doordringen en de voorwaartse beweging van de tuinfrees vertragen.
- Wanneer u de handvaten omhoog brengt en de tuinfrees voorzichtig heen en weer beweegt kunt u de tanden die te diep ingegraven zijn losmaken.
- Druk om te draaien op de handvaten om het stuurgewicht naar achteren te brengen; dit maakt het draaien gemakkelijker.

Na een eerste proef met uw tuinfrees komt u er misschien achter dat de diepte van de sleepas en de hoogte van de wielen aangepast moeten worden. Instructies voor het aanpassen van deze elementen zijn te vinden op de vorige pagina's.

# GEBRUIKSAANWIJZING

## ONDERHOUD

Periodiek onderhoud aan de bougie is vereist om ervoor te zorgen dat de Mini Tuinfreescorrection start. Dit moet ook worden gedaan vóór het eerste gebruik na de winterstalling, samen met een nieuwe brandstofmix.

### BOUGIE

1. De juiste luchtspleet moet 0,5 mm zijn.
2. Stop de motor en laat hem afkoelen. Gebruik de multi gereedschap om de bougie te verwijderen.
3. Verwijder vuil rondom de bougie. Laat geen vuil de cilinder binnendringen. Open de bougie opnieuw met een voelmaat, vervang hem en draai hem vast.

### LUCHTFILTER

1. Verwijder het luchtfilterdeksel door de inbuschroeven los te draaien.
2. Verwijder het sponsluchtfILTER van binnenuit en was het in wasmiddel en water. Spoel grondig en zorg ervoor dat deze helemaal droog is.
3. Breng olie aan op het filter en vervang deze en het luchtfilterdeksel. Vergeet niet de inbusbouten van de binnenkant vast te zetten.

### ONDERHOUD APPARAAT

1. Controleer na het eerste gebruik of er geen schroeven loszitten.
2. Smeer de versnellingsbak 20 uur na het eerste gebruik. Draai simpelweg één van de kleine schroeven op de versnellingsbak los om dit te doen en gebruik een kleine trechter of druppelaar om het apparaat met 30 - 50ml smeeroilie te vullen.

# HULP

## PROBLEEMOPLOSSING

### WAT MOET IK DOEN ALS ER ONDERDELEN ONTBREKEN?

Als blijkt dat er onderdelen ontbreken bij u bestelling, neem dan binnen 7 dagen na ontvangst contact op met onze behulpzame en vriendelijke klantenservice.

### MIJN MINI TUINFREES START NIET.

Controleer of de brandstoftank het juiste type en de juiste hoeveelheid brandstof bevat. Voer vervolgens het onderhoud aan de bougie zoals in de onderhoudsinstructies vermeld worden. Controleer of het probleem oplost is. Bel of mail ons ondersteuningsteam via de details op de contactpagina wanneer het probleem aanhoudt.

### IK DENK NIET DAT MIJN MINI GARDEN TILLER CORRECT WERKT.

Bel of mail ons ondersteuningsteam. Vind details op de pagina Neem Contact Met Ons op en ons vriendelijke en behulpzame team zal luisteren naar elk probleem en een oplossing vinden.

### DE TANDEN DRAAIEN NOG STEEDS LANGZAAM NADAT IK DE GASHENDEL LOSGELATEN HEB.

Mogelijk staat er spanning op de kabel, beweeg de kabel naar beneden langs de hendel in de richting van de motor om spanning weg te nemen. De motor kan echter te snel stationair draaien. Dit kan eenvoudig worden verholpen door de carburateurschroef tegen de klok in te draaien totdat de motor daalt en de tanden stoppen.

**VOOR ALLE ANDERE VRAGEN OF PROBLEMEN, NEEM GERUST CONTACT OP MET ONZE KLANTENSERVICE.**

Monster Group (UK) is one of the UK's fastest growing online retailers. We supply a diverse range of products which offer exceptional value for money. We strive to provide the best possible customer experience with free UK delivery across all our products and a Monster Guarantee for 100% satisfaction.

For information regarding this device or other products from our Monster divisions please contact Sales.

#### SALES

TEL: 01347 878 888

EMAIL: hello@monstershop.co.uk

For queries about this device, warranty, returns or reporting faults please contact Support.

#### SUPPORT

TEL: 01347 878 887

EMAIL: help@monstershop.co.uk

Pour plus d'informations concernant cet appareil ou d'autres produits de nos divisions de Monster veuillez utiliser les détails suivants ci-dessous.

#### DÉPARTEMENT COMMERCIAL

TEL: 01347 878 888

EMAIL: bonjour@monstershop.eu

Pour les interrogations concernant cet appareil, la garantie, les retours ou les défauts de déclaration veuillez utiliser les détails suivants ci-dessous.

#### DÉPARTEMENT DE SOUTIEN

TEL: 01347 878 887

EMAIL: help@monstershop.co.uk

Para información sobre este dispositivo u otros productos de nuestras divisiones de Monster por favor use los siguientes detalles.

#### DEPARTAMENTO DE VENTAS

TEL: 01347 878 888

EMAIL: hola@monstershop.eu

Para consultas sobre este dispositivo, la garantía, devoluciones o denuncias de fallos por favor use los siguientes detalles.

#### DEPARTAMENTO DE SOPORTE

TEL: 01347 878 887

EMAIL: help@monstershop.co.uk

Für Informationen bezüglich dieses Geräts oder anderer produkte aus unserer Monster-Abteilung, benutzen sie die folgenden unten aufgeführten angaben.

#### VERKAUFSABTEILUNG

TEL: 01347 878 888

EMAIL: hallo@monstershop.eu

Für fragen über dieses gerät, die garantie, rückgaben oder bei störungen, benutzen sie die folgenden unten aufgeführten angaben.

#### SUPPORT-ABTEILUNG

TEL: 01347 878 887

EMAIL: help@monstershop.co.uk

Per informazioni riguardanti questo dispositivo o altri prodotti dalle categorie Monster utilizzare i dettagli sotto riportati.

#### DIPARTIMENTO VENDITE

TEL: 01347 878 888

EMAIL: ciao@monstershop.eu

Per domande riguardo dispositivo, garanzia, reso o per riferire di guasti, utilizzare i dettagli sotto riportati.

#### DIPARTIMENTO SUPPORTO

TEL: 01347 878 887

EMAIL: help@monstershop.co.uk

Monster House, Alan Farnaby Way,  
Sheriff Hutton Industrial Estate,  
Sheriff Hutton, York, YO60 6PG  
[www.monstershop.co.uk](http://www.monstershop.co.uk)



 Try **Monster**. Buy **Monster**. Be **Monster**. 