



23920

Garden Roller



Try **Monster** - Buy **Monster** - Be **Monster**

Specification

Product Description

The T-Mech Garden Roller has a capacity of 120L and can be filled with either water or sand.

The handy scraper bar is fitted across the drum and will remove debris as you push and pull the garden roller over your lawn.

The T-Mech Garden Roller is designed to be towed and can be attached to most garden tractors or ride-on lawnmowers.

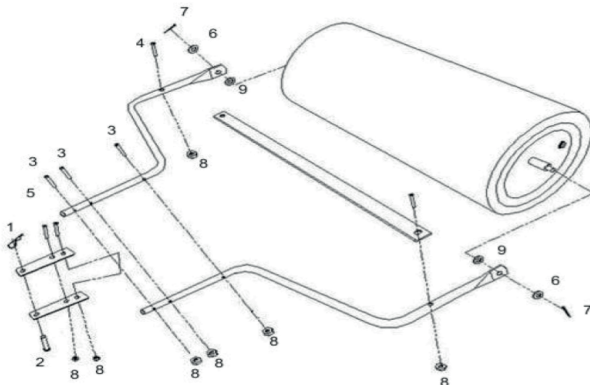
Monster Guarantee

If you wish to return a product in perfect working order, we provide a 30 day returns policy as long as the item is unopened and in a resalable condition.

A 12 month warranty applies to all of our electrical products; we will cover the cost of labour and parts. Our policy is to try and repair the item before arranging an exchange or refund.

If for any reason a part is missing please get in touch with us within 7 days on receipt of your order. You can contact our friendly and helpful Customer Support Team via email or call. For full terms and conditions contact our Support Department via the details on the Contact Us page.

Product Features

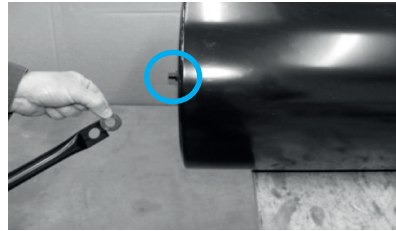


1. R-Clip
2. Towing bolt
3. 70mm bolt
4. 40mm bolt
5. 55mm bolt
6. Washer
7. Split pin
8. Nut
9. Plastic bush

User Guide

Assembly Instructions

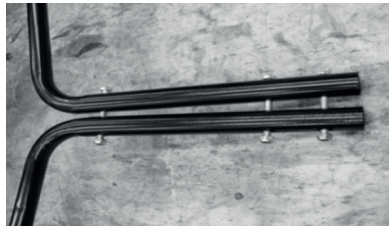
1. Place a plastic bush on the end of the roller's shaft. There is one located on each side of the drum.



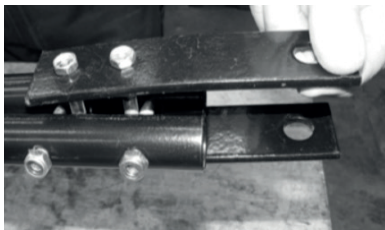
2. Place a metal arm onto the end of the roller's shaft. Secure it with a washer and a split pin. Repeat on the other side.



3. Loosely fit the 3 x 70mm bolts and nuts through the top part of both arms, as shown.



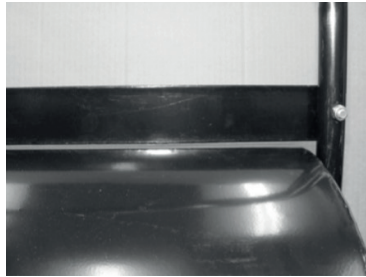
4. Fit the two connecting plates to the metal arms using 2 x 55mm bolts and nuts. Ensure that these bolts are between the 2 x 70mm bolts and metal arms as shown.



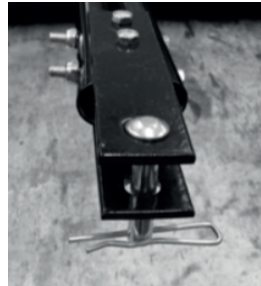
User Guide

Assembly Instructions

5. Fit the scraper bar to the metal arms using 40mm bolts and nuts. Ensure that the scraper bar just clears the drum before tightening the nuts.



6. Insert the towing pin and secure with an R-Clip.



7. Ensure everything is tightened and secure.

The garden roller may be filled with water or sand by removing the fill/drain plug. Fill the drum with the required amount and replace the plug.

Troubleshooting

Resolution Guide

Please read through the guide below if you have any issues or faults with your device. The information covers and resolves the majority of frequently asked questions.

Q: There are parts missing from my order.

A: If there appears to be any part missing from your package contact our Customer Support team via the details on the Contact Us page within 7 days of receipt.

For all other issues please contact our Customer Support department via the details on the Contact page.

Safety Advice

Safe Working Practice

Please read through the safe working practice to ensure prevention of injury or damage to the device.

It is advised to remove the sand or water from the drum if you need to lift or store the garden roller.

When towing the garden roller, make sure everything is secure.

Do not stand behind the garden roller when being towed.



Contact Us

Sales Department

For information regarding this device or other products from our Monster divisions please use the following details below.

Tel: 01347 878888

Email: hello@monstershop.co.uk

Support Department

For queries about this device, warranty, returns or reporting faults please use the following details below.

Tel: 01347 878887

Email: help@monstershop.co.uk

Website

To view our product range and fantastic offers in the Monster Chef division please visit our website

www.monstershop.co.uk

Address

To visit our office Monster House and view our products, send postal correspondence or return items our address is provided below.

Monster House, Alan Farnaby Way, Sheriff Hutton
Industrial Estate, Sheriff Hutton, York YO60 6PG



Monster Group (UK) is one of the UK's fastest growing online retailers. We supply a diverse range of products which offer exceptional value for money. We strive to provide the best possible customer experience with free UK delivery across all our products and a Monster Guarantee for 100% satisfaction.

Our dedicated customer service team will be more than happy to help with any questions you may have.

Home & Garden
Storage Shelving
Sign & Digital
Retail & Hospitality
Commercial Equipment

Check out all our Monster brands at www.monstershop.co.uk
