



# Soft Close Larder Basket

24351 - 24354

INSTRUCTION MANUAL

[www.monstershop.co.uk](http://www.monstershop.co.uk)

# SPECIFICATION

## PRODUCT DESCRIPTION

Struggling to get to those items at the back of your cupboard? Well we've got a solution. Our pull-out kitchen larder will help you to reach everything with ease.

The centre mounted larder units allow full access to either side of the baskets, so you can store a range of items. A great way of using narrow kitchen space, making sure that no space goes to waste.

This particular larder unit is for a 300mm cabinet, and it comes with 6 wire baskets.

## PRODUCT SPECIFICS

**DIMENSIONS:** 1720 - 2020mm  
**FRAME:** 450mm D x 240mm W x 1700 - 1950mm H  
**BASKETS:** 415mm D x 240mm W x 75mm H

**DIMENSIONS:** 1870 - 2220mm  
**FRAME:** 500mm D x 350mm W x 1900 - 2200mm H  
**BASKETS:** 415mm D x 240mm W x 75mm H

**SHELVING CAPACITY:** 15kg - 20kg (spread across all shelves)

## ITEM CONTENTS

- 1 x Frame
- 1 x Top Soft Close runner
- 1 x Bottom Soft Close runner
- 2 x Door Plate
- 2 x Door connector
- 6 x Wire basket
- 12 x Basket clip
- 1 x Allen key
- 32 x Round head screws (ST4 x 14)

# SAFETY ADVICE

## SAFE WORKING PRACTICE

Please read through the Safe Working Practice to ensure prevention of injury or damage to the device.

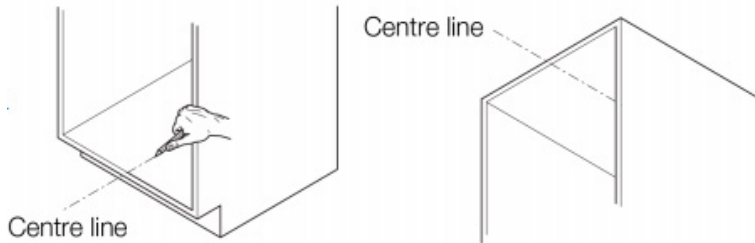
- Do not use this product for anything other than its intended purposes.
- Check that all the pieces are in the box. Please do not begin assembly if any of the parts are missing or damaged.
- Take care when using tools such as a drill. Personal Protective Equipment such as eye protection and safety gloves should be worn.
- Ensure the runners are secure before continuing the assembly.
- Be careful not to trap fingers when placing the baskets and using the runners.
- The product should only be used indoors, as it could lead to damage if left outside and unprotected.
- Check the screws regularly for tightness, and tighten if necessary.
- Do not over exceed the shelving capacity, detailed on the Specification page.  
**CAUTION: The capacity is based on the weight distributed across the whole shelf.**
- Always keep the weight evenly distributed to avoid any damage, and to prevent the baskets from leaning.
- Be sure that each basket is properly clipped into place before you begin storing items in the baskets.

Monster Group UK Limited's liability will be limited to the commercial value of the product only.

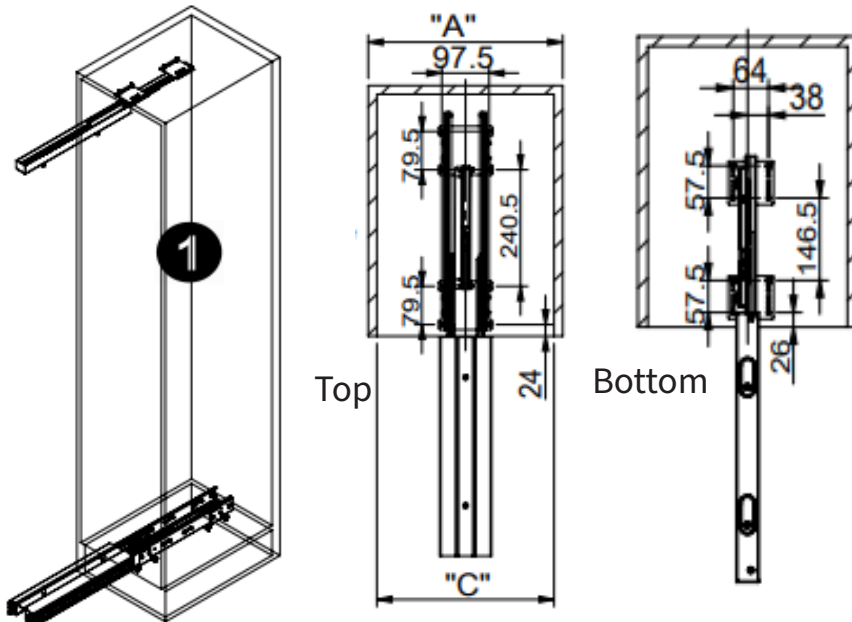
# USER GUIDE

## ASSEMBLY INSTRUCTIONS

1. Draw a centre line on the bottom and top panel of the cabinet you are installing the pull-out larder in.



2. Align the top and bottom runner with the centre line on the top and bottom panel.
3. Mark the positions of the pilot holes required for the top and bottom runner.
4. Pre-drill the 8 pilot holes on the top and the 8 pilot holes on the bottom of the cabinet.
5. Use 8 round head screws for each runner to secure them to the top and base of the cabinet.

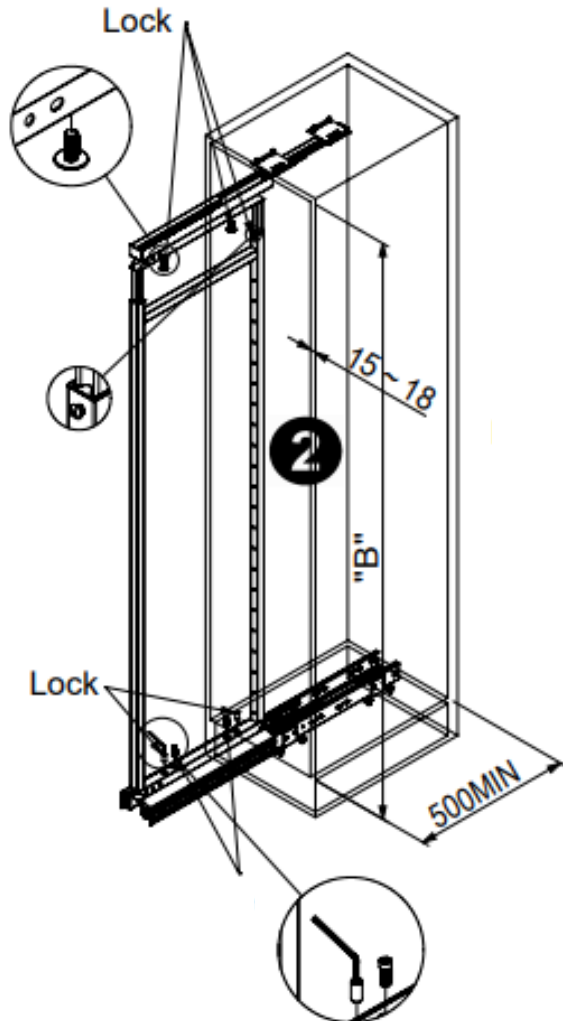


# USER GUIDE

## ASSEMBLY INSTRUCTIONS

6. Extend the top and bottom runners.

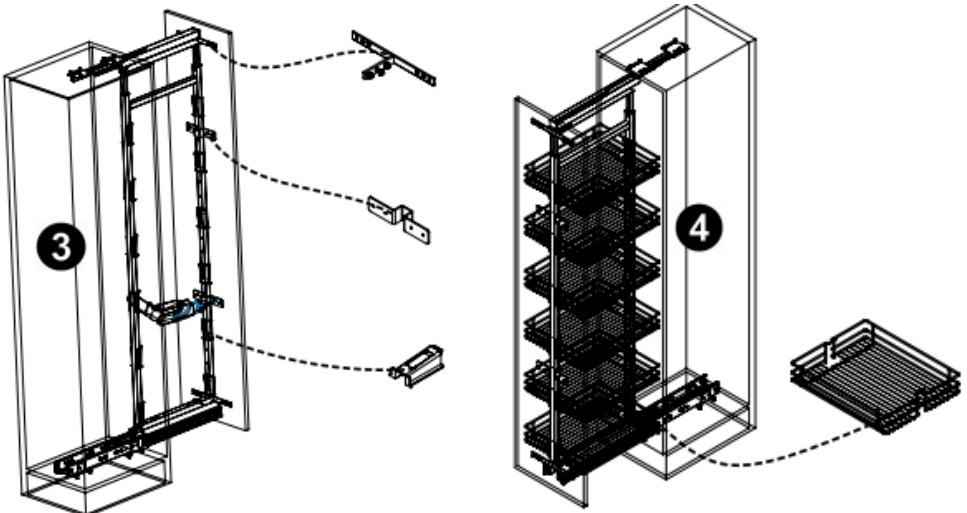
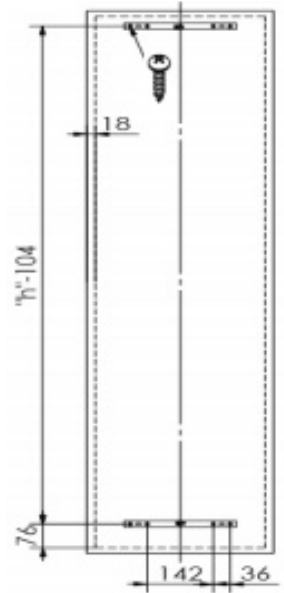
7. Attach the frame to the top and bottom runners. Use the image below to help.



# USER GUIDE

## ASSEMBLY INSTRUCTIONS

8. Mark the location of the door plates on the cabinet door.
9. Mark the 8 pilot holes for the 8 round head screws.
10. Drill the 8 fixing holes.
11. Attach the door plates to the cabinet door using 8 round head screws.
12. Once the door plates have been fitted, attach them to the frame. Use the image below to help you.
13. Attach the door plates to the frame using the allen head bolts. You can see an image of the bolt in the picture above.
14. Attach the 2 other door plates using 4 round head screws. Remember to mark pilot holes before drilling!
15. You can adjust the cabinet door by adjusting the bolts. Use the provided allen key to do so.
16. Fit the wire baskets to the frame and place the plastic clips over the wires to securely fasten it to the frame. Make sure everything is secure.



# TROUBLESHOOTING

## RESOLUTION GUIDE

### WHAT DO I DO IF THERE ARE MISSING PARTS FROM MY ORDER?

If there appears to be any part missing from your order, contact our friendly and helpful Customer Support Team within 7 days of receipt.

### WHAT TOOLS DO I NEED TO ASSEMBLE MY LARDER UNIT?

A drill will be needed for making pilot holes. A cross-head screwdriver will be needed to tighten screws. Allen keys are provided. You may find it useful to use a bradawl when tightening screws. A spirit level, tape measure and pencil will be needed to accurately measure the insides of the cabinet and when placing the fixings.

### HOW DO I CLEAN AND/OR MAINTAIN MY LARDER UNIT?

A damp cloth can be used to clean the baskets. Do not use oil or harsh abrasives when cleaning, as this could damage the metal.

**FOR ALL OTHER ISSUES, PLEASE CONTACT OUR  
CUSTOMER SUPPORT TEAM.**

Monster Group (UK) is one of the UK's fastest growing online retailers. We supply a diverse range of products which offer exceptional value for money. We strive to provide the best possible customer experience with free UK delivery across all our products and a Monster Guarantee for 100% satisfaction.

For information regarding this device or other products from our Monster divisions please contact Sales.

#### SALES

TEL: 01347 878 888

EMAIL: hello@monstershop.co.uk

For queries about this device, warranty, returns or reporting faults please contact Support.

#### SUPPORT

TEL: 01347 878 887

EMAIL: help@monstershop.co.uk

Pour plus d'informations concernant cet appareil ou d'autres produits de nos divisions de Monster veuillez utiliser les détails suivants ci-dessous.

#### DÉPARTEMENT COMMERCIAL

TEL: 01347 878 888

EMAIL: bonjour@monstershop.eu

Pour les interrogations concernant cet appareil, la garantie, les retours ou les défauts de déclaration veuillez utiliser les détails suivants ci-dessous.

#### DÉPARTEMENT DE SOUTIEN

TEL: 01347 878 887

EMAIL: help@monstershop.co.uk

Para información sobre este dispositivo u otros productos de nuestras divisiones de Monster por favor use los siguientes detalles.

#### DEPARTAMENTO DE VENTAS

TEL: 01347 878 888

EMAIL: hola@monstershop.eu

Para consultas sobre este dispositivo, la garantía, devoluciones o denuncias de fallos por favor use los siguientes detalles.

#### DEPARTAMENTO DE SOPORTE

TEL: 01347 878 887

EMAIL: help@monstershop.co.uk

Für Informationen bezüglich dieses Geräts oder anderer produkte aus unserer Monster-Abteilung, benutzen sie die folgenden unten aufgeführten angaben.

#### VERKAUFABTEILUNG

TEL: 01347 878 888

EMAIL: hallo@monstershop.eu

Für fragen über dieses gerät, die garantie, rückgaben oder bei störungen, benutzen sie die folgenden unten aufgeführten angaben.

#### SUPPORT-ABTEILUNG

TEL: 01347 878 887

EMAIL: help@monstershop.co.uk

Per informazioni riguardanti questo dispositivo o altri prodotti dalle categorie Monster utilizzare i dettagli sotto riportati.

#### DIPARTIMENTO VENDITE

TEL: 01347 878 888

EMAIL: ciao@monstershop.eu

Per domande riguardo dispositivo, garanzia, reso o per riferire di guasti, utilizzare i dettagli sotto riportati.

#### DIPARTIMENTO SUPPORTO

TEL: 01347 878 887

EMAIL: help@monstershop.co.uk

Monster House, Alan Farnaby Way,  
Sheriff Hutton Industrial Estate,  
Sheriff Hutton, York, YO60 6PG  
[www.monstershop.co.uk](http://www.monstershop.co.uk)



 Try **Monster**. Buy **Monster**. Be **Monster**. 