

Firewood & Wellie Rack 24408



MonsterShop

Try **Monster** - Buy **Monster** - Be **Monster**

Specification

Product Description

Thank you for purchasing this Firewood & Wellie Rack.

Get the fire started with this innovative storage option! The Firewood & Wellie Rack keeps your logs off the ground to alleviate mould and protects from damp, whilst the wooden roof and free waterproof rain cover ensures they'll be safe from the elements. But it doesn't stop there--the rack features easily-removable shelves so that you can store your muddy Wellington boots hassle-free. You're sure to receive compliments with this handy, quick-assembly product.

We at Monster Group UK understand this is a new and exciting purchase, and although it is tempting to get stuck in please carefully read these instructions before you start assembly of the product.

Please refer to and read Safety Advice, Safe Working Practice to ensure prevention of injury or damage to the product before starting.

Specification

Product Specifics

	Firewood and Wellie Rack
Dimension (H x W x D)	84cm x 39cm x 39cm
Weight	4.9 KG
Material	Treated, ethically-sourced Fir Wood

Monster Guarantee

If you wish to return a product in perfect working order, we provide a 30 day returns policy as long as the item is unopened and in a resalable condition.

A 12 month warranty applies to all of our products; we will cover the cost of labour and parts. Our policy is to try and repair the item before arranging an exchange or refund.

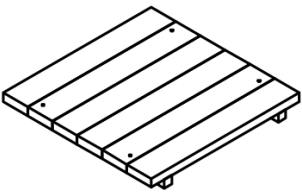
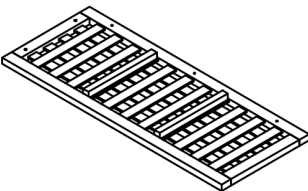
If for any reason a part is missing please get in touch with us within 7 days on receipt of your order. You can contact our friendly and helpful Customer Support Team via email or call. For full terms and conditions contact our Support Department via the details on the Contact Us page.

Monster Group UK's liability will be limited to the commercial value of the product only.

Specification

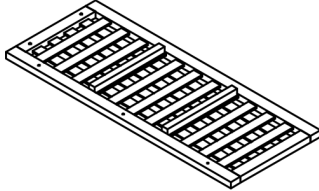
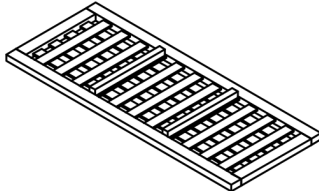
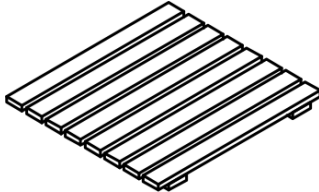
Item Contents

The assembly of this Firewood and Wellie Rack is quick and easy. It is strongly recommended you familiarise yourself with each assembly part before continuing.

Part	Part Name	Quantity	Illustration
1	Base / Roof Panel	2 x	
2	Right Panel	1 x	

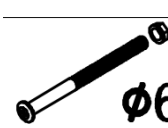


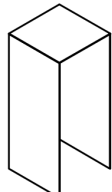
Specification

Item Contents

Part	Part Name	Quantity	Illustration
3	Left Panel	1 x	
4	Back Panel	1 x	
5	Shelves	2 x	

Specification

Item Contents

Part	Part Name	Quantity	Illustration
A	Bolt	8 x	 $\phi 6*50\text{mm}$
B	Screw	6 x	 $\phi 3.5*40\text{mm}$
C	Screw	8 x	 $\phi 3.5*25\text{mm}$
D	Rain Cover	1 x	

User Guide

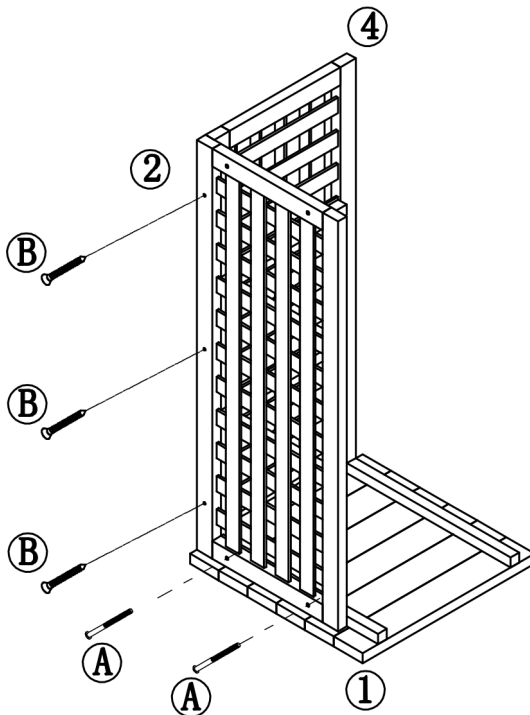
Assembly Instructions

1) First align the Right Panel (2) and the Back Panel (4) onto the Base Panel (1). Ensure the ridges on the Base Panel (4) are facing upright.

2) Once aligned, place 3 x B Screws through the Right Panel (2) into the Back Panel (4).

3) Then place 2 x A Bolts through the Right Panel (2) into the ridge on the Base Panel (1). Check with Image 1 for accuracy.

IMAGE 1:



User Guide

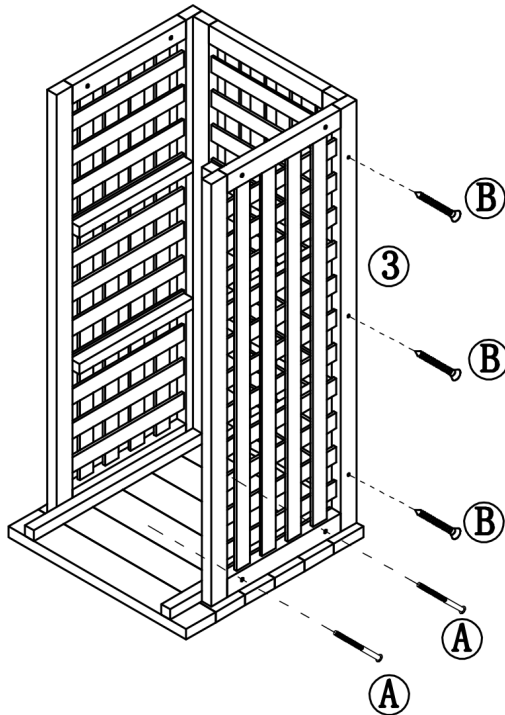
Assembly Instructions

4) Align the Left Panel (3) to the Back Panel (4) and the Base Panel (1).

5) Place 3 x B Screws through the Left Panel (3) into the Back Panel (1).

6) Then place 2 x A Bolts through the Left Panel (3) into the ridge on the Base Panel (1). See Image 2 to check accuracy.

IMAGE 2:

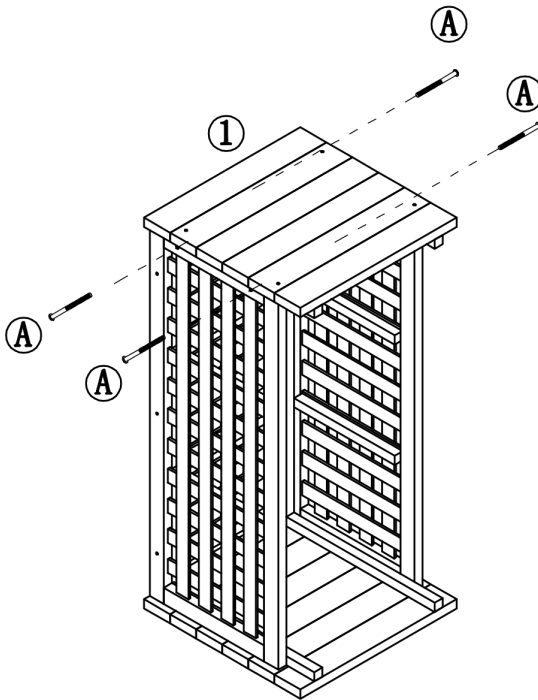


User Guide

Assembly Instructions

7) Now attach the Roof Panel (1) to the structure. Use 4 x A Bolts to tighten into place.

IMAGE 3:



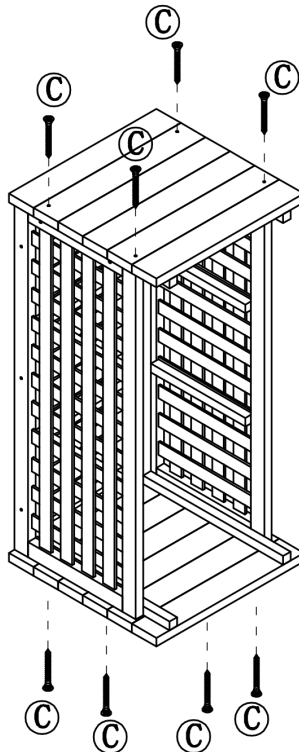
User Guide

Assembly Instructions

8) Now reinforce the structure by placing 4 x C Screws through the Roof Panel (1) into the four corner posts.

9) Turn over the rack and place 4 x C Screws through the Base Panel into the four corner posts. Check again with Image 4 for accuracy.

IMAGE 4:



User Guide

Assembly Instructions

10) The Shelves (5) can now be fitted. They do not require nails and can be easily removed dependent upon your preferences. See Image 5.

11) You can also now attach the Rain Cover (D) by simply unzipping and placing over the rack, as in Image 6.

IMAGE 5:

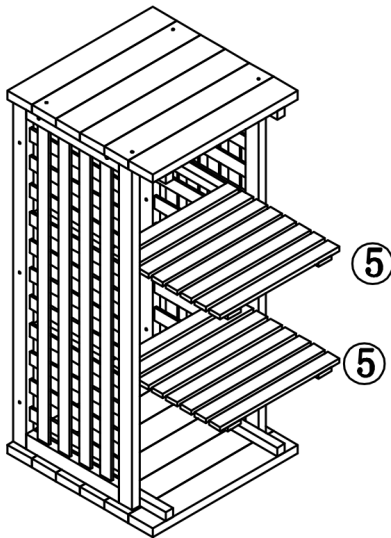
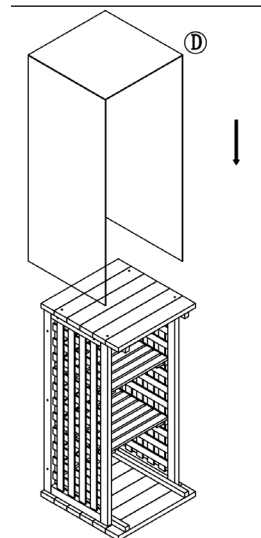


IMAGE 6:



Troubleshooting

Resolution Guide

Please read through the guide below if you have any issues or faults with your item. The information covers and resolves the majority of frequently asked questions.

What do I do if...

Q: ... there are parts missing from my order?

A: If there appears to be any part missing from your package, contact our Customer Support team via the details on the Contact Us page within 7 days of receipt

Q: ... my Firewood and Wellie rack is askew or shaky?

A: The design of the Log and Wellie rack means that it should be solid and square. If it isn't, it's likely it hasn't quite been assembled right. Return to the Assembly Instructions and follow them carefully. Check that all screws and bolts are tight and each panel is flush when screwing together.

For all other issues please contact our Customer Support department via the details on the Contact page.

Safety Advice

Safe Working Practice

The assembly instructions set out in this manual should be strictly adhered to and carefully followed.

You should not attempt to modify or change the assembly or design of this item.



Contact Us

Sales Department

For information regarding this product or other products from our Monster divisions please use the following details below.

Tel: 01347 878888

Email: hello@monstershop.co.uk

Support Department

For queries about this product, warranty, returns or reporting faults please use the following details below.

Tel: 01347 878887

Email: help@monstershop.co.uk

Website

To view our product range and fantastic offers in the Monster Shop division please visit our website

www.monstershop.co.uk

Address

To visit our office--Monster House--to view our products, send postal correspondence, or return items, our address is provided below.

Monster House, Alan Farnaby Way, Sheriff Hutton
Industrial Estate, Sheriff Hutton, York YO60 6PG



Monster Group (UK) is one of the UK's fastest growing online retailers. We supply a diverse range of products which offer exceptional value for money. We strive to provide the best possible customer experience with free UK delivery across all our products and a Monster Guarantee for 100% satisfaction.

Our dedicated customer service team will be more than happy to help with any questions you may have.

Home & Garden
Storage Shelving
Sign & Digital
Retail & Hospitality
Commercial Equipment

Check out all our Monster brands at www.monstershop.co.uk
