

# Double & Triple Wheelie Bin Storage

**24409/24410**



**MonsterShop**

Try **Monster** - Buy **Monster** - Be **Monster**

# Specification

## Product Description

Thank you for purchasing this Wheelie Bin Storage shed.

You are looking out from your window. Your garden is looking splendid. All the time and hard work seems worth it. But the view is hindered, spoiled by unsightly, ugly bins. It's a problem we at Monster Group UK have ourselves, until now!

The Wheelie Bin Storage shed perfectly conceals two or three (depending on your order) 240L UK Standard Wheelie Bins and helps you reclaim your garden! With a quick and easy assemble, lifting lids attached to your bin lids, and treated, ethically-sourced timber that is long-lasting with a great-looking finish, you can feel relieved that you won't have to suffer with those unpleasant views again. We just know you'll love it!

**WARNING: The assembly of this product requires two persons. Do not attempt to undertake assembly alone.**

We at Monster Group UK understand this is a new and exciting purchase, and although it is tempting to get stuck in please carefully read these instructions before you begin the assembly.

**Please refer to and read Safety Advice, Safe Working Practice to ensure prevention of injury or damage to the product before starting.**

# Specification

## Product Specifics

	<b>Double Wheelie Bin Storage</b>	<b>Triple Wheelie Bin Storage</b>
<b>Dimension (H x W x D)</b>	122cm x 149cm x 92cm	120cm x 198cm x 81cm
<b>Weight</b>	26 KG	36 KG
<b>Material</b>	Fir Wood	Fir Wood

## Monster Guarantee

If you wish to return a product in perfect working order, we provide a 30 day returns policy as long as the item is unopened and in a resalable condition.

A 12 month warranty applies to all of our products; we will cover the cost of labour and parts. Our policy is to try and repair the item before arranging an exchange or refund.

If for any reason a part is missing please get in touch with us within 7 days on receipt of your order. You can contact our friendly and helpful Customer Support Team via email or call. For full terms and conditions contact our Support Department via the details on the Contact Us page.

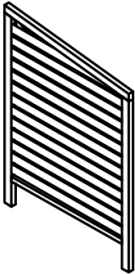
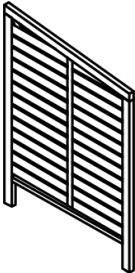
Monster Group UK's liability will be limited to the commercial value of the product only.

# Specification

## Item Contents - Panels

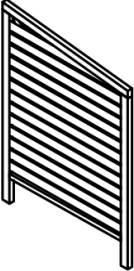
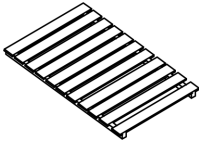
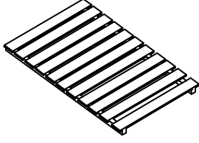
The assembly of both the Double and the Triple Wheelie Bin Storage is very similar. The components, however, are different. For this reason, we have separated the Item Contents and Assembly Instructions for each product.

### Double Wheelie Bin Storage;

Part	Part Name	Quantity	Illustration
1	Right Side Panel	1 x	
2	Centre Panel	1 x	

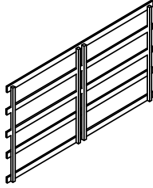
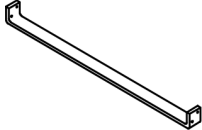
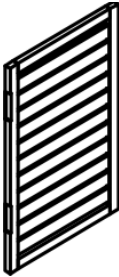
# Specification

## Item Contents - Panels

Part	Part Name	Quantity	Illustration
3	Left Side Panel	1 x	
4	Lid Panel	1 x	
5	Lid Panel	1 x	

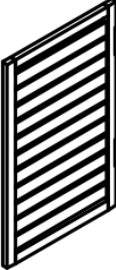
# Specification

## Item Contents - Panels

Part	Part Name	Quantity	Illustration
6	Back Panel	1 x	
7	Base Plate	2 x	
8	Left Door	1 x	


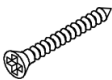
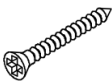
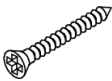
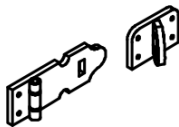

# Specification

## Item Contents - Panels

Part	Part Name	Quantity	Illustration
9	Right Door	1 x	

# Specification

## Item Contents - Pieces

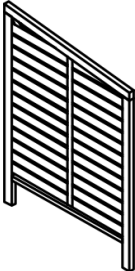
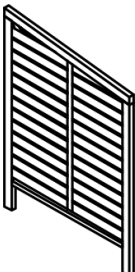
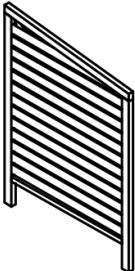
Part	Part Name	Quantity	Illustration
A	Screw	26 x	 $\phi 3*16\text{mm}$
B	Screw	12 x	 $\phi 3.5*20\text{mm}$
C	Screw	8 x	 $\phi 3.5*35\text{mm}$
D	Screw	18 x	 $\phi 3.5*25\text{mm}$
E	Lock Bracket	2 x	
F	Wall Bracket	2 x	



# Specification

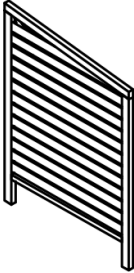
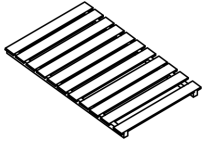
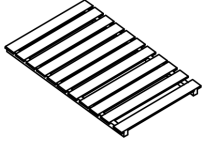
## Item Contents - Panels

Triple Wheelie Bin Storage;

Part	Part Name	Quantity	Illustration
1	Right Side Panel	1 x	
2	Centre Panel	1 x	
3	Centre Panel	1 x	

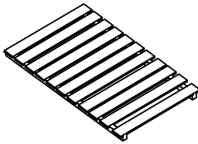
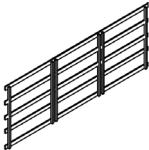
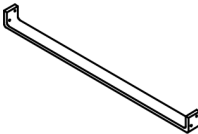
# Specification

## Item Contents - Panels

Part	Part Name	Quantity	Illustration
4	Left Side Panel	1 x	
5	Lid Panel	1 x	
6	Lid Panel	1 x	

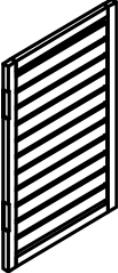
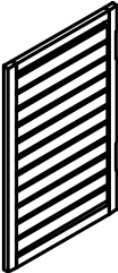
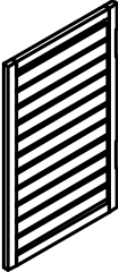
# Specification

## Item Contents - Panels

Part	Part Name	Quantity	Illustration
7	Lid Panel	1 x	
8	Back Panel	1 x	
9	Base Plate	3 x	

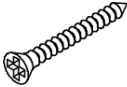
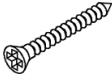
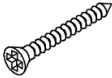
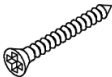
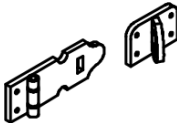

# Specification

## Item Contents - Panels

Part	Part Name	Quantity	Illustration
10	Left Door	1 x	
11	Centre Door	1 x	
12	Right Door	1 x	

# Specification

## Item Contents - Panels

Part	Part Name	Quantity	Illustration
A	Screw	39 x	 $\phi 3*16\text{mm}$
B	Screw	16 x	 $\phi 3.5*20\text{mm}$
C	Screw	12 x	 $\phi 3.5*35\text{mm}$
D	Screw	24 x	 $\phi 3.5*25\text{mm}$
E	Lock Bracket	3 x	
F	Wall Bracket	2 x	

# User Guide

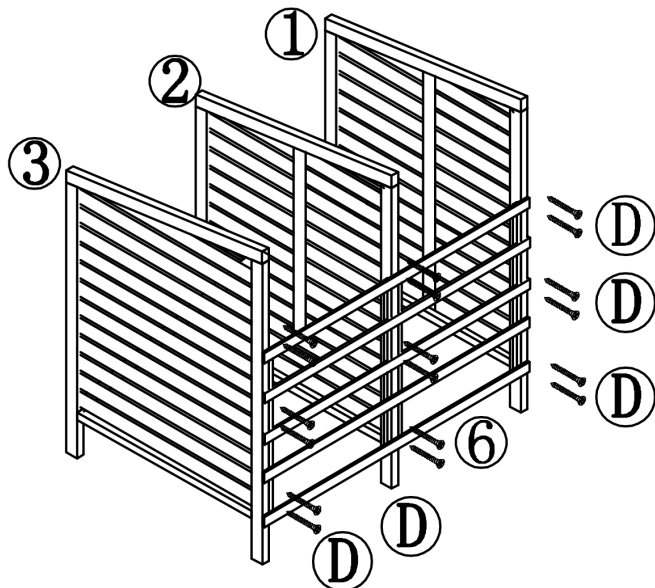
## Assembly Instructions

### Double Wheelie Bin Storage;

1) 1) Align the Right Side Panel (1), Left Side Panel (3) and Centre Panel (2) as in Image 1. Use the Back Panel (6) to connect all three panels and use 6 x D Screws per panel to attach. If you look carefully at Image 6, you will notice the Back Panel (6) has five arms on either side. The screws must be attached by the top, bottom, and middle arm.

NOTE: Check that you have used 18 x D Screws in total, as in Image 1.

IMAGE 1:

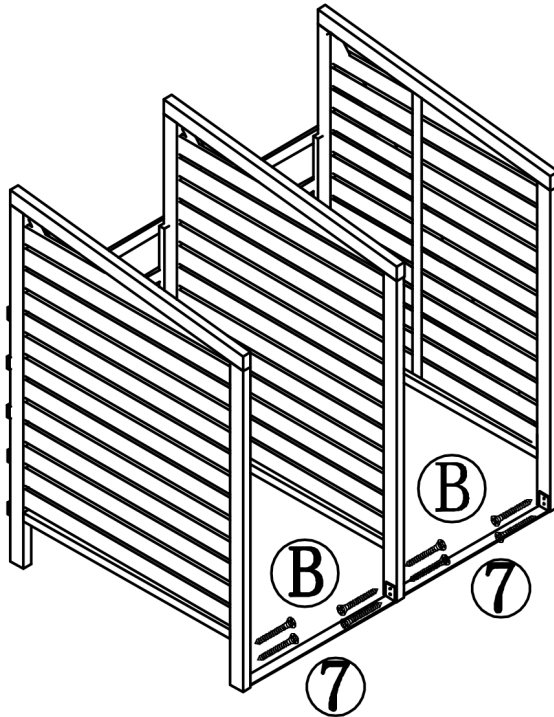


# User Guide

## Assembly Instructions

3) Now that the three main panels are connected from the back, use 2 x Base Plates (7) and place them between each panel at the front. Align and use 4 x B Screws per Base Plate. Use 8 x B Screws in total for this section. See Image 2 to check your progress.

IMAGE 2:



# User Guide

## Assembly Instructions

4) Place the first Lid Panel (4) on top of the Right Side Panel (1) and Centre Panel (2). Using 4 x C Screws, tighten into place. Look at Image 3. The lid is attached at the back of the storage shed. See Image 3A. This is where you need to place the screws. Repeat this process for the next Lid Panel (5).

IMAGE 3:

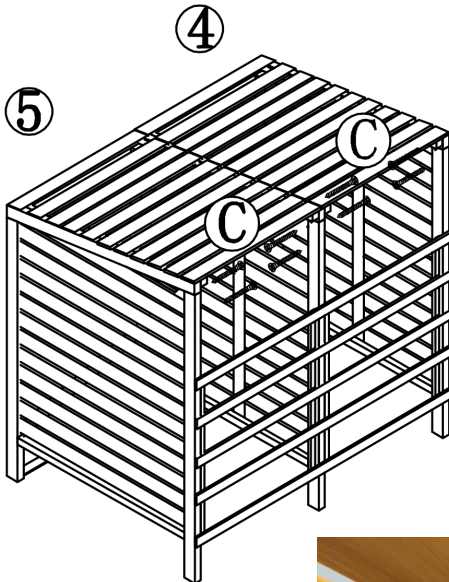


IMAGE 3A:





# User Guide

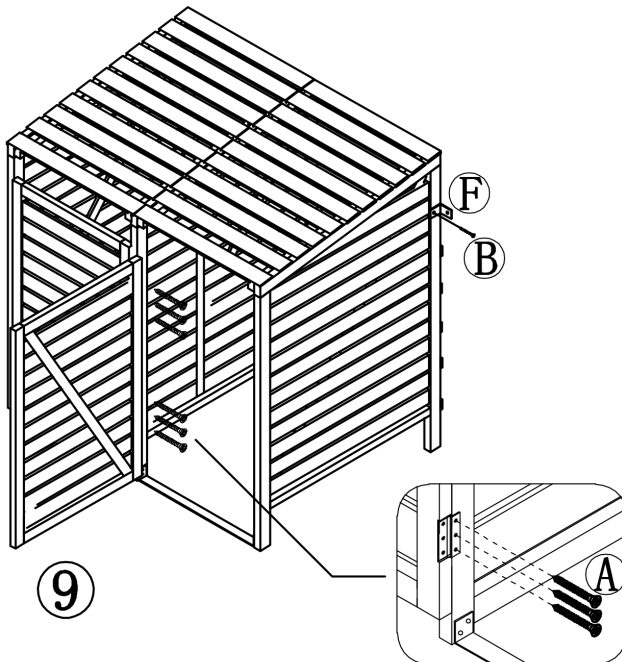
## Assembly Instructions

6) When attaching the doors, note that the hinges sit inside the Centre Panel (2) and the doors swing outwards from the Centre Panel. Align the Right Door (9) and use 6 x A Screws to attach. Repeat to attach the Left Door (8), remembering to attach the hinge from within the Centre Panel (2).

See Image 4 for reference.

**NOTE:** If necessary, you can attach the Wheelie Bin Storage to another surface to ensure it remains sturdy and in place. To do so, use 4 x B Screws to attach the Wall Brackets to the structure, then use 4 x B Screws to attach to another surface.

IMAGE 4:



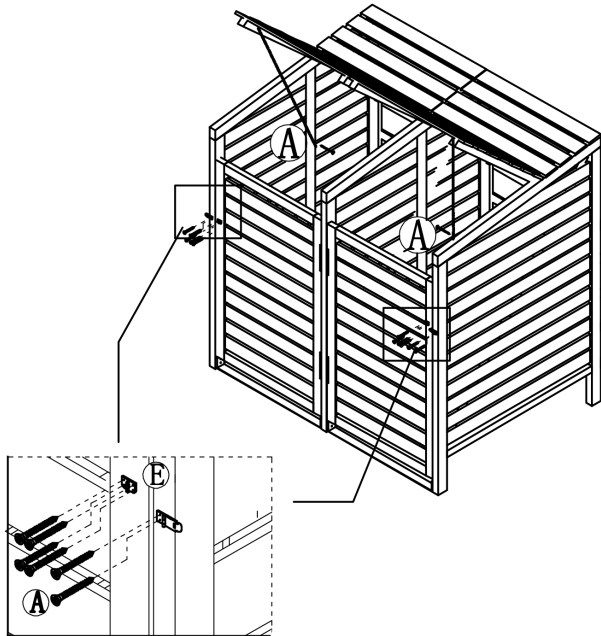
# User Guide

## Assembly Instructions

7) Now attach the Lid Chain by using 1 x A Screw per chain into the appropriate panel. See Image 5 for reference.

8) To attach the Lock Brackets (E), first connect the Lock Bases to the Left and Right Side Panel (1 & 3) using 4 x A Screws each. (8 x A Screws in total). Then attach the Lock mechanisms to the Left and Right Doors (8 & 9) using 2 x A Screws each. (4 x A Screws in total). See Image 5 for reference.

**IMAGE 5:**



**Your Double Wheelie Bin Storage is now ready for use!**

# User Guide

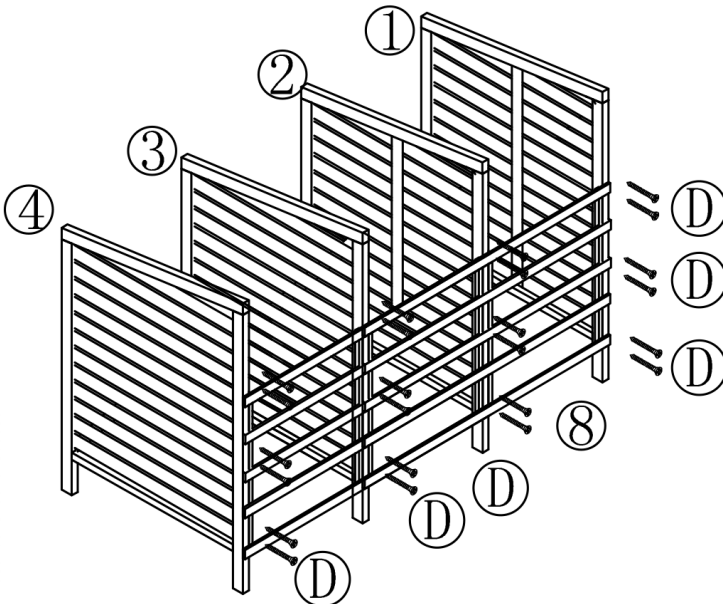
## Assembly Instructions

### Triple Wheelie Bin Storage;

1) Align the Right Side Panel (1), Left Side Panel (4) and both Centre Panels (2 & 3) as in Image 6. Use the Back Panel (8) to connect all four panels and use 6 x D Screws per panel to attach. If you look carefully at Image 6, you will notice the Back Panel (8) has five arms on either side. The screws must be attached by the top, bottom, and middle arm.

NOTE: Check that you have used 24 x D Screws in total, as in Image 6.

IMAGE 6:

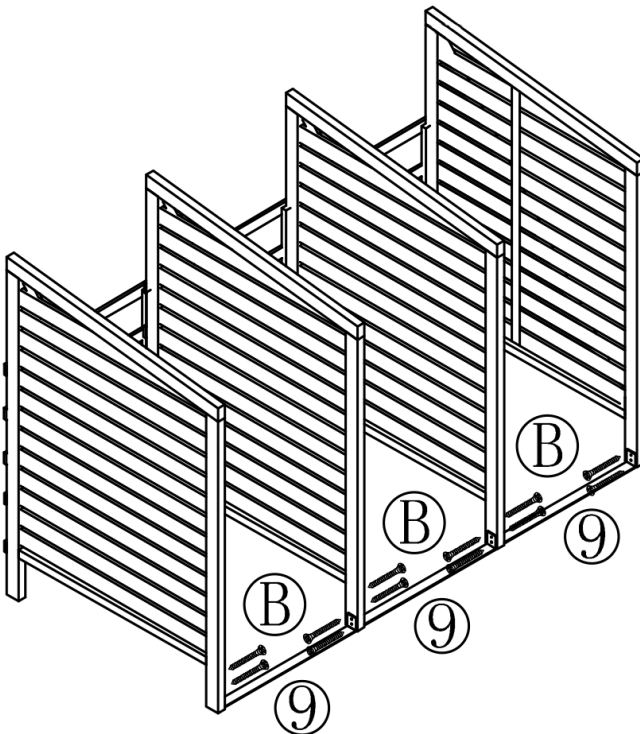


# User Guide

## Assembly Instructions

2) Now that the four main panels are connected at the back, use the 3 x Base Plates (9) and place them between each panel at the front. Align and use 4 x B Screws per Base Plate. Use 12 x B Screws in total for this section. See Image 7 to check your progress.

IMAGE 7:



# User Guide

## Assembly Instructions

3) Now connect the Lid Panels (5, 6, & 7). Place the first Lid Panel on top of the Right Side Panel (1) and the first Centre Panel (2).

Using 4 x C Screws, screw into place. Look at Image 8. The lid is attached at the back of the storage shed. See Image 8A. This is where you need to place the screws. Repeat this process for the remaining Lid Panels. ⑤

IMAGE 8:

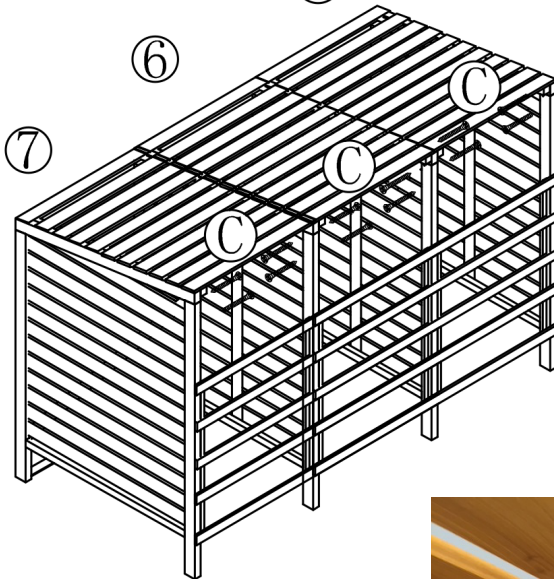


IMAGE 8A:



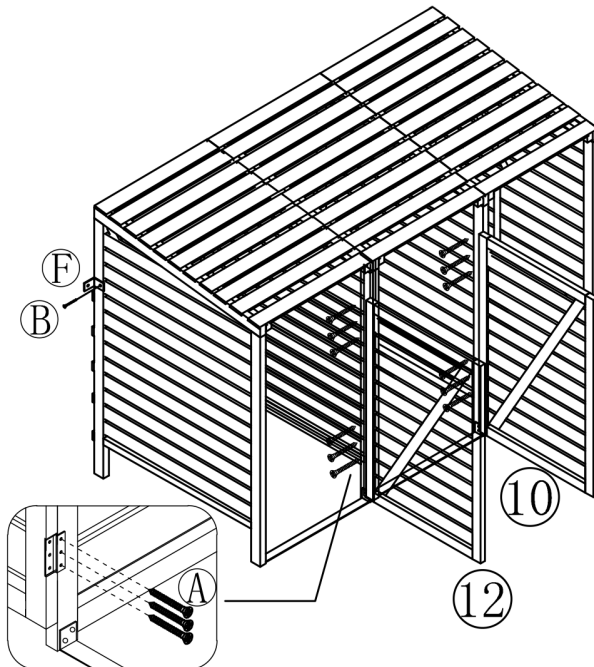
# User Guide

## Assembly Instructions

5) When attaching the doors, note that the doors swing outwards from the Centre Panels (2 & 3). Align the Right Door (12) and use 6 x A Screws to attach. Repeat to attach the Left Door (10) and Centre Door 11), remembering to attach the hinge from within the Centre Panels (3 & 4). See Image 4 for reference.

**NOTE:** If necessary, you can attach the Wheelie Bin Storage to another surface to ensure it remains sturdy and in place. To do so, use 4 x B Screws to attach the Wall Brackets to the structure, then use 4 x B Screws to attach to another surface.

IMAGE 9:



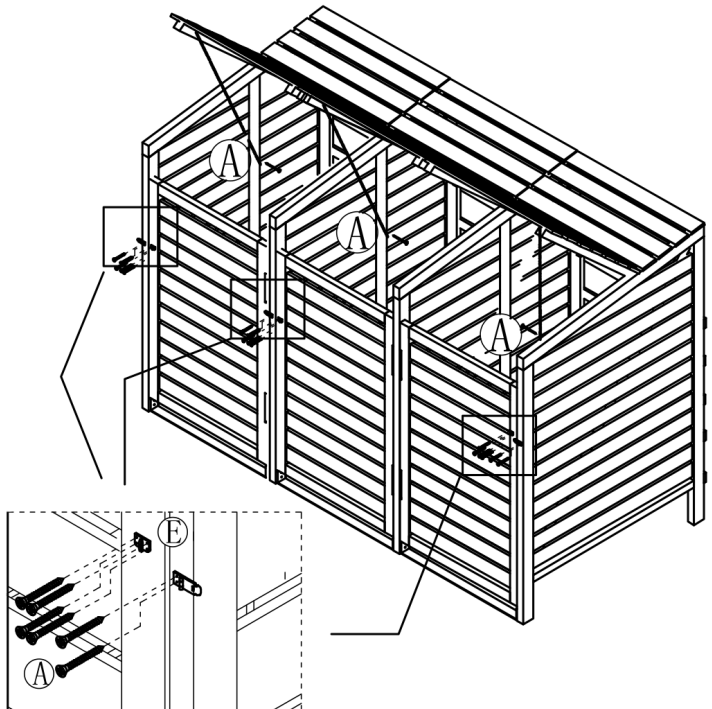
# User Guide

## Assembly Instructions

6) Now attach the Lid Chain by using 1 x A Screw per chain into the appropriate panel. See Image 10.

7) To attach the Lock Brackets (E), first connect the Lock Bases to the panel left of the Left Door (10) and Centre Door (11), and to the panel right of the Right Door (12) using 4 x A Screws each. (12 x A Screws in total). Check with Image 10 for accuracy. Attach the Lock mechanisms directly on all three doors (10, 11, 12) using 2 x A Screws each. (6 x A Screws in total). See Image 10 for reference.

**IMAGE 10:**



# Troubleshooting

## Resolution Guide

Please read through the guide below if you have any issues or faults with your device. The information covers and resolves the majority of frequently asked questions.

What do I do if...

**Q: ... there are parts missing from my order?**

A: If there appears to be any part missing from your package, contact our Customer Support team via the details on the Contact Us page within 7 days of receipt

**Q: ... my Bin Storage unit is askew or shaky?**

A: The design of the Storage Bins means that it should be solid and square. If it isn't, it's likely it hasn't quite been assembled right. Return to the Assembly Instructions and follow them carefully. Tighten screws as much as possible, and ensure you are assembling with at least 1 other person.

**Q: ... the parts do not go together well?**

A: Check that you have followed the instructions accurately. It is generally considered best practice to ensure the panels go together and are flush before screwing into place. This can also enhance rigidity.

**Q: ... I want to put my Bin Storage unit outdoors?**

A: The material of this Bin Storage is treated FSC timber, meaning it's suitable for outdoor use and will cope well with rain, wind, and other conditions.

For all other issues please contact our Customer Support department via the details on the Contact page.



# Safety Advice

## Safe Working Practice

**Please read through the safe working practice to ensure prevention of injury or damage to the structure.**

The assembly instructions set out in this manual should be strictly adhered to and carefully followed.

You should always work alongside another when assembling and lifting this item. Never attempt to lift the item unaided.

You should not attempt to modify or change the assembly or design of this item.



# Contact Us

## Sales Department

For information regarding this product or other products from our Monster divisions please use the following details below.

Tel: 01347 878888

Email: [hello@monstershop.co.uk](mailto:hello@monstershop.co.uk)

## Support Department

For queries about this product, warranty, returns or reporting faults please use the following details below.

Tel: 01347 878887

Email: [help@monstershop.co.uk](mailto:help@monstershop.co.uk)

## Website

To view our product range and fantastic offers in the Monster Shop division please visit our website.

[www.monstershop.co.uk](http://www.monstershop.co.uk)

## Address

To visit our office Monster House and view our products, send postal correspondence or return items our address is provided below.

Monster House, Alan Farnaby Way, Sheriff Hutton  
Industrial Estate, Sheriff Hutton, York YO60 6PG



---

Monster Group (UK) is one of the UK's fastest growing online retailers. We supply a diverse range of products which offer exceptional value for money. We strive to provide the best possible customer experience with free UK delivery across all our products and a Monster Guarantee for 100% satisfaction.

Our dedicated customer service team will be more than happy to help with any questions you may have.

Home & Garden  
Storage Shelving  
Sign & Digital  
Retail & Hospitality  
Commercial Equipment

**Check out all our Monster brands at [www.monstershop.co.uk](http://www.monstershop.co.uk)**

---