



RATTAN CORNER DINING SET

25260 / 25261 / 25262

INSTRUCTION MANUAL

www.monstershop.co.uk



SPECIFICATION

PRODUCT DESCRIPTION

Thank you for purchasing this Rattan Corner Dining Set, the perfect garden accessory. This fashionable set provides an ample seating area, ideal for large gatherings and parties. It is also low maintenance and easily cleaned with a damp cloth.

With a free rain cover, the Rattan Corner Dining Set is protected from all inclement weather and climates, the set also contains UV stabilisers to protect it from the sun.

Please refer to and read the Safe Working Practice to ensure prevention of injury or damage to the device before starting.

PRODUCT SPECIFICS

TABLE DIMS.:	700 x 1200 x 660mm
L SHAPED SOFA DIMS.:	1800 x 2400 x 700mm
STOOL DIMS.:	400 x 400 x 330mm
SEAT CUSHION THICKNESS:	50mm
BACK CUSHION THICKNESS:	50mm

ITEM CONTENTS

19 x ø6 x 50mm Nut and Bolt (Large) A	3 x Sofa Front Panel 5
24 x ø6 x 25mm Screws (Small) B	3 x Sofa Seat Panel 6
52 x Washer C	6 x Sofa Seat Cushion 7
24 x ø6 x 35mm Screws (Medium) D	6 x Sofa Back Cushion 8
1 x ø4 Allen Key	<hr/>
1 x Spanner	2 x Table Leg 9
12 x Corner Feet	1 x Glass Table Top 10
4 x C Clip	1 x Table Top Base 11
<hr/>	<hr/>
3 x Sofa Long Back Piece 1	6 x Stool Legs 12
1 x Sofa Short Back Piece 2	6 x Stool Sides 13
2 x Armrest 3	3 x Stool Tops 14
2 x Sofa End Panel 4	3 x Stool Cushions 15
	<hr/>
	1 x Rain Cover

SAFETY ADVICE

SAFE WORKING PRACTICE

Please read through the Safe Working Practice to ensure prevention of injury or damage to the device.

Do not use this product for anything other than its intended purposes.

Ensure you have read and fully understood the instruction manual and safety advice before using this product.

Do not apply bodyweight to this product before it is installed.

Keep small parts away from children.

Ensure this product is fitted correctly.

Use this product on a flat surface.

Do not expose this product to fire.

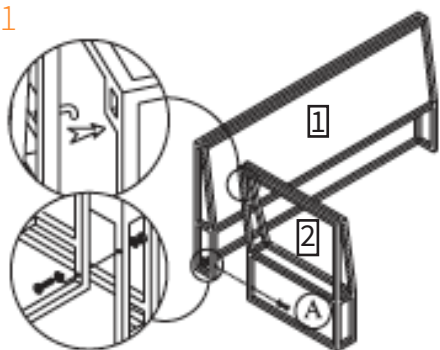
Do not allow this product to get excessively hot.

USER GUIDE

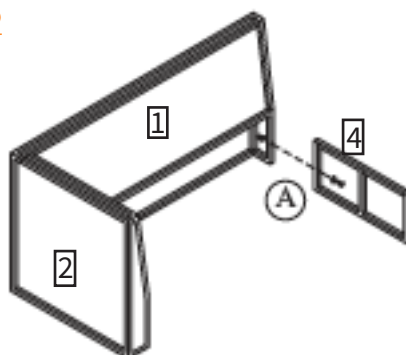
ASSEMBLY INSTRUCTIONS

MIDDLE/CORNER SOFA ASSEMBLY

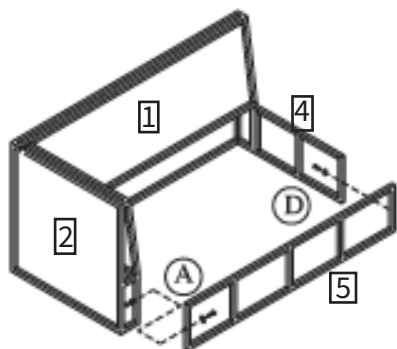
1



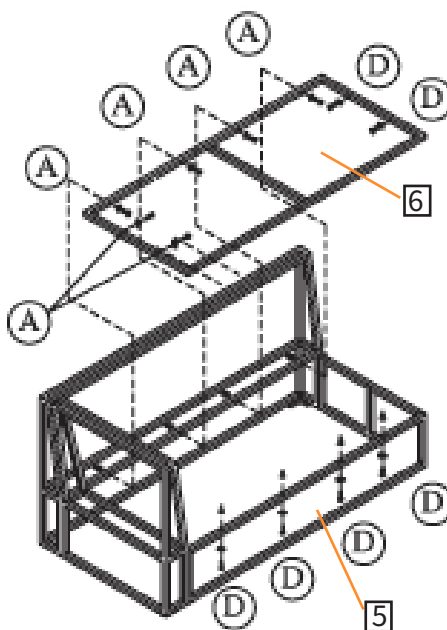
2



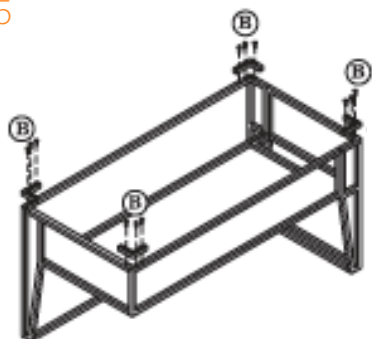
3



4



5



USER GUIDE

ASSEMBLY INSTRUCTIONS

MIDDLE/CORNER SOFA ASSEMBLY

Please Note: It is recommended to use the diagrams as a guide.

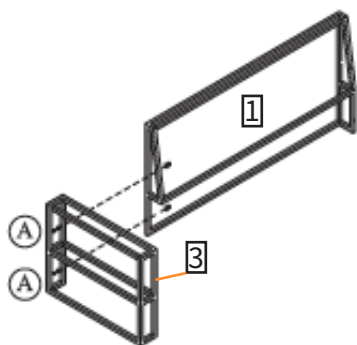
- 1 Use the 50mm nut and bolts (A) to attach the short back peice (2) of the sofa to the long back peice (1). Use washers (C) to help reduce wear and tear in the nuts and bolts.
- 2 Attach the sofa end panel (4) to the long back peice (1) using the 50mm nut and bolts (A). Use the washers (C) here again.
- 3 Take the front panel of the sofa (5) and place it in front of the end panel (4) and short back peice (2). Please refer to the diagram for the correct fixings to use.
- 4 Once you have a full base, take the sofa seat panel (6) and place it on top as per the diagram. It should sit flush on top of the end panel (4) and front panel (5). It will require bolting into the long sofa peice (1) and short sofa peice (2).
- 5 Ensure all bolts are tightened and flip the unit over, using caution as to not cause damage to the material. Take the corner feet and use the 25mm screws (B) to attatch them to the base. Once completed, turn the unit back around.

USER GUIDE

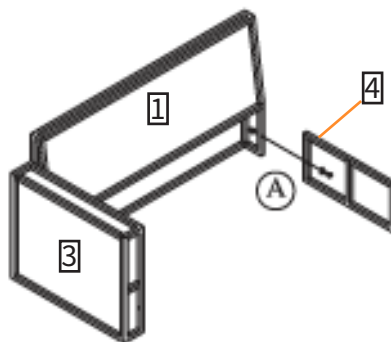
ASSEMBLY INSTRUCTIONS

END SOFA ASSEMBLY

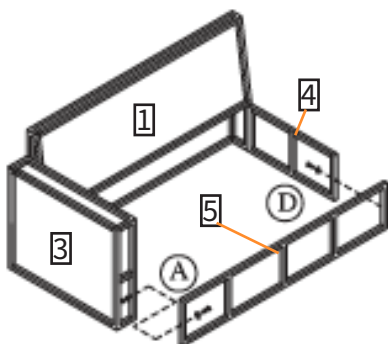
1



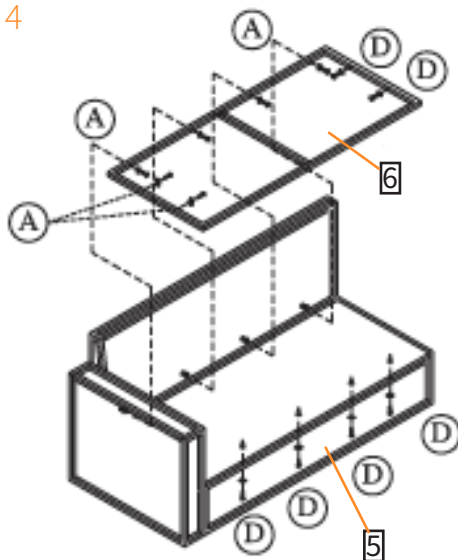
2



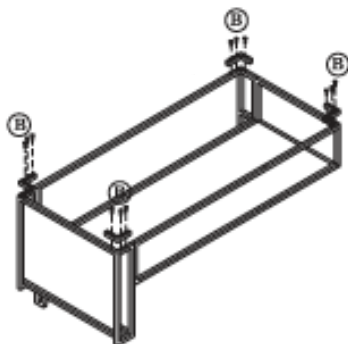
3



4



5



USER GUIDE

ASSEMBLY INSTRUCTIONS

END SOFA ASSEMBLY

Please Note: It is recommended to use the diagrams as a guide.

- 1 Use the 50mm nut and bolts (A) to attach the arm rest panel (3) of the sofa to the long back peice (1).
- 2 Attach the sofa end panel (4) to the long back peice (1) using the 50mm nut and bolts (A). Use the washers (C) to help reduce wear and tear in the nuts and bolts.
- 3 Take the front panel of the sofa (5) and place it in front of the end panel (4) and arm rest(3). Please refer to the diagram for the correct fixings to use.
- 4 Once you have a full base, take the sofa seat panel (6) and place it on top as per the diagram. It should sit flush on top of the end panel (4) and front panel (5). It will require bolting into the long sofa peice (1) and arm rest (2).
- 5 Ensure all bolts are tightened and flip the unit over, using caution as to not cause damage to the material. Take the corner feet and use the 25mm screws (B) to attach them to the base. Once completed, turn the unit back around.



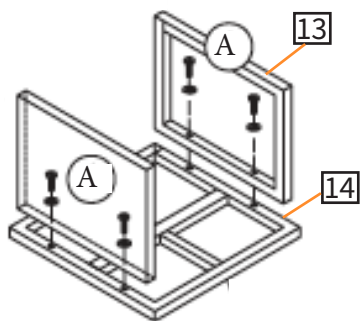
Please Note: This process needs to be repeated for the third section of the sofa, but the arm needs to go on the opposite/right hand side of the seat.

USER GUIDE

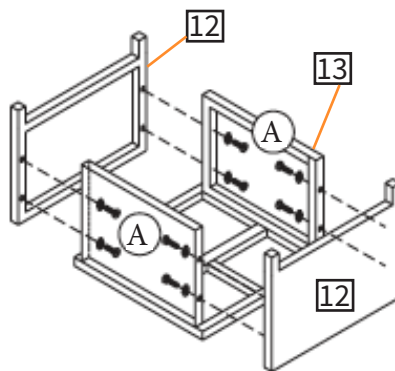
ASSEMBLY INSTRUCTIONS

STOOL ASSEMBLY

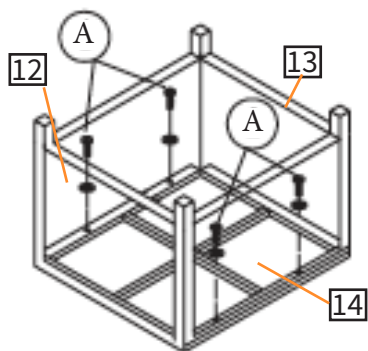
1



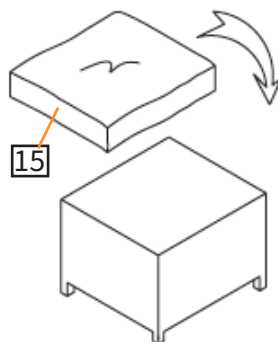
2



3



4



USER GUIDE

ASSEMBLY INSTRUCTIONS

STOOL ASSEMBLY

Please Note: It is recommended to use the diagrams as a guide.

- 1 Turn the stool top (14) upside down. Place the stool sides (13) onto opposite sides of the stool top (14). Use the 50mm nuts and bolts (A) as labelled on the diagram. Remember to use the washers (C) to reduce the wear and tear on the nuts and bolts.
- 2 Take the stool legs (12) and fix them to the stool sides (13) using the 50mm nuts and bolts (A).
- 3 Use the 50mm nuts and bolts (A) to fix the stool legs (12) to the stool top (14)
- 4 Once you have a completed stool, turn the unit over and place the stool cushion (15) on top.



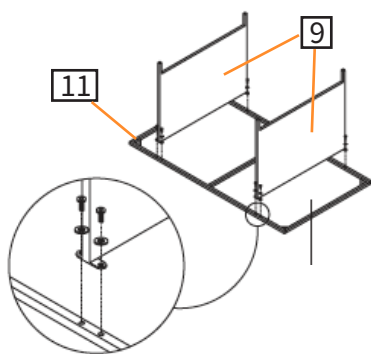
Please Note: This process needs to be repeated three times.

USER GUIDE

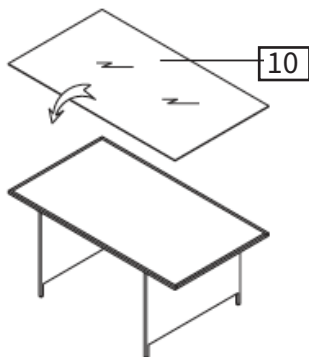
ASSEMBLY INSTRUCTIONS

TABLE ASSEMBLY

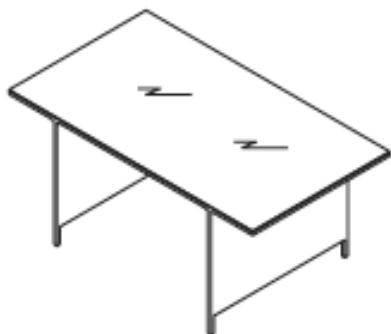
1



2



3



USER GUIDE

ASSEMBLY INSTRUCTIONS

TABLE ASSEMBLY

Please Note: It is recommended to use the diagrams as a guide.

- 1 Turn the table top base (11) upside down. Take the table legs (9) and attach it to the table top base using the 25mm screws (B). Use a washer here to avoid wear and tear on the material within the fixings.
- 2 Make sure you tighten the screws (B) to ensure they are properly attached to the table top base (11). Once this is done, turn the table top base (11) with attached legs (9) so that it is the correct way around.
- 3 Take extra precaution when handling the glass table top (10). Each corner is protected by a black plastic packing peice. Remove the two screws from the packing peice. Carefully lift the corner to remove the packing peice. Moisten the suction cup before lowering the glass, apply a small amount of pressure to the top to ensure it is stuck down.

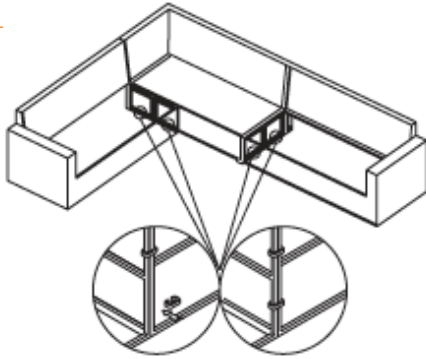
The table is now complete!

USER GUIDE

ASSEMBLY INSTRUCTIONS

CONNECTING THE SOFA SECTIONS

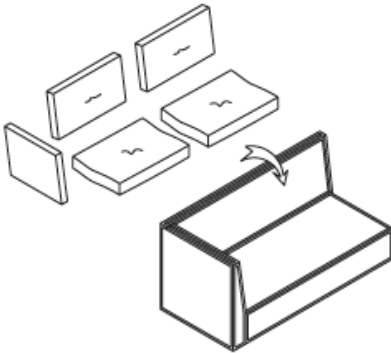
1



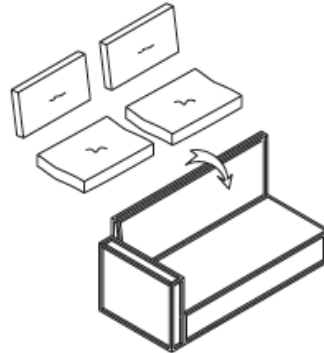
Please Note: The clips need to be attached to the bottom frame of the sofas, one clip per space.

The cushions can now be placed onto the sofa sections.

2



3



MAINTENANCE

- Place the rain cover over the furniture when it is not in use to ensure the furniture and table does not get wet.
- Make sure the C-Clips secure the sofa sections together at all times.
- Check screws and bolts regularly to ensure the table top, stool and sofa components do not move.

TROUBLESHOOTING

RESOLUTION GUIDE

WHAT DO I DO IF THERE ARE MISSING PARTS FROM MY ORDER?

If there appears to be any part missing from your order, contact our friendly and helpful Customer Support Team within 7 days of receipt.

WHAT DO I DO IF THE FURNITURE STARTS TO WOBBLE/MOVE?

The screws and bolts need to be checked regularly to ensure they are tight and secure. Retighten any screws or bolts that are moving or loose.

WHAT DO I DO IF THE SOFA SECTIONS START TO SEPARATE?

The C-Clips need to be checked regularly to ensure they are tight and secure. Replace any C-Clips that are broken and reattach any that are loose.

**FOR ALL OTHER ISSUES, PLEASE CONTACT OUR
CUSTOMER SUPPORT TEAM.**

Monster Group (UK) is one of the UK's fastest growing online retailers. We supply a diverse range of products which offer exceptional value for money. We strive to provide the best possible customer experience with free UK delivery across all our products and a Monster Guarantee for 100% satisfaction.

For information regarding this device or other products from our Monster divisions please contact Sales.

SALES

TEL: 01347 878 888

EMAIL: hello@monstershop.co.uk

For queries about this device, warranty, returns or reporting faults please contact Support.

SUPPORT

TEL: 01347 878 887

EMAIL: help@monstershop.co.uk

Pour plus d'informations concernant cet appareil ou d'autres produits de nos divisions de Monster veuillez utiliser les détails suivants ci-dessous.

DÉPARTEMENT COMMERCIAL

TEL: 01347 878 888

EMAIL: bonjour@monstershop.eu

Pour les interrogations concernant cet appareil, la garantie, les retours ou les défauts de déclaration veuillez utiliser les détails suivants ci-dessous.

DÉPARTEMENT DE SOUTIEN

TEL: 01347 878 887

EMAIL: help@monstershop.co.uk

Para información sobre este dispositivo u otros productos de nuestras divisiones de Monster por favor use los siguientes detalles.

DEPARTAMENTO DE VENTAS

TEL: 01347 878 888

EMAIL: hola@monstershop.eu

Para consultas sobre este dispositivo, la garantía, devoluciones o denuncias de fallos por favor use los siguientes detalles.

DEPARTAMENTO DE SOPORTE

TEL: 01347 878 887

EMAIL: help@monstershop.co.uk

Für Informationen bezüglich dieses Geräts oder anderer produkte aus unserer Monster-Abteilung, benutzen sie die folgenden unten aufgeführten angaben.

VERKAUFSABTEILUNG

TEL: 01347 878 888

EMAIL: hallo@monstershop.eu

Für fragen über dieses gerät, die garantie, rückgaben oder bei störungen, benutzen sie die folgenden unten aufgeführten angaben.

SUPPORT-ABTEILUNG

TEL: 01347 878 887

EMAIL: help@monstershop.co.uk

Per informazioni riguardanti questo dispositivo o altri prodotti dalle categorie Monster utilizzare i dettagli sotto riportati.

DIPARTIMENTO VENDITE

TEL: 01347 878 888

EMAIL: ciao@monstershop.eu

Per domande riguardo dispositivo, garanzia, reso o per riferire di guasti, utilizzare i dettagli sotto riportati.

DIPARTIMENTO SUPPORTO

TEL: 01347 878 887

EMAIL: help@monstershop.co.uk

Monster House, Alan Farnaby Way,
Sheriff Hutton Industrial Estate,
Sheriff Hutton, York, YO60 6PG
www.monstershop.co.uk



 Try **Monster**. Buy **Monster**. Be **Monster**. 