



# DOUBLE WHEELIE BIN STORAGE

25730 / 25750

INSTRUCTION MANUAL

[www.monstershop.co.uk](http://www.monstershop.co.uk)



# SPECIFICATION

## PRODUCT DESCRIPTION

Thank you for purchasing this MonsterShop Wheelie Bin Storage, the stylish option to keep your bins neat and tidy. Easily fit up to two 240L bins in this Double Bin Storage and keep your outdoor space organised.

The chain and latch ensure that removing and returning your bins is always quick and simple. For that added peace of mind, you can secure your Wheelie Bin Storage to your shed or fence using the FREE fixing kit provided.

## PRODUCT SPECIFICS

COLOUR:	Washed Grey/Sage Green
MATERIAL:	Fir Wood
DIMENSIONS FULLY ASSEMBLED:	122 (H) x 149 (W) x 92.5 (D) cm
NET WEIGHT:	27KG
GROSS WEIGHT:	30KG

## ITEM CONTENTS

Wooden Panels:

- 2 x Lid Pieces
- 1 x Left Side Piece
- 1 x Right Side Piece
- 2 x Door Pieces
- 1 x Back Piece
- 1 x Divider Piece

Screws and Brackets:

- 2 x Brackets
- 4 x Door Hinges
- 2 x Latch Pieces
- 26 x 3\*16 screws
- 12 x 3.5\*20 screws
- 15 x 3.5\*25 screws
- 8 x 3.5\*35 screws
- 2 x Metal Bars

# SPECIFICATION

## PRODUCT FEATURES

- A. Lid Piece
- B. Left Side Piece
- C. Right Side piece
- D. Door Piece
- E. Back Piece
- F. Divider Piece



Monster Group UK Limited's liability will be limited to the commercial value of the product only.

# SAFETY ADVICE

## SAFE WORKING PRACTICE

Please read through the safe working practice to ensure prevention of injury or damage to the device.

Do not use this product for anything other than its intended purpose.

Ensure that you have read and fully understood the instruction manual and safety advice before using this product.

Do not sit, stand or lean on this product.

Ensure this product is fitted correctly.

Assemble this product in line with the instruction manual.

We recommend that this product is assembled by two people.

Keep small parts away from children.

This product is unsuitable for storage of flammable or corrosive substances.

Hot items such as recently used grills, blowtorches etc. must not be stored in the product.

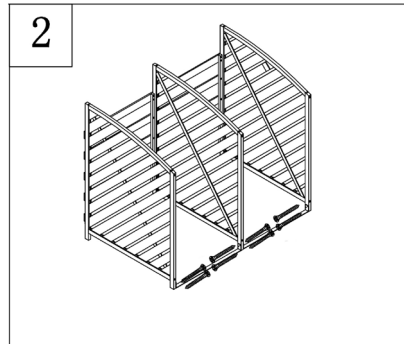
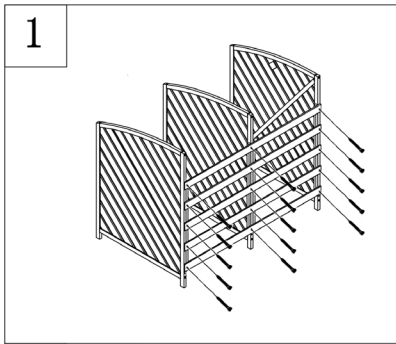
Ensure that you take care around sharp edges on this product.

# USER GUIDE

## ASSEMBLY INSTRUCTIONS

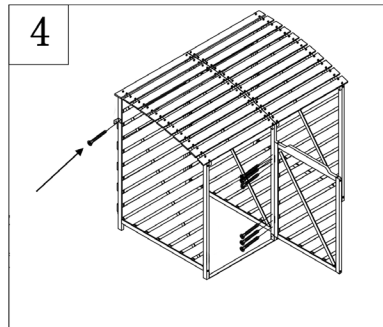
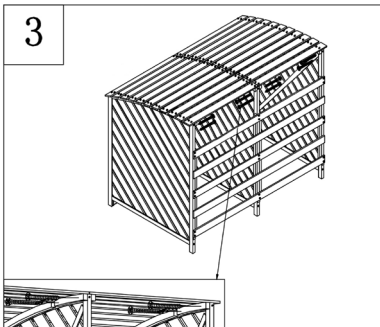
**Step One:** Take the left side piece (Part. B) and line this up with the pre-drilled holes on the back piece (Part. E) as demonstrated in diagram 1. To secure this into place, use the 3.5\*25 screws provided. Repeat for the right side piece (Part. C) and for the divider piece in the middle (Part. F).

**Step Two:** Take the two metal bars and place these on the opposite side to the back piece (Part. E) along the bottom as shown in diagram 2. Insert the 3.5\*20 screws into the pre-drilled holes to secure into place.



**Step Three:** To attach the lid pieces (Part. A), place these onto the top of the side panels one at a time as shown in diagram 3 and insert the 3.5\*35 screws into the pre-drilled holes underneath.

**Step Four (Optional):** Should you wish to secure the Wheelie Bin Storage to your shed or fence, place the two brackets onto either side of the storage unit as demonstrated in diagram 4 and secure into place with 3.5\*20 screws.

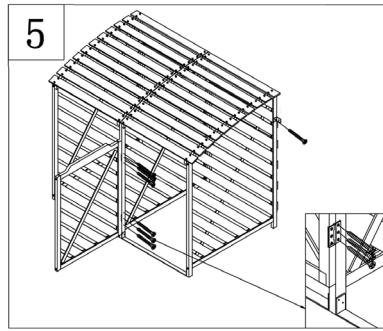
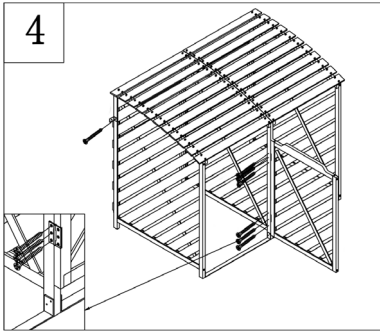


# USER GUIDE

## ASSEMBLY INSTRUCTIONS

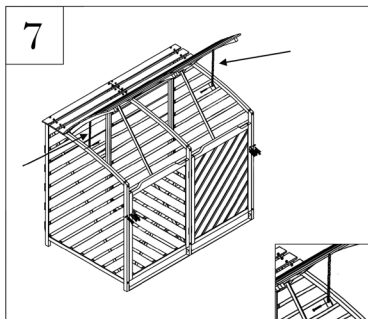
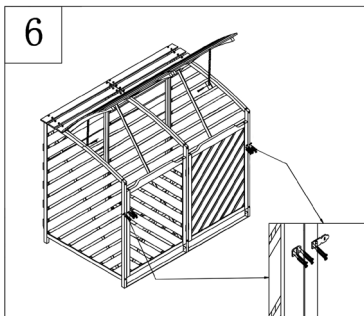
**Step Five:** To secure the door piece (Part. D) to the Wheelie Bin Storage, place one of the door hinges onto the **centre panel** and door at the top as shown in diagram 4 and screw into place using 3\*16 screws into each pre-drilled hole. Repeat this step with the door hinge at the bottom of the panel.

**Step Six:** To attach the other door and brackets into place, repeat step five on the other side of the **centre panel** - see diagram 5. Ensure that the brackets and door hinges on either side are placed onto the unit the same distance apart.



**Step Seven:** To attach the latch, mark the desired position onto the divider panel as shown in diagram 6. Line up the two parts of the latch **onto the door** on the line you have just made and screw into place using the provided 3\*16 screws.

**Step Eight:** To fix the chain onto the Wheelie Bin Storage lid, lift the lid up and secure by screwing the chain onto the adjacent side panel using a 3\*16 screw; see diagram 7 for reference. Repeat for the other Wheelie Bin lid.



# TROUBLESHOOTING

## RESOLUTION GUIDE

### WHAT DO I DO IF THERE ARE MISSING PARTS FROM MY ORDER?

If there appears to be any part missing from your order, contact our friendly and helpful Customer Support Team within 7 days of receipt.

### Q: WHAT DO I DO IF THE SCREWS AREN'T FITTING INTO THE PRE-DRILLED HOLES CORRECTLY?

A: Check to see if there is any sawdust or debris in the holes. This will need to be removed before building commences. Use gloves to remove any debris in case any wood splinters are present.

### Q: WHAT IF MY BIN STORAGE DOESN'T FIT TOGETHER PROPERLY/ DOESN'T APPEAR STABLE?

A: If the product doesn't appear to fit together correctly, please check all fixings are tightened.

B: If the product doesn't appear stable, either attach to a fence or shed using the provided brackets, or, if previously done so, check the fixings are tightened.

**FOR ALL OTHER ISSUES, PLEASE CONTACT OUR  
CUSTOMER SUPPORT TEAM.**