



# TILE CUTTER TABLES

720mm, 920mm, 1200mm

26123/26124/26125

INSTRUCTION MANUAL

[www.monstershop.co.uk](http://www.monstershop.co.uk)



# SPECIFICATION

## PRODUCT DESCRIPTION

The T-Mech Tile Cutter is a robust and easy to use machine that will enable cutting of most types of ceramic tiles to a professional level.

## ITEM CONTENTS

1. Cutting bed
2. Water reservoir
3. Support legs
4. 8 leg lock nuts
5. Locknut spanner
6. Spindle spanner
7. Reservoir bung

Monster Group UK Limited's liability will be limited to the commercial value of the product only.

# SPECIFICATION

## TECHNICAL INFORMATION 720mm

- Voltage: 230 V
- Power: 800W
- Protection rating: IP54
- Blade dimensions: 200mmx22.2mm
- Table dimensions: 980 x 400mm
- Max blade tilt: 45°
- Max Cutting depth: 35mm
- Rip Cut: 720mm & Diagonal: 508mm

## TECHNICAL INFORMATION 920mm

- Voltage: 230 V
- Power: 1200W
- Protection rating: IP54
- Blade dimensions: 200mm x 25.4mm
- Table dimensions: 1290 x 400mm
- Max blade tilt: 45°
- Max Cutting depth: 36mm
- Rip Cut: 920mm & Diagonal: 650mm

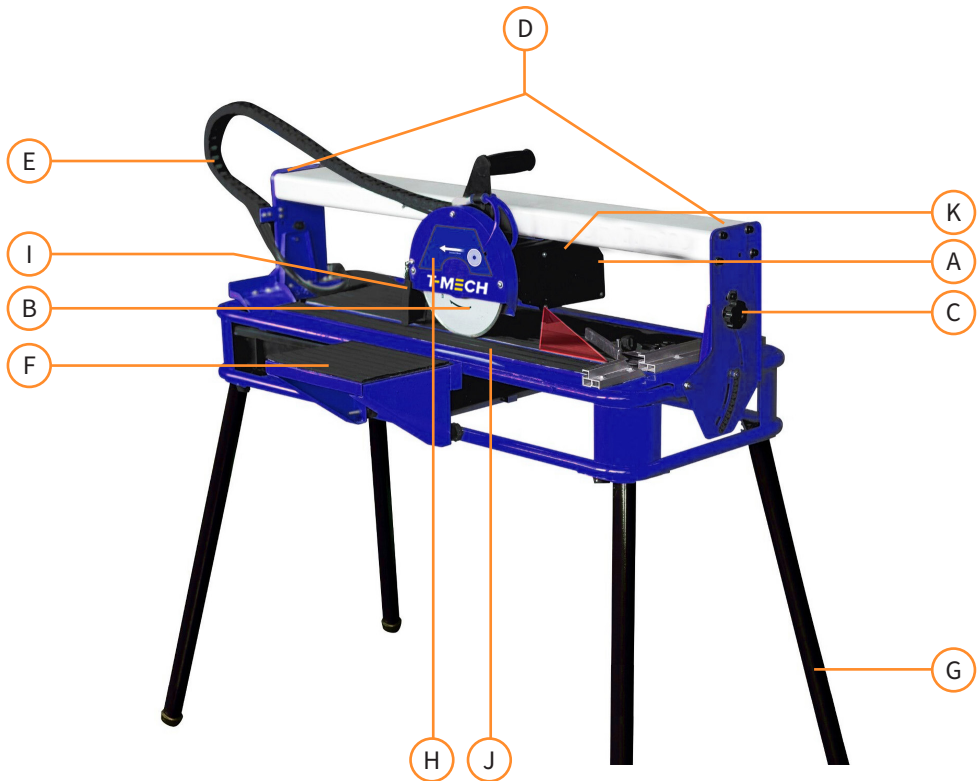
## TECHNICAL INFORMATION 1200mm

- Voltage: 230 V
- Power: 1400W
- Protection rating: IP54
- Blade dimensions: 230mm x 25.4mm
- Table dimensions: 1377 x 400mm
- Max blade tilt: 45°
- Max Cutting depth: 40mm
- Rip Cut: 1200mm & Diagonal: 850mm

# SPECIFICATION

## PRODUCT FEATURES 720mm

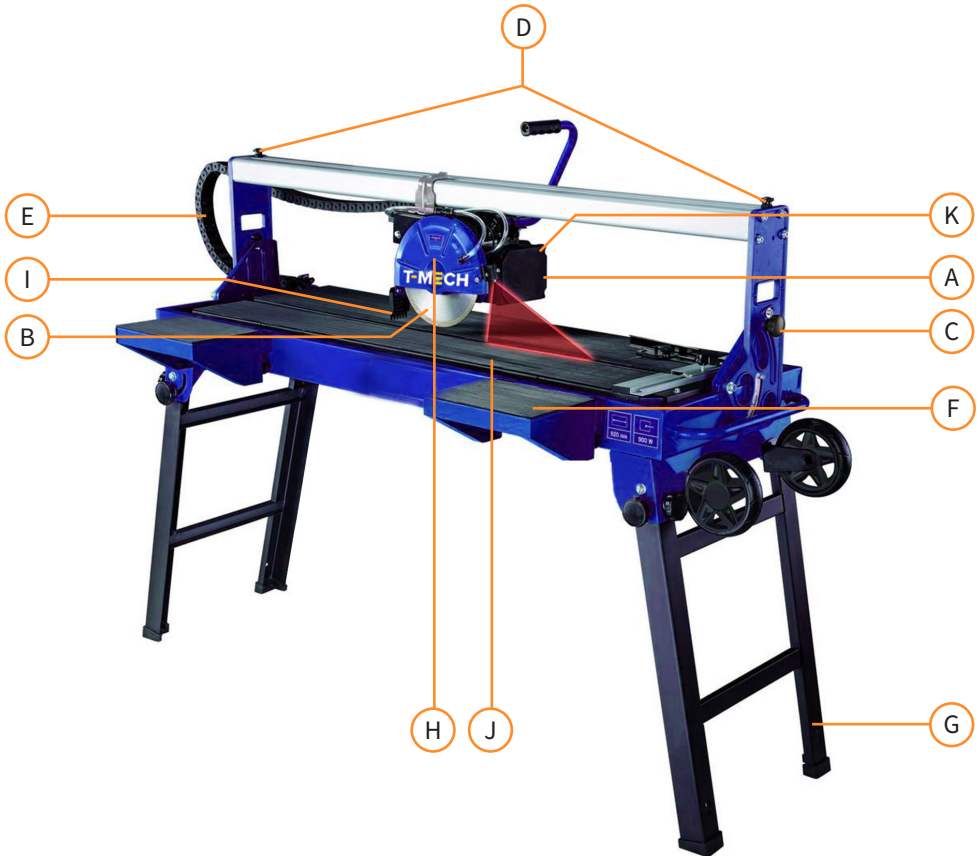
- A. 800 Watt electric motor
- B. 200mm cutting blade
- C. Tilting cutting head
- D. End stops
- E. Flexible cable drag chain
- F. Reservoir
- G. Legs
- H. Blade guard
- I. Spray guard
- J. Cutting bed
- K. Lazer cutting guide



# SPECIFICATION

## PRODUCT FEATURES 920mm

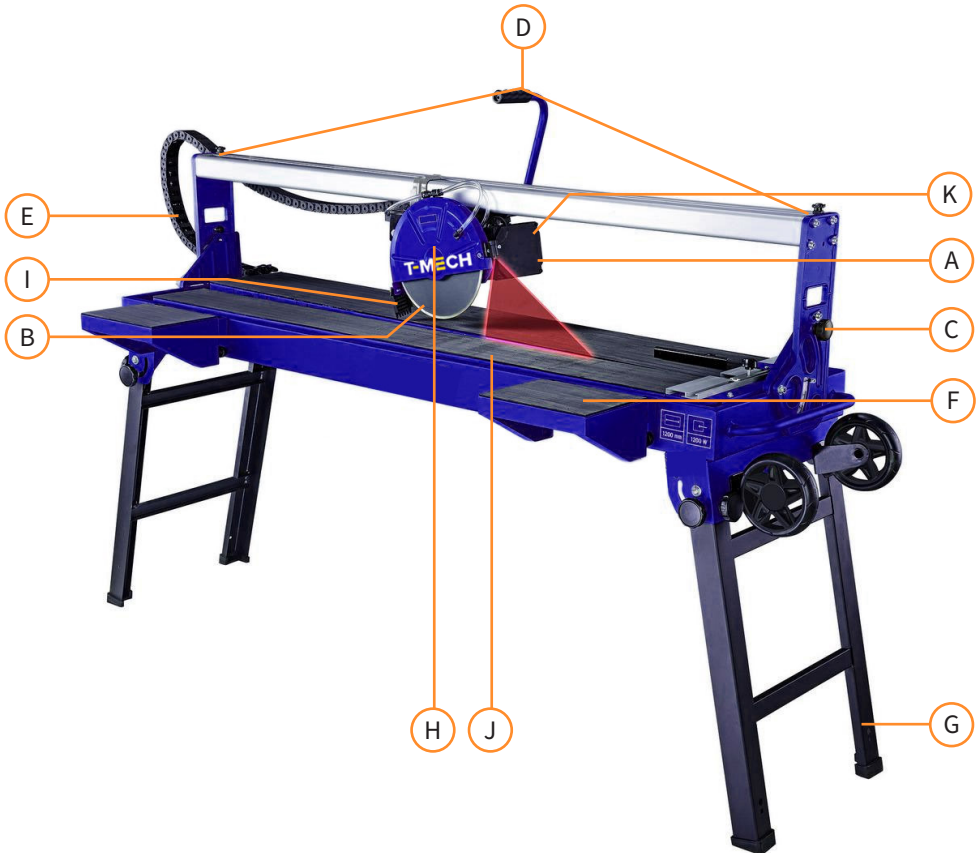
- A. 1200 Watt electric motor
- B. 200mm cutting blade
- C. Tilting cutting head
- D. End stops
- E. Flexible cable drag chain
- F. Reservoir
- G. Legs
- H. Blade guard
- I. Spray guard
- J. Cutting bed
- K. Lazer cutting guide



# SPECIFICATION

## PRODUCT FEATURES 1200mm

- A. 1400 Watt electric motor
- B. 230mm cutting blade
- C. Tilting cutting head
- D. End stops
- E. Flexible cable drag chain
- F. Tile shelf attachment
- G. Legs
- H. Blade guard
- I. Spray guard
- J. Cutting bed
- K. Lazer cutting guide



# SAFETY ADVICE

## SAFE WORKING PRACTICE

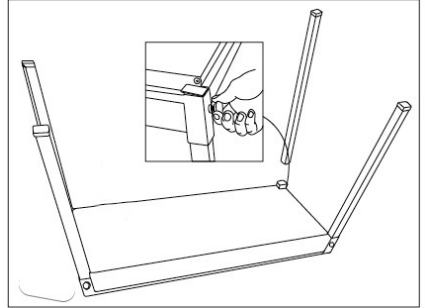
Please read through the Safe Working Practice to ensure prevention of injury or damage to the device.

- Observe all local health & safety regulations.
- Do not use this product for anything other than its intended purposes.
- Ensure you have read and fully understood the instruction manual and safety advice before using this product.
- Consider work area environment. Do not expose tools to rain. Do not use tools in damp or wet locations and keep work area well lit.
- Ensure this product is assembled securely.
- Ensure this product is stored in a safe place.
- Ensure that all other materials used with this product are up to standard.
- Never allow children to use or stand near this machine whilst it is in use.
- Never perform any sort of maintenance or adjustment on the machine without first unplugging it.
- Dress appropriately. Ensure that no loose clothing, jewellery or hair can become caught in the machine.
- Wear personal protective equipment. Ear defenders, protective glasses and a face mask should be worn.
- Wear non-slip shoes. If large tiles are being cut wear safety shoes.
- This machine should be powered via a socket-outlet RCD or portable RCD.
- Do not apply bodyweight to this product.
- Do not drink the water that is used in this product.
- Do not force the tool. Use gentle pressure allowing the blade to cut at its own pace.
- Do not leave the machine unattended whilst it is running.
- Do not touch the blade while it is hot.
- Do not touch the blade while in operation.
- Turn this product off if it starts to smoke. Do not use again for an hour.
- During shutdown, do not leave the machine until it has come to a complete standstill.
- Always power off before doing any adjustments.
- Never lift the cutting bed via a cable or pipe.
- Check hose and water kit before each use. Do not use if hose or water kit is damaged.

# USER GUIDE

## ASSEMBLY INSTRUCTIONS

1. Remove the contents from the box and check that they are all present. If any are missing see Troubleshooting.
2. Lift the cutting bed out of the water reservoir and place to one side.
3. Invert the reservoir and insert the four legs. Ensure the legs are orientated so that the feet are splayed outwards. Insert two locknuts into each leg and tighten.
4. Turn the reservoir over and ensure that it stands squarely on its four feet.
5. Insert the rubber bung into the drain hole.
6. Attach the angle bracket to the reservoir frame and connect the free end of the drag chain.
7. Insert the cutting bed into the reservoir ensuring that the power lead is not trapped and that the water pump is correctly positioned.

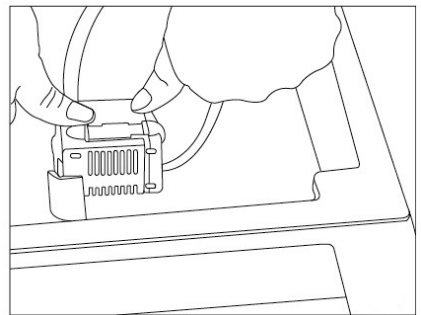


## OPERATING INSTRUCTIONS

### FILLING THE WATER RESERVOIR

Water is fed from the reservoir to the blade via a pump. This is a mains powered pump. Mains voltage and water do not mix well. Check the pump and cable for signs of damage before filling the reservoir. DO NOT USE if there are any signs of damage.

Fill the reservoir through the gap above the water pump, making sure that the pump inlet is fully submerged. Water will evaporate during tile cutting, top it up if necessary. Never allow the pump to run dry.





# USER GUIDE

## OPERATING INSTRUCTIONS

### USING

Before every use the cutter should be examined to make sure that it is safe to use.

- Check the power lead for signs of cuts or abrasion.
- Check the lock nuts on the legs to ensure that they are tight and the machine is stable.
- Remove the cover and check the blade. If there are any cracks or chips in the blade it will need to be replaced before the cutter can be used. DO NOT use a damaged blade! Only use blades recommended for this type of cutter.
- Check that the blade guard and spray guard are in place.
- Check that the power supply is the correct voltage for the machine.
- Check the water pump for signs of wear or damage.

Once satisfied that all is well you are ready to start cutting. The cutter is fitted with a standard 13A 3 pin plug. It is recommended that this cutter is powered via a portable RCD. This should be inserted into a suitable 13A socket. The power cord is approx 1.5m long and be aware that the cable moves with the cutter head. Once plugged in proceed as follows:

1. Ensure the cutting bed is clean and free from any debris.
2. Mark a line on the tile where you want to cut and place the tile against the end stop.
3. Slide the cutter head forwards until the blade is almost touching the tile.
4. Adjust the position of the tile until the blade and the mark lines up.
5. Switch on the motor this will also start the water pump. Allow the motor to reach full speed.
6. Gently move the cutter head forwards until it contacts the edge of the tile and starts to cut.
7. Maintain a gentle forwards pressure. Allow the blade to cut without forcing it. This will prolong the life of the blade and reduce the risk of breakage of both the blade and the tile.
8. Once the cut is complete, switch off the motor, allow the blade to come to a complete stop naturally, and remove the tile sections. Never apply side pressure to stop the blade quickly!
9. To cut a tile at an angle attach the angle guide to the end stops and adjust to the required angle. Place the tile against the angle guide and adjust until the cutting mark is lined up with the blade.
10. To cut a bevel edge on a tile, undo the lock nuts at either end of the saw bridge. Tilt the whole bridge/cutting head over to the required angle indicated by the datum point on the scale.

# USER GUIDE

## OPERATING INSTRUCTIONS

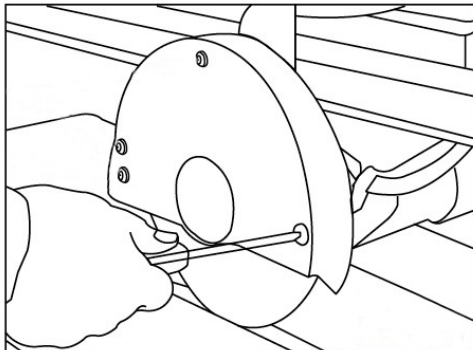
### AFTER USE

Once cutting is complete unplug the cutter from the mains power! Position a suitable container under the drain hole. The rubber bung can be pushed up into the reservoir to allow the water to drain out. The cutting bed may now be washed down. The runoff will drain down into the container. Once the cutting bed is clean it should be lifted out of the reservoir and placed to one side. The reservoir can now be rinsed out and the drain bung replaced. Once clean and dry the cutting bed can now be put back in place.

### CHANGING THE BLADE

After a period of time the blade will need to be changed. The length of time depends on the thickness, type and length of tiles being cut. Hard tiles such as marble or granite will cause the blade to wear out more quickly. To change the blade, proceed as follows:

1. Ensure the cutter is unplugged from the mains.
2. Remove the retaining screws from the blade guard cover and remove it.
3. Place the 19mm hex spanner over the lock nut.
4. Place the spindle spanner over the spindle.
5. Holding the spindle in place using the spindle spanner, rotate the lock nut in a clockwise direction to release it. Unscrew the locknut completely and remove it.
6. Behind the locknut is a collar. This should be removed.
7. Behind the blade is a second collar visible through the hole in the centre of the blade.
8. Gently grip the blade on each side with your fingers. Pull it toward you slightly whilst pushing the collar back with your thumb nails.
9. Once free manoeuvre the blade clear of the drive shaft.
10. Replacement is the reverse of removal. Ensure the rotational indicator arrows are facing you and the arrows point in a clockwise direction.



# TROUBLESHOOTING

## RESOLUTION GUIDE

### WHAT DO I DO IF THERE ARE MISSING PARTS FROM MY ORDER?

If there appears to be any part missing from your order, contact our friendly and helpful Customer Support Team within 7 days of receipt.

### WHAT DO I DO IF THE MOTOR WILL NOT START?

If the motor will not start when you press the green start button then there may be an issue with the power supply. The cutter is fitted with a No Voltage Release (NVR) switch. This means that the switch will only operate if a mains voltage is present. If the green button will not stay in when pressed then there is no mains power to the machine. Check that there is power to the socket with a known working device such as an inspection lamp. If this works then check the fuse in the plug with a meter or continuity tester. If there is power to the socket and the fuse is ok then the cutter is faulty and you should contact customer service.

### WHAT DO I DO IF THE MOTOR STARTS BUT BLADE DOES NOT SPIN?

If the motor starts but the blade does not spin or spins erratically then the lock nut is probably loose. Unplug the cutter from the mains. Remove the screws from the blade cover and move to one side. Undo the locknut by rotating it in a clockwise direction. Remove the locknut and the external collar. Ensure that the blade is seated properly on the internal collar. Replace the external collar. Fit the locknut and tight it by turning it in an anti-clockwise direction. Once finger tight fit the 19mm hex spanner over the locknut and the spindle spanner over the spindle. Hold the spindle steady with the spindle spanner whilst tightening the locknut with the hex spanner in an anti-clockwise direction. Refit the blade cover before plugging the machine back in and testing. The blade should now spin with the motor. If it does not then the cutter is faulty and you should contact customer service.

# TROUBLESHOOTING

## RESOLUTION GUIDE

### WHAT DO I DO IF THE WATER IS NOT BEING PUMPED ONTO THE BLADE?

The water is essential to both cool and lubricate the blade. Without it the blade may overheat and become blunt or even damage the tile. The water is pumped by an electric pump in the water reservoir. The most likely cause is that there is not enough water in the reservoir. The reservoir is 90mm deep and should have at least 45mm of water in it. If there is sufficient water then either the pump is not working or the tube is blocked. The pump sits in the reservoir just below the point where the pipe enters it. Push the motor carriage to the opposite end of the cutting bed. Lift the end above the pump out of the reservoir and lift out the pump. Support the cutting bed on its rubber feet on the end of the reservoir. Pull the plastic pipe off of the connector on the pump. Fill a suitable container (like a small bucket) with water and position it so that the pump is submerged in the water. Support the bucket or get an assistant to hold it. After first making sure that it is safe, switch on the cutter motor. This will start the pump and water should be seen coming out of the pipe connector. If it doesn't then the pump is faulty and you should contact customer service. If water is pumped out then the feed pipe must be blocked.

To access the other end of the water feed pipe remove the blade. Remove the four screws holding the blade guard to the motor housing. Remove the feed pipe from the connector on the back of the blade guard. It should then be possible to clear the blockage with either air or water pushed backwards down the feed pipe. If the pipe is damaged it can be replaced. Once disconnected at both ends it can be pulled back through the drag chain. A suitable length or clear plastic pipe (internal diameter 6mm) should be obtained and fed back through the drag chain. Re-connect at both ends and re-assemble the cutter.

# TROUBLESHOOTING

## RESOLUTION GUIDE

### WHAT DO I DO IF THE BLADE FAILS TO CUT THE TILE?

If the cutter will not cut then the blade may need to be changed (see above). These blades are a consumable item just like hacksaw blades. There are many sources for these blades and many different types/sizes. The most important size is the disc bore size. This is the diameter of the hole in the centre of the blade. If this is too small the blade simply will not fit. If it is too large the blade will not be held securely and may wobble dangerously and disintegrate. Secondly but almost as important, is the blade diameter. The size of blade you need is 200 x 25.4mm.

There are many different types and qualities of blades. The cutter is supplied with a general purpose diamond edged continuous rim tile cutting blade. This will be fine in most cases. If you are cutting a large number of very hard tiles (granite for example) a more specialist blade may be better.

### WHAT DO I DO IF THE CUTTER HEAD WON'T MOVE?

The cutter head moves on bearings in tracks on the underside of the bridge. The tracks are lubricated with grease. If it won't move or is difficult to move this is probably due to a build up of tile dust in the tracks.

Use a nylon brush and some sort of degreaser or detergent to remove the old grease and dust. Move the cutter head to one end of the track whilst you clean the other half. Gently slide the cutter head into the clean half. Clean the second half. Once the entire track is clean and dry re-lubricate with quality white lithium grease. Do not over lubricate. The tracks only have to take the weight of the cutter head as no great force is involved in the cutting operation.

**FOR ALL OTHER ISSUES, PLEASE CONTACT OUR  
CUSTOMER SUPPORT TEAM.**

# SPÉCIFICATIONS

## DESCRIPTION DU PRODUIT

Le coupe-carrelage T-Mech est une machine robuste et facile à utiliser qui permettra de couper la plupart des carreaux en céramique à un niveau professionnel.

## CONTENU

1. Banc de coupe
2. Réservoir d'eau
3. Pieds de soutien
4. 8 contre-écrous pour pieds
5. Clé à contre-écrou
6. Clé à broche
7. Bonde pour réservoir

La responsabilité de Monster Group UK Limited sera limitée à la valeur commerciale du produit.

# SPÉCIFICATIONS

## INFORMATIONS TECHNIQUES 720mm

- Tension : 230 V
- Puissance : 800W
- Indice de protection : IP54
- Dimensions de la lame : 200 mm x 22,2 mm
- Dimensions de la table : 980 x 400 mm
- Inclinaison maximale de la lame : 45 °
- Profondeur de coupe maximale : 35 mm
- Découpe longitudinale : 720 mm et diagonale : 508 mm

## INFORMATIONS TECHNIQUES 920mm

- Tension : 230 V
- Puissance : 1200W
- Indice de protection : IP54
- Dimensions de la lame : 200 mm x 25,4 mm
- Dimensions de la table : 1290 x 400 mm
- Inclinaison maximale de la lame : 45 °
- Profondeur de coupe maximale : 36 mm
- Découpe longitudinale : 920 mm et diagonale : 650 mm

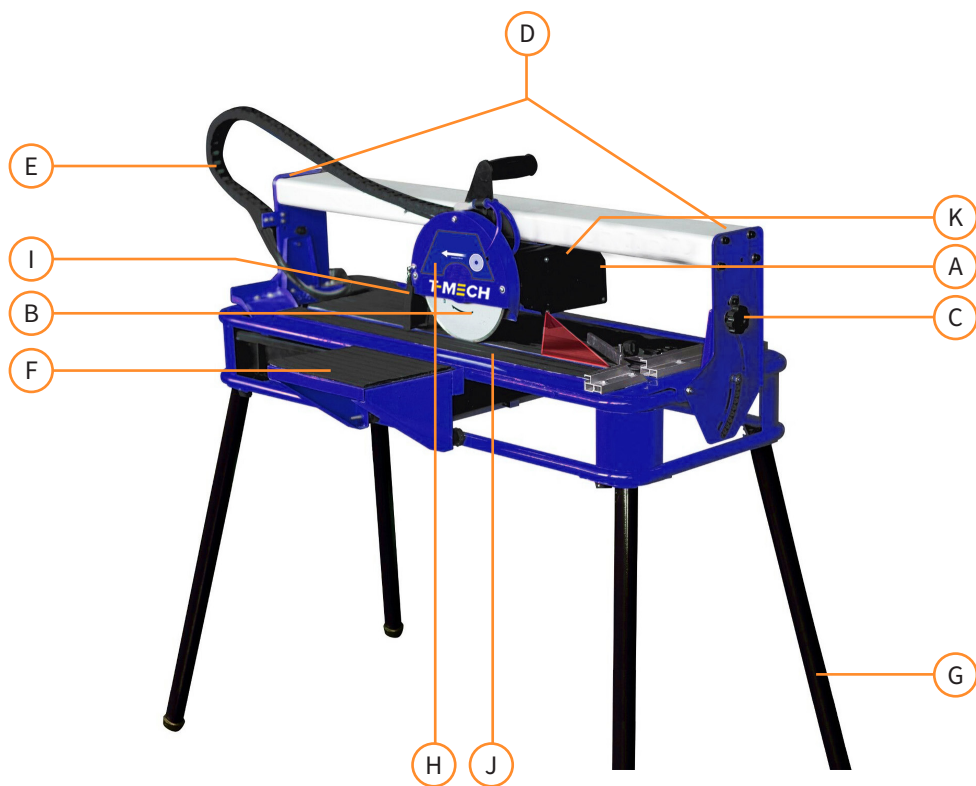
## INFORMATIONS TECHNIQUES 1200mm

- Tension : 230 V
- Puissance : 1400W
- Indice de protection : IP54
- Dimensions de la lame : 230 mm x 25,4 mm
- Dimensions de la table : 1377 x 400 mm
- Inclinaison maximale de la lame : 45 °
- Profondeur de coupe maximale : 40 mm
- Découpe longitudinale : 1200 mm et diagonale : 850 mm

# SPÉCIFICATIONS

## CARACTÉRISTIQUES DU PRODUIT 720mm

- A. Moteur électrique de 800 watts
- B. Lame de coupe de 200 mm
- C. Tête de coupe inclinable
- D. Butoirs
- E. Chaîne porte câble flexible
- F. Fixation d'étagère à carreaux
- G. Pieds
- H. Protège-lame
- I. Protection anti-éclaboussures
- J. Banc de coupe
- K. Guide de découpe laser



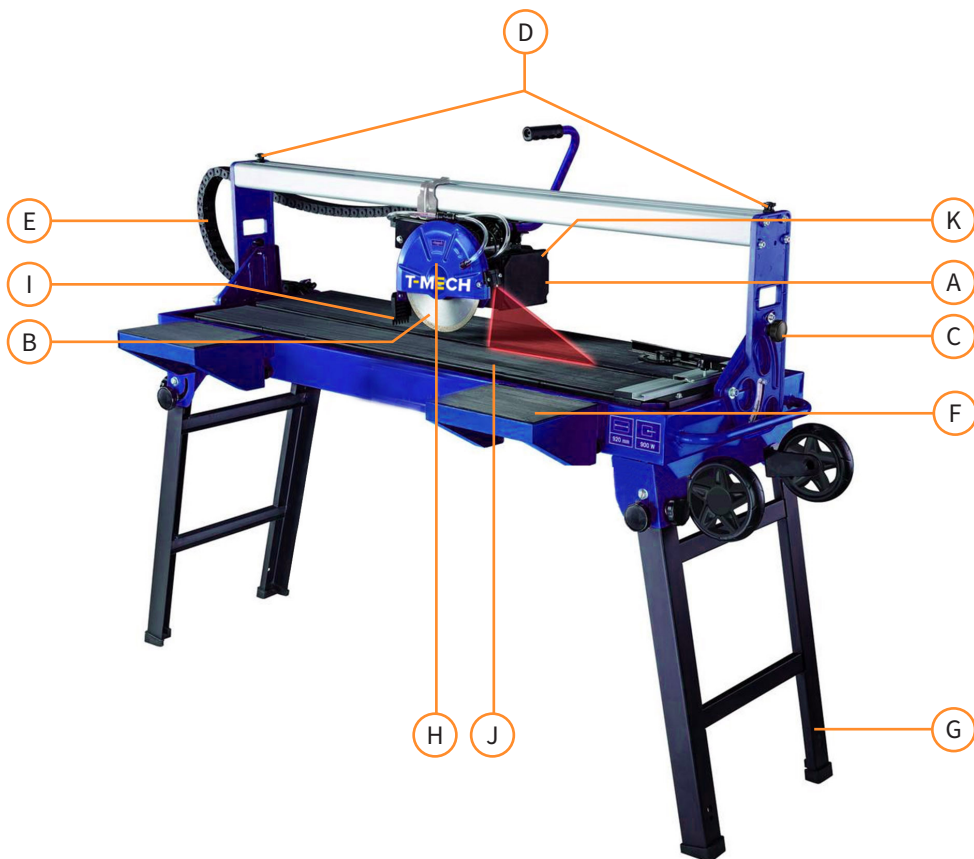


# SPÉCIFICATIONS

## CARACTÉRISTIQUES DU PRODUIT 920mm

- A. Moteur électrique de 1200 watts
- B. Lame de coupe de 200 mm
- C. Tête de coupe inclinable
- D. Butoirs
- E. Chaîne porte câble flexible
- F. Fixation d'étagère à carreaux

- G. Pieds
- H. Protège-lame
- I. Protection anti-éclaboussures
- J. Banc de coupe
- K. Guide de découpe laser

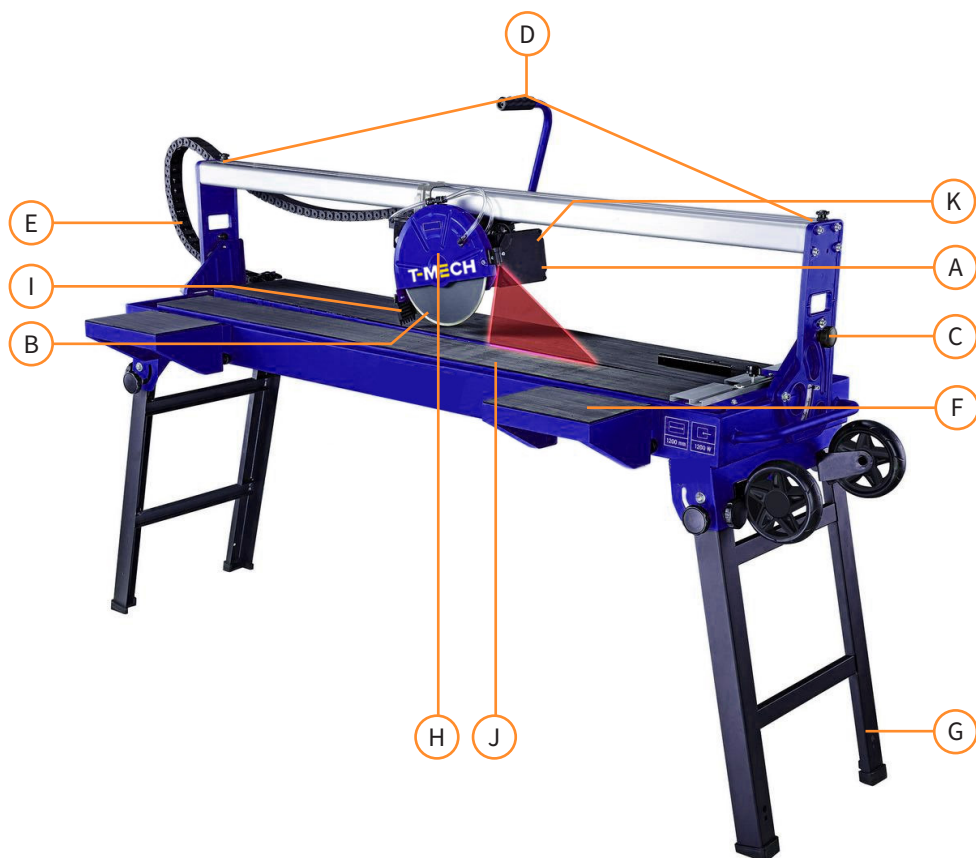


# SPÉCIFICATIONS

## CARACTÉRISTIQUES DU PRODUIT 1200mm

- A. Moteur électrique de 1400 watts
- B. Lame de coupe 230 mm
- C. Tête de coupe inclinable
- D. Butoirs
- E. Chaîne porte câble flexible
- F. Fixation d'étagère à carreaux

- G. Pieds
- H. Protège-lame
- I. Protection anti-éclaboussures
- J. Banc de coupe
- K. Guide de découpe laser



# CONSEILS DE SÉCURITÉ

## PRATIQUES DE TRAVAIL SÉCURITAIRE

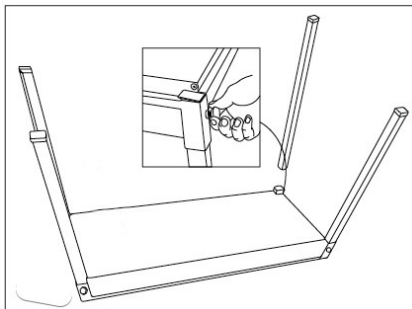
**Veillez lire les pratiques de travail sécuritaires afin d'éviter tout risque de des blessures ou de détérioration de l'appareil.**

- Respectez toutes les réglementations locales en matière de santé et de sécurité.
- N'utilisez pas ce produit à des fins autres que celles pour lesquelles il a été conçu.
- Assurez-vous d'avoir bien lu et compris le manuel d'instructions et les conseils de sécurité avant d'utiliser ce produit.
- Tenez compte de l'environnement de la zone de travail. N'exposez pas les outils à la pluie. N'utilisez pas d'outils dans des endroits humides ou mouillés et gardez la zone de travail bien éclairée.
- Assurez-vous que ce produit est correctement assemblé.
- Assurez-vous que ce produit est stocké dans un endroit sûr.
- Assurez-vous que tous les autres matériaux utilisés avec ce produit soient conformes aux normes.
- Ne laissez jamais des enfants utiliser cette machine pendant son utilisation ou rester à proximité de celle-ci.
- Ne jamais effectuer d'entretien ou de réglage sur la machine sans l'avoir débranché au préalable.
- Portez une tenue appropriée. Assurez-vous qu'aucun vêtement lâche, bijoux ou cheveux ne puisse se coincer dans la machine.
- Portez un équipement de protection individuelle. Un casque antibruit, des lunettes de protection et un masque doivent être portés.
- Portez des chaussures antidérapantes. Si de grands carreaux sont coupée, portez des chaussures de sécurité.
- Cette machine doit être alimentée via un adaptateur disjoncteur RCD ou prise RCD.
- N'appliquez pas de poids corporel à ce produit.
- Ne buvez pas l'eau utilisée dans ce produit.
- Ne forcez pas l'outil. Utilisez une pression douce permettant à la lame de couper à son propre rythme.
- Ne laissez pas la machine sans surveillance lorsqu'elle est en marche.
- Ne touchez pas la lame lorsqu'elle est chaude.
- Ne touchez pas la lame pendant son fonctionnement.
- Éteignez ce produit s'il commence à fumer. Ne le réutilisez pas pendant une heure.
- Lors de l'arrêt, ne quittez pas la machine tant qu'elle ne s'est pas complètement arrêtée.
- Mettez toujours l'appareil hors tension avant d'effectuer des réglages.
- Ne jamais soulever le banc de coupe via un câble ou un tuyau.
- Vérifiez le tuyau et le kit d'eau avant chaque utilisation. Ne pas utiliser si un tuyau ou un kit d'eau est endommagé.

# MODE D'EMPLOI

## INSTRUCTIONS DE MONTAGE

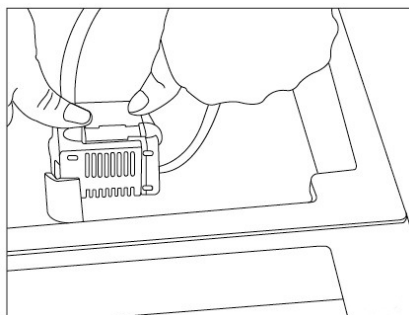
1. Retirez le contenu de la boîte et vérifiez que toutes les pièces sont présentes. Si des pièces venaient à manquer, merci de consulter la section Dépannage.
2. Soulevez le banc de découpe du réservoir d'eau et mettez de côté.
3. Retournez le réservoir et insérez les quatre pieds. Assurez-vous que les pieds soient orientés de manière à ce qu'ils soient écartés vers l'extérieur. Insérez deux contre-écrous dans chaque pied et serrez.
4. Retournez le réservoir et assurez-vous qu'il soit stable sur ses quatre pieds.
5. Insérez la bonde en caoutchouc dans l'orifice de vidange.
6. Fixez le support d'angle au cadre du réservoir et connectez l'extrémité libre de la chaîne porte câble.
7. Insérez le banc de découpe dans le réservoir en vous assurant que le câble d'alimentation ne soit pas coincé et que la pompe à eau soit correctement positionnée.



## INSTRUCTIONS DE FONCTIONNEMENT

### REPLISSAGE DU RÉSERVOIR D'EAU

L'eau est acheminée du réservoir à la lame via une pompe. Il s'agit d'une pompe alimentée par le secteur. La tension du secteur et l'eau ne se mélangent pas bien. Vérifiez que la pompe et le câble ne sont pas endommagés avant de remplir le réservoir. **NE PAS UTILISER** s'il y a des signes de détérioration. Remplissez le réservoir à travers l'espace situé au-dessus de la pompe à eau, en vous assurant que l'entrée de la pompe soit entièrement immergée. L'eau s'évapore pendant la coupe des carreaux, ajoutez de l'eau si nécessaire. Ne laissez jamais la pompe fonctionner à sec.



# MODE D'EMPLOI

## INSTRUCTIONS DE FONCTIONNEMENT

### LORS DE L'UTILISATION

Avant chaque utilisation, le coupe-carrelage doit être examiné pour s'assurer que son utilisation est sans danger.

- Vérifiez que le câble d'alimentation ne présente aucun signe de coupure ou d'abrasion.
- Vérifiez les contre-écrous sur les pieds pour vous assurer qu'ils sont serrés et que la machine est stable.
- Retirez le couvercle et vérifiez la lame. S'il y a des fissures ou des éclats sur la lame, elle devra être remplacée avant de pouvoir utiliser le coupe-carrelage. N'UTILISEZ PAS de lame endommagée ! Utilisez uniquement des lames recommandées pour ce type de coupe-carrelage
- Vérifiez que le protège-lame et la protection anti-éclaboussures sont en place.
- Vérifiez que l'alimentation possède la tension correcte pour la machine.
- Vérifiez que la pompe à eau ne présente aucun signe d'usure ou de détérioration.

Une fois que vous vous êtes assuré que tout est correct, vous serez prêt pour commencer à couper. le coupe-carrelage est équipé d'une prise standard 13A à 3 broches. Il est recommandé d'alimenter le coupe-carrelage via un adaptateur disjoncteur RCD. Celui-ci doit être inséré dans une prise 13A appropriée. Le cordon d'alimentation mesure environ 1,5 m de long et sachez que le câble se déplace avec la tête de coupe. Une fois branché, procédez comme suit :

1. Assurez-vous que le banc de coupe est propre et exempt de tout débris.
2. Tracez une ligne sur le carreau où vous voulez couper et placez le contre la butée.
3. Faites glisser la tête de coupe vers l'avant jusqu'à ce que la lame touche presque le carreau.
4. Ajustez la position du carreau jusqu'à ce que la lame et le repère s'alignent.
5. Mettez le moteur en marche. Il démarrera également la pompe à eau. Laissez le moteur atteindre sa pleine vitesse.
6. Déplacez doucement la tête de coupe vers l'avant jusqu'à ce qu'elle touche le bord du carreau et commence à couper.
7. Maintenez une légère pression vers l'avant. Laissez la lame couper sans la forcer. Ceci prolongera la durée de vie de la lame et réduira le risque de rupture de la lame et du carreau.
8. Une fois la coupe terminée, éteignez le moteur, laissez la lame s'arrêter complètement et toute seule, et retirez les morceaux de carreaux. N'appliquez jamais de pression latérale pour arrêter la lame rapidement !
9. Pour couper un carreau en angle, fixez le guide d'angle aux butoirs et ajustez-le à l'angle requis. Placez le carreau contre le guide d'angle et ajustez jusqu'à ce que la marque de coupe soit alignée avec la lame.
10. Pour couper un bord biseauté sur un carreau, desserrez les contre-écrous à chaque extrémité du pont de scie. Inclinez l'ensemble du pont / de la tête de coupe jusqu'à l'angle requis indiqué par le point de référence sur l'échelle.

# MODE D'EMPLOI

## INSTRUCTIONS DE FONCTIONNEMENT

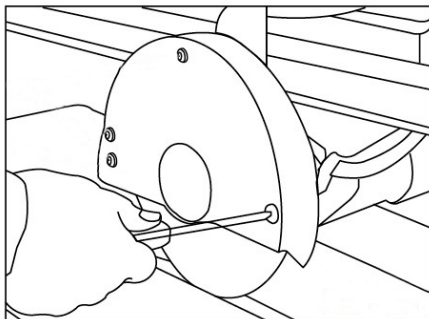
### APRÈS UTILISATION

Une fois la coupe terminée, débranchez le coupe-carrelage du secteur ! Placez un récipient approprié sous le trou de vidange. La bonde en caoutchouc peut être poussée vers le haut du réservoir pour permettre à l'eau de s'écouler. Le banc de coupe peut maintenant être lavé. L'écoulement se fera dans le conteneur. Une fois que le banc de coupe est propre, il doit être soulevé hors du réservoir et placé sur le côté. Le réservoir peut maintenant être rincé et la bonde de vidange remplacée. Une fois propre et sec, le banc de coupe peut être remis en place.

### CHANGER LA LAME

Après un certain temps, la lame devra être changée. Sa durée de vie dépend de l'épaisseur, du type et de la longueur des carreaux à couper. Les carreaux durs tels que le marbre ou le granite provoquent une usure plus rapide de la lame. Pour changer la lame, procédez comme suit :

1. Assurez-vous que le coupe-carrelage est débranché du secteur.
2. Retirez les vis de fixation du couvercle de protection de la lame et retirez-la.
3. Placez la clé hexagonale de 19 mm sur le contre-écrou.
4. Placez la clé de broche sur la broche.
5. En maintenant la broche en place à l'aide de la clé de broche, tournez le contre-écrou dans le sens des aiguilles d'une montre pour le libérer. Dévissez complètement le contre-écrou et retirez-le.
6. Derrière le contre-écrou se trouve un collier. Il doit être retiré.
7. Derrière la lame se trouve un deuxième collier visible à travers le trou, au centre de la lame.
8. Saisissez doucement la lame de chaque côté avec vos doigts. Tirez-la légèrement vers vous tout en repoussant le collier avec vos pouces.
9. Une fois la manœuvre libre, dégagez la lame de l'arbre d'entraînement.
10. Le remplacement consiste à suivre les étapes inverses du retrait. Assurez-vous que les flèches de l'indicateur de rotation sont face à vous et les flèches pointent dans le sens des aiguilles d'une montre.



# DÉPANNAGE

## GUIDE DE DÉPANNAGE

### QUE FAIRE S'IL MANQUE DES ÉLÉMENTS À MA COMMANDE?

Si vous constatez qu'une ou plusieurs pièces manquent à votre commande, contactez notre équipe du service client dans les 7 jours suivant sa réception.

### QUE DOIS-JE FAIRE SI LE MOTEUR NE DÉMARRE PAS?

Si le moteur ne démarre pas lorsque vous appuyez sur le bouton vert de démarrage, il se peut qu'il y ait un problème avec l'alimentation. Le coupe-carrelage est équipé d'un interrupteur de sécurité à manque de tension. Cela signifie que l'interrupteur ne fonctionnera que si une tension secteur est présente. Si le bouton vert ne reste pas enfoncé alors il n'y a pas d'alimentation secteur relié à la machine. Vérifiez que la prise est alimentée avec un appareil en état de fonctionnement, comme une lampe par exemple. Si cela fonctionne, vérifiez le fusible de la fiche avec un capteur ou un testeur de continuité. Si la prise est alimentée et que le fusible est en bon état, le coupe-carrelage est peut-être défectueux et nous vous invitons à contacter le service client.

### QUE FAIRE SI LE MOTEUR DÉMARRE MAIS QUE LA LAME NE TOURNE PAS?

Si le moteur démarre mais que la lame ne tourne pas ou tourne de manière irrégulière, le contre-écrou est probablement desserré. Débranchez le coupe-carrelage du secteur. Retirez les vis du protège-lame et mettez de côté. Desserrez le contre-écrou en le tournant dans le sens des aiguilles d'une montre. Retirez le contre-écrou et le collier extérieur. Assurez-vous que la lame est correctement positionnée sur le collier interne. Remplacez le collier externe. Montez le contre-écrou et serrez-le en le tournant dans le sens contraire des aiguilles d'une montre. Une fois serré à la main, placez la clé hexagonale de 19 mm sur le contre-écrou et la clé de broche sur la broche. Maintenez la broche fermement avec la clé de broche tout en serrant le contre-écrou avec la clé hexagonale dans le sens contraire des aiguilles d'une montre. Remplacez le couvercle de la lame avant de rebrancher la machine et de la tester. La lame devrait maintenant tourner avec le moteur. Si ce n'est pas le cas, le coupe-carrelage est peut-être défectueux et nous vous invitons à contacter le service client.

# DÉPANNAGE

## GUIDE DE DÉPANNAGE

### QUE FAIRE SI L'EAU N'EST PAS POMPÉE VERS LA LAME?

L'eau est essentielle pour refroidir et lubrifier la lame. Sans cela, la lame peut surchauffer et devenir émoussée ou même endommager les carreaux. L'eau est pompée par une pompe électrique dans le réservoir d'eau. La cause la plus probable est qu'il n'y a pas assez d'eau dans le réservoir. Le réservoir a une profondeur de 90 mm et doit contenir au moins 45 mm d'eau. S'il y a suffisamment d'eau, soit la pompe ne fonctionne pas, soit le tube est bloqué. La pompe se trouve dans le réservoir juste en dessous du point d'entrée du tuyau. Poussez le chariot du moteur à l'extrémité opposée du banc de coupe. Soulevez l'extrémité au-dessus de la pompe hors du réservoir et sortez la pompe. Soutenez le banc de coupe sur les pieds en caoutchouc à l'extrémité du réservoir. Retirez le tuyau en plastique du connecteur de la pompe. Remplissez un récipient approprié (comme un petit seau) d'eau et positionnez-le de sorte que la pompe soit immergée dans l'eau. Tenez le seau ou demandez à une personne de vous aider pour le tenir. Après vous être d'abord assuré qu'il est sans danger, allumez le moteur du coupe-carrelage. Ceci démarrera la pompe et de l'eau devrait sortir du raccord de tuyau. Si ce n'est pas le cas, la pompe est probablement défectueuse et nous vous invitons à contacter le service client. Si l'eau est rejetée, il se peut que le tuyau d'alimentation soit bouché.

Pour accéder à l'autre extrémité du tuyau d'alimentation en eau, retirez la lame. Retirez les quatre vis retenant le protège-lame au boîtier du moteur. Retirez le tuyau d'alimentation du connecteur à l'arrière du protège-lame. Il devrait alors être possible de retirer l'obstruction avec de l'air ou de l'eau propulsée vers l'arrière du tuyau d'alimentation. Si le tuyau est endommagé, il peut être remplacé. Une fois déconnecté aux deux extrémités, il peut être tiré à travers la chaîne porte câble. Une longueur appropriée ou un tuyau en plastique transparent (diamètre interne 6 mm) doit être obtenu et inséré à travers la chaîne porte câble. Reconnectez les deux extrémités et réassemblez le coupe-carrelage.



# DÉPANNAGE

## GUIDE DE DÉPANNAGE

### QUE FAIRE SI LA LAME NE COUPE PAS LE CARREAU?

Si le coupe-carrelage ne coupe pas, la lame devra peut-être être changée (voir ci-dessus). Ces lames sont des articles consommables tout comme les lames de scie à métaux. Il existe de nombreux usages pour ces lames et de nombreux types / tailles différents. La taille la plus importante est la taille de l'alésage du disque. Il s'agit du diamètre du trou situé au centre de la lame. Si elle est trop petite, la lame ne rentrera tout simplement pas. Si elle est trop grande, la lame ne sera pas maintenue en sécurité et peut vaciller dangereusement et se désintégrer. Deuxième point, tout aussi important, le diamètre de la lame. La taille de la lame dont vous avez besoin est de 200 x 25,4 mm.

Il existe de nombreux types et qualités de lames. Le coupe-carrelage est fourni avec une lame diamant de coupe à carreaux à bord continu. Celle-ci est appropriée dans la plupart des cas. Si vous coupez un grand nombre de carreaux très durs (granite par exemple), une lame plus spécialisée sera meilleure.

### QUE FAIRE SI LA TÊTE DE COUPE NE SE DÉPLACE PAS ?

La tête de coupe se déplace sur des roulements de rails situés sous la partie inférieure du pont. Les rails sont lubrifiés avec de la graisse. Si la tête ne bouge pas ou se déplace difficilement, cela est probablement dû à une accumulation de poussière de carreaux dans les rails.

Utilisez une brosse en nylon et un type de dégraissant ou détergent pour éliminer les anciennes graisses et poussières. Déplacez la tête de coupe à une extrémité du rail pendant que vous nettoyez l'autre moitié. Faites glisser doucement la tête de coupe dans la moitié propre. Nettoyez la seconde moitié. Une fois le rail entièrement propre et sec, lubrifiez à nouveau avec de la graisse blanche au lithium de qualité. Ne pas trop lubrifier. Les rails n'ont qu'à supporter le poids de la tête de coupe car aucune force importante n'est impliquée dans l'opération de coupe.

**POUR TOUTE AUTRE DEMANDE,  
VEUILLEZ CONTACTER NOTRE ÉQUIPE DU SERVICE CLIENT.**



# SPEZIFIKATIONEN

## PRODUKTBESCHREIBUNG

Der T-Mech Fliesenschneider ist eine robuste und einfach zu bedienen Maschine, mit der die meisten Arten von Keramikfliesen auf einem hohen Niveau geschnitten werden können.

## ARTIKEL INHALT

1. Schneidebett
2. Wasserspeicher
3. Stützbeine
4. 8 Sicherungsmuttern
5. Kontermutterschlüssel
6. Spindelschlüssel
7. Speicherpfropfen

Die Haftung von Monster Group UK Limited ist auf den Handelswert des Produkts beschränkt.

# SPEZIFIKATIONEN

## TECHNISCHE INFORMATION 720mm

- Spannung: 230 V
- Leistung: 800W
- Sicherung: IP54
- Klingenabmessungen: 200 mm x 22,2 mm
- Tischabmessungen: 980 x 400 mm
- Maximale Klingenneigung: 45 °
- Maximale Schnitttiefe: 35 mm
- Längsschnitt: 720 mm und Diagonale: 508 mm

## TECHNISCHE INFORMATION 920mm

- Spannung: 230 V
- Leistung: 1200W
- Sicherung: IP54
- Klingenabmessungen: 200mm x 25.4mm
- Tischabmessungen: 1290 x 400mm
- Maximale Klingenneigung: 45°
- Maximale Schnitttiefe: 36mm
- Längsschnitt: 920mm & Diagonal: 650mm

## TECHNISCHE INFORMATION 1200mm

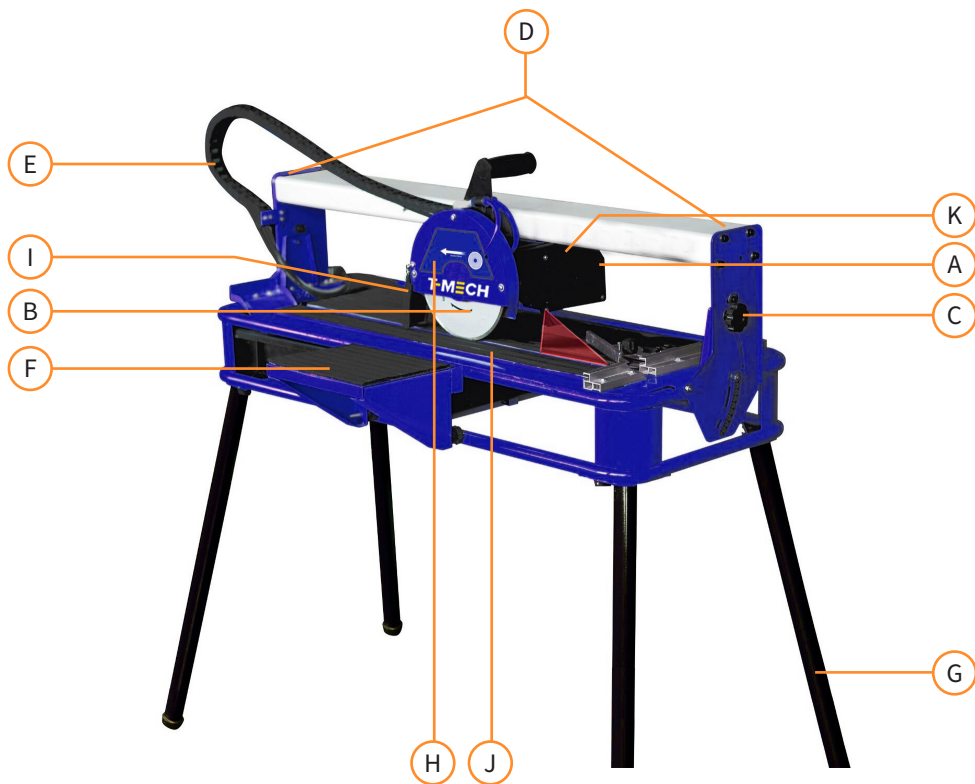
- Spannung: 230 V
- Leistung: 1400W
- Sicherung: IP54
- Klingenabmessungen: 230mm x 25.4mm
- Tischabmessungen: 1377 x 400mm
- Maximale Klingenneigung: 45°
- Maximale Schnitttiefe: 40mm
- Längsschnitt: 1200mm & Diagonal: 850mm

# SPEZIFIKATIONEN

## PRODUKTMERKMALE 720mm

- A. 800 Watt Elektromotor
- B. 200mm Klinge
- C. schwenkbarer Schneidekopf
- D. Endanschläge
- E. Flexible Kabelzugkette
- F. Fliesenregalbefestigung

- G. Beine
- H. Klingenschutz
- I. Sprühschutz
- J. Schneidebett
- K. Schneidführung

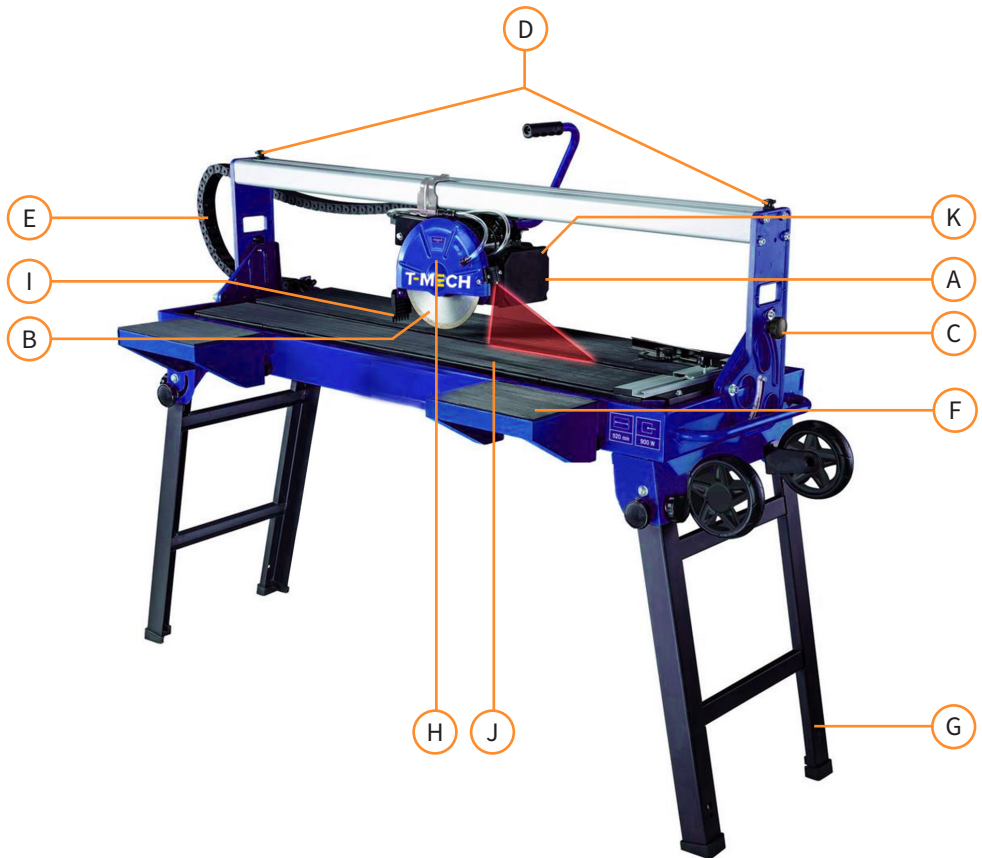


# SPEZIFIKATIONEN

## PRODUKTMERKMALE 920mm

- A. 1200 Watt Elektromotor
- B. 200mm Klinge
- C. schwenkbarer Schneidekopf
- D. Endanschläge
- E. Flexible Kabelzugkette
- F. Fliesenregalbefestigung

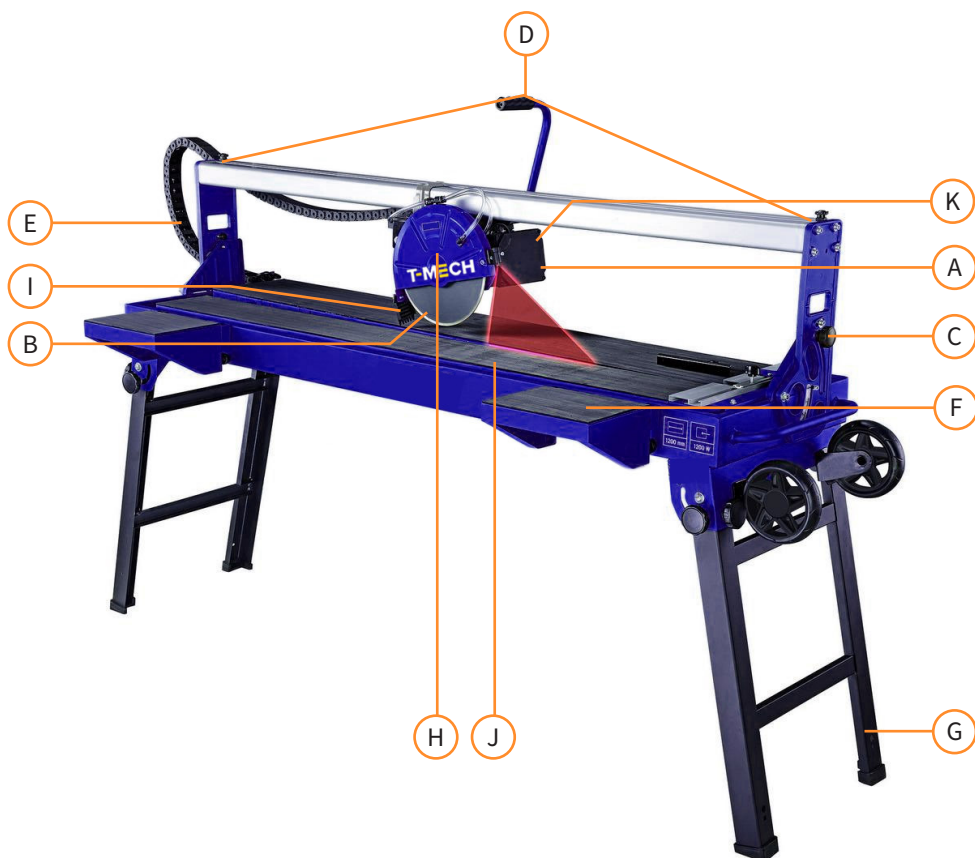
- G. Beine
- H. Klingenschutz
- I. Sprühschutz
- J. Schneidebett
- K. Schneidführung



# SPEZIFIKATION

## PRODUKTMERKMALE 1200mm

- A. 1400 Watt Elektromotor
- B. 230mm Klinge
- C. schwenkbarer Schneidekopf
- D. Endanschläge
- E. Flexible Kabelzugkette
- F. Fliesenregalbefestigung
- G. Beine
- H. Klingenschutz
- I. Sprühschutz
- J. Schneidebett
- K. Schneidführung



# SICHERHEITSHINWEISE

## SICHERE ARBEITSPRAXIS

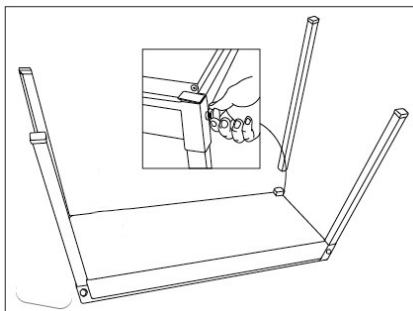
Bitte lesen Sie die Sicherheitsbedingungen durch, um Verletzungen oder Schäden am Gerät zu vermeiden.

- Beachten Sie alle örtlichen Gesundheits- und Sicherheitsbestimmungen.
- Verwenden Sie dieses Produkt nur für den vorgesehenen Zweck.
- Stellen Sie sicher, dass Sie die Bedienungsanleitung und die Sicherheitshinweise gelesen und vollständig verstanden haben bevor Sie dieses Produkt verwenden.
- Berücksichtigen Sie die Arbeitsbereichsumgebung. Setzen Sie Werkzeuge keinem Regen aus. Verwenden Sie keine Werkzeuge in feuchten oder nassen Orten und halten Sie den Arbeitsbereich gut beleuchtet.
- Stellen Sie sicher, dass dieses Produkt sicher montiert ist.
- Stellen Sie sicher, dass dieses Produkt an einem sicheren Ort aufbewahrt wird.
- Stellen Sie sicher, dass alle anderen mit diesem Produkt verwendeten Materialien dem Standard entsprechen.
- Lassen Sie Kinder diese Maschine niemals benutzen oder in der Nähe stehen, während es benutzt wird.
- Führen Sie niemals Wartungs- oder Einstellarbeiten an der Maschine durch, ohne sie vorher vom Stromnetz zu trennen.
- Stellen Sie sicher, dass keine lose Kleidung, Schmuck oder Haare in der Maschine gefangen werden können.
- Persönliche Schutzausrüstung. Gehörschutz, Schutzbrille und Gesichtsmaske sollten getragen werden.
- Tragen Sie während der Arbeit Sicherheitsschuhe.
- Dieses Gerät sollte über einen Steckdosen-RCD oder einen tragbaren RCD mit Strom versorgt werden.
- Wenden Sie kein Körpergewicht auf dieses Produkt an.
- Trinken Sie nicht das Wasser, das in diesem Produkt verwendet wird.
- Drücken Sie das Werkzeug nicht mit Gewalt. Üben Sie leichten Druck aus, damit die Klinge in ihrem eigenen Tempo schneiden kann.
- Lassen Sie das Gerät nicht unbeaufsichtigt, während es läuft.
- Berühren Sie die Klinge nicht, solange diese heiß ist.
- Berühren Sie die Klinge nicht während des Betriebs.
- Schalten Sie das Produkt aus, wenn es anfängt zu rauchen und anschließend eine Stunde lang nicht mehr verwenden.
- Verlassen Sie die Maschine während des Herunterfahrens erst, wenn sie vollständig zum Stillstand gekommen ist.
- Schalten Sie das Gerät immer aus, bevor Sie Einstellungen vornehmen.
- Stellen Sie das Schneidbett niemals über ein Kabel oder Rohr.
- Überprüfen Sie vor jedem Gebrauch den Schlauch und das Wasserset. Nicht verwenden, wenn der Schlauch oder das Wasserset beschädigt sind.

# BENUTZERHANDBUCH

## MONTAGEANLEITUNGEN

1. Entfernen Sie den Inhalt aus der Box und überprüfen Sie, dass alle Teile vorhanden sind. Sollte etwas fehlen, siehe FEHLERBEHEBUNG.
2. Heben Sie das Schneidbett aus dem Wasserbehälter und legen Sie es zur Seite.
3. Drehen Sie den Behälter um und setzen Sie die vier Beine ein. Stellen Sie sicher, dass die Beine so ausgerichtet sind, dass die Füße nach außen gespreizt sind. Setzen Sie zwei Kontermuttern in jedes Bein ein und ziehen Sie diese fest.
4. Drehen Sie den Behälter um und stellen Sie sicher, dass er genau auf seinen vier Füßen steht.
5. Setzen Sie den Gummistopfen in das Abflussloch ein.
6. Befestigen Sie die Winkelhalterung am Behälterrahmen und verbinden Sie das freie Ende der Schleppkette.
7. Setzen Sie das Schneidbett in den Vorratsbehälter ein und achten Sie darauf, dass das Stromkabel nicht eingeklemmt ist und die Wasserpumpe richtig positioniert ist.

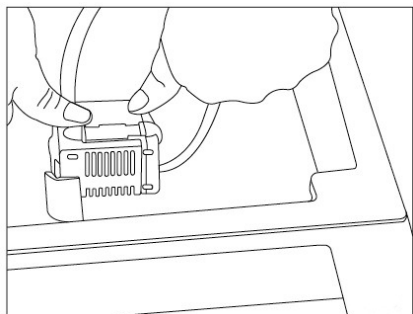


## BEDIENUNGSANLEITUNG

### BEFÜLLEN DES WASSERBEHÄLTERS

Das Wasser wird über eine Pumpe aus dem Vorratsbehälter zugeführt. Dies ist eine netzbetriebene Pumpe. Netzspannung und Wasser vermischen sich nicht gut. Überprüfen Sie die Pumpe und das Kabel auf Anzeichen von Beschädigungen, bevor Sie den Behälter füllen. **NICHT VERWENDEN**, wenn Anzeichen von Schäden vorliegen.

Füllen Sie den Behälter durch den Spalt über der Wasserpumpe und stellen Sie sicher, dass der Pumpeneinlass vollständig eingetaucht ist. Während des Fliesenschneidens verdunstet Wasser. Füllen Sie es bei Bedarf nach. Lassen Sie die Pumpe niemals trocken laufen.





# BENUTZERHANDBUCH

## BEDIENUNGSANLEITUNG

### VERWENDUNG

Vor jedem Gebrauch sollte der Schneider überprüft werden um sicherzustellen, dass er sicher verwendet werden kann.

- Überprüfen Sie das Stromkabel auf Anzeichen von Schnitten oder Abrieb.
- Überprüfen Sie die Kontermuttern an den Beinen, um sicherzustellen, dass sie festsitzen und die Maschine stabil ist.
- Entfernen Sie die Abdeckung und überprüfen Sie die Klinge. Wenn die Klinge Risse oder Späne aufweist, muss diese ersetzt werden, bevor der Fräser verwendet werden kann. KEINE beschädigte Klinge verwenden! Verwenden Sie nur die für diesen Schneidtyp empfohlenen Klingen.
- Überprüfen Sie, ob der Klingenschutz und der Sprühschutz angebracht sind.
- Überprüfen Sie, ob das Netzteil die richtige Spannung für die Maschine hat.
- Überprüfen Sie die Wasserpumpe auf Anzeichen von Verschleiß oder Beschädigung.

Sobald Sie sicher sind, dass alles in Ordnung ist, können Sie mit dem Schneiden beginnen. Der Schneider ist mit einem standardmäßigen 13A 3-poligen Stecker ausgestattet. Es wird empfohlen, diesen Schneider über einen tragbaren RCD mit Strom zu versorgen. Dies sollte in eine geeignete 13A-Steckdose gesteckt werden. Das Netzkabel ist ca. 1,5 m lang und beachten Sie, dass sich das Kabel mit dem Messerkopf bewegt. Nach dem Anschließen gehen Sie wie folgt vor:

1. Stellen Sie sicher, dass das Schneidbett sauber und frei von Schmutz ist.
2. Markieren Sie eine Linie auf der Fliese, an der Sie schneiden möchten, und legen Sie die Fliese gegen den Endanschlag.
3. Schieben Sie den Messerkopf nach vorne, bis die Klinge fast die Fliese berührt.
4. Passen Sie die Position der Fliese an, bis die Klinge und die Markierung ausgerichtet sind.
5. Schalten Sie den Motor ein, wodurch auch die Wasserpumpe gestartet wird. Lassen Sie den Motor die volle Drehzahl erreichen.
6. Bewegen Sie den Messerkopf vorsichtig nach vorne, bis er die Kante der Fliese berührt und anfangt zu schneiden.
7. Halten Sie einen leichten Vorwärtsdruck an. Lassen Sie die Klinge schneiden, ohne sie zu zwingen. Dies verlängert die Lebensdauer der Klinge und verringert das Risiko eines Bruchs sowohl der Klinge als auch der Fliese.
8. Wenn der Schnitt abgeschlossen ist, schalten Sie den Motor aus. Lassen Sie die Klinge auf natürliche Weise vollständig zum Stillstand kommen und entfernen Sie die Fliesenabschnitte. Üben Sie niemals Seitendruck aus, um die Klinge schnell anzuhalten!
9. Um eine Fliese in einem Winkel zu schneiden, befestigen Sie die Winkelführung an den Endanschlägen und stellen Sie sie auf den gewünschten Winkel ein. Legen Sie die Fliese gegen die Winkelführung und stellen Sie sie ein, bis die Schnittmarke mit der Klinge ausgerichtet ist.
10. Um eine abgeschrägte Kante auf einer Fliese zu schneiden, lösen Sie die Kontermuttern an beiden Enden der Sägebrücke. Kippen Sie die gesamte Brücke / den Schneidkopf auf den erforderlichen Winkel, der durch den Bezugspunkt auf der Skala angegeben wird.

# BENUTZERHANDBUCH

## BEDIENUNGSANLEITUNG

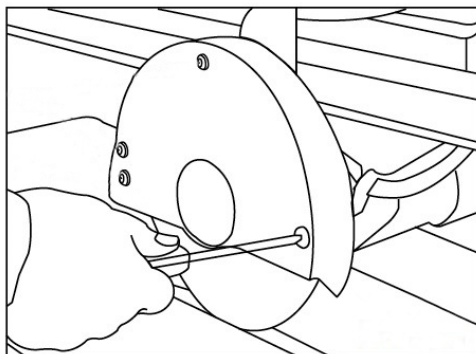
### NACH DEM GEBRAUCH

Nach dem Schneiden den Schneider vom Stromnetz trennen!  
Stellen Sie einen geeigneten Behälter unter das Abflussloch. Der Gummistopfen kann in den Vorratsbehälter gedrückt werden, damit das Wasser abfließen kann. Das Schneidebett kann jetzt abgewaschen werden. Der Abfluss fließt in den Behälter ab. Sobald das Schneidebett sauber ist, sollte es aus dem Vorratsbehälter gehoben und zur Seite gelegt werden. Der Vorratsbehälter kann nun ausgespült und der Ablassstopfen ersetzt werden. Nach dem Reinigen und Trocknen kann das Schneidebett wieder eingesetzt werden.

### KLINGENWECHSEL

Nach einiger Zeit muss die Klinge gewechselt werden. Die Dauer hängt von der Dicke, Art und Länge der zu schneidenden Fliesen ab. Harte Fliesen wie Marmor oder Granit führen dazu, dass sich die Klinge schneller abnutzt. Gehen Sie wie folgt vor, um die Klinge zu wechseln:

1. Stellen Sie sicher, dass der Schneider vom Stromnetz getrennt ist.
2. Entfernen Sie die Halteschrauben von der Klingenschutzabdeckung.
3. Setzen Sie den 19-mm-Sechskantschlüssel über die Kontermutter.
4. Setzen Sie den Spindelschlüssel über die Spindel.
5. Halten Sie die Spindel mit dem Spindelschlüssel fest und drehen Sie die Kontermutter im Uhrzeigersinn, um es freizugeben. Lösen Sie die Kontermutter völlig und entfernen Sie sie.
6. Hinter der Kontermutter befindet sich ein Kragen. Dieser sollte entfernt werden.
7. Hinter der Klinge befindet sich ein zweiter Kragen, der durch das Loch in der Mitte der Klinge sichtbar ist.
8. Fassen Sie die Klinge auf jeder Seite vorsichtig mit Ihren Fingern an. Ziehen Sie es leicht in Ihre Richtung, während Sie den Kragen mit Ihren Daumnägeln nach hinten drücken.
9. Sobald das Blatt frei ist, entfernen Sie es von der Antriebswelle.
10. Das Einsetzen erfolgt in umgekehrter Reihenfolge wie das Entfernen.  
Stellen Sie sicher, dass die Pfeile der Rotationsanzeige zu Ihnen zeigen und die Pfeile im Uhrzeigersinn zeigen.



# FEHLERBEHEBUNG

## LÖSUNGSHANDBUCH

### WAS SOLL ICH TUN WENN TEILE MEINER BESTELLUNG FEHLEN?

Wenn in Ihrer Bestellung ein Teil fehlt, wenden Sie sich innerhalb von 7 Tagen nach Erhalt an unser freundliches und hilfsbereites Kundendienstteam.

### WAS SOLL ICH TUN WENN DER MOTOR NICHT STARTET?

Wenn der Motor beim Drücken der grünen Starttaste nicht startet, liegt möglicherweise ein Problem mit der Stromversorgung vor. Der Schneider ist mit einem NVR-Schalter (Keine Spannungsfreigabe) ausgestattet. Dies bedeutet, dass der Schalter nur funktioniert, wenn eine Netzspannung anliegt. Wenn die grüne Taste beim Drücken nicht gedrückt bleibt, wird die Maschine nicht mit Strom versorgt. Überprüfen Sie, ob die Steckdose mit einem bekannten Arbeitsgerät wie einer Inspektionslampe mit Strom versorgt wird. Wenn dies funktioniert, überprüfen Sie die Sicherung im Stecker mit einem Messgerät oder einem Durchgangsprüfer. Wenn die Steckdose mit Strom versorgt wird und die Sicherung in Ordnung ist, ist der Schneider defekt und Sie sollten sich an den Kundendienst wenden.

### WAS SOLL ICH TUN WENN DER MOTOR STARTET ABER DIE KLINGE SICH NICHT ROTIERT?

Wenn der Motor startet, sich die Klinge jedoch nicht dreht oder unregelmäßig dreht, ist die Kontermutter wahrscheinlich locker. Trennen Sie den Schneider vom Stromnetz. Entfernen Sie die Schrauben von der Klingendeckung und legen Sie diese zur Seite. Lösen Sie die Kontermutter, indem Sie diese im Uhrzeigersinn drehen. Entfernen Sie die Kontermutter und den Außenring. Stellen Sie sicher, dass die Klinge richtig auf dem inneren Kragen sitzt. Ersetzen Sie den äußeren Kragen. Setzen Sie die Kontermutter ein und ziehen Sie sie fest, indem Sie sie gegen den Uhrzeigersinn drehen. Sobald der 19-mm-Sechskantschlüssel handfest über der Kontermutter und der Spindelschlüssel über der Spindel sitzt. Halten Sie die Spindel mit dem Spindelschlüssel fest, während Sie die Kontermutter mit dem Sechskantschlüssel gegen den Uhrzeigersinn festziehen. Bringen Sie die Messerabdeckung wieder an, bevor Sie die Maschine wieder anschließen und testen. Die Klinge sollte sich jetzt mit dem Motor drehen. Ist dies nicht der Fall, ist der Schneider defekt und Sie sollten sich an den Kundendienst wenden.

# FEHLERBEHEBUNG

## LÖSUNGSHANDBUCH

### WAS SOLL ICH TUN WENN DAS WASSER NICHT AUF DIE KLINGE GEPUMPT WIRD?

Das Wasser ist wichtig, um die Klinge zu kühlen und zu schmieren. Ohne sie kann die Klinge überhitzen und stumpf werden oder sogar die Fliese beschädigen. Das Wasser wird von einer elektrischen Pumpe in den Wasserbehälter gepumpt. Die wahrscheinlichste Ursache ist, dass sich nicht genügend Wasser im Reservoir befindet. Der Behälter ist 90 mm tief und sollte mindestens 45 mm Wasser enthalten. Wenn genügend Wasser vorhanden ist, funktioniert entweder die Pumpe nicht oder der Schlauch ist verstopft. Die Pumpe befindet sich im Vorratsbehälter direkt unterhalb der Stelle, an der das Rohr in das Reservoir eintritt. Schieben Sie den Motorwagen zum gegenüberliegenden Ende des Schneidbettes. Heben Sie das Ende über der Pumpe aus dem Vorratsbehälter und heben Sie die Pumpe heraus. Stützen Sie das Schneidbett auf seinen Gummifüßen am Ende des Vorratsbehälters. Ziehen Sie das Kunststoffrohr vom Anschluss an der Pumpe ab. Füllen Sie einen geeigneten Behälter (wie einen kleinen Eimer) mit Wasser und positionieren Sie ihn so, dass die Pumpe ins Wasser getaucht ist. Stützen Sie den Eimer oder lassen Sie ihn von einem Assistenten halten. Nachdem Sie zuerst sichergestellt haben, dass es sicher ist, schalten Sie den Schneidemotor ein. Dadurch wird die Pumpe gestartet und es sollte Wasser aus dem Rohrverbinder austreten. Ist dies nicht der Fall, ist die Pumpe defekt und Sie sollten sich an den Kundendienst wenden. Wenn Wasser abgepumpt wird, muss die Zuleitung verstopft sein.

Um auf das andere Ende der Wasserzuleitung zuzugreifen, entfernen Sie die Klinge. Entfernen Sie die vier Schrauben, mit denen der Messerschutz am Motorgehäuse befestigt ist. Entfernen Sie die Zuleitung vom Anschluss auf der Rückseite des Klingenschutzes. Es sollte dann möglich sein, die Verstopfung mit Luft oder Wasser zu beseitigen, die nach hinten in die Zuleitung gedrückt werden. Wenn das Rohr beschädigt ist, kann es ersetzt werden. Sobald es an beiden Enden getrennt ist, kann es durch die Schleppkette zurückgezogen werden. Eine geeignetes Kunststoffrohr (Innendurchmesser 6 mm) sollte durch die Schleppkette zurückgeführt werden. An beiden Enden wieder anschließen und den Fräser wieder zusammenbauen.

# FEHLERBEHEBUNG

## LÖSUNGSHANDBUCH

### WAS SOLL ICH TUN WENN DIE KLINGE DIE FLIESE NICHT SCHNEIDET?

Wenn der Fräser nicht schneidet, muss die Klinge möglicherweise gewechselt werden (siehe oben). Diese Klingen sind genau wie Bügelsägeblätter ein Verbrauchsartikel. Es gibt viele Quellen für diese Klingen und viele verschiedene Typen/Größen. Die wichtigste Größe ist die Scheibenbohrungsgröße. Dies ist der Durchmesser des Lochs in der Mitte der Klinge. Wenn dies zu klein ist, passt die Klinge einfach nicht. Wenn es zu groß ist, wird die Klinge nicht sicher gehalten und kann gefährlich wackeln und sich auflösen. Zweitens, aber fast genauso wichtig, ist der Schaufeldurchmesser. Die benötigte Klingengröße beträgt 200 x 25,4 mm.

Es gibt viele verschiedene Arten und Qualitäten von Klingen. Der Fräser wird mit einer universellen Diamantkanten-Schneidklinge mit durchgehendem Rand geliefert. Dies ist in den meisten Fällen in Ordnung. Wenn Sie eine große Anzahl sehr harter Fliesen (z. B. Granit) schneiden, ist eine speziellere Klinge möglicherweise besser.

### WAS SOLL ICH TUN WENN SICH DER MESSERKOPF NICHT BEWEGT?

Der Messerkopf bewegt sich auf Lagern in Schienen an der Unterseite der Brücke. Die Schienen sind mit Fett geschmiert. Wenn es sich nicht bewegt oder schwer zu bewegen ist, liegt dies wahrscheinlich an der Ansammlung von Fliesenstaub in den Schienen.

Verwenden Sie eine Nylonbürste und eine Art Entfetter oder Reinigungsmittel, um das alte Fett und den Staub zu entfernen. Bewegen Sie den Messerkopf an ein Ende der Schiene, während Sie die andere Hälfte reinigen. Schieben Sie den Messerkopf vorsichtig in die saubere Hälfte. Reinigen Sie die zweite Hälfte. Sobald die gesamte Strecke sauber und trocken ist, schmieren Sie sie erneut mit hochwertigem weißem Lithiumfett. Nicht überschmieren. Die Schienen müssen nur das Gewicht des Messerkopfes tragen, da beim Schneiden keine große Kraft erforderlich ist.

**FÜR ALLE ANDEREN FRAGEN KONTAKTIEREN  
SIE BITTE UNSER KUNDENUNTERSTÜTZUNGSTEAM.**



# ESPECIFICACIÓN

## DESCRIPCIÓN DEL PRODUCTO

La cortadora de losetas T-Mech es una máquina robusta y fácil de usar que le permitirá cortar la mayoría de los tipos de losetas de cerámicas a un nivel profesional.

## CONTENIDO DEL ARTÍCULO

1. Cama de corte
2. Depósito de Agua
3. Patas de apoyo
4. 8 tuercas de seguridad
5. Llave de tuercas de seguridad
6. Llave de tuercas
7. Tapón del depósito

La responsabilidad de Monster Group UK Limited estará limitada únicamente al valor comercial del producto.

# ESPECIFICACIÓN

## INFORMACIÓN TÉCNICA 720mm

- Voltaje: 230 V
- Potencia: 800W
- Índice de Protección: IP54
- Dimensiones de la cuchilla: 200mmx22.2mm
- Dimensiones de la mesa: 980 x 400mm
- Inclinación máxima de la cuchilla: 45°
- Profundidad máxima de corte: 35mm
- Corte paralelo: 720mm & Diagonal: 508mm

## INFORMACIÓN TÉCNICA 920mm

- Voltaje: 230 V
- Potencia: 1200W
- Índice de Protección: IP54
- Dimensiones de la cuchilla: 200mm x 25.4mm
- Dimensiones de la mesa: 1290 x 400mm
- Inclinación máxima de la cuchilla: 45°
- Profundidad máxima de corte: 36mm
- Corte paralelo: 920mm & Diagonal: 650mm

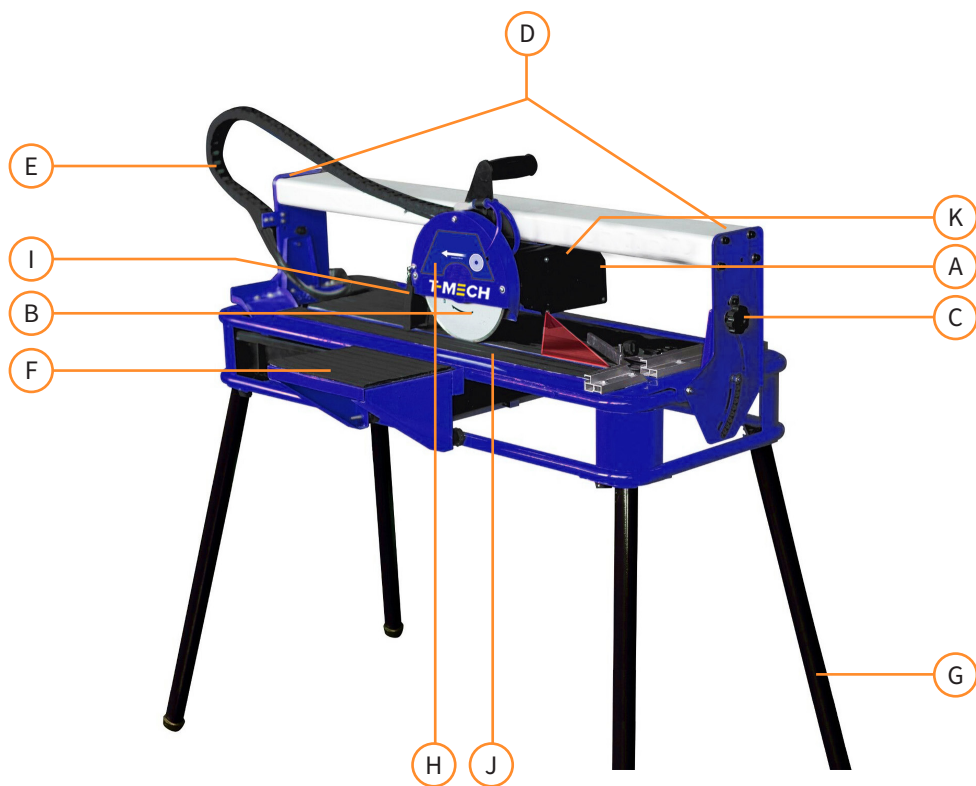
## INFORMACIÓN TÉCNICA 1200mm

- Voltaje: 230 V
- Potencia: 1400W
- Índice de Protección: IP54
- Dimensiones de la cuchilla: 230mm x 25.4mm
- Dimensiones de la mesa: 1377 x 400mm
- Inclinación máxima de la cuchilla: 45°
- Profundidad máxima de corte: 40mm
- Corte paralelo: 1200mm & Diagonal: 850mm

# ESPECIFICACIÓN

## CARACTERÍSTICAS DEL PRODUCTO 720mm

- A. Motor eléctrico de 800 Watts
- B. Cuchilla de corte de 200mm
- C. Cabeza de corte inclinable
- D. Topes de Extremo
- E. Cadena de arrastre de cable flexible
- F. Accesorio para baldosas
- G. Patas
- H. Protector de cuchilla
- I. Protector de spray
- J. Cama de corte
- K. Guía de corte láser

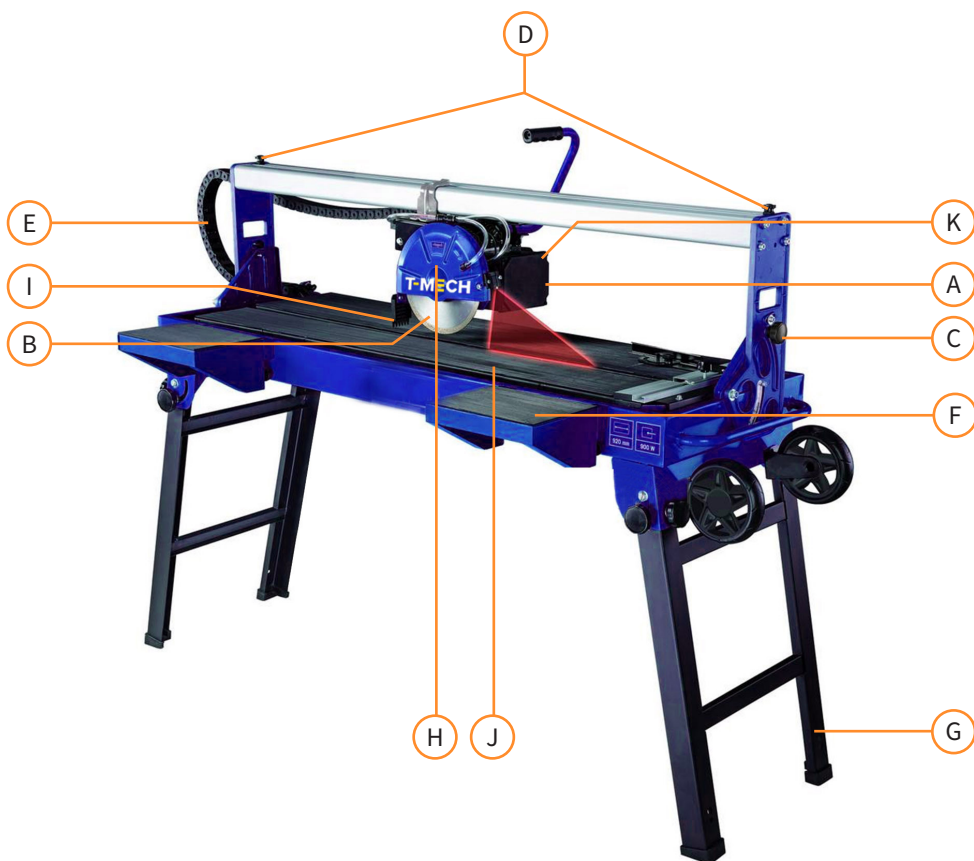




# ESPECIFICACIÓN

## CARACTERÍSTICAS DEL PRODUCTO 920mm

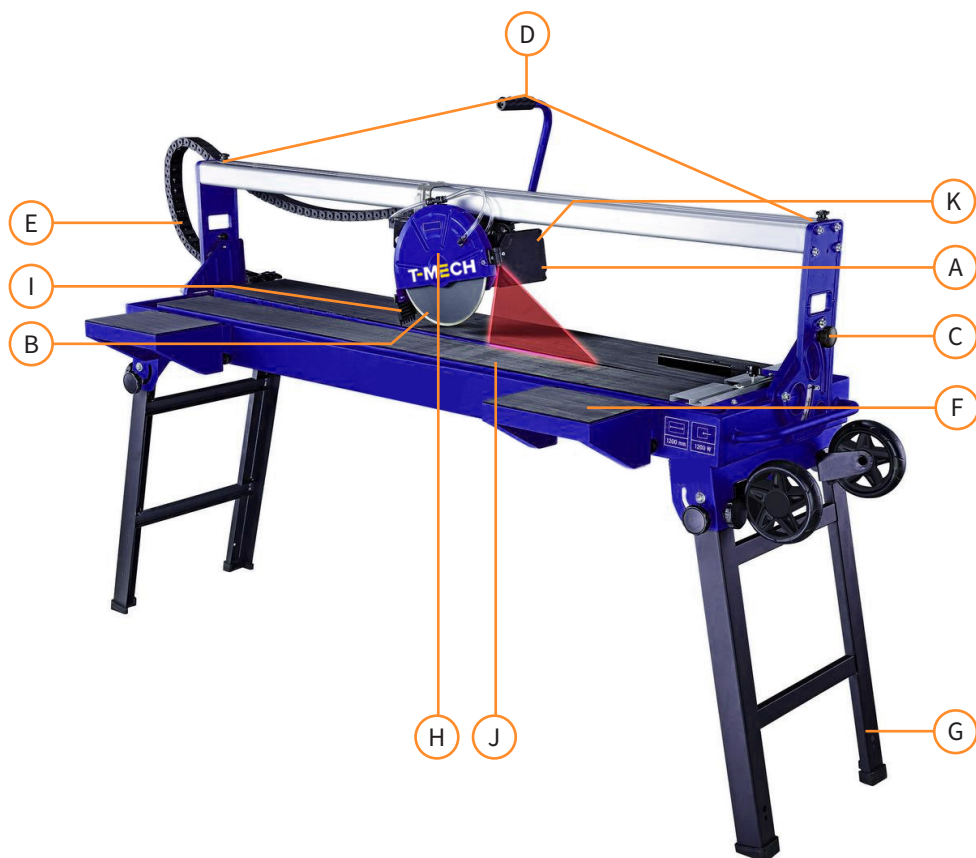
- |   |                          |
|---|--------------------------|
| A. Motor eléctrico de 1200 Watts        | G. Patas                 |
| B. Cuchilla de corte de 200mm           | H. Protector de cuchilla |
| C. Cabeza de corte inclinable           | I. Protector de spray    |
| D. Topes de Extremo                     | J. Cama de corte         |
| E. Cadena de arrastre de cable flexible | K. Guía de corte láser   |
| F. Accesorio para baldosas              |                          |



# ESPECIFICACIÓN

## CARACTERÍSTICAS DEL PRODUCTO 1200mm

- A. Motor eléctrico de 1400 Watts
- B. Cuchilla de corte de 230mm
- C. Cabeza de corte inclinable
- D. Topes de Extremo
- E. Cadena de arrastre de cable flexible
- F. Accesorio para baldosas
- G. Patas
- H. Protector de cuchilla
- I. Protector de spray
- J. Cama de corte
- K. Guía de corte láser



# CONSEJOS DE SEGURIDAD

## PRÁCTICAS DE TRABAJO SEGURO

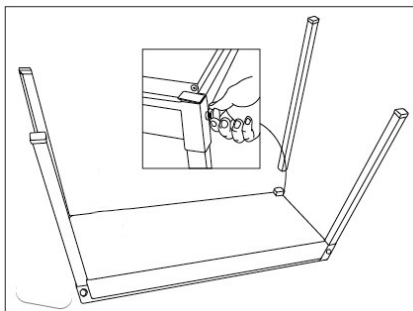
Por favor lea las Prácticas de trabajo seguro para garantizar la prevención de lesiones o daños al dispositivo.

- Observe todas las regulaciones locales de salud y seguridad.
- No utilice este producto para ningún otro fin que no sea el previsto.
- Asegúrese de haber leído y entendido por completo el manual de instrucciones y los consejos de seguridad antes de usar este producto.
- Considere el ambiente del área de trabajo. No exponga las herramientas a la lluvia. No use herramientas en lugares húmedos o mojados y mantenga el área de trabajo bien iluminada.
- Asegúrese de que este producto esté ensamblado de forma segura.
- Asegúrese de que este producto esté almacenado en un lugar seguro.
- Asegúrese de que todos los demás materiales utilizados con este producto estén a la altura.
- Nunca permita que los niños usen o se paren cerca de esta máquina mientras está en uso.
- Nunca realice ningún tipo de mantenimiento o ajuste en la máquina sin antes desenchufarla.
- Vista apropiadamente. Asegúrese de que ninguna ropa suelta, joyas o cabello queden atrapados en la máquina.
- Use equipo de protección personal. Deben utilizarse protectores auditivos, lentes protectores y una máscara facial.
- Use zapatos antiderrapantes. Si se cortan losetas grandes, use zapatos de seguridad.
- Esta máquina debe alimentarse mediante un RCD de toma de corriente o un RCD portátil.
- No aplique peso corporal a este producto.
- No tome el agua que se usa en este producto.
- No fuerce la herramienta. Emplee una presión suave que permita que la cuchilla corte a su propio ritmo.
- No deje la máquina desatendida mientras está en funcionamiento.
- No toque la cuchilla mientras esté caliente.
- No toque la cuchilla mientras está en funcionamiento.
- Apague este producto si comienza a salir humo. No lo use nuevamente por una hora.
- Durante el apagado, no abandone la máquina hasta que se haya parado por completo.
- Apague siempre antes de hacer cualquier ajuste.
- Nunca levante la plataforma de corte por medio de un cable o tubería.
- Revise la manguera y el kit de agua antes de cada uso. No lo use si la manguera o el kit de agua si están dañados.

# GUÍA DE USUARIO

## INSTRUCCIONES DE ENSAMBLE

1. Retire el contenido de la caja y verifique que todo esté ahí. Si algo falta, consulte Solución de Problemas.
2. Levante la cama de corte del depósito de agua y colóquelo a un lado.
3. Invierta el depósito e inserte las cuatro patas. Asegúrese de que las patas estén orientadas de manera que los pies se extiendan hacia afuera. Inserte dos tuercas de seguridad en cada pata y apriete.
4. Dé la vuelta al depósito y asegúrese de que se encuentra de pie sobre sus cuatro patas.
5. Inserte el tapón de goma en el orificio de drenaje.
6. Fije el soporte angular al marco del depósito y conecte el extremo libre de la cadena de arrastre.
7. Inserte la cama de corte en el depósito asegurándose de que el cable de corriente no quede atrapado y que la bomba de agua está correctamente posicionada.

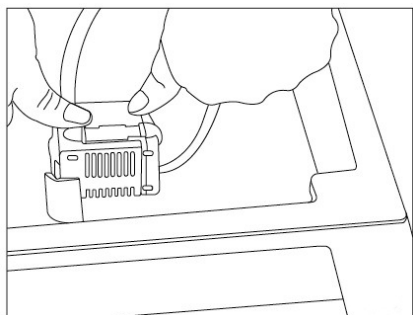


## INSTRUCCIONES DE OPERACIÓN

### LLENANDO EL DEPÓSITO DE AGUA

El agua se alimenta desde el depósito a la cuchilla a través de una bomba. Esta es una bomba alimentada por la electricidad. La tensión de red y el agua no van bien juntos. Revise la bomba y el cable en busca de signos de daños antes de llenar el depósito. **NO UTILIZAR** si hay signos de daños.

Llene el depósito a través del espacio por encima de la bomba de agua, asegurándose de que la entrada de la bomba esté completamente sumergida. El agua se evaporará durante el corte de la loseta, rellene si es necesario. Nunca permita que la bomba funcione en seco.



# GUÍA DE USUARIO

## INSTRUCCIONES DE OPERACIÓN

### UTILIZANDO

Antes de cada uso, se debe examinar el cortador para asegurarse de que sea seguro.

- Compruebe el cable de alimentación en busca de signos de cortes o desgaste.
- Verifique las tuercas de seguridad en las patas para asegurarse de que estén apretadas y que la máquina esté estable.
- Retire la cubierta y verifique la cuchilla. Si hay grietas o astillas en la cuchilla, será necesario reemplazarla antes de poder usar el cortador. ¡NO use una cuchilla dañada! Utilice únicamente cuchillas recomendadas para este tipo de cortador.
- Compruebe que el protector de la cuchilla y el protector de Spray estén en su lugar.
- Compruebe que la fuente de alimentación tenga el voltaje correcto para la máquina.
- Revise la bomba de agua en busca de signos de desgaste o daños.

Una vez que esté satisfecho con que todo está bien, está listo para comenzar a cortar. La cortadora está equipada con un enchufe estándar de 13 pines y 3 clavijas. Se recomienda que esta cortadora se alimente a través de un RCD portátil. Esto debe insertarse en un enchufe de 13A adecuado. El cable de alimentación mide aproximadamente 1,5 m de largo y tenga en cuenta que el cable se mueve con el cabezal de corte. Una vez enchufado, proceda de la siguiente manera:

1. Asegúrese de que la cama de corte esté limpia y libre de escombros.
2. Marque una línea en el mosaico donde desea cortar y coloque el mosaico contra el tope.
3. Deslice el cabezal de corte hacia adelante hasta que la cuchilla esté casi tocando el loseta.
4. Ajuste la posición de la loseta hasta que la cuchilla y la marca se alineen.
5. Encienda el motor, esto también arrancará la bomba de agua. Permita que el motor alcance velocidad máxima.
6. Mueva suavemente el cabezal de corte hacia adelante hasta que haga contacto con el borde del mosaico y comience a cortar.
7. Mantenga una presión suave hacia adelante. Permita que la cuchilla corte sin forzarla. Esto prolongará la vida útil de la cuchilla y reducirá el riesgo de rotura tanto de la cuchilla como del mosaico.
8. Una vez que se complete el corte, apague el motor, permita que la cuchilla se detenga por completo de forma natural y retire las secciones de losetas. ¡Nunca aplique presión lateral para detener la cuchilla rápidamente!
9. Para cortar una loseta en ángulo, fije la guía del ángulo a los topes y ajústelo al ángulo requerido. Coloque la loseta contra la guía angular y ajústelo hasta que la marca de corte quede alineada con la cuchilla.
10. Para cortar un borde biselado en una loseta, desabroche las tuercas de seguridad en ambos extremos del puente de la sierra. Inclíne todo el puente / cabezal de corte hacia el ángulo requerido indicado por el punto de referencia en la escala.

# GUÍA DE USUARIO

## INSTRUCCIONES DE OPERACIÓN

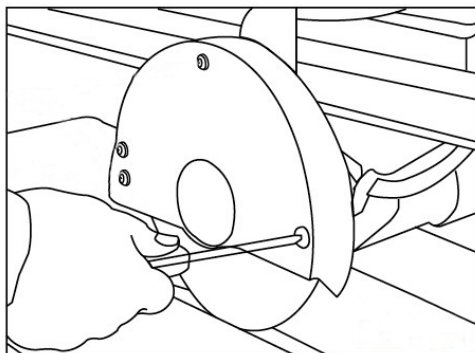
### DESPUÉS DE USAR

¡Una vez que se completa el corte, desenchufe el cortador de la red eléctrica! Coloque un recipiente adecuado debajo del orificio de drenaje. El tapón de goma se puede empujar hacia arriba en el depósito para permitir que el agua se drene. Se puede lavar la cama de corte ahora. Lo escurrido se drenará en el contenedor. Una vez que la cama de corte esté limpio, se debe sacar del depósito y colocarlo a un lado. Ahora se puede enjuagar el depósito y reemplazar el tapón de drenaje. Una vez que esté limpia y seca la cama de corte, se puede volver a colocar en su lugar.

### CAMBIANDO LA CUCHILLA

Después de un período de tiempo, será necesario cambiar la cuchilla. El período de tiempo depende del grosor, tipo y longitud de las losetas que se cortan. Las losetas duras como el mármol o el granito harán que la cuchilla se desgaste más rápidamente. Para cambiar la cuchilla, proceda de la siguiente manera:

1. Asegúrese de que el cortador esté desconectado de la red eléctrica.
2. Retire los tornillos de retención de la cubierta del protector de la cuchilla y retírela.
3. Coloque la llave hexagonal de 19 mm sobre la tuerca de seguridad.
4. Coloque la llave de tuercas sobre el eje.
5. Sosteniendo el eje en su lugar usando la llave inglesa, gire la tuerca de seguridad en sentido horario para liberarlo. Desenrosque la tuerca de seguridad por completo y retírela.
6. Detrás de la tuerca de seguridad hay un collar. Este debería ser retirado.
7. Detrás de la cuchilla hay un segundo collar visible a través del orificio en el centro de la cuchilla.
8. Sujete suavemente la cuchilla por ambos lados con sus dedos. Tire hacia usted un poco mientras empuja el collar hacia atrás con la uña del pulgar.
9. Una vez libre, maniobre con la cuchilla sin del eje de transmisión.
10. El reemplazo es al reverso de extracción. Asegúrese de que las flechas indicadoras de rotación estén mirando hacia usted y las flechas apunten en el sentido de las agujas del reloj.



# SOLUCIÓN DE PROBLEMAS

## GUÍA DE RESOLUCIÓN

### ¿QUÉ HAGO SI FALTAN PIEZAS EN MI PEDIDO?

Si parece que le falta alguna parte a su pedido, comuníquese con nuestro amable y servicial Equipo de Atención al Cliente dentro de los 7 días posteriores a la recepción.

### ¿QUÉ HAGO SI EL MOTOR NO ARRANCA?

Si el motor no arranca cuando presiona el botón verde de arranque, puede haber un problema con la fuente de alimentación. La cortadora está equipada con un interruptor de liberación sin voltaje (NVR). Esto significa que el interruptor solo funcionará si hay una tensión de red. Si el botón verde no permanece dentro cuando se presiona, entonces no hay alimentación de la máquina. Verifique que haya corriente en el enchufe con un dispositivo que funcione, como una lámpara de inspección. Si esto funciona, verifique el fusible en el enchufe con un medidor o probador de continuidad. Si hay corriente en el enchufe y el fusible está bien, el cortador está defectuoso y debe comunicarse con el servicio al cliente.

### ¿QUÉ HAGO SI EL MOTOR ARRANCA PERO LA CUCHILLA NO GIRA?

Si el motor arranca pero la cuchilla no gira o gira erráticamente, entonces la tuerca de seguridad probablemente esté floja. Desenchufe el cortador de la red eléctrica. Retire los tornillos de la cubierta de la cuchilla y muévalos hacia un lado. Afloje la tuerca de seguridad girándola en el sentido de las agujas del reloj. Retire la tuerca de seguridad y el collar externo. Asegúrese de que la cuchilla esté asentada correctamente en el collar interno. Reemplace el collar externo. Coloque la tuerca de seguridad y apriétela girándola en contrarreloj. Una vez apretado, coloque la llave hexagonal de 19 mm sobre la tuerca de seguridad y la llave del eje sobre el eje. Sujete el eje firmemente con la llave de eje mientras aprieta la contratuerca con la llave hexagonal en sentido de contrarreloj. Vuelva a colocar la cubierta de la cuchilla antes de volver a enchufar la máquina y probar. La cuchilla ahora debe girar con el motor. Si no es así, el cortador está defectuoso y debe comunicarse con el servicio al cliente.

# SOLUCIÓN DE PROBLEMAS

## GUÍA DE RESOLUCIÓN

### ¿QUÉ HAGO SI EL AGUA NO SE ESTÁ BOMBEANDO HACIA LA CUCHILLA?

El agua es esencial para enfriar y lubricar la cuchilla. Sin ella, la cuchilla puede sobrecalentarse y quedar sin filo o incluso dañar la loseta. El agua es bombeada por una bomba eléctrica en el depósito de agua. La causa más probable es que no hay suficiente agua en el depósito. El depósito tiene una profundidad de 90 mm y debe tener al menos 45 mm de agua. Si hay suficiente agua, entonces la bomba no funciona o el tubo está bloqueado. La bomba se encuentra en el depósito, justo debajo del punto donde entra la tubería. Empuje el carro del motor hacia el extremo opuesto de la plataforma de corte. Levante el extremo por encima de la bomba fuera del depósito y levante la bomba. Apoye la cama de corte sobre sus pies de goma al extremo del depósito. Saque el tubo de plástico del conector de la bomba. Llene un recipiente adecuado (como un balde pequeño) con agua y colóquelo de modo que la bomba quede sumergida en el agua. Apoye el balde u obtenga un asistente para sostener eso. Después de asegurarse de que es seguro, encienda el motor de la cortadora. Esto arrancará la bomba y se verá agua saliendo del conector de la tubería. Si no es así, la bomba está defectuosa y debe comunicarse con el servicio al cliente. Si se bombea agua, entonces la tubería de alimentación debe estar bloqueada.

Para acceder al otro extremo de la tubería de alimentación de agua, retire la cuchilla. Retire los cuatro tornillos que sujetan el protector de la cuchilla a la carcasa del motor. Retire la tubería de alimentación del conector en la parte posterior del protector de la cuchilla. Entonces debería ser posible eliminar el bloqueo con aire o agua empujado hacia atrás por la tubería de alimentación. Si la tubería está dañada, se puede reemplazar. Una vez desconectada en ambos extremos, puede retirarse a través de la cadena de arrastre. Se debe obtener una longitud adecuada o un tubo de plástico transparente (diámetro interno de 6 mm) y retroalimentarlo a través de la cadena de arrastre. Vuelva a conectar en ambos extremos y vuelva a armar el cortador.



# SOLUCIÓN DE PROBLEMAS

## GUÍA DE RESOLUCIÓN

### ¿QUÉ HAGO SI LA CUCHILLA NO CORTA LA LOSETA?

Si la cuchilla no corta, entonces es posible que sea necesario cambiar la cuchilla (ver arriba). Estas cuchillas son un elemento consumible al igual que las cuchillas de sierra. Hay muchas fuentes para estas cuchillas y muchos tipos / tamaños diferentes. El tamaño más importante es el tamaño del agujero del disco. Este es el diámetro del orificio en el centro de la cuchilla. Si este es demasiado pequeño, la cuchilla simplemente no encajará. Si es demasiado grande, la cuchilla no se sostendrá de forma segura y puede tambalearse peligrosamente y desintegrarse. En segundo lugar, pero casi tan importante, es el diámetro de la cuchilla. El tamaño de la cuchilla que necesita es 200 x 25.4 mm.

Hay muchos tipos y calidades diferentes de cuchillas. La cortadora se suministra con una cuchilla de corte de losetas de borde continuo con bordes de diamante de uso general. Esto estará bien en la mayoría de los casos. Si está cortando una gran cantidad de losetas muy duras (granito, por ejemplo), una cuchilla más especializada puede ser mejor.

### ¿QUÉ HAGO SI LA CABEZA DE CORTE NO SE MUEVE?

El cabezal de corte se mueve sobre rodamientos en pistas en la parte inferior del puente. Las pistas están lubricadas con grasa. Si no se mueve o es difícil de mover, esto probablemente se deba a una acumulación de polvo de losetas en las pistas. Use un cepillo de nylon y algún tipo de desengrasante o detergente para eliminar la grasa y el polvo viejos. Mueva el cabezal de corte hacia un extremo de la pista mientras limpia la otra mitad. Deslice suavemente el cabezal de corte hacia la mitad limpia. Limpie la segunda mitad. Una vez que toda la pista está limpia y seca, re-lubricar con grasa de litio blanco de calidad. No lubrique en exceso. Las pistas solo tienen que soportar el peso del cabezal de corte, ya que no hay una gran fuerza involucrada en la operación de corte.

**PARA TODOS LOS OTROS PROBLEMAS, CONTACTE A NUESTRO EQUIPO DE APOYO AL CLIENTE.**

# SPECIFICHE TECNICHE

## DESCRIZIONE PRODOTTO

Il tagliapiastrelle T-Mech è una macchina robusta e facile da usare che permette di tagliare la maggior parte dei tipi di piastrelle in ceramica a un livello professionale.

## CONTENUTO DELLA SCATOLA

1. Banco da taglio
2. Serbatoio dell'acqua
3. Gambe di supporto
4. 8 controdadi
5. Chiave per controdado
6. Chiave per mandrino
7. Tappo del serbatoio

La responsabilità di Monster Group UK Limited sarà limitata al solo valore commerciale del prodotto.

# SPECIFICHE TECNICHE

## INFORMAZIONI TECNICHE 720mm

- Tensione: 230 V
- Potenza: 800 W
- Grado di protezione: IP54
- Dimensioni lama: 200 mm x 22,2 mm
- Dimensioni banco: 980 x 400 mm
- Inclinazione massima lama: 45°
- Profondità di taglio massima: 35 mm
- Rip Cut: 720 mm & Diagonale: 508 mm

## INFORMAZIONI TECNICHE 920mm

- Tensione: 230 V
- Potenza: 1200W
- Grado di protezione: IP54
- Dimensioni lama: 200 mm x 25,4 mm
- Dimensioni banco: 1290 x 400 mm
- Inclinazione massima lama: 45°
- Profondità di taglio massima: 36 mm
- Rip Cut: 920 mm & Diagonale: 650 mm

## INFORMAZIONI TECNICHE 1200mm

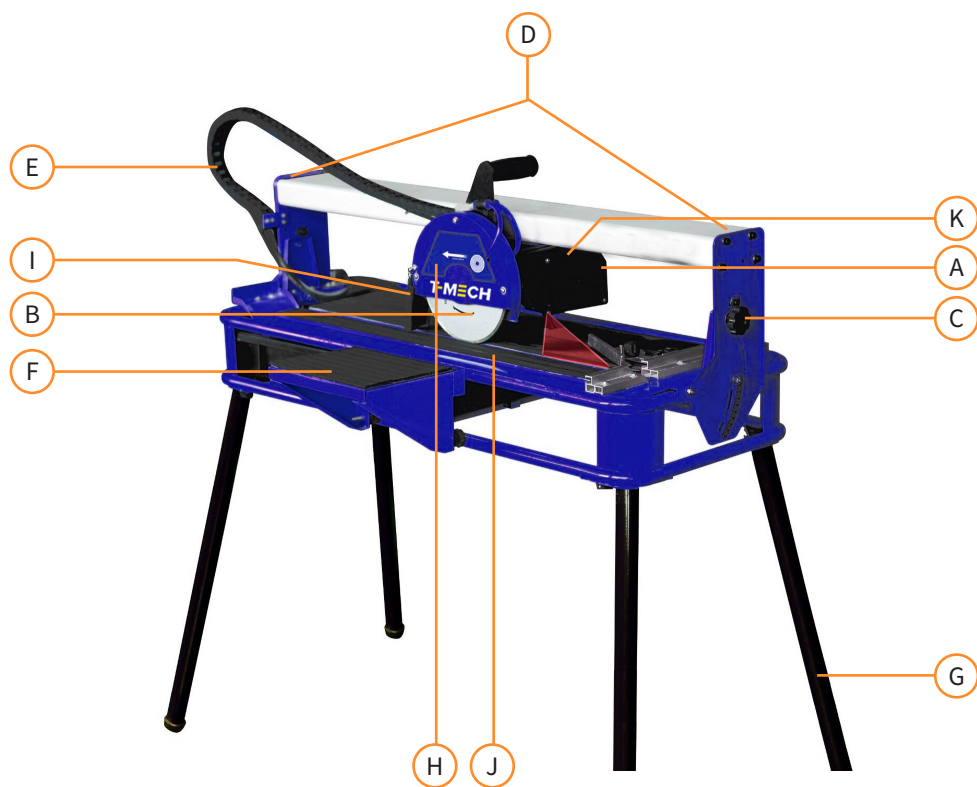
- Tensione: 230 V
- Potenza: 1400W
- Grado di protezione: IP54
- Dimensioni lama: 230 mm x 25,4 mm
- Dimensioni banco: 1377 x 400 mm
- Inclinazione massima lama: 45°
- Profondità di taglio massima: 40 mm
- Rip Cut: 1200 mm & Diagonale: 850 mm

# SPECIFICHE TECNICHE

## CARATTERISTICHE DEL PRODOTTO 720mm

- A. Motore elettrico da 800 Watt
- B. Lama da taglio 200 mm
- C. Testa da taglio inclinabile
- D. Finecorsa
- E. Catena portacavi flessibile
- F. Attacco per mensola piastrella

- G. Gambe
- H. Protezione lama
- I. Protezione antispruzzo
- J. Banco da taglio
- K. Guida taglio laser

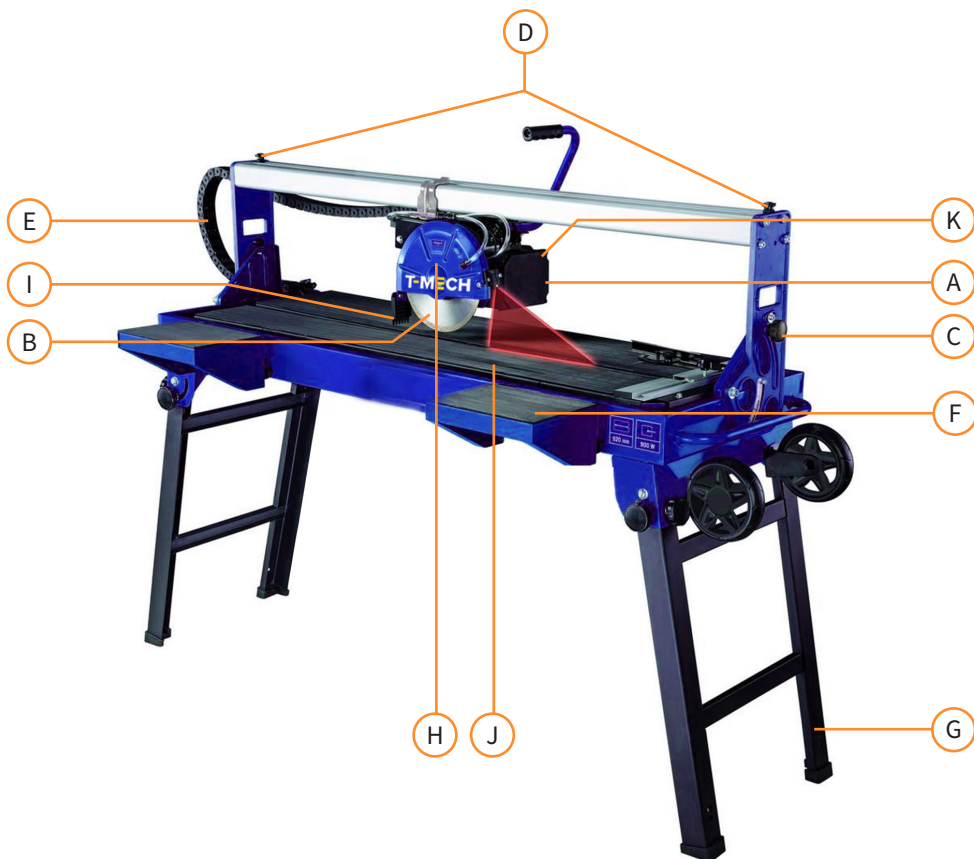


# SPECIFICHE TECNICHE

## CARATTERISTICHE DEL PRODOTTO 920mm

- A. Motore elettrico da 1200 Watt
- B. Lama da taglio 200 mm
- C. Testa da taglio inclinabile
- D. Finecorsa
- E. Catena portacavi flessibile
- F. Attacco per mensola piastrella

- G. Gambe
- H. Protezione lama
- I. Protezione antispruzzo
- J. Banco da taglio
- K. Guida laser

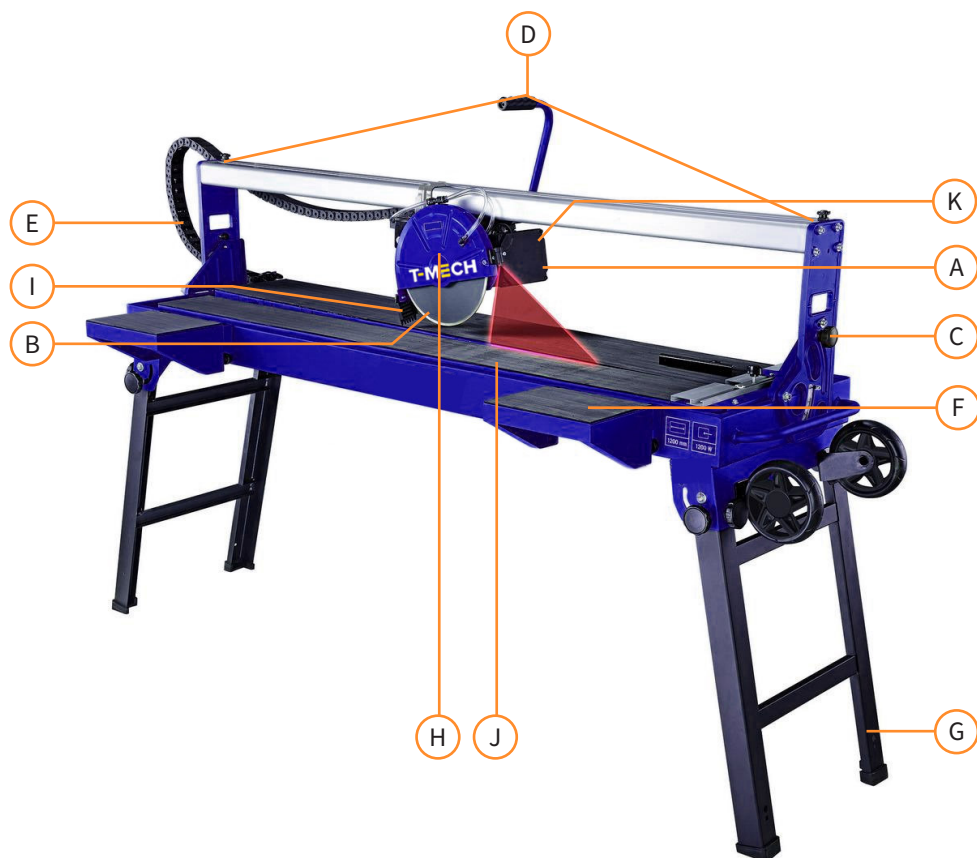


# SPECIFICHE TECNICHE

## CARATTERISTICHE DEL PRODOTTO 1200mm

- A. Motore elettrico da 1400 Watt
- B. Lama da taglio 230mm
- C. Testa da taglio inclinabile
- D. Finecorsa
- E. Catena portacavi flessibile
- F. Attacco per mensola piastrella

- G. Gambe
- H. Protezione lama
- I. Protezione antispruzzo
- J. Banco da taglio
- K. Guida taglio laser



# CONSIGLI DI SICUREZZA

## LAVORO SICURO

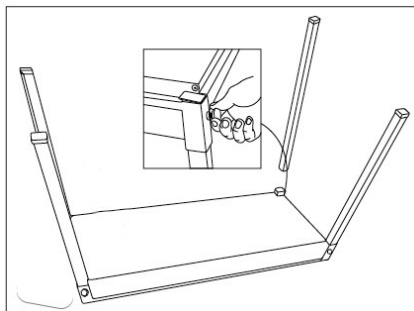
Leggere le pratiche di lavoro sicuro al fine di prevenire lesioni o danni al dispositivo.

- Rispettare tutte le norme di sicurezza del vostro paese.
- Non utilizzare questo prodotto per scopi diversi da quelli previsti.
- Assicurarsi di aver letto e compreso il manuale di istruzioni e i consigli di sicurezza prima di utilizzare questo prodotto.
- Considerare l'ambiente dell'area di lavoro. Non esporre a pioggia. Non utilizzare in luoghi umidi o bagnati e mantenere l'area di lavoro ben illuminata.
- Assicurarsi che questo prodotto sia assemblato in modo sicuro.
- Assicurarsi che questo prodotto sia conservato in un luogo sicuro.
- Accertarsi che tutti gli altri materiali utilizzati con questo prodotto siano conformi agli standard.
- Non permettere mai ai bambini di usare o stare vicino a questa macchina mentre è in uso.
- Non eseguire mai alcun tipo di manutenzione o regolazione sulla macchina senza prima scollegarla.
- Vestirsi in modo appropriato. Assicurarsi che vestiti larghi, gioielli o capelli non possano rimanere incastrati nella macchina.
- Indossare dispositivi di protezione personale. Cuffie antirumore, occhiali protettivi e una mascherina devono essere indossati durante l'uso della macchina.
- Indossare scarpe antiscivolo. Se si tagliano piastrelle di grandi dimensioni, indossare scarpe antinfortunistiche.
- Questa macchina deve essere alimentata tramite un RCD con presa di corrente o un RCD portatile.
- Non posizionare il peso corporeo su questo prodotto.
- Non bere l'acqua utilizzata in questo prodotto.
- Non forzare gli attrezzi. Usare una leggera pressione che consenta alla lama di tagliare seguendo il suo ritmo.
- Non lasciare la macchina incustodita mentre è in funzione.
- Non toccare la lama mentre è calda.
- Non toccare la lama durante il funzionamento.
- Spegnere questo prodotto se si inizia a vedere del fumo. Non riutilizzare per un'ora.
- Non lasciare la macchina incustodita fino a quando lo spegnimento non sarà completo.
- Spegnere sempre prima di effettuare qualsiasi regolazione.
- Non sollevare mai il piano da taglio utilizzando il cavo o il tubo.
- Controllare il tubo e il serbatoio prima di ogni utilizzo. Non utilizzare se il tubo flessibile o il serbatoio sono danneggiati.

# GUIDA UTENTE

## ISTRUZIONI DI MONTAGGIO

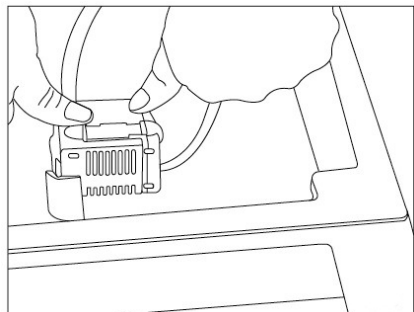
1. Rimuovere il contenuto dalla confezione e verificare che tutti i componenti siano presenti. In caso di componenti mancanti, fare riferimento alla sezione Risoluzione dei Problemi.
2. Sollevare il banco da taglio dal serbatoio dell'acqua e metterlo da parte.
3. Invertire il serbatoio e inserire le quattro gambe. Assicurarsi che le gambe siano orientate in modo tale che i piedi siano distesi verso l'esterno. Inserire due controdadi in ciascuna gamba e stringere.
4. Capovolgere il serbatoio e assicurarsi che stia ben dritto sui suoi quattro piedi.
5. Inserire il tappo di gomma nel foro di scarico.
6. Collegare la staffa angolare al telaio del serbatoio e collegare l'estremità libera della catena portacavi.
7. Inserire il banco da taglio nel serbatoio assicurandosi che il cavo di alimentazione sia libero e che la pompa dell'acqua sia posizionata correttamente.



## ISTRUZIONI PER L'USO

### RIEMPIRE IL SERBATOIO DELL'ACQUA

L'acqua viene alimentata dal serbatoio alla lama tramite una pompa. Questa è una pompa alimentata dalla rete elettrica. Acqua ed elettricità non devono essere mischiate. Controllare che la pompa e il cavo non presentino segni di danneggiamento prima di riempire il serbatoio. **NON USARE** se ci sono segni di danneggiamento. Riempire il serbatoio attraverso la fessura sopra la pompa dell'acqua, assicurandosi che l'ingresso della pompa sia completamente immerso. L'acqua evaporerà durante il taglio delle piastrelle. Se necessario, riempire nuovamente. Non lasciare mai che la pompa funzioni a secco.





# GUIDA UTENTE

## ISTRUZIONI PER L'USO

### TILIZZO

Prima di ogni utilizzo, il tagliapiastrelle deve essere esaminato per assicurarsi che sia sicuro da usare.

- Controllare il cavo di alimentazione per segni di tagli o abrasioni.
- Controllare i controdadi sui piedini per assicurarsi che siano serrati e che la macchina sia stabile.
- Rimuovere il coperchio e controllare la lama. Se ci sono crepe o scheggiature nella lama, dovrà essere sostituita prima di poter usare il tagliapiastrelle. NON utilizzare una lama danneggiata! Utilizzare solo lame consigliate per questo tipo di macchina.
- Controllare che la protezione della lama e la protezione antispruzzo siano in posizione.
- Verificare che l'alimentazione sia della tensione corretta per la macchina.
- Controllare la pompa dell'acqua per segni di usura o danni.

Una volta soddisfatti che tutto vada bene, sarete pronti per iniziare a tagliare. Il tagliapiastrelle è dotato di una spina standard a 3 poli 13A. Si consiglia di alimentare la macchina con un RCD portatile. Questo dovrebbe essere inserito in una presa 13A idonea. Il cavo di alimentazione è lungo circa 1,5 m ed è necessario tenere presente che il cavo si sposta con la testa della macchina. Una volta collegato, procedere come segue:

1. Assicurarsi che il banco da taglio sia pulito e privo di detriti.
2. Contrassegnare una linea sulla piastrella che si desidera tagliare e posizionare la piastrella contro il punto d'arresto.
3. Far scorrere la testa della taglierina in avanti finché la lama sarà quasi a contatto con la piastrella.
4. Regolare la posizione della piastrella fino a quando la lama e il segno marcato in saranno allineati.
5. Accendere il motore per avviare anche la pompa dell'acqua. Consentire al motore di raggiungere la piena velocità.
6. Spostare delicatamente la testa da taglio in avanti fino a quando non sarà a contatto con il bordo della piastrella e inizierà a tagliare.
7. Mantenere una leggera pressione in avanti. Lasciare che la lama tagli senza forzarla. Ciò prolungherà la vita della lama e ridurrà il rischio di rottura sia della lama che della piastrella.
8. Una volta completato il taglio, spegnere il motore, consentire alla lama di fermarsi completamente in modo naturale e rimuovere le sezioni delle piastrelle. Non applicare mai una pressione laterale per arrestare rapidamente la lama!
9. Per tagliare una piastrella inclinata, fissare la guida angolare ai fine corsa e regolare l'angolazione desiderata. Posizionare la piastrella contro la guida angolare e regolare fino a quando il segno di taglio è allineato con la lama.
10. Per tagliare un bordo smussato su una piastrella, svitare i controdadi su entrambe le estremità del ponte. Inclinare l'intero ponte/testa di taglio fino all'angolo richiesto, indicato dal punto di riferimento sulla scala.

# GUIDA UTENTE

## ISTRUZIONI PER L'USO

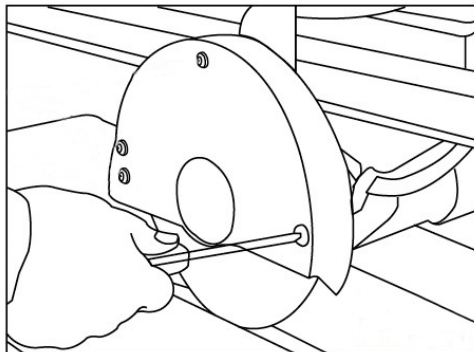
### DOPO L'USO

Una volta completato il taglio, scollegare il tagliapiastrelle dalla corrente!  
Posizionare un contenitore adatto sotto al foro di scarico. Il tappo di gomma può essere spinto verso l'alto nel serbatoio per consentire all'acqua di defluire. Il banco da taglio può ora essere lavato. Il deflusso verrà scaricato nel contenitore. Una volta pulito il piano di taglio, è necessario sollevarlo dal serbatoio e metterlo da parte. Ora è possibile sciacquare il serbatoio e sostituire il tappo di scarico. Una volta pulito e asciutto, il banco da taglio può essere rimesso in posizione.

### SOSTITUZIONE DELLA LAMA

Dopo un certo periodo di tempo, la lama dovrà essere sostituita. La durata dipende dallo spessore, dal tipo e dalla lunghezza delle piastrelle da tagliare. Piastrelle dure come marmo o granito consumeranno la lama più rapidamente. Per cambiare la lama, procedere come segue:

1. Assicurarsi che la macchina sia scollegata dalla rete elettrica.
2. Rimuovere le viti di fissaggio dal coperchio della protezione della lama e rimuovere il coperchio.
3. Posizionare la chiave esagonale da 19 mm sul dado di bloccaggio.
4. Posizionare la chiave del mandrino sul mandrino.
5. Tenendo il mandrino in posizione utilizzando la chiave per mandrino, ruotare il controdado in senso orario per rilasciarlo. Svitare completamente il controdado e rimuoverlo.
6. Dietro il controdado vi è un collare. Questo andrà rimosso.
7. Dietro la lama è visibile un secondo collare attraverso il foro al centro della lama.
8. Afferrare delicatamente la lama su ciascun lato con le dita. Tirarla leggermente verso se stessi mentre si spinge indietro il collare con le unghie dei pollici.
9. Liberare quindi la lama dall'albero di trasmissione.
10. Per sostituire la lama, effettuare l'operazione inversa a quella di rimozione. Assicurarsi che le frecce dell'indicatore di rotazione siano rivolte verso se stessi e puntino in senso orario.



# RISOLUZIONE DEI PROBLEMI

## GUIDA ALLA RISOLUZIONE

### COSA FARE IN CASO DI PARTI MANCANTI?

Se sembra che manchi qualche parte del tuo ordine, contatta il nostro team di assistenza clienti entro 7 giorni dal ricevimento.

### COSA FARE SE IL MOTORE NON SI AVVIA?

Se il motore non si avvia quando si preme il pulsante di avvio verde, potrebbe esserci un problema con l'alimentatore. La macchina è dotata di un interruttore per il rilascio senza tensione (NVR). Ciò significa che l'interruttore funzionerà solo se è presente una tensione di rete. Se, dopo aver premuto il pulsante verde, questo non rimane premuto, significa che la macchina non è alimentata dalla rete elettrica. Verificare che la presa sia alimentata con un dispositivo funzionante, ad esempio una lampada di ispezione. Se funziona, controllare il fusibile nella spina con un misuratore o un tester di continuità. Se la presa è alimentata e il fusibile è a posto, la macchina è difettosa e ti consigliamo di contattare l'assistenza clienti.

### COSA FARE SE IL MOTORE SI AVVIA MA LA LAMA NON GIRA?

Se il motore si avvia ma la lama non gira o gira in modo irregolare, è probabile che il controdado sia allentato. Scollegare la macchina dalla rete elettrica. Rimuovere le viti dal coperchio della lama e metterlo da parte. Svitare il controdado ruotandolo in senso orario. Rimuovere il controdado e il collare esterno. Accertarsi che la lama sia posizionata correttamente sul collare interno. Sostituire il collare esterno. Montare il controdado e stringerlo ruotandolo in senso antiorario. Una volta stretto a mano, inserire la chiave esagonale da 19 mm sul controdado e la chiave del mandrino sul mandrino. Tenere fermo il mandrino con la chiave del mandrino mentre si stringe il controdado con la chiave esagonale in senso antiorario. Rimontare il coperchio della lama prima di ricollegare e testare la macchina. La lama dovrebbe ora girare con il motore. In caso contrario, la taglierina è difettosa. Contattare l'assistenza clienti.

# RISOLUZIONE DEI PROBLEMI

## GUIDA ALLA RISOLUZIONE

### COSA FARE SE L'ACQUA NON VIENE POMPATA SULLA LAMA?

L'acqua è essenziale per raffreddare e lubrificare la lama. Senza acqua, la lama potrebbe surriscaldarsi e diventare smussata o addirittura danneggiare la piastrina. L'acqua viene pompata da un' elettropompa nel serbatoio. La causa più probabile è che non vi abbastanza acqua nel serbatoio. Il serbatoio ha una profondità di 90 mm e dovrebbe contenere almeno 45 mm di acqua. Se vi è acqua sufficiente, la pompa non funziona o il tubo è bloccato. La pompa si trova nel serbatoio appena sotto il punto di entrata del tubo. Spingere il carrello motore all'estremità opposta del banco. Sollevare l'estremità sopra alla pompa dal serbatoio e sollevare la pompa. Supportare il banco sui piedini in gomma all'estremità del serbatoio. Staccare il tubo di plastica dal connettore sulla pompa. Riempire un contenitore adatto (come un piccolo secchio) con acqua e posizionalo in modo che la pompa sia immersa nell'acqua. Sostenere il secchio o farsi aiutare da un assistente. Dopo aver verificato che sia sicuro, accendere il motore. Questo avvierà la pompa e l'acqua dovrebbe essere vista uscire dal connettore del tubo. In caso contrario, la pompa è difettosa. Contattare l'assistenza clienti. Se l'acqua viene pompata, il tubo di alimentazione deve essere bloccato.

Per accedere all'altra estremità del tubo di alimentazione dell'acqua, rimuovere la lama. Rimuovere le quattro viti che fissano la protezione della lama all'alloggiamento del motore. Rimuovere il tubo di alimentazione dal connettore sul retro della protezione della lama. Dovrebbe quindi essere possibile sbloccare o utilizzando acqua o aria nel senso opposto. Se il tubo è danneggiato, può essere sostituito. Una volta disconnesso ad entrambe le estremità, può essere tirato indietro attraverso la catena portacavi. È necessario ottenere un tubo di plastica trasparente di lunghezza adeguata (diametro interno 6 mm) e reinserirlo attraverso la catena portacavi. Ricollegare ad entrambe le estremità e rimontare il dispositivo.

# RISOLUZIONE DEI PROBLEMI

## GUIDA ALLA RISOLUZIONE

### COSA FARE SE LA LAMA NON TAGLIA LA PIASTRELLA?

Se la macchina non taglia, potrebbe essere necessario sostituire la lama (vedere sopra). Queste lame sono un materiale di consumo proprio come le lame per seghetti. Esistono molte fonti per l'acquisto di queste lame e molti tipi/dimensioni diversi di lama. La dimensione più importante è la dimensione del foro del disco. Questo è il diametro del foro al centro della lama. Se questo è troppo piccolo, la lama semplicemente non sarà montabile. Se è troppo grande, la lama non verrà trattenuta in modo sicuro e potrebbe oscillare pericolosamente e disintegrarsi. In secondo luogo, ma quasi altrettanto importante, è il diametro della lama. Le dimensioni della lama necessarie sono 200 x 25,4 mm. Esistono molti tipi e qualità di lame diverse. La macchina è fornita con una lama di taglio per piastrelle a bordo continuo con bordi diamantati per uso generale. Questa andrà bene nella maggior parte dei casi. Se si deve tagliare un gran numero di piastrelle molto dure (granito, per esempio), una lama più specializzata potrebbe essere migliore.

### COSA FARE SE LA TESTA DEL TAGLIAPIASTRELLE NON SI SPOSTA?

La testa del tagliapiastrelle si muove su cuscinetti posti sulle guide sul lato inferiore del ponte. Tali guide sono lubrificate con grasso. Se la testa non si sposta o è difficile spostarla, ciò è probabilmente dovuto all'accumulo di polvere di piastrelle nelle guide. Utilizzare una spazzola di nylon uno sgrassatore o detergente per rimuovere grasso e polvere. Spostare la testa su un'estremità della guida mentre si pulisce l'altra metà. Far scorrere delicatamente la testa della guida nella metà pulita. Pulire l'altra parte. Una volta pulita e asciugata l'intera guida, ri-lubrificare con grasso al litio bianco di buona qualità. Non lubrificare eccessivamente. I guide devono solo sostenere il peso della testa del tagliapiastrelle poiché non è necessaria una grande forza durante l'operazione di taglio.

**FOR ALL OTHER ISSUES, PLEASE CONTACT OUR  
CUSTOMER SUPPORT TEAM.**



# SPECIFICATIE

## PRODUCT OMSCHRIJVING

De T-Mech-tegelsnijder is een robuuste en eenvoudig te gebruiken machine waarmee de meeste soorten keramische tegels op een professioneel niveau gesneden kunnen worden.

## INHOUD

1. Snijbed
2. Waterreservoir
3. Steunpoten
4. 8 borgmoeren voor de poten
5. Borgmoersleutel
6. Spindelsleutel
7. Reservoirstop

De aansprakelijkheid van Monster Group UK Limited is beperkt tot de commerciële waarde van het product.

# SPECIFICATIE

## TECHNISCHE INFORMATIE 720mm

- Spanning: 230 V
- Vermogen: 800W
- Beschermingsgraad: IP54
- Mesafmetingen: 200 mm x 22,2 mm
- Tafelafmetingen: 980 x 400 mm
- Max meskanteling: 45 °
- Max. Snijdiepte: 35 mm
- Rip Cut: 720 mm & diagonaal: 508 mm

## TECHNISCHE INFORMATIE 920mm

- Spanning: 230 V
- Vermogen: 1200W
- Beschermingsgraad: IP54
- Mesafmetingen: 200mm x 25.4mm
- Tafelafmetingen: 1290 x 400mm
- Max meskanteling: 45°
- Max. Snijdiepte: 36mm
- Rip Cut: 920mm & diagonaal: 650mm

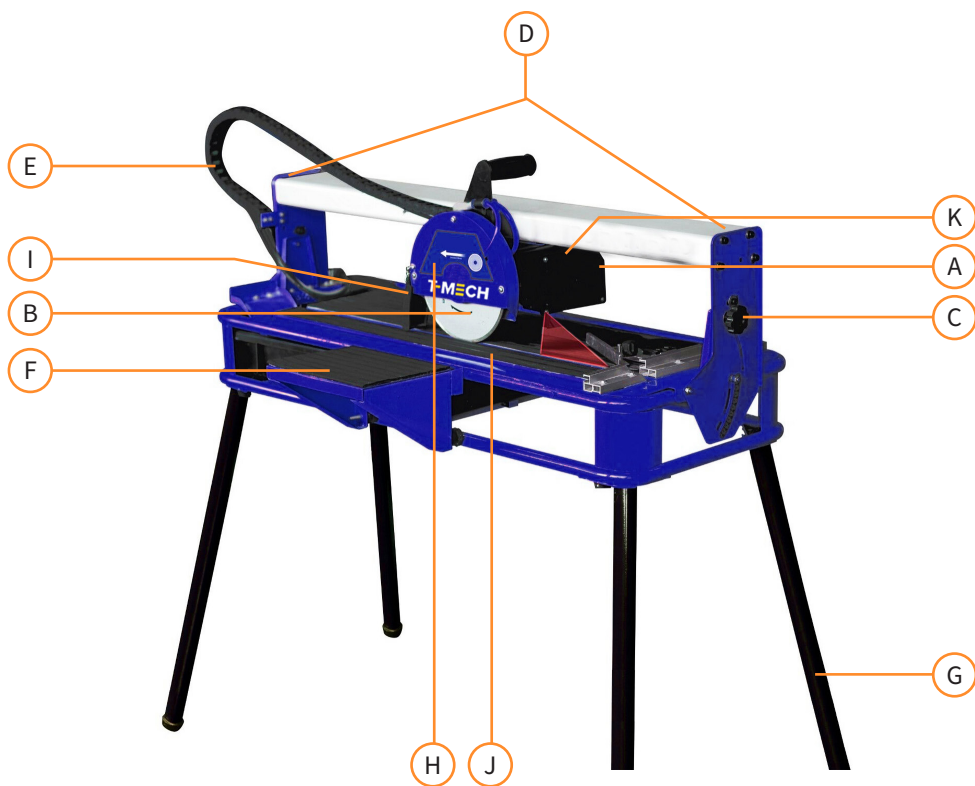
## TECHNISCHE INFORMATIE 1200mm

- Spanning: 230 V
- Vermogen: 1400W
- Beschermingsgraad: IP54
- Mesafmetingen: 230mm x 25.4mm
- Tafelafmetingen: 1377 x 400mm
- Max meskanteling: 45°
- Max. Snijdiepte: 40mm
- Rip Cut: 1200mm & diagonaal: 850mm

# SPECIFICATIE

## PRODUCTEIGENSCHAPPEN 720mm

- A. 800 Watt elektrische motor
- B. 200mm snijmes
- C. Kantelbare snijkop
- D. Stoppers
- E. Flexibele kabelweerstandketting
- F. Bevestiging tegelplank
- G. Poten
- H. Mesbeschermmer
- I. Sproeibescherming
- J. Snijbed
- K. Laser-snijgids

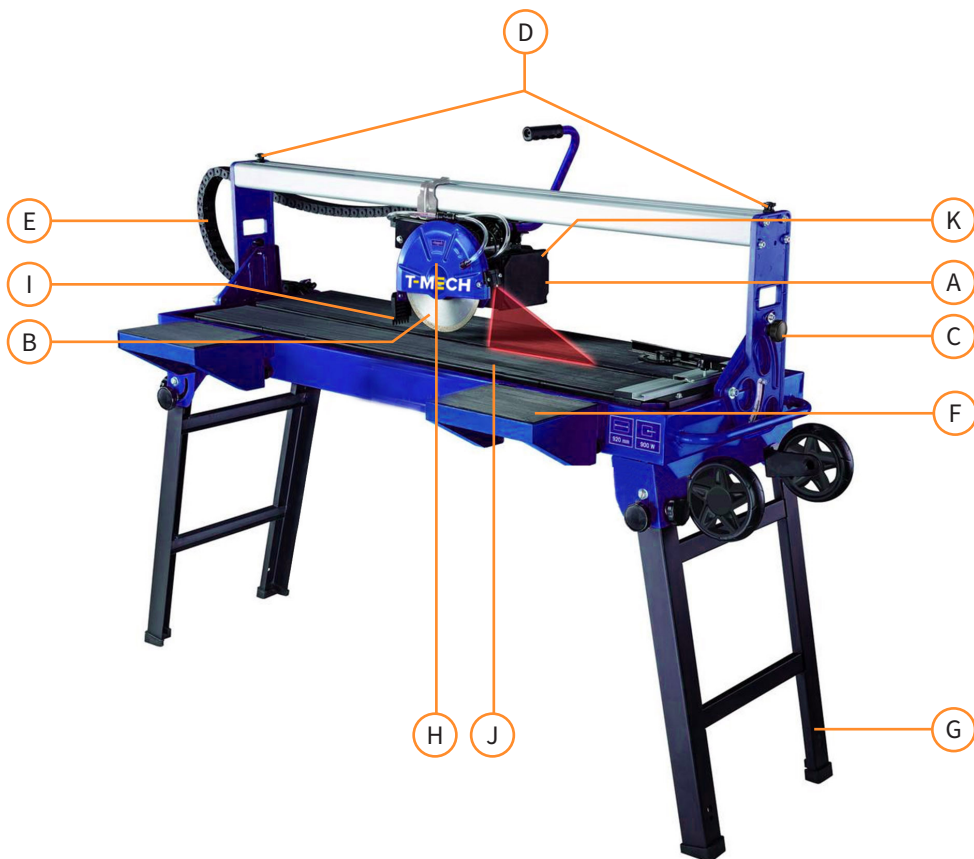




# SPECIFICATIE

## PRODUCTEIGENSCHAPPEN 920mm

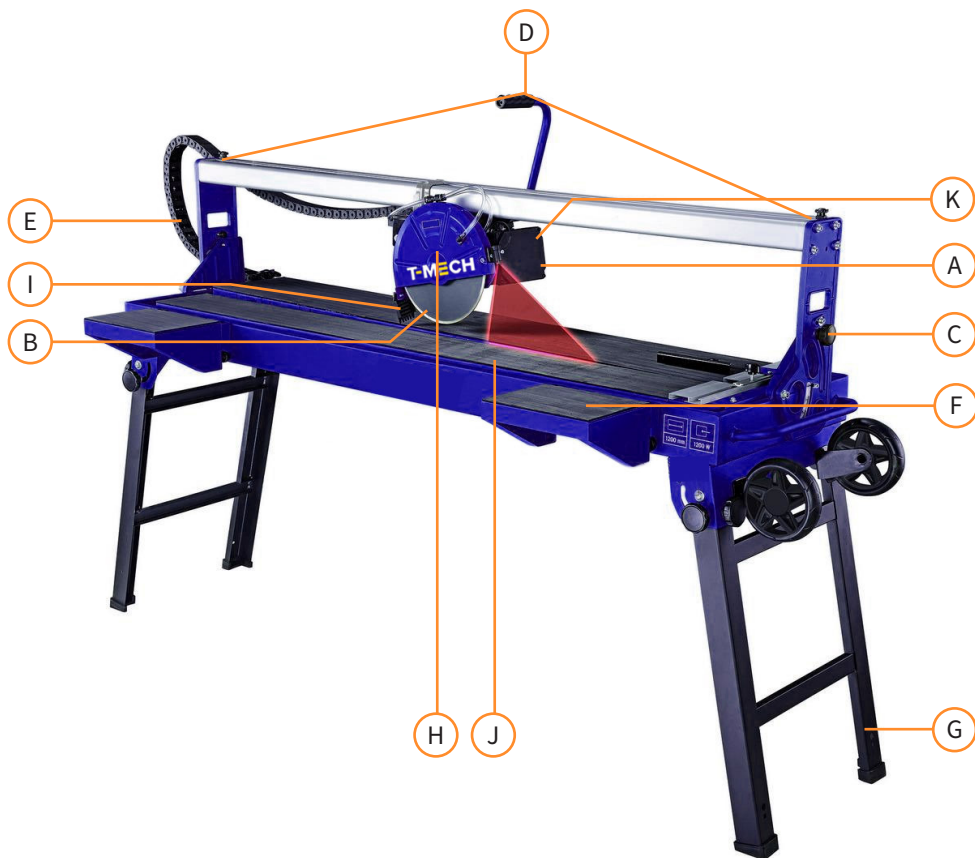
- |                                    |                     |
|------------------------------------|---------------------|
| A. 1200 Watt elektrische motor     | G. Poten            |
| B. 200mm snijmes                   | H. Mesbeschermer    |
| C. Kantelbare snijkop              | I. Sproeibeschermer |
| D. Stoppers                        | J. Snijbed          |
| E. Flexibele kabelweerstandketting | K. Laser-snijgids   |
| F. Bevestiging tegelplank          |                     |



# SPECIFICATIE

## PRODUCTEIGENSCHAPPEN 1200mm

- A. 1400 Watt elektrische motor
- B. 230mm snijmes
- C. Kantelbare snijkop
- D. Stoppers
- E. Flexibele kabelweerstandketting
- F. Bevestiging tegelplank
- G. Poten
- H. Mesbeschermer
- I. Sproeibeschermer
- J. Snijbed
- K. Laser-snijgids



# VEILIGHEIDSADVIES

## VEILIG WERKEN

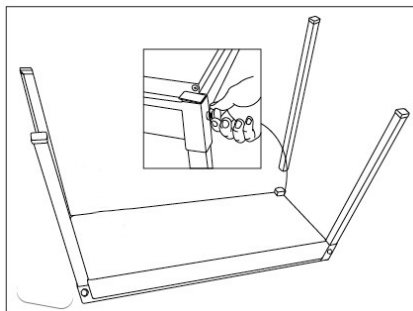
Lees de sectie over VEILIG WERKEN door om letsel of schade bij uzelf of aan het apparaat te voorkomen.

- Neem alle lokale gezondheids- en veiligheidsvoorschriften in acht.
- Gebruik dit product voor niets anders dan de beoogde doeleinden.
- Zorg ervoor dat u de handleiding en veiligheidsadviezen gelezen hebt en volledig begrijpt voordat u dit product gebruikt.
- Denk na over uw werkomgeving. Stel gereedschap niet bloot aan regen. Gebruik geen gereedschap op vochtige of natte locaties en houd het werkgebied goed verlicht.
- Controleer of dit product veilig gemonteerd is.
- Zorg ervoor dat dit product op een veilige plaats bewaard wordt.
- Zorg ervoor dat alle andere materialen die met dit product worden gebruikt, aan de norm voldoen.
- Laat kinderen nooit in de buurt van deze machine staan of deze gebruiken terwijl deze in gebruik is.
- Voer nooit onderhoud of aanpassingen aan de machine uit zonder deze eerst los te koppelen.
- Draag geschikte kleding. Zorg ervoor dat er geen losse kleding, sieraden of haar in de machine kunnen komen.
- Draag persoonlijke bescherming. Oorbeschermers, een veiligheidsbril en een gezichtsmasker moeten gedragen worden.
- Draag antislipschoenen. Draag bij het snijden van grote tegels veiligheidsschoenen.
- Deze machine moet worden gevoed via een stopcontact-RCD of draagbare RCD.
- Steun niet met uw lichaamsgewicht op dit product.
- Drink het water dat in dit product wordt gebruikt niet.
- Forceer het gereedschap niet. Gebruik zachte druk zodat het mes in zijn eigen tempo snijdt.
- Laat de machine niet onbewaakt achter terwijl deze aan staat.
- Raak het mes niet aan als het heet is.
- Raak het mes niet aan terwijl het in werking is.
- Schakel dit product uit als het begint te roken. De machine voor minimaal een uur niet gebruiken.
- Verlaat de machine niet voordat deze volledig stilstaat.
- Schakel altijd uit voordat u aanpassingen uitvoert.
- Til het snijbed nooit op via een kabel of pijp.
- Controleer de slang en waterset voor elk gebruik. Niet gebruiken als slang of waterset beschadigd is.

# GEBRUIKERSHANDLEIDING

## MONTAGE-INSTRUCTIES

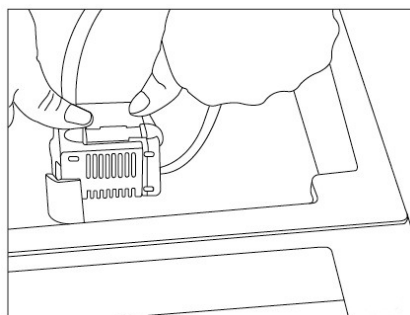
1. Haal de inhoud uit de doos en controleer of alle onderdelen aanwezig zijn. Zie probleemoplossingen er iets ontbreekt.
2. Til het snijbed uit het waterreservoir en leg het opzij.
3. Keer het reservoir om en plaats de vier poten. Zorg ervoor dat de poten zo zijn georiënteerd dat de voeten naar buiten zijn gespreid. Steek twee borgmoeren in elk been en draai ze vast.
4. Draai het reservoir om en zorg ervoor dat het vierkant op zijn vier poten staat.
5. Plaats de rubberen stop in de afvoeropening.
6. Bevestig de hoekbeugel aan het reservoirframe en sluit het vrije uiteinde van de sleepketting aan.
7. Plaats het snijbed in het reservoir en zorg ervoor dat het netsnoer niet bekneld raakt en dat de waterpomp correct is geplaatst.



## HANDLEIDING

### HET WATERRESERVOIR VULLEN

Water wordt via een pomp vanuit het reservoir naar het mes gevoerd. Dit is een pomp op netvoeding. Netspanning en water mengen niet goed. Controleer de pomp en kabel op tekenen van schade voordat u het reservoir vult. **NIET GEBRUIKEN** als er tekenen van schade zijn. Vul het reservoir via de opening boven de waterpomp en zorg ervoor dat de pompinlaat volledig onder water is. Water zal verdampen tijdens het snijden van tegels, vul indien nodig bij. Laat de pomp nooit drooglopen.



# GEBRUIKERSHANDLEIDING

## HANDLEIDING

### GEBRUIK

Voor elk gebruik moet de snijder onderzocht worden om te controleren of deze veilig is voor gebruik.

- Controleer de stroomkabel op tekenen van beschadiging of slijtage.
- Controleer de borgmoeren op de poten om ervoor te zorgen dat ze goed vastzitten en de machine stabiel is.
- Verwijder de kap en controleer het mes. Als er scheuren of schilfers in het mes zitten, moet dit vervangen worden voordat de snijder gebruikt kan worden. Gebruik GEEN beschadigd mes! Gebruik alleen messen die aanbevolen worden voor dit type snijderstafel.
- Controleer of de mesbeschermer en sproeibeschermer aanwezig zijn.
- Controleer of de voeding de juiste spanning voor de machine heeft.
- Controleer de waterpomp op tekenen van slijtage of schade.

Als u eenmaal overtuigd bent dat alles goed is, bent u klaar om te beginnen met snijden. De snijder is uitgerust met een standaard 13A 3-pins stekker. Het wordt aanbevolen dat deze snijder wordt gevoed via een draagbare RCD. Dit moet in een geschikt 13A-stopcontact gestoken worden. Het netsnoer is ongeveer 1,5 m lang en is erop voorzien dat de kabel met de snijkop beweegt. Eenmaal aangesloten, gaat u als volgt te werk:

1. Zorg ervoor dat het snijbed schoon en vrij van rommel is.
2. Markeer een lijn op de tegel waar u wilt snijden en plaats de tegel tegen de eindstop.
3. Schuif de snijkop naar voren totdat het mes de tegel bijna raakt.
4. Pas de positie van de tegel aan totdat het mes en de markering op één lijn liggen.
5. Zet de motor aan, hierdoor wordt ook de waterpomp gestart. Laat de motor op volle snelheid komen.
6. Beweeg de snijkop voorzichtig naar voren totdat deze de rand van de tegel raakt en begint te snijden.
7. Handhaaf een zachte voorwaartse druk. Laat het mes snijden zonder het te forceren. Dit verlengt de levensduur van het mes en vermindert het risico van beschadiging aan zowel het mes als de tegel.
8. Schakel de motor uit zodra u klaar bent met snijden. Laat het mes op natuurlijke wijze tot stilstand komen en verwijder de tegelstukken. Oefen nooit druk uit om het mes snel te stoppen!
9. Bevestig de hoekgeleider aan de stoppers om een tegel met een hoek te snijden. Stel vervolgens de gewenste hoek in. Plaats de tegel tegen de hoekgeleider en pas aan totdat de snijteken op één lijn ligt met het mes.
10. Om een schuine rand op een tegel te snijden, maakt u de borgmoeren aan beide uiteinden van de zaagbrug los. Kantel de hele brug / snijkop naar de gewenste hoek die wordt aangegeven door het referentiepunt op de schaal.

# GEBRUIKERSHANDLEIDING

## HANDLEIDING

### NA GEBRUIK

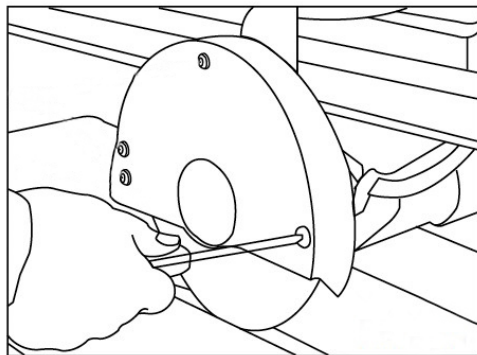
Verwijder de stekker uit het stopcontact zodra het snijden voltooid is.

Plaats een geschikte opvangbak onder de afvoeropening. De rubberen stop in het reservoir kan nu worden geduwd om het water eruit te laten stromen. Het snijbed kan nu afgespoeld worden. De afvoer loopt af in de container. Zodra het snijbed schoon is, moet het uit het reservoir worden getild en opzij worden gelegd. Het reservoir kan nu uitgespoeld worden en de aftapstop vervangen. Eenmaal schoon en droog kan het snijbed nu terug op zijn plaats worden gezet.

### HET MES VERVANGEN

Na verloop van tijd moet het mes vervangen worden. De tijdsduur is afhankelijk van de dikte, het type en de lengte van de tegels die worden gesneden. Harde tegels zoals marmer of graniet zorgen ervoor dat het mes sneller verslijt. Om het mes te vervangen, gaat u als volgt te werk:

1. Zorg ervoor dat de snijplotter van het stroomnet is losgekoppeld.
2. Verwijder de schroeven uit deksel van de Mesbeschermer en leg deze apart.
3. Plaats de 19 mm inbussleutel over de borgmoer.
4. Plaats de spindelsleutel over de spil.
5. Houd de as op zijn plaats met behulp van de asmoersleutel en draai de borgmoer met de klok mee om hem los te maken. Draai de borgmoer volledig los en verwijder deze.
6. Achter de borgmoer zit een kraag. Dit moet worden verwijderd.
7. Achter het mes is een tweede kraag zichtbaar door het gat in het midden van het mes.
8. Pak het mes aan beide kanten voorzichtig vast met uw vingers. Trek het iets naar u toe terwijl u de kraag terugduwt met uw duimnagels.
9. Manoeuvreer het mes na het vrijmaken van de aandrijfjas.
10. Vervanging doet u in de omgekeerde richting van verwijdering. Zorg ervoor dat de rotatie-indicatorpijlen naar u toe zijn gericht en dat de pijlen met de klok mee wijzen.



# PROBLEEMOPLOSSINGEN

## RESOLUTIEGIDS

### WAT KAN IK DOEN ALS ER ONDERDELEN VAN MIJN BESTELLING ONTBREKEN?

Als er een onderdeel ontbreekt in uw bestelling, kunt u binnen 7 dagen na ontvangst contact op met ons vriendelijke en behulpzame klantenservice-team.

### WAT DOE IK ALS DE MOTOR NIET START?

Als de motor niet start wanneer u op de groene startknop drukt, is er mogelijk een probleem met de voeding. De snijplotter is uitgerust met een NVR-schakelaar zonder spanningsvrijgave. Dit betekent dat de schakelaar alleen werkt als er netspanning aanwezig is. Als de groene knop niet ingedrukt blijft wanneer erop gedrukt wordt, is er geen stroomtoevoer naar de machine. Controleer of er stroom staat op het stopcontact met een apparaat waarvan u weet dat het werkt zoals een inspectielamp. Als dit werkt, controleer dan de zekering in de stekker met een meter of doorgangstester. Als er stroom op het stopcontact staat en de zekering in orde is, is het mes defect en moet u contact opnemen met de klantenservice.

### WAT DOE IK ALS DE MOTOR BEGINT MAAR HET MES NIET DRAAIT?

Als de motor start maar het mes niet draait, zit de borgmoer waarschijnlijk los. Trek de stekker uit het stopcontact. Verwijder de schroeven van de mesafdekking en beweeg het naar een kant. Draai de borgmoer los door deze rechtsom te draaien. Verwijder de borgmoer en de externe kraag. Zorg ervoor dat het mes goed op de interne kraag zit. Vervang de externe kraag. Breng de borgmoer aan en draai hem vast door hem tegen de klok in te draaien. Plaats de 19 mm zeskantsleutel eenmaal over de borgmoer en de spindelsleutel over de as. Houd de as vast met de asmoersleutel en draai de borgmoer met de inbussleutel tegen de klok in vast. Plaats de mesafdekking terug voordat u de machine weer aansluit en test. Het mes zou nu met de motor moeten draaien. Als dit niet het geval is, is het mes defect en moet u contact opnemen met de klantenservice.

# PROBLEEMOPLOSSINGEN

## RESOLUTIEGIDS

### WAT DOE IK ALS HET WATER NIET NAAR HET MES WORDT GEPOMPT?

Het water is essentieel voor het koelen en smeren van het mes. Zonder dit kan het mes oververhit raken, bot worden of zelfs de tegel beschadigen. Het water wordt door een elektrische pomp in het waterreservoir gepompt. De meest voorkomende oorzaak is dat er onvoldoende water in het reservoir is. Het reservoir is 90 mm diep en moet minimaal 45 mm water bevatten. Als er niet voldoende water is, werkt de pomp niet of is de slang geblokkeerd. De pomp bevindt zich in het reservoir net onder het punt waar de buis de machine binnengaat. Duw de motorwagen naar het andere uiteinde van het Snijbed. Verplaats het uiteinde boven de pomp uit het reservoir en til de pomp eruit. Ondersteun het snijbed op zijn rubberen voetjes aan het uiteinde van het reservoir. Trek de plastic buis van de connector op de pomp. Vul een geschikte container (zoals een kleine emmer) met water en plaats deze zodanig dat de pomp in het water wordt ondergedompeld. Ondersteun de emmer of laat een assistent hem vasthouden. Nadat u eerst hebt gecontroleerd of deze veilig is, schakelt u de snijmotor in. Dit start de pomp en er zou water uit de pijp aansluiting moeten komen. Als dit niet het geval is, is de pomp defect en moet u contact opnemen met de klantenservice. Als er water wordt weggepompt, moet de toevoerleiding worden geblokkeerd.

Verwijder het mes om toegang te krijgen tot het andere uiteinde van de watertoevoerpijp. Verwijder de vier schroeven waarmee de Mesbeschermer aan het motorhuis is bevestigd. Verwijder de toevoerleiding van de connector aan de achterkant van de Mesbeschermer. Het zou dan mogelijk moeten zijn om de blokkering op te heffen met lucht of water dat naar achteren door de toevoerpijp wordt geduwd. Als de buis is beschadigd, kan deze worden vervangen. Eenmaal losgekoppeld aan beide uiteinden kan het door de sleepketting worden teruggetrokken. Een geschikte lengte of doorzichtige plastic buis (inwendige diameter 6 mm) moet worden verkregen en teruggevoerd door de sleepketting. Sluit aan beide uiteinden opnieuw aan en monteer het mes opnieuw.



# PROBLEEMOPLOSSINGEN

## RESOLUTIEGIDS

### WAT DOE IK ALS HET MES DE TEGEL NIET SNIJDT?

Als de snijder niet snijdt, moet het mes mogelijk worden vervangen (zie hierboven). Deze bladen zijn een verbruiksartikel, net als ijzerzaagbladen. Er zijn veel bronnen voor deze messen en veel verschillende soorten / maten. De belangrijkste maat is de grootte van de schijfboring. Dit is de diameter van het gat in het midden van het mes. Als dit te klein is, past het mes gewoon niet. Als het te groot is, wordt het mes niet goed vastgehouden en kan het gevaarlijk wiebelen en uiteenvallen. Ten tweede, maar bijna net zo belangrijk, is de bladdiameter. De afmeting van het mes dat u nodig heeft is 200 mm x 25,4 mm.

Er zijn veel verschillende soorten messen van verschillende kwaliteit. De snijder wordt geleverd met een universeel snijmes met diamantrand met doorlopende randen. In de meeste gevallen is dit prima. Als u een groot aantal zeer harde tegels snijdt (bijvoorbeeld graniet), is een meer gespecialiseerd mes misschien beter.

### WAT DOE IK ALS DE SNIJKOP NIET BEWEEGT?

De snijkop beweegt op lagers in sporen aan de onderkant van de brug. De rupsen zijn gesmeerd met vet. Als het niet beweegt of moeilijk te verplaatsen is, is dit waarschijnlijk te wijten aan een opeenhoping van tegelstof in de sporen. Gebruik een nylon borstel en een soort ontvetter of schoonmaakmiddel om het oude vet en stof te verwijderen. Verplaats de snijkop naar het ene uiteinde van het spoor terwijl u de andere helft schoonmaakt. Schuif de snijkop voorzichtig in de schone helft. Reinig de tweede helft. Zodra het gehele spoor schoon en droog is, opnieuw smeren met wit lithiumvet van goede kwaliteit. Niet te veel smeren. De rupsen hoeven alleen het gewicht van de snijkop te dragen, aangezien er geen grote kracht bij de snijbewerking betrokken is.

**NEEM VOOR ALLE ANDERE AANGELEGENHEDEN  
CONTACT OP MET ONZE KLANTENSERVICE.**



Monster Group (UK) is one of the UK's fastest growing online retailers. We supply a diverse range of products which offer exceptional value for money. We strive to provide the best possible customer experience with free UK delivery across all our products and a Monster Guarantee for 100% satisfaction.

For information regarding this device or other products from our Monster divisions please contact Sales.

#### SALES

TEL: 01347 878 888

EMAIL: hello@monstershop.co.uk

For queries about this device, warranty, returns or reporting faults please contact Support.

#### SUPPORT

TEL: 01347 878 887

EMAIL: help@monstershop.co.uk

Pour plus d'informations concernant cet appareil ou d'autres produits de nos divisions de Monster veuillez utiliser les détails suivants ci-dessous.

#### DÉPARTEMENT COMMERCIAL

TEL: 01347 878 888

EMAIL: bonjour@monstershop.eu

Pour les interrogations concernant cet appareil, la garantie, les retours ou les défauts de déclaration veuillez utiliser les détails suivants ci-dessous.

#### DÉPARTEMENT DE SOUTIEN

TEL: 01347 878 887

EMAIL: help@monstershop.co.uk

Para información sobre este dispositivo u otros productos de nuestras divisiones de Monster por favor use los siguientes detalles.

#### DEPARTAMENTO DE VENTAS

TEL: 01347 878 888

EMAIL: hola@monstershop.eu

Para consultas sobre este dispositivo, la garantía, devoluciones o denuncias de fallos por favor use los siguientes detalles.

#### DEPARTAMENTO DE SOPORTE

TEL: 01347 878 887

EMAIL: help@monstershop.co.uk

Für Informationen bezüglich dieses Geräts oder anderer Produkte aus unserer Monster-Abteilung, benutzen sie die folgenden unten aufgeführten Angaben.

#### VERKAUFABTEILUNG

TEL: 01347 878 888

EMAIL: hallo@monstershop.eu

Für Fragen über dieses Gerät, die Garantie, Rückgaben oder bei Störungen, benutzen sie die folgenden unten aufgeführten Angaben.

#### SUPPORT-ABTEILUNG

TEL: 01347 878 887

EMAIL: help@monstershop.co.uk

Per informazioni riguardanti questo dispositivo o altri prodotti dalle categorie Monster utilizzare i dettagli sotto riportati.

#### DIPARTIMENTO VENDITE

TEL: 01347 878 888

EMAIL: ciao@monstershop.eu

Per domande riguardo dispositivo, garanzia, reso o per riferire di guasti, utilizzare i dettagli sotto riportati.

#### DIPARTIMENTO SUPPORTO

TEL: 01347 878 887

EMAIL: help@monstershop.co.uk

Monster House, Alan Farnaby Way,  
Sheriff Hutton Industrial Estate,  
Sheriff Hutton, York, YO60 6PG  
[www.monstershop.co.uk](http://www.monstershop.co.uk)



 Try **Monster**. Buy **Monster**. Be **Monster**. 

