

RATTAN CUBE SET

27320 / 27321 / 27322

INSTRUCTION MANUAL

www.monstershop.co.uk



SPECIFICATION

PRODUCT DESCRIPTION

Thank you for purchasing this Rattan Cube Set, the perfect garden furniture set. Consisting of 4 chairs and 4 stools, along with the glass topped table, this fashionable set provides an ample seating area, ideal for outside gatherings and parties.

For added convenience and to maximise space saving, this set features stools that fit perfectly under the chairs. The chairs are built to be easily folded down to slide effortlessly under the table, meaning this set is the ideal solution to keep a tidy outdoor space.

With a free rain cover, the Rattan Cube Set is protected from light showers, therefore no need to move it indoors! The set also contains UV stabilisers to protect it from the sun.

Please refer to and read the Safe Working Practice to ensure prevention of injury or damage to the Cube Set before starting.

PRODUCT SPECIFICS

CHAIRS

DIMENSIONS: 53cm (W) x 53cm (L) x 90cm (H)
MATERIAL: Rattan, Powder-Coated Steel
WEIGHT CAPACITY: 140kg
CUSHION THICKNESS: 5cm

TABLE

DIMENSIONS: 110cm (W) x 110cm (L) x 74cm (H)
MATERIAL: Rattan, Powder-Coated Steel, 5mm Tempered Glass
WEIGHT CAPACITY: 80kgs

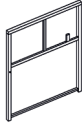
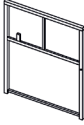
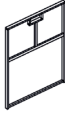
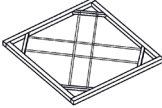
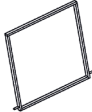
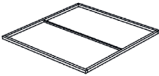

STOOLS

DIMENSIONS: 53cm (W) x 53cm (L) x 40cm (H)
MATERIAL: Rattan, Powder-Coated Steel
WEIGHT CAPACITY: 120kg
CUSHION THICKNESS: 5cm

Monster Group UK Limited's liability will be limited to the commercial value of the product only.


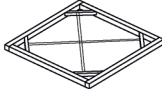
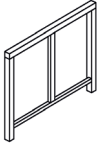
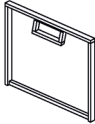
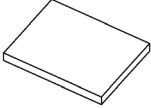
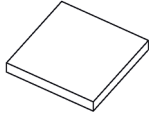
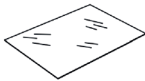
SPECIFICATION

ITEM CONTENTS

Part Ref.	Picture	Description	Quantity
A		Chair - Left Hand Panel	4
B		Chair - Right Hand Panel	4
C		Chair - Rear Panel	4
D		Chair - Base Panel	4
E		Chair Back	4
F		Table - Top Panel	1
G		Table - Legs	1


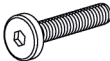




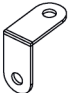


SPECIFICATION

ITEM CONTENTS

Part Ref.	Picture	Description	Quantity
H		Table Bottom Panel	2
I		Stool - Top	4
J		Stool - Legs	8
K		Stool - Side Panels	8
L		Seat Cushion	8
M		Stool Cushion	4
N		Glass - Table Top	1

SPECIFICATION

ITEM CONTENTS

Part Ref.	Picture	Description	Quantity
1		Washer	114
2		Bolt 6*40	18
3		Bolt 6*20	24
4		Bolt 6*30	68
5		Cap Nut	4
6		Plastic Washer	8
7		Bracket	8
8		Spanner	1
9		Allen Key	2

SAFETY ADVICE

SAFE WORKING PRACTICE

Please read through the Safe Working Practice to ensure prevention of injury or damage to the device.

- Do not use this product for anything other than its intended purposes.
- Ensure you have read and fully understood the instruction manual and safety advice before using this product.
- We recommend that at least two people work together for the assembly.
- Do not apply bodyweight to this product before it is installed.
- Keep small parts away from children.
- Ensure this product is fitted correctly.
- Use this product on a flat surface.
- Do not expose this product to fire.
- Do not allow this product to get excessively hot.
- Do not exceed the maximum weight capacity of the furniture.

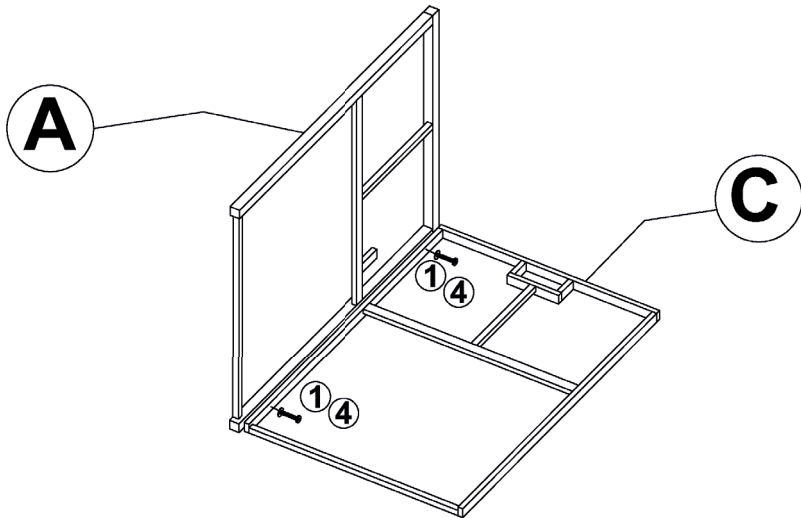
USER GUIDE

ASSEMBLY INSTRUCTIONS

To assist with the assembly of your Rattan furniture, we recommend you only half tighten the nuts & bolts when first assembling the furniture.

Once you have assembled the complete set, you can then fully tighten all the nuts & bolts.

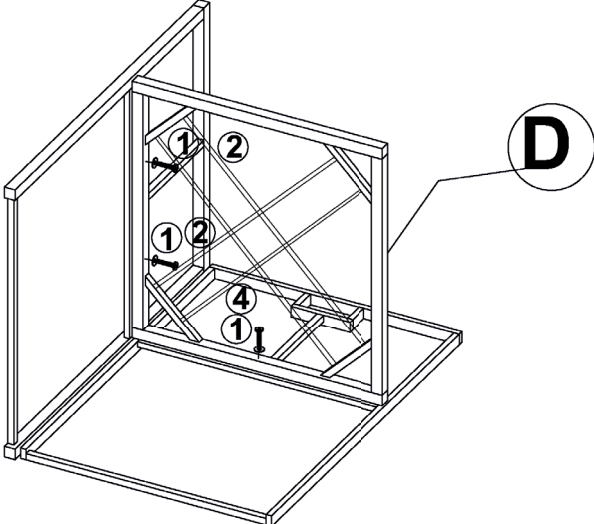
1



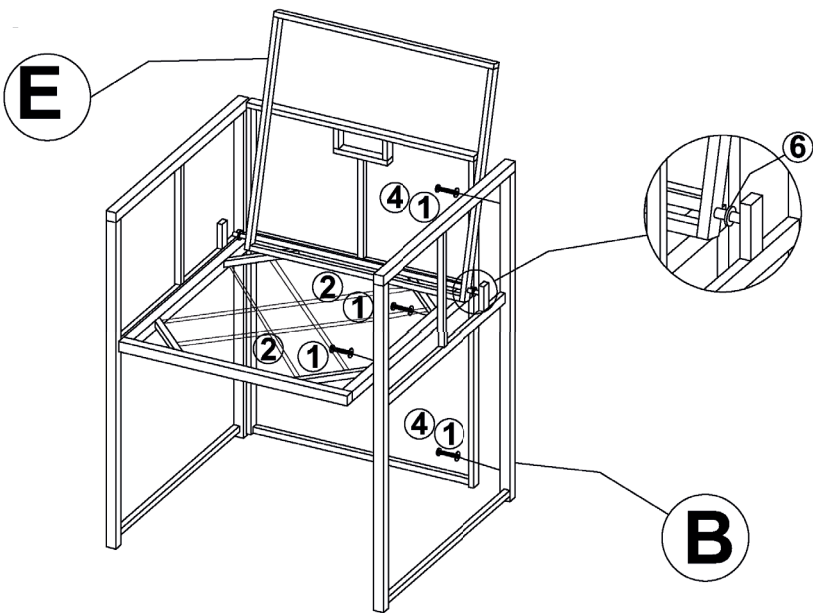
USER GUIDE

ASSEMBLY INSTRUCTIONS

2



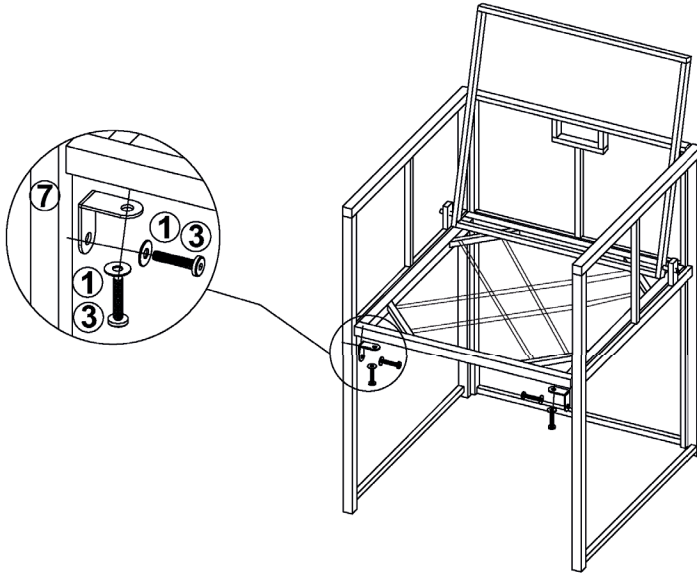
3



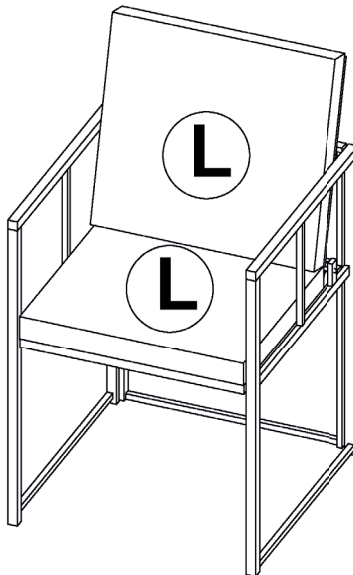
USER GUIDE

ASSEMBLY INSTRUCTIONS

4



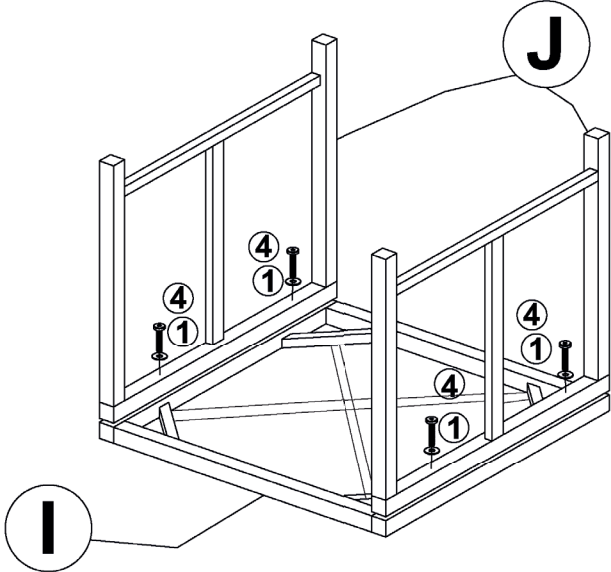
5



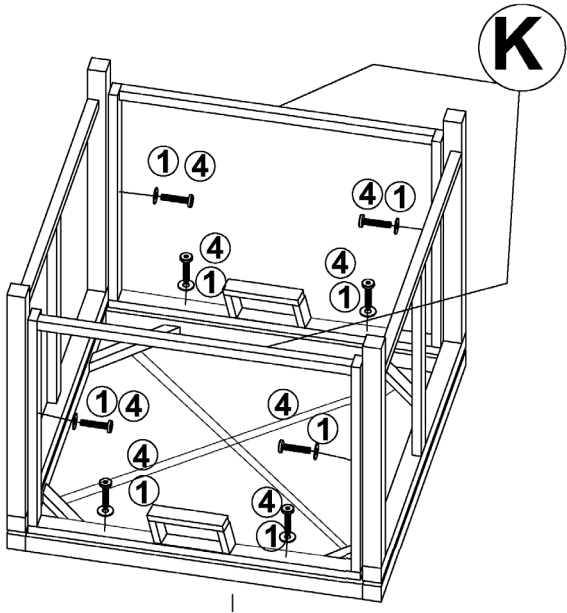
USER GUIDE

ASSEMBLY INSTRUCTIONS

6



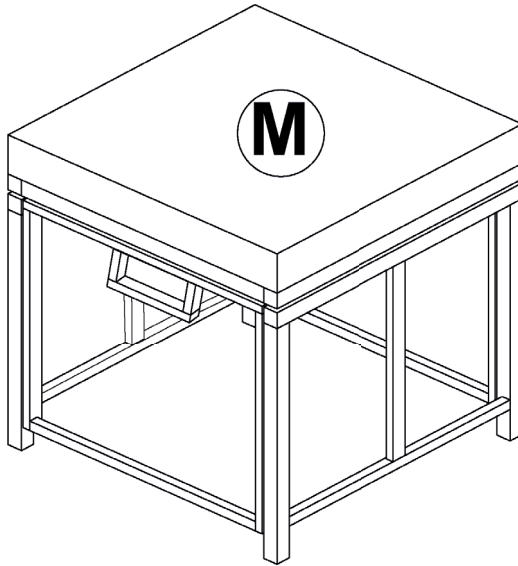
7



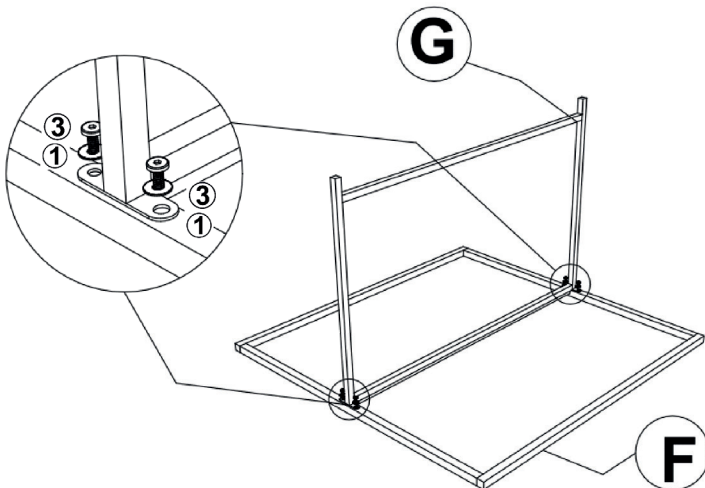
USER GUIDE

ASSEMBLY INSTRUCTIONS

8



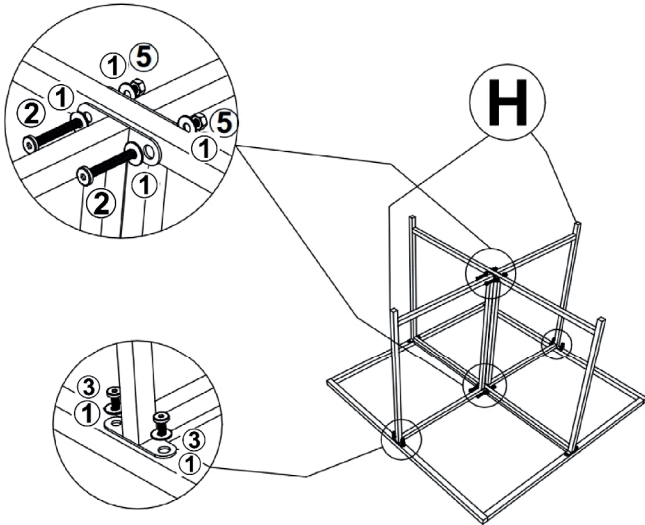
9



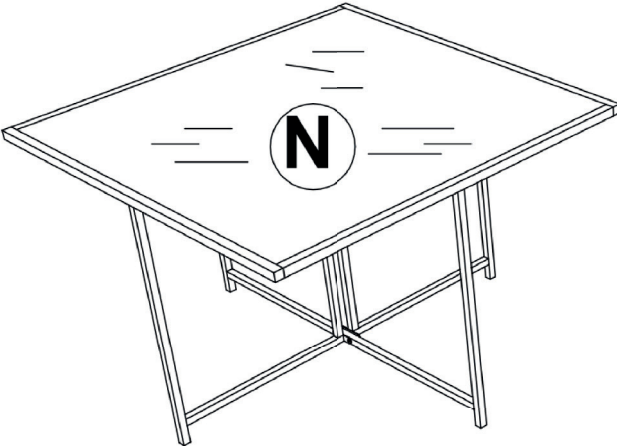
USER GUIDE

ASSEMBLY INSTRUCTIONS

10



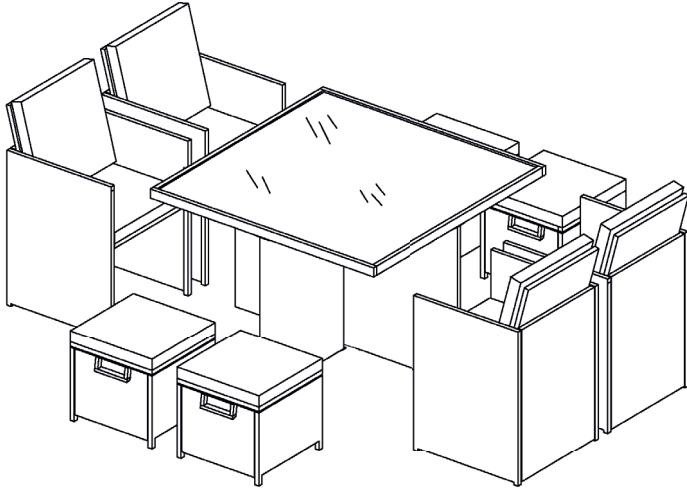
11



USER GUIDE

ASSEMBLY INSTRUCTIONS

12



Ensure all the nuts & bolts are fully tightened before using the furniture for the first time.

USER GUIDE

MAINTENANCE

- To clean the Rattan Cube Set, use a soft cloth, warm water and mild detergent to wipe down. To clean the cushions, wipe them down with a damp cloth. Use mild detergent and a soft cloth in case of stubborn stains.
- Use the complimentary rain cover to protect the Rattan Cube Set when the set is not in use. Ensure the set is stored indoors in a cool, dry location during winter, to prevent mold and mildew growth on the cushions.
- Check the screws and bolts regularly and tighten if required.

TROUBLESHOOTING

RESOLUTION GUIDE

WHAT DO I DO IF THERE ARE MISSING PARTS FROM MY ORDER?

If there appears to be any part missing from your order, contact our friendly and helpful Customer Support Team within 7 days of receipt.

WHAT DO I DO IF THE FURNITURE STARTS TO WOBBLE/MOVE?

The screws and bolts need to be checked regularly to ensure they are tight and secure. Retighten any screws or bolts that are loose.

**FOR ALL OTHER ISSUES, PLEASE CONTACT OUR
CUSTOMER SUPPORT TEAM.**



SPÉCIFICATIONS

DESCRIPTION DU PRODUIT

DÉTAILS DU PRODUIT

LISTE DES PIÈCES

SPÉCIFICATIONS

CARACTÉRISTIQUES DU PRODUIT

La responsabilité de Monster Group UK Limited sera limitée à la valeur commerciale du produit.

CONSEILS DE SÉCURITÉ

 PRATIQUE DE TRAVAIL SÉCURITAIRE

MODE D'EMPLOI

INSTRUCTIONS DE MONTAGE

MODE D'EMPLOI

ENTRETIEN

DÉPANNAGE

GUIDE DE RÉOLUTION

QUE FAIRE S'IL MANQUE DES PIÈCES À MA COMMANDE?

S'il semble manquer des pièces à votre commande, contactez notre équipe du service client dans les 7 jours suivant la réception.

**POUR TOUT AUTRE PROBLÈME, VEUILLEZ
CONTACTER NOTRE ÉQUIPE DU SERVICE CLIENT.**



SPEZIFIKATIONEN

PRODUKTBESCHREIBUNG

PRODUKTSPEZIFIKA

TEILELISTE

SPEZIFIKATION

PRODUKTMERKMALE

Die Haftung von Monster Group UK Limited ist auf den Handelswert des Produkts beschränkt.

SICHERHEITSHINWEIS

 SICHERES ARBEITEN

BENUTZERLEITFADEN

MONTAGEANLEITUNGEN

BENUTZERLEITFADEN

WARTUNG

FEHLERBEHEBUNG

LÖSUNGSGUIDE

WAS MACHE ICH, WENN BEI MEINER BESTELLUNG TEILE FEHLEN?

Falls bei Ihrer Bestellung ein Teil zu fehlen scheint, wenden Sie sich bitte innerhalb von 7 Tagen nach Erhalt der Ware an unser freundliches und hilfsbereites Kundenservice-Team.

**FÜR ALLE ANDEREN FRAGEN WENDEN SIE SICH BITTE AN
UNSER KUNDENSERVICE-TEAM.**



ESPECIFICACIONES

DESCRIPCIÓN DEL PRODUCTO

ESPECIFICACIONES DEL PRODUCTO

LISTA DE PIEZAS

ESPECIFICACIONES

CARACTERÍSTICAS DEL PRODUCTO

La responsabilidad de Monster Group UK Limited estará limitada únicamente al valor comercial del producto.

CONSEJOS DE SEGURIDAD

PRÁCTICAS DE TRABAJO SEGURAS

GUÍA DEL USUARIO

INSTRUCCIONES DE ENSAMBLAJE

GUÍA DEL USUARIO

MANTENIMIENTO

SOLUCIÓN DE PROBLEMAS

GUÍA DE RESOLUCIÓN

¿QUÉ PUEDO HACER SI LE FALTAN PIEZAS A MI PEDIDO?

Si parece faltar alguna pieza en su pedido, por favor, comuníquese con nuestro amable y servicial Equipo de Atención al Cliente en los 7 días posteriores a la recepción de su pedido.

**PARA CUALQUIER OTRO PROBLEMA, POR FAVOR CONTACTE
CON NUESTRO EQUIPO DE ATENCIÓN AL CLIENTE**



SPECIFICHE

DESCRIZIONE DEL PRODOTTO

SPECIFICHE DEL PRODOTTO

LISTA COMPONENTI

SPECIFICHE

CARATTERISTICHE DEL PRODOTTO

La responsabilità di Monster Group UK Limited sarà limitata al solo valore commerciale del prodotto.

CONSIGLI PER LA SICUREZZA

 PRATICHE DI LAVORO SICURO

GUIDA UTENTE

ISTRUZIONI PER IL MONTAGGIO

GUÍA DEL USUARIO

MANTENIMIENTO

RISOLUZIONE DEI PROBLEMI

GUIDA ALLA RISOLUZIONE DEI PROBLEMI

COSA DEVO FARE SE NEL MIO ORDINE CI SONO DELLE PARTI MANCANTI?

Se sembra che all'interno del tuo ordine manchino delle parti, contatta il nostro gentile e disponibile team di assistenza clienti entro 7 giorni dalla ricezione del tuo ordine.

**PER QUALUNQUE ALTRO PROBLEMA, CONTATTA IL NOSTRO
TEAM DI ASSISTENZA CLIENTI.**



OMSCHRIJVING

PRODUCT OMSCHRIJVING

PRODUCTSPECIFICATIES

ONDERDELENLIJST

SPECIFICATIE

PRODUCT SPECIFICATIE

De aansprakelijkheid van Monster Group UK Limited is beperkt tot de commerciële waarde van het product.

VEILIGHEIDSADVIIES

 VEILIG GEBRUIK

HANDLEIDING

MONTAGE-INSTRUCTIES

HANDLEIDING

ONDERHOUD

PROBLEEM OPLOSSEN

OPLOSSINGEN

WAT MOET IK DOEN ALS ER ONDERDELEN VAN MIJN BESTELLING ONTBREKEN?

Neem wanneer een onderdeel van je bestelling ontbreekt binnen 7 dagen na ontvangst contact op met onze vriendelijke en behulpzame klantenservice.

**NEEM VOOR ALLE ANDERE KWESTIES CONTACT
MET ONZE KLANTENSERVICE OP.**



SPECIFIKATION

PRODUKTBESKRIVNING

PRODUKTSPECIFIKATIONER

MEDFÖLJANDE DELAR

SPECIFIKATION

PRODUKTFUNKTIONER

SÄKERHETSÅD

 SÄKER ARBETSÖVNING

ANVÄNDARGUIDE

MONTERINGS INSTRUKTIONER

BRUKSANVISNING

SKÖTSEL

FELSÖKNING

LÖSNINGSGUIDE

VAD GÖR JAG OM DET SAKNAS DELAR FRÅN MIN BESTÄLLNING?

Om det verkar som om någon del saknas i din beställning, kontakta vårt vänliga och hjälpsamma kundsupportteam inom 7 dagar efter mottagandet.

**FÖR ALLA ANDRA FRÅGOR, VÄNLIGEN KONTAKTA VÅRT
KUNDSUPPORTTEAM.**

Monster Group (UK) is one of the UK's fastest growing online retailers. We supply a diverse range of products which offer exceptional value for money. We strive to provide the best possible customer experience with free UK delivery across all our products and a Monster Guarantee for 100% satisfaction.

For information regarding this device or other products from our Monster divisions please contact Sales.

SALES

TEL: 01347 878 888

EMAIL: hello@monstershop.co.uk

For queries about this device, warranty, returns or reporting faults please contact Support.

SUPPORT

TEL: 01347 878 887

EMAIL: help@monstershop.co.uk

Pour plus d'informations concernant cet appareil ou d'autres produits de nos divisions de Monster veuillez utiliser les détails suivants ci-dessous.

DÉPARTEMENT COMMERCIAL

TEL: 01347 878 888

EMAIL: bonjour@monstershop.eu

Pour les interrogations concernant cet appareil, la garantie, les retours ou les défauts de déclaration veuillez utiliser les détails suivants ci-dessous.

DÉPARTEMENT DE SOUTIEN

TEL: 01347 878 887

EMAIL: help@monstershop.co.uk

Para información sobre este dispositivo u otros productos de nuestras divisiones de Monster por favor use los siguientes detalles.

DEPARTAMENTO DE VENTAS

TEL: 01347 878 888

EMAIL: hola@monstershop.eu

Para consultas sobre este dispositivo, la garantía, devoluciones o denuncias de fallos por favor use los siguientes detalles.

DEPARTAMENTO DE SOPORTE

TEL: 01347 878 887

EMAIL: help@monstershop.co.uk

Für Informationen bezüglich dieses Geräts oder anderer Produkte aus unserer Monster-Abteilung, benutzen sie die folgenden unten aufgeführten Angaben.

VERKAUFABTEILUNG

TEL: 01347 878 888

EMAIL: hallo@monstershop.eu

Für Fragen über dieses Gerät, die Garantie, Rückgaben oder bei Störungen, benutzen sie die folgenden unten aufgeführten Angaben.

SUPPORT-ABTEILUNG

TEL: 01347 878 887

EMAIL: help@monstershop.co.uk

Per informazioni riguardanti questo dispositivo o altri prodotti dalle categorie Monster utilizzare i dettagli sotto riportati.

DIPARTIMENTO VENDITE

TEL: 01347 878 888

EMAIL: ciao@monstershop.eu

Per domande riguardo dispositivo, garanzia, reso o per riferire di guasti, utilizzare i dettagli sotto riportati.

DIPARTIMENTO SUPPORTO

TEL: 01347 878 887

EMAIL: help@monstershop.co.uk

Monster House, Alan Farnaby Way,
Sheriff Hutton Industrial Estate,
Sheriff Hutton, York, YO60 6PG
www.monstershop.co.uk



 Try **Monster**. Buy **Monster**. Be **Monster**. 