



Motorbike Tent Regular & Large

29593 - 29594

INSTRUCTION MANUAL

www.monstershop.co.uk



SPECIFICATION

PRODUCT DESCRIPTION

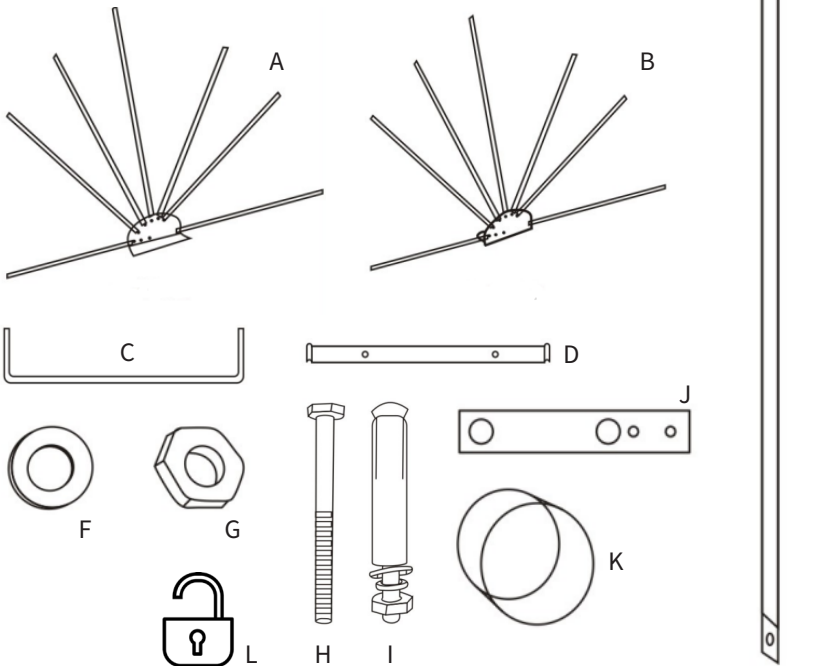
Our Monster Motorbike Tent is all you need to store your motorcycle effortlessly. This product will help keep your motorcycle clean and safe.

PRODUCT SPECIFICS

- MATERIAL:** 600D Oxford fabric, black powder coated steel
- DIMENSIONS:** 270 (L) x 105 (W) x 155cm (H) (29593)/
295 (L) x 105 (W) x 170cm (H) (29594)
- WEIGHT:** 18KG (29593) /
21KG (29594)

ITEM CONTENTS

- A x 1
- B x 1
- C x 7
- D x 1
- E x 2
- F x 8
- G x 8
- H x 8
- I x 6
- J x 2
- K x 2
- L x 2



SAFETY ADVICE

SAFE WORKING PRACTICE

Please read through the Safe Working Practice to ensure prevention of injury or damage to the device.

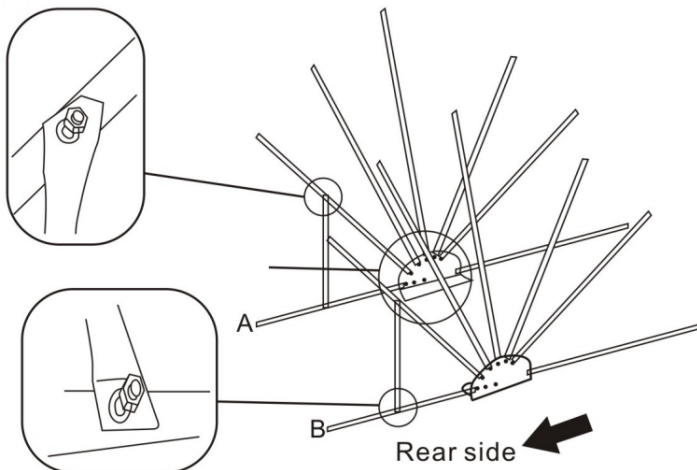
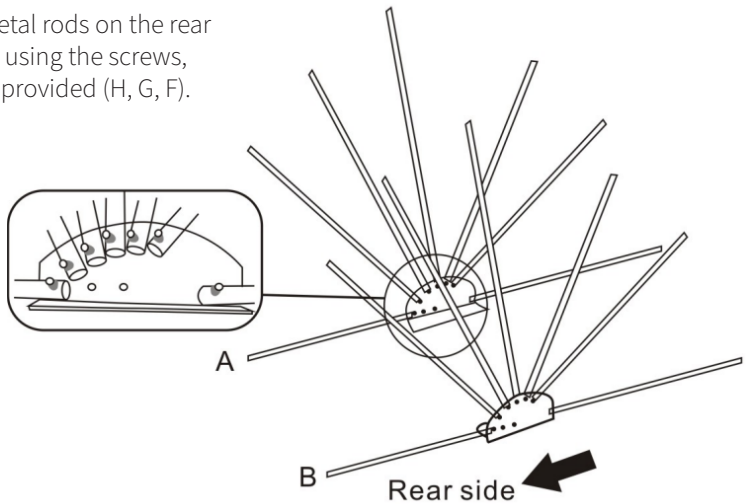
- Do not use this product for anything other than its intended purposes.
- Ensure you have read and fully understood the instruction manual and safety advice before using this product.
- Do not attempt to assemble this product on a windy day.
- Ensure this product is assembled and erected on a flat, hard/sturdy surface.
- Ensure this product is assembled securely.
- Ensure this product is erected in a safe place.
- This product must be bolted to the ground as per these instructions.
- Two people are required to assemble this product.
- We recommend wearing gloves during assembly of the product.
- Please take care when handling the metal bars as to not cause injury to yourself or others.
- This item is not a toy. Do not allow children to play with this product.

Monster Group UK Limited's liability will be limited to the commercial value of the product only.

USER GUIDE

ASSEMBLY INSTRUCTIONS

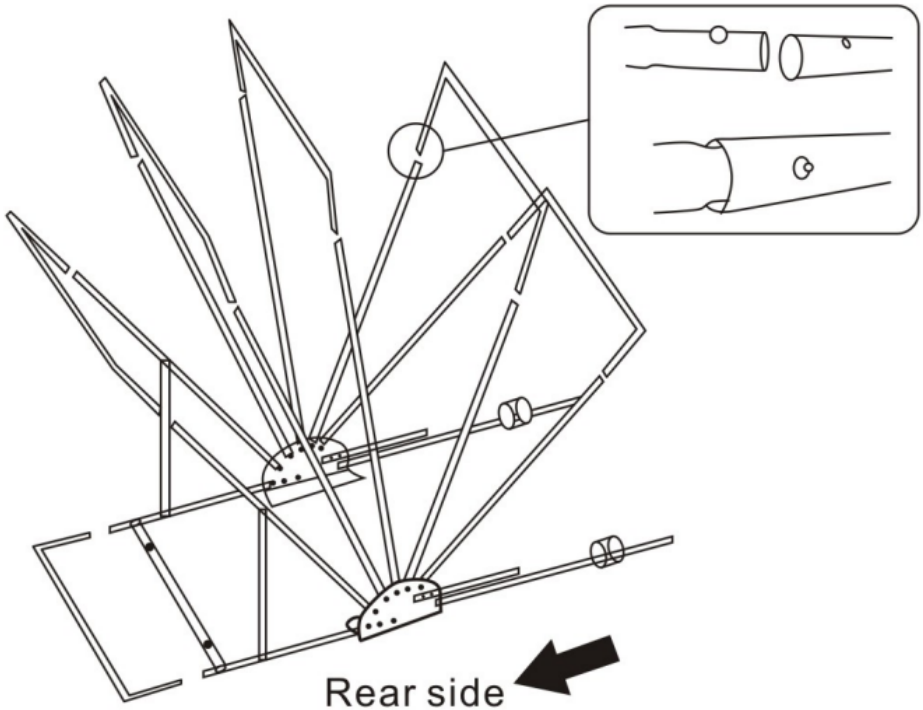
1. Ensure you have all the parts required to assemble the Motorbike Tent.
2. Start by placing part A and part B on the ground, parallel to each other as shown below. Ensure you are facing the shortest metal rod, which is the rear side of the tent.
3. Attach the 2 x E metal rods on the rear side of the tent by using the screws, nuts and washers provided (H, G, F).



USER GUIDE

ASSEMBLY INSTRUCTIONS

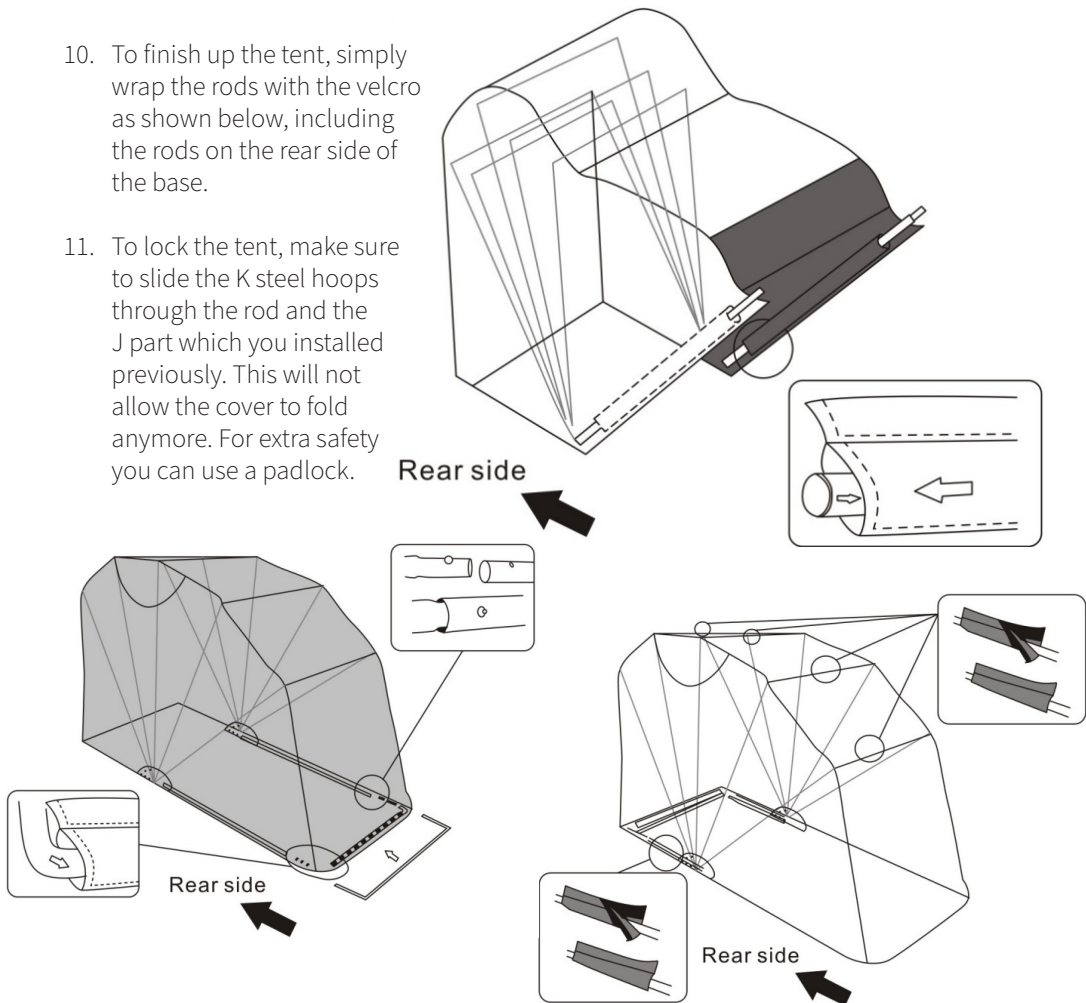
4. Connect part A and part B by using the 5 x C metal bars as shown below. Connect those on top of the metal rods from A and B, leaving the base rear and front disconnected.
5. Once part A and part B are connected by the C metal bars, the frame will stand by itself. Attach the D part to the rear side of the frame, as shown below.
6. Take the J parts and use the screws, nuts and washers to fix these onto the A and B bases, as shown below.
7. Slide the K steel hoop through the longest bottom rod on the front side of the frame. Do this on both the A and B sides of the frame. Make sure *not to slide* the K steel hoops through the J part which you installed on the previous step.



USER GUIDE

ASSEMBLY INSTRUCTIONS

8. Fold the frame backwards (towards the rear side), and spread the cover on the frame. Ensure the cover is correctly positioned over the rear and front sides. Slide the front rods (the longest base rods) through the fabric sleeves.
9. Pass one of the C metal bars through the front fabric sleeve. Once this is done you can connect it to base rods of A and B to complete the front side of the frame.
10. To finish up the tent, simply wrap the rods with the velcro as shown below, including the rods on the rear side of the base.
11. To lock the tent, make sure to slide the K steel hoops through the rod and the J part which you installed previously. This will not allow the cover to fold anymore. For extra safety you can use a padlock.



TROUBLESHOOTING

RESOLUTION GUIDE

WHAT DO I DO IF THERE ARE MISSING PARTS FROM MY ORDER?

If there appears to be any part missing from your order, contact our friendly and helpful Customer Support Team within 7 days of receipt.

**FOR ALL OTHER ISSUES, PLEASE CONTACT OUR
CUSTOMER SUPPORT TEAM.**