

Bike Tent

29595 - 29596

INSTRUCTION MANUAL

www.monstershop.co.uk



SPECIFICATION

PRODUCT DESCRIPTION

The Monster Bike Tent is the ideal solution for a portable shelter. This bike tent can be used to store your bikes, mopeds, garden tools, garden furniture and much more. It can also provide a dry space for log storage!



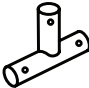
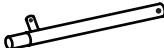

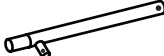
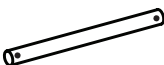
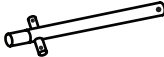
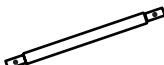



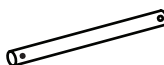

PRODUCT SPECIFICS

MATERIAL:	Black Powder Coated Steel 150D Oxford Fabric Cover
DIMENSIONS:	Bike Tent - Small: 160cm (H) x 92cm (W) x 187cm (D) Bike Tent - Large: 167cm (H) x 159cm (W) x 220cm (D)
NET WEIGHT:	Bike Tent - Small: 8KG Bike Tent - Large: 9KG

SPECIFICATION

PARTS LIST

When first unpacking your Bike Tent, check each part against this list to ensure that they are all present. If any parts are missing contact us before attempting to assemble.

A		4 PCS	H		2 PCS 1 PCS*
B		4 PCS	I-1		2 PCS
C		1 PCS	I-2		2 PCS
D		6 PCS	J		2 PCS
E		4 PCS	K		8 PCS
F		6 PCS	L		1 PCS
G		2 PCS 1 PCS*	M		20 PCS

*Small size

In addition to these parts you will need a mallet.

Monster Group UK Limited's liability will be limited to the commercial value of the product only.

SAFETY ADVICE

SAFE WORKING PRACTICE

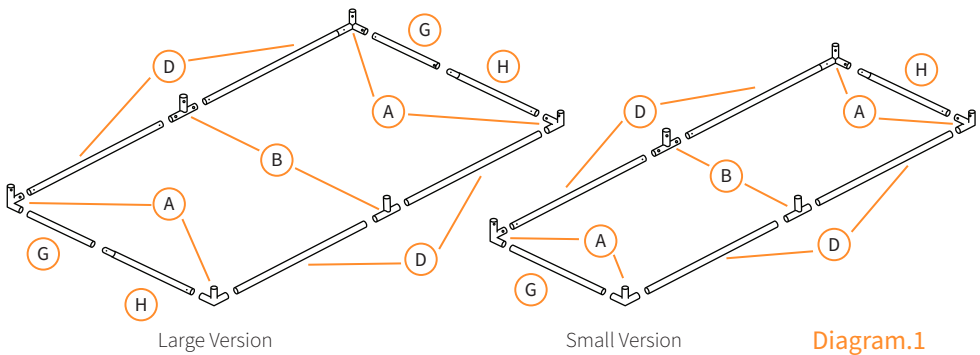
Please read through the Safe Working Practice to ensure prevention of injury or damage to the device.

- Do not use this product for anything other than its intended purposes.
- Ensure you have read and fully understood the instruction manual and safety advice before using this product.
- Ensure that this Bike Tent is handled and assembled according to these instructions.
- Do not attempt to assemble this Bike Tent on a windy day.
- Ensure this Bike Tent is assembled and erected on a flat surface.
- Ensure this product is assembled securely.
- Ensure this product is erected in a safe place.
- This product must be anchored to the ground.
- 2 people are required to assemble this Bike Tent.
- Wear gloves during assembly of the Bike Tent.

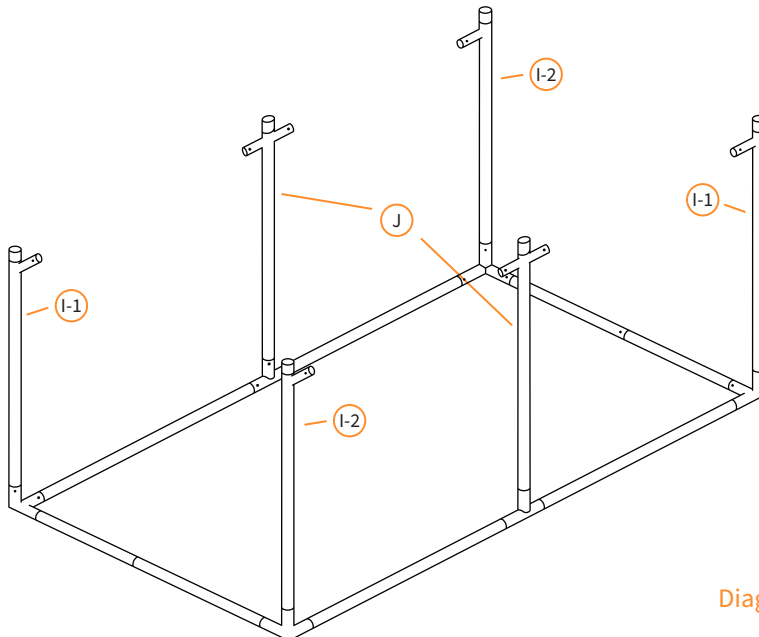
USER GUIDE

ASSEMBLY INSTRUCTIONS

1. Check you have each part that is needed to assemble the Bike Tent.
2. To assemble the base start by connecting the parts as described below.



3. Next, assemble the frame using parts I-1, I-2 and J and connect them to the base.



USER GUIDE

ASSEMBLY INSTRUCTIONS

4. Attach the frame walls using the E rods to connect the parts I-1 and I-2 to J.

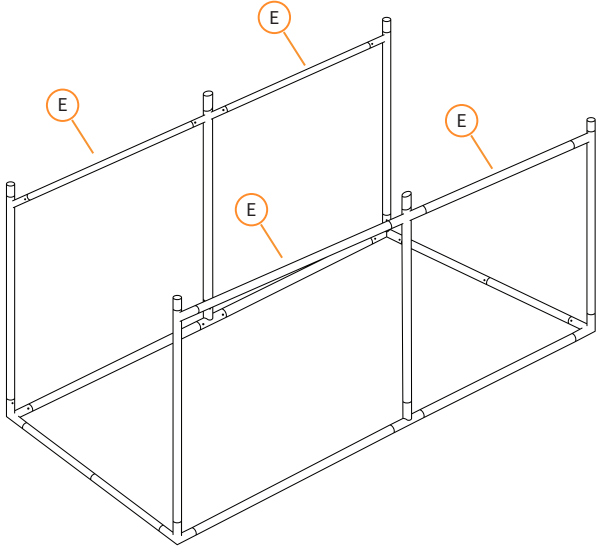


Diagram.3

5. To assemble the top frame, connect the parts as shown below.

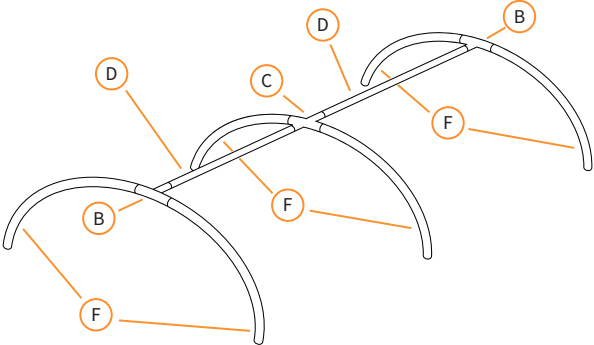


Diagram.4

USER GUIDE

ASSEMBLY INSTRUCTIONS

6. Attach the top frame to the rest of the frame.

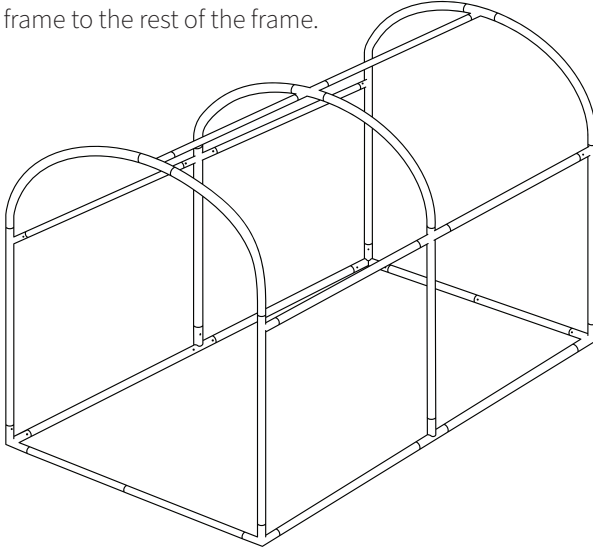


Diagram.5

7. Secure the bike tent using the mallet and the pegs **K** to fix the frame to the ground.

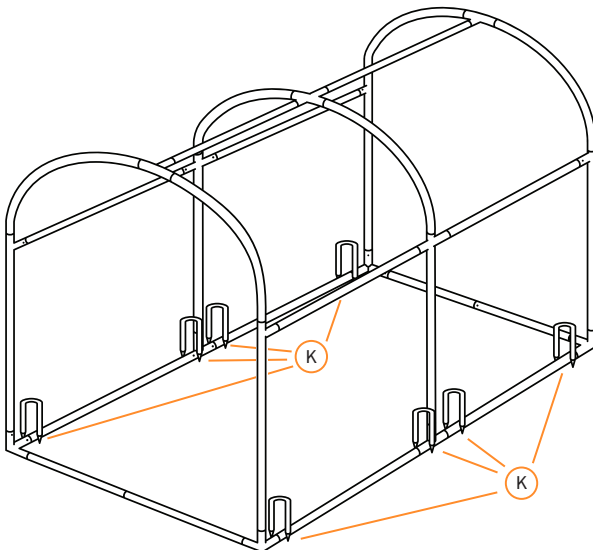


Diagram.6

USER GUIDE

ASSEMBLY INSTRUCTIONS

8. To attach the cover **L** to the frame, use the elastic cords **M** and wrap them through the holes in the cover and around the base of the frame as shown below.

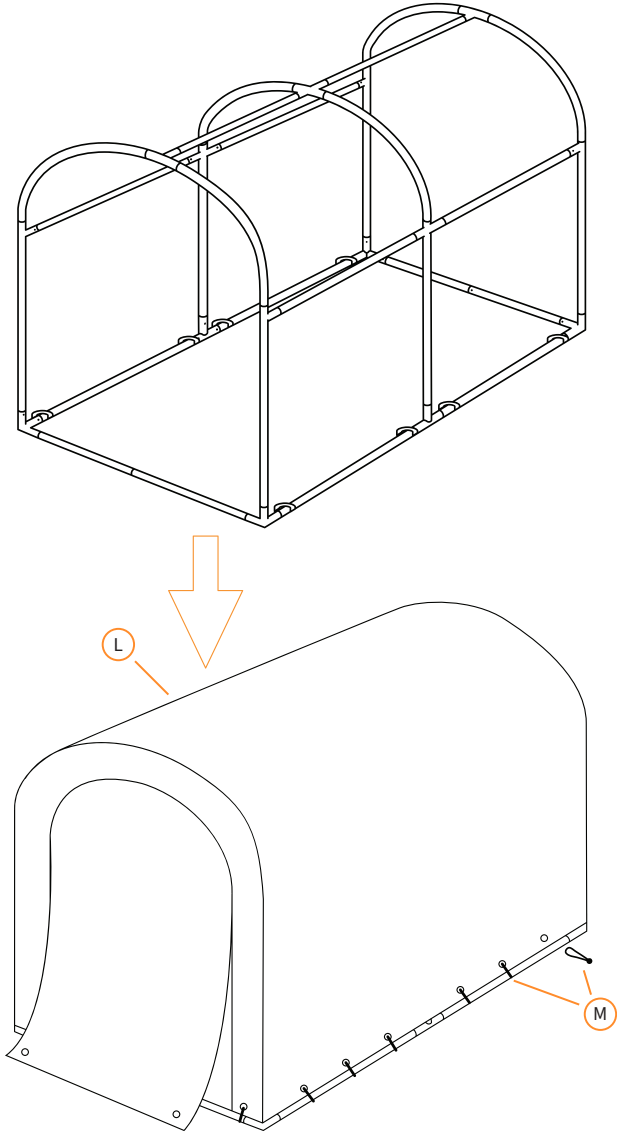


Diagram.7

TROUBLESHOOTING

RESOLUTION GUIDE

WHAT DO I DO IF THERE ARE MISSING PARTS FROM MY ORDER?

If there appears to be any part missing from your order, contact our friendly and helpful Customer Support Team within 7 days of receipt.

**FOR ALL OTHER ISSUES, PLEASE CONTACT OUR
CUSTOMER SUPPORT TEAM.**