

T-MECH HEAVY DUTY BLOCK SPLITTER

29865 / 29866

INSTRUCTION MANUAL

www.monstershop.co.uk

SPECIFICATION

PRODUCT DESCRIPTION

It's arrived! Your amazing Heavy Duty Block Splitter is ready and waiting to help you with your latest outdoor project.

The T-Mech Heavy Duty Block Splitter is ideal when it comes to cutting bricks and block paving, there's nothing cleaner or quicker than a T-Mech Block Splitter. Insert the piece to be cut, align, pull down the lever, and there you go!

Please Note: The T-Mech Block Splitter is designed to be used by a competent adult. Please refer and read Safety Advice, Safe Working Practice to ensure prevention of injury or damage to the device before starting.

PRODUCT SPECIFICS

330mm Block Splitter

Size: 81.5cm(H) x 31cm(W) x 45.5cm(D)
Weight: 38kg.

430mm Block Splitter

Size: 95cm(H) x 31cm(W) x 45.5cm(D)
Weight: 45kg.

Material: Power Coated Steel
Max Cutting Length: 330mm or 430mm
Min Block Thickness: 10mm
Max Block Thickness: 300mm

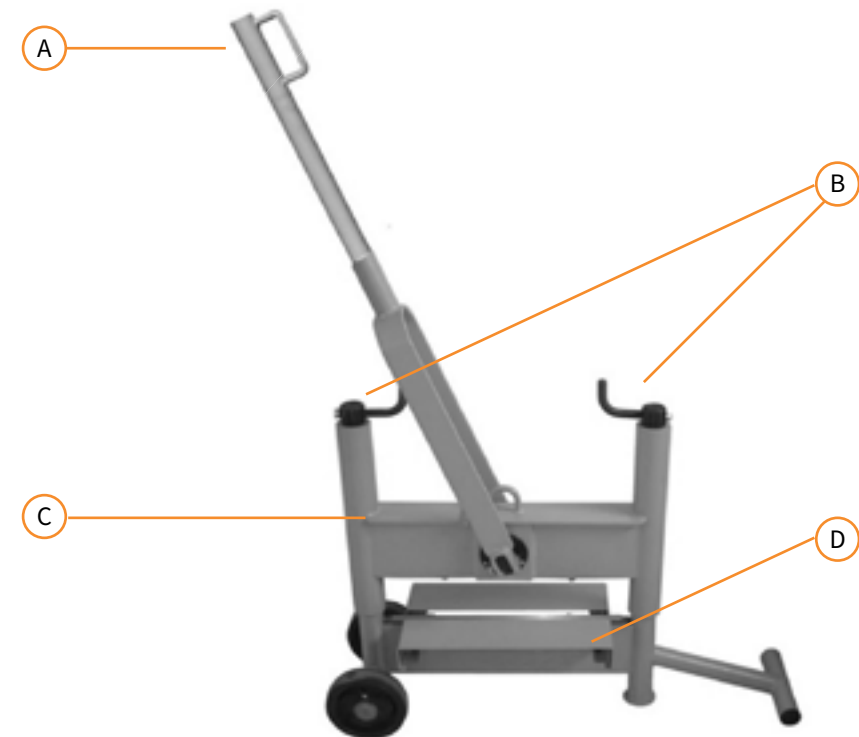
ITEM CONTENTS

1x Block Splitter
1x Handle

SPECIFICATION

PRODUCT FEATURES

- A. Handle
- B. Height Adjustment Knobs
- C. Upper Frame Assembly including upper cutting blade
- D. Block Support Plate including lower cutting blade



Monster Group UK Limited's liability will be limited to the commercial value of the product only.

SAFETY ADVICE

! SAFE WORKING PRACTICE

Please read through the Safe Working Practice to ensure prevention of injury or damage to the device.

- Do not use this product for anything other than its intended purposes.
- Ensure you have read and fully understood the instruction manual and safety advice before using this product.
- Do not allow children to use this product.
- Do not modify this product in any way.
- Use appropriate safety goggles & gloves when using this product.
- Keep all loose clothing, limbs & hair away from moving parts.
- Maintain a firm and level footing while using the product.
- Maintain a firm and level footing while using the product.
- Before use, check for misalignment or binding of moving parts.
- Ensure the cutting blade is clean and sharp before use as this will improve performance and increase the life of the product.

USER GUIDE

ASSEMBLY INSTRUCTIONS

1. Insert Handle into the Frame Assembly.
2. Secure handle to frame with the securing bolt.

OPERATION INSTRUCTIONS

1. Ensure the Block Splitter is on a dry and level surface before use.
2. Raise the handle to the upmost position.
3. Place a block on the block support plate and line up propose cut with the blade.
4. Using the height adjustment knobs lower the upper frame assembly so that the blade just touches the block.
5. Lower and firmly press down on the handle to perform the cut.
6. Return the handle to the raised position.
7. Removed the cut block and any debris.

USER GUIDE

CHANGING THE BLADE

1. Both cutting blades have 4 cutting edges and can be rotated to use the second, third and fourth cutting edge.
2. Loosen the 4 securing blade bolts (see picture below)
3. The blade can either be removed and replaced or rotated to use one of the other cutting edges.
4. Reposition the blade and retighten the blade securing bolts.
5. Repeat the above steps for the second cutting blade.



TROUBLESHOOTING

RESOLUTION GUIDE

WHAT DO I DO IF THERE ARE MISSING PARTS FROM MY ORDER?

If there appears to be any part missing from your order, contact our friendly and helpful Customer Support Team within 7 days of receipt.

**FOR ALL OTHER ISSUES, PLEASE CONTACT OUR
CUSTOMER SUPPORT TEAM.**

SPÉCIFICATIONS

DESCRIPTION DU PRODUIT

DÉTAILS DU PRODUIT

LISTE DES PIÈCES

SPÉCIFICATIONS

CARACTÉRISTIQUES DU PRODUIT

La responsabilité de Monster Group UK Limited sera limitée à la valeur commerciale du produit.

CONSEILS DE SÉCURITÉ

 PRATIQUE DE TRAVAIL SÉCURITAIRE

MODE D'EMPLOI

INSTRUCTIONS DE MONTAGE

MODE D'EMPLOI

ENTRETIEN

DÉPANNAGE

GUIDE DE RÉOLUTION

QUE FAIRE S'IL MANQUE DES PIÈCES À MA COMMANDE?

S'il semble manquer des pièces à votre commande, contactez notre équipe du service client dans les 7 jours suivant la réception.

**POUR TOUT AUTRE PROBLÈME, VEUILLEZ
CONTACTER NOTRE ÉQUIPE DU SERVICE CLIENT.**

SPEZIFIKATIONEN

PRODUKTBESCHREIBUNG

SPEZIFIKATION

PRODUKTMERKMALE

PRODUKTSPEZIFIKA

TEILELISTE

Die Haftung von Monster Group UK Limited ist auf den Handelswert des Produkts beschränkt.

SICHERHEITSHINWEIS

 SICHERES ARBEITEN

BENUTZERLEITFADEN

MONTAGEANLEITUNGEN

BENUTZERLEITFADEN

WARTUNG

FEHLERBEHEBUNG

LÖSUNGSGUIDE

WAS MACHE ICH, WENN BEI MEINER BESTELLUNG TEILE FEHLEN?

Falls bei Ihrer Bestellung ein Teil zu fehlen scheint, wenden Sie sich bitte innerhalb von 7 Tagen nach Erhalt der Ware an unser freundliches und hilfsbereites Kundenservice-Team.

FÜR ALLE ANDEREN FRAGEN WENDEN SIE SICH BITTE AN
UNSER KUNDENSERVICE-TEAM.

ESPECIFICACIONES

DESCRIPCIÓN DEL PRODUCTO

ESPECIFICACIONES

CARACTERÍSTICAS DEL PRODUCTO

ESPECIFICACIONES DEL PRODUCTO

LISTA DE PIEZAS

La responsabilidad de Monster Group UK Limited estará limitada únicamente al valor comercial del producto.

CONSEJOS DE SEGURIDAD

 PRÁCTICAS DE TRABAJO SEGURAS

GUÍA DEL USUARIO

INSTRUCCIONES DE ENSAMBLAJE

GUÍA DEL USUARIO

MANTENIMIENTO

SOLUCIÓN DE PROBLEMAS

GUÍA DE RESOLUCIÓN

¿QUÉ PUEDO HACER SI LE FALTAN PIEZAS A MI PEDIDO?

Si parece faltar alguna pieza en su pedido, por favor, comuníquese con nuestro amable y servicial Equipo de Atención al Cliente en los 7 días posteriores a la recepción de su pedido.

**PARA CUALQUIER OTRO PROBLEMA, POR FAVOR CONTACTE
CON NUESTRO EQUIPO DE ATENCIÓN AL CLIENTE**

SPECIFICHE

DESCRIZIONE DEL PRODOTTO

SPECIFICHE DEL PRODOTTO

LISTA COMPONENTI

SPECIFICHE

CARATTERISTICHE DEL PRODOTTO

La responsabilità di Monster Group UK Limited sarà limitata al solo valore commerciale del prodotto.

CONSIGLI PER LA SICUREZZA

 PRATICHE DI LAVORO SICURO

GUIDA UTENTE

ISTRUZIONI PER IL MONTAGGIO

GUÍA DEL USUARIO

MANTENIMIENTO

RISOLUZIONE DEI PROBLEMI

GUIDA ALLA RISOLUZIONE DEI PROBLEMI

COSA DEVO FARE SE NEL MIO ORDINE CI SONO DELLE PARTI MANCANTI?

Se sembra che all'interno del tuo ordine manchino delle parti, contatta il nostro gentile e disponibile team di assistenza clienti entro 7 giorni dalla ricezione del tuo ordine.

PER QUALUNQUE ALTRO PROBLEMA, CONTATTA IL NOSTRO TEAM DI ASSISTENZA CLIENTI.

OMSCHRIJVING

PRODUCT OMSCHRIJVING

SPECIFICATIE

PRODUCT SPECIFICATIE

PRODUCTSPECIFICATIES

ONDERDELENLIJST

De aansprakelijkheid van Monster Group UK Limited is beperkt tot de commerciële waarde van het product.

VEILIGHEIDSADVIJES

 VEILIG GEBRUIK

HANDLEIDING

MONTAGE-INSTRUCTIES

HANDLEIDING

ONDERHOUD

PROBLEEM OPLOSSEN

OPLOSSINGEN

WAT MOET IK DOEN ALS ER ONDERDELEN VAN MIJN BESTELLING ONTBREKEN?

Neem wanneer een onderdeel van je bestelling ontbreekt binnen 7 dagen na ontvangst contact op met onze vriendelijke en behulpzame klantenservice.

**NEEM VOOR ALLE ANDERE KWESTIES CONTACT
MET ONZE KLANTENSERVICE OP.**

 **SPECIFIKATION**
PRODUKT BESKRIVNING

SPECIFIKATION
PRODUKTFUNKTIONER

PRODUKTSPECIFIKATIONER

MEDFÖLJANDE DELAR

Monster Group UK Limiteds ansvar begränsas endast till produktens kommersiella värde.

SÄKERHETS RÅD

 SÄKER ARBETSÖVNING

ANVÄNDARGUIDE

MONTERINGS INSTRUKTIONER

BRUKSANVISNING

SKÖTSEL

FELSÖKNING

LÖSNINGSGUIDE

VAD GÖR JAG OM DET SAKNAS DELAR FRÅN MIN BESTÄLLNING?

Om det verkar som om någon del saknas i din beställning, kontakta vårt vänliga och hjälpsamma kundsupportteam inom 7 dagar efter mottagandet.

**FÖR ALLA ANDRA FRÅGOR, VÄNLIGEN KONTAKTA VÅRT
KUNDSUPPORTTEAM.**

Monster Group (UK) is one of the UK's fastest growing online retailers. We supply a diverse range of products which offer exceptional value for money. We strive to provide the best possible customer experience with free UK delivery across all our products and a Monster Guarantee for 100% satisfaction.

For information regarding this device or other products from our Monster divisions please contact Sales.

SALES

TEL: 01347 878 888

EMAIL: hello@monstershop.co.uk

For queries about this device, warranty, returns or reporting faults please contact Support.

SUPPORT

TEL: 01347 878 887

EMAIL: help@monstershop.co.uk

Pour plus d'informations concernant cet appareil ou d'autres produits de nos divisions de Monster veuillez utiliser les détails suivants ci-dessous.

DÉPARTEMENT COMMERCIAL

TEL: 01347 878 888

EMAIL: bonjour@monstershop.eu

Pour les interrogations concernant cet appareil, la garantie, les retours ou les défauts de déclaration veuillez utiliser les détails suivants ci-dessous.

DÉPARTEMENT DE SOUTIEN

TEL: 01347 878 887

EMAIL: help@monstershop.co.uk

Para información sobre este dispositivo u otros productos de nuestras divisiones de Monster por favor use los siguientes detalles.

DEPARTAMENTO DE VENTAS

TEL: 01347 878 888

EMAIL: hola@monstershop.eu

Para consultas sobre este dispositivo, la garantía, devoluciones o denuncias de fallos por favor use los siguientes detalles.

DEPARTAMENTO DE SOPORTE

TEL: 01347 878 887

EMAIL: help@monstershop.co.uk

Für Informationen bezüglich dieses Geräts oder anderer Produkte aus unserer Monster-Abteilung, benutzen sie die folgenden unten aufgeführten Angaben.

VERKAUFABTEILUNG

TEL: 01347 878 888

EMAIL: hallo@monstershop.eu

Für Fragen über dieses Gerät, die Garantie, Rückgaben oder bei Störungen, benutzen sie die folgenden unten aufgeführten Angaben.

SUPPORT-ABTEILUNG

TEL: 01347 878 887

EMAIL: help@monstershop.co.uk

Per informazioni riguardanti questo dispositivo o altri prodotti dalle categorie Monster utilizzare i dettagli sotto riportati.

DIPARTIMENTO VENDITE

TEL: 01347 878 888

EMAIL: ciao@monstershop.eu

Per domande riguardo dispositivo, garanzia, reso o per riferire di guasti, utilizzare i dettagli sotto riportati.

DIPARTIMENTO SUPPORTO

TEL: 01347 878 887

EMAIL: help@monstershop.co.uk

Monster House, Alan Farnaby Way,
Sheriff Hutton Industrial Estate,
Sheriff Hutton, York, YO60 6PG
www.monstershop.co.uk



 Try **Monster**. Buy **Monster**. Be **Monster**. 