






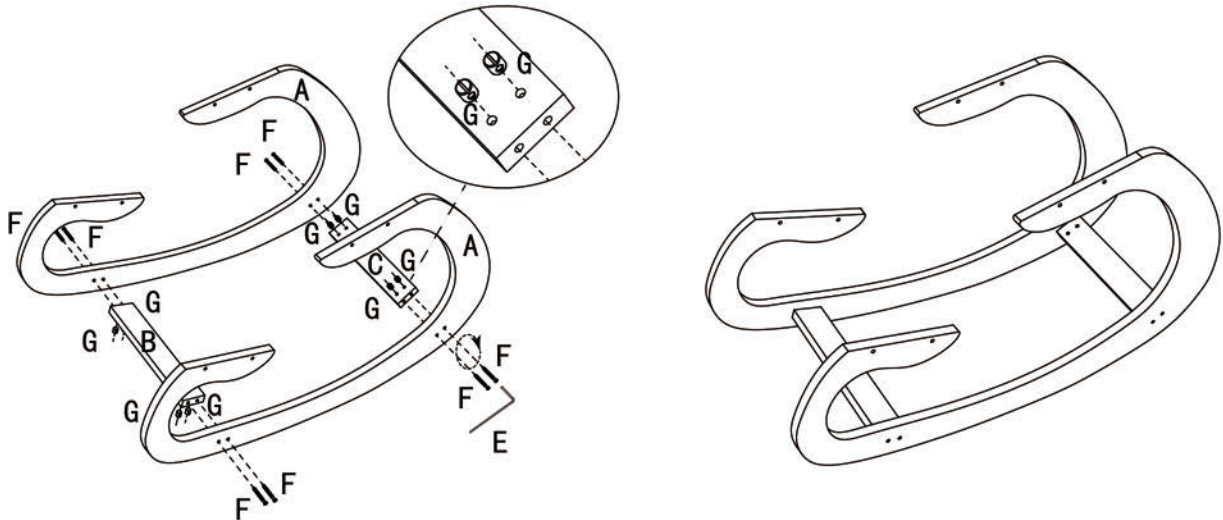


# ASSEMBLY INSTRUCTION

 <p>A 2PCS</p>	 <p>B 1PCS</p>	 <p>C 1PCS</p>	 <p>D 2PCS</p>	 <p>E 1PCS</p>	 <p>F 16PCS</p>	 <p>G 16PCS</p>
---	---	---	---	--	--	--

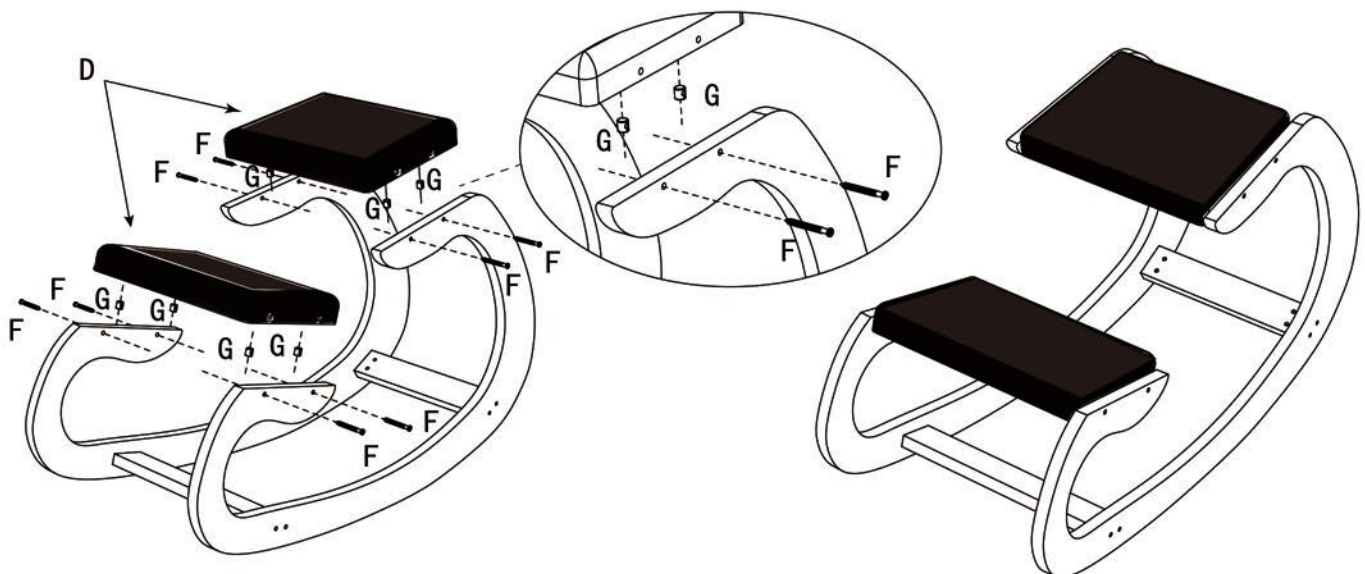
## ● Main body structure part



- (1) Assemble the frame and the horizontal axis-as shown in the diagram
- (2) Put the nut into the groove on the horizontal axis
- (3) Pass the screws through the chair's frame
- (4) Screw the screw with a six ribbed screwdriver

**▲ Be careful! The hole in the horizontal axis is below**

## ● Frame assembly to complete a schematic diagram



- (1) Put the cushion on the assembled frame
- (2) Put the nut in the grooves of the seat cushion
- (3) Pass the screws through the frame and the cushion
- (4) Screw the screw with a six ribbed screwdriver