



POLYCARBONATE GREENHOUSE

25925 / 25941

INSTRUCTION MANUAL

www.monstershop.co.uk



SPECIFICATION

PRODUCT DESCRIPTION

The Monster Greenhouse is a flat pack, easy to assemble, aluminium/polycarbonate garden greenhouse. It is 6ft wide & 10ft long.

PRODUCT SPECIFICS

4mm Polycarbonate glazing

1mm – 1.3mm Aluminium frame

0.8mm steel base (optional)

Width - 6' 0

Height - Apex 6' 0" Door 5' 2" Sides 4' 2"

Length - 10' 0"

Weight - 51KG (with base)

Weight - 41.1KG (without base)

TOOLS & SAFETY EQUIPMENT REQUIRED

1. Gloves
2. Step ladder
3. Powered screw driver with a Philips No 1 head
4. 10mm spanner or socket
5. Set square

Note: These tools are not provided. At least two people are needed to assemble this greenhouse.

Monster Group UK Limited's liability will be limited to the commercial value of the product only.

SPECIFICATION

PRODUCT FEATURES

- A. Galvanised aluminium frame
- B. Twin wall polycarbonate glazing
- C. Hollow box profile aluminium ridge beam for greater strength and rigidity
- D. Clip free glazing system which holds the polycarbonate glazing in position more securely
- E. Horizontal braces in the side walls and roof to provide greater structural rigidity
- F. Opening roof vent
- G. Sliding door
- H. Galvanized steel base (optional)
- I. Apex roof & Gutters



SPECIFICATION

ITEM CONTENTS

When first unpacking your greenhouse, check each part against this list to ensure that they are all present. Each part is clearly labelled. If any are missing contact us before attempting to assemble.

Part	Quantity	Description
J45	2	Ridge end cap
J46L	2	Gutter end cap (left)
J46R	2	Gutter end cap (right)
J47	2	Door rail end cap
L10	1	Front sill
L11	1	Front wall horizontal glazing bar centre
L12A	4	Horizontal cross brace
L13	1	Rear sill
L14	1	Door support rail
L15	1	Door glazing bar, upper
L16	2	Door glazing bar, centre
L17	1	Door glazing bar, lower
L18	2	Door glazing bar, left & right
L19	2	Vent glazing bar, left & right
L20	1	Vent glazing bar upper
L21	1	Vent glazing bar lower
LO1A	4	Front & rear wall outer vertical glazing bars left & right
LO1B	4	Inclined roof glazing bar (2 front + 2 rear)
LO2A	8	Side wall glazing bar centre
LO2B	6	Roof glazing bar centre, plain side
LO2C	1	Roof glazing bar inner, vent side
LO2D	1	Roof glazing bar inner, vent side
LO3B	6	General glazing bar
LO4A	2	Front & rear wall inner vertical glazing bar left
LO4B	2	Front & rear wall inner vertical glazing bar right

SPECIFICATION

ITEM CONTENTS

Part	Quantity	Description
LO5A	1	Rear wall horizontal brace
LO5B	2	Front wall horizontal brace left & right
LO6	1	Roof Ridge
LO7	2	Side wall glazing bar top
LO8A	2	Side wall sill
LO9	2	Gutter
MO1	46	M6 Nuts
S03	46	M6 Bolt
S28	2	M4 Bolt
M02	2	M4 Nut
D47	6	Angle support plate
A01	1	Window stay
A03	1	Window stay bracket
Y1	2	Front & Rear wall upper glazing panel right
Y10	1	Vent glazing panel
Y11	1	Door centre glazing panel
Y12	2	Door upper & lower glazing panel
Y2	5	Front & Rear wall lower glazing panel
Y3	1	Rear wall upper glazing panel centre
Y4	2	Front & Rear wall upper glazing panel left
Y5	1	Front wall upper glazing panel centre
Y6	10	Side wall glazing panel
Y7	9	Roof glazing panel (large)
Y8	0	Not used
Y9	1	Roof glazing panel (small)
Z08	168	Self drilling screw
C	4	Base corner legs/bracket
A1	2	Base Front/Rear Beam
B1	2	Base Left/Right Beam

SAFETY ADVICE

SAFE WORKING PRACTICE

Please read through the Safe Working Practice to ensure prevention of injury or damage to the greenhouse.

Ensure you have read and fully understood the instruction manual and safety advice before assembling this product.

At least two people are required to assemble this greenhouse.

Ensure that this greenhouse is handled and assembled according to these instructions.

Do not attempt to assemble this greenhouse on a windy day.

Ensure this greenhouse is assembled and erected on a flat surface.

Ensure this product is assembled securely.

Ensure this product is erected in a safe place.

This product must be anchored to the ground.

Do not use this product for anything other than its intended purposes.

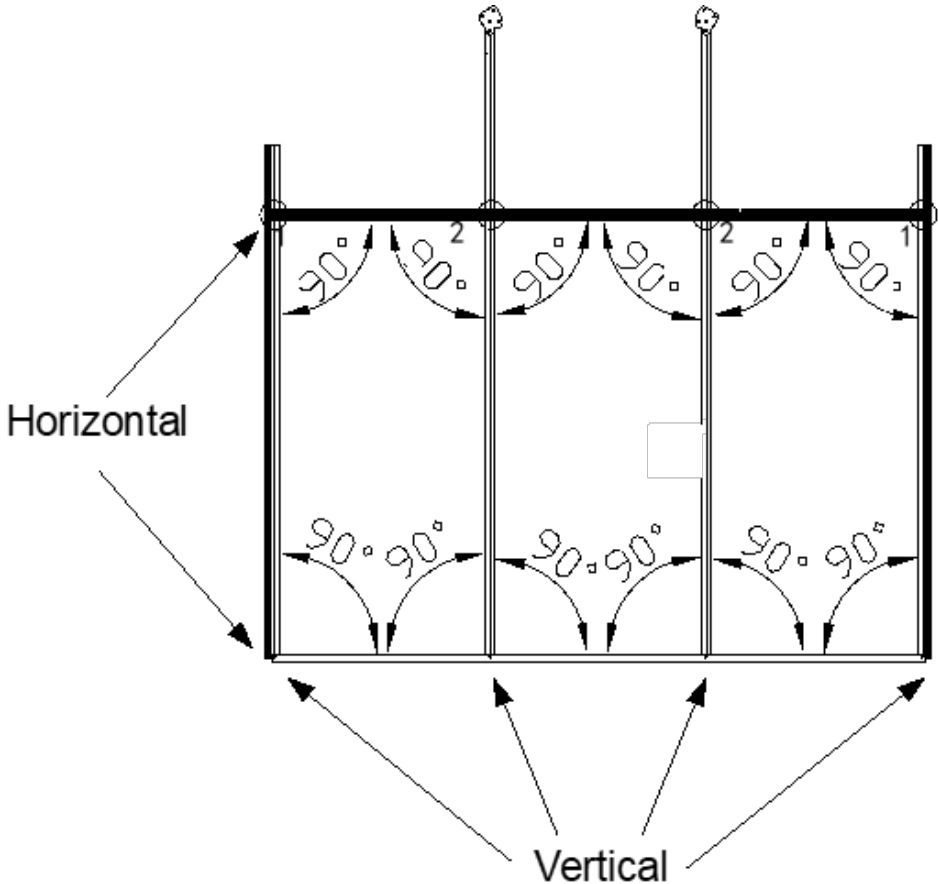
Ensure that all other materials used with this product are up to standard.

USER GUIDE

GENERAL ASSEMBLY GUIDE LINES

The greenhouse consists of a number of different sections. The principle method of assembly is the same for all sections. Lay the components out on the floor in the pattern in which they will be assembled. Study the drawings and make sure you understand how each part will be assembled.

With the exception of the roof all angles are a right angle (90 degrees). The base of the greenhouse must be flat and horizontal. All the uprights will then be vertical. This is critical to ensure the glazing panels fit correctly.

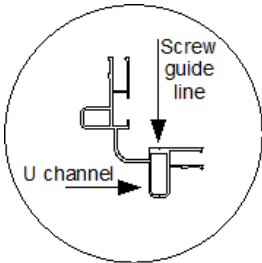


USER GUIDE

SELF DRILLING SELF TAPPING SCREWS

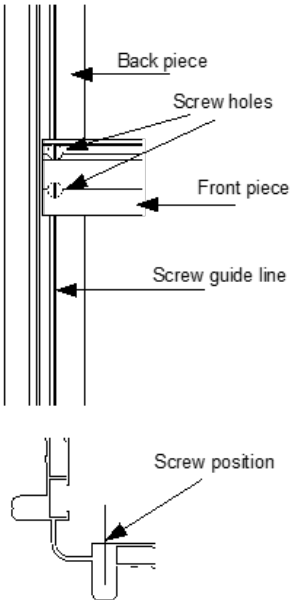
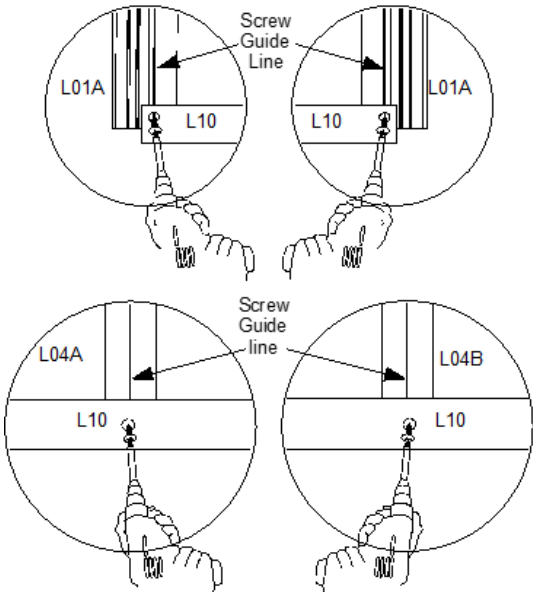
There are no pre drilled holes in the frame for the screws. For this reason self drilling screws are used. These will cut through the aluminium frame easily. It is recommended that an electric screwdriver is used, ideally with variable speed.

Where screws are to be used, a guide line has been cut into the aluminium component. On the reverse of the component there is a channel shaped like an elongated U to accommodate the screw (see diagram). This is true for almost all screw fixings. Where this is not the case details will be provided in the instructions on how to proceed.



Each piece to be secured will have one or two screw hole(s) pre-drilled. Once this piece has been positioned the screw guide line will be visible through the hole(s). Using an electric screw driver, drill the screws into the back piece, using the hole(s) and guide line to ensure the correct position.

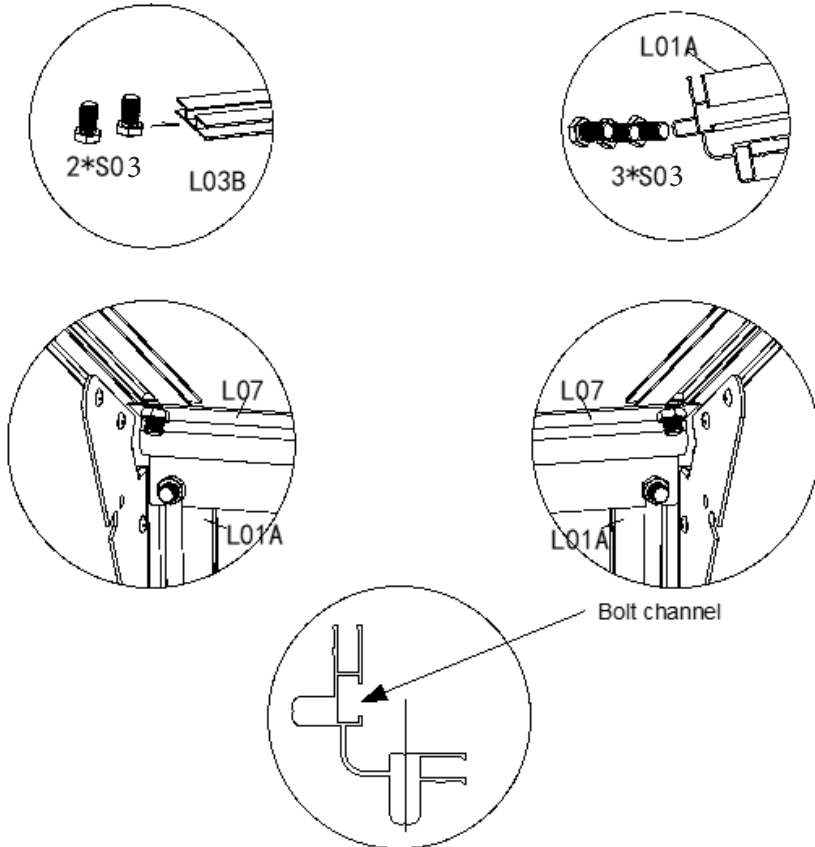
Examples of using the self drilling screws.



USER GUIDE

NUTS AND BOLTS

Many of the components are secured with nuts and bolts.



Examples of using the bolt channels

When securing components with the nuts (M01) and bolts (S03) the bolt will be inserted into the bolt channel. The component to be secured will be placed over the protruding bolt. A nut will then be threaded onto the bolt and tightened securing the component in place. In some cases it will be necessary to insert some extra bolts into the bolt channel for later use. This is important as they will be used to secure components later in the build. To keep these extra bolts from moving around a nut can be threaded on and finger tightened. Where this is not the case details will be provided in the instructions on how to proceed.

USER GUIDE

GLAZING PANELS

The panels are labelled and covered in a protective film, white on one side and clear on the other.

The glazing panels are treated on one side for protection against damage by sunlight (this is not to be confused with the protective film). This treated side must face outward to provide protection for the body of the glazing panels.

When fitting a panel peel the film away in a 5cm strip all round the panel on both sides. Panels should be fitted with the white side outwards. They can be used as spacers for some of the frame e.g. Front and rear wall inner vertical glazing bars.

The glazing channels are 10mm deep and the panels need to be slotted all the way to the bottom of this channel.

GREENHOUSE ASSEMBLY

FRONT WALL

PARTS NEEDED:

Part	Qty	Description
L01A	2	Front wall outer vertical glazing bars left & right
L01B	2	Inclined roof glazing bar
L03B	2	General glazing bar
L04A	1	Front wall inner vertical glazing bar left
L04B	1	Front wall inner vertical glazing bar right
L05B	2	Front wall horizontal brace left & right
L11	1	Front wall horizontal glazing bar centre
L10	1	Front sill
Y1	1	Front wall upper glazing panel right
Y2	2	Front wall lower glazing panel
Y5	1	Front wall upper glazing panel centre
Y4	1	Front wall upper glazing panel left
D47	3	Angle support plate
Z08	24	Screw
S03	9	M6 bolt
M01	9	M6 nut

GENERAL DESCRIPTION

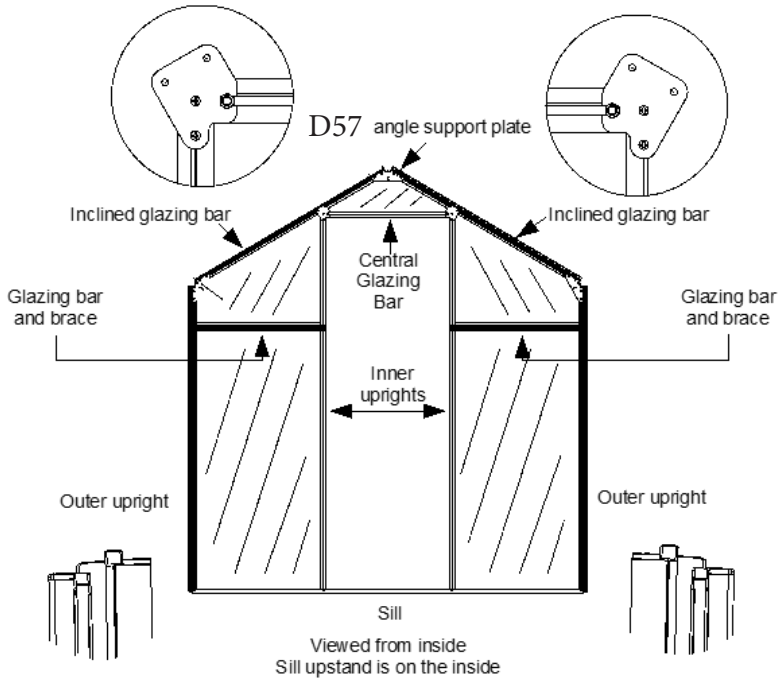
The Front wall consists of a sill (L10), 2 outer uprights (L01A), 2 inner uprights (L04A&B), 2 glazing bars (L03B), 2 braces (L05B), 2 inclined roof glazing bars (L01B) and a central glazing bar (L11).

Begin by laying all the components out on the floor. Make sure you have all the components and you understand their position and orientation.

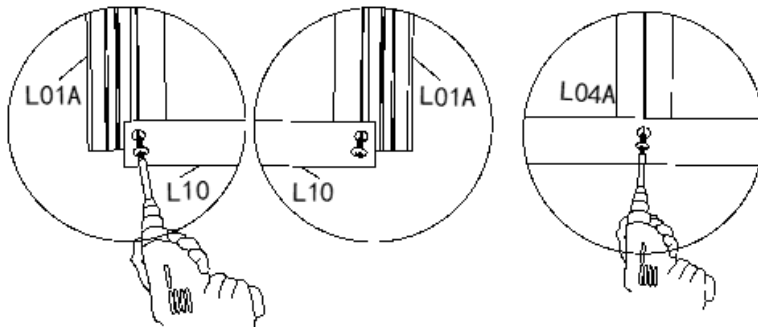
The front and rear walls are small and light enough to be assembled under cover (in a garage for example) and carried to the intended erection site.

GREENHOUSE ASSEMBLY

FRONT WALL



1. Begin by attaching 1 outer upright (L01A) to the sill with a screw, either side will do. The up-stand on the sill will be on the inside. Ensure the uprights are the correct way round.

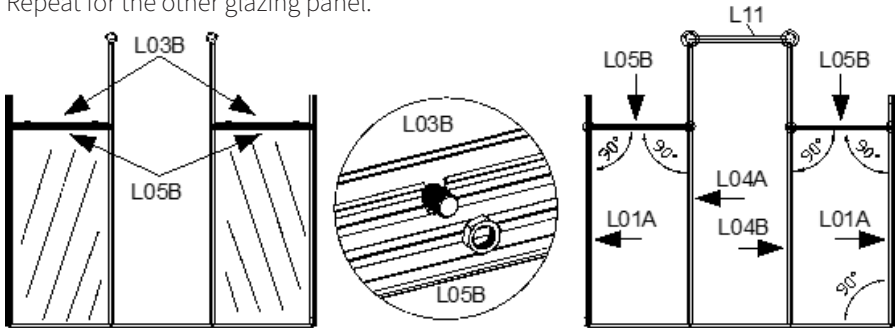


2. Insert a lower glazing panel (Y2) and use this as a spacer to locate the inner upright (L04A) on that side.
3. Attach the inner upright with a screw. Ensure the slot in the bracket on top faces inwards.
4. Repeat for the other side.

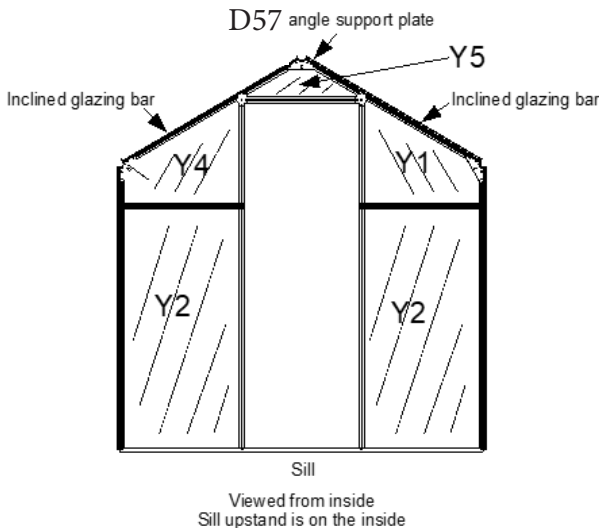
GREENHOUSE ASSEMBLY

FRONT WALL

5. Insert 2 x M6 bolts into each of 2 (L03B) glazing bars. Position a glazing bar on top of each of the 2 lower glazing panels.
6. Offer up a horizontal brace (L05B) to one of the glazing bars and, after adjusting the position of the bolts, lift into place. Put a nut onto each of the bolts and tighten finger tight.
7. Repeat for the other glazing panel.



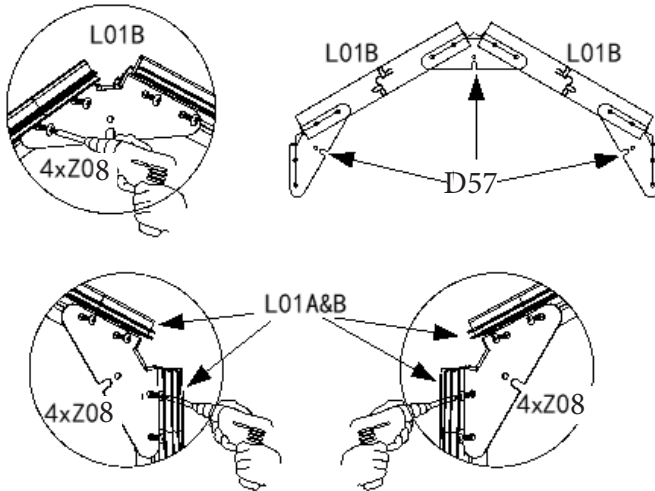
8. Secure each brace with a screw at each end but do not fully tighten.
9. Check that the wall panel is square. Tighten the screws and the 4 nuts.
10. Insert and tighten a second screw in each end of both braces.
11. Insert three bolts into the outer bolt channel of the central glazing bar (L11) for later use. Insert two bolts into the inner bolt channel and use these to secure the bar between the two brackets on the top of the inner uprights.
12. Slot the three upper glazing panels (Y1, Y4 & Y5) into place.



GREENHOUSE ASSEMBLY

FRONT WALL

13. Position the 2 inclined roof glazing bars (L01B) on top of the upper glazing panels. Secure these in place with 3 angle support plates (D47) using 12 screws.



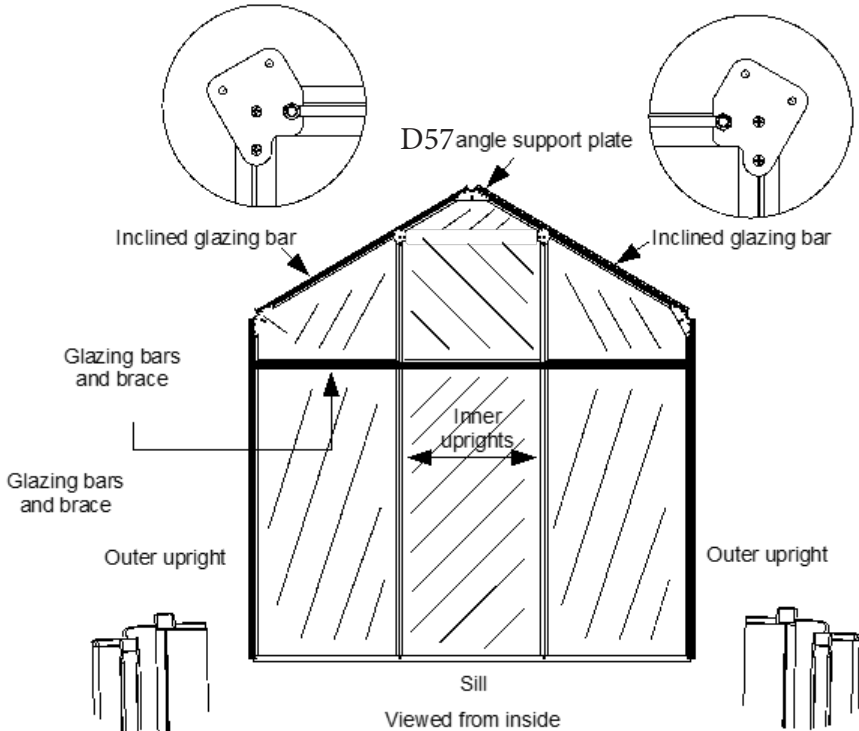
REAR WALL

PARTS NEEDED:

Part	Qty	Description
L01A	2	Rear wall outer vertical glazing bars left & right
L01B	2	Inclined roof glazing bar left & right
L03B	3	General glazing bar
L04A	1	Rear wall inner vertical glazing bar left
L04B	1	Rear wall inner vertical glazing bar right
L05A	1	Rear wall horizontal brace
L13	1	Rear sill
Y1	1	Rear wall upper glazing panel right
Y2	3	Rear wall lower glazing panel
Y3	1	Rear wall upper glazing panel centre
Y4	1	Rear wall upper glazing panel left
D47	3	Angle support plate
Z08	24	Screw
S03	6	M6 bolt
M01	6	M6 nut

GREENHOUSE ASSEMBLY

REAR WALL



GENERAL DESCRIPTION

As with the front wall, the rear wall consists of a sill, 2 outer uprights, 2 inner uprights, 2 inclined roof glazing bars and 3 general glazing bars. This time however there is only 1 brace which runs across the full width of the wall.

Lay all the components out on the floor. Make sure you have all the components and you understand their position and orientation.

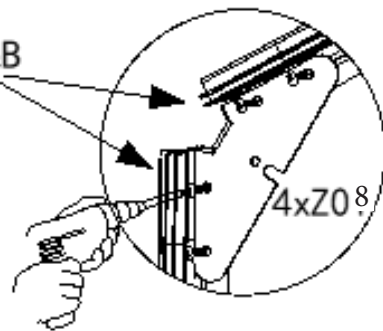
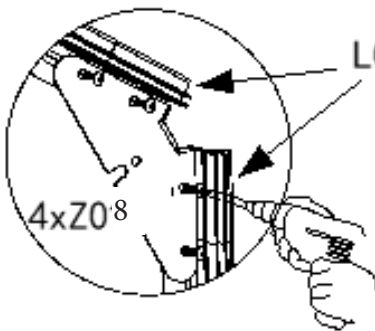
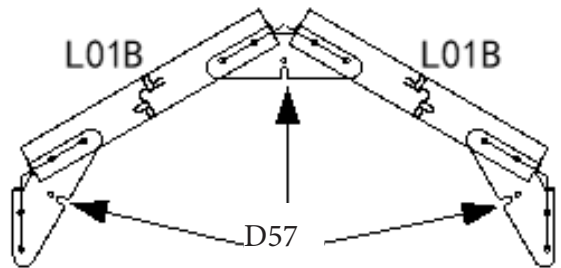
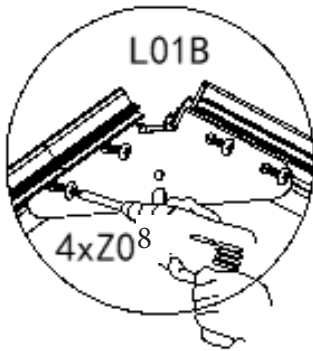
ASSEMBLY

1. Begin by attaching 1 outer upright to the sill with a screw, either side will do. Ensure the uprights are the correct way round.
2. Insert a lower glazing panel and use this as a spacer to locate the inner upright on that side.
3. Attach the inner upright with a screw.
4. Repeat for the other side.
5. Insert the centre glazing panel.
6. Insert 2 x M6 bolts into each of 3 (L03B) glazing bars. Position a glazing bar on top of each of the 3 lower glazing panels.
7. Insert the 3 upper glazing panels.

GREENHOUSE ASSEMBLY

REAR WALL

- Offer up the horizontal brace (L05A) and, after adjusting the position of the bolts, lift into place. Put a nut onto each of the bolts and tighten finger tight.
- Secure the brace with a screw at each end but do not fully tighten.
- Check that the wall panel is square.
- Tighten the outer screws and the 6 nuts.
- Secure the brace to the inner uprights with 1 screw each.
- Once again check that all is square then secure the brace to the 4 uprights with 4 more screws.
- Position the 2 roof glazing bars (L01B) on top of the upper glazing panels. Secure these in place with 3 angle supports (D47).



GREENHOUSE ASSEMBLY

SIDE WALL - LEFT AND RIGHT

PARTS NEEDED:

Part	Qty	Description
L02A	8	Side wall vertical glazing bars
L08A	2	Side wall sill
L07	2	Side wall eaves
L12A	2	Side wall horizontal cross brace
M01	24	M6 nuts
S03	24	M6 bolt
Z08	32	M4.2x16 screw
Y6	10	Side wall glazing panel

GENERAL DESCRIPTION

The side walls are much simpler than the front and rear walls. Each consists of a sill (L08A) at the bottom, eaves (L07) at the top, four inner vertical glazing bars (L02A) and a cross brace (L12A). They have no outer uprights as these are formed by the outer uprights on the front and rear walls. They also have only five glazing panels each (Y6).

The three horizontal parts of the side walls (sill, brace & eaves) effectively connect the front wall to the rear. These are secured with nuts & bolts. Three will be needed for each corner so twelve in total.

The eaves also need to be bolted to the roof glazing bars at this time. It's a good idea to install all the nuts & bolts required for the roof before this is done. Three will be needed for each corner so twelve in total.

Front/Rear wall preparation

Begin by installing three bolts into the bolt channel of each outer upright (L01A) of the front and rear wall. It's a good idea to thread a nut onto each bolt prior to installation. One bolt will be needed at the top, one at the bottom & one in the middle so slide the bolts roughly into position and tighten the nuts finger tight to stop them sliding out.

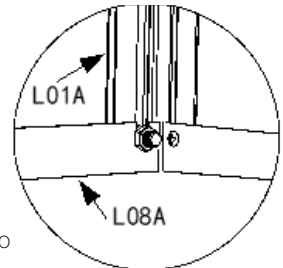
Next install three bolts into each roof glazing bar (L01B). One bolt will be needed at the top, one at the bottom & one in the middle so slide the bolts roughly into position and tighten the nuts finger tight to stop them sliding out.

Side Wall Assembly

To begin construction of the side walls the front and rear walls will need to be held upright at the appropriate distance apart and the correct orientation. Position the components of each side wall on either side. Both sides are the same so it doesn't matter which is done first.

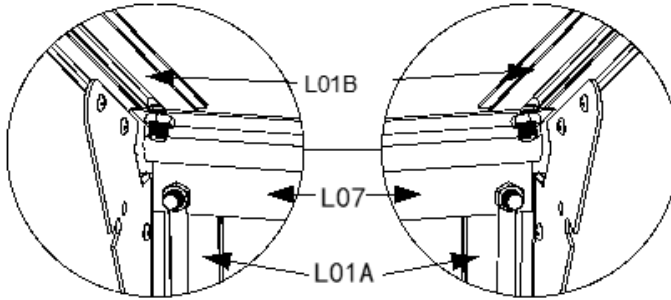
Attach the sill (L08A) to the front and rear outer uprights (L01A) using the nut & bolt already installed.

Attach the eaves (L07) to the front and rear outer uprights (L01A) using the nut & bolt already installed. Also attach the roof glazing bars (L01B) to the eaves using the nut & bolt already installed in the roof bars.

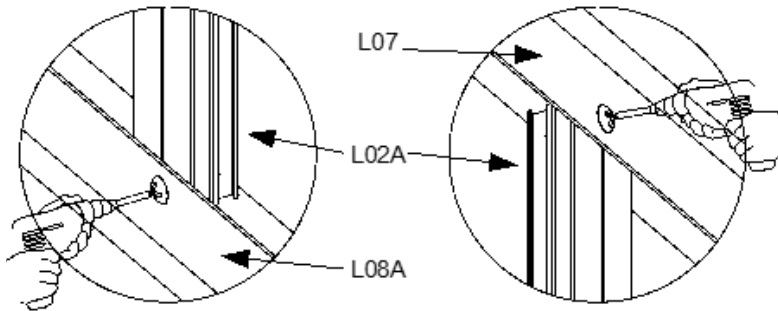


GREENHOUSE ASSEMBLY

SIDE WALL - LEFT AND RIGHT

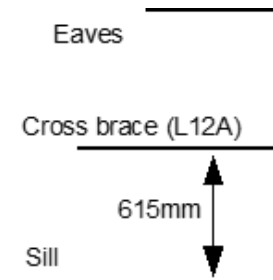


Attach the vertical glazing bar (L02A) to the sill and to the eaves using a single screw at each end.



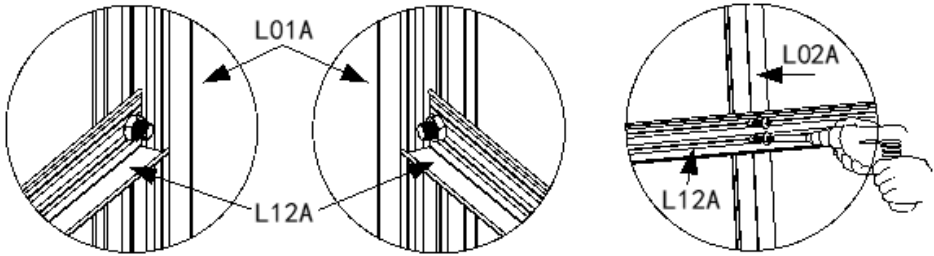
Make sure all the interior angles are 90°

Attach the horizontal cross brace (L12A) to the vertical uprights (L01A), using the bolts already installed, at a height of 615mm from the bottom of the upright to the bottom of the brace. Attach the cross brace to the centre glazing bar (L02A) with two screws.



GREENHOUSE ASSEMBLY

SIDE WALL - LEFT AND RIGHT



Repeat for the other side.

VENT ASSEMBLY

The vent consists of four glazing bars, one glazing panel and a window stay (A01). The glazing bars are held together with four screws. The window hinges at the top (from the roof ridge (L06)) with the window stay at the bottom. The window stay is attached with two M4 nuts and bolts.

PARTS NEEDED:

Part	Qty	Description
L19	2	Vent glazing bar, left & right
L20	1	Vent glazing bar, upper
L21	1	Vent glazing bar, lower
A01	1	Window stay
Y10	1	Vent glazing panel
Z08	4	M4.2x16 screw
S28	2	M4x10 bolt
M02	2	M4 nut

Insert the glazing panel (Y10) into the upper glazing bar (L20). The hinge tube should be uppermost (see drawing).

Attach two side glazing bars (L19), with the ridged side uppermost, using screws.

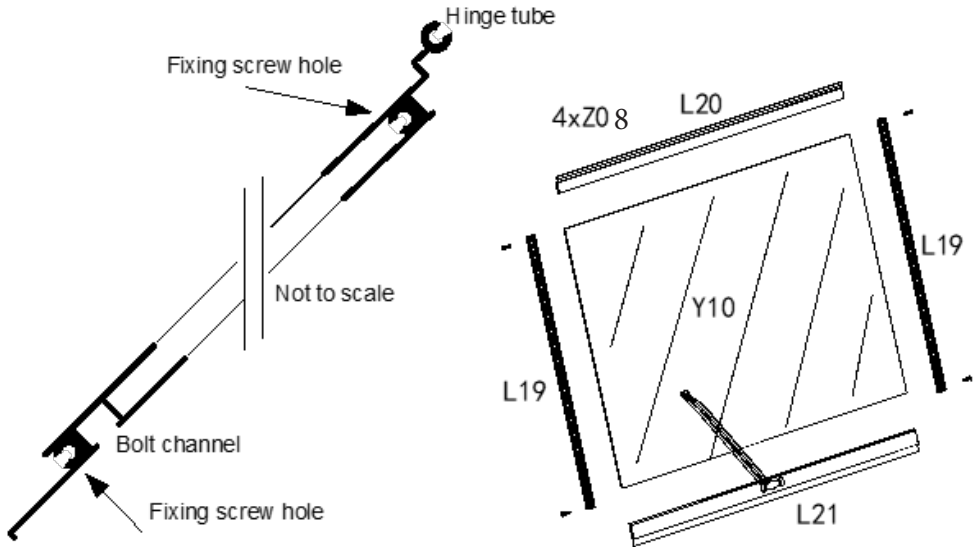
Insert two bolts (S28) into the bolt channel in the lower glazing bar (L21).

Attach the lower glazing bar, with the bolt channel facing down, using 2 screws (see drawing).

Fit the window stay over the two bolts and secure with two nuts.

GREENHOUSE ASSEMBLY

VENT ASSEMBLY



ROOF ASSEMBLY

PARTS NEEDED:

Part	Qty	Description
L06	1	Roof ridge
L02B	6	Roof glazing bar centre, plain side
L02C	1	Roof glazing bar centre, vent side
L02D	1	Roof glazing bar inner, vent side
L12A	2	Roof horizontal cross brace
L03B	1	General glazing bar
Z08	32	M4.2x16 screw
A03	1	Window stay bracket
M01/S03	4	M6 nuts & bolt
Y7	9	Roof glazing panel
Y9	1	Roof glazing panel for vent side
J45	2	Ridge end cap

GREENHOUSE ASSEMBLY

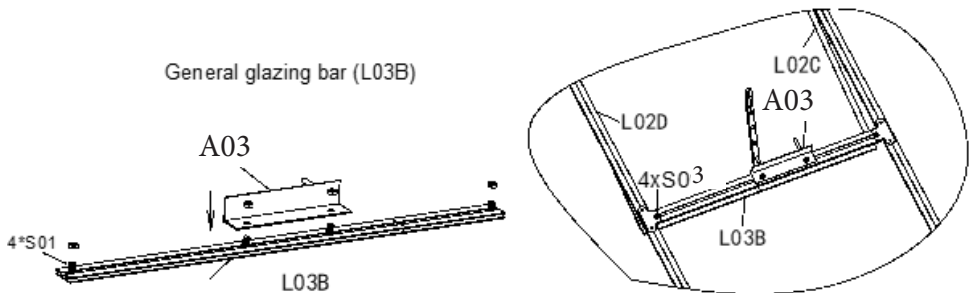
ROOF ASSEMBLY

GENERAL DESCRIPTION

The roof consists of a ridge (L06) that runs from the apex of the front wall to the apex of the rear, four glazing bars (L02B) that run down the left side from the ridge to the eaves, four glazing bars (L02Bx2/L02C/L02D) that run down the right (vent) side from the ridge to the eaves and two cross braces (L12A) that run front to back across the centre of each side.

This effectively divides the roof into ten sections. Nine of the sections are the same. The tenth (2nd bay right when viewed from the front) contains the vent. This section has a different glazing panel (Y9). The other nine have identical glazing panels (Y7)

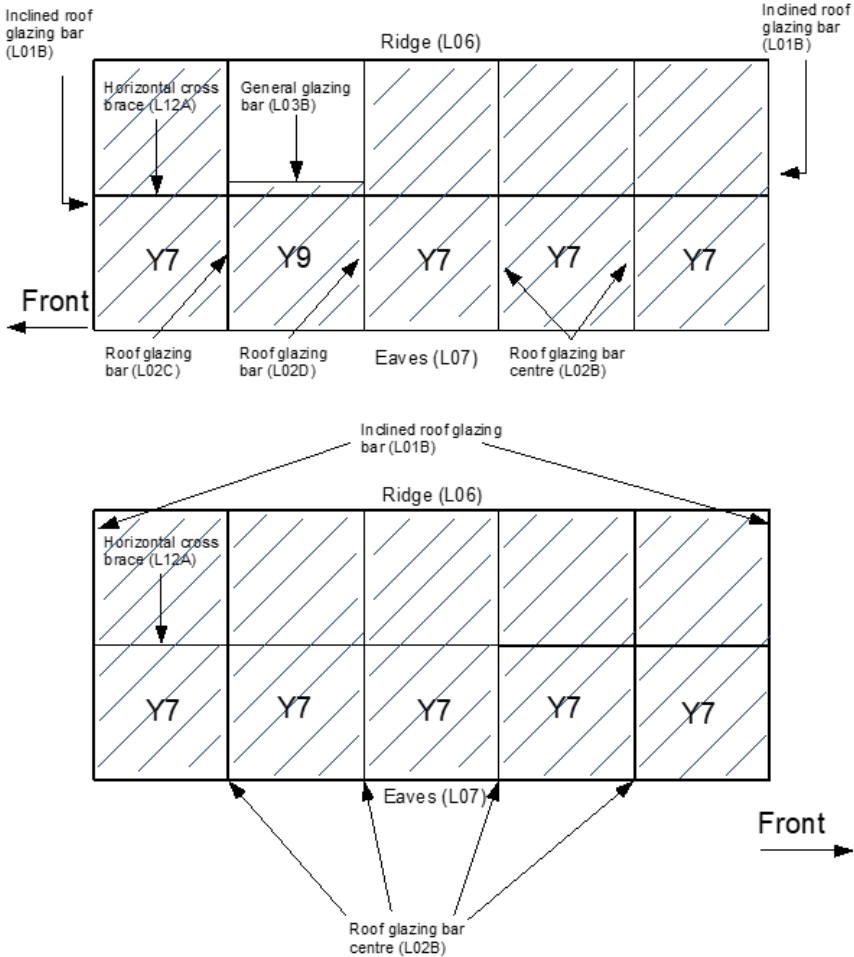
The glazing panel (Y9) is topped with a general glazing bar (L03B). This not only provides a seat for the end of the glazing panel but also holds the window stay bracket (A03). The glazing bar (L03B) is secured at either end to inner glazing bars (L02C/D) with the brackets already attached to the bars.



GREENHOUSE ASSEMBLY

ROOF ASSEMBLY

MAJOR ROOF COMPONENTS

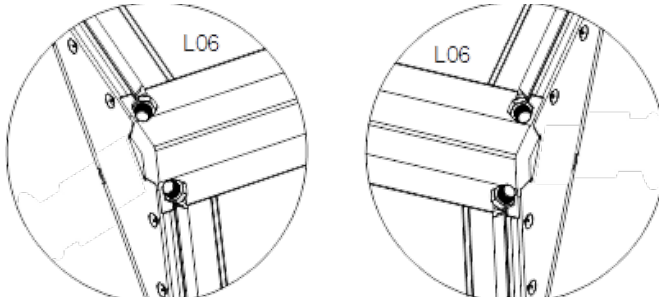


General schematic of major roof components

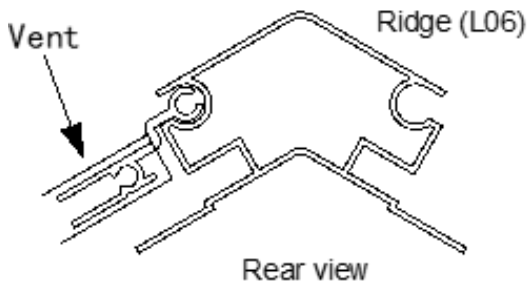
GREENHOUSE ASSEMBLY

ROOF ASSEMBLY

Attach the front end of the ridge to the roof glazing bars using the nuts & bolts installed earlier.



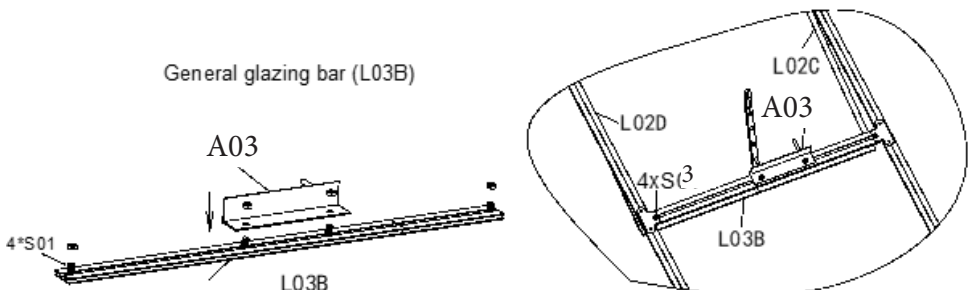
Slide the vent panel into the ridge from the rear on the right hand side (viewed from front).



Attach the rear end of the ridge to the roof glazing bars using the nuts & bolts installed earlier.

Attach the glazing bars (L02C/L02D) to the eaves and ridge on the right side using screws, this will support the vent. Attach the four glazing bars (L02B) to the eaves and ridge on the left side using screws. Attach two glazing bars (L02B) to the eaves and ridge on the right side using screws.

Slide four bolts (S03) into the general glazing bar (L03B). Use the inner two to attach the window stay A03. Use the outer two bolts to attach L03B to the brackets in L02C and L02D.



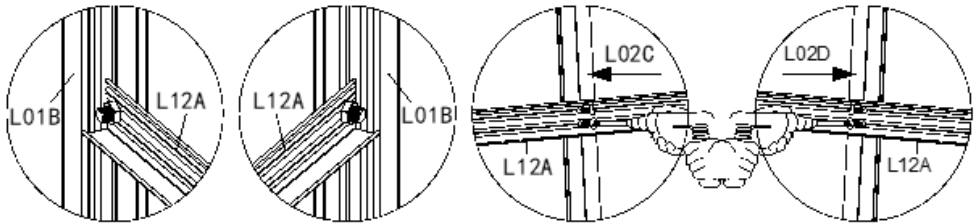
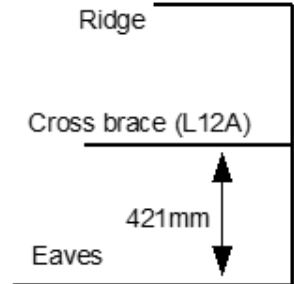
GREENHOUSE ASSEMBLY

ROOF ASSEMBLY

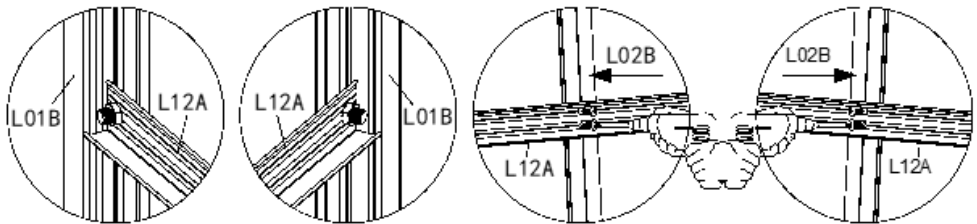
Attach the two horizontal cross braces (L12A) to the front and rear roof glazing bars (L01B) using the extra bolts installed earlier. The bottom of the brace should be 421mm from the end of the glazing bar.

Fix the horizontal cross braces to the central glazing bars (L02B/L02C/L02D) using two screws. Note there are two L02B bars on the right side as well.

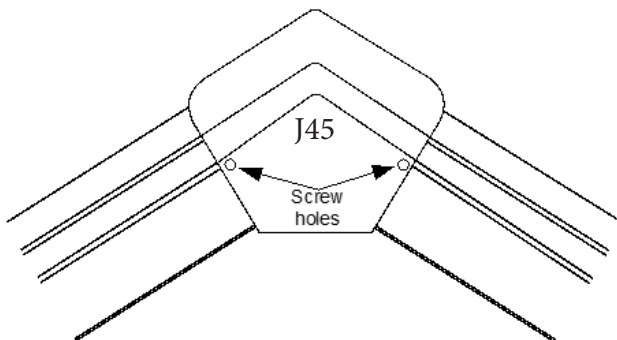
Complete the roof by installing the two Ridge end caps (J45) and securing with screws.



Inside view (right side)



Inside view (left side)



GREENHOUSE ASSEMBLY

DOOR ASSEMBLY

PARTS NEEDED:

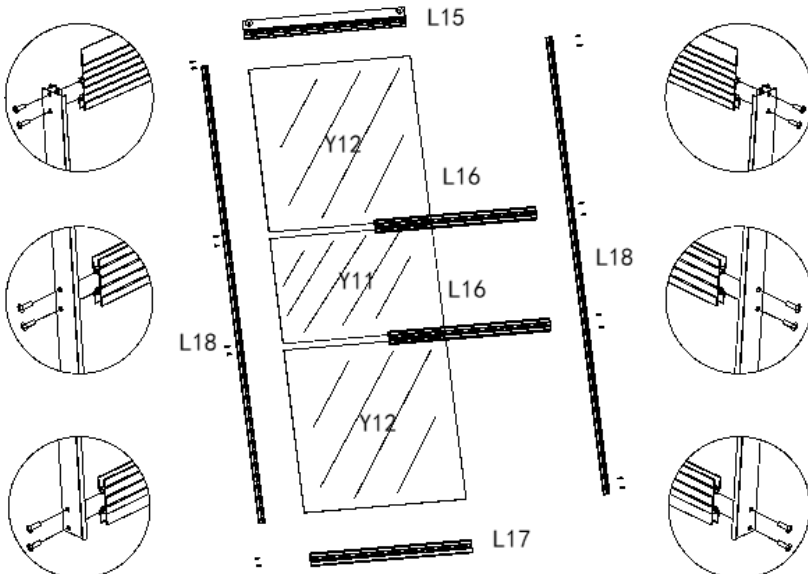
Part	Qty	Description
L15	1	Door glazing bar, upper
L16	2	Door glazing bar, centre
L17	1	Door glazing bar, lower
L18	2	Door glazing bar, left & right
Y11	1	Door glazing panel, centre
Y12	2	Door glazing panel, upper & lower
Z08	16	M4.2x16 self drilling screw

GENERAL DESCRIPTION

The door consists of two vertical glazing bars (L18), four horizontal glazing bars (L15/L16/L17) and 3 glazing panels. These are held together with sixteen screws.

ASSEMBLY

1. The up-stand on L18 and the nylon wheels on L15 should face outwards. The screw channels on L16 and L17 should be on the inside.
2. Attach the bottom horizontal glazing bar (L17) to one of the vertical glazing bars (L18) using two screws. Slide the glazing panels (Y12) into place. Repeat with L16/Y11 and L16/Y12. Attach L15. Attach the other vertical glazing bar (L18) using eight screws.

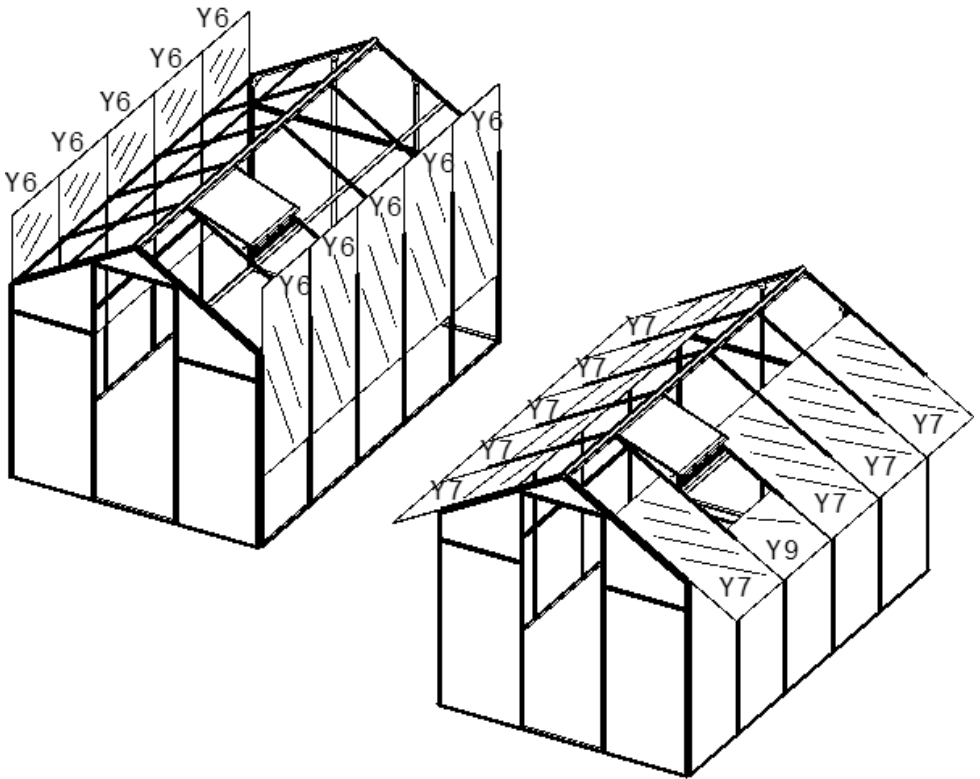


GREENHOUSE ASSEMBLY

GLAZING PANELS

After the roof has been installed it is time to insert the glazing panels. The side walls have ten identical glazing panels (Y6). The panels slot into place from the top. Assistance will be necessary to ensure each panel seats properly in the sill glazing channel.

Next install the roof glazing. There are nine identical panels (Y7) and a smaller panel (Y9). All the panels slide into the glazing channels, over the top of the Eaves, and up towards the Ridge. Again assistance will be needed to ensure each panel seats properly. The top of the Y9 panel seats in the glazing bar below the vent opening. The bottom of the panels rest on the eaves and are held in place by the gutters.



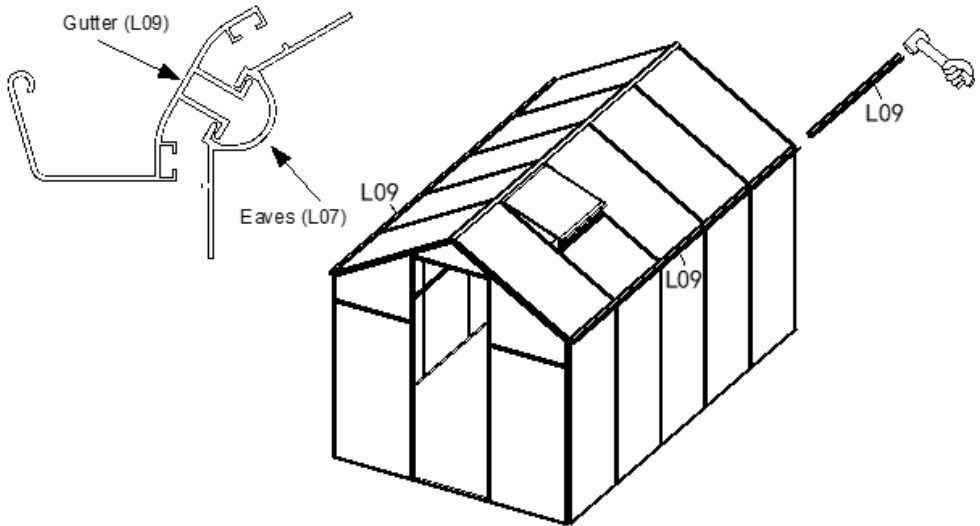
GREENHOUSE ASSEMBLY

GUTTERS

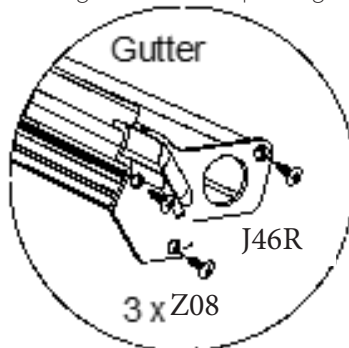
PARTS NEEDED:

Part	Qty	Description
L09	2	Gutter
J46L/R	4	Gutter end cap, 2 left and 2 right
Z08	12	M4.2x16 screw

After the glazing panels are in position, slide the gutter (L09) into position along the eaves (L07). The gutter locates in a groove in the eaves. If required use a soft faced mallet.



Once in position fix in place by securing the four end caps using screws.



GREENHOUSE ASSEMBLY

DOOR HANGING

PARTS NEEDED:

Part	Qty	Description
L14	1	Door support rail
L11	1	Central glazing bar (already assembled in the front wall)
N/A	1	Completed door assembly
M01/S03	3	M6 bolts (already located in L11) and nuts
Z08	4	M4.2 x 16 screw
J47	2	Door support rail end cap

GENERAL DESCRIPTION

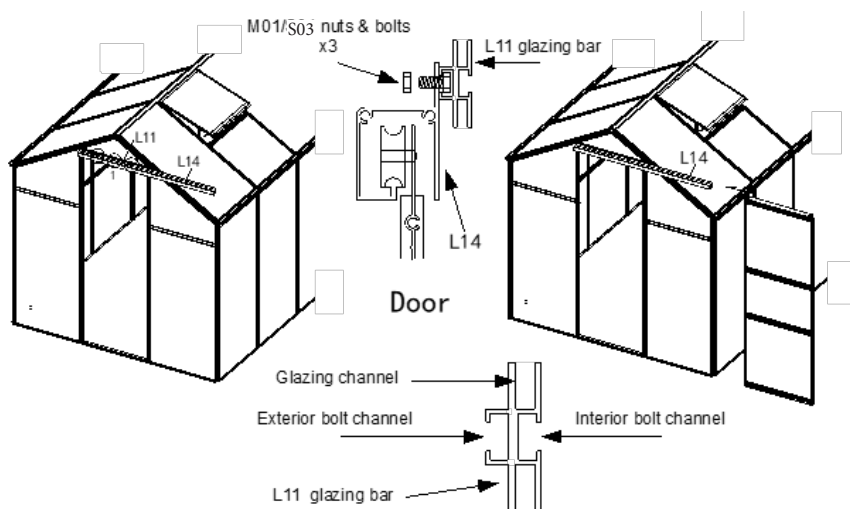
The sliding door moves on two nylon wheels running on a rail, bolted to the frame, above the door opening. Movement along the track is restricted by plastic caps fixed in the ends of the track. This ensures the door cannot be pulled off the end of the track. The bottom of the door locates in the Front Sill (L10).

ASSEMBLY

The door support rail (L14) has three holes drilled in it so it can be bolted to the central glazing bar (L11). The three bolts required have already been installed in L11. Separate the bolts so that they match the hole positions in L14. Place L14 in position over the bolts and secure in place using three nuts.

Slide the door onto the rail inside L14 keeping the bottom slightly away from the sill. Once in position lift the door slightly and drop into position in the sill. Check that the door moves freely.

Fix the end caps in place on the ends of L14 and secure with screws.



GREENHOUSE ASSEMBLY

BASE

A galvanised steel base is available for the greenhouse. These are recommended as they support the greenhouse and make it easier to keep it level and square. They are bolted together at the corners with brackets that also double as legs.

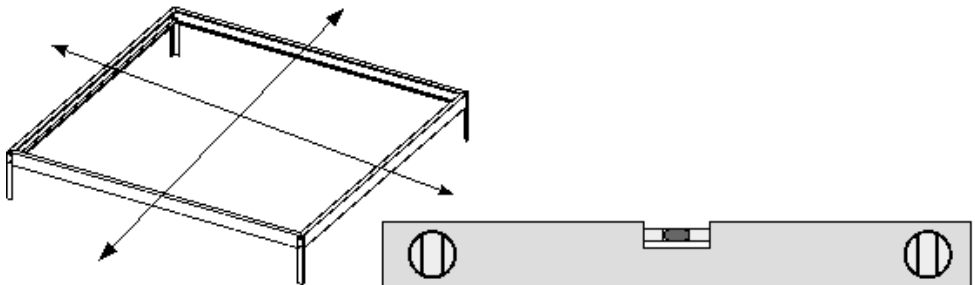
PARTS NEEDED:

Part	Qty	Description
C	4	Base corner leg/bracket
A1	2	Base Front/Rear Beam
B1	2	Base Left/Right Beam
S03	16	M4.2 x 16 screw
M01	16	M6 nut
Z08	36	M6 x 10 bolt

Lay out the two sides (A1) and two ends (B1) in a rectangle. Position a bracket at each corner along with four nuts and bolts.

It is easier to build the base upside down then turn it over. The side beams do not have a top or bottom so position each beam on its narrow edge with the flat face outwards. Each pair of beams needs to be bolted together at the corners using the brackets and four nuts & bolts.

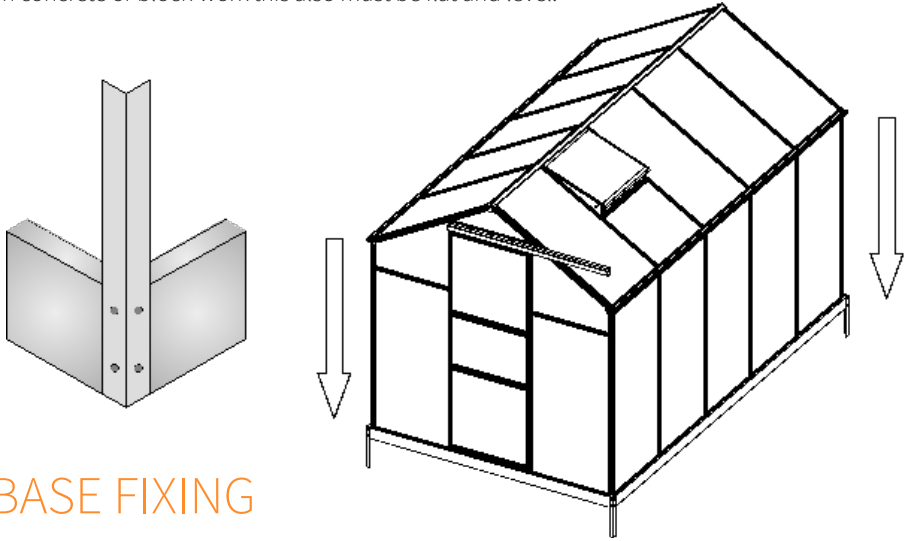
Turn it over and fix in place at the desired location. Make sure it is square and level. Carefully position the greenhouse on top.



GREENHOUSE ASSEMBLY

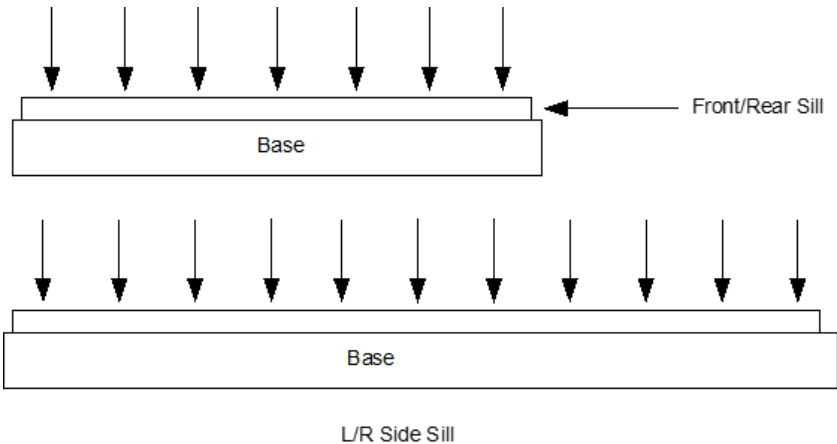
BASE

Make sure that the base is level front to back and side to side. If the greenhouse is to be installed on concrete or block-work this also must be flat and level.



BASE FIXING

Once the base has been fixed in place and the greenhouse positioned on top, it will need to be fixed down. This is accomplished using Z08 screws. These are used to drill down through the sills and into the base. The base is steel but the screws will still work with a bit more effort. The number and position of the screws is a matter of choice but a minimum of 7 for the front and rear is recommended. One in the centre, one at each end and four equally spaced in between.



For the left and right side beams a minimum of 11, equally spaced, is recommended.

USER GUIDE

CLEANING INSTRUCTIONS

1. Rinse glazing panels with lukewarm water.
2. Wash glazing panels with a mild soap and lukewarm water.
3. Use a soft cloth or sponge and gently wash with an up and down motion in the same direction as the flutes.
4. Rinse the cloth or sponge and change the water often. DO NOT SCRUB or use brushes or squeegees. The coating on glazing panels is delicate and easily damaged.
5. Repeat rinse.

TROUBLESHOOTING

RESOLUTION GUIDE

WHAT DO I DO IF THERE ARE MISSING PARTS FROM MY ORDER?

If there appears to be any part missing from your order, contact our friendly and helpful Customer Support Team within 7 days of receipt.

**FOR ALL OTHER ISSUES, PLEASE CONTACT OUR
CUSTOMER SUPPORT TEAM.**



ESPECIFICACIONES

DESCRIPCIÓN DEL PRODUCTO

El Invernadero de Monster viene en un paquete plano que contiene un invernadero de jardín de aluminio/policarbonato de fácil montaje. Mide 1,80 de ancho y 3,04 de alto.

ESPECIFICACIONES DEL PRODUCTO

Acristalamiento de policarbonato de 4mm.

Estructura de aluminio de 1mm – 1,3mm y base de acero (opcional) de

0,8mm Ancho – 1,80 m (6')

Altura - Vértice 1,80 m (6' 0") Puerta 1,60 m (5' 2") Lados 1,30 m (4' 2")

Longitud – 3,04 m (10' 0")

Peso - 51KG (con base)

Peso - 41,1KG (sin base)

REQUISITOS DE HERRAMIENTAS Y SEGURIDAD

1. Guantes
2. Escalera
3. Destornillador eléctrico con una punta Philips N°1
4. Llave de tuerca o de vaso de 10mm
5. Escuadra

Nota: Estas herramientas no están incluidas. Se necesitarán al menos dos personas para montar este invernadero.

La responsabilidad de Monster Group UK se limitará al valor comercial del producto.

ESPECIFICACIONES

CARACTERÍSTICAS DEL PRODUCTO

- A. Estructura de aluminio galvanizado
- B. Acristalamiento de policarbonato para las paredes gemelas
- C. Viga de cumbrera de perfiles de aluminio para más solidez y rigidez
- D. Sistema de acristalamiento sin grapas que sujeta de forma más segura el policarbonato
- E. Soportes horizontales en las paredes laterales y el techo para proporcionar una mayor rigidez estructural
- F. Abertura de ventilación en el techo
- G. Puerta corredera
- H. Base de acero galvanizado (opcional)
- I. Techo con vértice y canalón



ESPECIFICACIONES

CONTENIDO DEL ARTÍCULO

Cuando desempaque el invernadero, compruebe si todas las piezas están presentes. Cada pieza está claramente etiquetada. Si faltase alguna, póngase en contacto con nosotros antes de intentar montarlo.

Pieza	Cantidad	Descripción
J45	2	Tapas del extremo de la cumbre
J46L	2	Tapa del extremo del canalón (izquierda)
J46R	2	Tapa del extremo del canalón (derecha)
J47	2	Tapa del extremo del carril de la puerta
L10	1	Alféizar frontal
L11	1	Perfil central de acristalamiento de la pared horizontal
L12A	4	Cruceta horizontal
L13	1	Alféizar trasero
L14	1	Carril de soporte de la puerta
L15	1	Perfil de acristalamiento, superior de la puerta
L16	2	Perfil de acristalamiento, central de la puerta
L17	1	Perfil de acristalamiento, inferior de la puerta
L18	2	Perfil de acristalamiento, izquierda y derecha de la puerta
L19	2	Perfil de acristalamiento de la ventilación, izquierda y derecha
L20	1	Perfil de acristalamiento de la ventilación superior
L21	1	Perfil de acristalamiento de la ventilación inferior
LO1A	4	Montantes izquierdo y derecho de acristalamiento vertical de la pared exterior, frontal y trasera
LO1B	4	Perfil de acristalamiento inclinado del techo (2 frontales y 2 trasero)
LO2A	8	Perfil central de acristalamiento de la pared lateral
LO2B	6	Perfil central de acristalamiento del techo, lado plano
LO2C	1	Barra de techo de cristal interior, lado de ventilación
LO2D	1	Barra de techo de cristal interior, lado de ventilación
LO3B	6	Perfil de acristalamiento general
LO4A	2	Montante de acristalamiento vertical de la pared interna, frontal y trasero izquierdo
LO4B	2	Montante de acristalamiento derecho vertical de la pared interna, frontal y trasero derecho

ESPECIFICACIONES

CONTENIDO DEL ARTÍCULO

Pieza	Cantidad	Descripción
LO5A	1	Riel horizontal de la pared trasera
LO5B	2	Riel horizontal de la pared delantera, izquierdo y derecho
LO6	1	Cumbrera
LO7	2	Barra de cristal de la pared lateral
LO8A	2	Alféizar de la pared lateral
LO9	2	Canalón
MO1	46	Tuercas M6
S03	46	Perno M6
S28	2	Perno M4
M02	2	Tuerca M4
D47	6	Placa de apoyo del ángulo
A01	1	Perfil de la ventana
A03	1	Soporte del perfil de la ventana
Y1	2	Panel de acristalamiento superior de la pared frontal y trasera, derecho
Y10	1	Panel de acristalamiento de la ventilación
Y11	1	Panel central de acristalamiento de la puerta
Y12	2	Panel de acristalamiento superior e inferior de la puerta
Y2	5	Panel de acristalamiento inferior de la pared frontal y trasera
Y3	1	Panel de acristalamiento central superior de la pared trasera
Y4	2	Panel de acristalamiento superior izquierdo de la pared frontal y trasera
Y5	1	Panel de acristalamiento superior central de la pared frontal
Y6	10	Panel de acristalamiento de la pared lateral
Y7	9	Panel de acristalamiento del techo (grande)
Y8	0	No utilizado
Y9	1	Panel de acristalamiento del techo (pequeño)
Z08	168	Tornillo autorroscante
C	4	Soporte/patas de la esquina de la base
A1	2	Viga de la base delantera/trasera
B1	2	Viga de la base izquierda/derecha

CONSEJO DE SEGURIDAD

PRÁCTICA SEGURA DE MANEJO

Lea atentamente la Práctica Segura de Manejo para garantizar la prevención de lesiones y daños al invernadero.

Asegúrese de haber leído y comprendido el manual de instrucciones antes de montar este producto.

Se requieren al menos dos personas para montar este invernadero.

Asegúrese de que el invernadero se manipula y se monta conforme a estas instrucciones. No intente montar este invernadero en un día de viento.

Asegúrese de que este invernadero se monta y se construye sobre una superficie plana. Asegúrese de montar este producto de una forma segura.

Asegúrese de que este producto se construye en un lugar seguro. Este producto debe ser anclado al suelo.

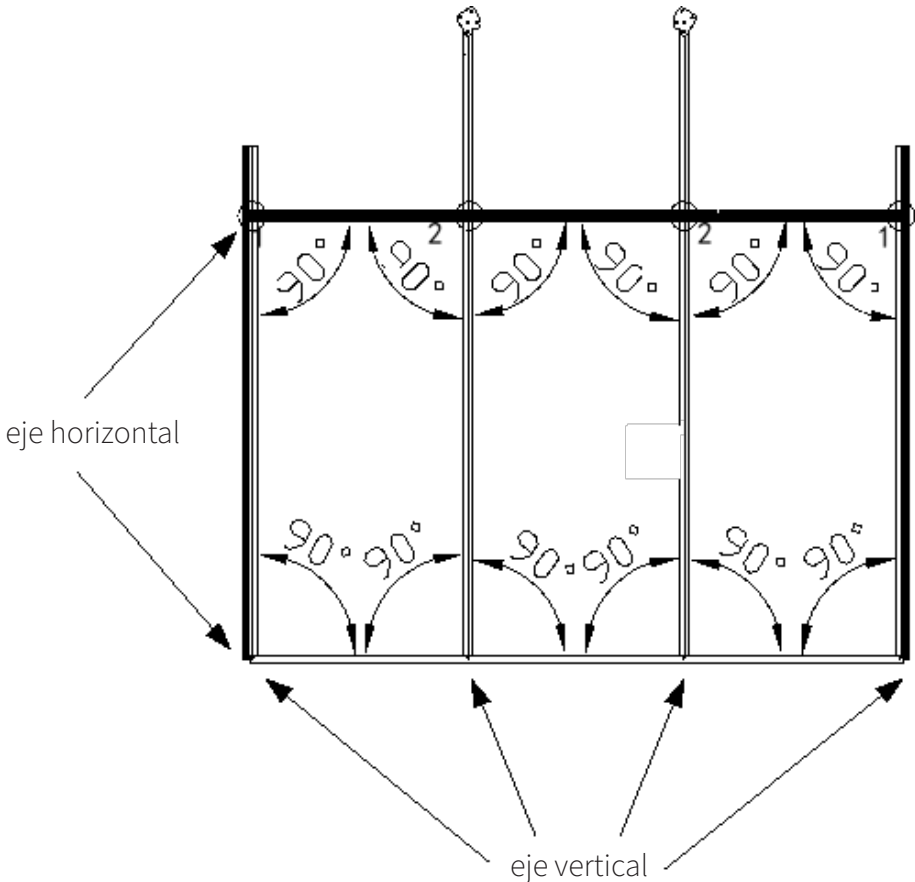
No use este producto para ninguna otra cosa que para el propósito para el que se ha diseñado. Asegúrese de que los materiales utilizados con este producto sean de buena calidad.

GUÍA DEL USUARIO

PAUTAS GENERALES DE MONTAJE

El invernadero consiste en varias secciones diferentes. El método principal de montaje es el mismo para todas las secciones. Disponga los componentes en el suelo en la forma en que se van a montar. Estudie los esquemas y asegúrese de que entiende cómo se va a montar cada parte.

Con la excepción del techo, todos los ángulos son ángulos rectos (90 grados). La base del invernadero debe estar plana y horizontal. Todos los montantes deberán estar verticales. Esto es crucial para garantizar que los paneles de acristalamiento encajen correctamente.

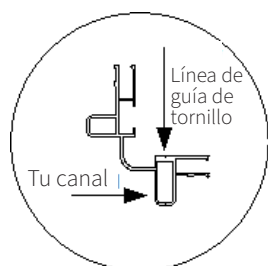


GUÍA DEL USUARIO

TORNILLOS AUTOPERFORANTES Y AUTORROSCANTES

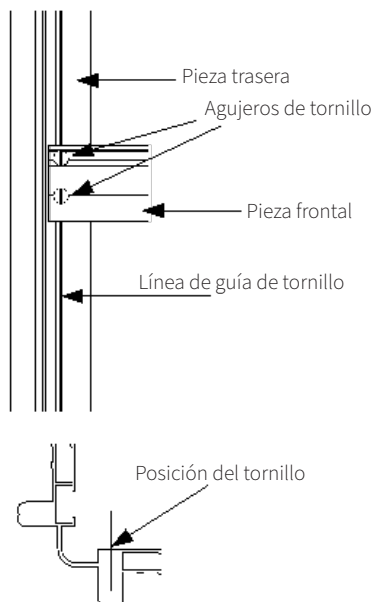
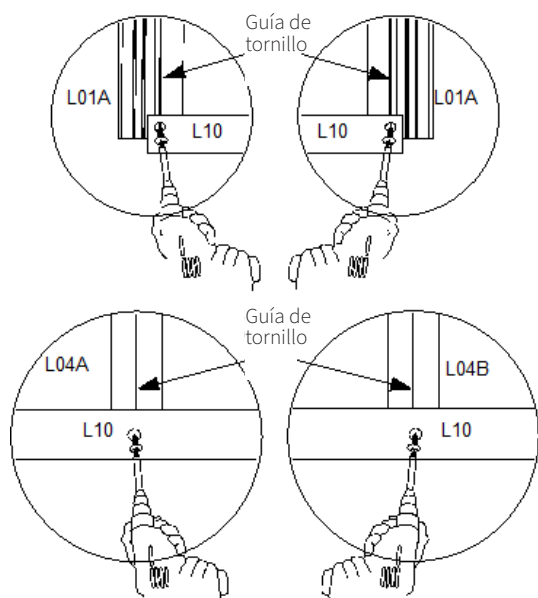
En la estructura no hay orificios para los tornillos. Por esta razón, se usan tornillos autoperforantes. Estos tornillos perforarán fácilmente la estructura de aluminio. Se recomienda usar un destornillador eléctrico de velocidad variable.

En el componente de aluminio se cortará una línea guía donde van a usarse los tornillos. En el reverso del componente hay un canal en forma de U alargada para introducir los tornillos (ver diagrama). Esto es así para casi todos los tornillos de fijación. En los lugares donde este no es el caso, en las instrucciones se especificará cómo proceder.



Cada parte a ser fijada tendrá uno o dos orificios pre-perforados. Una vez se haya colocado esta pieza, la guía del tornillo será visible a través del/los orificio/s. Usando un destornillador eléctrico, atornille los tornillos en la pieza trasera usando el/los orificio/s como guía para asegurar que estén en la posición correcta.

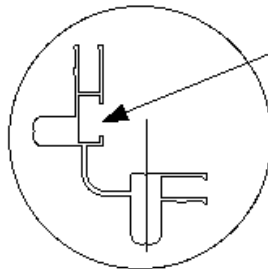
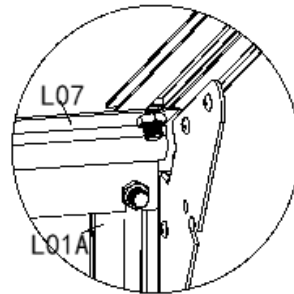
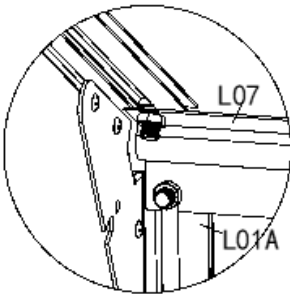
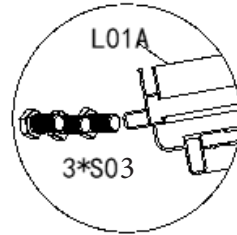
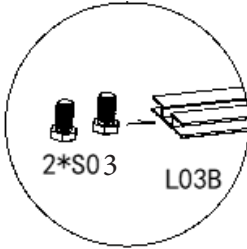
Ejemplos de uso de tornillos autoperforantes



GUÍA DEL USUARIO

TUERCAS Y PERNOS

Muchos de los componentes se fijan con tuercas y pernos.



Canal de perno

Ejemplos de uso del canal de perno

Cuando fije los componentes con las tuercas (M01) y pernos (S03) el perno se insertará en el canal. El componente a ser fijado se colocará sobre el perno que sobresale. Después se enroscará la tuerca en el perno y se apretará, sujetando el componente en su posición. En algunos casos será necesario insertar algún perno extra en el canal para usarlo más tarde. Esto es importante, ya que se usarán para fijar los componentes en la estructura. Para evitar que estos pernos extra se muevan, se puede enroscar una tuerca con los dedos. Donde este no sea el caso, se ofrecerán instrucciones sobre cómo proceder.

GUÍA DEL USUARIO

PANELES DE ACRISTALAMIENTO

Los paneles están etiquetados y cubiertos de una película protectora: blanca en un lado y transparente en el otro.

Los paneles están tratados en una cara para protegerlos de daños por la luz solar (no debe confundirse con la película protectora). Este lado tratado debe colocarse hacia el exterior para proteger los paneles de acristalamiento.

Cuando coloque el panel, pele la película protectora de ambas caras. Los paneles deben montarse con la cara blanca hacia fuera. Pueden usarse como separadores para la estructura, p.e. montantes verticales de las paredes frontal y trasera. Los canales de acristalamiento tienen una profundidad de 10mm y los paneles deben encajarse a lo largo de la parte inferior de este canal.

MONTAJE DEL INVERNADERO

PARED FRONTAL

PARTES NECESARIAS:

Pieza	Cant	Descripción
L01A	2	Montantes izquierdo y derecho de acristalamiento vertical de la pared exterior, frontal y trasera
L01B	2	Perfil de acristalamiento inclinado del techo (2 frontales y 1 trasera)
L03B	2	Perfil de acristalamiento general
L04A	1	Montante de acristalamiento vertical de la pared interna, frontal y trasero
L04B	1	Montante de acristalamiento vertical de la pared interna, frontal y trasero derecho
L05B	2	Riel horizontal de la pared delantera, izquierdo y derecho
L11	1	Perfil central de acristalamiento de la pared horizontal
L10	1	Repisa frontal
Y1	1	Panel de acristalamiento superior de la pared frontal y trasera, derecho
Y2	2	Panel de acristalamiento inferior de la pared frontal y trasera
Y5	1	Panel de acristalamiento superior de la pared frontal, centro
Y4	1	Panel de acristalamiento superior de la pared frontal y trasera, izquierda
D47	3	Placa de apoyo del ángulo
Z08	24	Tornillo autorroscante
S03	9	Perno M6
M01	9	Tuerca M6

DESCRIPCIÓN GENERAL

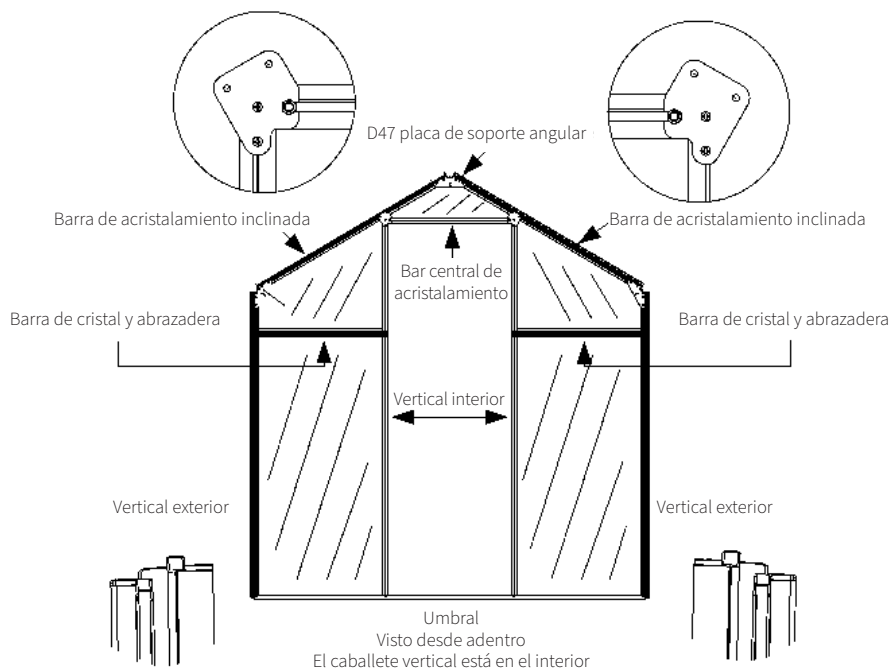
La pared frontal consiste en una repisa (L10), 2 montantes (L01A), 2 montantes interiores (L04A&B), 2 perfiles de acristalamiento (L03B), 2 rieles (L05B), 2 perfiles de acristalamiento inclinados para el techo (L01B) y un perfil central de acristalamiento(L11).

Comienza disponiendo todos los elementos en el suelo. Asegúrese de comprender su posición y orientación.

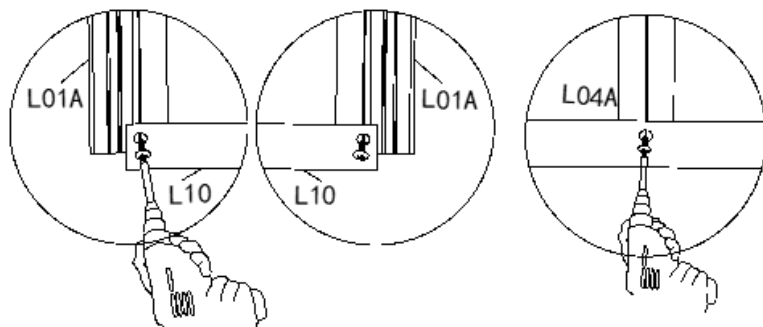
Las paredes frontal y trasera son suficientemente pequeñas y ligeras para montarse en interiores (un garaje, por ejemplo) y llevadas al lugar de construcción.

MONTAJE DEL INVERNADERO

PARED FRONTAL



1. Sujete un riel exterior (L01A) al alféizar con un tornillo, a cualquiera de los lados. El montante de la repisa estará a un lado. Asegúrese de que los montantes estén en la posición correcta.

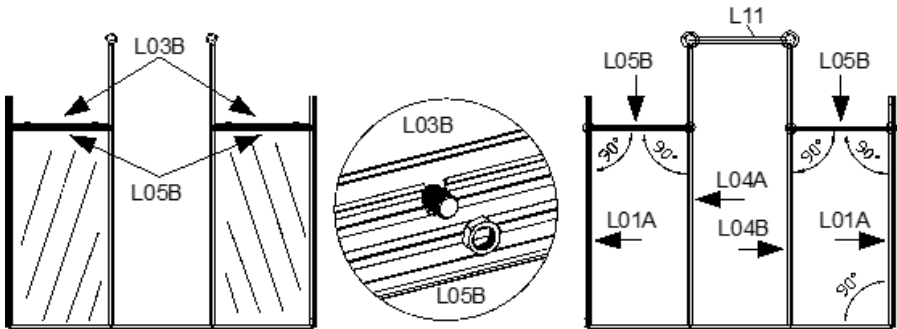


2. Inserte un panel inferior (Y2) y úselo como separado para colocar el montante interior (L04A) de ese lado.
3. Sujete el montante interior con un tornillo. Asegúrese de que la ranura del soporte superior mire hacia abajo.
4. Repita la operación para el otro lado.

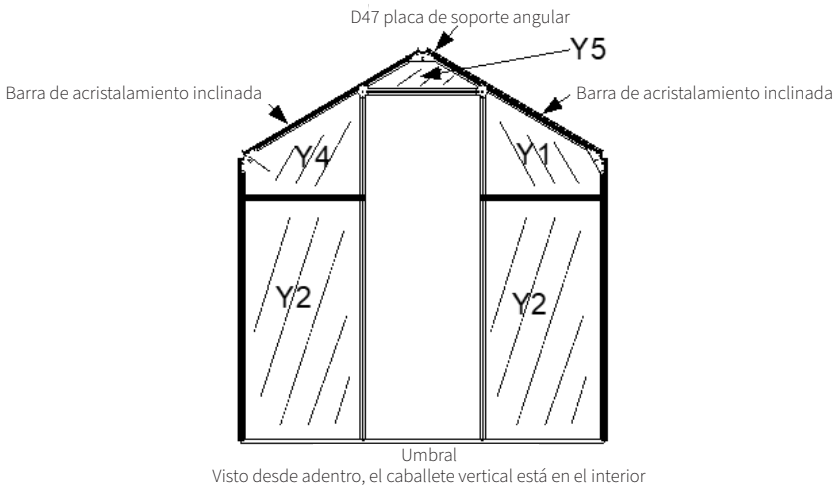
MONTAJE DEL INVERNADERO

PARED FRONTAL

5. Inserte 2xM6 pernos en cada uno de los 2 perfiles (L03B). Coloque un perfil sobre cada uno de los 2 paneles inferiores.
6. Coloque un riel horizontal (L05B) en uno de los perfiles y coloque los pernos, levántelo para que encaje. Ponga una tuerca en cada perno y apriétela manualmente.
7. Repítalo con el otro panel.



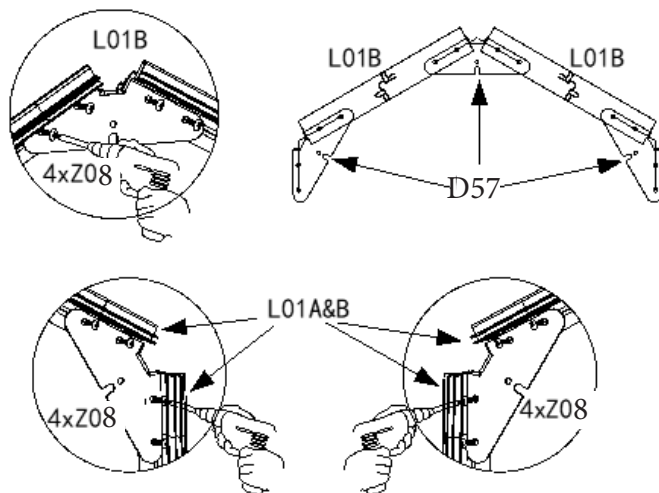
8. Sujete un riel con un tornillo en cada extremo pero no los apriete del todo.
9. Compruebe que el panel de la pared está a escuadra. Apriete los tornillos y las 4 tuercas.
10. Inserte y apriete un segundo tornillo en cada extremo de ambos rieles.
11. Inserte tres pernos en el canal exterior del perfil central de acristalamiento (L11) para su uso posterior. Inserte dos pernos en el canal interior y úselos para fijar el perfil entre los dos rieles sobre los perfiles interiores.
12. Encaje los tres paneles en las ranuras (Y1, Y4 y Y5).



MONTAJE DEL INVERNADERO

PARED FRONTAL

13. Coloque los 2 perfiles inclinados del techo (L01B) sobre los paneles superiores de acristalamiento. Sujételos con las 3 placas de apoyo del ángulo (D47) usando 12 tornillos.



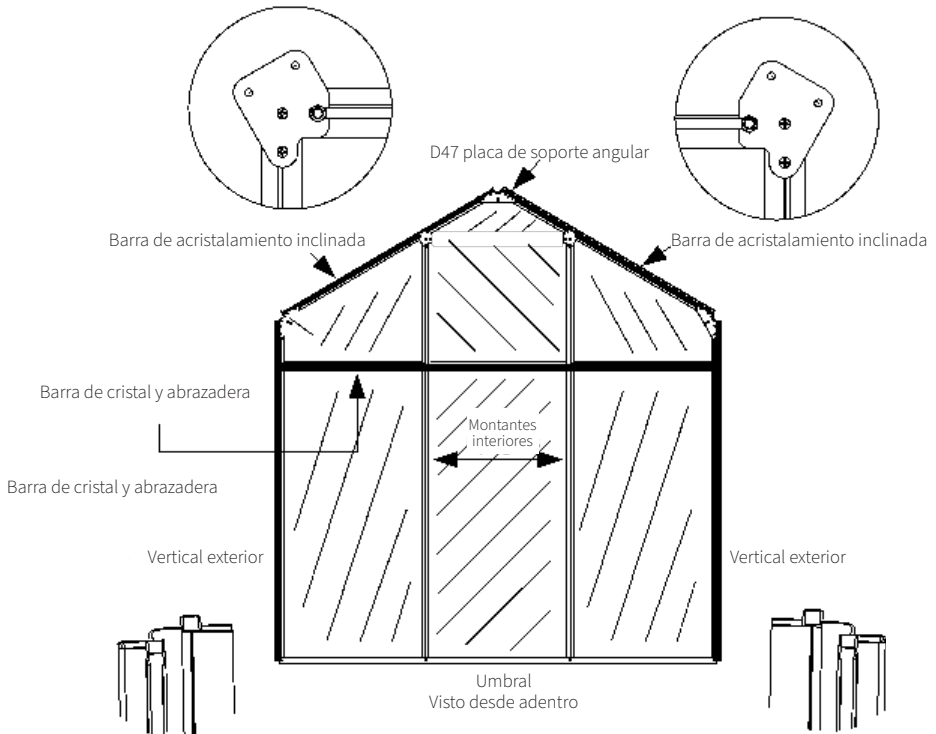
PARED TRASERA

PIEZAS NECESARIAS:

Pieza	Can	Descripción
L01A	2	Montantes izquierdo y derecho de acristalamiento
L01B	2	Barra de cristal de techo inclinada a izquierda y derecha
L03B	3	Perfil de acristalamiento general
L04A	1	Montante izquierdo de acristalamiento vertical de la pared interna
L04B	1	Montante derecho de acristalamiento vertical de la pared interna
L05A	1	Riel horizontal de la pared trasera
L13	1	Repisa trasera
Y1	1	Panel de acristalamiento superior derecho de la pared trasera
Y2	3	Panel de acristalamiento inferior de la pared trasera
Y3	1	Panel de acristalamiento central superior de la pared trasera
Y4	1	Panel de acristalamiento superior izquierdo de la pared trasera
D47	3	Placa de apoyo del ángulo
Z08	24	Tornillo
S03	6	Perno M6
M01	6	Tuerca M6

MONTAJE DEL INVERNADERO

PARED TRASERA



DESCRIPCIÓN GENERAL

Como la pared frontal, la trasera consiste de una repisa, 2 perfiles exteriores, 2 interiores, 2 perfiles inclinados para el techo y 3 perfiles generales. En esta ocasión sólo hay un riel que recorre todo el ancho de la pared.

Disponga todos los componentes en el suelo. Asegúrese de tener todos los componentes y comprende su posición y orientación.

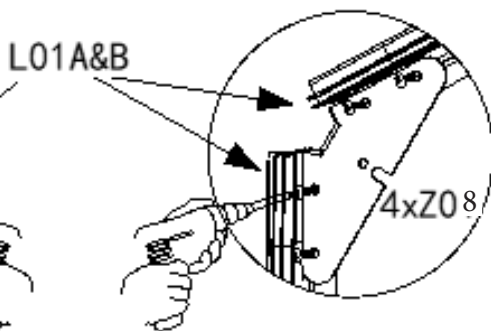
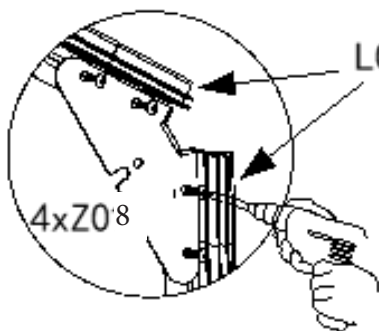
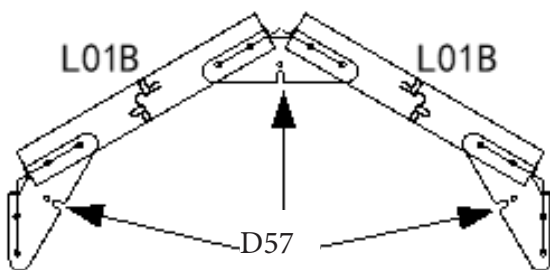
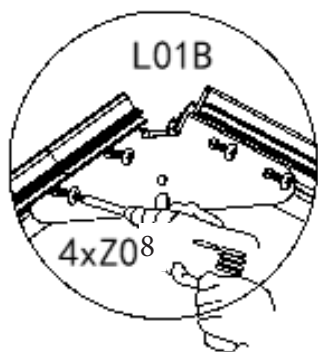
MONTAJE

1. Comience sujetando un perfil exterior a la repisa con un tornillo, a cualquiera de los lados. Asegúrese de que el perfil está colocado hacia el lado correcto.
2. Inserte un panel inferior como separador para colocar el perfil interior de ese lado.
3. Fije el perfil interior con un tornillo.
4. Repita al otro lado.
5. Inserte el panel central.
6. Inserte 2x pernos M6 en cada uno de los perfiles (L03B). Coloque un perfil sobre cada uno de los 3 paneles inferiores.
7. Inserte los 3 paneles superiores.

MONTAJE DEL INVERNADERO

PARED TRASERA

- Coloque el riel horizontal (L05A) y, después de ajustar la posición de los pernos, levántelo hasta que se coloque en su lugar. Ponga una tuerca en cada perno y apriétela manualmente.
- Sujete el riel con un tornillo en cada extremo pero no los apriete del todo.
- Compruebe que el panel de la pared está a escuadra.
- Apriete el tornillo exterior y las 6 tuercas.
- Sujete el riel a los montantes interiores con un tornillo en cada uno.
- Compruebe una vez más que todo está a escuadra y sujete el riel a los 4 montantes con 4 tornillos más.
- Coloque los 2 perfiles del techo (L01B) sobre los paneles superiores. Sujételos en su lugar con 3 placas de apoyo del ángulo (D47).



MONTAJE DEL INVERNADERO

PARED LATERAL – IZQUIERDA Y DERECHA

PIEZAS NECESARIAS:

Pieza	Can	Descripción
L02A	8	Barras de vidrio vertical de pared lateral
L08A	2	Repisa de la pared lateral
L07	2	Aleros de la pared lateral
L12A	2	Cruceta horizontal de la pared lateral
M01	24	Tuercas M6
S03	24	Pernos M6
Z08	32	2x16 tornillos M4
Y6	10	Panel de acristalamiento de la pared lateral

DESCRIPCIÓN GENERAL

Cada uno de ellos consta de un alféizar (L08A) en la parte inferior, aleros (L07) en la parte superior, cuatro barras de cristal vertical interior (L02A) y una cruceta (L12A). No tienen montantes exteriores ya que están formados por los montantes exteriores de las paredes delantera y trasera. También tienen cinco paneles de cristal cada uno (Y6).

Las 3 partes horizontales de las paredes laterales (repisa, riel y aleros) conectan la pared frontal con la trasera. Se fijan en su lugar con pernos y tuercas. Se necesitan 3 para cada esquina: 12 en total.

También hay que fijar los aleros al perfil en este momento. Es buena idea instalar todos los pernos y tuercas necesarios para el techo antes de hacer esto. Se necesitarán tres para cada barra de cristal, así que son doce en total.

Preparación de la pared frontal/trasera

Comience instalando los pernos en el canal de cada montante exterior (L01A) de las paredes frontal y trasera. Es buena idea colocar una tuerca en cada perno antes de la instalación. Se necesitará un perno en la parte superior, uno en la inferior y uno en el medio, así que coloque cada perno en su lugar y enrosque las tuercas manualmente para que no se caigan.

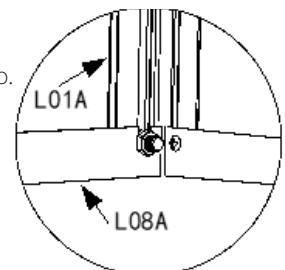
A continuación, instale tres pernos en cada barra de cristal del techo (L01B). Se necesitará un perno en la parte superior, uno en la parte inferior y uno en el medio, así que deslice los pernos aproximadamente en posición y apriete las tuercas con los dedos para evitar que se deslicen hacia afuera.

Montaje de la Pared Lateral

Para empezar la construcción de las paredes laterales, la trasera y la delantera deben estar erguidas y a la distancia y con orientación adecuadas. Coloque los componentes de cada pared lateral a cada lado. Ambos lados son iguales, por lo que no importa por cuál empiece.

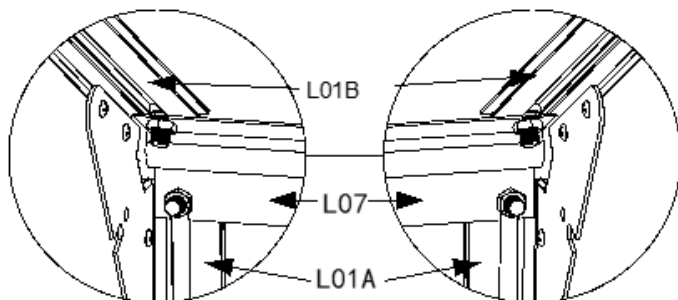
Sujete la repisa (L08A) a los perfiles frontal y trasero (L01A) usando el perno y la tuerca ya instalados.

Acople los aleros (L07) a los perfiles frontal y trasero (L01A) usando el perno y la tuerca ya instalados. Sujete ambos perfiles inclinados del techo (L01B) al alero usando el perno y la tuerca ya instalados en los perfiles del techo.

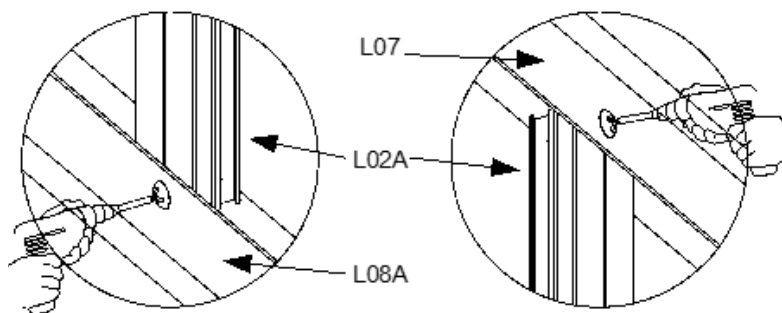


MONTAJE DEL INVERNADERO

PARED LATERAL – IZQUIERDA Y DERECHA

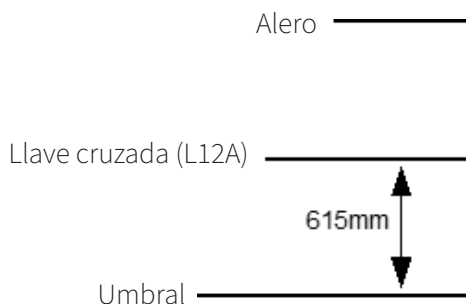


Sujete el perfil (L02A) al alféizar y los aleros usando un solo tornillo a cada extremo.



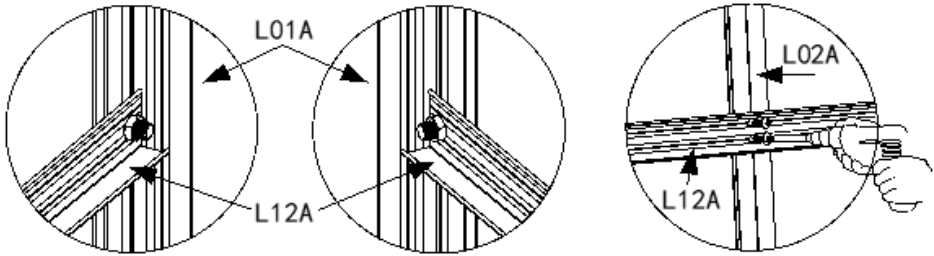
Asegúrese de que todos los ángulos interiores están a 90°

Sujete la cruzeta horizontal (L12A) a los montantes verticales (L01A), usando los pernos ya instalados, a una altura de 615mm de la parte inferior del montante a la parte inferior del riel. Sujete la cruzeta al perfil central (L02A) con 2 tornillos.



MONTAJE DEL INVERNADERO

PARED LATERAL – IZQUIERDA Y DERECHA



Repita para el otro lado.

VENTANA DE VENTILACIÓN

La ventana de ventilación consiste en 4 perfiles, un panel y un perfil de la ventana (A01). Los perfiles se sujetan entre sí con 4 tornillos. La bisagra de la ventana está en la parte superior (de la cumbre del techo (L06)) con el perfil de la ventana en la parte inferior. El perfil de la ventana se sujeta con 2 pernos y tuercas M4.

PIEZAS NECESARIAS:

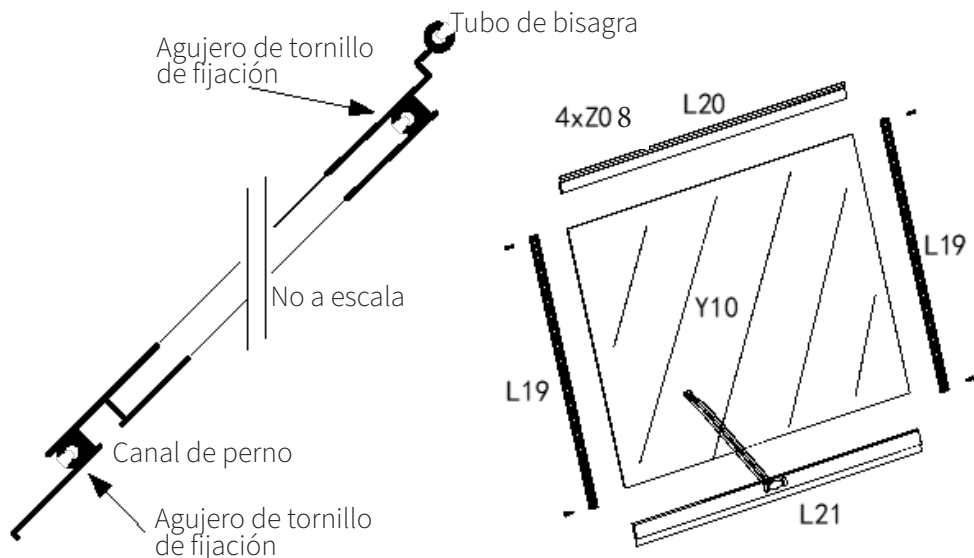
Pieza	Can	Descripción
L19	2	Perfil de acristalamiento de la ventilación, izquierda y derecha
L20	1	Perfil de acristalamiento de la ventilación superior
L21	1	Perfil de acristalamiento de la ventilación inferior
A01	1	Perfil de la ventana
Y10	1	Panel de acristalamiento de la ventilación
Z08	4	2x16 tornillos M4
S28	2	Tuercas M4x10
M02	2	Tuercas M4

Inserte el panel (Y10) en el perfil superior (L20). El tubo de la bisagra debería estar en la parte superior (ver dibujo).

Sujete dos perfiles (L19), con el lado de la cumbre en la parte superior, usando tornillos. Inserte 2 pernos (S28) en el canal de los pernos en el perfil inferior (L21). Sujete el perfil inferior con el canal de los pernos hacia abajo, usando 2 tornillos (ver dibujo). Fije el perfil de la ventana sobre los 2 pernos y sujételo con 2 tuercas.

MONTAJE DEL INVERNADERO

MONTAJE DE LA VENTILACIÓN



MONTAJE DEL TECHO

PIEZAS NECESARIAS:

Piezas	Can	Descripción
L06	1	Cumbrera
L02B	6	Perfil central de acristalamiento del techo, lado plano
L02C	1	Barra de techo de cristal interior, lado de ventilación
L02D	1	Barra de techo de cristal interior, lado de ventilación
L12A	2	Cruceta horizontal del techo
L03B	1	Perfil de acristalamiento general
Z08	32	2x16 tornillos M4
A03	1	Soporte del perfil de la ventana
M01/S03	4	Pernos y tuercas M6
Y7	9	Panel de acristalamiento del techo
Y9	1	Panel de acristalamiento del techo para el lado de la ventilación
J45	2	Tapas del extremo de la cumbrera

MONTAJE DEL INVERNADERO

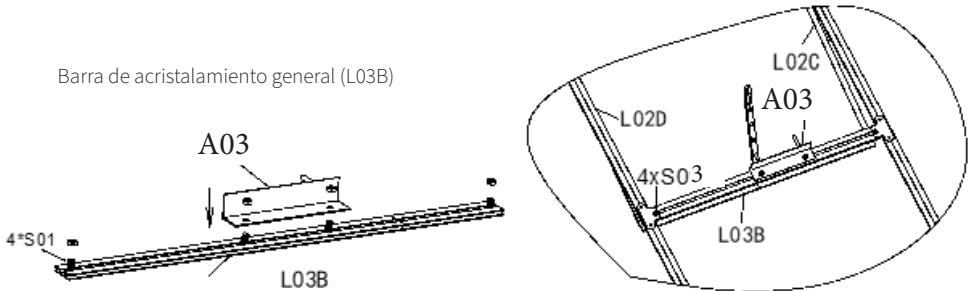
MONTAJE DEL TECHO

DESCRIPCIÓN GENERAL

El techo consiste en una cumbrera (L06) que va desde el vértice de la pared frontal hasta el vértice de la parte posterior, cuatro barras de vidrio (L02B) que bajan por el lado izquierdo desde la cumbrera hasta el alero, cuatro barras de vidrio (L02Bx2/L02C/L02D) que bajan por el lado derecho (ventilación) desde la cumbrera hasta el alero y dos refuerzos transversales (L12A) que van de delante a atrás a través del centro de cada lado.

Esto divide efectivamente el techo en diez secciones. Nueve de las secciones son iguales. La décima (la segunda sección a la derecha cuando se ve desde el frente) contiene la ventilación. Esta sección tiene un panel de cristal diferente (Y9). Los otros nueve tienen paneles de cristal idénticos (Y7).

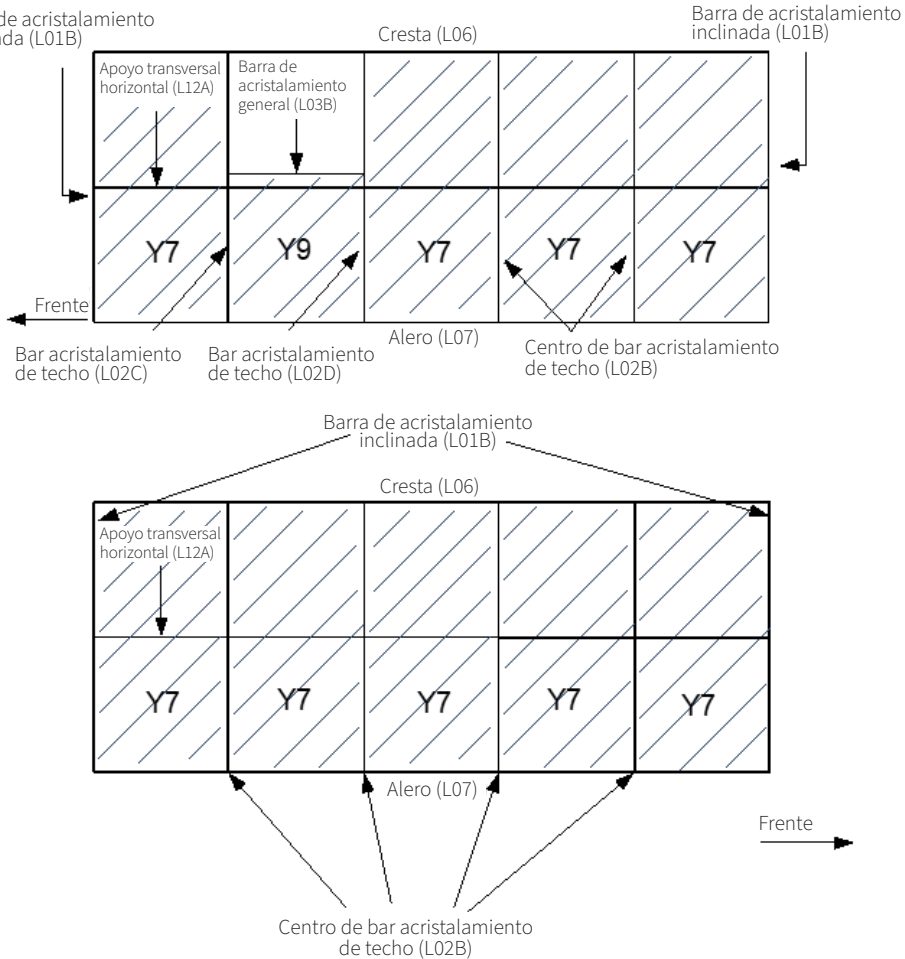
El panel de acristalamiento (Y9) está rematado por una barra de acristalamiento general (L03B). Ésta no sólo sirve de asiento para el extremo del panel de acristalamiento, sino que también sujeta el soporte del tirante de la ventana (A03). La barra de acristalamiento (L03B) se fija en ambos extremos a las barras de acristalamiento interior (L02C/D) con los soportes ya fijados a las barras.



MONTAJE DEL INVERNADERO

MONTAJE DEL TECHO

PRINCIPALES COMPONENTES DEL TECHO (Esquema general de los principales componentes del techo).

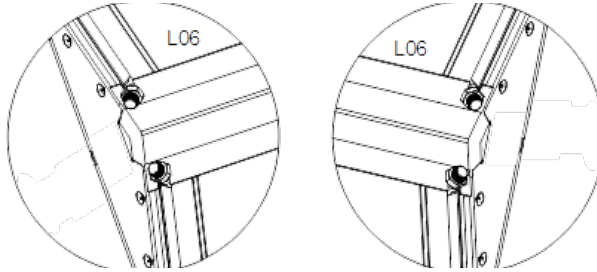


Esquema general de los principales componentes del techo.

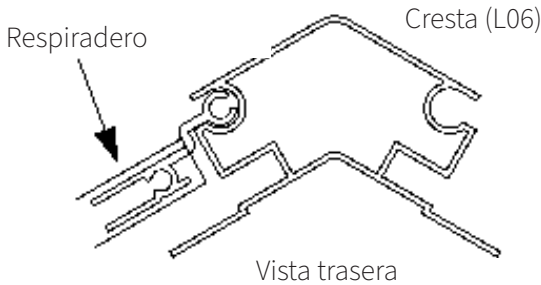
MONTAJE DEL INVERNADERO

MONTAJE DEL TECHO

Acople el extremo frontal de la cumbrera a los perfiles del techo usando los pernos y tuercas instalados anteriormente.



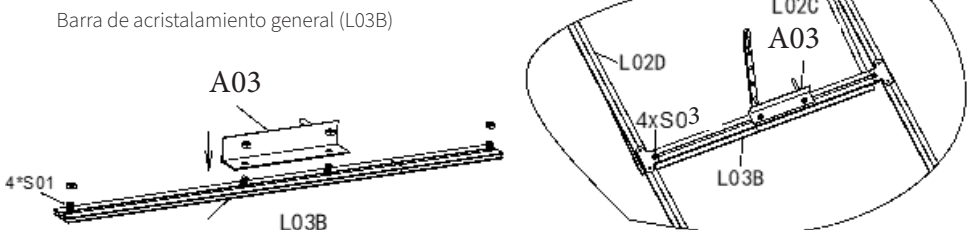
Deslice el panel de la ventana en el reborde en el lateral derecho (visto desde la parte frontal).



Acople el extremo trasero del reborde al perfil del techo usando los pernos y tuercas instalados anteriormente.

Fije las barras de cristal (L02C/L02D) al alero y a la cumbrera del lado derecho con tornillos, esto soportará el respiradero. Fije las cuatro barras de cristal (L02B) al alero y a la cumbrera del lado izquierdo con tornillos. Fijar dos barras de cristal (L02B) en el alero y la cumbrera del lado derecho con tornillos.

Introduzca cuatro pernos (S03) en la barra de cristal general (L03B). Utilice los dos interiores para fijar el herraje de ventana A03. Utilice los dos pernos exteriores para fijar el L03B a los soportes en L02C y L02D.



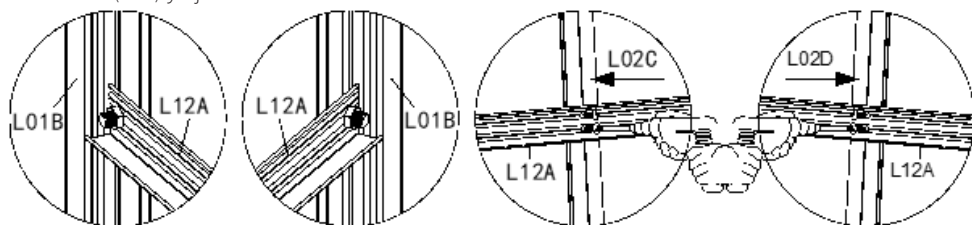
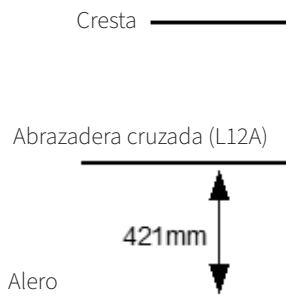
MONTAJE DEL INVERNADERO

MONTAJE DEL TECHO

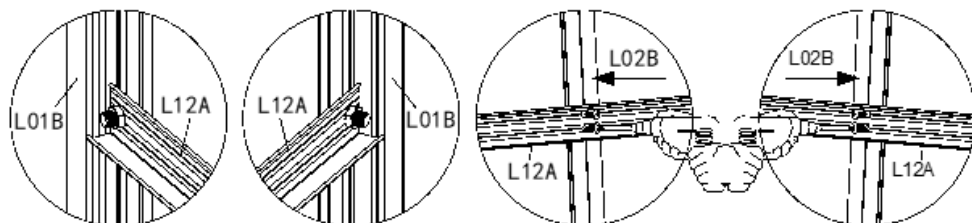
Acople las dos crucetas (L12A) a los perfiles frontal y trasero (L01B) usando los pernos extra colocados anteriormente. La parte inferior de las crucetas debería estar a 421mm del extremo del perfil.

Fije las crucetas horizontales a los perfiles centrales (L02B/ L02C/L02D) usando dos tornillos. Observe que también hay dos barras L02B en el lado derecho.

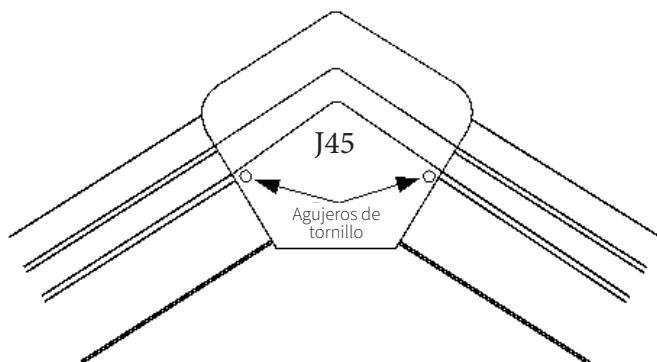
Complete el techo instalando las dos tapas del extremo de la cumbre (J45) y fijándolas con tornillos.



VISTA INTERIOR (LADO DERECHO)



VISTA INTERIOR (LADO IZQUIERDO)



MONTAJE DEL INVERNADERO

MONTAJE DE LA PUERTA

PIEZAS NECESARIAS

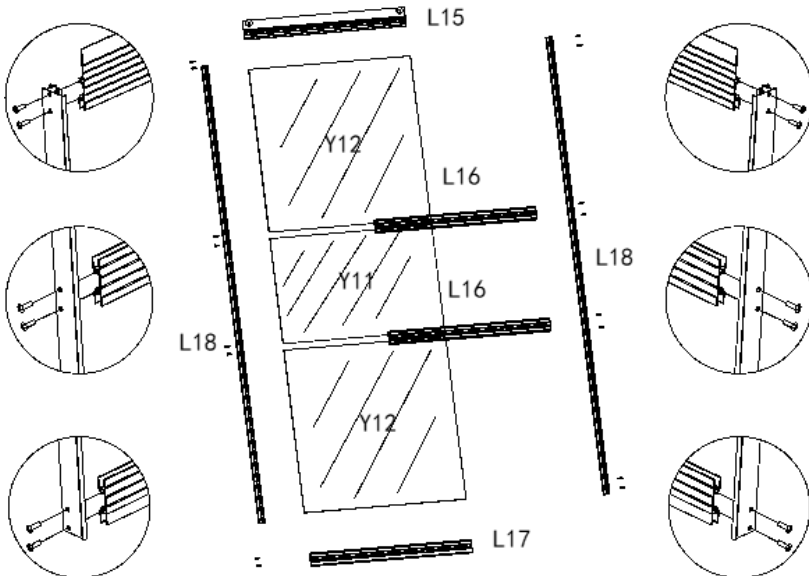
Pieza	Can	Descripción
L15	1	Perfil de acristalamiento, superior de la puerta
L16	2	Perfil de acristalamiento, central de la puerta
L17	1	Perfil de acristalamiento, inferior de la puerta
L18	2	Perfil de acristalamiento, izquierda y derecha de la puerta
Y11	1	Panel central de acristalamiento de la puerta
Y12	2	Panel de acristalamiento superior e inferior de la puerta
Z08	16	2x16 tornillo autoperforante M4

DESCRIPCIÓN GENERAL

La puerta consiste en 2 perfiles verticales (L18), 4 horizontales (L15/L16/L17) y 3 paneles. Se sujetan con dieciséis tornillos.

MONTAJE

1. El montante L18 y las ruedas de nylon de L15 deberían mirar hacia fuera. Los canales de los tornillos en L16 y L17 deberían estar en el interior.
2. Acople el perfil inferior horizontal (L17) a uno de los perfiles verticales (L18) usando dos tornillos. Deslice los paneles (Y12) en su lugar. Repita la operación con L16/Y11 y L16/Y12. Acople L15. Acople el otro perfil vertical (L18) usando los tornillos.

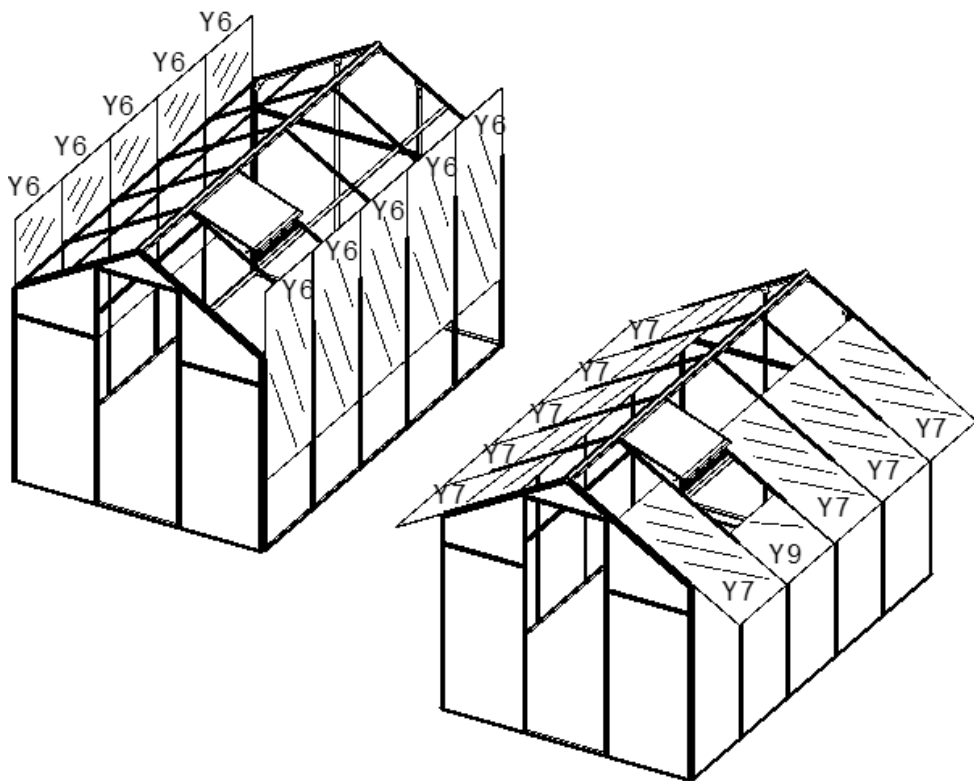


MONTAJE DEL INVERNADERO

PANALES DE ACRISTALAMIENTO

Después de instalar el techo es el momento de insertar los paneles. Las paredes laterales tienen diez paneles de cristal idénticos (Y6). Los paneles se encajan en su lugar desde arriba. Será necesario recibir asistencia para asegurarse de que cada panel encaja de forma correcta en el canal de acristalamiento.

A continuación, instale el acristalamiento del techo. Hay nueve paneles idénticos (Y7) y un panel más pequeño (Y9). Todos los paneles se deslizan en los canales de acristalamiento sobre la parte superior de los aleros y hacia arriba en la cumbre. De nuevo, necesitará ayuda para asegurarse de que los paneles encajan correctamente. La parte superior del panel Y9 encaja en el perfil bajo la apertura de ventilación. La parte inferior de los paneles descansa sobre los aleros y se es mantenido en su lugar por los canalones.



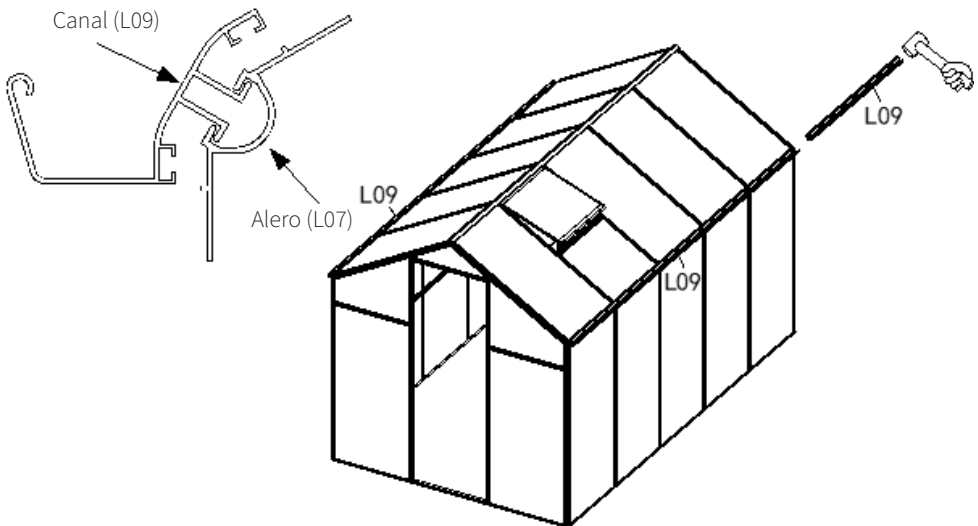
MONTAJE DEL INVERNADERO

CANALONES

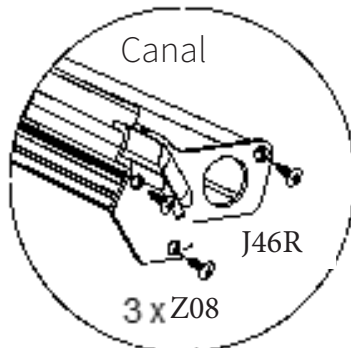
PIEZAS NECESARIAS:

Pieza	Can	Descripción
L09	2	Canalón
J46L/R	4	Tapa del extremo del canalón, 2 izquierdas y 2 derechas
Z08	12	2x16 tornillos M4

Después de que los paneles estén en su sitio, deslice el canalón (L09) en su lugar a lo largo de los aleros (L07). El canalón se coloca en una ranura que hay en los aleros. Si es necesario, utilice una maza blanda.



Una vez en su lugar, fíjelo con las 4 tapas de los extremos usando tornillos.



MONTAJE DEL INVERNADERO

COLGAR LA PUERTA

PIEZAS NECESARIAS:

Pieza	Can	Descripción
L14	1	Carril de soporte de la puerta
L11	1	Perfil central (ya montado en la pared frontal)
N/A	1	Conjunto completo de la puerta
M01/S03	3	Pernos M6 (ya colocados en L11) y tuercas
Z08	4	2 x 16 tornillos M4
J47	2	Tapas del extremo del carril de soporte de la puerta

DESCRIPCIÓN GENERAL

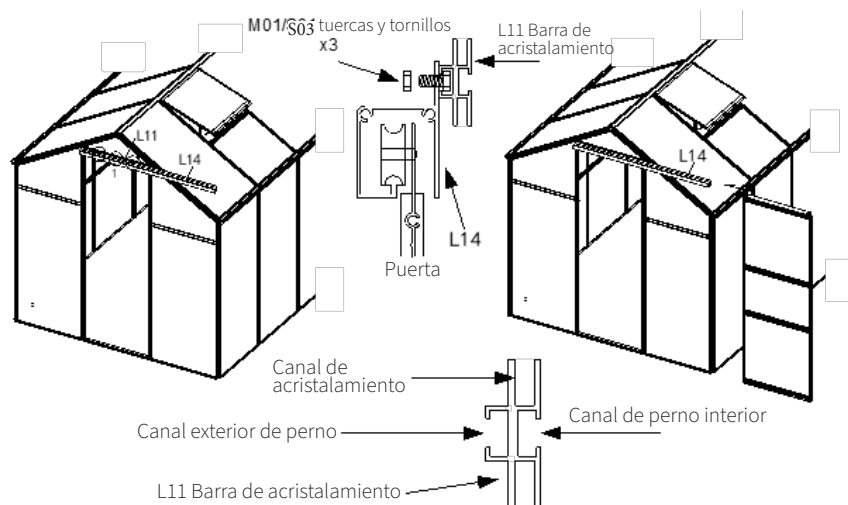
La puerta corredera se mueve sobre dos ruedas de nylon que se desplazan por un carril atornillado a la estructura sobre la apertura de la puerta. El movimiento sobre el carril está restringido por tapas de plástico fijadas a los extremos del mismo. Esto asegura que no se puede sacar la puerta por el final del carril. La parte inferior de la puerta se coloca en la repisa frontal (L10).

MONTAJE

El carril de soporte de la puerta (L14) tiene tres orificios, por lo que se puede atornillar al perfil central (L11). Los tres pernos necesarios ya han sido anteriormente instalados en L11. Separe los pernos para que coincidan con los orificios en L14. Coloque L14 en su lugar sobre los pernos y fíjelo en su lugar usando 3 tuercas.

Deslice la puerta en el carril en el interior de L14 manteniendo la parte inferior ligeramente alejada de la repisa. Una vez en su lugar, levante la puerta y déjala caer en su lugar en la repisa. Compruebe que se mueve libremente.

Ponga las tapas en su lugar en los extremos de L14 y fíjelas con tornillos.



MONTAJE DEL INVERNADERO

BASE

Hay una base de acero galvanizado para el invernadero. Se recomienda su uso, ya que se da estabilidad y hace más fácil mantenerlo nivelado y a escuadra. Se atornilla en las esquinas soportes que también sirven de patas.

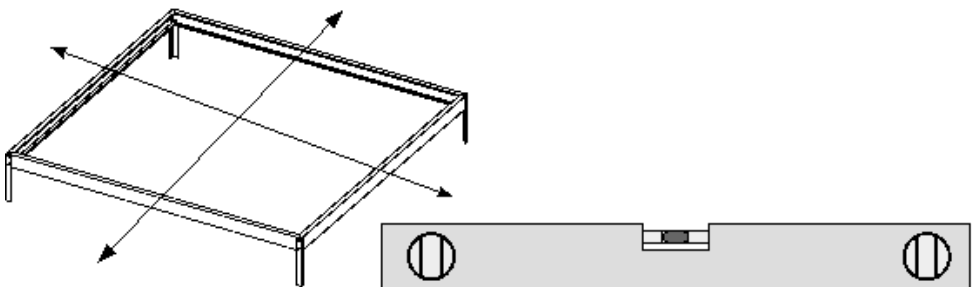
PIEZAS NECESARIAS

Pieza	Can	Descripción
C	4	Pata/soporte de la esquina de la base
A1	2	Viga de la base delantera/trasera
B1	2	Viga de la base izquierda/derecha
S03	16	2 x 16 tornillos M4
M01	16	Tuerca M6
Z08	36	Pernos M6 x 10

Coloque los haces delanteros y traseros (A1) y los haces izquierdos y derechos (B1) en un rectángulo. Coloque un soporte en cada esquina con 4 pernos y tuercas.

Es más fácil construir la base al revés y luego darle la vuelta. Las barras laterales no tienen una posición superior o inferior, cada barra debe estar sobre su borde estrecho con la parte plana hacia el exterior. Cada par de barras debe ser atornillado junto en la esquina usando el soporte y 4 pernos y tuercas.

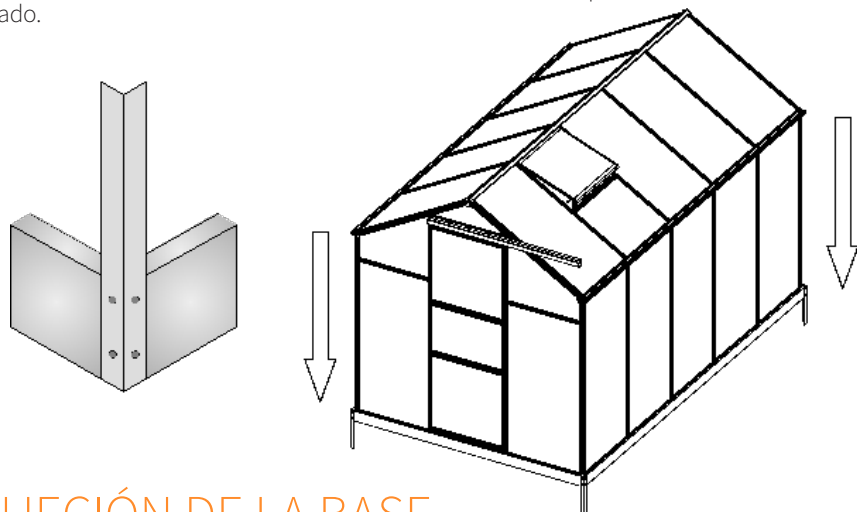
Dele la vuelta y colóquela en la localización deseada. Asegúrese de que está a escuadra y nivelado. Coloque con cuidado el invernadero sobre la base.



MONTAJE DEL INVERNADERO

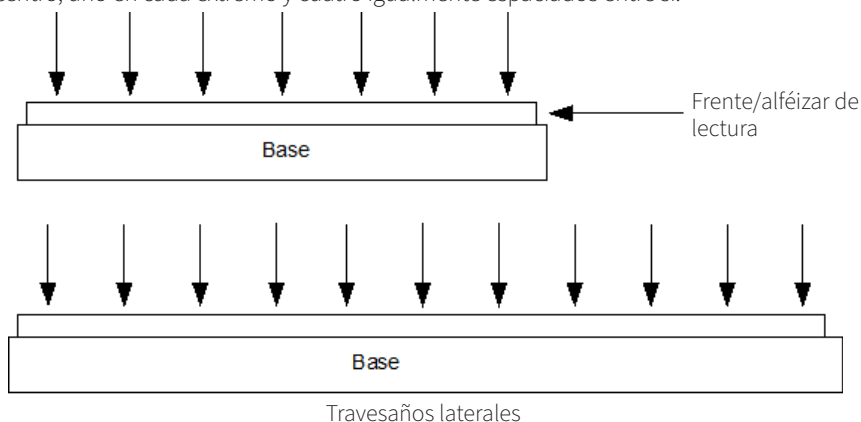
BASE

Asegúrese de que la base esté nivelada de la parte frontal a la trasera y de lado a lado. Si el invernadero se va a instalar sobre un suelo de cemento o de bloques, también debe estar nivelado.



SUJECCIÓN DE LA BASE

Una vez que la base se ha fijado en su lugar con el invernadero sobre ella, habrá que sujetarlos. Esto se hace usando tornillos Z08. Se atornillan a través de la repisa a la base. La base es de acero, pero se podrán atornillar con un poco de esfuerzo. El número y la posición de los tornillos es una cuestión de elección, pero se recomienda un mínimo de 7 para la parte delantera y trasera. Uno en el centro, uno en cada extremo y cuatro igualmente espaciados entre sí.



Para las vigas del lado izquierdo/derecho se recomienda un mínimo de once tornillos, igualmente espaciados.

GUÍA DE USUARIO

INSTRUCCIONES DE LIMPIEZA

1. Aclare los paneles con agua tibia.
2. Lave los paneles con jabón suave y agua tibia.
3. Use un paño suave o una esponja y lave con suavidad arriba y abajo moviéndolo en la misma dirección que las acanaladuras.
4. Aclare el paño o esponja y cambie el agua a menudo. NO FROTE o utilice un cepillo o escobillas. La capa sobre los paneles es delicada y se daña fácilmente.
5. Repita y aclare.

RESOLUCIÓN DE PROBLEMAS

GUÍA DE RESOLUCIÓN

¿QUÉ HAGO SI FALTAN PIEZAS EN MI PEDIDO?

Si parece que faltasen piezas de su pedido, póngase en contacto con nuestro amable y servicial Equipo de Atención al Cliente durante los 7 días tras la entrega del producto.

PARA CUALQUIER OTRA CUESTIÓN, NO DUDE EN PONERSE EN CONTACTO CON NUESTRO EQUIPO DE ATENCIÓN AL CLIENTE.



TECHNISCHE DATEN

PRODUKTBESCHREIBUNG

Das Monster-Gewächshaus ist ein flaches, leicht zu montierendes Gartengewächshaus aus Aluminium/Polycarbonat. Es ist 6 Fuß (1,82m) breit und 10 Fuß (3.05m) lang.

PRODUKTSPEZIFIKATIONEN

4mm Verglasung aus Polycarbonat

1mm - 1,3mm Aluminiumrahmen 0,8mm

Stahlboden (optional) Breite - 6' 0

Höhe - Spitze 6' 0" Tür 5' 2" Seiten 4' 2"

Länge - 10' 0".

Gewicht - 51KG (mit Sockel)

Gewicht - 41.1KG (ohne Sockel)

BENÖTIGTE WERKZEUGE & SICHERHEITSAUSSTATTUNG

1. Schutzhandschuhe
2. Trittleiter
3. Angetriebener Schraubendreher mit einem Philips Nr. 1 Schraubenkopf.
4. 10mm Schraub Schlüssel oder Steckdose
5. Vierkant setzen

Hinweis: Diese Werkzeuge werden nicht zur Verfügung gestellt. Für die Aufstellung dieses Gewächshauses werden mindestens zwei Personen benötigt.

Die Haftung der Monster Group UK Limited ist ausschließlich auf den Handelswert des Produkts beschränkt.

TECHNISCHE DATEN

PRODUKTEIGENSCHAFTEN

- A. Rahmen aus verzinktem Aluminium
- B. Doppelwandige Verglasung aus Polycarbonat
- C. Aluminium-Hohlkastenprofil als Firstbalken für mehr Festigkeit und Starrheit.
- D. Clipfreies Verglasungssystem, das die Polycarbonatverglasung sicherer in Position hält.
- E. Horizontalstreben in den Seitenwänden und im Dach zur Erhöhung der strukturellen Stabilität.
- F. Dachluke zum Öffnen
- G. Schiebetür
- H. Sockel aus verzinktem Stahl (optional)
- I. Scheiteldach & Rinnen



TECHNISCHE DATEN

INHALTSLISTE

Wenn Sie Ihr Gewächshaus zum ersten Mal auspacken, vergewissern Sie sich, dass alle Teile aus dieser Liste vorhanden sind. Jedes Teil ist deutlich gekennzeichnet. Sollten welche fehlen, kontaktieren Sie uns, bevor Sie versuchen, das Gewächshaus aufzubauen.

Teil	Anzahl	Beschreibung
J45	2	First-Endkappe
J46L	2	Dachrinnen-Endkappe (links)
J46R	2	Dachrinnen-Endkappe (rechts)
J47	2	Endkappe der Türschiene
L10	1	Vordere Türschwelle
L11	1	Stirnwand horizontale Sprossenmitte
L12A	4	Horizontale Querstrebe
L13	1	Hintere Türschwelle
L14	1	Tür-Tragschiene
L15	1	Türspange, oben
L16	2	Türspange, Mitte
L17	1	Türspange, unten
L18	2	Türspange, links & rechts
L19	2	Lukensprosse, links & rechts
L20	1	Lukensprosse oben
L21	1	Lukensprosse unten
LO1A	4	Vorder- & Rückwand äußere vertikale Sprossen links & rechts
LO1B	4	Schrägdach-Glasleiste (2 vorne + 2 hinten)
LO2A	8	Seitenwandverglasung Sprossenmitte
LO2B	6	Dachspresse Mitte, glatte Seite
LO2C	1	Dachfenstersprosse innen, Lüftungsseite
LO2D	1	Dachfenstersprosse innen, Lüftungsseite
LO3B	6	Allgemeine Sprosse
LO4A	2	Vorder- & Rückwand innere vertikale Glasleiste links
LO4B	2	Vorder- & Rückwand innere vertikale Glasleiste rechts

TECHNISCHE DATEN

INHALTSLISTE

Teil	Anzahl	Beschreibung
LO5A	1	Rückwand-Horizontalstrebe
LO5B	2	Frontwand Horizontalstrebe links & rechts
LO6	1	Dachfirst
LO7	2	Seitenwandverglasung obere Leiste
LO8A	2	Seitenwand-Schwelle
LO9	2	Rinne
MO1	46	M6 Muttern
S03	46	M6 Schraube
S28	2	M4 Schraube
M02	2	M4 Mutter
D47	6	Winkel-Trägerplatte
A01	1	Fenster-Steg
A03	1	Fenster-Steghalterung
Y1	2	Vorder- & Rückwand obere Verglasung rechts
Y10	1	Luken-Verglasungsplatte
Y11	1	Tür-Mittelverglasung
Y12	2	Obere und untere Verglasung der Tür
Y2	5	Vorder- & Rückwand untere Verglasung
Y3	1	Rückwand obere Verglasung Mitte
Y4	2	Vorder- & Rückwand obere Verglasung links
Y5	1	Vorderwand obere Verglasung Mitte
Y6	10	Seitenwand-Verglasungsplatte
Y7	9	Dachverglasungsplatte (groß)
Y8	0	Nicht benutzt
Y9	1	Dachverglasungsplatte (klein)
Z08	168	Selbstbohrschraube
C	4	Basis-Eckstützen/Konsole
A1	2	Basis Balken vorne/hinten
B1	2	Basis Balken links/rechts

SICHERHEITSHINWEISE

SICHERES ARBEITEN

Bitte lesen Sie den Abschnitt “Sicheres Arbeiten” durch, um Verletzungen oder Schäden am Gewächshaus zu vermeiden.

Vergewissern Sie sich, dass Sie die Bedienungsanleitung und die Sicherheitshinweise gelesen und vollständig verstanden haben, bevor Sie dieses Produkt montieren.

Für den Zusammenbau dieses Gewächshauses sind mindestens zwei Personen erforderlich.

Stellen Sie sicher, dass dieses Gewächshaus gemäß dieser Anleitung gehandhabt und aufgebaut wird. Versuchen Sie nicht, dieses Gewächshaus an einem besonders windigen Tag zu montieren.

Vergewissern Sie sich, dass das Gewächshaus auf einer ebenen Fläche montiert und aufgestellt wird. Vergewissern Sie sich, dass dieses Produkt sicher montiert ist.

Stellen Sie sicher, dass dieses Produkt an einem sicheren Ort aufgestellt wird. Das Produkt muss am Boden verankert werden.

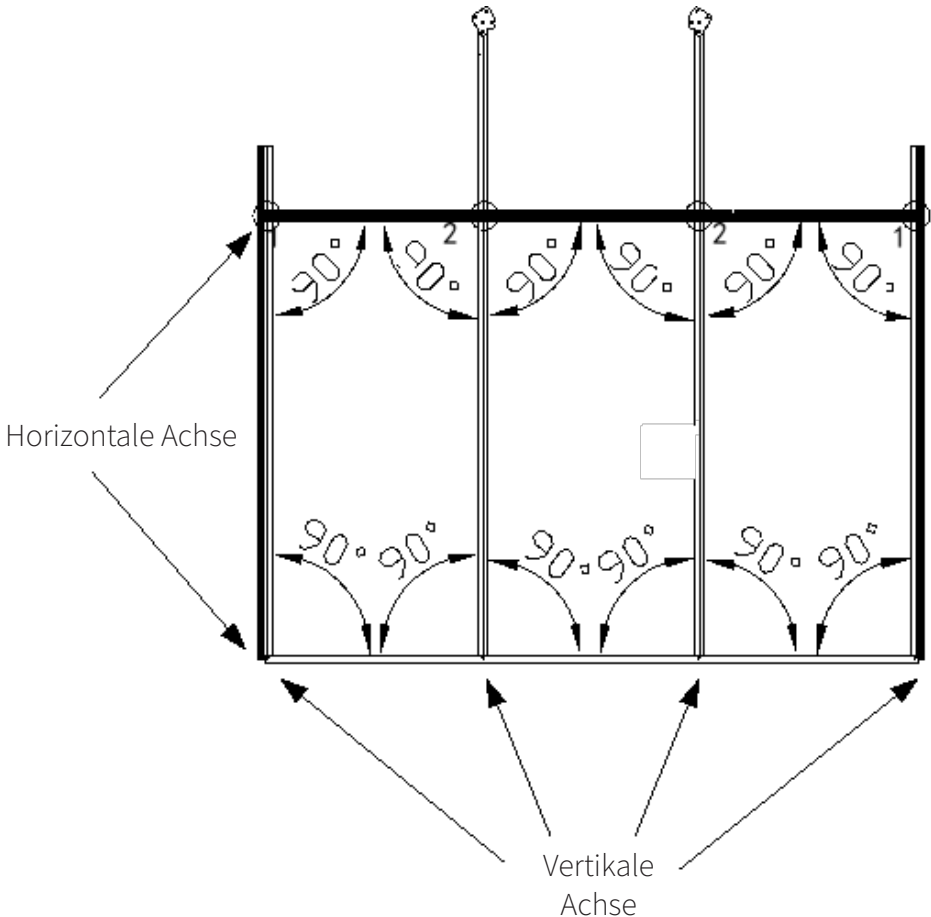
Verwenden Sie dieses Produkt nur für den vorgesehenen Zweck. Vergewissern Sie sich, dass alle anderen mit diesem Produkt verwendeten Materialien dem Standard entsprechen.

BENUTZERGUIDE

ALLGEMEINE RICHTLINIEN FÜR DIE MONTAGE

Das Gewächshaus besteht aus mehreren Abschnitten. Die prinzipielle Methode der Montage ist für alle Sektionen gleich. Legen Sie die Komponenten auf dem Boden in dem Muster aus, in dem sie montiert werden sollen. Betrachten Sie die Pläne und vergewissern Sie sich, dass Sie verstehen, wie jedes Teil zusammengesetzt wird.

Mit Ausnahme des Daches sind alle Winkel ein rechter Winkel (90 Grad). Der Boden des Gewächshauses muss flach und horizontal sein. Alle Pfosten sind dann vertikal. Dies ist entscheidend, um sicherzustellen, dass die Glasscheiben richtig passen.



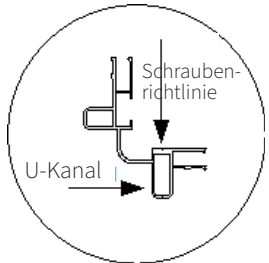
BENUTZERGUIDE

SELBSTBOHRENDE SCHNEIDSCHRAUBEN

Es gibt keine vorgebohrten Löcher im Rahmen für die Schrauben. Aus diesem Grund werden selbstbohrende Schrauben verwendet. Diese schneiden sich leicht durch den Aluminiumrahmen. Es wird empfohlen, einen Elektroschrauber zu verwenden, idealerweise mit einstellbarer Drehgeschwindigkeit.

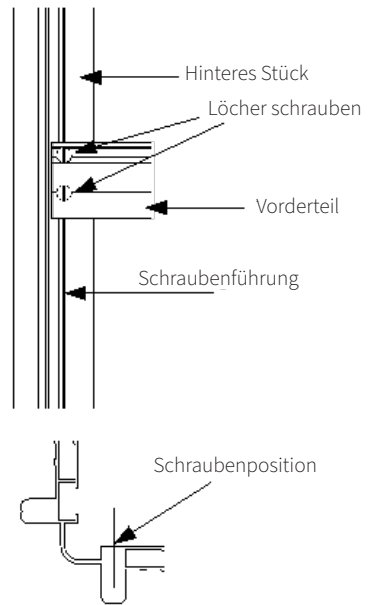
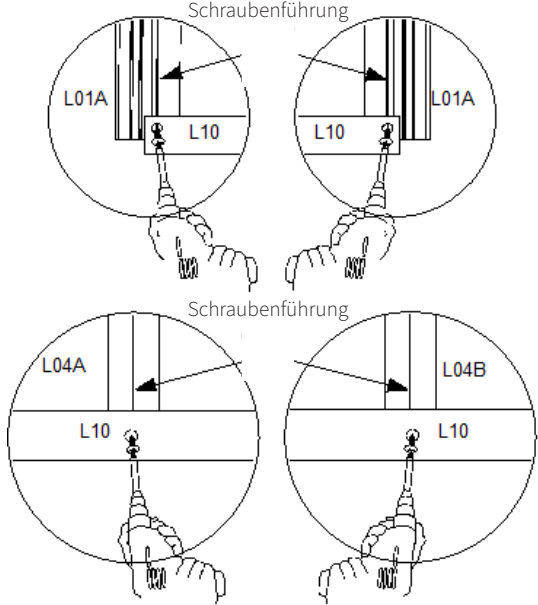
Wo Schrauben verwendet werden sollen, ist eine Führungslinie in das Aluminiumbauteil eingefräst worden.

Auf der Rückseite des Bauteils befindet sich ein Kanal in Form eines länglichen U zur Aufnahme der Schraube (siehe Abbildung). Dies gilt für fast alle Schraubenverbindungen. Wo dies nicht der Fall ist, wird in der Anleitung zur Vorgehensweise darauf hingewiesen.



Jedes zu befestigende Teil hat ein oder zwei vorgebohrte Schraubenlöcher. Sobald dieses Teil positioniert ist, ist die Führungslinie der Schraube durch das/die Loch/Löcher sichtbar. Mit einem elektrischen Bohrer können die Schrauben in das Rückteil gebohrt werden, wobei das Loch/die Löcher und die Führungslinie verwendet werden, um die korrekte Position zu gewährleisten.

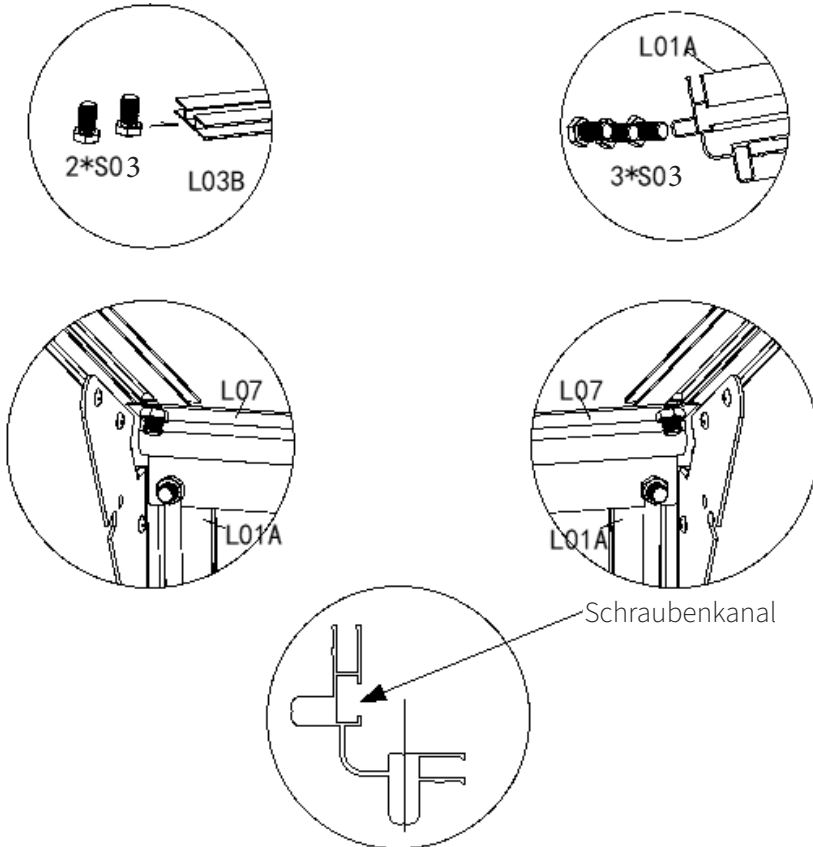
Anwendungsbeispiele für selbstbohrende Schrauben



BENUTZERGUIDE

MUTTERN UND SCHRAUBEN

Viele der Komponenten sind mit Schrauben und Muttern gesichert.



Anwendungsbeispiele des Schraubenkanals

Beim Befestigen der Bauteile mit den Muttern (M01) und Schrauben (S03) wird die Schraube in den Schraubkanal eingesetzt. Das zu befestigende Bauteil wird über die überstehende Schraube gelegt. Anschließend wird eine Mutter auf die Schraube aufgeschraubt und angezogen, um das Bauteil zu sichern. In einigen Fällen wird es notwendig sein, einige zusätzliche Schrauben in den Schraubenkanal für die spätere Verwendung einzusetzen. Das ist wichtig, da sie später zur Sicherung der Komponenten verwendet werden. Um zu verhindern, dass sich diese zusätzlichen Schrauben um eine Mutter herumbewegen, kann man sie aufschrauben und mit den Fingern festziehen. Wo dies nicht der Fall ist, wird es in der Anleitung zur Vorgehensweise näher erläutert.

BENUTZERGUIDE

VERGLASUNGSPANEELE

Die Paneele sind beschriftet und mit einer Schutzfolie überzogen, die auf einer Seite weiß und auf der anderen Seite klar ist.

Die Verglasungspaneele sind auf einer Seite zum Schutz vor Beschädigungen durch Sonnenlicht bearbeitet (dies ist nicht mit der Schutzfolie zu verwechseln). Diese behandelte Seite muss nach außen zeigen, um den Korpus der Glasscheiben zu schützen.

Bei der Montage eines Paneels wird die Folie in einem 5 cm langen Streifen rund um das Paneel auf beiden Seiten abgezogen. Die Paneele sollten mit der weißen Seite nach außen montiert werden. Sie können als Abstandhalter für einen Teil des Rahmens verwendet werden, z.B. für die inneren vertikalen Sprossen der Vorder- und Rückwand.

Die Verglasungsschienen sind 10mm tief und die Paneele müssen bis zum Boden dieser Schiene eingeschoben werden.

GEWÄCHSHAUSMONTAGE

STIRNWAND

BENÖTIGTE TEILE:

Teil	Anz.	Beschreibung
L01A	2	Stirnwand außen vertikale Sprossen links & rechts
L01B	2	Schrägdach-Sprosse
L03B	2	Allgemeine Sprosse
L04A	1	Stirnwand innen vertikale Sprosse links
L04B	1	Stirnwand-Innenseite vertikale Sprosse rechts
L05B	2	Stirnwand-Horizontalstrebe links & rechts
L11	1	Stirnwand waagerechte Sprossenmitte
L10	1	Vordere Schwelle
Y1	1	Vorderwand obere Verglasung rechts
Y2	2	Vorderwand untere Verglasung
Y5	1	Vorderwand obere Verglasung Mitte
Y4	1	Vorderwand obere Verglasung links
D47	3	Winkeltragplatte
Z08	24	Schraube
S03	9	Schraube M6
M01	9	M6 Mutter

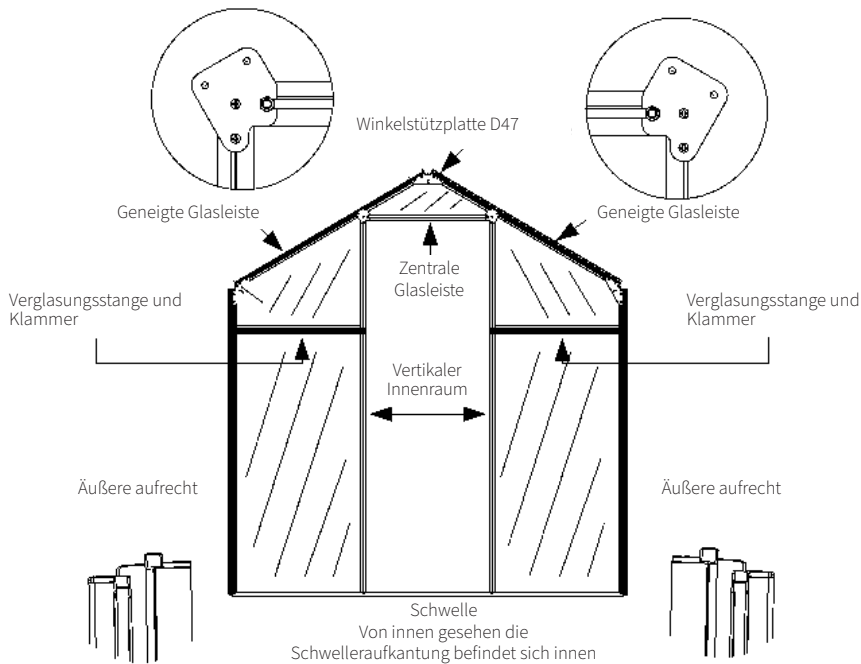
ALLGEMEINE BESCHREIBUNG

Die Stirnwand besteht aus einer Schwelle (L10), 2 Außenholmen (L01A), 2 Innenholmen (L04A&B), 2 Sprossen (L03B), 2 Streben (L05B), 2 Dachschrägensprossen (L01B) und einer mittleren Sprosse (L11).

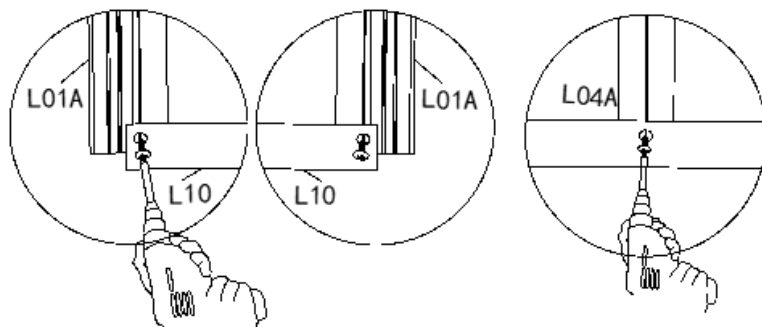
Beginnen Sie damit, alle Komponenten auf dem Boden anzuordnen. Vergewissern Sie sich, dass Sie alle Komponenten haben und ihre Position und Ausrichtung verstehen. Die Vorder- und Rückwände sind klein und leicht genug, um unter einem Dach (z.B. in einer Garage) montiert und zum vorgesehenen Montageort gebracht zu werden.

GEWÄCHSHAUSMONTAGE

STIRNWAND



1. Befestigen Sie zunächst 1 äußeren Pfosten (L01A) mit einer Schraube an der Schwelle, eine Seite reicht aus. Die Stütze auf der Schwelle wird auf der Innenseite sein.

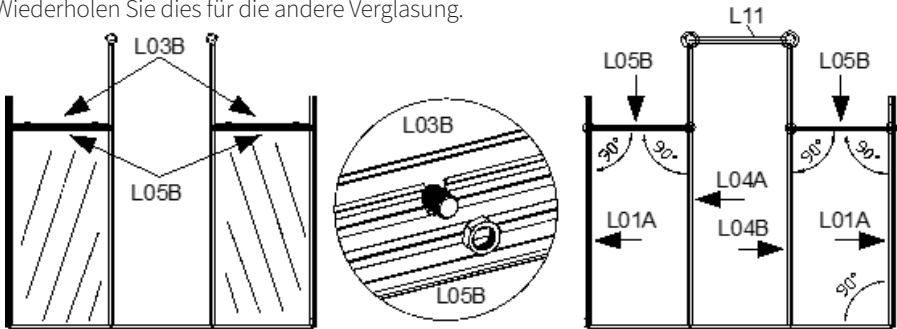


2. Setzen Sie eine untere Verglasungsplatte (Y2) ein und verwenden Sie diese als Abstandshalter, um den inneren Pfosten (L04A) auf dieser Seite zu fixieren.
3. Befestigen Sie den inneren Pfosten mit einer Schraube. Achten Sie darauf, dass der Schlitz in der Halterung an der Oberseite nach innen zeigt.
4. Wiederholung für die andere Seite.

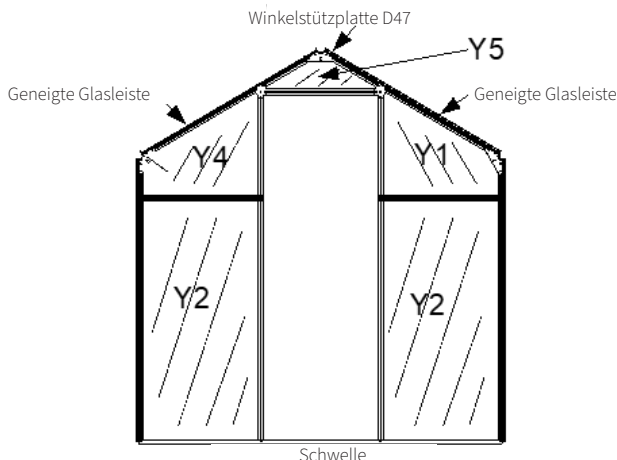
GEWÄCHSHAUSMONTAGE

STIRNWAND

5. Setzen Sie je 2 x M6 Schrauben in 2 (L03B) Glasleisten ein. Positionieren Sie je eine Sprosse auf den 2 unteren Glasscheiben.
6. Bringen Sie eine horizontale Strebe (L05B) an einer der beiden Glasleisten an und heben Sie diese nach dem Einstellen der Schrauben in Position. Setzen Sie eine Mutter auf jede der Schrauben und ziehen Sie sie handfest an (L05B).
7. Wiederholen Sie dies für die andere Verglasung.



8. Sichern Sie jede Strebe mit einer Schraube an jedem Ende, aber ziehen Sie sie nicht vollständig an.
9. Prüfen Sie, ob die Wandplatte quadratisch ist. Ziehen Sie die Schrauben und die 4 Muttern an.
10. Setzen Sie eine zweite Schraube in jedes Ende der beiden Streben ein.
11. Führen Sie drei Schrauben in den äußeren Schraubkanal der mittleren Verglasungsleiste (L11) zur späteren Verwendung ein. Führen Sie zwei Schrauben in den inneren Schraubkanal ein und verwenden Sie diese, um die Leiste zwischen den beiden Halterungen auf der Oberseite der inneren Ständer zu befestigen.
12. Die drei oberen Glasscheiben (Y1, Y4 & Y5) einschieben.

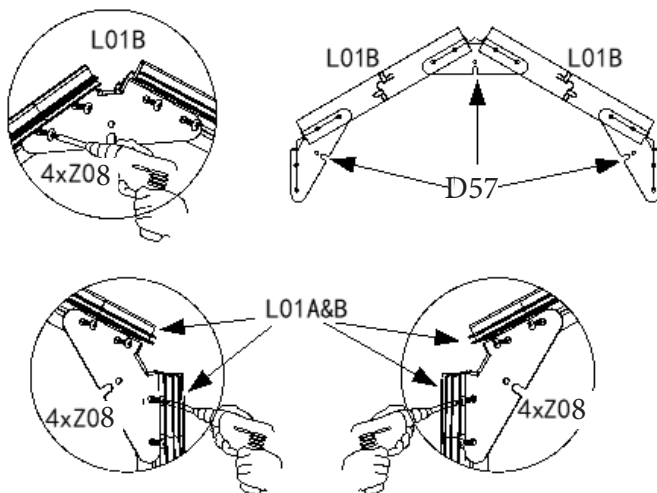


Von innen gesehen die, schwelleraufkantung befindet sich innen

GEWÄCHSHAUSMONTAGE

STIRNWAND

13. Positionieren Sie die 2 Schrägdachsprossen (L01B) auf die oberen Glasscheiben. Befestigen Sie diese mit 3 Winkeltragplatten (D47) mit 12 Schrauben.



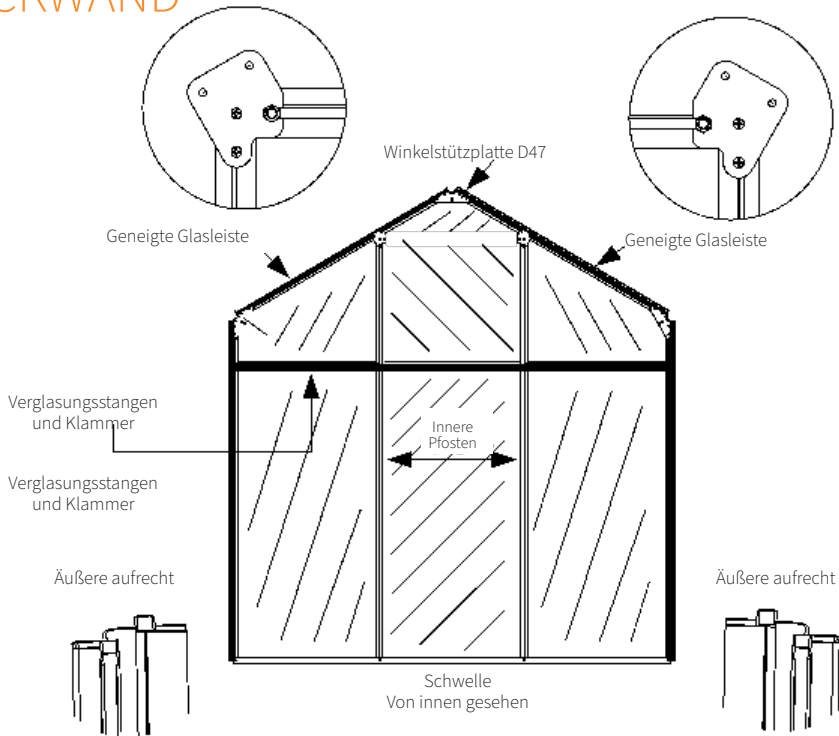
RÜCKWAND

BENÖTIGTE TEILE:

Teil	Anz	Beschreibung
L01A	2	Rückwand außen vertikale Sprossen links & rechts
L01B	2	Schrägdach-Verglasung links & rechts
L03B	3	Allgemeine Sprosse
L04A	1	Rückwand innen vertikaler Sprosse links
L04B	1	Rückwand innen vertikale Sprosse rechts
L05A	1	Rückwand-Horizontalstrebe
L13	1	Hintere Schwelle
Y1	1	Rückwand obere Verglasung rechts
Y2	3	Rückwand untere Verglasung
Y3	1	Rückwand obere Verglasung Mitte
Y4	1	Rückwand obere Verglasung links
D47	3	Winkeltragplatte
Z08	24	Schraube
S03	6	Schraube M6
M01	6	M6 Mutter

GEWÄCHSHAUSMONTAGE

RÜCKWAND



ALLGEMEINE BESCHREIBUNG

Die Rückwand besteht wie die Stirnwand aus einer Schwelle, 2 Außenholmen, 2 Innenholmen, 2 Schrägdachsprossen und 3 allgemeinen Sprossen. Diesmal gibt es jedoch nur 1 Sprosse, die über die gesamte Breite der Wand verläuft.

Legen Sie alle Bauteile auf dem Boden aus. Vergewissern Sie sich, dass Sie alle Komponenten haben und ihre Position und Ausrichtung verstehen.

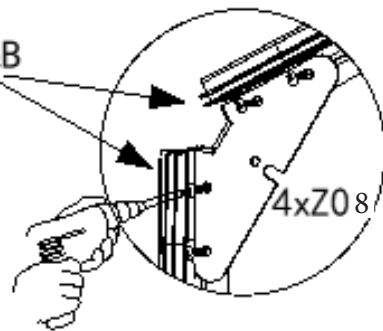
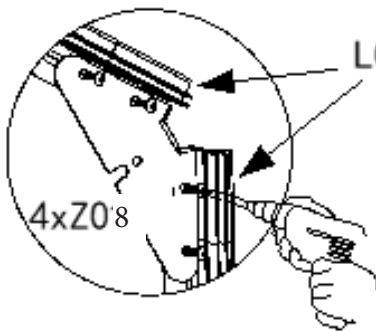
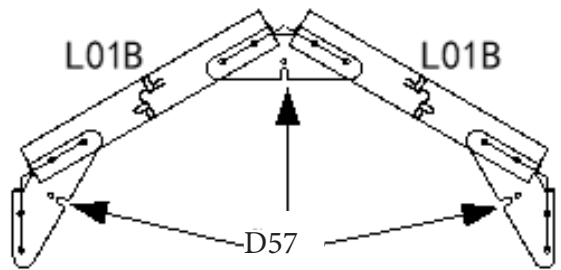
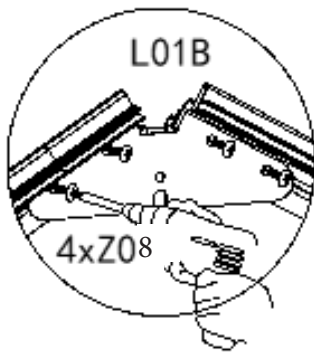
MONTAGE

1. Beginnen Sie damit, dass Sie 1 Außenpfosten mit einer Schraube an der Schwelle befestigen, eine Seite reicht aus. Vergewissern Sie sich, dass die Pfosten in der richtigen Reihenfolge angebracht werden.
2. Setzen Sie eine untere Glasscheibe ein und verwenden Sie diese als Abstandshalter, um den inneren Pfosten auf dieser Seite zu positionieren.
3. Befestigen Sie den inneren Pfosten mit einer Schraube.
4. Wiederholung für die andere Seite.
5. Insert the centre glazing panel.
6. Setzen Sie 2 x M6 Schrauben in jede der 3 (L03B) Glasleisten ein. Positionieren Sie je eine Verglasungsleiste auf den 3 unteren Glasscheiben.
7. Setzen Sie die 3 oberen Glasscheiben ein.

GEWÄCHSHAUSMONTAGE

RÜCKWAND

8. Bringen Sie die Horizontalstrebe (L05A) nach oben und heben Sie sie nach dem Einstellen der Position der Schrauben an. Setzen Sie eine Mutter auf jede der Schrauben und ziehen Sie sie handfest an.
9. Sichern Sie die Strebe mit einer Schraube an jedem Ende, aber ziehen Sie sie nicht vollständig an.
10. Überprüfen Sie, ob die Wandplatte quadratisch ist.
11. Ziehen Sie die äußeren Schrauben und die 6 Muttern fest.
12. Befestigen Sie die Strebe mit je 1 Schraube an den inneren Stützen.
13. Noch einmal prüfen, ob alles rechtwinklig ist, dann die Strebe mit 4 weiteren Schrauben an den 4 Stützen befestigen.
14. Positionieren Sie die 2 Dachsprossen (L01B) auf den oberen Glasscheiben. Sichern Sie diese mit 3 Winkelstützen (D47).



GEWÄCHSHAUSMONTAGE

SEITENWÄNDE – LINKS UND RECHTS

BENÖTIGTE TEILE:

Teil	Anz	Beschreibung
L02A	8	Seitenwand vertikale Verglasung
L08A	2	Seitenwand-Schwelle
L07	2	Seitenwand Traufe
L12A	2	Seitenwand-Querstrebe horizontal
M01	24	M6 Muttern
S03	24	Schraube M6
Z08	32	Schraube M4,2x16
Y6	10	Seitenwand-Verglasungsplatte

ALLGEMEINE BESCHREIBUNG

Sie bestehen jeweils aus einer Schwelle (L08A) unten, einer Traufe (L07) oben, drei inneren vertikalen Glasleisten (L02A) und einer Querstrebe (L12A). Sie haben keine äußeren Pfosten, da diese durch die äußeren Pfosten an der Vorder- und Rückwand gebildet werden. Sie haben außerdem jeweils vier Verglasungselemente (Y6).

Die drei horizontalen Teile der Seitenwände (Schwelle, Strebe & Traufe) verbinden die Vorderwand effektiv mit der Rückwand. Diese werden mit Schrauben und Muttern gesichert. Für jede Ecke werden drei benötigt, also insgesamt zwölf.

Auch die Traufe muss zu diesem Zeitpunkt mit den Dachsprossen verschraubt werden. Es ist eine gute Idee, alle für das Dach benötigten Schrauben und Muttern vorher zu montieren. Für jede Verglasungsleiste werden drei, also insgesamt zwölf benötigt.

Stirn-/Rückwandvorbereitung

Beginnen Sie mit der Montage von je drei Schrauben in den Schraubenkanal der äußeren Stützen (L01A) der Vorder- und Rückwand. Es ist eine gute Idee, vor der Montage auf jede Schraube eine Mutter aufzuschrauben. Eine Schraube wird oben, eine unten und eine in der Mitte benötigt, also schieben Sie die Schrauben grob in ihre Position und ziehen Sie die Muttern handfest an, damit sie nicht herausrutschen.

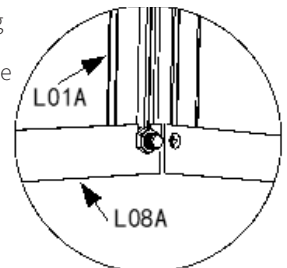
Als nächstes werden drei Schrauben in jede Dachverglasungsleiste (L01B) eingebaut. Eine Schraube wird oben, eine unten und eine in der Mitte benötigt. Schieben Sie die Schrauben grob in Position und ziehen Sie die Muttern fest, um ein Herausrutschen zu verhindern.

Seitenwandmontage

Um mit der Montage der Seitenwände beginnen zu können, müssen Vorder- und Rückwand im entsprechenden Abstand und in der richtigen Ausrichtung aufrecht gehalten werden. Positionieren Sie die Komponenten jeder Seitenwand auf beiden Seiten. Beide Seiten sind gleich, so dass es keine Rolle spielt, was zuerst gemacht wird.

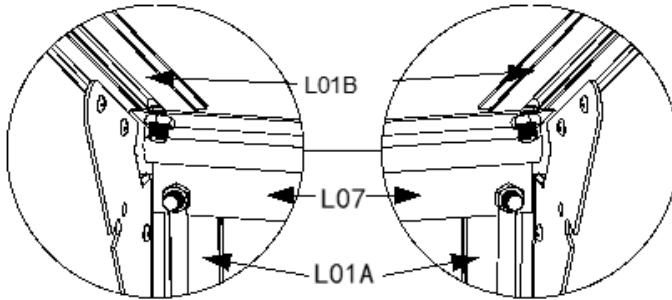
Befestigen Sie die Schwelle (L08A) an den vorderen und hinteren äußeren Pfosten (L01A) mit der bereits montierten Schraube und Mutter.

Befestigen Sie die Traufe (L07) an den vorderen und hinteren Außenpfosten (L01A) mit der bereits installierten Schraube und Mutter. Befestigen Sie auch die Dachverglasungsleisten (L01B) an der Traufe mit der bereits installierten Schraube und Mutter an den Dachträgern.

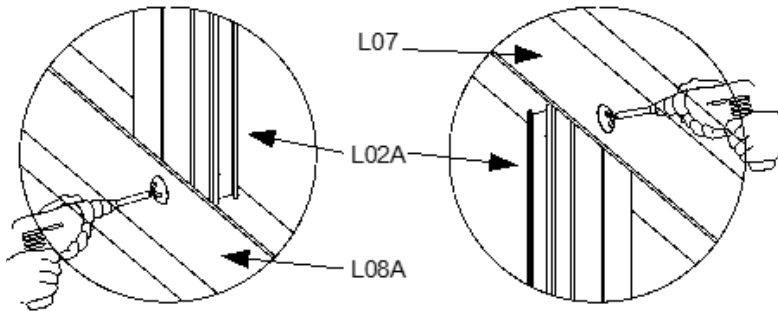


GEWÄCHSHAUSMONTAGE

SEITENWÄNDE – LINKS UND RECHTS

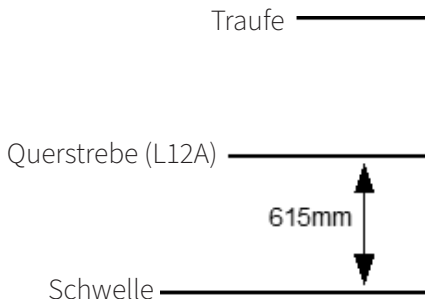


Befestigen Sie die vertikale Sprosse (L02A) an der Schwelle und an der Traufe mit einer einzigen Schraube an jedem Ende.



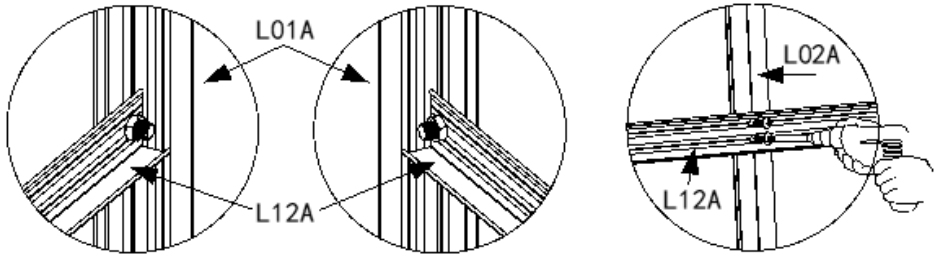
Achten Sie darauf, dass alle Innenwinkel 90° sind.

Befestigen Sie die horizontale Querstrebe (L12A) an den vertikalen Stützen (L01A) mit den bereits installierten Schrauben in einer Höhe von 615 mm von der Unterseite der Stütze bis zur Unterseite der Strebe. Befestigen Sie die Querstrebe mit zwei Schrauben an der mittleren Glasleiste (L02A).



GEWÄCHSHAUSMONTAGE

SEITENWÄNDE – LINKS UND RECHTS



Wiederholung für die andere Seite

MONTAGE DER DACHLUKE

Die Dachluke besteht aus vier Sprossen, einer Verglasung und einer Fensterstütze (A01). Die Sprossen werden mit vier Schrauben zusammengehalten. Die Fensterscharniere sind oben (vom Dachfirst (L06)), die Fensterstütze unten. Die Fensterstrebe wird mit zwei M4 Schrauben und Muttern befestigt.

BENÖTIGTE TEILE:

TEIL	Anz	Beschreibung
L19	2	Lukensprosse, links & rechts
L20	1	Lukensprosse, oben
L21	1	Lukensprosse, unten
A01	1	Fenster-Steg
Y10	1	Luken-Verglasungsplatte
Z08	4	Schraube M4,2x16
S28	2	Schraube M4x10
M02	2	M4 Mutter

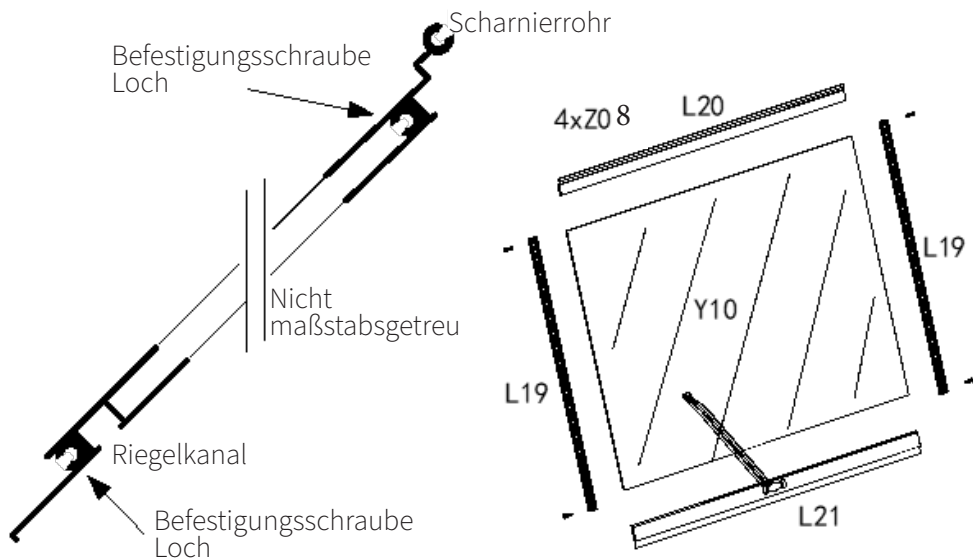
Setzen Sie die Verglasungsplatte (Y10) in die obere Glasleiste (L20) ein. Das Scharnierrohr sollte dabei oben liegen (siehe Zeichnung).

Zwei seitliche Glasleisten (L19) mit der geriffelten Seite nach oben mit Schrauben befestigen. Führen Sie zwei Schrauben (S28) in den Schraubkanal in der unteren Glasleiste (L21) ein.

Befestigen Sie die untere Sprosse mit dem Schraubkanal nach unten mit 2 Schrauben (siehe Zeichnung). Die Fensterstütze über die beiden Schrauben setzen und mit zwei Muttern sichern.

GEWÄCHSHAUSMONTAGE

MONTAGE DER DACHLUKE



DACHMONTAGE

BENÖTIGTE TEILE:

Teil	Anz	Beschreibung
L06	1	Dachfirst
L02B	6	Dachsprosse Mitte, glatte Seite
L02C	1	Dachfenstersprosse innen, Lüftungsseite
L02D	1	Dachfenstersprosse innen, Lüftungsseite
L12A	2	Dach-Querstrebe horizontal
L03B	1	Allgemeine Sprosse
Z08	32	Schraube M4,2x16
A03	1	Fenster-Steghalterung
M01/S03	4	M6 Muttern & Schrauben
Y7	9	Dachverglasungsplatte
Y9	1	Dachverglasungsplatte für die Lukenseite
J45	2	First-Endkappe

GEWÄCHSHAUSMONTAGE

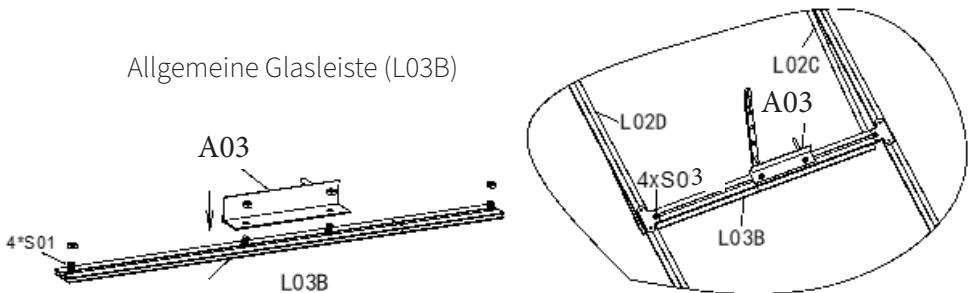
DACHMONTAGE

ALLGEMEINE BESCHREIBUNG

Das Dach besteht aus einem First (L06), der vom Scheitelpunkt der Vorderwand zum Scheitelpunkt der Rückwand verläuft, drei Glasleisten (L02B), die auf der linken Seite vom First zur Traufe hinunterlaufen, drei Glasleisten (L02B/C/D), die auf der rechten (Lüftungs-)Seite vom First zur Traufe hinunterlaufen und zwei Querstreben (L12A), die von vorne nach hinten über die Mitte jeder Seite verlaufen.

Dies unterteilt das Dach effektiv in acht Abschnitte. Sieben der Abschnitte sind gleich. Der Achte (2. Feld von vorne gesehen rechts) enthält den Lüftungsschacht. Dieser Abschnitt hat eine andere Verglasung (Y9). Die anderen sieben haben identische Verglasungen (Y7).

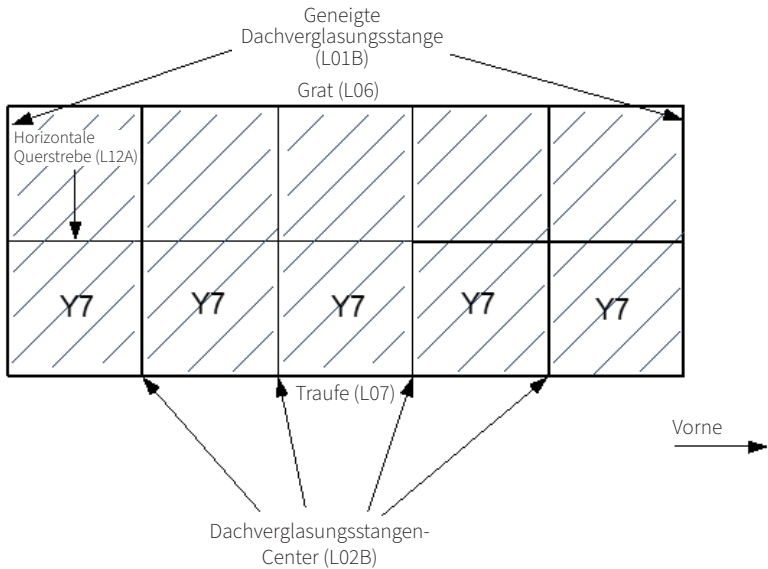
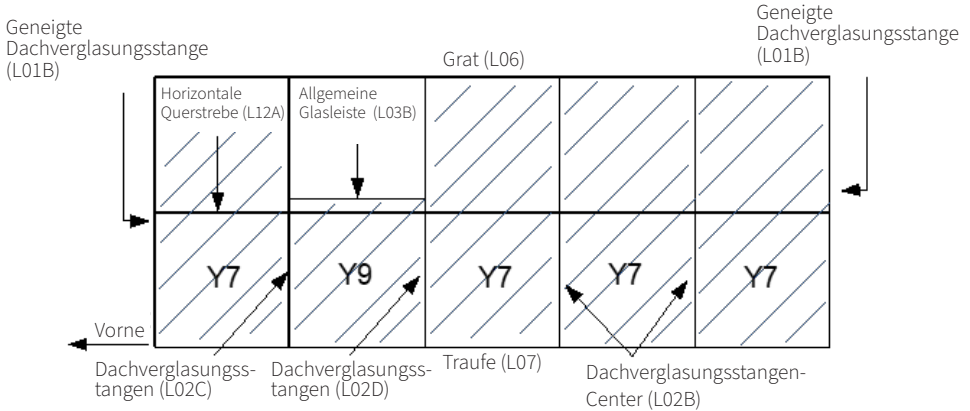
Die Verglasungsplatte (Y9) ist mit einer allgemeinen Glasleiste (L03B) versehen. Dies bietet nicht nur Platz für das Ende der Verglasungsplatte, sondern hält auch die Fensterhalterung (A03). Die Sprosse (L03B) wird an beiden Enden an den inneren Sprossen (L02C/D) mit den bereits an den Sprossen angebrachten Halterungen befestigt.



GEWÄCHSHAUSMONTAGE

DACHMONTAGE

HAUPTBESTANDTEILE DES DACHES

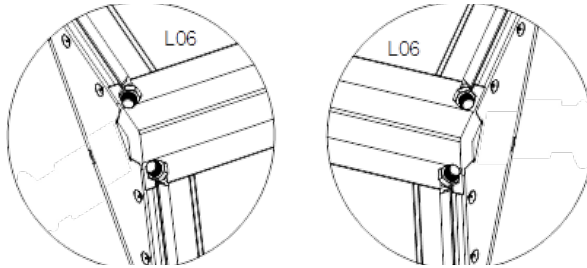


Allgemeines Schema der Hauptdachkomponenten.

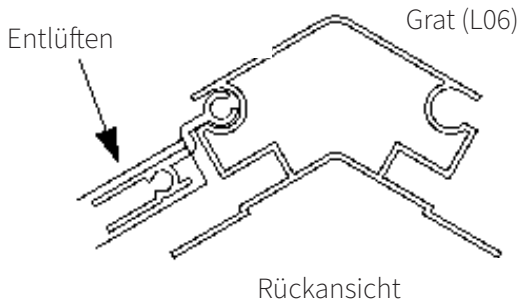
GEWÄCHSHAUSMONTAGE

DACHMONTAGE

Befestigen Sie das vordere Ende des Firstes mit den zuvor montierten Schrauben und Muttern an den Sprossen des Daches.



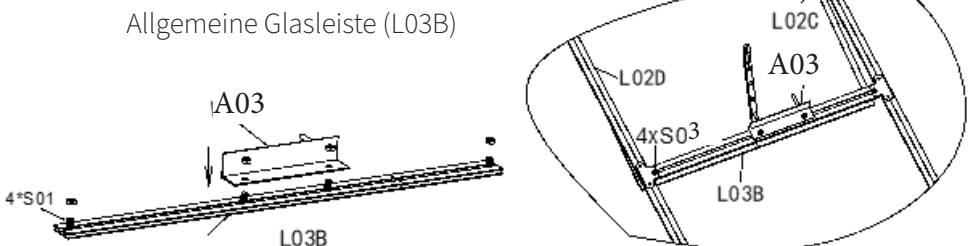
Schieben Sie die Dachlukenklappe von hinten rechts (von vorne gesehen) in den First.



Befestigen Sie das hintere Ende des Firstes mit den zuvor montierten Schrauben und Muttern an den Dachgittern.

Befestigen Sie die Sprossen (L02C/L02D) mit Schrauben an der Traufe und am First auf der rechten Seite, dies unterstützt die Belüftung. Befestigen Sie die vier Glasleisten (L02B) an der Traufe und dem First auf der linken Seite mit Schrauben. Befestigen Sie zwei Glasleisten (L02B) an der Traufe und dem First auf der rechten Seite mit Schrauben.

Schieben Sie vier Bolzen (S03) in die allgemeine Verglasungsleiste (L03B). Verwenden Sie die beiden inneren, um die Fensterstrebe A03 zu befestigen. Verwenden Sie die beiden äußeren Bolzen zur Befestigung von L03B an den Halterungen L02C und L02D.



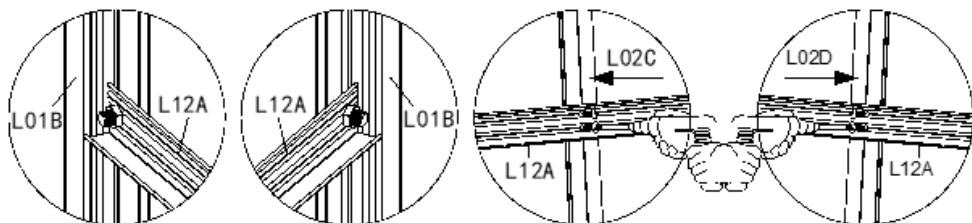
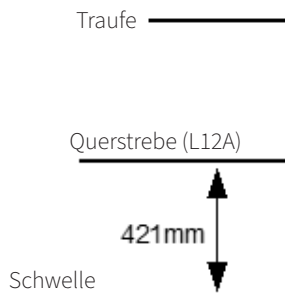
GEWÄCHSHAUSMONTAGE

DACHMONTAGE

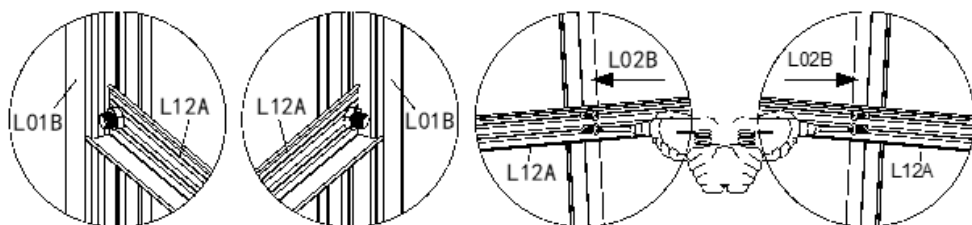
Befestigen Sie die beiden horizontalen Querstreben (L12A) an den vorderen und hinteren Dachverglasungsleisten (L01B) mit den zuvor montierten zusätzlichen Schrauben. Die Unterseite der Strebe sollte 421 mm vom Ende der Verglasungsleiste entfernt sein.

Befestigen Sie die horizontalen Querstreben mit zwei Schrauben an den mittleren Glasleisten (L02B/L02C/L02D). Beachten Sie, dass sich auf der rechten Seite auch ein L02B befindet.

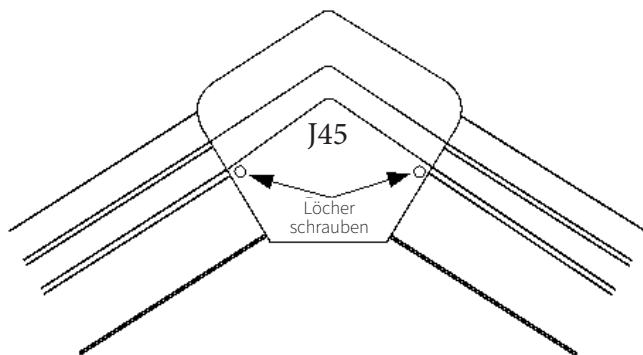
Vervollständigen Sie das Dach, indem Sie die beiden Firstendkappen (J45) montieren und mit Schrauben sichern.



INNENANSICHT (RECHTE SEITE)



INNENANSICHT (LINKE SEITE)



GEWÄCHSHAUSMONTAGE

TÜRMONTAGE

BENÖTIGTE TEILE:

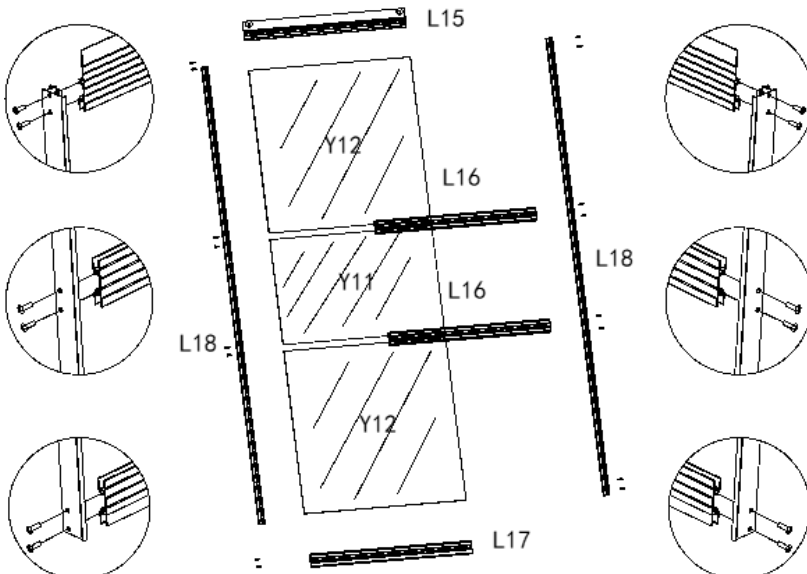
Teil	Anz	Beschreibung
L15	1	Türspange, oben
L16	2	Türspange, Mitte
L17	1	Türspange, unten
L18	2	Türspange, links & rechts
Y11	1	Türverglasung, Mitte
Y12	2	Türverglasung, oben & unten
Z08	16	M4,2x16 selbstbohrende Schraube

ALLGEMEINE BESCHREIBUNG

Das Tor besteht aus zwei vertikalen Sprossen (L18), vier horizontalen Sprossen (L15/L16/L17) und 3 Glasscheiben. Diese werden mit sechzehn Schrauben zusammengehalten.

MONTAGE

1. Der Aufsatz bei L18 und die Nylonräder bei L15 sollten nach außen zeigen. Die Schraubkanäle an L16 und L17 sollten sich auf der Innenseite befinden.
2. Befestigen Sie die untere horizontale Glasleiste (L17) mit zwei Schrauben an einer der vertikalen Glasleisten (L18). Schieben Sie die Verglasungsplatten (Y12) an ihren Platz. Wiederholen Sie den Vorgang mit L16/Y11 und L16/Y12. L15 befestigen. Befestigen Sie die andere vertikale Glasleiste (L18) mit acht Schrauben.

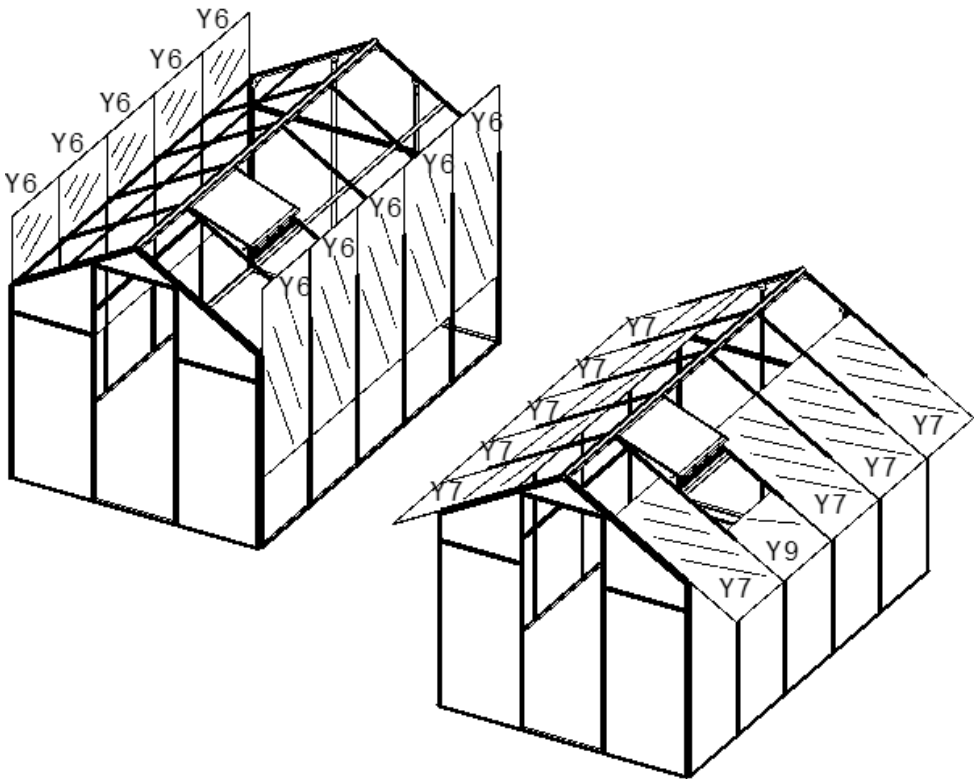


GEWÄCHSHAUSMONTAGE

GLASPANEELE

Nach der Montage des Daches ist es an der Zeit, die Glaspaneele einzusetzen. Die Seitenwände haben acht identische Verglasungen (Y6). Die Paneele werden von oben eingesetzt. Es ist eine Unterstützung notwendig, damit jedes Element richtig in den Verglasungskanal der Schwelle passt.

Als nächstes wird die Dachverglasung eingebaut. Es gibt sieben identische Scheiben (Y7) und eine kleinere Scheibe (Y9). Alle Paneele gleiten in die Verglasungskanäle, über die Traufe und nach oben zum First. Auch hier ist Unterstützung erforderlich, um sicherzustellen, dass jedes Element richtig eingesetzt wird. Die Oberseite des Y9-Paneeels sitzt in der Verglasungsleiste unterhalb der Luke. Die unteren Teile liegen auf der Traufe auf und werden durch die Rinnen gehalten.



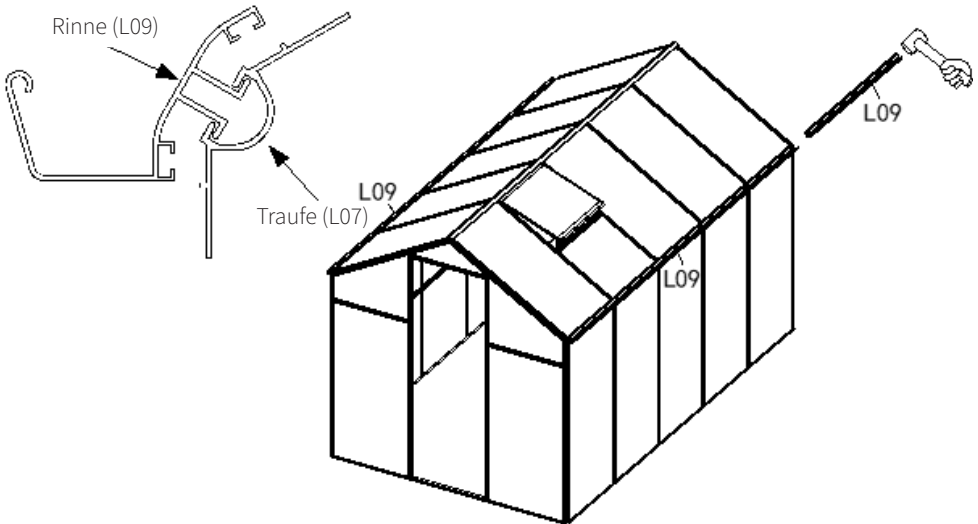
GEWÄCHSHAUSMONTAGE

DACHRINNEN

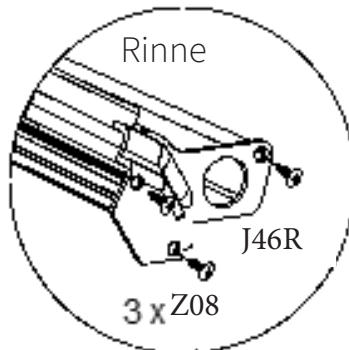
BENÖTIGTE TEILE:

Teil	Anz	Beschreibung
L09	2	Rinne
J46L/R	4	Rinnenendkappe, 2 links und 2 rechts
Z08	12	Schraube M4,2x16

Nachdem die Glaspaneele in Position sind, schieben Sie die Rinne (L09) entlang der Traufe (L07) in Position. Die Rinne wird in eine Vertiefung in der Traufe eingelegt. Verwenden Sie bei Bedarf einen weichen Holzhammer.



Fixieren Sie die vier Endkappen mit Schrauben, wenn sie in Position sind.



GEWÄCHSHAUSMONTAGE

TÜRBEFESTIGUNG

BENÖTIGTE TEILE:

Teil	Anz	Beschreibung
L14	1	Tür-Tragschiene
L11	1	Zentrale Sprosse (bereits in der Stirnwand montiert)
N/A	1	Fertige Türmontage
M01/S03	3	M6 Schrauben (bereits in L11) und Muttern
Z08	4	Schraube M4,2 x 16
J47	2	Endkappe der Türhalteschiene

ALLGEMEINE BESCHREIBUNG

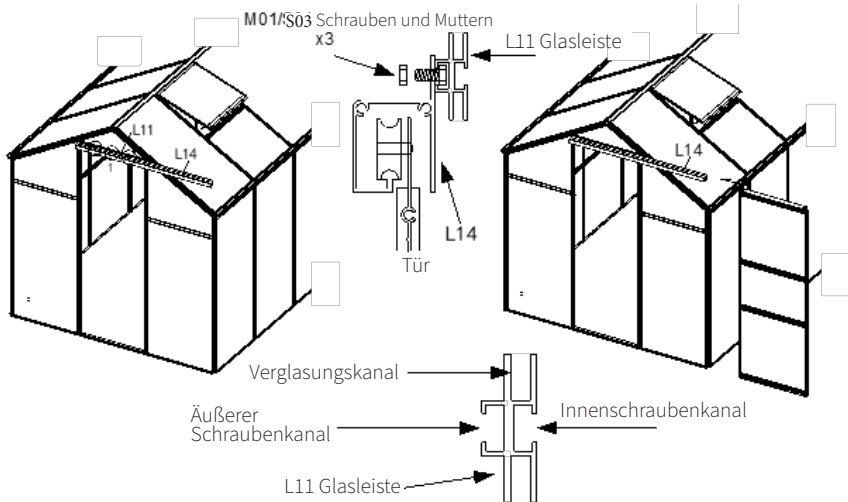
Die Schiebetür bewegt sich auf zwei Nylonrädern, die auf einer am Rahmen verschraubten Schiene oberhalb der Türöffnung laufen. Die Bewegung entlang der Schiene wird durch Kunststoffkappen begrenzt, die an den Enden der Schiene befestigt sind. Dadurch wird sichergestellt, dass die Tür nicht vom Ende der Schiene abgezogen werden kann. Der Boden der Tür liegt in der vorderen Schwelle (L10).

MONTAGE

Die Türhalteschiene (L14) ist mit drei Bohrungen versehen, so dass sie mit der mittleren Glasleiste (L11) verschraubt werden kann. Die drei erforderlichen Schrauben sind in L11 bereits montiert. Trennen Sie die Bolzen so, dass sie mit den Lochpositionen in L14 übereinstimmen. Setzen Sie L14 über die Bolzen und sichern Sie sie mit drei Muttern.

Schieben Sie die Tür auf die Schiene im Inneren von L14 und halten Sie dabei den Boden leicht von der Schwelle entfernt. Sobald die Tür in Position ist, heben Sie sie leicht an und lassen Sie sie in die Position in der Schwelle fallen. Prüfen Sie, ob sich die Tür frei bewegen kann.

Befestigen Sie die Endkappen an den Enden von L14 und sichern Sie sie mit Schrauben.



GEWÄCHSHAUSMONTAGE

BODEN

Für das Gewächshaus ist ein verzinkter Stahlboden erhältlich. Diese werden empfohlen, da sie das Gewächshaus stützen und es einfacher machen, es waagrecht und quadratisch zu halten. Sie werden an den Ecken mit Halterungen verschraubt, die gleichzeitig als Beine dienen.

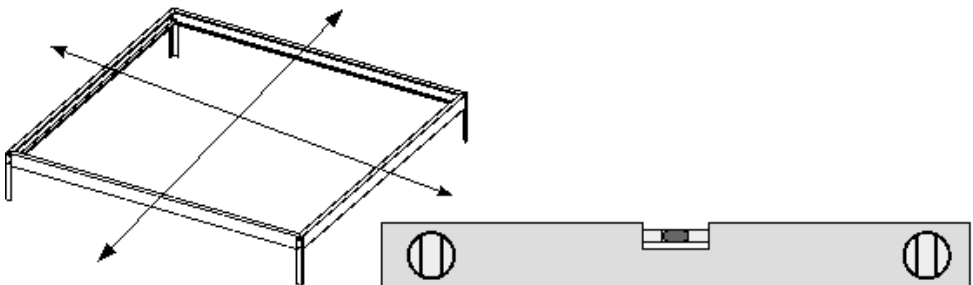
BENÖTIGTE TEILE:

Teil	Anz	Beschreibung
C	4	Sockel-Eckbein/Halterung
A1	2	Basis Balken vorne/hinten
B1	2	Basis Balken links/rechts
S03	16	Schraube M4,2 x 16
M01	16	M6 Mutter
Z08	36	Schraube M6 x 10

Legen Sie den vorderen/hinteren (A1) und den linken/rechten (B1) Balken in einem Rechteck aus. Positionieren Sie an jeder Ecke eine Halterung mit vier Schrauben und Muttern.

Es ist einfacher, die Basis auf den Kopf zu stellen und dann umzudrehen. Die Seitenbalken haben keine Ober- oder Unterseite, also positionieren Sie jeden Balken an seiner schmalen Kante mit der flachen Seite nach außen. Jedes Balkenpaar muss an den Ecken mit Hilfe der Halterungen und vier Schrauben und Muttern verschraubt werden.

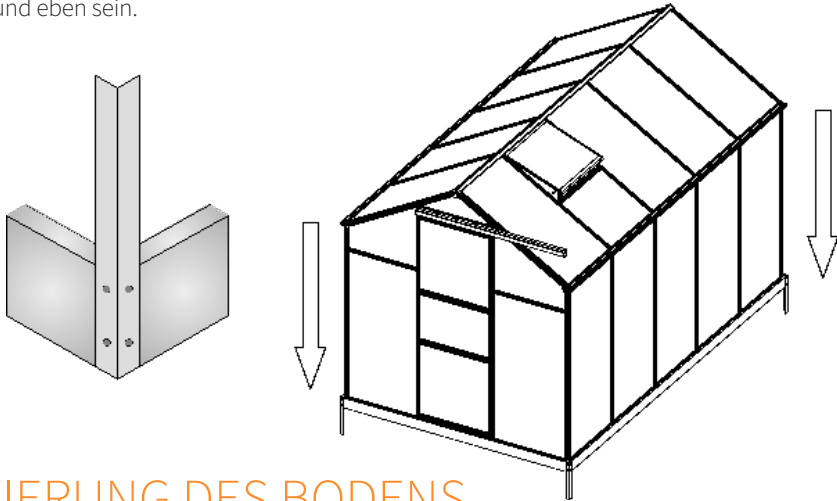
Drehen Sie es um und befestigen Sie es an der gewünschten Stelle. Vergewissern Sie sich, dass er rechtwinklig und eben ist. Positionieren Sie das Gewächshaus vorsichtig oben.



GEWÄCHSHAUSMONTAGE

BODEN

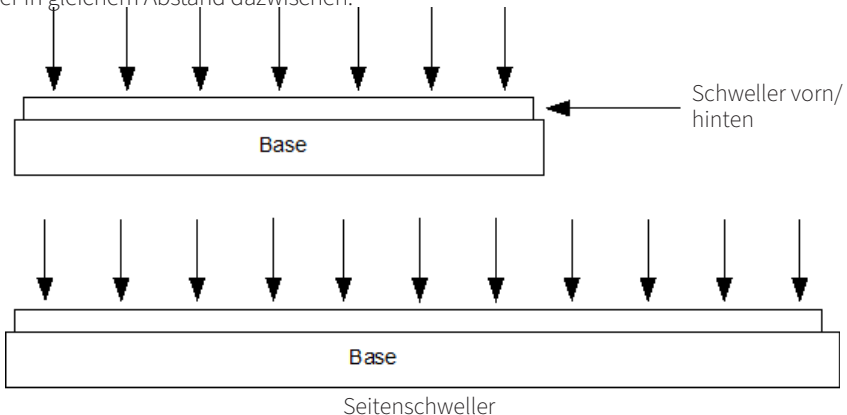
Vergewissern Sie sich, dass der Boden von vorne nach hinten und von Seite zu Seite eben ist. Wenn das Gewächshaus auf Beton oder Mauerwerk aufgestellt werden soll, muss auch dieser flach und eben sein.



FIXIERUNG DES BODENS

Sobald der Boden fixiert und das Gewächshaus oben positioniert ist, muss es unten befestigt werden. Dies wird mit Schrauben Z08 durchgeführt. Diese werden verwendet, um durch die Fensterbänke und in den Boden zu bohren. Der Boden ist aus Stahl, aber die Schrauben funktionieren trotzdem mit etwas mehr Aufwand.

Die Anzahl und Position der Schrauben ist beliebig aber es wird empfohlen, mindestens 7 Schrauben für den Vorder- und Rückbalken zu verwenden. Eine in der Mitte, eine an jedem Ende und vier in gleichem Abstand dazwischen.



Für die linken/rechten Seitenbalken werden mindestens neun Schrauben in gleichen Abständen empfohlen.

BENUTZERGUIDE

REINIGUNGSANLEITUNG

1. Die Glasscheiben mit lauwarmem Wasser abspülen.
2. Waschen Sie die Scheiben mit einer milden Seife und lauwarmem Wasser.
3. Verwenden Sie ein weiches Tuch oder einen Schwamm und waschen Sie die Scheiben mit einer Auf- und Abwärtsbewegung in der gleichen Richtung wie die Rillen.
4. Spülen Sie das Tuch oder den Schwamm ab und wechseln Sie das Wasser oft. NICHT SCHRUBBEN oder Bürsten oder Abzieher verwenden. Die Beschichtung der Glasscheiben ist empfindlich und leicht zu beschädigen.
5. Wiederholen Sie die Reinigung

FEHLERBEHEBUNG

LÖSUNGSGUIDE

WAS MACHE ICH, WENN IN MEINER BESTELLUNG TEILE FEHLEN?

Wenn ein Teil Ihrer Lieferung zu fehlen scheint, kontaktieren Sie bitte unser freundliches und hilfsbereites Kundenserviceteam innerhalb von 7 Tagen nach Erhalt.

**FÜR ALLE ANDEREN FRAGEN KÖNNEN SIE SICH AN UNSER
KUNDEN-SUPPORTTEAM WENDEN.**

SPECIFICHE

DESCRIZIONE DEL PRODOTTO

La Monster Greenhouse è una serra da giardino semplice, facile da montare, in alluminio/policarbonato. È larga 6 piedi & lunga 10 piedi.

SPECIFICHE DEL PRODOTTO

Vetratura in policarbonato da 4mm

1mm - 1.3mm Telaio in alluminio

Base in acciaio 0.8mm (opzionale)

Larghezza - 6' 0

Altezza - Apice 6' 0" Porta 5' 2" Lati 4' 2"

Lunghezza - 10' 0"

Peso - 51KG (con base)

Peso - 41.1KG (senza base)

ATTREZZATURE DI SICUREZZA RICHIESTE

1. Guanti
2. Scala a pioli
3. Cacciavite elettrico con punta Philips n.1
4. Chiave da 10 mm
5. Squadretta

Nota: Questi strumenti non sono forniti. Per assemblare questa serra sono necessarie almeno due persone.

La responsabilità di Monster Group UK Limited sarà limitata al valore commerciale del prodotto.

SPECIFICHE

CARATTERISTICHE DEL PRODOTTO

- A. Telaio in alluminio zincato
- B. Doppia parete in vetro policarbonato
- C. Trave profilata a trave profilata in alluminio per una maggiore resistenza e rigidità
- D. Sistema senza clip che mantiene la vetratura in posizione sicura
- E. Bretelle orizzontali nelle pareti laterali e nel tetto per fornire maggiore rigidità
- F. Tetto apribile per lo sfiato
- G. Porta scorrevole
- H. Base in acciaio zincato (opzionale)
- I. Tetto apribile & grondaie



SPECIFICHE

CONTENUTO

Quando si disimballa per la prima volta la serra, controllare ogni parte in questo elenco per assicurarsi che siano tutte presenti. Ogni parte è chiaramente etichettata. Se ne manca qualcuna, contattaci prima di tentare il montaggio.

Parte	Quantità	Descrizione
J45	2	Tappo estremità superiore
J46L	2	Tappo estremità grondaia (sinistra)
J46R	2	Tappo estremità grondaia (destra)
J47	2	Tappo estremità della guida della porta
L10	1	Davanzale anteriore
L11	1	Centro barra per vetro orizzontale della parete anteriore
L12A	4	Traversa orizzontale
L13	1	Davanzale posteriore
L14	1	Supporto della porta
L15	1	Barra porta di vetro, superiore
L16	2	Barra porta di vetro, centrale
L17	1	Barra porta di vetro, inferiore
L18	2	Barra porta di vetro, sinistra e destra
L19	2	Barra per vetro dello sfiato, sinistra e destra
L20	1	Barra per vetro dello sfiato superiore
L21	1	Barra per vetro per sfiato inferiore
LO1A	4	Vetro verticale esterno per parete anteriore e posteriore sinistra e destra
LO1B	4	Barra per vetro per tetto inclinato (2 anteriori + 2 posteriori)
LO2A	8	Centro per vetro per pareti laterali
LO2B	6	Centro barra vetratura tetto, lato liscio
LO2C	1	Interno barra del pannello del tetto, lato finestra
LO2D	1	Interno barra del pannello del tetto, lato finestra
LO3B	6	Barra vetratura generale
LO4A	2	Barra vetratura verticale interna parete anteriore e posteriore sinistra
LO4B	2	Barra vetratura verticale interna parete anteriore e posteriore destra

SPECIFICHE

CONTENUTO

Parte	Quantità	Descrizione
LO5A	1	Braccio parete orizzontale posteriore
LO5B	2	Muro anteriore orizzontale sinistro e destro
LO6	1	Tetto superiore
LO7	2	Pezzo di sopra barra pannello laterale
LO8A	2	Davanzale della parete laterale
LO9	2	Grondaia
MO1	46	Dadi M6
S03	46	Bullone M6
S28	2	Bullone M4
M02	2	Dado M4
D47	6	Piastra di supporto angolare
A01	1	Finestra
A03	1	Supporto finestra
Y1	2	Pannello vetri superiore parete anteriore e posteriore destro
Y10	1	Pannello vetro sfiato
Y11	1	Pannello vetro centrale
Y12	2	Pannello vetro porta superiore e inferiore
Y2	5	Pannello vetri inferiore parete anteriore e posteriore
Y3	1	Centro del pannello superiore vetro parete posteriore
Y4	2	Pannello vetro superiore lato anteriore e posteriore sinistro
Y5	1	Centro del pannello superiore vetro parete anteriore
Y6	10	Pannello vetro parete laterale
Y7	9	Pannello tetto (grande)
Y8	0	Non utilizzato
Y9	1	Pannello tetto (piccolo)
Z08	168	Vite autotrafilata
C	4	Gambe/supporto angolari base
A1	2	Base fronte /trave posteriore
B1	2	Base Sinistro /trave destro

AVVISO DI SICUREZZA

PRATICHE DI LAVORO SICURE

Leggere le Pratiche di lavoro sicure per prevenire lesioni o danni alla serra.

Assicurarsi di aver letto e compreso a fondo il manuale di istruzioni e i consigli di sicurezza prima di assemblare questo prodotto.

Per assemblare questa serra sono necessarie almeno due persone.

Accertarsi che questa serra sia gestita e assemblata secondo queste istruzioni.

Non tentare di montare questa serra durante una giornata ventosa.

Assicurarsi che questa serra sia montata ed eretta su una superficie piana. Assicurarsi che questo prodotto sia assemblato in modo sicuro.

Assicurarsi che questo prodotto sia installato in un luogo sicuro. Questo prodotto deve essere ancorato al suolo.

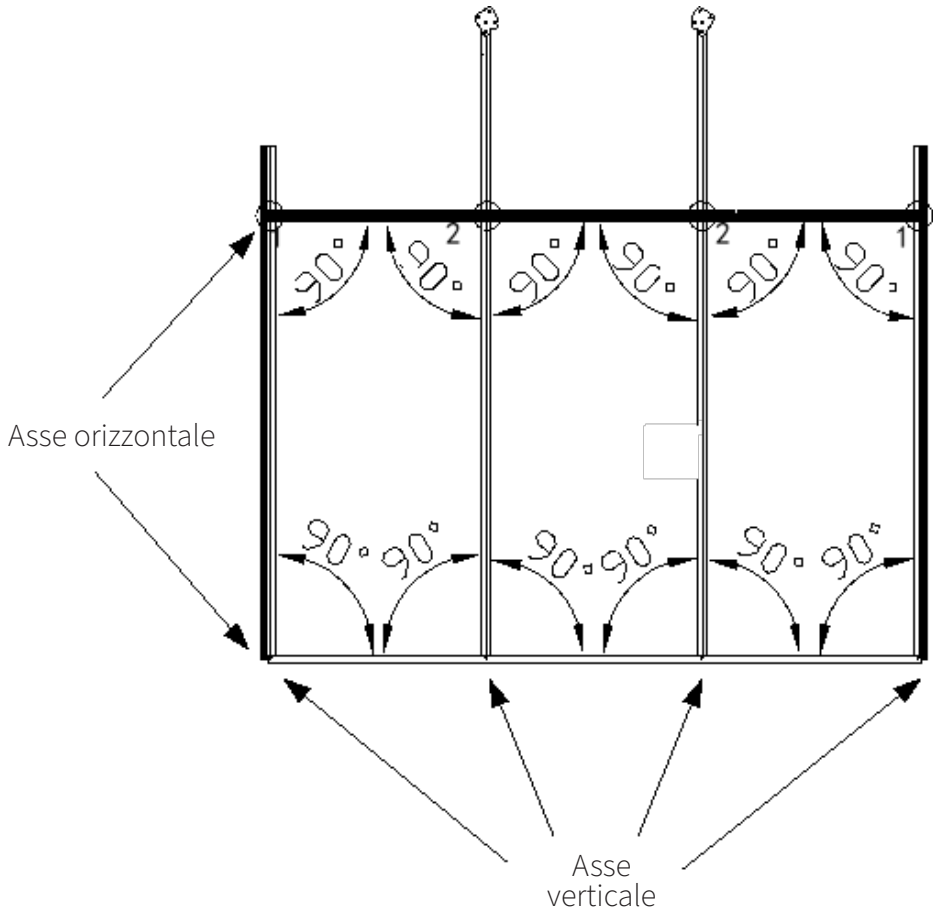
Non utilizzare questo prodotto per scopi diversi da quelli previsti. Assicurarsi che tutti gli altri materiali utilizzati con questo prodotto siano conformi allo standard.

GUIDA UTENTE

LINEE GUIDA DI ASSEMBLAGGIO

La serra è formata da un numero di sezioni diverse. Il metodo di assemblaggio principale è lo stesso per tutte le sezioni. Disporre i componenti sul pavimento nell'ordine in cui verranno assemblati. Studia i disegni e assicurati di capire come verrà assemblata ogni componente.

Ad eccezione del tetto, tutti gli angoli sono ad angolo retto (90 gradi). La base della serra deve essere piana e orizzontale. Tutti i montanti saranno quindi verticali. Ciò è fondamentale per garantire che i pannelli vetrati si adattino correttamente.



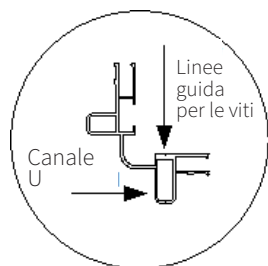
GUIDA UTENTE

VITI AUTOFILATRICI AUTOFORANTI

Non ci sono fori per viti preforati nel telaio. Per questo motivo vengono utilizzate viti autopercoranti. Queste taglieranno con facilità il telaio in alluminio. Si consiglia di utilizzare un cacciavite elettrico, preferibilmente a velocità variabile.

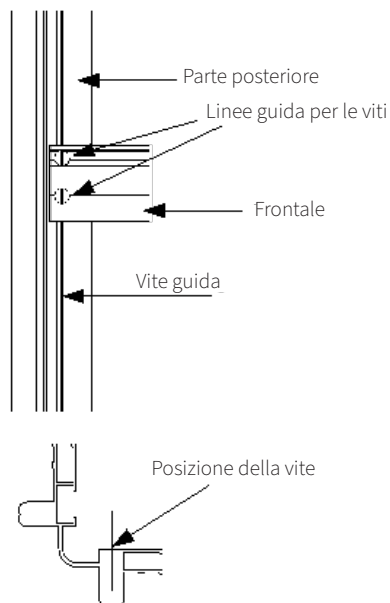
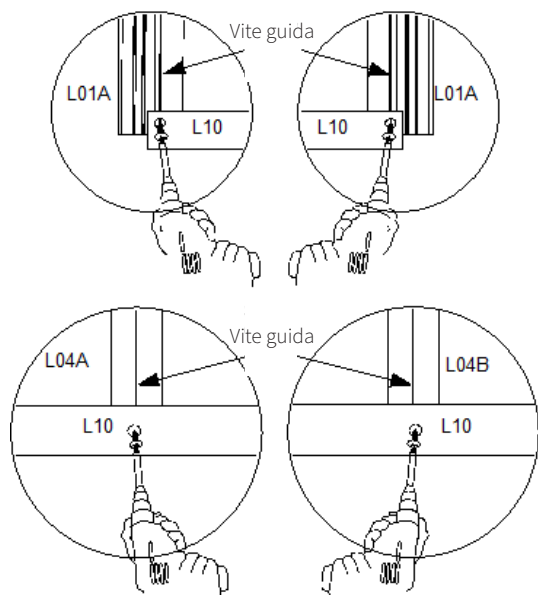
Nei punti in cui devono essere utilizzate le viti, è stata tagliata una linea guida nel componente in alluminio.

Sul retro del componente è presente un canale a forma di U allungata per accogliere la vite (vedi diagramma). Questo è vero per quasi tutti i fissaggi a vite. In caso contrario, i dettagli su come procedere verranno forniti nelle istruzioni.



Ogni pezzo da fissare avrà uno o due fori per viti preforati. Posizionato questo pezzo, la linea di guida della vite sarà visibile attraverso i fori. Con un cacciavite elettrico, forare le viti nella parte posteriore, usando i fori e la linea guida per garantire la posizione corretta.

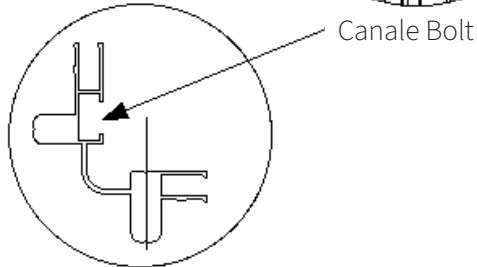
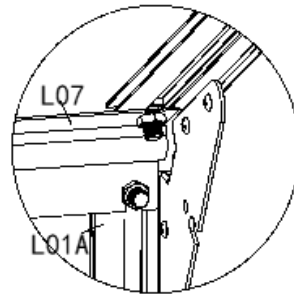
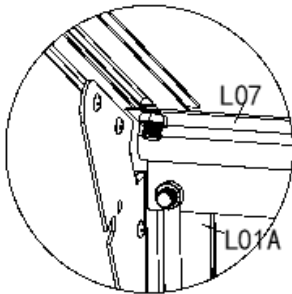
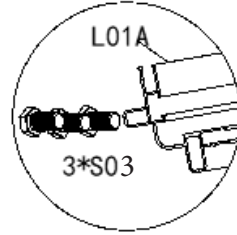
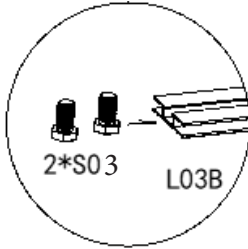
Esempio di utilizzo delle viti autopercoranti



GUIDA UTENTE

DADI E BULLONI

Molti dei componenti sono fissati con dadi e bulloni.



Esempi di utilizzo dei canali dei bulloni

Quando si fissano i componenti con i dadi (M01) e i bulloni (S03), il bullone verrà inserito nel canale del bullone. Il componente da fissare verrà posizionato sopra il bullone sporgente. Un dado verrà quindi messo sul bullone e serrato fissando il componente. In alcuni casi si dovranno inserire bulloni extra nel canale per un uso successivo. Ciò è importante in quanto verranno utilizzati per proteggere i componenti più avanti. Per impedire a questi bulloni di muoversi, è possibile avvitarli e serrarli a mano. In caso contrario, i dettagli verranno forniti nelle istruzioni.

GUIDA UTENTE

PANNELLI DI VETRO

I pannelli sono etichettati e ricoperti da una pellicola protettiva, bianca su un lato e trasparente sull'altro.

I pannelli di vetro sono trattati su un lato per la protezione dai danni causati dalla luce solare (questa non deve essere scambiata per una pellicola protettiva). Questo lato trattato deve essere rivolto verso l'esterno per proteggere il corpo dei pannelli vetrati.

Quando si monta un pannello, staccare la pellicola in una striscia di 5 cm attorno al pannello su entrambi i lati. I pannelli devono essere montati con il lato bianco verso l'esterno. Possono essere utilizzati come distanziatori per alcuni telai, ad es. Montanti per vetro verticali interne della parete anteriore e posteriore.

I canali dei vetri hanno una profondità di 10 mm e i pannelli devono essere fessurati fino in fondo a questo canale.

MONTAGGIO SERRA

PARETE ANTERIORE

PARTEI NECESSARIE:

Parte	Qtà	Descrizione
L01A	2	Barre vetrate verticali esterne parete anteriore sinistra e destra
L01B	2	Vetrate per tetto inclinato
L03B	2	Vetrate generali
L04A	1	Vetrate verticali interne parete sinistra
L04B	1	Vetrate verticali interne parete anteriore destra
L05B	2	Braccio orizzontale parete anteriore sx e dx
L11	1	Centro della barra per vetro orizzontale della parete anteriore
L10	1	Davanzale anteriore
Y1	1	Pannello di vetro superiore parete anteriore dx
Y2	2	Pannello di vetro inferiore parete anteriore
Y5	1	Pannello di vetro superiore parete anteriore centro
Y4	1	Tomaia parete anteriore pannello sinistro
D47	3	Piastra di supporto angolare
Z08	24	Vite
S03	9	Bullone M6
M01	9	Dado M6

DESCRIZIONE GENERALE

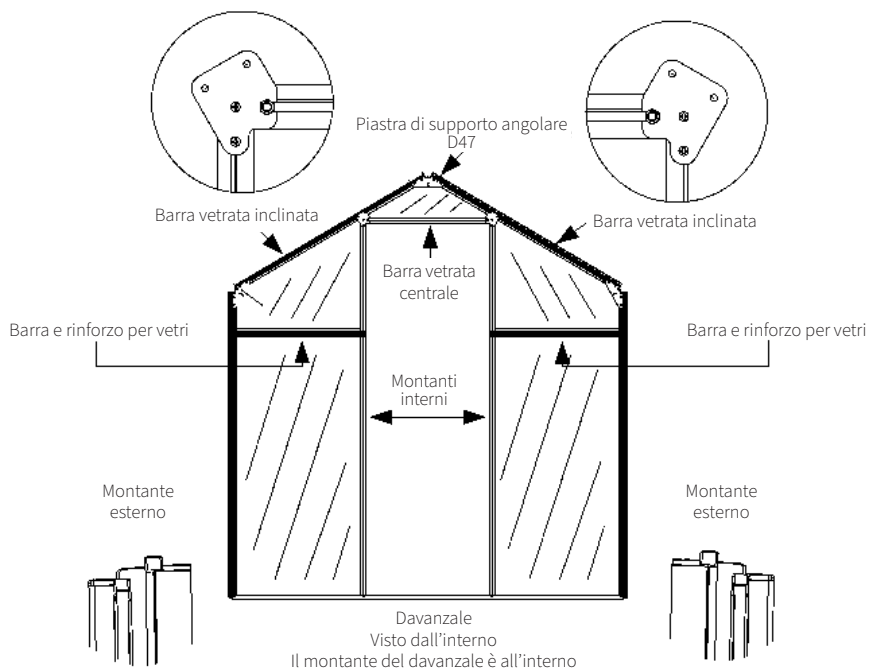
La parete anteriore è composta da un davanzale (L10), 2 montanti esterni (L01A), 2 montanti interni (L04A e B), 2 barre per vetri (L03B), 2 controventi (L05B), 2 montanti per vetro per tetto inclinato (L01B) e una barra per vetro centrale (L11).

Inizia posando tutti i componenti sul pavimento. Assicurati di avere tutti i componenti e di comprenderne la posizione e l'orientamento.

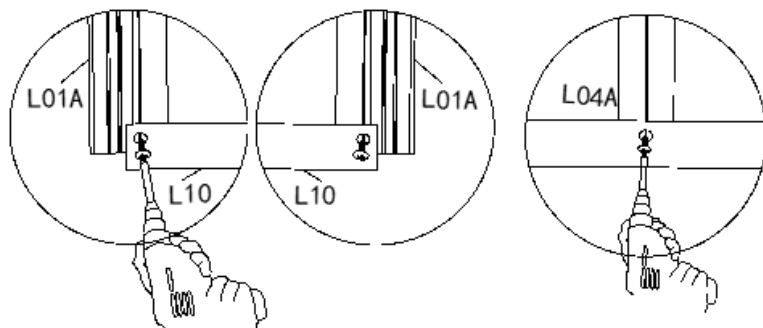
Le pareti anteriore e posteriore sono abbastanza piccole e leggere da poter essere montate sotto copertura (ad esempio in un garage) e trasportate nel luogo di installazione previsto.

MONTAGGIO SERRA

PARETE ANTERIORE



1. Iniziare attaccando 1 montante esterno (L01A) al davanzale con una vite, entrambi i lati lo faranno. Il supporto sul davanzale sarà all'interno. Assicurarsi che i montanti siano nella direzione corretta.

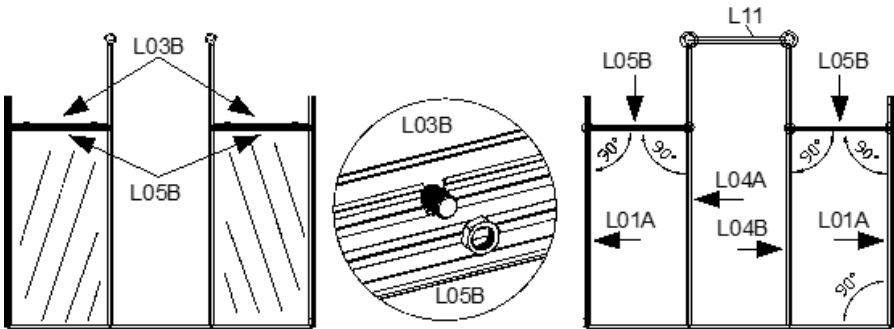


2. Inserire un pannello di vetro inferiore (Y2) e utilizzarlo come distanziatore per individuare il montante interno (L04A) su quel lato.
3. Fissare il montante interno con una vite. Accertarsi che la fessura nella staffa sulle facce superiori sia verso l'interno.
4. Ripetere per l'altro lato.

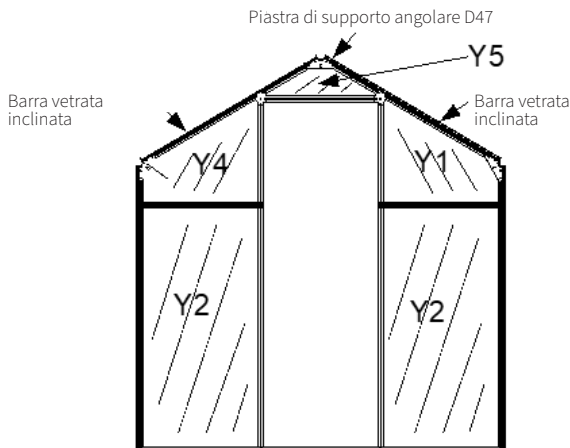
MONTAGGIO SERRA

PARETE ANTERIORE

5. Inserire 2 viti M6 in ciascuna delle 2 montanti per vetro (L03B). Posizionare una barra per vetro sopra ciascuno dei 2 pannelli di vetro inferiore.
6. Inserire una staffa orizzontale (L05B) a uno dei montanti per vetro e, dopo aver regolato la posizione dei bulloni, sollevare in posizione. Mettere un dado su ciascuno dei bulloni e serrare a mano.
7. Ripetere per gli altri pannelli vetriati.



8. Fissare ciascun supporto con una vite a ciascuna estremità ma non serrare completamente.
9. Verificare che il pannello a parete sia alla giusta angolazione. Stringere le viti e i 4 dadi.
10. Inserire e serrare una seconda vite in ciascuna estremità di entrambe le parentesi graffe.
11. Inserire tre bulloni nel canale esterno della barra per vetro centrale (L11) per un uso successivo. Inserire due bulloni nel canale interno dei bulloni e utilizzarli per fissare la barra tra le due staffe sulla Parte superiore dei montanti interni.
12. Inserire i tre pannelli di vetro superiori (Y1, Y4 e Y5) in posizione.

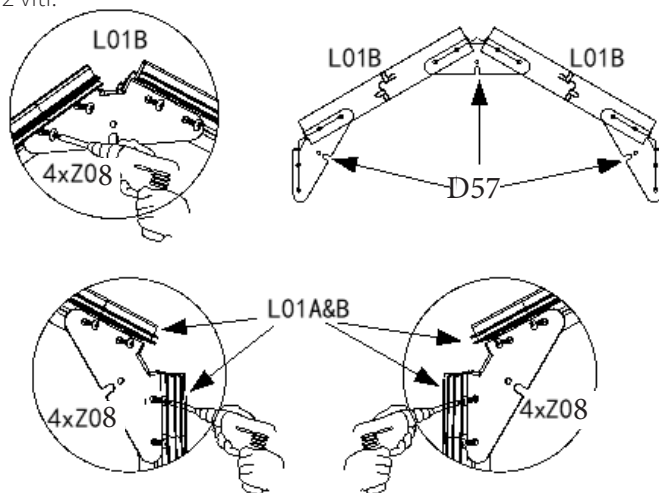


Davanzale
Visto dall'interno, il montante del davanzale è all'interno

MONTAGGIO SERRA

PARETE ANTERIORE

13. Posizionare le 2 montanti per vetro del tetto inclinato (L01B) sulla Parte superiore dei pannelli di vetro superiore. Fissarli in posizione con 3 piastre di supporto angolari (D47) usando 12 viti.



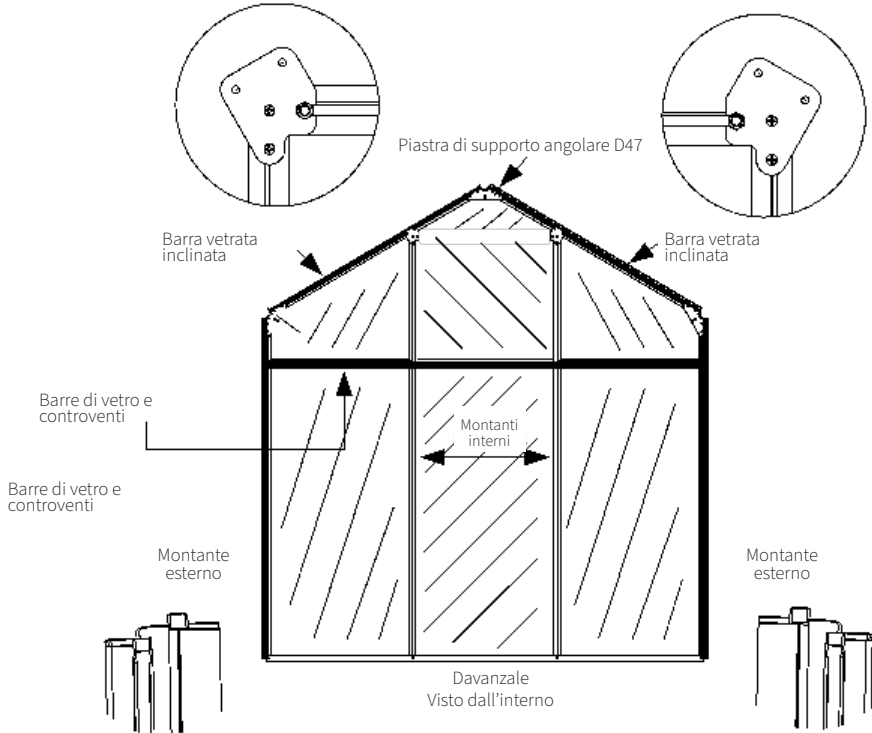
PARETE POSTERIORE

PARTEI NECESSARIE:

Parte	Qtà	Descrizione
L01A	2	Montanti per vetro verticali esterne della parete posteriore sinistra e destra
L01B	2	Barra del tetto obliqua sinistro & destro
L03B	3	Barra per vetro generale
L04A	1	Barra per vetro verticale interna della parete posteriore sinistra
L04B	1	Barra per vetro verticale interna della parete posteriore destra
L05A	1	Tutore orizzontale della parete posteriore
L13	1	Davanzale posteriore
Y1	1	Pannello vetro superiore parete posteriore destro
Y2	3	Pannello inferiore della parete posteriore
Y3	1	Centro pannello superiore vetratura parete posteriore
Y4	1	Pannello vetrato superiore parete posteriore sinistro
D47	3	Piastra di supporto angolare
Z08	24	Vite
S03	6	Bullone M6
M01	6	Dado M6

MONTAGGIO SERRA

PARETE POSTERIORE



DESCRIZIONE GENERALE

Come per la parete anteriore, la parete posteriore è formata da un davanzale, 2 montanti esterni, 2 montanti interni, 2 montanti per vetro inclinate del tetto e 3 elementi generali montanti per vetro. Questa volta, tuttavia, esiste solo 1 braccio che attraversa l'intera larghezza del muro. Posare tutti i componenti sul pavimento. Assicurarsi di avere tutti i componenti e di comprenderne la posizione e l'orientamento.

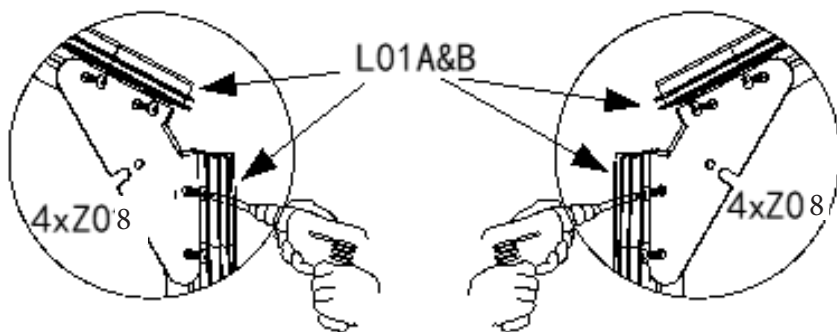
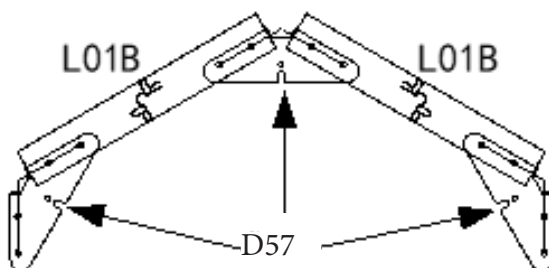
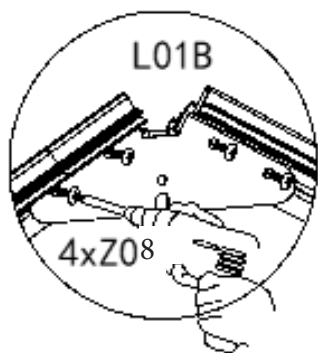
MONTAGGIO

1. Iniziare attaccando 1 montante esterno al davanzale con una vite su entrambi i lati lo faranno. Assicurarsi che i montanti siano nella direzione corretta.
2. Inserire un pannello di vetro inferiore e utilizzarlo come distanziatore per individuare il montante interno su quel lato.
3. Fissare il montante interno con una vite.
4. Ripeti per l'altro lato.
5. Inserire il pannello di vetro centrale.
6. Inserire 2 viti M6 in ciascuna delle 3 montanti per vetro (L03B). Posizionare una barra per vetro sopra ciascuno dei 3 pannelli di vetro inferiori.
7. Inserire i 3 pannelli di vetro superiori.

MONTAGGIO SERRA

PARETE POSTERIORE

- Inserire la staffa orizzontale (L05A) e, dopo aver regolato la posizione dei bulloni, sollevarla in posizione. Mettere un dado su ciascuno dei bulloni e serrare a mano.
- Fissare il supporto con una vite su ciascuna estremità ma non serrare completamente.
- Verificare che il pannello a parete sia nell'angolo corretto.
- Stringere le viti esterne e i 6 dadi.
- Fissare il supporto ai montanti interni con 1 vite ciascuno.
- Ancora una volta verificare che tutto sia angolato correttamente, quindi fissare il supporto ai 4 montanti con altre 4 viti.
- Posizionare le 2 montanti per vetro del tetto (L01B) sulla parte superiore dei pannelli di vetro superiore. Fissarli in posizione con 3 supporti angolari (D57).



MONTAGGIO SERRA

PARETI LATERALI – SINISTRA E DESTRA

PARTEI NECESSARIE:

Parte	Qtà	Descrizione
L02A	8	Barra pannello vertical muro laterale
L08A	2	Side muro davanzale
L07	2	PareteSide gronda
L12A	2	Paretelato orizzontale controventatura
M01	24	Dadi M6
S03	24	M6 Bullone
Z08	32	Vite M4.2x16
Y6	10	Pannello per vetri

DESCRIZIONE GENERALE

Ognuno consiste di soglia (L08A) alla base, gronde (L07) in cima, quattro barre pannelli verticali interni (L02A) e un trave a croce (L12A). Non hanno montanti esterni in quanto questi sono formati dai travi verticali dei muri frontali e posteriori. Inoltre hanno solo cinque pannelli trasparenti ognuno (Y6).

Le tre parti orizzontali delle pareti laterali (davanzale, controvento e cornicione) collegano la parete anteriore a quella posteriore. Queste sono fissate con dadi e bulloni. Ne serviranno tre per ogni angolo per un totale di dodici.

Anche la grondaia deve essere imbullonata ai montanti per vetro del tetto in questo processo. Sarebbe una buona idea installare tutti i dadi e i bulloni necessari per il tetto prima di fare ciò. Ne saranno tre per ogni barra da pannello, quindi dodici in totale.

Preparazione della parete Anteriore/Posteriore

Iniziare installando tre bulloni nel canale dei bulloni di ciascun montante esterno (L01A) della parete anteriore e posteriore. Sarebbe una buona idea inserire un dado su ciascun bullone prima dell'installazione. Sarà necessario un bullone nella parte superiore, uno nella parte inferiore e uno nel mezzo, quindi far scorrere i bulloni in posizione approssimativa in posizione e serrare i dadi serrandoli a mano per impedire che scivolino fuori.

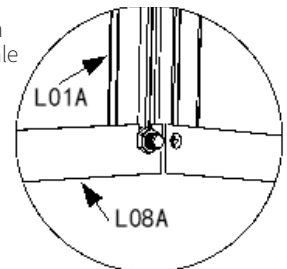
Installare poi 3 bulloni in ogni barra pannello del tetto (L01B). Un bullone sarà necessario in cima, uno in fondo & uno nel mezzo, quindi far scivolare i bulloni circa nella posizione giusta e stringere i dadi con le dita per fermarli.

Assemblaggio delle Pareti Laterali

Per iniziare a mettere su le pareti laterali, le pareti anteriore e posteriore dovranno essere tenute in posizione verticale alla distanza appropriata e con l'orientamento corretto. Posizionare le componenti di ciascuna parete laterale su entrambi i lati. Entrambe le parti sono uguali, quindi non importa cosa viene fatto per primo.

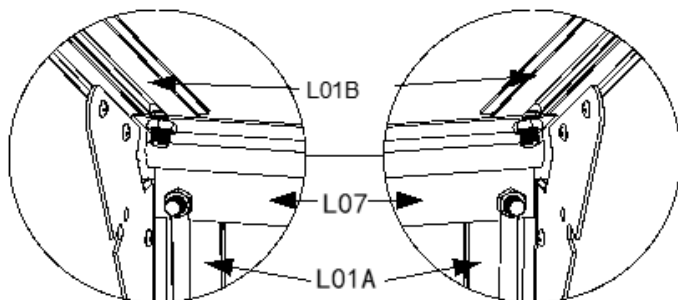
Collegare il davanzale (L08A) ai montanti esterni anteriori e posteriori (L01A) utilizzando il dado e il bullone già installati.

Collegare la grondaia (L07) ai montanti esterni anteriori e posteriori (L01A) utilizzando il dado e il bullone già installati. Collegare anche i montanti per vetro del tetto (L01B) alla grondaia usando il dado e il bullone già installati nelle barre del tetto.

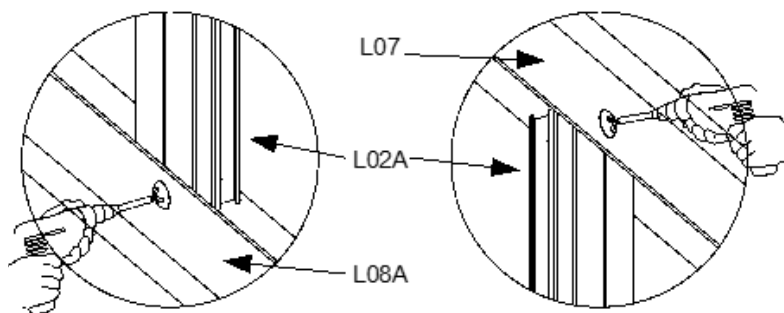


MONTAGGIO SERRA

PARETI LATERALI - SINISTRA E DESTRA

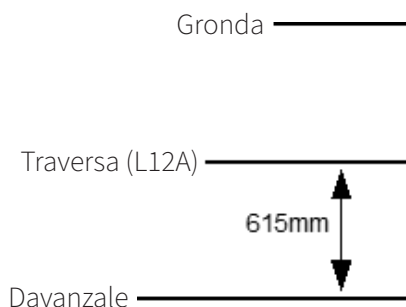


Attaccare la barra per vetro verticale (L02A) al davanzale e alle grondaie usando una singola vite ad ogni estremità.



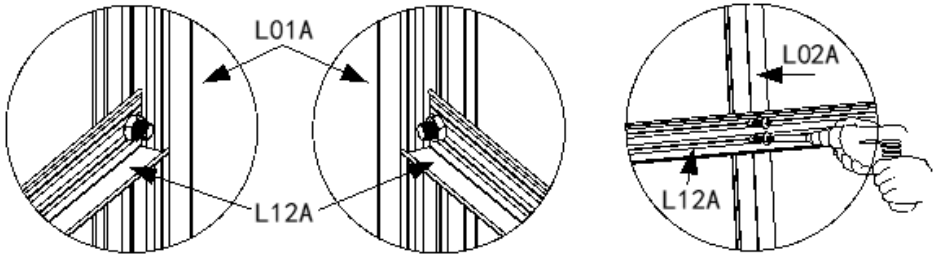
Accertarsi che tutti gli angoli interni siano a 90°.

Fissare la traversa orizzontale (L12A) ai montanti verticali (L01A), usando i bulloni già installati, a un'altezza di 615 mm dalla parte inferiore del montante alla parte inferiore della staffa. Fissare la traversa alla barra per vetro centrale (L02A) con due viti.



MONTAGGIO SERRA

PARETI LATERALI - SINISTRA E DESTRA



Ripetere per l'altro lato.

MONTAGGIO DELLO SFIATO

Lo sfiato è composto da quattro montanti per vetro, un pannello di vetro e un supporto per finestra (A01). I montanti per vetro sono tenute insieme con quattro viti. Le cerniere della finestra in alto (dalla sporgenza del tetto (L06)) con la finestra in basso. Il supporto della finestra è fissato con due dadi e bulloni M4.

PARTEI NECESSARIE:

Parte	Qtà	Descrizione
L19	2	Montante sfiato, sinistra e destra
L20	1	Montante sfiato, superiore
L21	1	Montante sfiato, inferiore
A01	1	Supporto finestra
Y10	1	Pannello vetro di sfiato
Z08	4	Vite M4.2x16
S28	2	Vite M4x10
M02	2	Dado M4

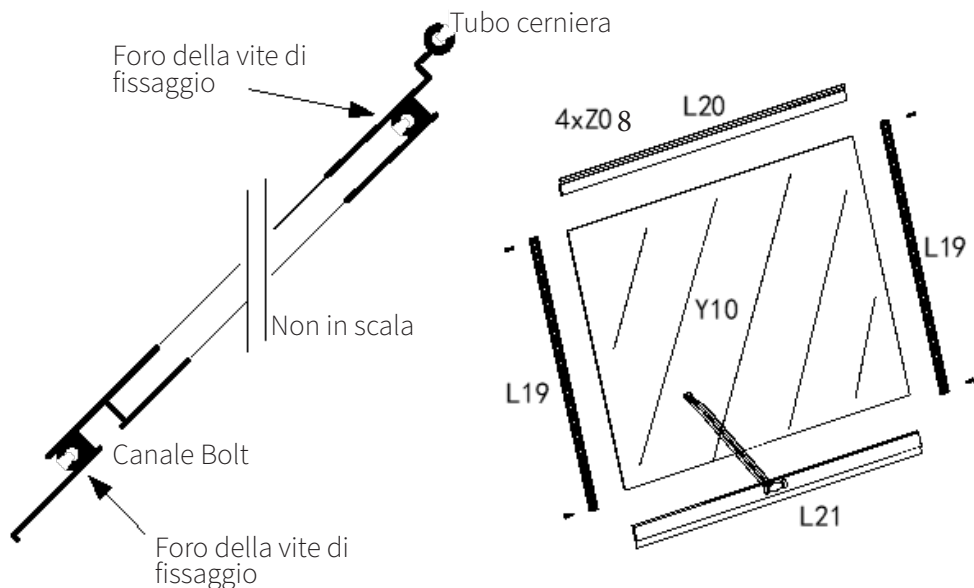
Inserire il pannello di vetro (Y10) nella barra per vetro superiore (L20). Il tubo della cerniera dovrebbe essere più in alto (vedi disegno).

Collegare due montanti per vetro laterali (L19), con il lato increspato più in alto, usando le viti. Inserire due bulloni (S28) nel relativo canale nella barra per vetro inferiore (L21).

Fissare la barra per vetro inferiore, con il canale del bullone rivolto verso il basso, utilizzando 2 viti (vedi disegno). Montare il finestrino restando sui due bulloni e fissarlo con due dadi.

MONTAGGIO SERRA

MONTAGGIO DELLO SFIATO



MONTAGGIO DEL TETTO

PARTEI NECESSARIE:

Parte	Qtà	Descrizione
L06	1	Linea del tetto
L02B	6	Centro barra vetrata tetto, lato liscio
L02C	1	Barra interno pannello tetto, lato finestra
L02D	1	Barra interno pannello tetto, lato finestra
L12A	2	Traversa orizzontale tetto
L03B	1	Montante generale
Z08	32	Vite M4.2x16
A03	1	Staffa per finestra
M01/S03	4	Dadi e bulloni M6
Y7	9	Pannello vetro del tetto
Y9	1	Pannello vetro del tetto lato sfiato
J45	2	Calotta terminale

MONTAGGIO SERRA

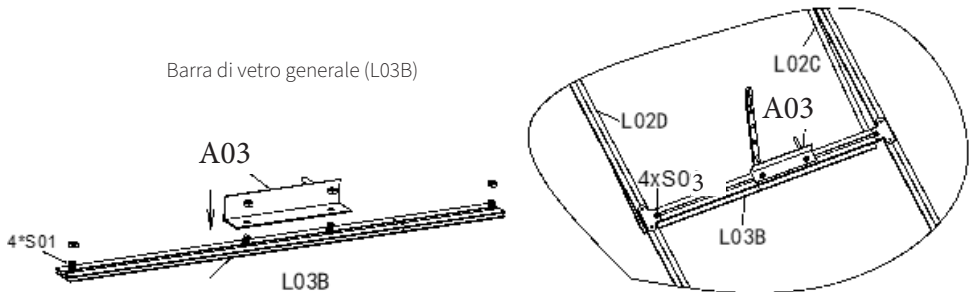
MONTAGGIO DEL TETTO

DESCRIZIONE GENERALE

Il tetto consiste di un colmo (L06) che scorre dall'apice frontale fino a quello nel retro, quattro barre (L02B) che scorrono sulla sinistra del colmo fino alle gronde, quattro barre (L02Bx2/L02C/L02D) che scorrono sul lato destro (finestra) dal colmo fino alla gronda e due barre a croce (L12A) che scorrono da fronte a retro attraverso il centro di ogni lato.

Questo, effettivamente divide il tetto in dieci sezioni. Nove delle quali sono uguali. La decima (la seconda a destra quando osservata dal fronte) contiene la finestra. Questa sezione ha un pannello diverso (Y9). Gli altri nove hanno pannelli identici (Y7).

Il Pannello (Y9) è provvisto con una barra pannello generale (L03B). Questo fornisce solo una seduta per il bordo del pannello ma trattiene anche la staffa della finestrella (A03). La barra pannello (L03B) è assicurata a ogni estremità alla barra pannello interna (L02C/D) con le staffe già assicurate alle barre.



MONTAGGIO SERRA

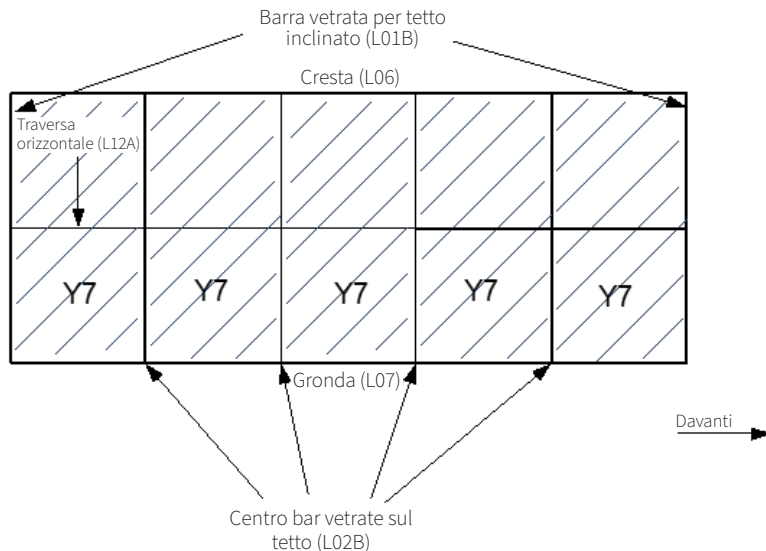
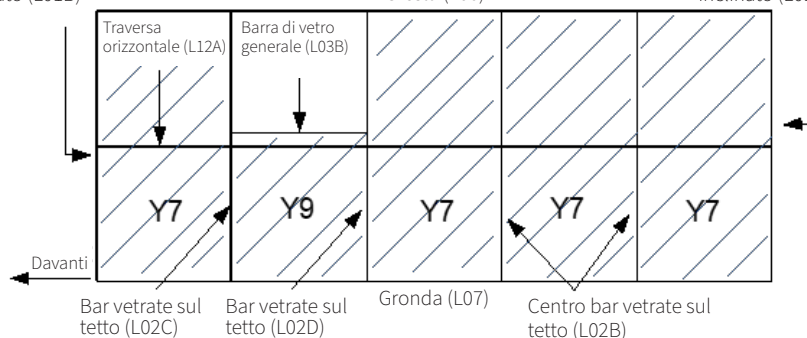
MONTAGGIO DEL TETTO

MAGGIORI COMPONENTI DEL TETTO

Barra vetrata per tetto
inclinato (L01B)

Cresta (L06)

Barra vetrata per tetto
inclinato (L01B)

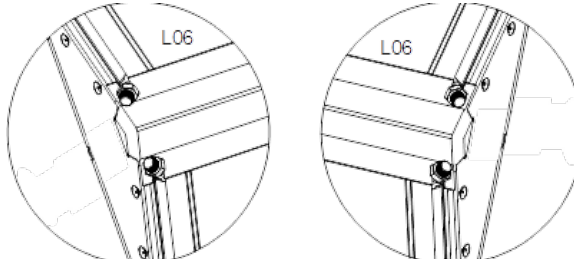


Schema generale dei principali componenti del tetto.

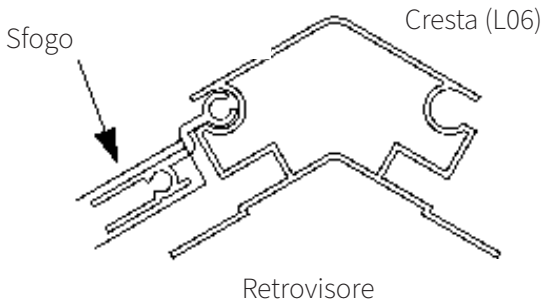
MONTAGGIO SERRA

MONTAGGIO DEL TETTO

Fissare l'estremità anteriore della linea del tetto ai montanti per vetro del tetto usando i dadi e i bulloni installati precedentemente.



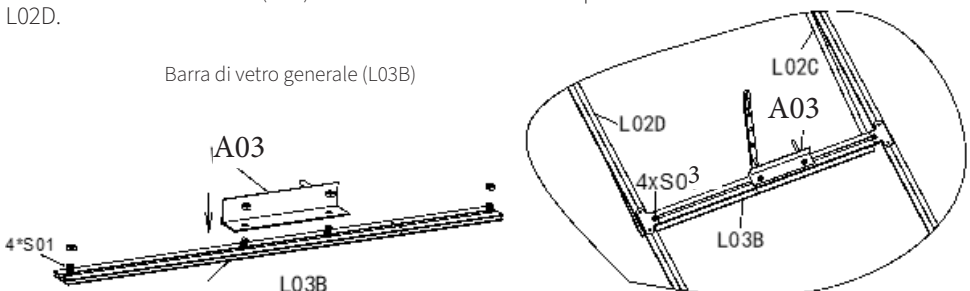
Far scorrere il pannello di sfogo nella cresta dalla parte posteriore sul lato destro (visto da davanti).



Collega l'estremità posteriore della linea del tetto ai montanti per vetro del tetto usando i dadi e i bulloni installati in precedenza.

Attaccare le barre pannelli (L02C/L02D) alle gronde e al colmo sul lato destro usando le viti, questo sosterrà la fiestra. Attaccare la barra pannello (L02B) alla gronda e al colmo sul lato sinistro usando le viti. Attaccare due barre pannelli (L02B) alla gronda e al colmo sul lato destro usando le viti.

Scorrere quattro bulloni (S03) nella barra pannello generica (L03B). Usare i due interni per attaccare il fermo finestra (A03). Usare i due bulloni esterni per attaccare L03B alle staffe L02C e L02D.



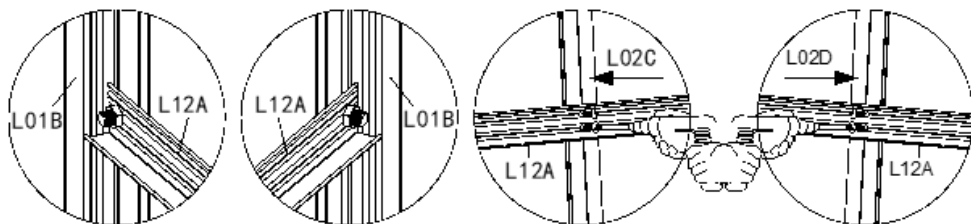
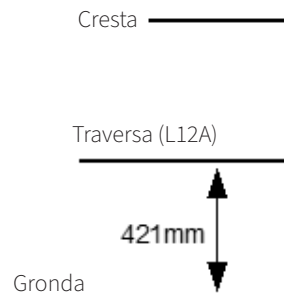
MONTAGGIO SERRA

MONTAGGIO DEL TETTO

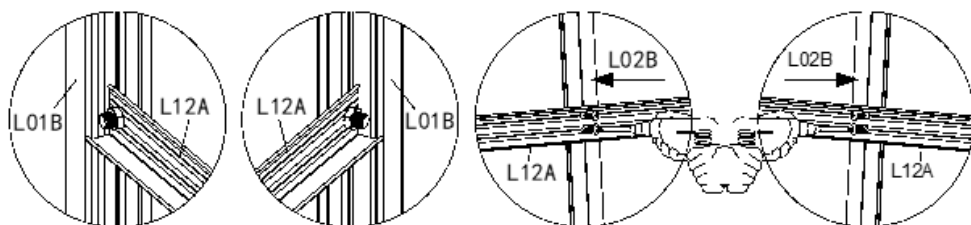
Collegare i due supporti trasversali orizzontali (L12A) ai montanti per vetro del tetto anteriore e posteriore (L01B) utilizzando i bulloni aggiuntivi installati in precedenza. La parte inferiore del montante dovrebbe trovarsi a 421 mm dall'estremità dei montanti per vetro.

Fissare le staffe trasversali orizzontali ai montanti per vetro centrali (L02B/L02C/L02D) usando due viti. Notare ci è un L02B anche sul lato destro.

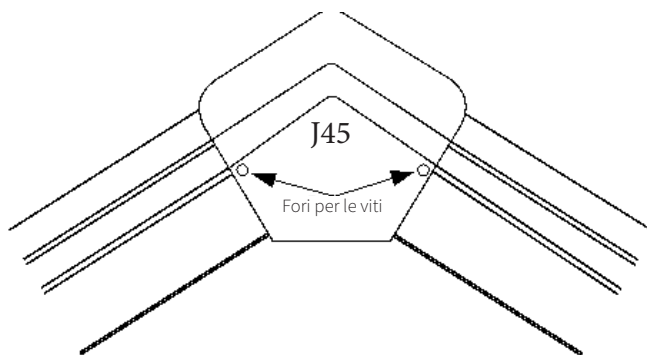
Completare il tetto installando i due cappucci terminali della linea del tetto (J45) e fissarli con le viti.



VISTA INTERNA (LATO DESTRO)



VISTA INTERNA (LATO SINISTRO)



MONTAGGIO SERRA

MONTAGGIO DELLA PORTA

PARTI NECESSARIE:

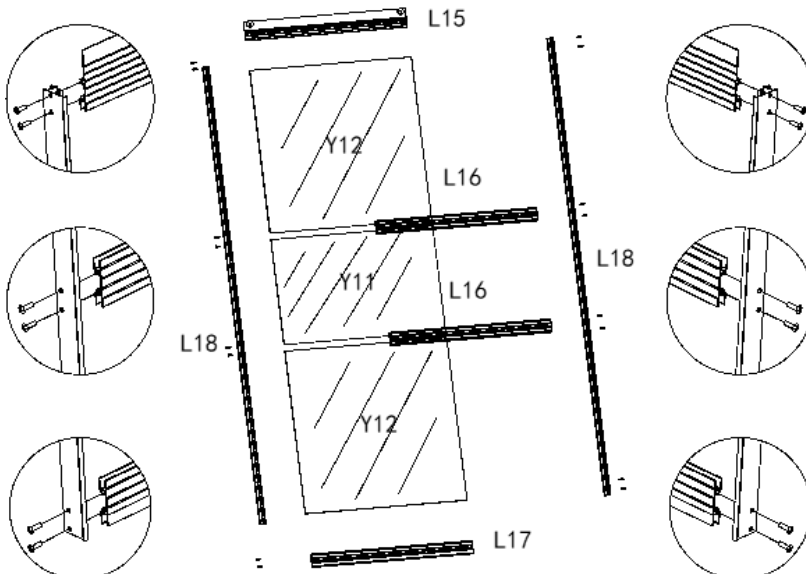
Parte	Qtà	Descrizione
L15	1	Montanti per vetro porta, superiore
L16	2	Montanti per vetro porta, centro
L17	1	Montanti per vetro porta, inferiore
L18	2	Montanti per vetro porta, sinistra e destra
Y11	1	Pannello per vetratura porta, centro
Y12	2	Pannello per vetratura porta, superiore e inferiore
Z08	16	Vite autopercorante M4.2x16

DESCRIZIONE GENERALE

La porta è composta da due montanti per vetri verticali (L18), quattro montanti per vetri orizzontali (L15 / L16 / L17) e 3 pannelli di vetro. Questi sono tenuti insieme con sedici viti.

MONTAGGIO

1. Il supporto su L18 e le ruote in nylon su L15 devono essere rivolti verso l'esterno. I canali delle viti su L16 e L17 dovrebbero essere all'interno.
2. Fissare la barra per vetro orizzontale inferiore (L17) a una delle montanti per vetro verticali (L18) usando due viti. Far scorrere i pannelli di vetro (Y12) in posizione. Ripetere con L16/Y11 e L16/Y12. Collegare L15. Fissare l'altra barra per vetro verticale (L18) usando otto viti.

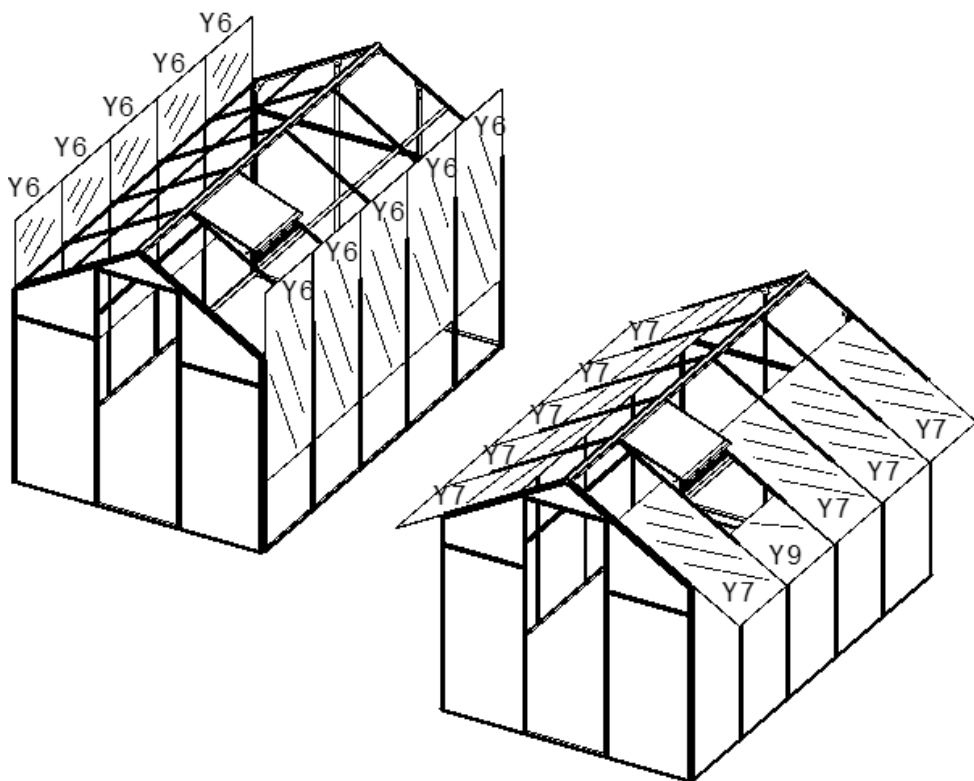


MONTAGGIO SERRA

PANNELLI DI VETRO

Dopo aver installato il tetto è il momento di inserire i pannelli di vetro. I muri laterali hanno dieci pannelli uguali (Y6). I pannelli si inseriscono in posizione dall'alto. Sarà necessaria assistenza per garantire che ciascun pannello sia alloggiato correttamente nel canale di vetro del davanzale.

Quindi installare i vetri del tetto. Ci sono nove pannelli identici (Y7) e un pannello più piccolo (Y9). Tutti i pannelli scorrono nei canali per il vetro, sopra le gronde e verso la linea del tetto. Anche in questo caso sarà necessaria assistenza per garantire che ciascun pannello venga inserito correttamente. La parte superiore del pannello Y9 si trova nella barra per vetro sotto l'apertura di sfiato. Il fondo dei pannelli poggia sulla grondaia e viene tenuto in posizione dalle grondaie.



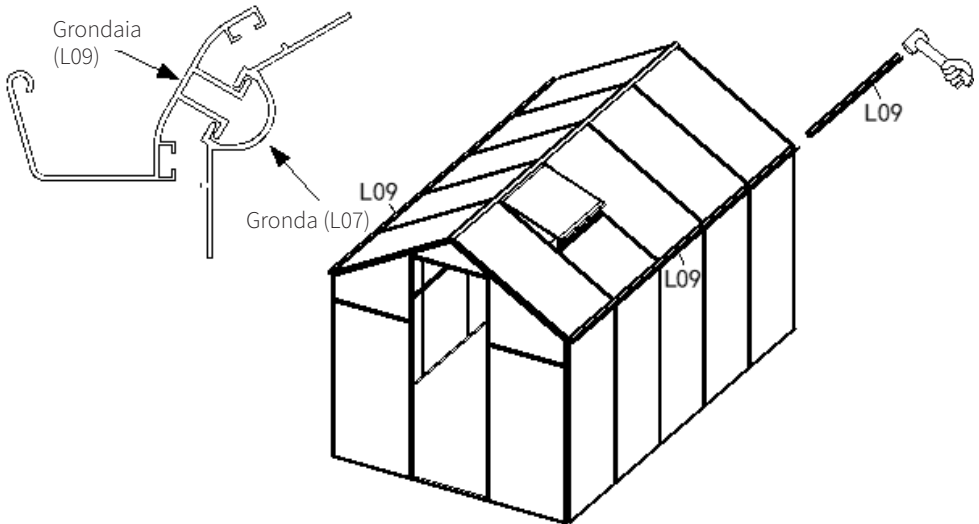
MONTAGGIO SERRA

GRONDAIE

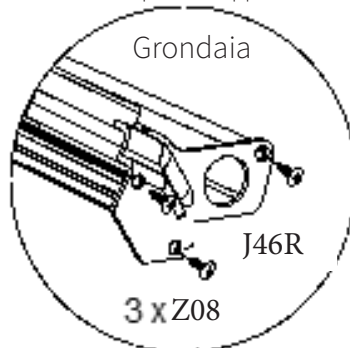
PARTI NECESSARIE:

Parte	Qtà	Descrizione
L09	2	Grondaia
J46L/R	4	Grondaia e tappo, 2 a sinistra e 2 a destra
Z08	12	vite M4.2x16

Dopo che i pannelli vetri sono in posizione, far scorrere la cornice (L09) in posizione lungo la grondaia (L07). La grondaia si posiziona in un solco nella cornice. Se necessario, usare un martello a faccia morbida.



Una volta in posizione, fissare assicurando i quattro tappi terminali usando le viti.



MONTAGGIO SERRA

SUPPORTO PORTA

PARTI NECESSARIE:

Parte	Qtà	Descrizione
L14	1	Supporto binario porta
L11	1	Barra per vetro centrale (già montata nella parete anteriore)
N/A	1	Assemblaggio porta completato
M01/S03	3	Bulloni M6 (già situati in L11) e dadi
Z08	4	Vite M4.2 x 16
J47	2	Cappuccio terminale della guida

DESCRIZIONE GENERALE

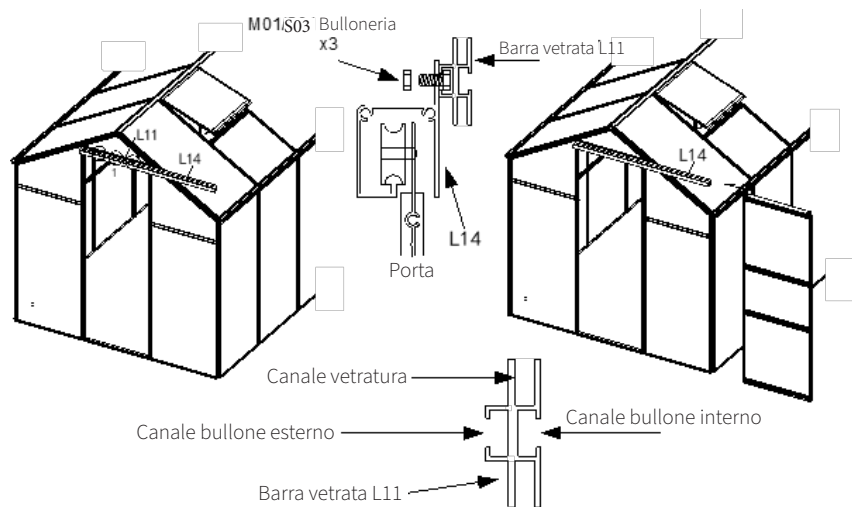
La porta scorrevole si muove su due ruote in nylon che scorrono su un binario, imbullonate al telaio, sopra l'apertura della porta. Il movimento lungo la pista è limitato da dei tappi di plastica fissati alle estremità del binario. Ciò garantisce che la porta non possa essere uscire dalle estremità del binario. La parte inferiore della porta si trova nel davanzale anteriore (L10).

MONTAGGIO

Il binario di supporto della porta (L14) presenta tre fori in modo da poter essere avvitata alla barra per vetro centrale (L11). I tre bulloni richiesti sono già stati installati in L11. Separare i bulloni in modo che corrispondano alle posizioni dei fori in L14. Posizionare L14 in posizione sopra i bulloni e fissarlo in posizione utilizzando tre dadi.

Far scorrere la porta sulla guida all'interno di L14 mantenendo il fondo leggermente lontano dal davanzale. Una volta in posizione, sollevare leggermente la porta e rilasciarla in posizione nel davanzale. Verificare che la porta si muova liberamente.

Fissare i tappi di chiusura in posizione sulle estremità di L14 e fissarli con le viti.



MONTAGGIO SERRA

BASE

Per la serra è disponibile una base in acciaio zincato. Queste sono raccomandate in quanto fungono da supporto per la serra e rendono più facile mantenerla piana e angolata. Sono avvitate insieme agli angoli con staffe che fungono anche da gambe.

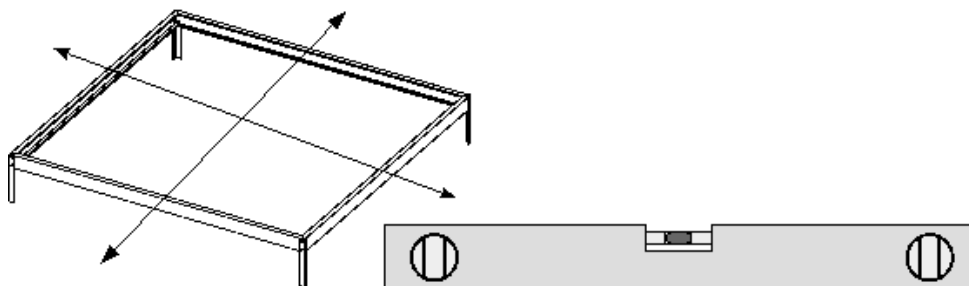
PARTI NECESSARIE:

Parte	Qtà	Descrizione
C	4	Base/gamba angolare base
A1	2	Base fronte/trave posteriore
B1	2	Base Sinistro/trave destro
S03	16	Vite M4.2 x 16
M01	16	Dado M6
Z08	36	Bullone M6 x 10

Posizionare i montanti fronte/retro (A1) e i destro/sinistro (B1) in un rettangolo. Posizionare una staffa ad ogni angolo insieme a quattro dadi e bulloni.

È più facile costruire la base sottosopra e poi capovolgerla. Le travi laterali non hanno una parte superiore o inferiore, quindi posizionare ciascuna trave sul suo bordo stretto con la faccia piatta verso l'esterno. Ogni coppia di travi deve essere imbullonata agli angoli utilizzando le staffe e quattro dadi e bulloni.

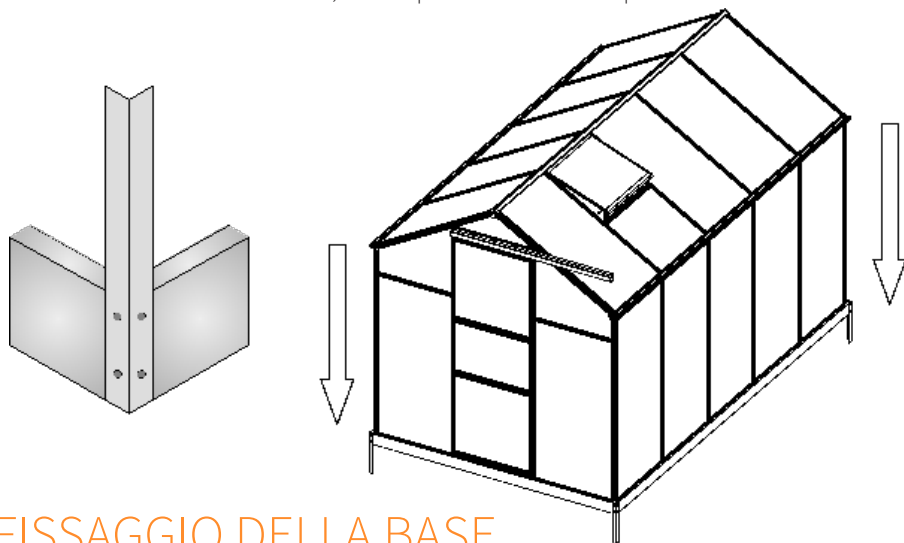
Capovolgila e correggila nella posizione desiderata. Assicurarsi che sia angolata correttamente e livellata. Posizionare con cura la serra sulla cima.



MONTAGGIO SERRA

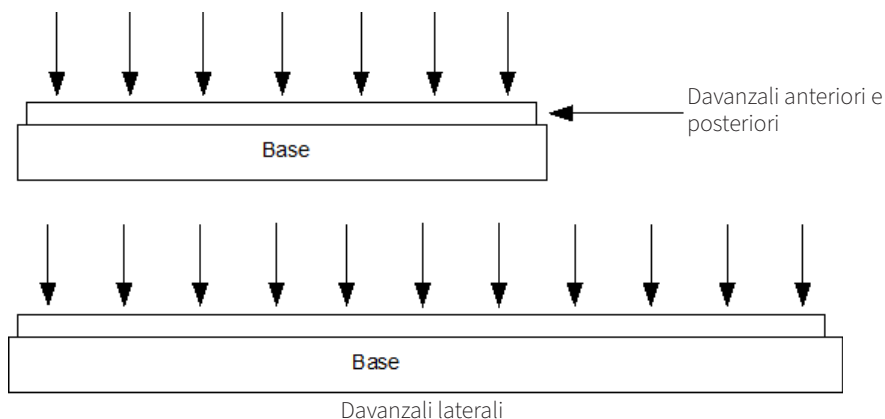
BASE

Assicurarsi che la base sia livellata da davanti a dietro e da un lato all'altro. Se la serra deve essere installata su calcestruzzo o blocchi, anche questi devono essere piani e livellati.



FISSAGGIO DELLA BASE

Una volta che la base è stata fissata in posizione e la serra posizionata sulla cima, dovrà essere fissata in basso. Per fare ciò, utilizzare le viti Z08. Queste vengono usate per perforare attraverso i davanzali e nella base. La base è in acciaio quindi le viti avranno bisogno di un po' di forza. Il numero e la posizione delle viti è una questione di scelta ma un minimo di sette per ogni lato è consigliato. Una al centro, una in ogni estremo e quattro distanziate omogeneamente.



Per il montante sinistro/destro è consigliato un minimo di undici viti equidistanti.

GUIDA UTENTE

ISTRUZIONI PER LA PULIZIA

1. Risciacquare i pannelli di vetro con acqua tiepida.
2. Lavare i pannelli di vetro con un sapone delicato e acqua tiepida.
3. Utilizzare un panno morbido o una spugna e lavare delicatamente con un movimento dall'alto al basso nella stessa direzione delle scanalature.
4. Risciacquare il panno o la spugna e cambiare spesso l'acqua. NON STROFINARE o utilizzare spazzole o tergicristalli. Il rivestimento sui pannelli vetrati è delicato e facilmente danneggiabile.
5. Ripetere il risciacquo.

RISOLUZIONE DEI PROBLEMI

GUIDA ALLA RISOLUZIONE

COSA FACCIO SE NEL MIO ORDINE CI SONO PARTI MANCANTI?

Se nel tuo ordine sembra che manchi qualche componente, contatta il nostro amichevole Team di Assistenza Clienti e entro 7 giorni dal recapito.

PER TUTTI GLI ALTRI PROBLEMI, CONTATTA NOSTRO TEAM DI ASSISTENZA CLIENTI.

SPÉCIFICATION

DESCRIPTION DU PRODUIT

La serre Monster Greenhouse est une serre de jardin en aluminium/polycarbonate à monter, facile à assembler et plate. Elle mesure 6 pieds de large et 10 pieds de long.

CARACTÉRISTIQUES DU PRODUIT

Vitrage en polycarbonate de 4 mm

Cadre en aluminium entre 1 mm et 1,3 mm

Base en acier de 0,8 mm (facultatif)

Largeur - 6 pieds

Hauteur - Sommet 6 pieds

Porte 5 pieds Côtés 4 pieds

Longueur - 10 pieds

Poids - 51KG (avec base)

Poids - 41.1KG (sans base)

OUTILS ET EQUIPEMENTS DE SECURITÉ REQUIS

1. Gants
2. Escabeau
3. Tournevis motorisé à tête plate Philips
4. Clé ou douille de 10mm
5. Grande équerre

Remarque: Ces outils ne sont pas fournis. Au moins deux personnes sont nécessaires pour assembler cette serre.

La responsabilité de Monster Group UK Limited se limite à la valeur commerciale du produit uniquement.

SPÉCIFICATION

CARACTÉRISTIQUES DU PRODUIT

- A. Cadre en aluminium galvanisé
- B. Vitrage en polycarbonate à double paroi
- C. Poutre faîtière en aluminium à profil creux pour plus de solidité et de rigidité
- D. Système de vitrage sans clip qui maintient le vitrage en polycarbonate en place de manière plus sûre
- E. Contreventements horizontaux dans les parois latérales et le toit pour une plus grande rigidité structurelle
- F. Ouverture d'aération par le toit
- G. Porte coulissante
- H. Base en acier galvanisé (optionel)
- I. Toit et gouttières Apex



SPÉCIFICATION

LISTE DES PIÈCES

Lorsque vous déballez votre serre pour la première fois, vérifiez chaque pièce par rapport à cette liste pour vous assurer qu'elles sont toutes présentes. Chaque pièce est clairement étiquetée. S'il en manque, contactez-nous avant d'essayer de les assembler.

Pièce	Qté	Description
J45	2	Embouts de faîtage
J46L	2	Embouts de gouttière (gauche)
J46R	2	Embouts de gouttière (droite)
J47	2	Embouts pour rail de porte
L10	1	Seuil avant
L11	1	Paroi avant pour barre de vitrage horizontale et centrale
L12A	4	Entretoises transversales horizontales
L13	1	Seuil arrière
L14	1	Rail de support de porte
L15	1	Barre de vitrage de porte, supérieure
L16	2	Barres de vitrage de porte, centre
L17	1	Barre de vitrage de porte, inférieure
L18	2	Barres de vitrage de porte, gauche et droite
L19	2	Barres de vitrage à évent, gauche et droite
L20	1	Barres de vitrage supérieure pour aération
L21	1	Barre de vitrage inférieure pour aération
LO1A	4	Barres de vitrage verticales extérieures avant et arrière gauche et droite
LO1B	4	Barres de vitrage de toit inclinée (2 à l'avant + 2 à l'arrière)
LO2A	8	Barres de vitrage à paroi latérale centrale
LO2B	6	Barre de vitrage de toit centrale, côté lisse
LO2C	1	Barre de vitrage de toit interne, coté ventilation
LO2D	1	Barre de vitrage de toit interne, coté ventilation
LO3B	6	Barres de vitrage générales
LO4A	2	Barres de vitrage verticale intérieures avant et arrière gauche
LO4B	2	Barres de vitrage verticale intérieures avant et arrière droite

SPÉCIFICATION

LISTE DES PIÈCES

Pièce	Qté	Description
LO5A	1	Paroi arrière avec renfort horizontal
LO5B	2	Parois avant avec renfort horizontal gauche et droit
LO6	1	Faîtière de toit
LO7	2	Vitrage mur de coté barre du haut
LO8A	2	Seuils de la paroi latérale
LO9	2	Gouttières
MO1	46	Écrous M6
S03	46	Boulons M6
S28	2	Boulons M4
M02	2	Écrous M4
D47	6	Plaques de support angulaire
A01	1	Fenêtre de toit
A03	1	Support de fixation de fenêtre
Y1	2	Paroi avant et paroi arrière vitrage supérieur droit
Y10	1	Panneau de vitrage à aération
Y11	1	Panneau de vitrage central de porte
Y12	2	Panneaux de vitrage supérieurs et inférieurs de la porte
Y2	5	Panneaux de vitrage inférieurs des parois avant et arrière
Y3	1	Paroi arrière centrale du panneau de vitrage supérieur
Y4	2	Parois avant et paroi arrière vitrage supérieurs gauche
Y5	1	Paroi frontale vitrage supérieur central
Y6	10	Panneau de vitrage pour paroi latérale
Y7	9	Panneaux de vitrage de toit (grand)
Y8	0	Non utilisé
Y9	1	Panneau de vitrage de toit (petit)
Z08	168	Vis autoperceuse
C	4	Pieds d'angle/support de base
A1	2	Poutre base devant/poutre base arrière
B1	2	Poutre base gauche/ poutre base droite

AVIS DE SÉCURITÉ

CONSIGNES DE SÉCURITÉ A RESPECTER

Veillez lire attentivement les consignes de sécurité afin de vous protéger contre les blessures et les dommages qui pourraient être causés par la construction de la serre.

Assurez-vous d'avoir lu et bien compris le mode d'emploi et les consignes de sécurité avant d'assembler ce produit.

Au moins deux personnes sont requises pour assembler cette serre.

Assurez-vous que cette serre soit manipulée et assemblée conformément à ces instructions. N'essayez pas d'assembler cette serre par temps venteux.

Assurez-vous que cette serre soit assemblée et érigée sur une surface plate. Assurez-vous que ce produit soit bien assemblé.

Assurez-vous que ce produit est installé dans un endroit sûr. Ce produit doit être ancré au sol.

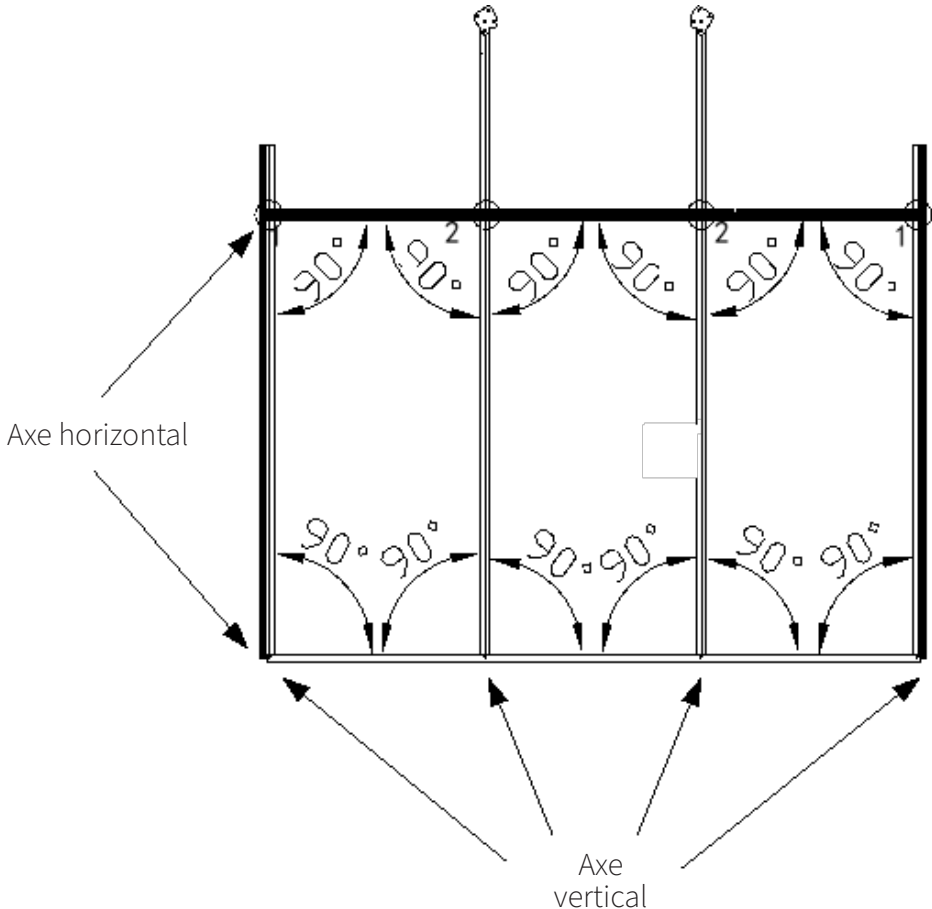
N'utilisez pas ce produit à d'autres fins que celles auxquelles il est destiné. Assurez-vous que tous les autres matériaux utilisés avec ce produit sont conformes aux normes.

GUIDE D'UTILISATION

LIGNES DIRECTRICES POUR LE MONTAGE

La serre se compose d'un certain nombre de sections distinctes. Le procédé de montage est le même pour toutes les sections. Disposez les composants sur le sol selon le schéma dans lequel ils seront assemblés. Étudiez les dessins et assurez-vous de comprendre comment chaque pièce sera assemblée.

A l'exception du toit, tous les angles sont perpendiculaires (90 degrés). La base de la serre doit être plate et horizontale. Tous les poteaux seront alors verticaux. C'est essentiel pour s'assurer que les panneaux de vitrage s'ajustent correctement.



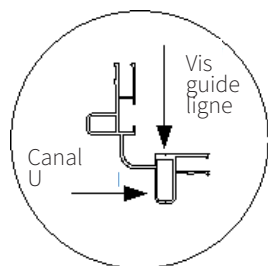
GUIDE D'UTILISATION

VIS AUTOPERCEUSES ET AUTO-TARAUDEUSES

Il n'y a pas de trous pré-perçés dans le cadre pour les vis. Par conséquent, des vis auto-perceuses sont utilisées. Celles-ci traverseront facilement le cadre en aluminium. Il est recommandé d'utiliser un tournevis électrique, idéalement à vitesse variable.

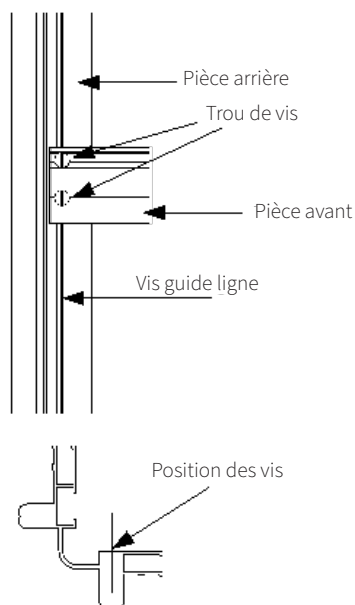
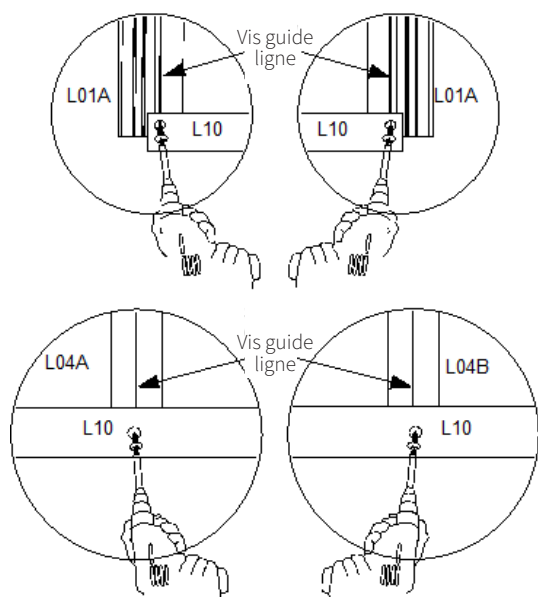
Si vous devez utiliser des vis, une ligne permettant de vous guider a été tracée dans la partie en aluminium.

Au dos de la pièce se trouve un canal en forme de U allongé pour recevoir la vis (voir schéma). Ceci est valable pour presque toutes les fixations par vis. Si ce n'est pas le cas, les détails seront fournis dans les instructions sur la manière de procéder.



Chaque pièce à assembler aura un ou deux trous de vis pré-perçés. Une fois cette pièce positionnée, la ligne de repère de la vis sera visible à travers le(s) trou(s). À l'aide d'un tournevis électrique, percez les vis à l'arrière de la pièce en utilisant le(s) trou(s) et les repères afin de bien les positionner.

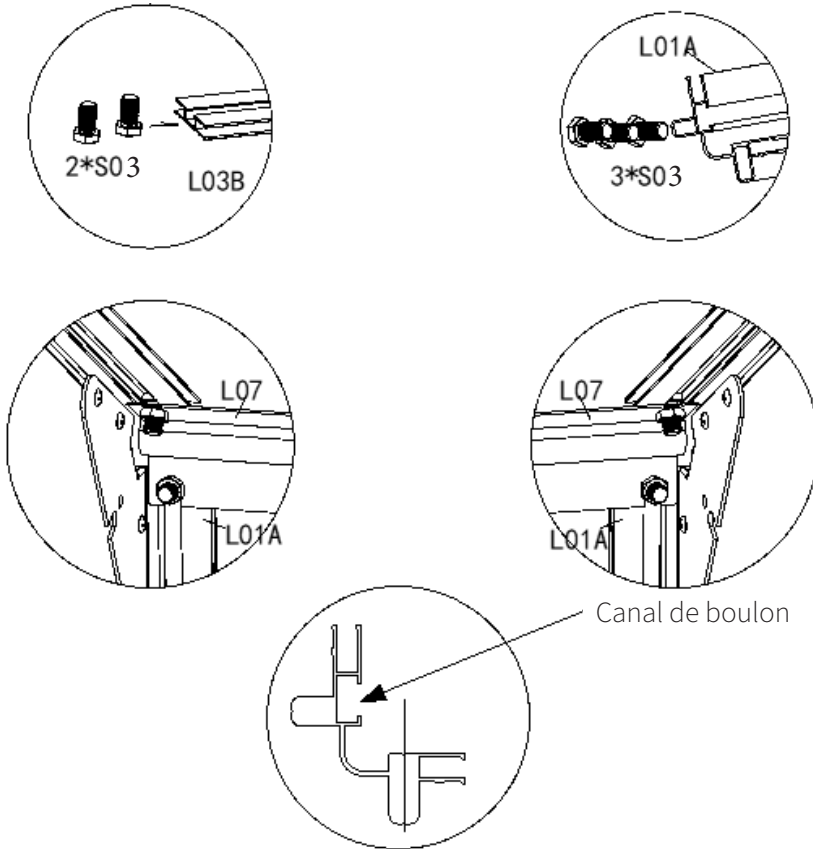
Exemples d'application pour vis autopercées



GUIDE D'UTILISATION

ÉCROUS ET BOULONS

La plupart des composants sont fixés avec des écrous et des boulons.



Exemples d'utilisation des canaux de boulons

Lors de la fixation des composants avec les écrous (M01) et les boulons (S03), le boulon sera inséré dans le canal du boulon. L'élément à fixer sera placé sur le boulon qui dépasse. Un écrou sera ensuite vissé sur le boulon et serré pour fixer la pièce en question. Dans certains cas, il sera nécessaire d'insérer des boulons supplémentaires dans le canal de boulons pour une utilisation ultérieure. Ceci est important car ils seront utilisés pour sécuriser les composants plus tard dans le montage. Pour empêcher ces boulons supplémentaires de bouger, on peut les visser et les serrer à la main. Si ce n'est pas le cas, les détails seront fournis dans les instructions sur la marche à suivre.

GUIDE D'UTILISATION

PANNEAUX DE VITRAGE

Les surfaces sont revêtues et munies d'un film de protection, blanc d'un côté et transparent de l'autre.

Les panneaux vitrés sont traités d'un côté pour la protection contre les dommages causés par la lumière du soleil (à ne pas confondre avec le film protecteur). Ce côté traité doit être tourné vers l'extérieur pour protéger le corps des panneaux vitrés.

Lors de la pose d'un panneau, enlevez le film sur une bande de 5 cm sur tout le pourtour du panneau des deux côtés. Les panneaux doivent être montés avec le côté blanc vers l'extérieur. Ils peuvent être utilisés comme cales d'espacement pour une partie du cadre, par exemple pour les barres de vitrage verticales intérieures des parois avant et arrière.

Les rainures du vitrage ont une profondeur de 10 mm et les panneaux doivent être fendus jusqu'au fond de cette rainure.

ASSEMBLAGE DE LA SERRE

MUR PRINCIPAL

PIECES NECESSAIRES:

Pièce	Qté	Description
L01A	2	Barres de vitrage verticales extérieures de la paroi avant gauche et droite
L01B	2	Barres de vitrage de toit inclinée
L03B	2	Barres de vitrage général
L04A	1	Barre de vitrage verticale intérieure de la paroi avant gauche
L04B	1	Vitrage vertical intérieur de la paroi avant à droite
L05B	2	Supports horizontaux de la paroi avant à gauche et à droite
L11	1	Paroi avant vitrage horizontal au centre de la barre
L10	1	Seuil avant
Y1	1	Panneau de vitrage supérieur de la paroi avant à droite
Y2	2	Panneaux de vitrage inférieur de la paroi avant
Y5	1	Paroi avant central du panneau de vitrage supérieur
Y4	1	Paroi avant supérieure du panneau de vitrage gauche
D47	3	Plaques d'appui d'angle
Z08	24	Vis
S03	9	Boulons M6
M01	9	Ecrous M6

DESCRIPTION GÉNÉRALE

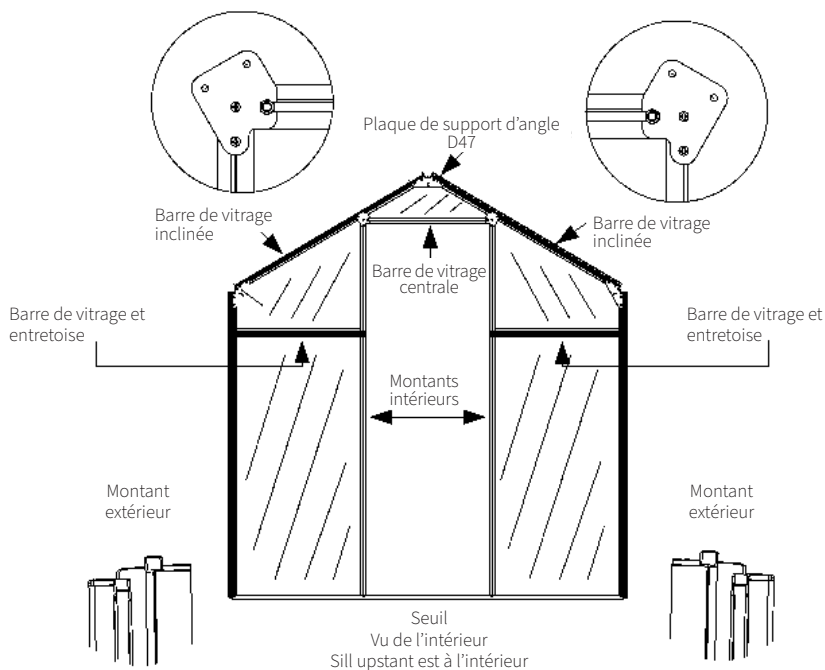
La paroi avant se compose d'un seuil (L10), de 2 supports extérieurs (L01A), de 2 supports intérieurs (L04A&B), de 2 barres de vitrage (L03B), de 2 contreventements (L05B), de 2 barres de vitrage de toit inclinées (L01B) et d'une barre centrale (L11).

Commencez par poser tous les composants sur le sol. Assurez-vous d'avoir tous les éléments et de comprendre leur position et leur orientation.

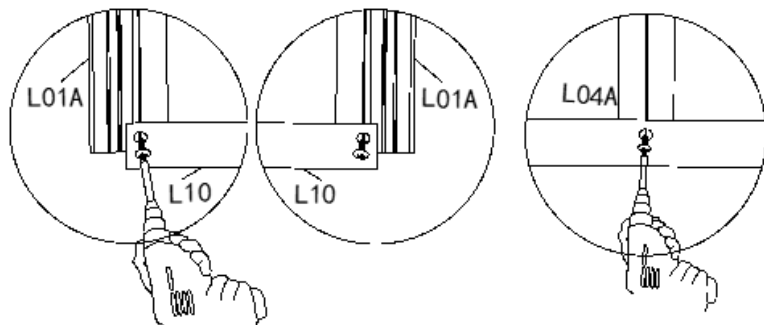
Les parois avant et arrière sont suffisamment petites et légères pour être montées sous un abri (dans un garage par exemple) et transportées sur le chantier du montage prévu.

ASSEMBLAGE DE LA SERRE

MUR PRINCIPAL



1. Commencez par fixer 1 support extérieur (L01A) au seuil à l'aide d'une vis, les deux côtés feront l'affaire. La partie supérieure de l'appui de fenêtre sera à l'intérieur.

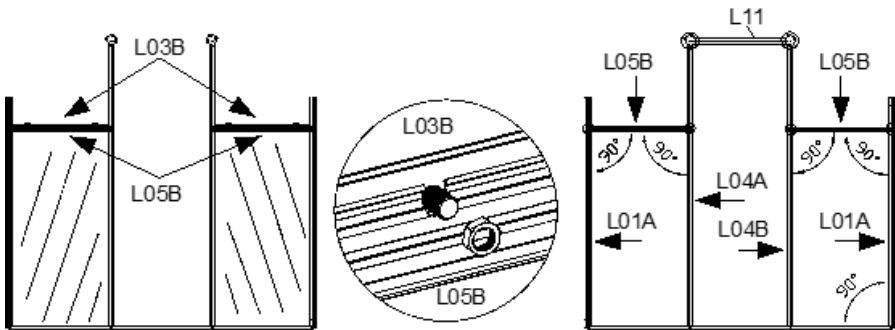


2. Insérez un panneau de vitrage inférieur (Y2) et utilisez-le comme espaceur pour placer le support intérieur (L04A) sur ce côté.
3. Fixez le support intérieur à l'aide d'une vis. S'assurer que la fente dans le support sur les faces supérieures est orientée vers l'intérieur.
4. Répétez pour l'autre côté.

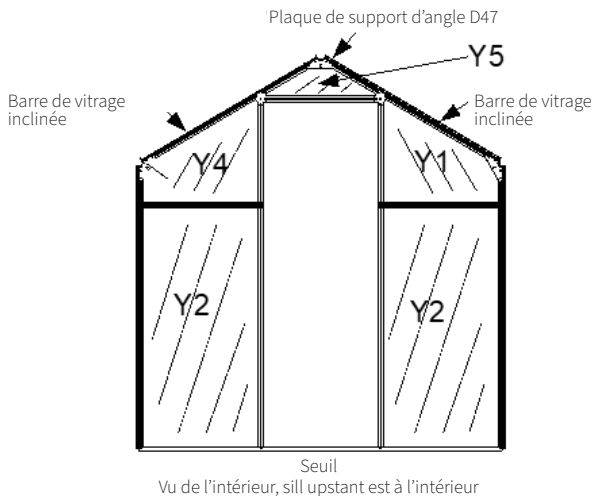
ASSEMBLAGE DE LA SERRE

MUR PRINCIPAL

5. Insérez 2 boulons M6 dans chacune des 2 barres de vitrage (L03B). Placez une barre de vitrage sur chacun des 2 panneaux de vitrage inférieurs.
6. Placez sur l'une des barres de vitrage, après avoir ajusté la position des boulons, soulevez pour mettre en place un renfort horizontal (L05B). Placer un écrou sur chacun des boulons et serrer à la main.
7. Répétez l'opération pour l'autre.



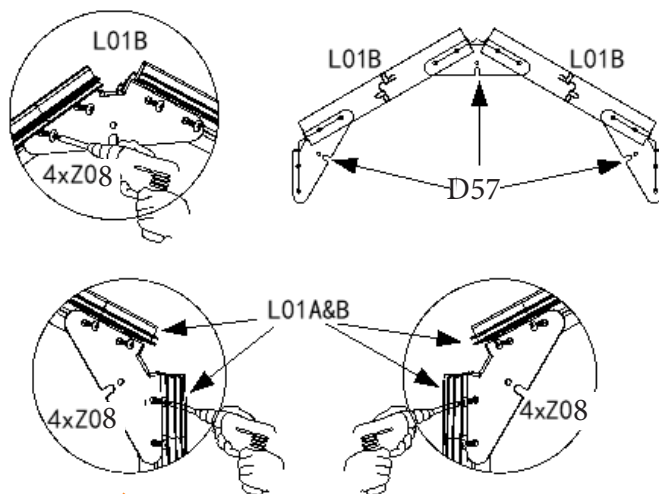
8. Fixez chaque attelle avec une vis à chaque extrémité mais ne serrez pas totalement.
9. Vérifiez que le panneau mural est bien placé avec l'équerre. Serrez les vis et les 4 écrous.
10. Insérer et serrer une deuxième vis à chaque extrémité des deux attelles.
11. Insérez trois boulons dans le canal extérieur de la barre de vitrage centrale (L11) pour une utilisation ultérieure. Insérez deux boulons dans le canal de boulon intérieur et utilisez-les pour fixer la barre entre les deux supports sur le dessus des montants intérieurs.
12. Insérez les trois panneaux de vitrage supérieurs (Y1, Y4 et Y5) en place.



ASSEMBLAGE DE LA SERRE

MUR PRINCIPAL

13. Positionner les 2 barres de vitrage de toit inclinées (L01B) sur le dessus des panneaux de vitrage supérieurs. Fixez-les avec 3 équerres de support (D47) en utilisant 12 vis.



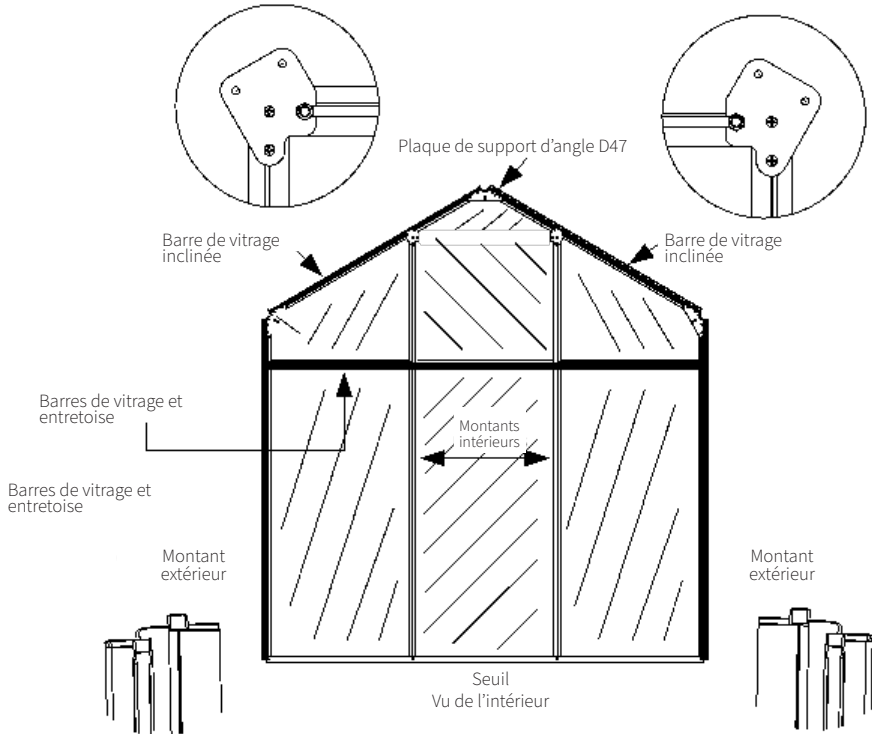
PAROI ARRIÈRE

PIECES NECESSAIRES:

Pièce	Qté	Description
L01A	2	Parois arrière extérieures avec vitrage vertical à gauche et à droite
L01B	2	Barre de vitrage de toit gauche & droit
L03B	3	Barres de vitrage principales
L04A	1	Paroi arrière intérieure barre de vitrage vertical à gauche
L04B	1	Paroi arrière intérieure barre de vitrage vertical à droite
L05A	1	Entretoise horizontale de la paroi arrière
L13	1	Bas de caisse arrière
Y1	1	Paroi arrière panneau de vitrage supérieur droit
Y2	3	Panneaux de vitrage inférieur de la paroi arrière
Y3	1	Paroi arrière centrale du panneau de vitrage supérieur
Y4	1	Paroi arrière centrale du panneau de vitrage inférieur
D47	3	Plaque de support d'angle
Z08	24	Vis
S03	6	Boulons M6
M01	6	Écrous M6

ASSEMBLAGE DE LA SERRE

PAROI ARRIÈRE



DESCRIPTION GÉNÉRALE

Comme pour la paroi avant, la paroi arrière se compose d'un seuil, de 2 supports extérieurs, de 2 supports intérieurs, de 2 vitres de toit inclinées et de 3 vitres générales. Cette fois-ci cependant, il n'y a qu'une seule barre qui s'étend sur toute la largeur du mur. Posez tous les éléments sur le sol. Assurez-vous que vous avez tous les composants et que vous comprenez leur position et leur orientation.

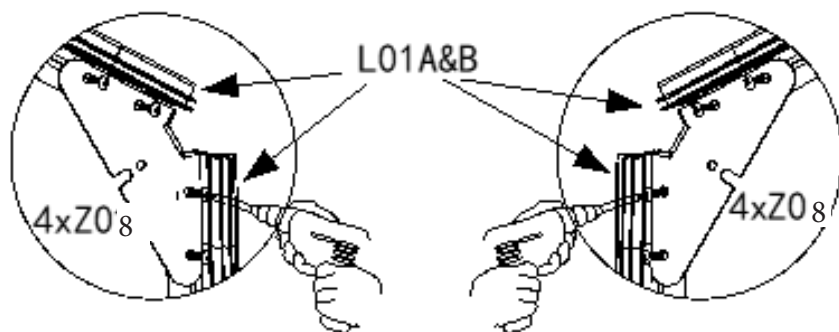
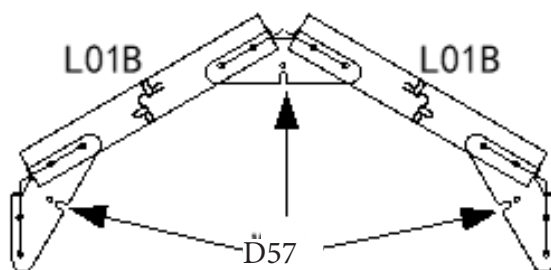
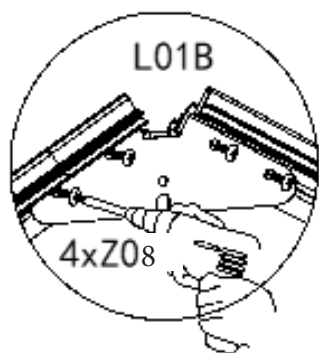
ASSEMBLAGE

1. Commencez par fixer un cadre vertical au seuil, une vis de chaque côté fera l'affaire.
Assurez-vous que les cadres soient dans le bon sens.
2. Insérez un panneau de vitrage inférieur et utilisez-le comme espaceur pour positionner un cadre vertical intérieur de ce côté.
3. Fixez le cadre vertical intérieur avec une vis.
4. Répétez l'opération de l'autre côté.
5. Insérez le panneau de vitrage central.
6. Insérez 2 boulons M6 dans chacune des 3 barres de vitrage (L03B). Placez une barre de vitrage sur chacun des 3 panneaux de vitrage inférieurs.
7. Insérez les 3 panneaux de vitrage supérieurs.

ASSEMBLAGE DE LA SERRE

PAROI ARRIÈRE

8. Monter le support horizontal (L05A) et, après avoir réglé la position des boulons, le soulever pour le mettre en place. Placer un écrou sur chacun des boulons et serrer à la main.
9. Fixer le support avec une vis à chaque extrémité, mais ne pas serrer complètement.
10. Vérifiez que le panneau mural est d'équerre.
11. Serrez les vis extérieures et les 6 écrous.
12. Fixer avec une vis chacun des supports intérieurs.
13. Vérifiez encore une fois que tout est bien en place puis fixez le renfort aux 4 supports avec 4 vis supplémentaires.
14. Positionner les 2 barres de vitrage de toit (L01B) sur le dessus des panneaux de vitrage supérieurs. Fixez-les avec 3 cornières (D47).



ASSEMBLAGE DE LA SERRE

PAROI LATÉRALE - GAUCHE ET DROITE

PIÈCES NÉCESSAIRES:

Pièce	Qté	Description
L02A	8	Barres de vitrage mur latéral
L08A	2	Seuils de paroi latérale
L07	2	Avant-toits de la paroi latérale
L12A	2	Traverse horizontale de la paroi latérale
M01	24	Écrous M6
S03	24	Boulon M6
Z08	32	Vis M4.2x16
Y6	10	Panneaux de vitrage pour paroi latérale

DESCRIPTION GÉNÉRALE

Chaque consiste d'un seuil (L08A) en bas, avant toit (L07) en bas, Quatre barres vertical interne (L02A) et un croissillon (L12A). Ils n'ont pas de montants extérieurs car ils sont formés par les montants du mur de devant et arrière. Ils ont 5 panneaux de vitrage chaque (Y6).

Les trois parties horizontales des parois latérales (seuil, contreventement et avant-toit) relient efficacement la paroi avant à la paroi arrière. Elles sont fixées par des boulons et des écrous. Il en faudra trois pour chaque coin, soit douze au total.

Les avant-toits doivent également être boulonnés aux barres de vitrage du toit à ce stade. Il est conseillé d'installer tous les boulons et écrous nécessaires pour le toit avant de procéder à cette opération. Trois sont nécessaires pour chaque barre de vitrage donc douze en total.

Préparation des murs avant/arrière

Commencez par installer trois boulons dans le passage des boulons de chaque support extérieur (L01A) de la paroi avant et arrière. Il est conseillé de visser un écrou sur chaque boulon avant l'installation. Il faudra un boulon en haut, un en bas et un au milieu, placez les boulons et serrez les écrous à la main pour les empêcher de glisser.

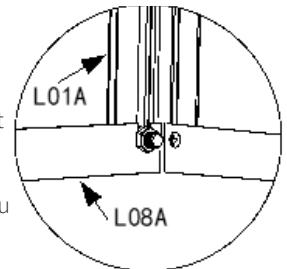
Installez trois boulons dans chaque barre de vitrage pour le toit (L01B). Un boulon est nécessaire en haut, un boulon en bas et un au milieu pour mettre les boulons à peu près en position et serrez les boulons avec vos doigts pour les maintenir en place.

Assemblage de la paroi latérale

Pour commencer la construction des parois latérales, les parois avant et arrière devront être maintenues debout à une distance appropriée l'une de l'autre et dans la bonne orientation. Positionnez les éléments de chaque paroi latérale de chaque côté. Les deux côtés sont identiques, donc peu importe laquelle est réalisée en premier.

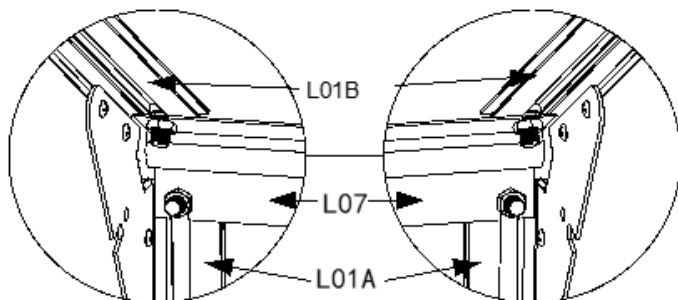
Fixez le seuil (L08A) aux supports extérieurs avant et arrière (L01A) en utilisant les écrous et boulons déjà installés.

Fixez l'avant-toit (L07) aux supports extérieurs avant et arrière (L01A) à l'aide de l'écrou et du boulon déjà installés. Fixez également les barres de vitrage du toit (L01B) à l'avant-toit à l'aide des écrous et boulons déjà installés dans les barres de toit.

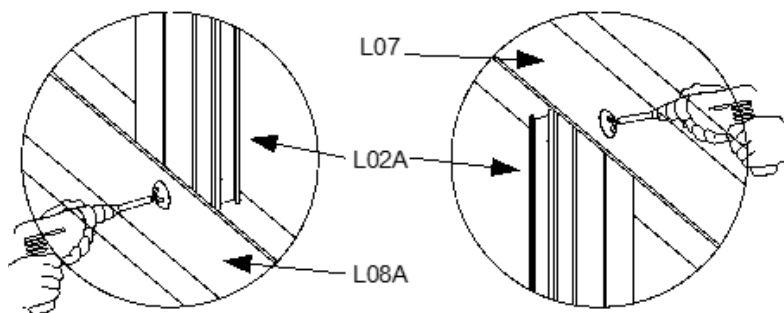


ASSEMBLAGE DE LA SERRE

PAROI LATÉRALE - GAUCHE ET DROITE

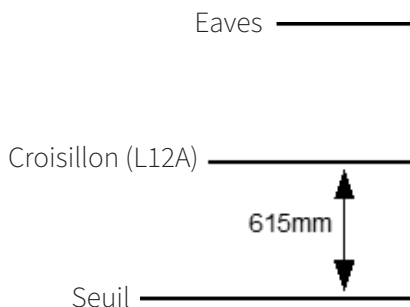


Fixer la barre de vitrage verticale (L02A) au rebord et sur l'avant-toit à l'aide d'une seule vis à chaque extrémité.



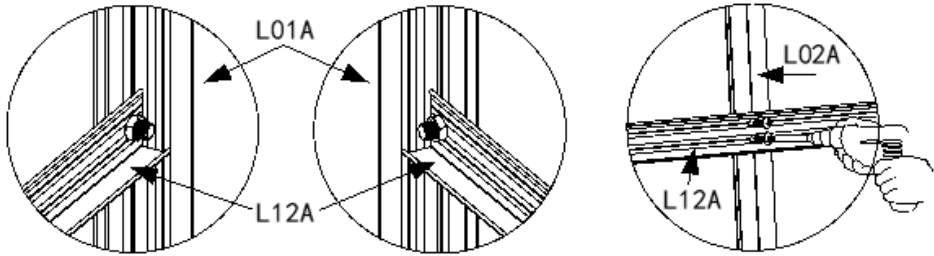
Assurez-vous que tous les angles intérieurs sont à 90°.

Fixez le croisillon horizontal (L12A) aux supports verticaux (L01A), à l'aide des boulons déjà installés, à une hauteur de 615 mm du bas du support au bas de l'entretoise. Fixer le croisillon à la barre centrale du vitrage (L02A) avec deux vis.



ASSEMBLAGE DE LA SERRE

PAROI LATÉRALE - GAUCHE ET DROITE



Répétez les mêmes étapes pour l'autre côté.

ASSEMBLAGE DE L'ÉVENT

L'évent se compose de quatre barres de vitrage, d'un panneau de vitrage et d'un appui de fenêtre (A01). Les barres de vitrage sont maintenues ensemble par quatre vis. La fenêtre s'articule en haut (à partir du faîte du toit (L06)) avec le support de fenêtre en bas. Le support de fenêtre est fixé avec deux boulons et écrous M4.

PIECES NECESSAIRES:

Pièce	Qté	Description
L19	2	Barres de vitrage pour aération, gauche et droite
L20	1	Barre de vitrage pour aération, partie supérieure
L21	1	Barre de vitrage pour ventilation, partie inférieure
A01	1	Appui pour fenêtre
Y10	1	Panneau de vitrage pour ventilation
Z08	4	Vis M4.2x16
S28	2	Boulons M4x10
M02	2	Écrous M4

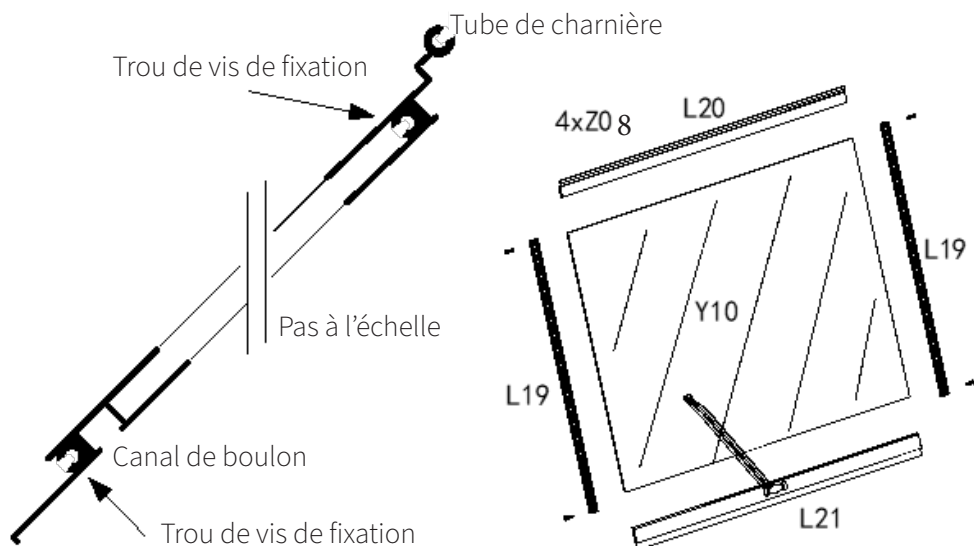
Insérer le panneau de vitrage (Y10) dans la barre de vitrage supérieure (L20). Le tube de charnière doit être en haut (voir dessin).

Fixez les deux barres de vitrage latérales (L19), avec le côté strié vers le haut, à l'aide de vis. Insérez deux boulons (S28) dans le canal des boulons de la barre de vitrage inférieure (L21).

Fixez la barre de vitrage inférieure, avec la rainure de boulon vers le bas, à l'aide de 2 vis (voir dessin). Placer le support de fenêtre sur les deux boulons et le fixer avec deux écrous.

ASSEMBLAGE DE LA SERRE

ASSEMBLAGE DE L'ÉVENT



MONTAGE DE LA TOITURE

PIÈCES NECESSAIRES:

Pièce	Qté	Description
L06	1	Faîte de toit
L02B	6	Vitrage de toit à barre centrale, côté lisse
L02C	1	Barre de vitrage de toit interne, côté ventilation
L02D	1	Barre de vitrage de toit interne, côté ventilation
L12A	2	Traverses horizontales de toit
L03B	1	Barre de sécurité pour le vitrage extérieur
Z08	32	Vis M4.2x16
A03	1	Support de fenêtre
M01/S03	4	Boulons et écrous M6
Y7	9	Panneau de vitrage de toit
Y9	1	Panneau de vitrage de toit pour le côté de l'aération
J45	2	Capuchons d'extrémité de façage

ASSEMBLAGE DE LA SERRE

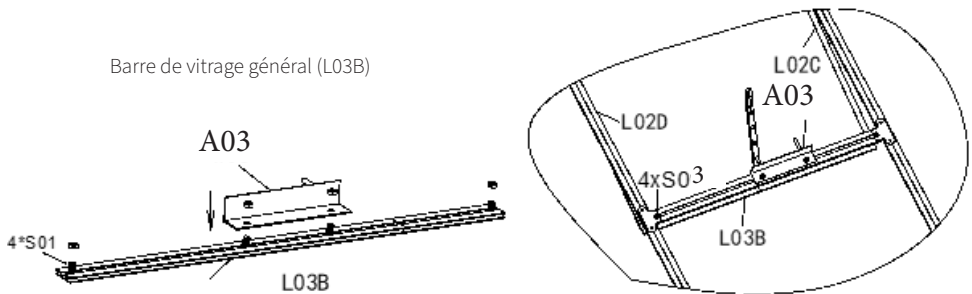
MONTAGE DE LA TOITURE

DESCRIPTION GLOBALE

Le toit consiste d'une faîte (L06) qui borde le sommet du mur de devant jusqu'au sommet, quatre barres (L02B) qui borde le coté gauche du faîte jusqu'à l'avant toit, quatre barres de vitrage (L02Bx2/L02C/L02D) qui borde le coté droite (ventilation) du faîte jusqu'à l'avant toit et deux croisillons (L12A) qui borde de devant à travers le centre de chacun.

Ceci divise le toit en dix parties. Neuf de ces parties sont identiques. Le dixième (la deuxième baie lorsqu'il est vue de devant) contient la ventilation. Cette partie a un panneau de vitrage différent (Y9). Les neuf autres ont des panneaux de vitrage identiques (Y7)

Le panneau de vitrage (Y9) est surmonté avec une barre de vitrage générale (L03). Ceci fournit un siège à la fin du panneau vitrage et tient aussi le croche de fenêtre (A03). La barre de vitrage (L03B) est sécurisée à chaque extrémité des barres de vitrages (L02C/D) avec les équerres de fixation déjà attaché aux barres.



ASSEMBLAGE DE LA SERRE

MONTAGE DE LA TOITURE

PRINCIPAUX COMPOSANTS DU TOIT

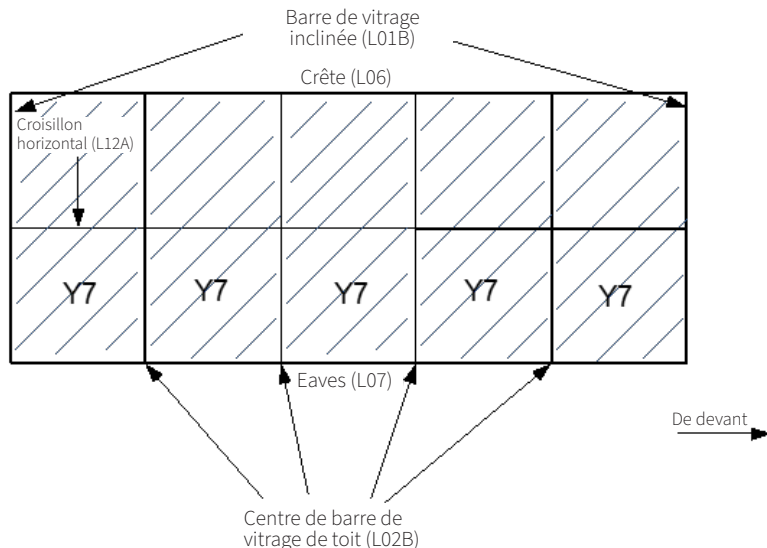
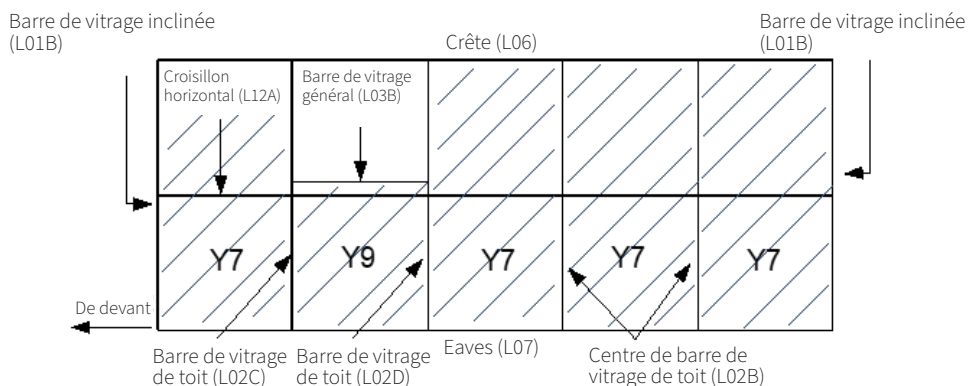
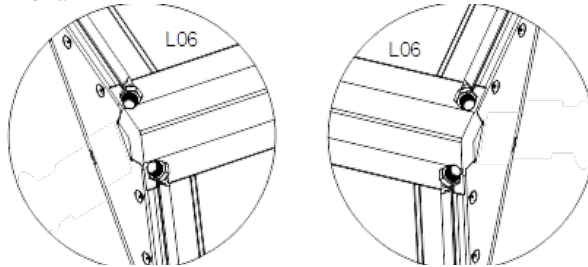


Schéma général des principaux composants du toit.

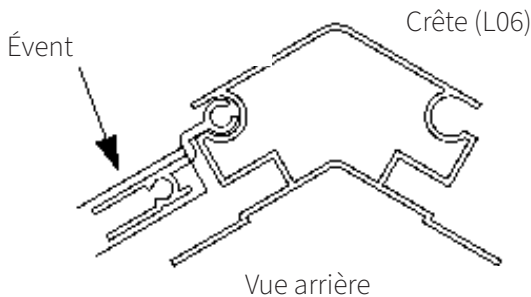
ASSEMBLAGE DE LA SERRE

MONTAGE DE LA TOITURE

Fixez l'extrémité avant du faîte aux barres de vitrage du toit à l'aide des écrous et boulons installés précédemment.



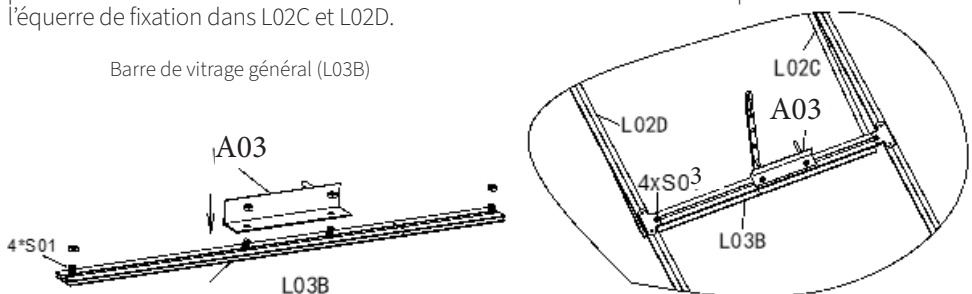
Faites glisser le panneau de ventilation dans le faîte par l'arrière du côté droit (vu de l'avant).



Fixez l'extrémité arrière du faîte aux barres de vitrage du toit à l'aide des écrous et boulons installés précédemment.

Attachez la barre de vitrage (L02C/L02D) à l'avant toit et le faîte sur le côté droit utilisant les vis, ceci supportera la ventilation. Attachez les quatre barres de vitrages (L02B) de l'avant toit jusqu'au faîte utilisant les vis. Attachez les deux barres de vitrage (L02B) à l'avant toit et au faîte sur le côté droit avec les vis.

Glissez quatre boulons (S03) dans la barre de vitrage général (L03B). Utilisez les boulons internes pour attacher le crochet de fenêtre A03. Utilisez les deux boulons externes pour attacher L03B à l'équerre de fixation dans L02C et L02D.



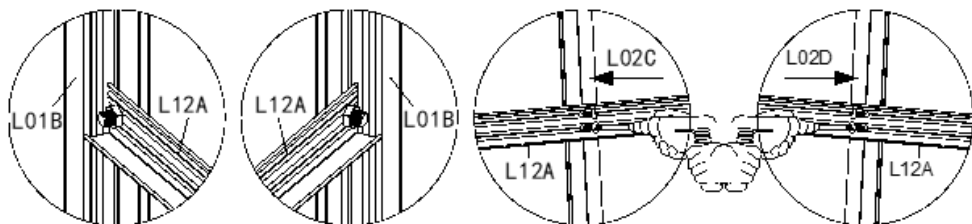
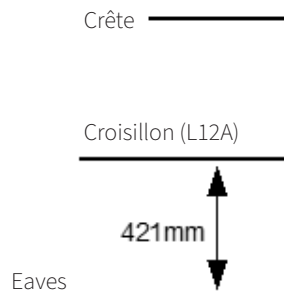
ASSEMBLAGE DE LA SERRE

MONTAGE DE LA TOITURE

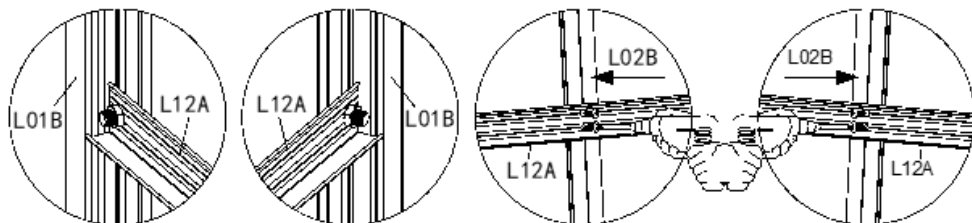
Fixez les deux traverses horizontales (L12A) aux barres de vitrage de toit avant et arrière (L01B) à l'aide des boulons supplémentaires installés précédemment. Le bas de l'entretoise doit se trouver à 421 mm de l'extrémité de la barre de vitrage.

Fixez les entretoises horizontales aux barres de vitrage centrales (L02B/L02C/L02D) à l'aide de deux vis. Notez qu'il y a deux barres L02B sur le côté droit aussi.

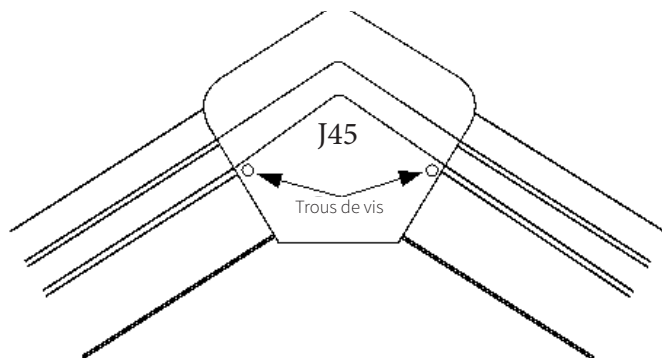
Terminez en installant les deux embouts de faîtage (J45) et en les fixant avec des vis.



VUE INTÉRIEURE (CÔTÉ DROIT)



VUE INTÉRIEURE (CÔTÉ GAUCHE)



ASSEMBLAGE DE LA SERRE

ASSEMBLAGE DE LA PORTE

PIÈCES NECESSAIRES:

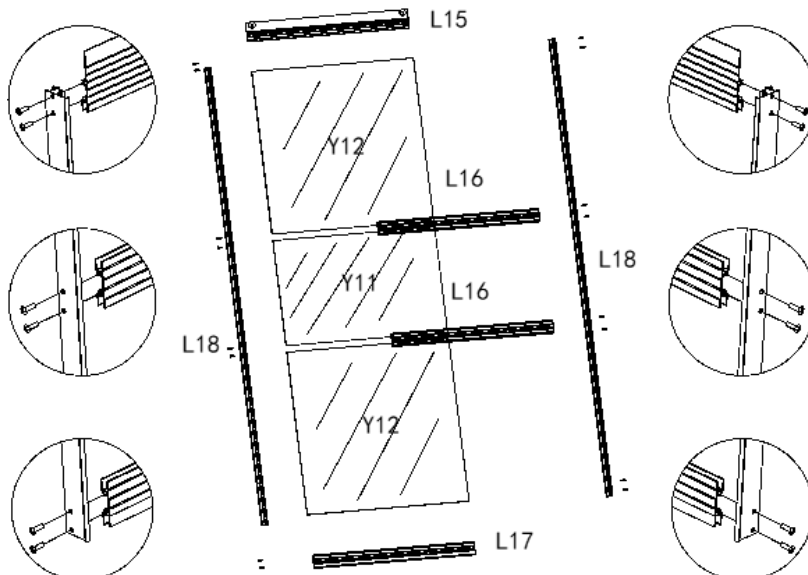
Pièce	Qté	Description
L15	1	Verrière supérieure
L16	2	Verrière centrale
L17	1	Barre pour verrière, inférieure
L18	2	Barre pour verrière, gauche et droite
Y11	1	Panneau pour verrière centrale
Y12	2	Panneau pour verrière inférieur et supérieur
Z08	16	Vis autoperceuse M4.2x16

DESCRIPTION GÉNÉRALE

La porte est composée de deux vitres verticales (L18), quatre vitres horizontales (L15/L16/L17) et 3 panneaux de vitrage. Ceux-ci sont maintenus ensemble par seize vis.

ASSEMBLAGE

1. La béquille sur L18 et les roues en nylon sur L15 doivent être orientées vers l'extérieur. Les canaux à vis sur L16 et L17 doivent être orientés vers l'intérieur.
2. Fixer la barre de vitrage horizontale inférieure (L17) à l'une des barres de vitrage verticales (L18) à l'aide de deux vis. Faites glisser les panneaux de vitrage (Y12) en place. Répétez l'opération avec L16/Y11 et L16/Y12. Fixez L15. Fixez l'autre barre de vitrage verticale (L18) à l'aide de huit vis.

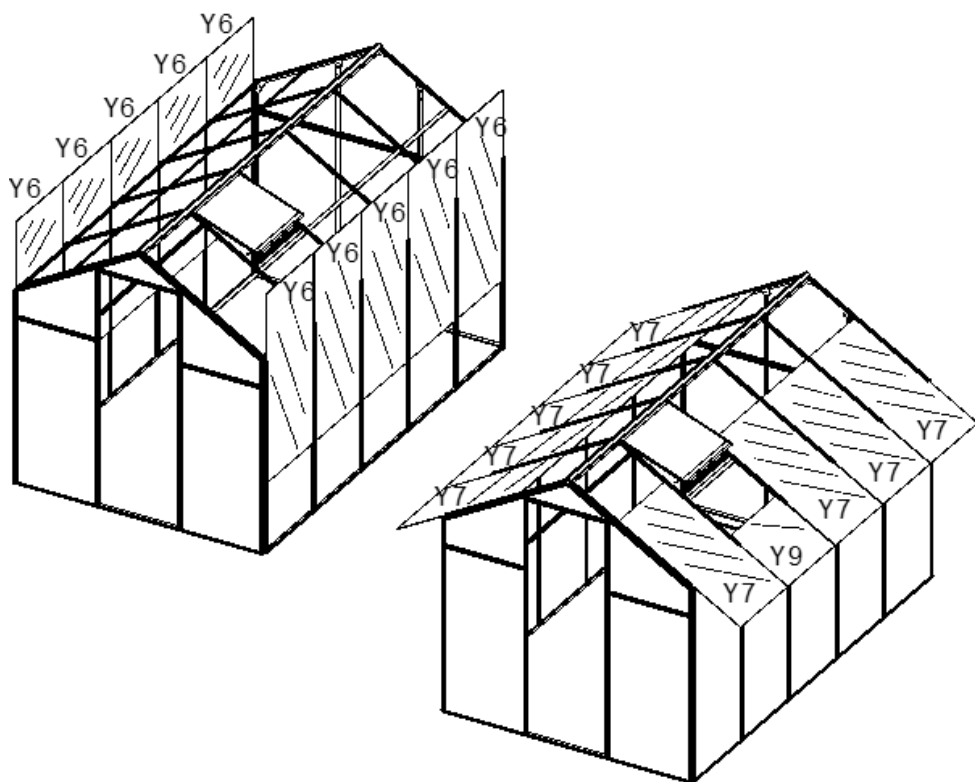


ASSEMBLAGE DE LA SERRE

PANNEAUX DE VERRE

Après l'installation du toit, il est temps d'insérer les panneaux de verre. Les murs latéraux ont dix panneaux de vitrage identique (Y6). Les panneaux s'emboîtent par le haut. Une assistance sera nécessaire pour s'assurer que chaque panneau s'emboîte correctement dans le rail de vitrage dédié.

Installez ensuite la verrière. Il y a neuf panneaux identiques (Y7) et un petit panneau (Y9). Tous les panneaux doivent s'ajuster dans les rails, par-dessus le haut de l'avant-toit et vers le haut en direction du faîte. Encore une fois, il faut prévoir de l'aide pour s'assurer que chaque panneau est bien en place. Le haut du panneau Y9 se place dans la barre de vitrage, sous l'ouverture de l'évent. Le bas des panneaux repose sur l'avant-toit et est maintenu en place par les gouttières.



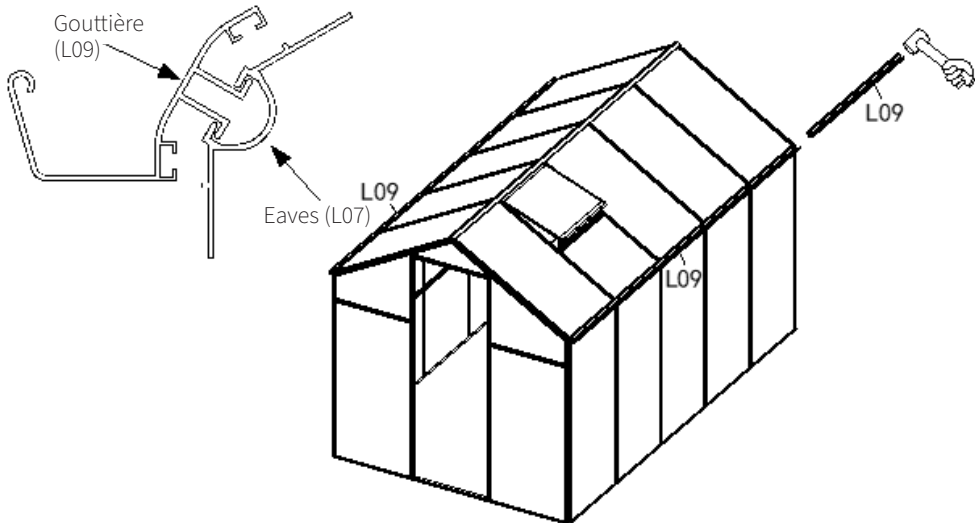
ASSEMBLAGE DE LA SERRE

GOUTTIÈRES

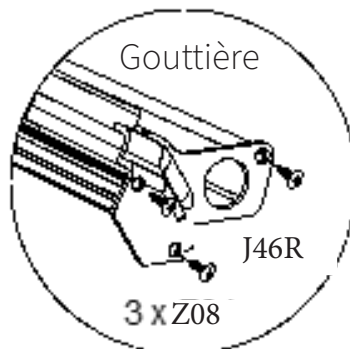
PIÈCES NECESSAIRES:

Pièce	Qté	Description
L09	2	Gouttières
J46L/R	4	Embouts de gouttière, 2 gauches et 2 droites
Z08	12	Vis M4.2x16

Une fois les verrières en place, glisser la gouttière (L09) le long de l'avant-toit (L07). La gouttière se positionne dans une rainure de l'avant-toit. Si nécessaire, utiliser un maillet à face souple.



Une fois en position, fixer les quatre embouts à l'aide de vis.



ASSEMBLAGE DE LA SERRE

FIXATION DES PORTES

PIÈCES NECESSAIRES:

Parte	Qtà	Descrizione
L14	1	Supporto binario porta
L11	1	Barra per vetro centrale (già montata nella parete anteriore)
N/A	1	Assemblaggio porta completato
M01/S03	3	Bulloni M6 (già situati in L11) e dadi
Z08	4	Vite M4.2 x 16
J47	2	Cappuccio terminale della guida

DESCRIPTION GÉNÉRALE

La porte coulissante se déplace sur deux roues en nylon qui roulent sur un rail, boulonné au cadre, au-dessus de l'ouverture de la porte. Le mouvement le long du rail est limité par des bouchons en plastique fixés aux extrémités du rail. Cela garantit que la porte ne peut pas être retirée de l'extrémité du rail. Le bas de la porte se trouve dans le seuil avant (L10).

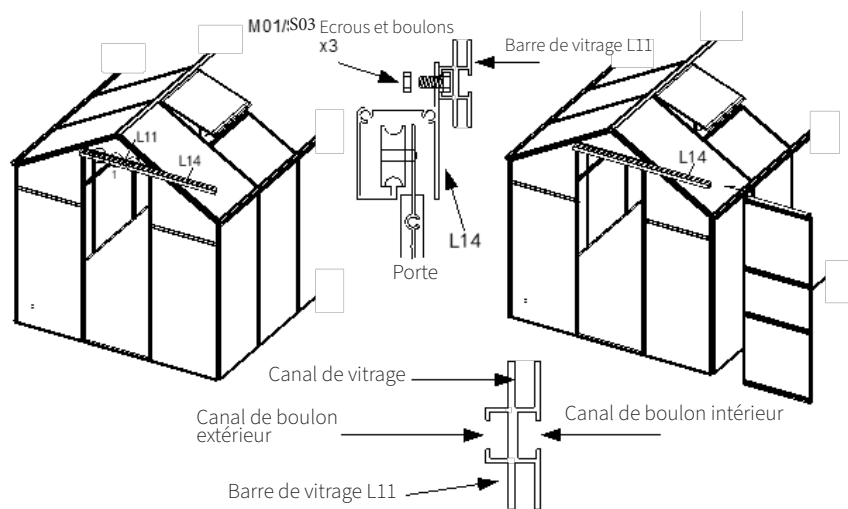
ASSEMBLAGE

Le rail de support de la porte (L14) est percé de trois trous pour pouvoir être boulonné à la barre de vitrage centrale (L11). Les trois boulons nécessaires ont déjà été installés dans L11. Séparez les boulons de manière à ce qu'ils correspondent aux positions des trous dans L14. Placez L14 en position sur les boulons et fixez-le à l'aide de trois écrous.

Glissez la porte sur le rail à l'intérieur de L14 en gardant le bas légèrement éloigné du seuil. Une fois en position, soulevez légèrement la porte et la laissez tomber en position dans le support dédié.

Vérifiez que la porte bouge sans entrave.

Fixez les embouts aux extrémités de L14 et sécurisez-les avec des vis.



ASSEMBLAGE DE LA SERRE

BASE

Une base en acier galvanisé est disponible pour la serre. Celle-ci est recommandée car elle soutient la serre et facilite le maintien de celle-ci à l'horizontale et au bon niveau. Les coins sont fixés par des boulons avec des supports qui servent également de pieds.

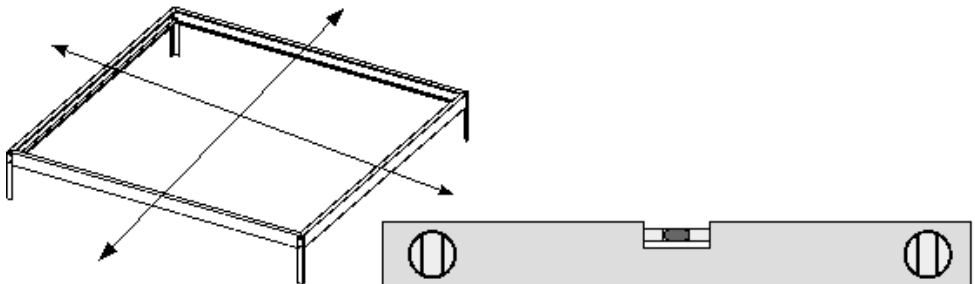
PIÈCES NECESSAIRES:

Pièce	Qté	Description
C	4	Pieds/supports d'angle de la base
A1	2	Poutre base devant/poutre base arrière
B1	2	Poutre base gauche/poutre base droite
S03	16	Vis M4.2 x 16
M01	16	Écrous M6
Z08	36	Boulons M6 x 10

Étalez les poutres de devant/arrière (A1) et les poutres droite/gauche en forme de rectangle. Placez un support à chaque coin avec quatre écrous et boulons.

Il est plus facile de construire la base à l'envers puis de la retourner. Les poutres latérales n'ont pas de sens (ni de haut ni de bas), alors positionnez chaque poutre sur son bord étroit avec la face plate vers l'extérieur. Chaque paire de poutres doit être boulonnée ensemble aux coins à l'aide des supports et de quatre écrous et boulons.

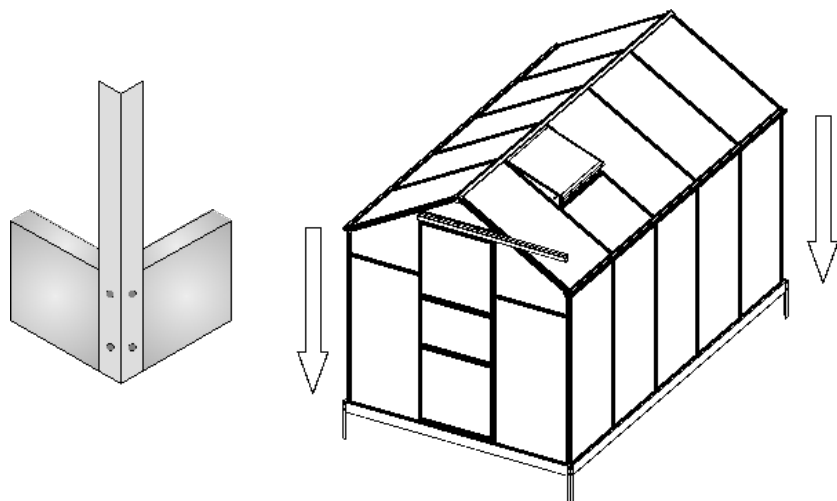
Retournez-la et fixez-la à l'endroit désiré. Assurez-vous qu'elle est correctement placée et au même niveau. Positionnez soigneusement la serre sur le dessus.



ASSEMBLAGE DE LA SERRE

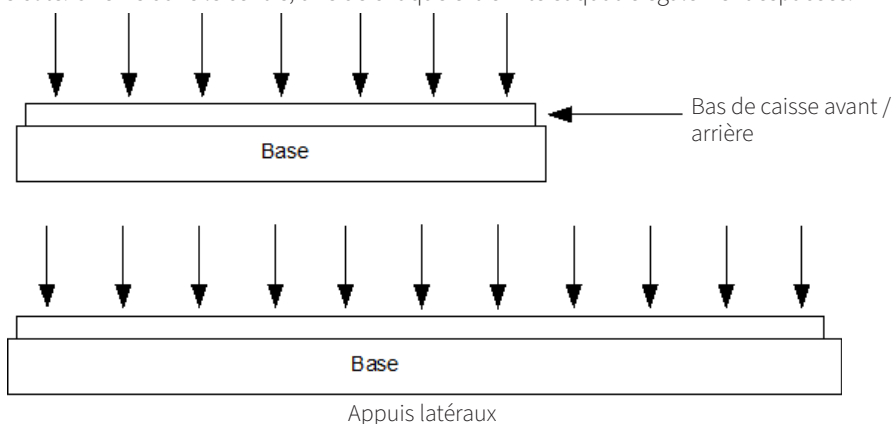
BASE

S'assurer que la base est au niveau à l'avant et à l'arrière et latéralement. Si la serre doit être installée sur du béton ou des blocs de béton, elle doit également être nivelée et à l'horizontale.



FIXATION DE LA BASE

Une fois que la base a été fixée et que la serre est positionnée sur le dessus, elle devra être fixée sur le sol. Ceci se fait à l'aide de vis Z08. Celles-ci sont utilisées pour forer à travers les rebords et dans la base. La base est en acier mais les vis s'inséreront sans grande difficulté. Le nombre et position des vis est à vous de choisir mais il est recommandé d'avoir un minimum de 7 vis pour chaque côté. Une vis dans le centre, une de chaque extrémité et quatre également espacées.



Pour la poutre gauche/droite ont un minimum de 11 vis, espacées de façon égale.

GUIDE D'UTILISATION

CONSIGNES DE NETTOYAGE

1. Rincer les panneaux vitrés à l'eau tiède.
2. Laver les panneaux vitrés avec un savon doux et de l'eau tiède.
3. Utilisez un chiffon doux ou une éponge et nettoyez doucement en faisant des mouvements ascendants et descendants dans le même sens que les cannelures.
4. Rincez le chiffon ou l'éponge et changez souvent l'eau. NE PAS FROTTER ni utiliser de brosses ou de raclours. Le revêtement des panneaux vitrés est délicat et facilement endommageable.
5. Répéter le rinçage autant de fois que nécessaire.

DÉPANNAGE

GUIDE DE RÉOLUTION

QUE DOIS-JE FAIRE S'IL MANQUE DES PIÈCES DANS MA COMMANDE ?

S'il semble y avoir une pièce manquante dans votre commande, contactez notre service clientèle dans les 7 jours suivant sa réception.

POUR TOUT AUTRE PROBLÈME, VEUILLEZ CONTACTER NOTRE SERVICE CLIENTÈLE.



SPECIFICATIE

PRODUCTBESCHRIJVING

De Monster Tuinkas is een platte, eenvoudig te monteren tuinkas van aluminium/polycarbonaat. Het is 6 voet breed en 10 voet lang.

PRODUCTEIGENSCHAPPEN

4 mm polycarbonaat beglazing
1 mm - 1,3 mm aluminium frame
0,8 mm stalen basis (optioneel)
Breedte – 182 cm
Hoogte – 182 cm
Deur – 126 cm
Zijkanten – 126 cm
Lengte – 305 Meter cm
Gewicht - 51kg (met voet)
Gewicht - 41.1kg (zonder voet)

BENODIGDE GEREEDSCHAP & VEILIGHEIDSUITRUSTING

1. Handschoenen
2. Ladder
3. Accu schroefmachine met een Philips 3mm kop.
4. 10mm Engelse sleutel of dopsleutel
5. Gradenboog

Let op! Deze gereedschappen worden niet meegeleverd. Er zijn minimaal twee mensen nodig om deze kas te monteren.

De aansprakelijkheid van Monster Group UK Limited is beperkt tot de commerciële waarde van het product.

SPECIFICATIE

PRODUCTKENMERKEN

- A. Gegalvaniseerd aluminium frame
- B. Dubbelwandige polycarbonaat beglazing
- C. Aluminium nokbalk met holle profielen voor grotere sterkte en stijfheid
- D. Clip vrij beglazingssysteem dat de polycarbonaat beglazing veiliger op zijn plek houdt
- E. Horizontale beugels in de zijwanden en het dak voor een grotere structurele vastheid
- F. Ventilatie dakraam
- G. Schuifdeur
- H. Gegalvaniseerde stalen basis (optioneel)
- I. Zadeldak & Goten



SPECIFICATIE

INHOUD ONDERDELEN

Controleer bij het eerste keer uitpakken van uw kas elk onderdeel van deze lijst om er zeker van te zijn dat alles aanwezig is. Elk onderdeel is duidelijk geëtiketteerd. Als er iets ontbreekt, neem dan contact met ons op voordat u probeert te monteren.

Onderdeel	Aantal	Beschrijving
J45	2	Randeinde dop
J46L	2	Gooteinde dop (links)
J46R	2	Gooteinde dop (rechts)
J47	2	Deurrail einde dop
L10	1	Dorpel voorkant
L11	1	Muur voorkant horizontale profiel midden
L12A	4	Horizontale dwars steun
L13	1	Dorpel achter
L14	1	Deur draagrail
L15	1	Deurprofiel, bovenkant
L16	2	Deurprofiel, midden
L17	1	Deurprofiel, onderkant
L18	2	Deurprofiel, links en rechts
L19	2	Ventilatiedakraam profiel, links en rechts
L20	1	Ventilatiedakraam profiel, bovenkant
L21	1	Ventilatiedakraam profiel, onderkant
LO1A	4	Voor- en achterwand buiten, verticale profielen links en rechts
LO1B	4	Schuin dak profiel (2 voor + 2 achter)
LO2A	8	Zijwanden profiel midden
LO2B	6	Dak profiel midden, vlakke zijde
LO2C	1	Plafond raamprofiel, ventilatie kant
LO2D	1	Plafond raamprofiel, ventilatie kant
LO3B	6	Algemeen profiel
LO4A	2	Voor- en achterwand, muur binnenkant verticaal profiel links
LO4B	2	Voor- en achterwand, muur binnenkant verticaal profiel rechts

SPECIFICATIE

INHOUD ONDERDELEN

Onderdeel	Aantal	Beschrijving
LO5A	1	Achterwand horizontale beugel
LO5B	2	Voorwand horizontale beugel links en rechts
LO6	1	Dakrand
LO7	2	Zijkant boven profiel
LO8A	2	Dorpel zijwand
LO9	2	Goot
MO1	46	M6 Moeren
SD1	46	M6 Bout
SD2	2	M4 Bout
M02	2	M4 Moer
D47	6	Hoeksteunplaat
A01	1	Raambegrenzer
A03	1	Raambegrenzer beugel
Y1	2	Voor- en achterwand rechter glaspaneel boven.
Y10	1	Ventilatie raam glaspaneel
Y11	1	Glas paneeldeur midden
Y12	2	Glas paneel boven en onder
Y2	5	Voorste en achterwand glaspaneel onder
Y3	1	Achterwand boven midden glaspaneel
Y4	2	Voor- en achterwand boven linker glaspaneel
Y5	1	Voorwand boven midden glaspaneel
Y6	10	Zijwand glaspaneel
Y7	9	Dak glas paneel (groot)
Y8	0	Niet gebruikt
Y9	1	Dak glaspaneel (klein)
Z08	168	Zelf tappend schroef
C	4	Basis hoekpoten/ beugel
A1	2	Basis Voorkant/ Achter Steunbalk
B1	2	Basis Links/ Rechter balk

VEILIGHEIDSADVIES

VEILIGHEIDSVOORSCHRIFTEN

Lees A.U.B de veiligheidsvoorschriften door om letsel of schade aan de kas te voorkomen.

Zorg ervoor dat u de handleiding en de veiligheidsvoorschriften hebt gelezen en volledig begrijpt voordat u dit product monteert.

Er zijn minimaal twee mensen nodig om deze kas te monteren.

Zorg ervoor dat deze kas volgens deze instructies gemonteerd wordt.

Probeer deze kas niet op een winderige dag te monteren.

Zorg ervoor dat deze kas op een vlakke ondergrond is gemonteerd en geplaatst.

Zorg ervoor dat dit product stevig is gemonteerd.

Zorg ervoor dat dit product op een veilige plek wordt geplaatst. Dit product moet aan de grond worden verankerd.

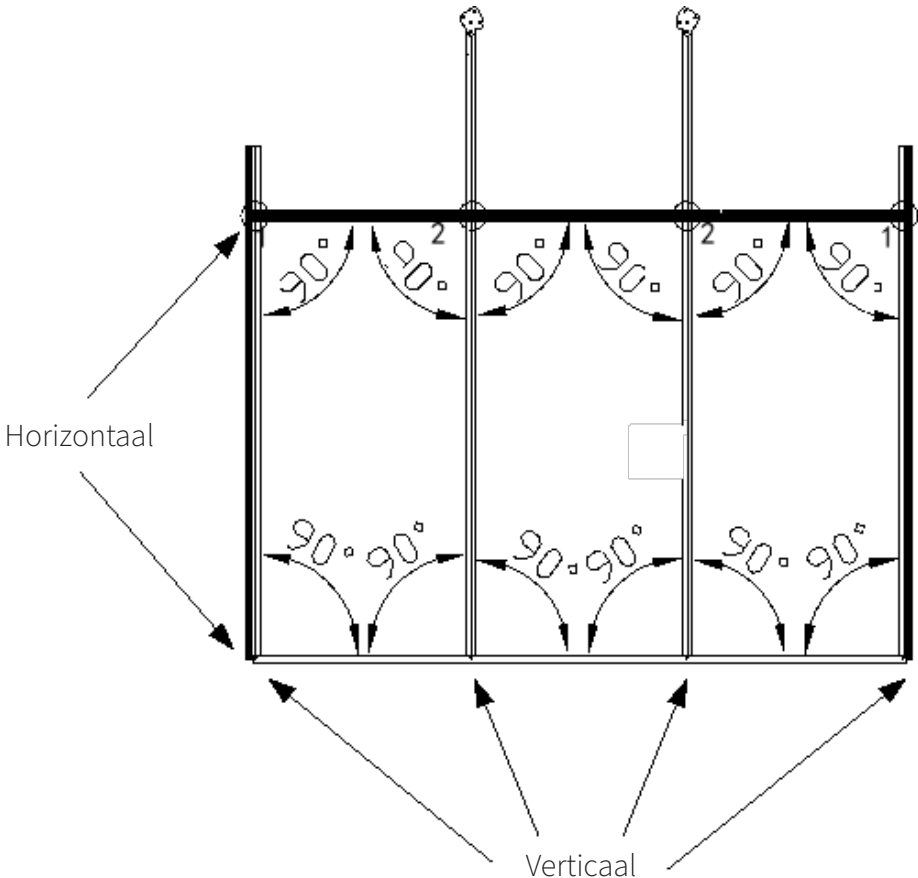
Gebruik dit product niet voor een ander reden dan waarvoor het bedoeld is. Zorg ervoor dat alle andere materialen die met dit product worden gebruikt, voldoen aan de standaard.

GEBRUIKERSHANDLEIDING

ALGEMENE MONTAGE RICHTLIJNEN

De kas bestaat uit een aantal verschillende secties. De montagemethode is in principe hetzelfde voor alle secties. Leg de componenten op de vloer in het patroon waarin ze worden geassembleerd. Bestudeer de tekeningen en zorg ervoor dat u begrijpt hoe elk onderdeel wordt geassembleerd.

Met uitzondering van het dak zijn alle hoeken een rechte hoek (90 graden). De basis van de kas moet vlak en horizontaal zijn. Alle staanders zullen dan verticaal zijn. Dit is van cruciaal belang om ervoor te zorgen dat de glaspanelen correct passen.



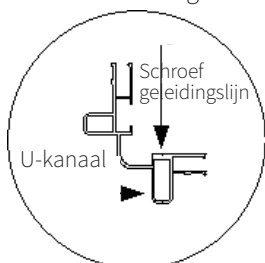
GEBRUIKERSHANDLEIDING

ZELFBORENDE/ ZELFTAPPENDE SCHROEVEN

Er zitten geen voorgeboorde gaten in het frame voor de schroeven. Om deze reden worden zelf borende/ zelf tappende schroeven gebruikt. Deze zullen het aluminium frame gemakkelijk doorboren. Het wordt aanbevolen om een accu schroefmachine te gebruiken, idealiter met variabele snelheid.

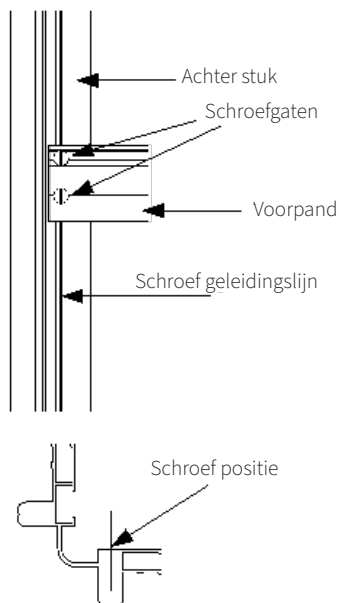
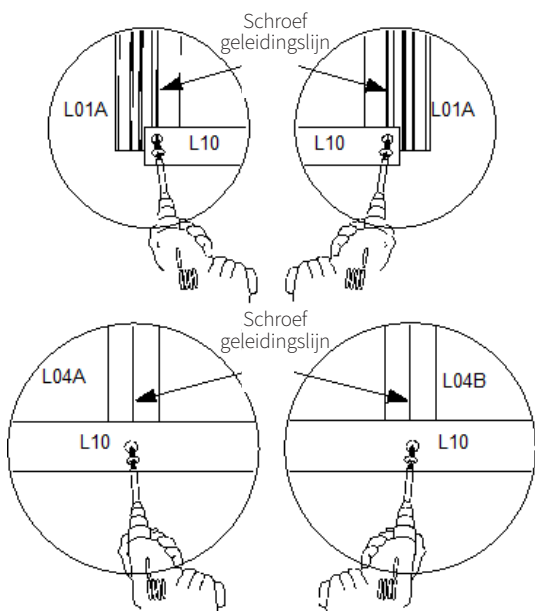
Waar schroeven moeten worden gebruikt, is een geleidingslijn in de aluminiumcomponent gemarkeerd.

Aan de achterzijde van het onderdeel bevindt zich een kanaal in de vorm van een langwerpige U om de schroef op te nemen (zie diagram). Dit geldt voor bijna alle schroefbevestigingen. Waar dit niet het geval is, worden details verstrekt in de instructies over hoe verder te gaan.



Elk vast te maken stuk heeft één of twee schroefgaten voorgeboord. Zodra dit stuk is gepositioneerd, is de schroef geleidingslijn zichtbaar door de opening(en). Boor met behulp van een accu schroefmachine de schroeven in het achterstuk met behulp van de opening(en) en de geleidingslijn om de juiste positie vast te stellen.

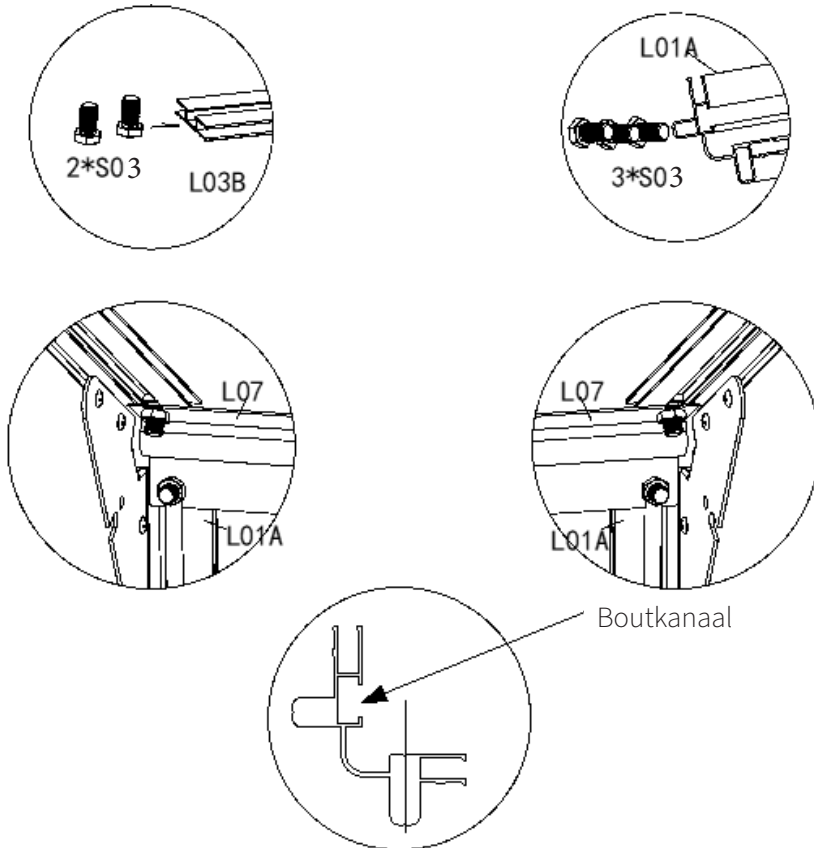
Voorbeelden van het gebruik van de zelfborende schroeven



GEBRUIKERSHANDLEIDING

MOEREN EN BOUTEN

Veel van de componenten worden vastgezet met moeren en bouten.



Voorbeelden van het gebruik van de boutkanalen

Bij het vastzetten van componenten met de moeren (M01) en bouten (S03) wordt de bout in het boutkanaal gestoken. Het vast te maken onderdeel wordt over de uitstekende bout geplaatst. Vervolgens wordt een moer op de bout geschroefd en vastgedraaid om het onderdeel op zijn plaats te houden. In sommige gevallen is het nodig om extra bouten in het boutkanaal te steken voor later gebruik. Dit is belangrijk omdat ze later in de montage worden gebruikt om componenten te vast te maken. Om te voorkomen dat deze extra bouten los zitten, kan een moer worden ingeregend en met de hand worden vastgedraaid. Waar dit niet het geval is, worden details verstrekt in de instructies over hoe verder te gaan.

GEBRUIKERSHANDLEIDING

GLAS PANELEN

De panelen zijn gelabeld en bedekt met een beschermende film, aan de ene kant wit en aan de andere kant helder.

De glas panelen zijn aan één zijde behandeld ter bescherming tegen schade door zonlicht (Verwar deze niet met de beschermfolie). Deze behandelde zijde moet naar buiten wijzen om bescherming te bieden voor de glas panelen.

Trek bij het aanbrengen van een paneel de folie weg in een strook van 5 cm rondom het paneel aan beide zijden. Panelen moeten met de witte kant naar buiten worden gemonteerd. Ze kunnen worden gebruikt als afstand houders voor een deel van het frame, bijvoorbeeld: Binnenste verticale profielen voor en achterwand.

De glas kanalen zijn 10 mm diep en de panelen moeten helemaal naar de onderkant van dit kanaal worden geschoven.

TUINKAS MONTAGE

VOORWAND

BENODIGDE ONDERDELEN:

Onderdeel	Aantal	Beschrijving
L01A	2	Voor- en achterwand buitenkant verticale profielen links en rechts
L01B	2	Schuin dak profiel
L03B	2	Algemene profiel
L04A	1	Voor- en achterwand binnenkant verticaal profiel links
L04B	1	Voor- en achterwand binnenkant verticaal profiel rechts
L05B	2	Voorwand horizontale beugel links en rechts
L11	1	Muur voorkant horizontaal profiel midden
L10	1	Dorpel voorkant
Y1	1	Voor- en achterwand rechter glaspaneel boven.
Y2	2	Voor en achterwand glaspaneel onder
Y5	1	Voorwand boven midden glaspaneel
Y4	1	Voor- en achterwand boven linker glaspaneel
D47	3	Hoeksteunplaat
Z08	24	Schroef
S03	9	M6 Bout
M01	9	M6 moer

ALGEMENE BESCHRIJVING

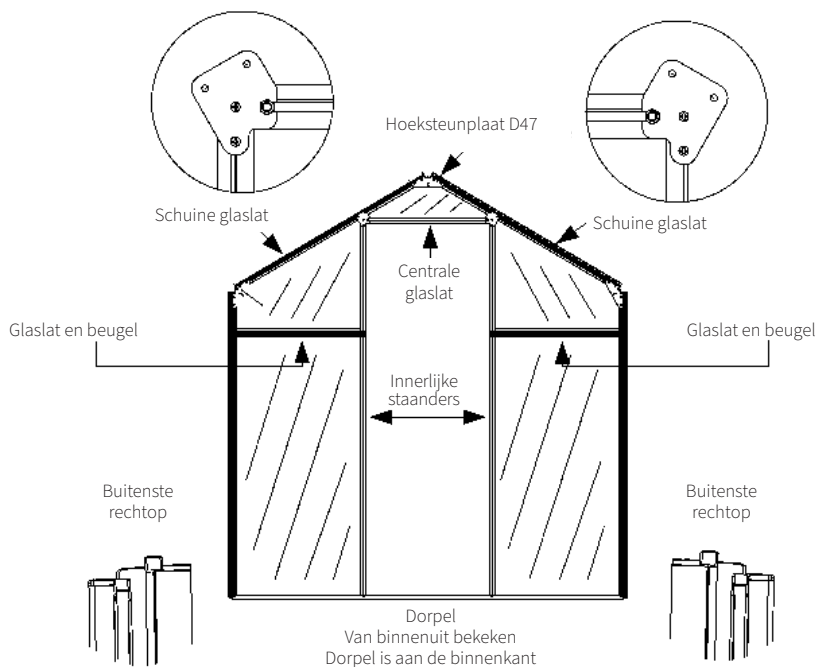
De voorwand bestaat uit een dorpel (L10), 2 buitenste standers (L01A), 2 binnenste standers (L04A & B), 2 profielen (L03B), 2 beugels (L05B), 2 schuine dak profielen (L01B) en een centraal profiel (L11).

Begin met het leggen van alle componenten op de vloer. Zorg ervoor dat u alle componenten hebt en dat u hun positie en oriëntatie begrijpt.

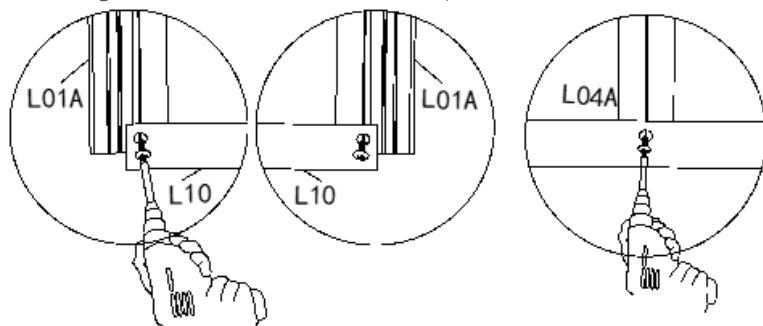
De voor- en achterwanden zijn klein en licht genoeg om binnenshuis (bijvoorbeeld in een garage) te worden gemonteerd en dan naar de beoogde montage locatie te worden gebracht.

TUINKAS MONTAGE

VOORWAND



1. Begin met het bevestigen van 1 buitenste staander (L01A) aan de dorpel met een schroef, beide kanten volstaan. De opstaande rand van de dorpel bevindt zich aan de binnenkant. Zorg ervoor dat de staanders rechtop staan.

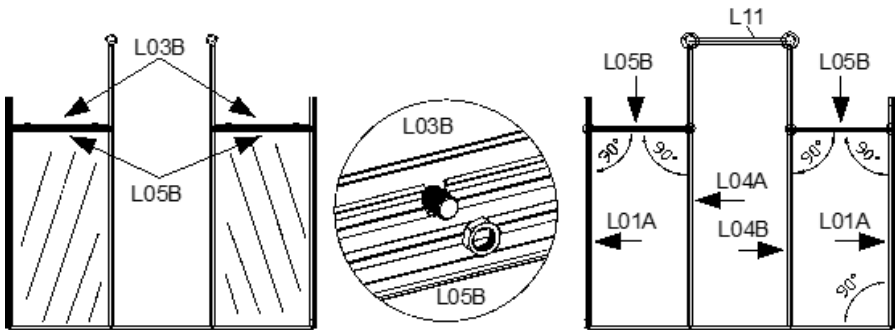


2. Plaats een onderste glaspaneel (Y2) en gebruik dit als afstand houder om de binnenste staander (L04A) aan die kant te plaatsen.
3. Bevestig de binnenste staander met een schroef. Zorg ervoor dat de gleuf in de beugel aan de bovenkant naar binnen wijst.
4. Herhaal dit voor de andere kant.

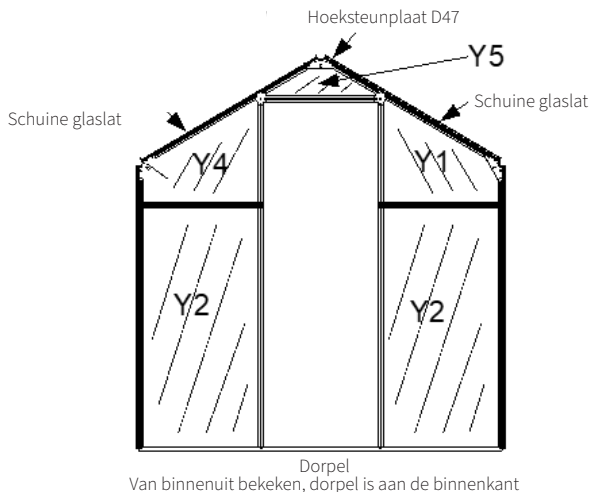
TUINKAS MONTAGE

VOORWAND

5. Plaats 2 x M6-bouten in elk van de 2 (L03B) profielen. Plaats een profiel bovenop elk van de 2 onderste glasplaten.
6. Breng een horizontale beugel (L05B) aan op een van de profielen. Na het aanpassen van de positie van de bouten, zet het op de juiste plek. Plaats een moer op elk van de bouten en draai ze met de hand vast.
7. Herhaal dit voor het andere glaspaneel.



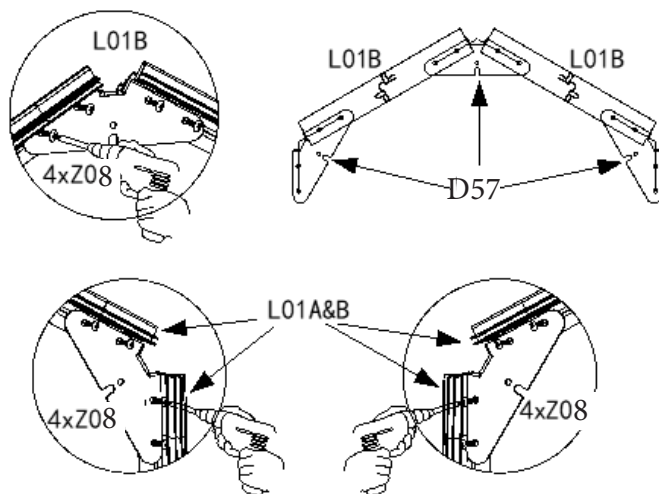
8. Zet elke beugel vast met een schroef aan elk uiteinde, maar draai deze niet volledig vast.
9. Controleer of het wandpaneel stevig vast zit. Draai de schroeven en de 4 moeren vast.
10. Plaats en draai een tweede schroef aan elk uiteinde van beide beugels vast.
11. Plaats drie bouten in het buitenste boutkanaal van het centrale profiel (L11) voor later gebruik. Plaats twee bouten in het binnenste boutkanaal en gebruik deze om de stang tussen de twee beugels boven op de binnenste staanders te bevestigen.
12. Plaats de drie bovenste glaspanelen (Y1, Y4 & Y5) op hun plaats.



TUINKAS MONTAGE

VOORWAND

13. Plaats de 2 schuine dak profielen (L01B) op de bovenste glas panelen. Bevestig deze op hun plaats met 3 hoeksteunplaten (D47) met behulp van 12 schroeven.



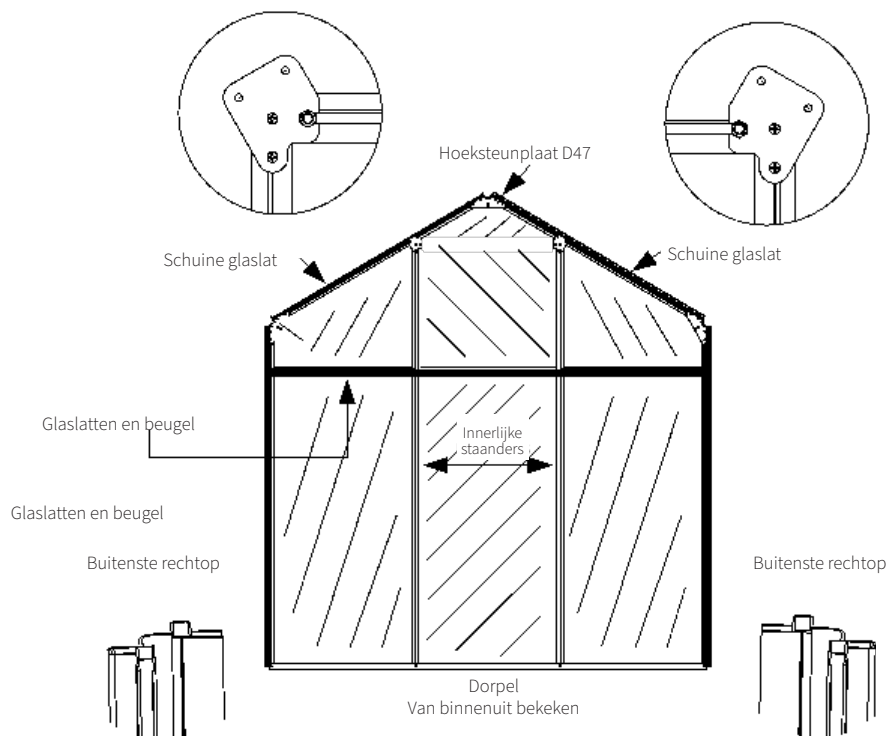
ACHTERWAND

BENODIGDE DONDERDELEN:

Onderdeel	Aantal	Beschrijving
L01A	2	Voor- en achterwand buiten, verticale profielen links en rechts
L01B	2	Schuine dak beglazing links en rechts
L03B	3	Algemeen profiel
L04A	1	Voor- en achterwand binnenkant verticaal profiel links
L04B	1	Voor- en achterwand binnenkant verticaal profiel rechts
L05A	1	Achterwand horizontale beugel
L13	1	Dorpel achter
Y1	1	Voor- en achterwand rechter glaspaneel boven.
Y2	3	Achterwand onderste glas paneel
Y3	1	Achterwand boven midden glaspaneel
Y4	1	Achterwand bovenste glaspaneel links
D47	3	Hoeksteunplaat
Z08	24	Schroef
S03	6	M6 Bout
M01	6	M6 moer

TUINKAS MONTAGE

PAROI ARRIÈRE



ALGEMENE BESCHRIJVING

Net als bij de voorwand bestaat de achterwand uit een dorpel, 2 buitenste staanders, 2 binnenste staanders, 2 schuine dak profielen en 3 algemene profielen. Deze keer is er echter maar 1 beugel die over de volle breedte van de muur loopt.

Leg alle componenten op de vloer. Zorg ervoor dat u alle componenten hebt en dat u hun positie en oriëntatie begrijpt.

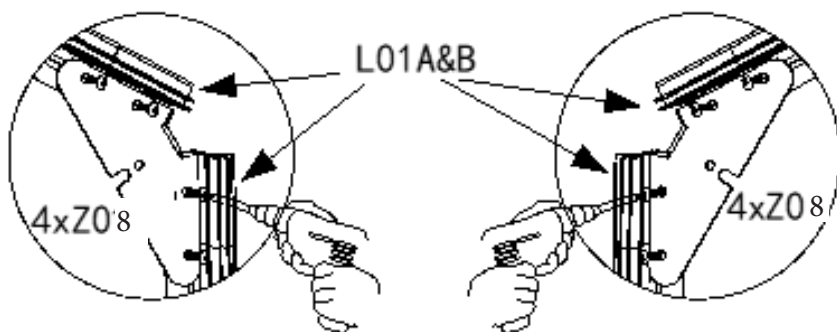
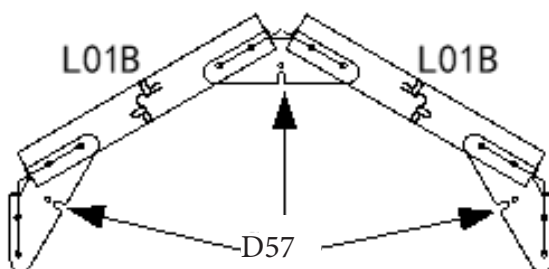
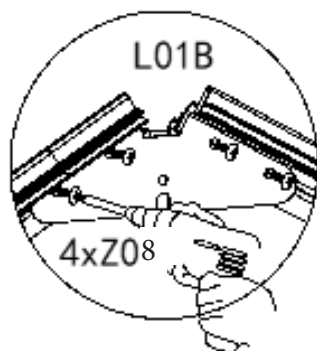
MONTAGE

1. Begin met het bevestigen van 1 buitenste staander (L01A) aan de dorpel met een schroef, beide kanten volstaan. Zorg ervoor dat de staanders rechtop staan.
2. Plaats een onderste glaspaneel (Y2) en gebruik dit als afstand houder om de binnenste staander (L04A) aan die kant te plaatsen.
3. Bevestig de binnenste staander met een schroef.
4. Herhaal dit voor de andere kant
5. Plaats het middelste glaspaneel.
6. Plaats 2 x M6-bouten in elk van de 3 (L03B) profielen. Plaats een profiel bovenop elk van de 3 onderste glasplaten.
7. Plaats de 3 bovenste glaspanelen.

TUINKAS MONTAGE

ACHTERWAND

8. Breng de horizontale beugel (L05A) omhoog en til het, na het aanpassen van de positie van de bouten, op zijn plaats. Plaats een moer op elk van de bouten en draai ze met de hand vast.
9. Zet elke beugel vast met een schroef aan elk uiteinde, maar draai deze niet volledig vast.
10. Controleer of het wandpaneel vierkant is.
11. Draai de buitenste schroeven en de 6 moeren vast.
12. Bevestig de beugel aan de binnenste staanders met elk 1 schroef.
13. Controleer nogmaals of alles vierkant is en bevestig vervolgens de beugel aan de 4 staanders met nog 4 schroeven.
14. Plaats de 2 schuine dak profielen (L01B) op de bovenste glas panelen. Zet deze vast met 3 hoeksteunen (D47).



TUINKAS MONTAGE

ZIJWAND - LINKS EN RECHTS

BENODIGDE ONDERDELEN:

Onderdeel	Aantal	Beschrijving
L02A	8	Verticale glasprofielen voor zijwanden
L08A	2	Dorpel zijwand
L07	2	Zijwand dakranden
L12A	2	Zij wand horizontale dwars steun
M01	24	M6 Moeren
S03	24	M6 Bout
Z08	32	M4.2x16 schroef
Y6	10	Zijwand glas paneel

ALGEMENE BESCHRIJVING

Elk bestaat uit een dorpel (L08A) aan de voet, een dakrand (L07) bovenin, vier verticale glasprofielen (L02A) aan de binnenkant en een kruisbeugel (L12A). Ze hebben geen buitenste staanders, omdat deze worden gevormd door de buitenste staanders op de voor- en achterwanden. Ze hebben ook elk vijf glaspanelen (Y6).

De drie horizontale delen van de zijwanden (dorpel, beugel en dakrand) verbinden de voorwand effectief met de achterzijde. Deze zijn beveiligd met bouten en moeren. Er zijn er drie nodig voor elke hoek, dus twaalf in totaal.

De dakrand moet op dit moment ook worden vastgeschroefd aan de dak profielen. Het is een goed idee om alle bouten en moeren die nodig zijn voor het dak te installeren voordat dit gebeurt. Voor elke glasprofiel zijn er drie nodig, dus twaalf in totaal.

Voor-/ achterwand voorbereiding

Begin met het installeren van drie bouten in het boutkanaal van elke buitenste staander (L01A) van de voor- en achterwand. Het is een goed idee om vóór installatie een moer op elke bout te schroeven. Bovenaan is één bout nodig, één onderaan en één in het midden, dus schuif de bouten grof op hun plaats en draai de moeren hand vast aan om te voorkomen dat ze eruit glijden.

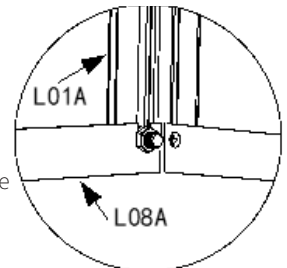
Installeer vervolgens drie bouten in elke dakbeglazingprofiel (L01B). Bovenaan is één bout nodig, één onderaan en één in het midden, dus schuif de bouten op hun plaats en draai de moeren handvast aan om te voorkomen dat ze naar buiten glijden.

Zijwand montage

Om met de constructie van de zijwanden te beginnen, moeten de voor- en achterwanden rechtop op de juiste afstand van elkaar en in de juiste richting worden gehouden. Plaats de componenten van elke zijwand aan beide kanten. Beide kanten zijn hetzelfde, dus het maakt niet uit wat eerst wordt gedaan.

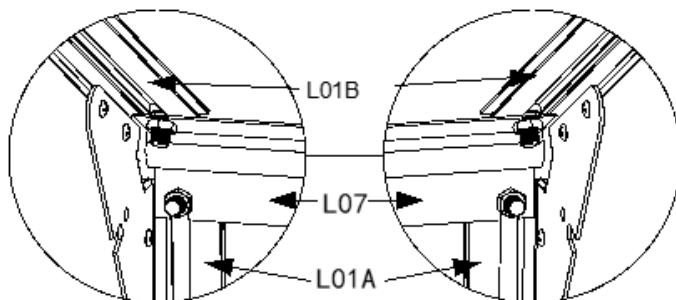
Bevestig de dorpel (L08A) aan de voorste en achterste buitenste staanders (L01A) met behulp van de reeds geïnstalleerde moer en bout.

Bevestig de dakrand (L07) aan de voorste en achterste buitenste staanders (L01A) met behulp van de reeds geïnstalleerde moer en bout. Bevestig ook de dak profielen (L01B) aan de dakrand met behulp van de moer en bout die al in het dak stangen is geïnstalleerd.

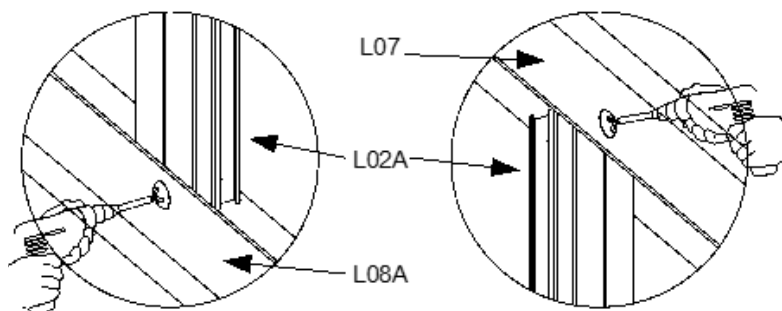


TUINKAS MONTAGE

ZIJWAND - LINKS EN RECHTS

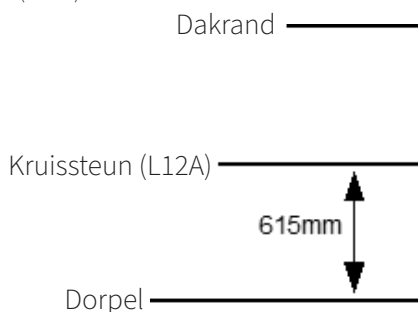


Bevestig het verticale profiel (L02A) aan de dorpel en aan de dakrand met een enkele schroef aan elk uiteinde.



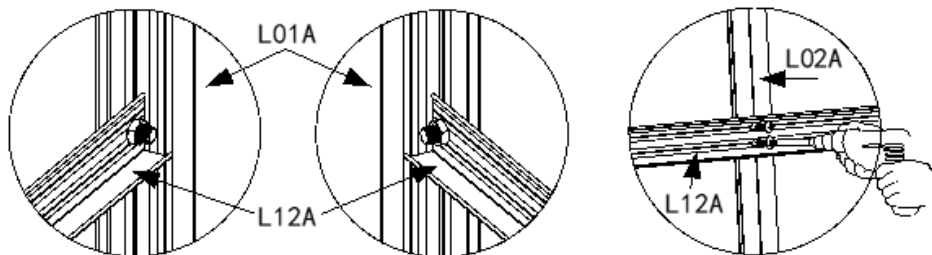
Zorg ervoor dat alle binnenhoeken 90 ° zijn

Bevestig de horizontale dwarsbeugel (L12A) aan de verticale staanders (L01A), met behulp van de reeds geïnstalleerde bouten, op een hoogte van 615 mm van de onderkant van de staander tot de onderkant van de beugel. Bevestig de dwarsbeugel met twee schroeven aan het middelste profiel (L02A).



ASSEMBLAGE DE LA SERRE

ZIJWAND - LINKS EN RECHTS



Herhaal dit voor de andere kant.

VENTILATIE DAKRAAM MONTAGE

De ventilatie dakraam bestaat uit vier profielen, één glaspaneel en een raambegrenzer (A01). De profielen worden samengehouden met vier schroeven. Het raam scharnier bovenaan (vanaf de nok (L06)) met de raambegrenzer onderaan. De raambegrenzer wordt bevestigd met twee M4-moeren en bouten.

BENODIGDE ONDERDELEN:

Onderdeel	Aantal	Beschrijving
L19	2	Ventilatiooster links en rechts
L20	1	Ventilatieraam profiel, bovenkant
L21	1	Ventilatieraam profiel, onderkant
A01	1	Raambegrenzer
Y10	1	Ventilatie raam glas paneel
Z08	4	M4.2x16 schroef
S28	2	M4x10 bout
M2	2	M4 Moer

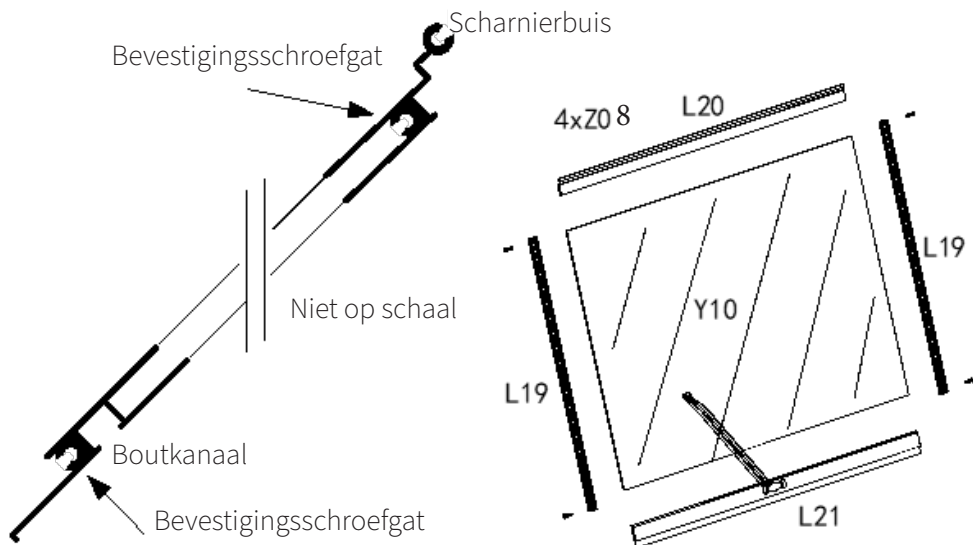
Plaats het glaspaneel (Y10) in het bovenste profiel (L20). De scharnierbuis moet zich bovenaan bevinden (zie tekening).

Bevestig twee zijprofielen (L19), met de geribbelde zijde naar boven, met schroeven. Steek twee bouten (S28) in het boutkanaal in het onderste profiel (L21).

Bevestig het onderste profiel, met het boutkanaal naar beneden, met behulp van 2 schroeven (zie tekening). Monteer de raambegrenzer over de twee bouten en zet het vast met twee moeren.

TUINKAS MONTAGE

VENTILATIE DAKRAAM MONTAGE



DAK MONTAGE

BENODIGDE ONDERDELEN:

Onderdeel	Aantal	Beschrijving
L06	1	Dakrand
L02B	6	Dak beglazing balk midden, vlakke zijde
L02C	1	Dak beglazing binnenzijde, vleugelzijde
L02D	1	Dak beglazing binnenzijde, vleugelzijde
L12A	2	Horizontale dwars steun dak
L03B	1	Algemene glas balk
Z08	32	M4.2x16 schroef
A03	1	Raambegrenzer beugel
M01/ S03	4	M6 moeren en bout
Y7	9	Dak glaspaneel
Y9	1	Dak glaspaneel voor ventilatie dak zijde
J45	2	Rand einde dop

TUINKAS MONTAGE

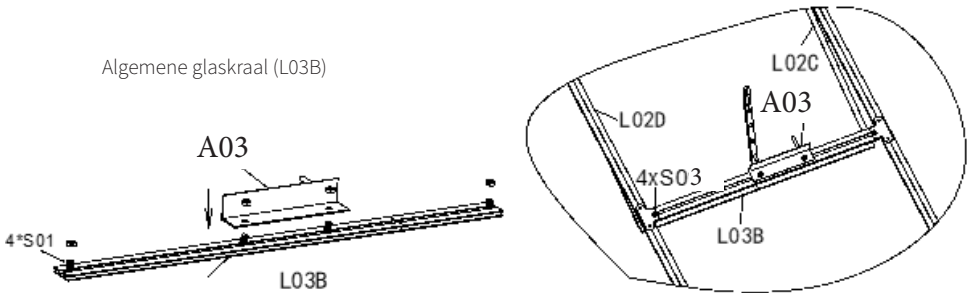
DAK MONTAGE

ALGEMENE BESCHRIJVING

Het dak bestaat uit een nok (L06) die loopt van de top van de voorwand tot de top van de achterkant, vier glasprofielen (L02B) die langs de linkerkant van de nok naar de dakrand lopen, vier glasprofielen (L02Bx2/ L02C/ L02D) die langs de rechterzijde (ventilatieopening) van de nok naar de dakrand lopen en twee dwarsbeugels (L12A) die van voor naar achter over het midden van elke zijde lopen.

Dit verdeelt het dak in tien delen. Negen van de secties zijn hetzelfde. Het tiende deel (2e vak rechts gezien vanaf de voorkant) bevat de ventilatieopening. Deze sectie heeft een ander glaspaneel (Y9). De andere negen hebben identieke glaspanelen (Y7)

Het glaspaneel (Y9) is bedekt met een algemeen glasprofiel (L03B). Dit biedt niet alleen een steunplaats voor het uiteinde van het glaspaneel, maar houdt ook de raamsteun vast (A03). Het glasprofiel (L03B) is aan beide uiteinden bevestigd aan de binnenste glaslatten (L02C/ D) met de beugels die al bevestigd zijn aan de latten.



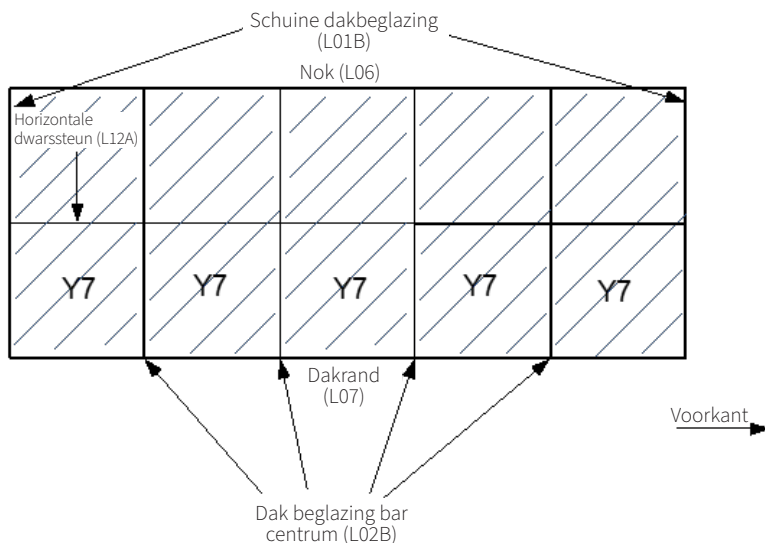
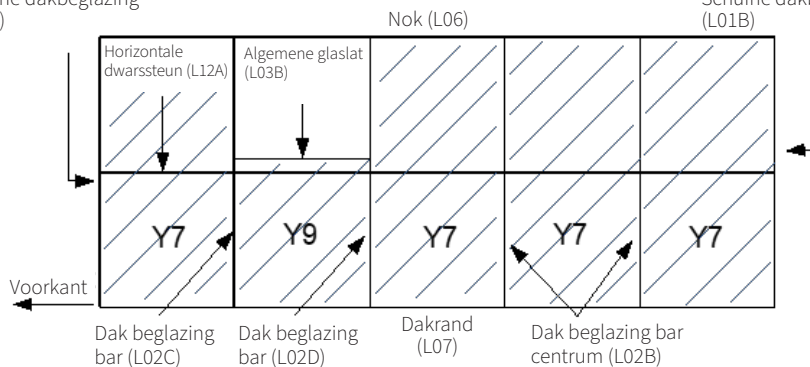
TUINKAS MONTAGE

DAK MONTAGE

BELANGRIJKE DAK COMPONENTEN

Schuine dakbeglazing (L01B)

Schuine dakbeglazing (L01B)

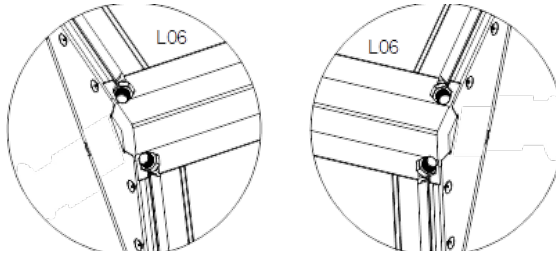


Binnenaanz Algemeen schema van de hoofdcomponenten van het dak.

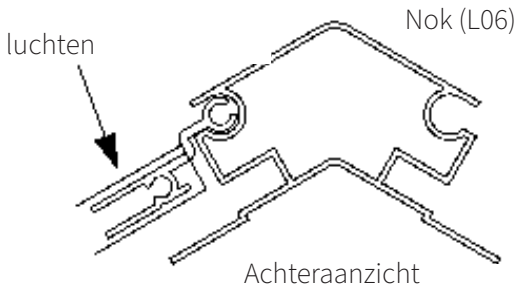
TUINKAS MONTAGE

DAK MONTAGE

Bevestig het voorste uiteinde van de nok aan de dak profielen met de eerder geïnstalleerde moeren en bouten.

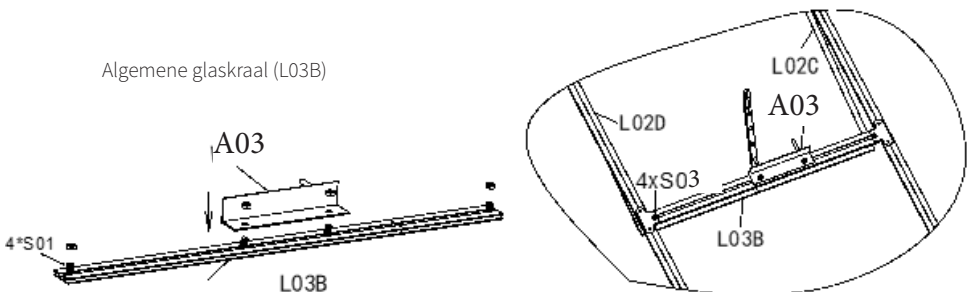


Schuif het ventilatieraam paneel vanaf de achterkant aan de rechterkant (van voren gezien) in de nok.



Bevestig de glasprofielen (L02C/ L02D) aan de dakrand en de nok aan de rechterkant met behulp van schroeven, dit ondersteunt de ventilatieopening. Bevestig de vier glasprofielen (L02B) aan de dakrand en de nok aan de linkerkant met behulp van schroeven. Bevestig twee glasprofielen (L02B) aan de dakrand en de nok aan de rechterkant met schroeven.

Schuif vier bouten (S03) in het algemene glasprofiel (L03B). Gebruik de binnenste twee om de raamsteun A03 te bevestigen. Gebruik de twee buitenste bouten om L03B aan de beugels in L02C en L02D te bevestigen.



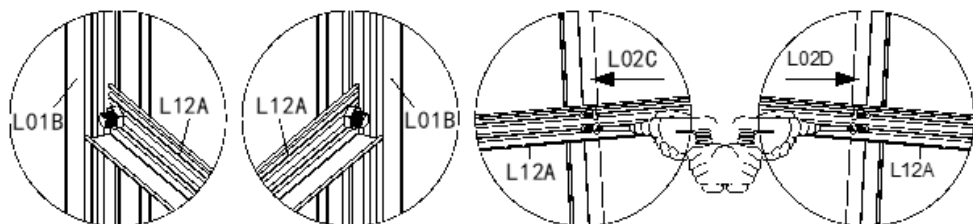
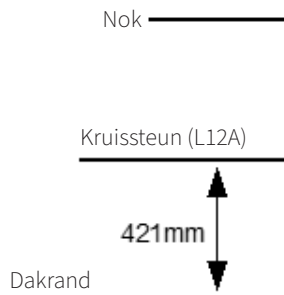
TUINKAS MONTAGE

DAK MONTAGE

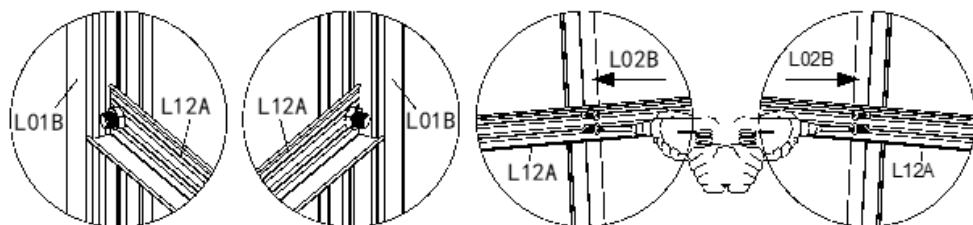
Bevestig de twee horizontale dwarsbeugels (L12A) aan de voorste en achterste dak profielen (L01B) met behulp van de eerder geïnstalleerde extra bouten. De onderkant van de beugel moet zich op 421 mm van het uiteinde van de profiel bevinden.

Bevestig de horizontale dwarsbeugels aan de centrale profielen (L02B/ L02C/L02D) met behulp van twee schroeven.

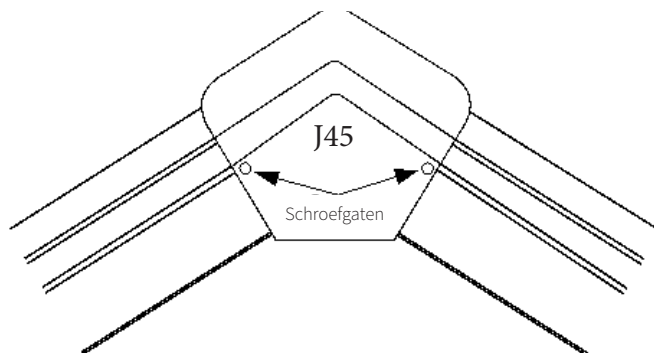
Maak het dak af door de twee nok eindkappen (J45) te installeren en vast te zetten met schroeven. Let op: er zijn ook twee L02B-balken aan de rechterkant.



BINNENKANT (RECHTERKANT)



BINNENKANT (LINKERKANT)



TUINKAS MONTAGE

DEUR MONTAGE

BENODIGDE ONDERDELEN:

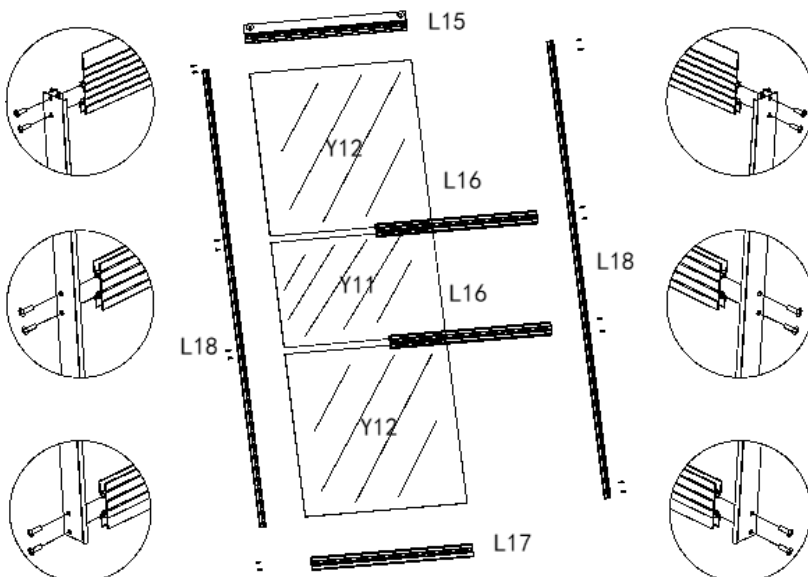
Onderdeel	Aantal	Beschrijving
L15	1	Glazen deur balk, bovenkant
L16	2	Glazendeur balk, midden
L17	1	Glazendeur balk, onderkant
L18	2	Glazendeur balk, links en rechts
Y11	1	Deur glaspaneel, midden
Y12	2	Deur glaspaneel, bovenste en onderste
Z08	16	M4.2x16 zelf tappende schroef

ALGEMENE BESCHRIJVING

De deur bestaat uit twee verticale profielen (L18), vier horizontale profielen (L15/ L16/ L17) en 3 glasplaten. Deze worden bij elkaar gehouden met zestien schroeven.

MONTAGE

1. De opstaande standaard op L18 en de nylon wielen op L15 moeten naar buiten wijzen. De schroefkanalen op L16 en L17 moeten zich aan de binnenkant bevinden.
2. Bevestig de onderste horizontale profiel (L17) aan een van de verticale profielen (L18) met behulp van twee schroeven. Schuif de glaspanelen (Y12) op hun plaats. Herhaal met L16/ Y11 en L16/ Y12. Bevestig L15. Bevestig het andere verticale profiel (L18) met acht schroeven.

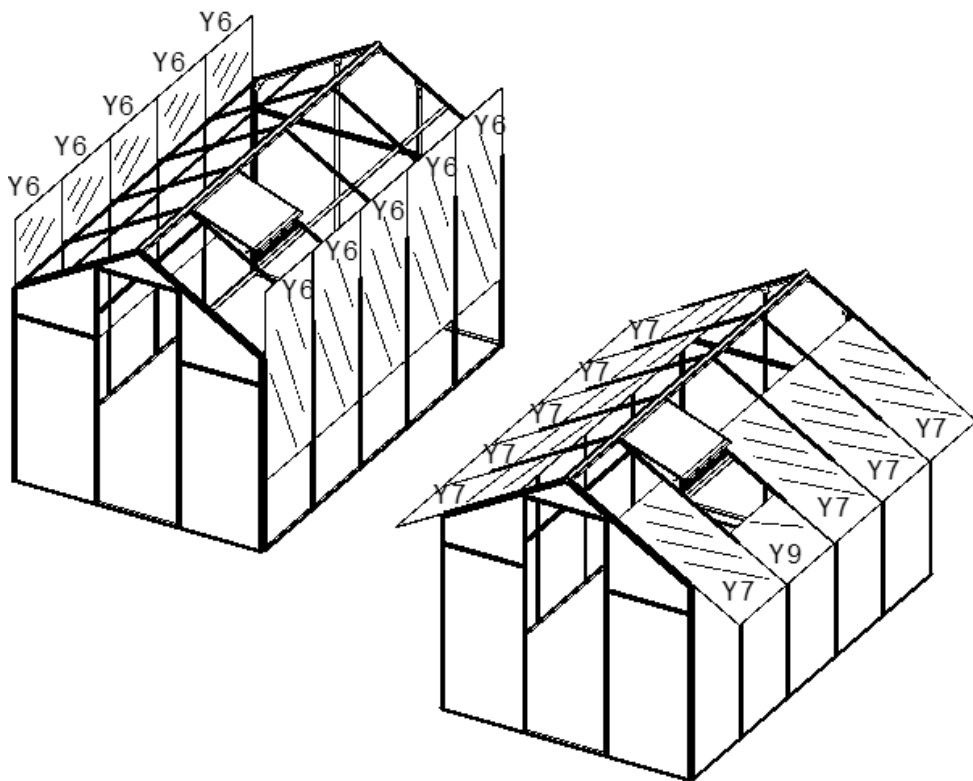


TUINKAS MONTAGE

GLAZEN PANELEN

Nadat het dak is geïnstalleerd, is het tijd om de ruiten te plaatsen. De zijwanden hebben tien identieke glaspanelen (Y6). De panelen glijden van bovenaf op hun plaats. Hulp is nodig om ervoor te zorgen dat elk paneel goed in het profiel van de dorpel zit.

Installeer vervolgens de dak glaspanelen. Er zijn negen identieke panelen (Y7) en een kleiner paneel (Y9). Alle panelen glijden in de glas paneel kanalen, over de bovenkant van de dakrand, en omhoog naar de nok. Assistentie is opnieuw nodig om ervoor te zorgen dat elk paneel goed zit. De bovenkant van het Y9-paneel zit in de glazen lat onder de ventilatieraam opening. De onderkant van de panelen rust op de dakrand en wordt op zijn plaats gehouden door de goten



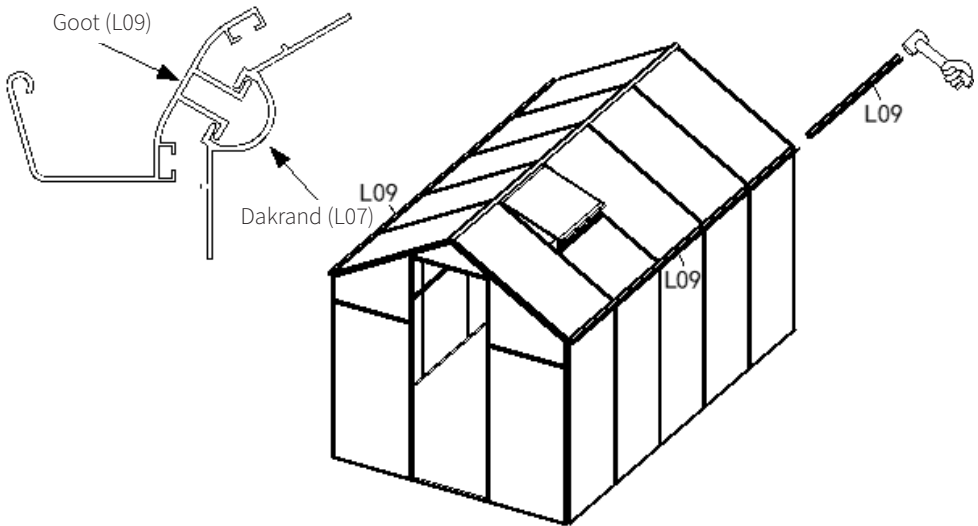
TUINKAS MONTAGE

DAKGOTEN

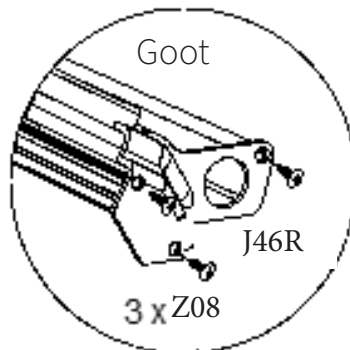
BENODIGDE ONDERDELEN:

Onderdeel	Aantal	Beschrijving
L09	2	Goot
J46L/ R	4	Dakgoot eind kap, 2 links en 2 rechts
Z08	12	M4.2x16 schroef

Nadat de glaspanelen op hun plaats zitten, schuift u de dakgoot (L09) in positie langs de dakrand (L07). De dakgoot kan vastgezet worden in een groef in de dakrand. Gebruik indien nodig een zachte hamer.



Eenmaal in positie bevestigt u deze door de vier eindkappen met schroeven vast te zetten.



TUINKAS MONTAGE

DEUR OPHANGING

BENODIGDE ONDERDELEN:

Onderdeel	Aantal	Beschrijving
L14	1	Deur draagrail
L11	1	Centrale profiel (al gemonteerd in de voorwand)
N.V.T.	1	Voltooid deurmontage
M01/ S03	3	M6-bouten (al in L11) en moeren
Z08	4	M4.2 x 16 schroef
J47	2	Eind kap deursteunrail

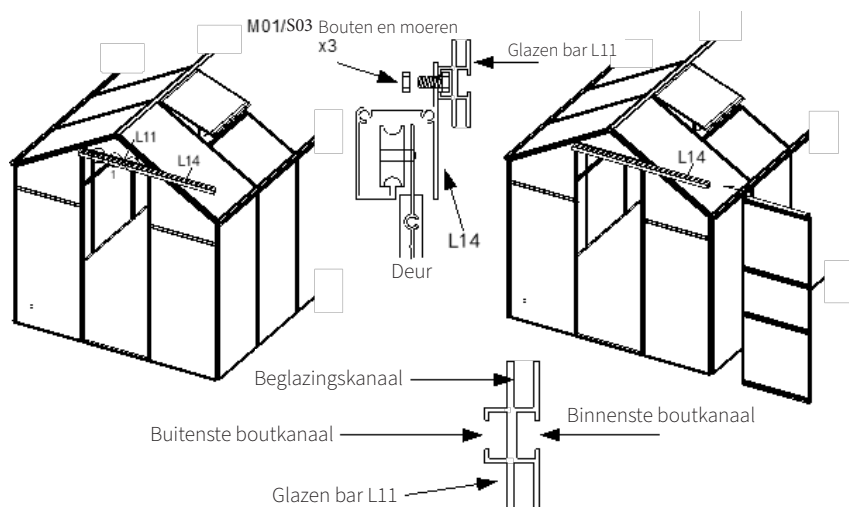
ALGEMENE BESCHRIJVING

De schuifdeur beweegt op twee nylon wielen die op een rail lopen, vastgemaakt met bouten aan het frame, boven de deuropening. Beweging langs het spoor wordt beperkt door plastic doppen die aan de uiteinden van het spoor zijn bevestigd. Dit zorgt ervoor dat de deur niet van het einde van het spoor kan worden getrokken. De onderkant van de deur bevindt zich in de voorste dorpel (L10).

MONTAGE

In de deursteunrail (L14) zijn drie gaten geboord, zodat deze aan het centrale profiel (L11) kan worden vastgeschroefd. De drie vereiste bouten zijn al geïnstalleerd in L11. Scheid de bouten zodat ze overeenkomen met de gatenposities in L14. Plaats L14 op zijn plaats over de bouten en zet hem vast met drie moeren.

Schuif de deur op de rail in L14 en houd de onderkant iets weg van de dorpel. Eenmaal in positie, til de deur een beetje op en laat hem in positie in de dorpel vallen. Controleer of de deur vrij kan bewegen. Bevestig de einddoppen op de uiteinden van L14 en zet ze vast met schroeven.



TUINKAS MONTAGE

BASIS

Een verzinkte stalen basis is beschikbaar voor de tuinkas. Deze worden aanbevolen omdat ze de kas ondersteunen en het gemakkelijker maken om deze horizontaal en rechtop te houden. Ze zijn bij de hoeken aan elkaar vastgeschroefd met beugels die ook als benen functioneren.

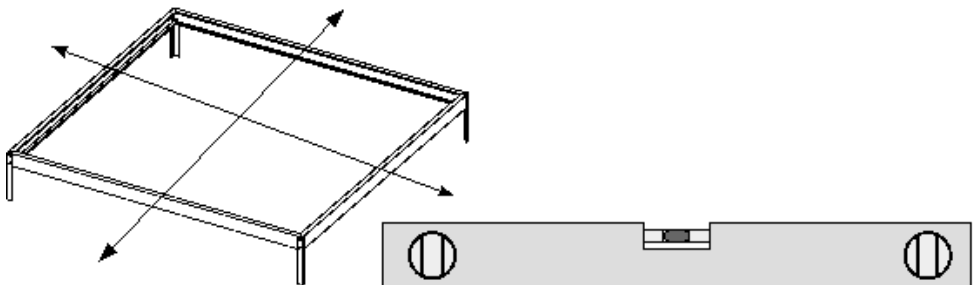
BENODIGDE ONDERDELEN:

Onderdeel	Aantal	Beschrijving
C	4	Basishoek poot/Beugel
A1	2	Basis Voorkant/Achter Steunbalk
B1	2	Basis Links/Rechter balk
S03	16	M4.2 x 16 schroef
M01	16	M6 moer
Z08	36	M6 x 10 bout

Leg de balken voor/ achter (A1) en links/ rechts (B1) in een rechthoek neer. Plaats een beugel in elke hoek samen met vier moeren en bouten.

Het is makkelijker om de basis ondersteboven te bouwen en vervolgens om te draaien. De zijbalken hebben geen boven- of onderkant, dus plaats elke balk op zijn smalle rand met het platte vlak naar buiten. Elke paar balken moet aan de hoeken worden vastgeschroefd met behulp van de beugels en vier moeren en bouten.

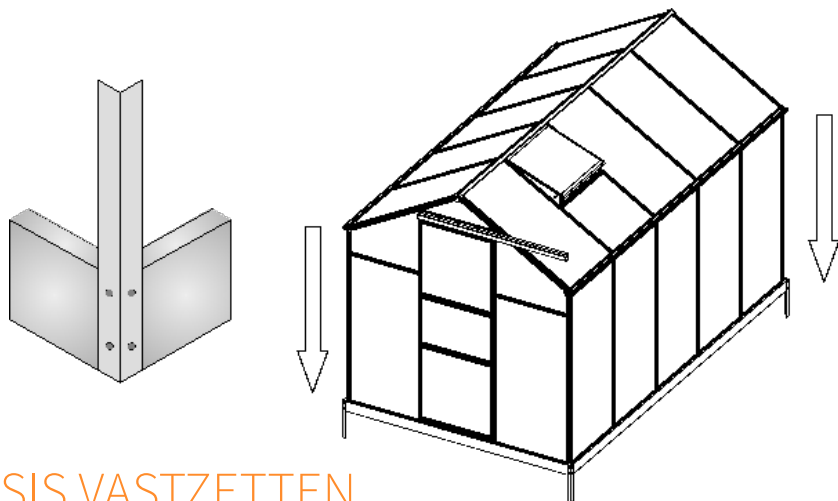
Draai het om en bevestig het op de gewenste locatie. Zorg ervoor dat het stevig en vlak is. Plaats de kas er voorzichtig op.



TUINKAS MONTAGE

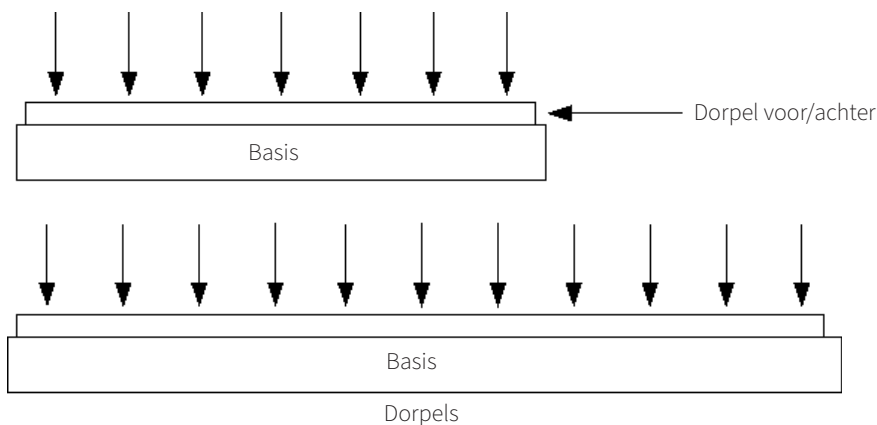
BASIS

Zorg ervoor dat de basis van voren naar achteren en van links naar rechts horizontaal staat. Als de kas op beton of blokken moet worden geïnstalleerd, moeten deze ook vlak en vlak zijn.



BASIS VASTZETTEN

Nadat de basis is bevestigd en de kas erop is geplaatst, moet deze worden vastgezet. Dit kan worden gedaan met behulp van Z08-schroeven. Deze worden gebruikt om door de dorpels, naar beneden in de basis te boren. De basis is van staal, maar de schroeven werken nog steeds maar met iets meer moeite. Het aantal en de positie van de schroeven is een kwestie van keuze, maar een minimum van 7 voor de voor- en achterzijde wordt aanbevolen. Een in het midden, een aan elk uiteinde en vier op gelijke afstand van elkaar.



Voor de linker/ rechter zijbalken worden minimaal elf schroeven op gelijke afstand aanbevolen.

GEBRUIKERSHANDLEIDING

SCHOONMAAKINSTRUCTIES

1. Was de glaspanelen met lauwwarm water.
2. Gebruik voor de glaspanelen een milde zeep en lauwwarm water.
3. Gebruik een zachte doek of spons en was voorzichtig met een op en neer gaande beweging, in dezelfde richting als de groeven.
4. Spoel de doek of spons af en ververs het water vaak. SCHROB OF GEBRUIK NOOIT BORSTELS OF TREKKERS. De coating op de glaspanelen is kwetsbaar en kan makkelijk beschadigd raken.
5. Spoel herhaaldelijk.

PROBLEEMOPLOSSING

RESOLUTIEGIDS

WAT DOE IK ALS ER ONDERDELEN VAN MIJN BESTELLING ONTBREEKT?

Als er een onderdeel ontbreekt in uw bestelling, neem dan binnen 7 dagen na ontvangst, contact op met ons vriendelijke en behulpzame klantenserviceteam.

**NEEM VOOR ALLE ANDERE AANGELEGENHEDEN
CONTACT OP MET ONZE KLANTENSERVICE.**

Monster Group (UK) is one of the UK's fastest growing online retailers. We supply a diverse range of products which offer exceptional value for money. We strive to provide the best possible customer experience with free UK delivery across all our products and a Monster Guarantee for 100% satisfaction.

For information regarding this device or other products from our Monster divisions please contact Sales.

SALES

TEL: 01347 878 888
EMAIL: hello@monstershop.co.uk

For queries about this device, warranty, returns or reporting faults please contact Support.

SUPPORT

TEL: 01347 878 887
EMAIL: help@monstershop.co.uk

Pour plus d'informations concernant cet appareil ou d'autres produits de nos divisions de Monster veuillez utiliser les détails suivants ci-dessous.

DÉPARTEMENT COMMERCIAL

TEL: 01347 878 888
EMAIL: bonjour@monstershop.eu

Pour les interrogations concernant cet appareil, la garantie, les retours ou les défauts de déclaration veuillez utiliser les détails suivants ci-dessous.

DÉPARTEMENT DE SOUTIEN

TEL: 01347 878 887
EMAIL: help@monstershop.co.uk

Para información sobre este dispositivo u otros productos de nuestras divisiones de Monster por favor use los siguientes detalles.

DEPARTAMENTO DE VENTAS

TEL: 01347 878 888
EMAIL: hola@monstershop.eu

Para consultas sobre este dispositivo, la garantía, devoluciones o denuncias de fallos por favor use los siguientes detalles.

DEPARTAMENTO DE SOPORTE

TEL: 01347 878 887
EMAIL: help@monstershop.co.uk

Für Informationen bezüglich dieses Geräts oder anderer Produkte aus unserer Monster-Abteilung, benutzen sie die folgenden unten aufgeführten Angaben.

VERKAUFABTEILUNG

TEL: 01347 878 888
EMAIL: hallo@monstershop.eu

Für Fragen über dieses Gerät, die Garantie, Rückgaben oder bei Störungen, benutzen sie die folgenden unten aufgeführten Angaben.

SUPPORT-ABTEILUNG

TEL: 01347 878 887
EMAIL: help@monstershop.co.uk

Per informazioni riguardanti questo dispositivo o altri prodotti dalle categorie Monster utilizzare i dettagli sotto riportati.

DIPARTIMENTO VENDITE

TEL: 01347 878 888
EMAIL: ciao@monstershop.eu

Per domande riguardo dispositivo, garanzia, reso o per riferire di guasti, utilizzare i dettagli sotto riportati.

DIPARTIMENTO SUPPORTO

TEL: 01347 878 887
EMAIL: help@monstershop.co.uk

Monster House, Alan Farnaby Way,
Sheriff Hutton Industrial Estate,
Sheriff Hutton, York, YO60 6PG
www.monstershop.co.uk



 Try **Monster**. Buy **Monster**. Be **Monster**. 

