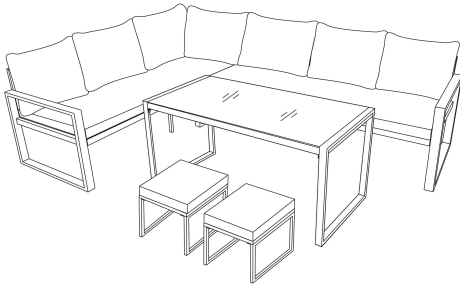


A StepAlong by Monster Shop (UK)

Aluminium 5pcs Corner Sofa Set

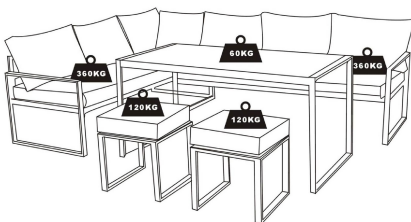
214686 / 214687 / 214688



Product Description

The modern garden furniture set is designed to enhance your outdoor space with both style and comfort. Made from durable aluminium, it features a spacious corner sofa, a sleek dining table, and two versatile stools. With three elegant colour options, this set offers a contemporary aesthetic while providing ample seating and a comfortable seat depth. Ideal for outdoor dining or lounging, it brings both functionality and a modern touch to any patio or garden setting.

Product Specifications



Colours: Anthracite / White / Wooden Anthracite

Sofa Dimensions: 172 (W) x 176 (D)x 66cm (H)

Seat Depth: 69cm

Table Dimensions: 135 (W) x 70 (D) x 67cm (H)

Stool Dimensions: 40 (W) x 40 (D) x 36cm (H)

Material: Aluminium

Weight Capacity - Sofa: 360kg

Weight Capacity - Stool: 120kg



Weight Capacity – Table: 60kg

Safety Advice

Please read through the Safe Working Practice to ensure prevention of injury or damage to the product.

- Do not use this product for anything other than its intended purposes.
- Ensure you have read and fully understood the instruction manual and safety advice before using this product.
- Check all screws, bolts, and fastenings regularly to ensure they are tight. Loose parts can compromise the safety and stability of the furniture.
- Do not exceed the recommended **KG weight capacity for the sofa and stools. Exceeding weight limits may cause the furniture to collapse and lead to injury.
- Ensure that the furniture is placed on a flat and stable surface. Uneven surfaces can cause the set to become unstable and may lead to tipping, resulting in potential injury.
- This set is designed for domestic use only. It is not suitable for commercial settings such as cafes or public spaces where heavier use could compromise the product's durability and safety.
- The aluminium material may become hot if exposed to direct sunlight for prolonged periods. Use caution when touching metal parts, and consider using protective coverings or placing the furniture in shaded areas during peak sunlight hours.
- Avoid placing heavy or sharp objects on the table surface, as this may cause damage to the table or glass top.
- Do not stand on the table or stools, and avoid jumping or placing excessive pressure on any part of the furniture set.
- Keep the furniture away from open flames or heat sources, as aluminium and fabric cushions may become damaged or pose a fire risk.
- If the furniture is exposed to rain or snow, ensure it is dried thoroughly before use. Excess moisture can cause slipping or damage to the materials.



- Regularly inspect the aluminium frame for any signs of wear, or weakening. If any damage is found, stop using the furniture immediately and contact the manufacturer for advice on repairs or replacement parts.
- The furniture should be cleaned regularly with a mild soap and water solution. Avoid using abrasive cleaning products, as these can damage the aluminium frame or fabric.
- Do not drag the furniture when moving it. Lift the pieces to avoid damage to both the furniture and the surface it is placed on.
- The furniture set is not designed to be used as a climbing frame. Ensure children are supervised when around the furniture to prevent accidents or damage.
- Do not modify or alter the structure of the furniture in any way. Any changes to the design may weaken the product and void the warranty.
- Keep small parts, packaging materials, and assembly tools away from children, as they can pose a choking hazard.
- Ensure that the assembly area is clear of obstacles and hazards.

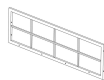
Assemble the furniture in a spacious area to prevent accidents during installation.

Monster Group UK Limited’s liability will be limited to the commercial value of the product only.

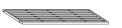
Please visit <https://monstershop.co.uk/policies/terms-of-service> to see the full terms and conditions.

Parts

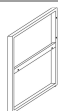
A) Sofa Back Panel
1 Piece(s)



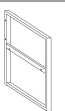
B) Sofa Seat Panel
1 Piece(s)



C) Sofa Arm
1 Piece(s)



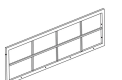
D) Sofa Arm
1 Piece(s)



E) Sofa Arm with Back
1 Piece(s)



F) Sofa Back
1 Piece(s)



G) Sofa Seat Panel
1 Piece(s)

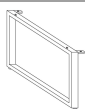


H) Sofa Central Support Leg
2 Piece(s)



I) Sofa Leg

1 Piece(s)



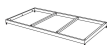
K) Sofa Back Cushions

6 Piece(s)



M) Table Top

1 Piece(s)



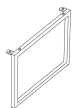
O) Glass Table Top

1 Piece(s)



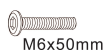
Q) Stool Legs

4 Piece(s)



S) M6x50mm Screw

7 Piece(s)



M6x50mm

U) M6x15mm Screw

16 Piece(s)



M6x15mm

X) Allen Key

1 Piece(s)



Z) Brackets

2 Piece(s)



J) Sofa Seat Cushion

2 Piece(s)



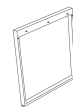
L) Sofa Side/Back Cushion

1 Piece(s)



N) Table Legs

2 Piece(s)



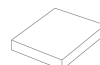
P) Stool Seat Panel

2 Piece(s)



R) Stool Seat Cushions

2 Piece(s)



T) M6x35mm Screw

30 Piece(s)



M6x35mm

V) Washer

53 Piece(s)



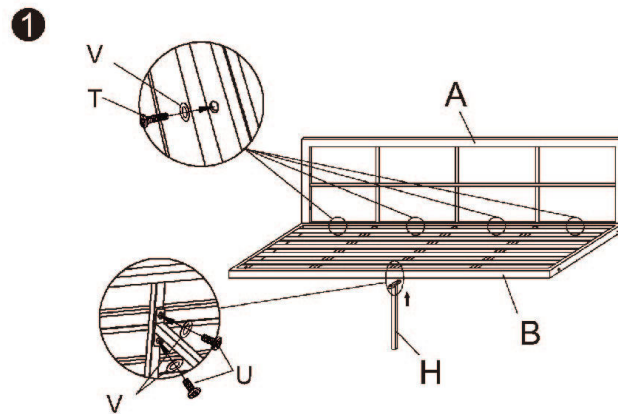
Y) Screw Cap

11 Piece(s)



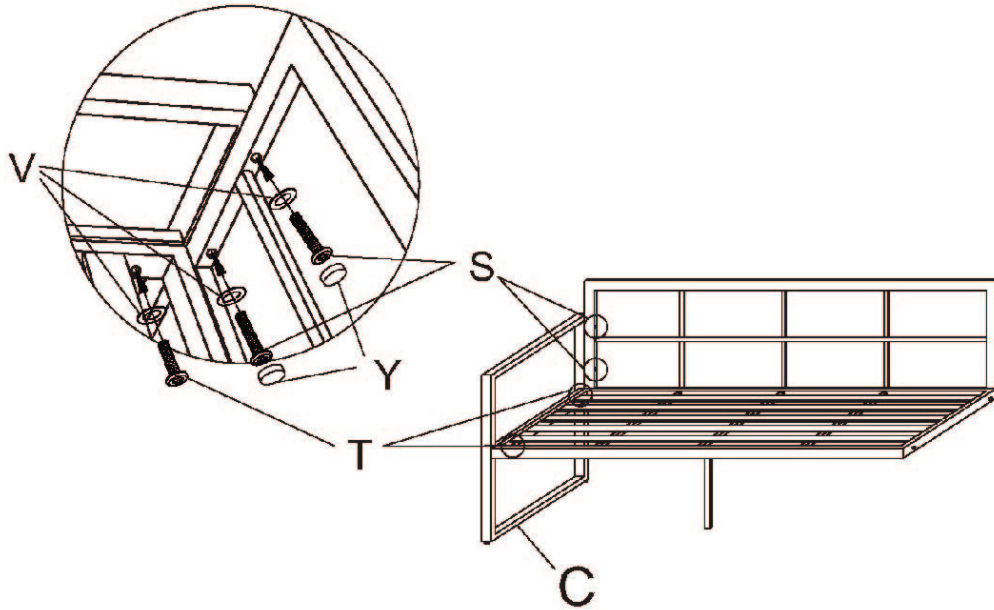
Steps (14)

1.



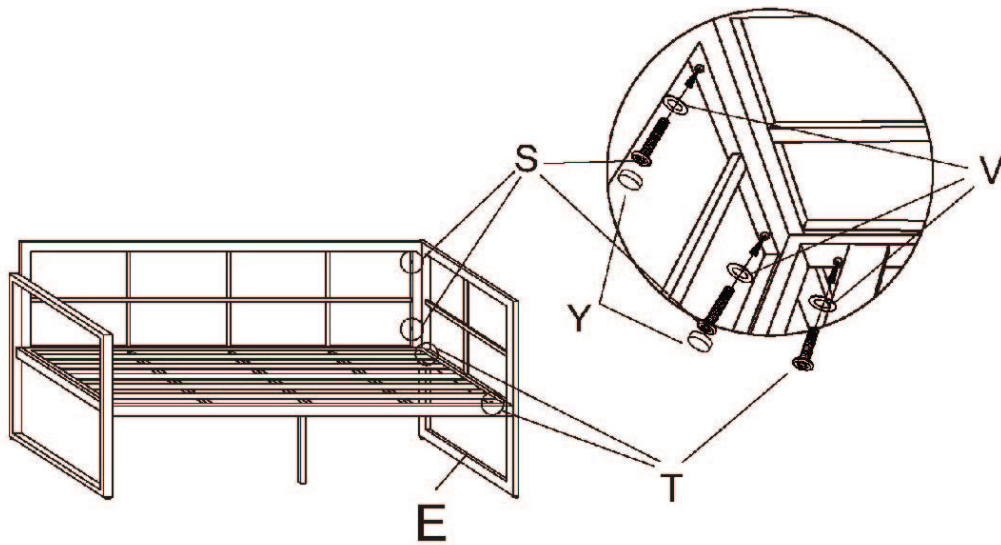
2.

2



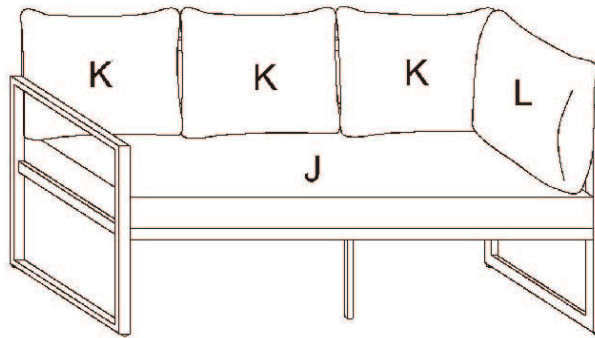
3.

3



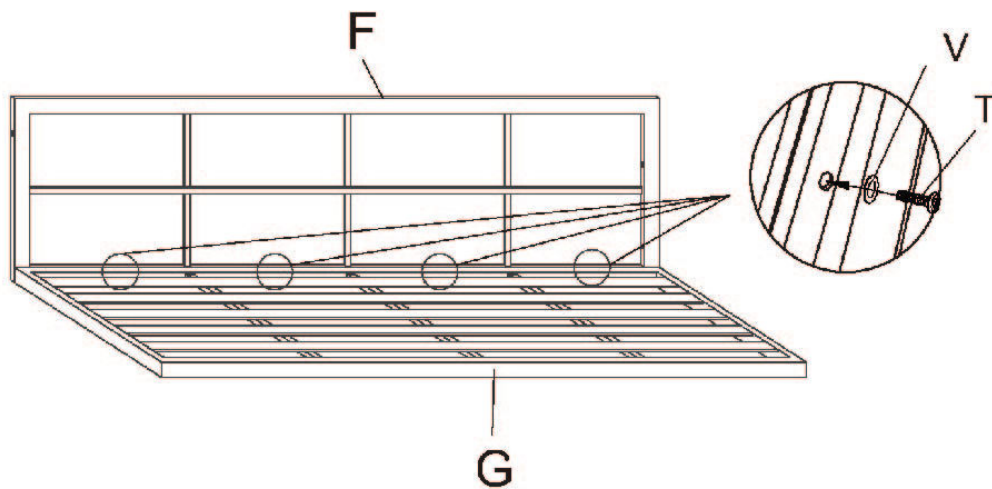
4.

4



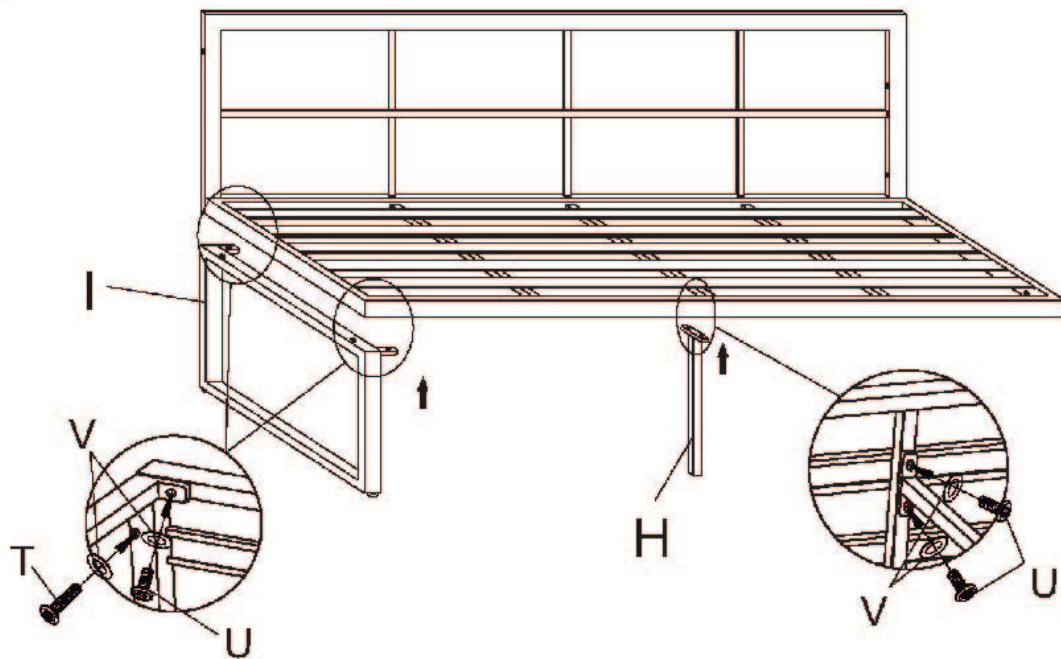
5.

1



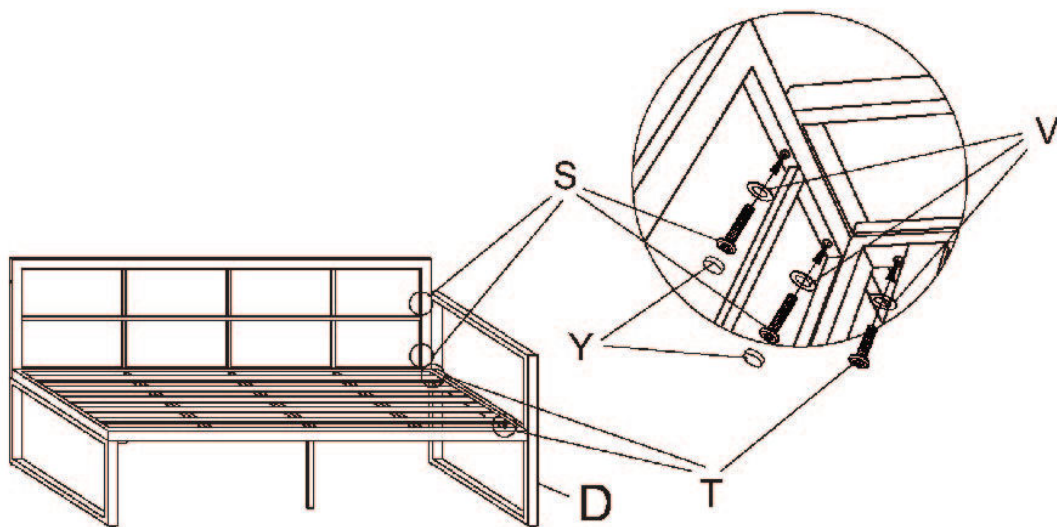
6.

2



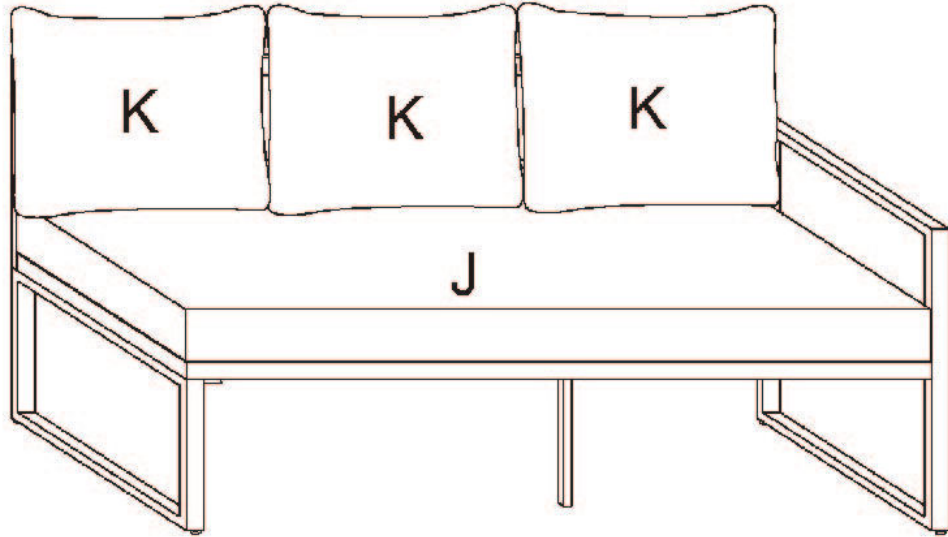
7.

3



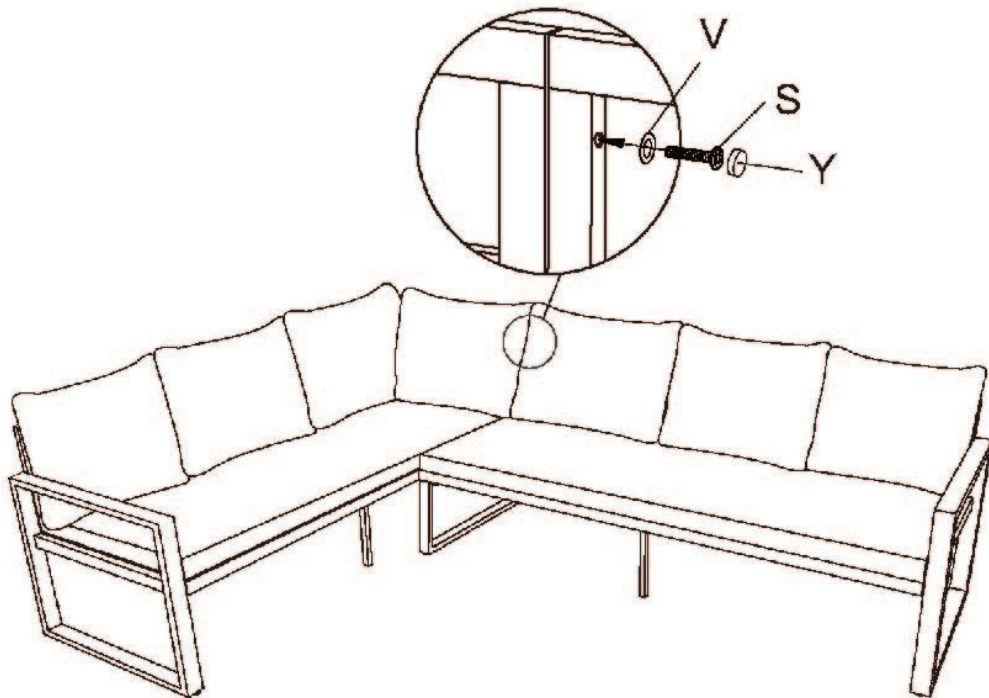
8.

4



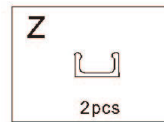
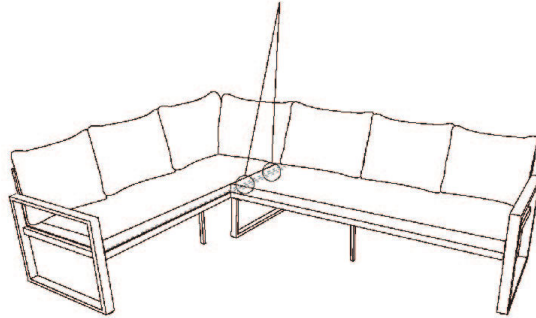
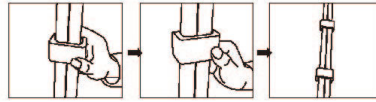
9.

5



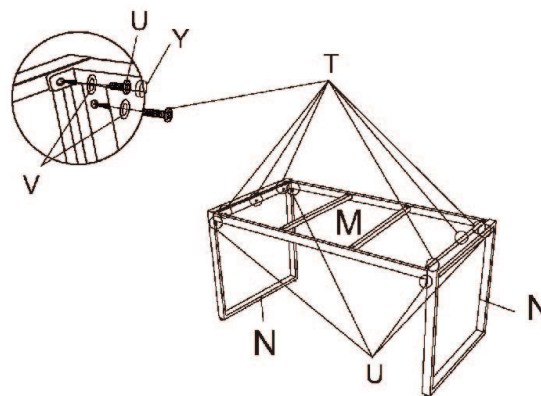
10.

6

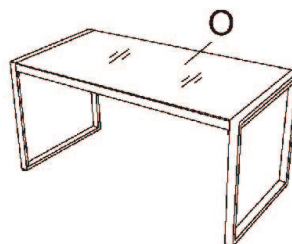


11. Table Assembly

1

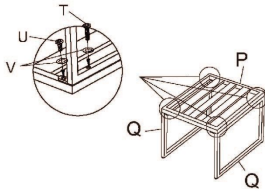


2



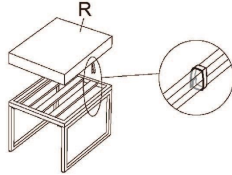
12. Stool Assembly

①



Repeat this process so you have two stools.

②



13. Maintenance

- Clean the aluminium frame with a soft cloth and a mild soap solution to remove dirt, dust, and grime. Avoid using abrasive cleaners, scouring pads, or harsh chemicals that may damage the finish.
- Store the sofa set under the waterproof rain cover when not in use for extended periods to protect it from exposure to rain and UV rays. Ensure adequate ventilation under the cover to prevent condensation and mould growth.

14. Troubleshooting

- **WHAT DO I DO IF THERE ARE MISSING PARTS FROM MY ORDER?**

If there appears to be any part missing from your order, contact our friendly and helpful Customer Support Team within 7 days of receipt.

- **FOR ALL OTHER ISSUES, PLEASE CONTACT OUR CUSTOMER SUPPORT TEAM.**

