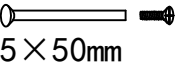
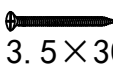
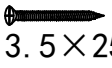
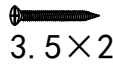
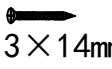
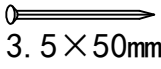

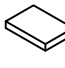

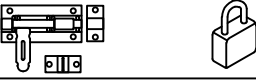

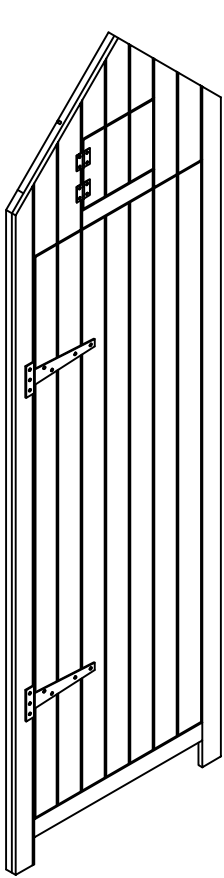
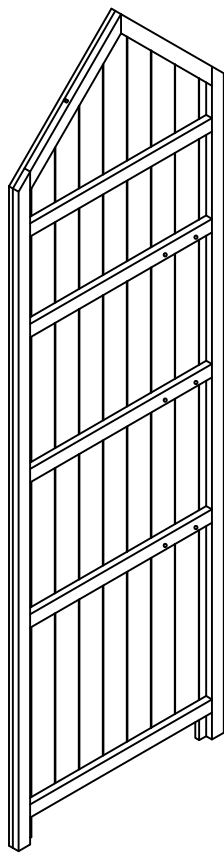


ASSEMBLY INSTRUCTION

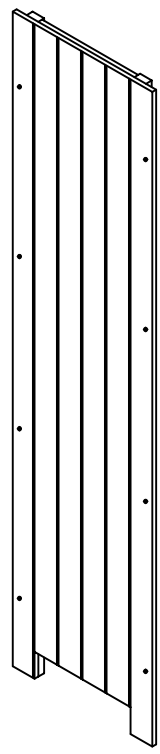
P1	 5×50mm	12pcs	P2	 3.5×30mm	8pcs+1 spare
P3	 3.5×25mm	20pcs+1 spare	P4	 3.5×20mm	8pcs+1 spare
P5	 3×14mm	20pcs+1 spare	P6	 3.5×50mm	8pcs+1 spare
P7	 68*25mm	4pcs	P8	 34*24mm	4pcs
P9	 1pc	1pc	P10		1pc
P11	 60*60mm	4pcs			



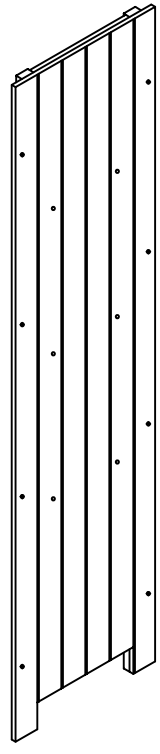
A *1



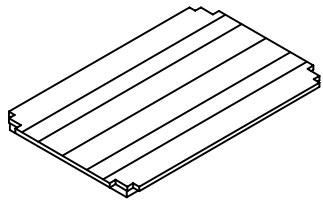
B *1



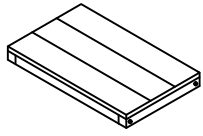
C *1



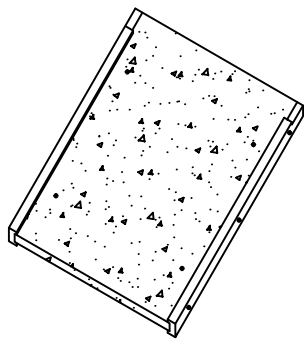
D *1



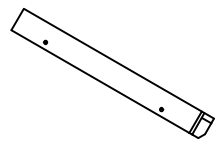
E *2



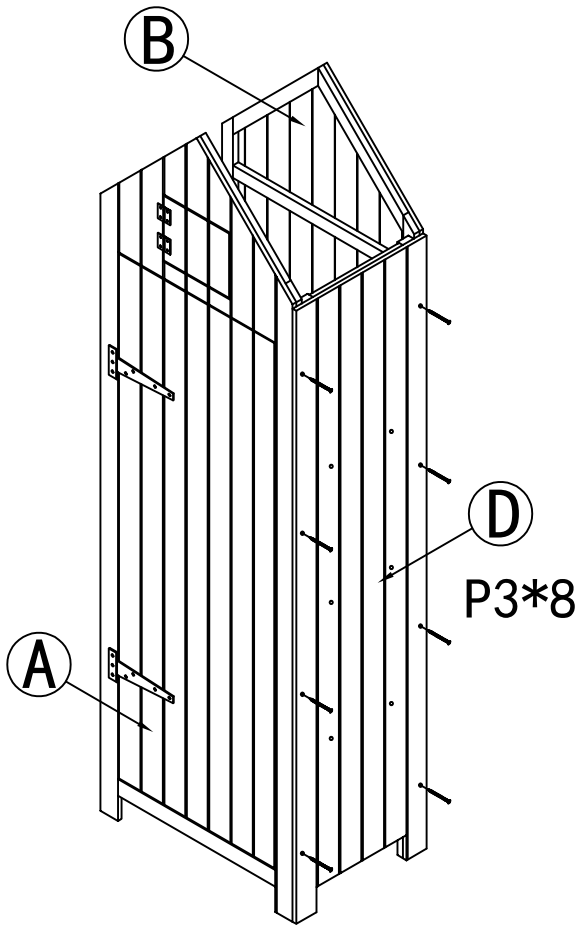
F *3



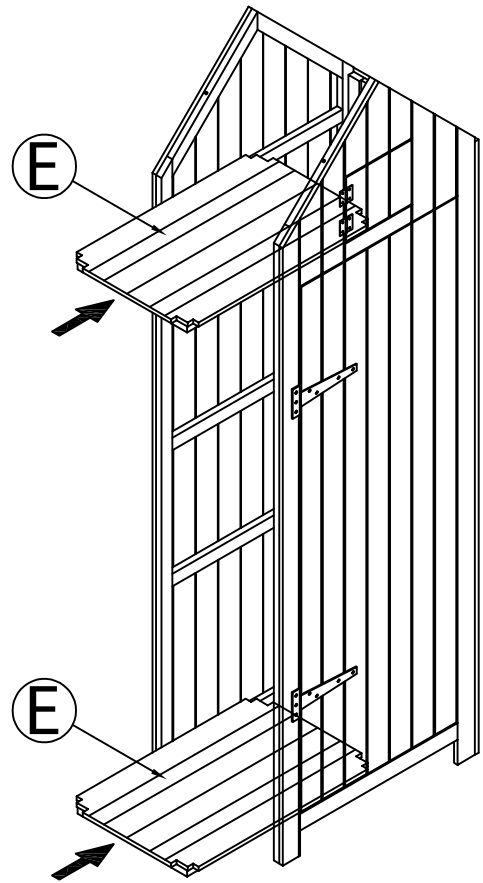
G *2



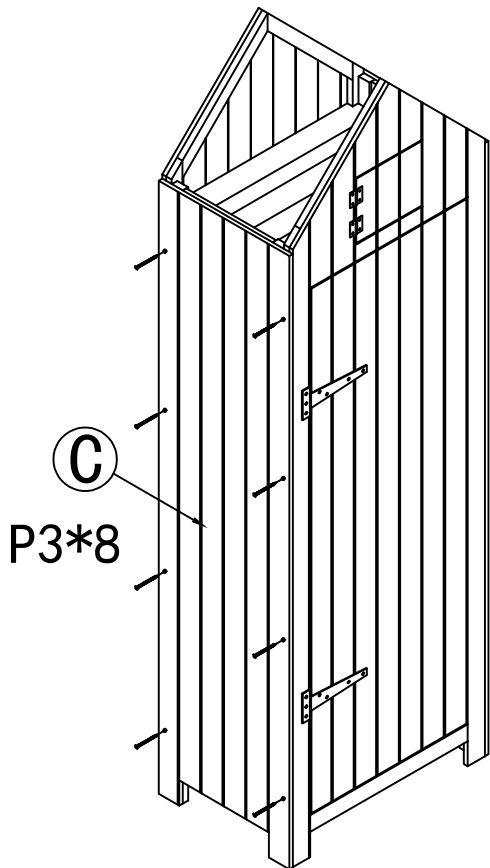
H *1



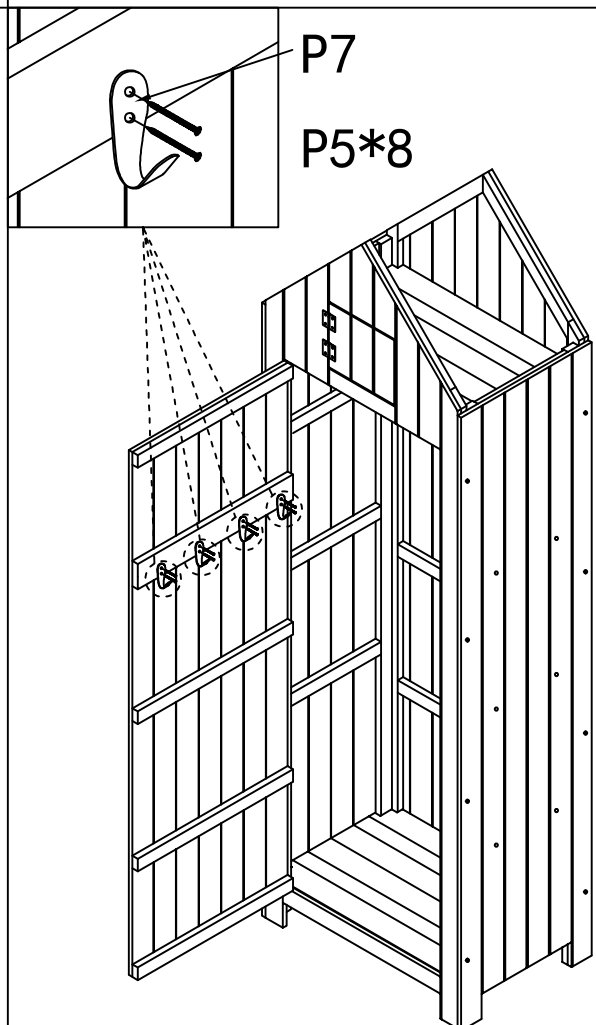
STEP1



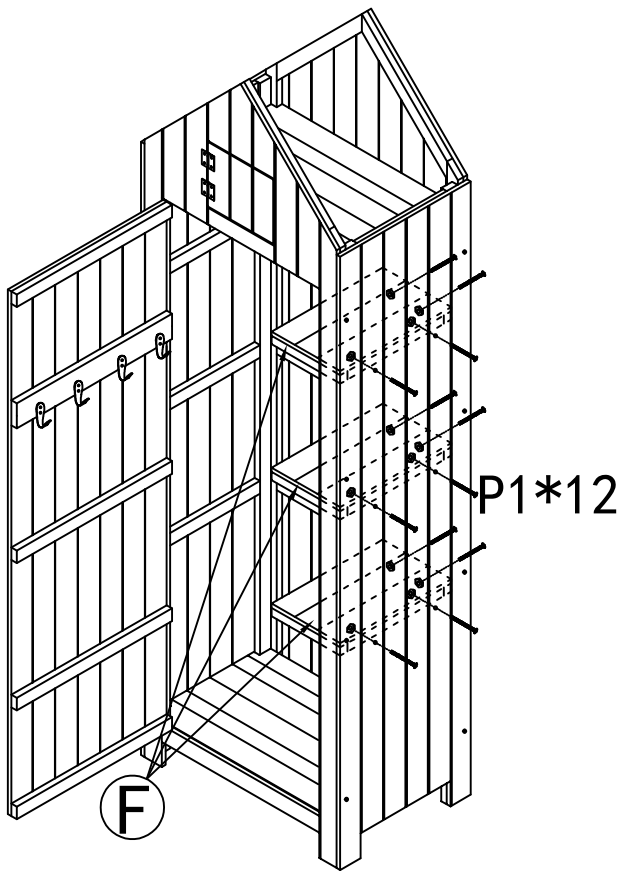
STEP2



STEP3



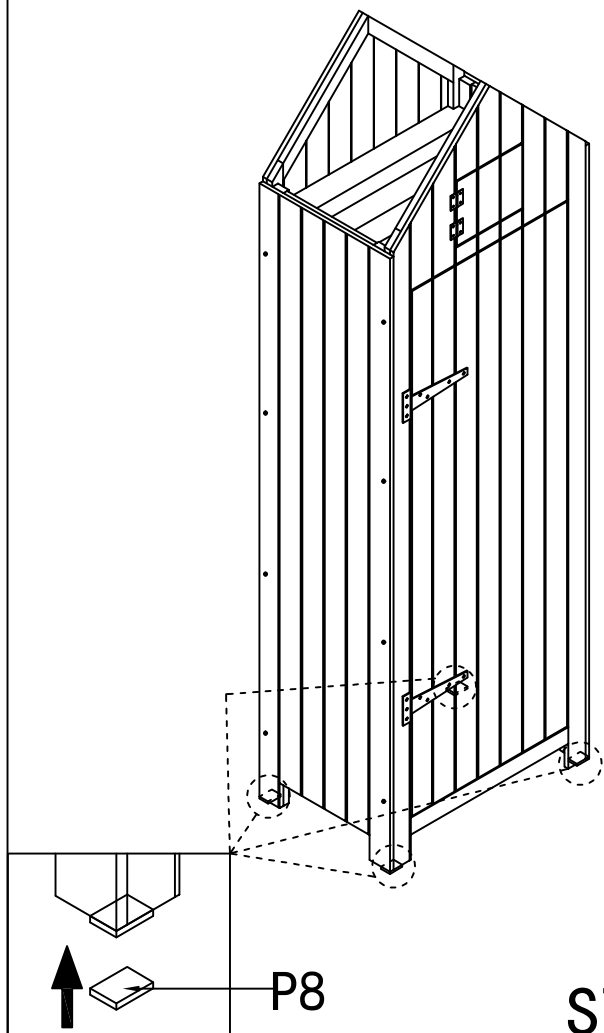
STEP4



P1*12

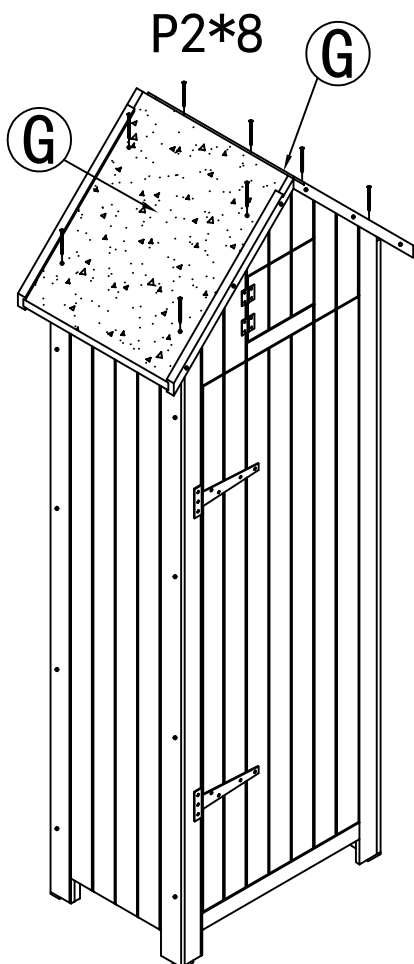
F

STEP5



P8

STEP6

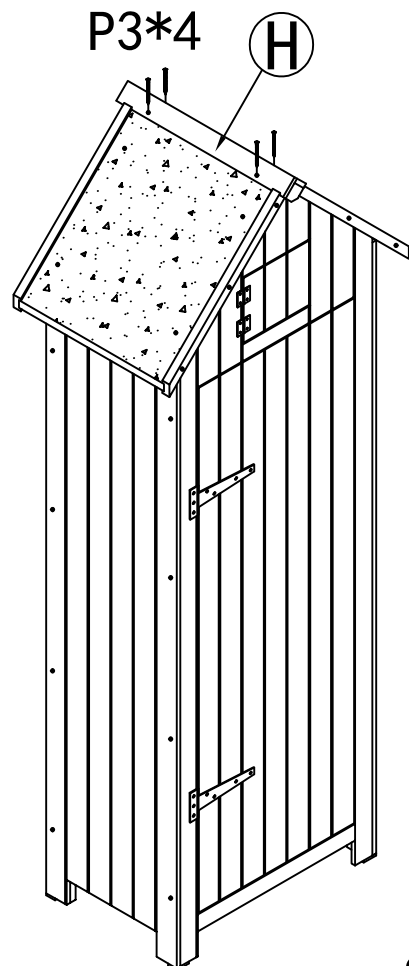


P2*8

G

G

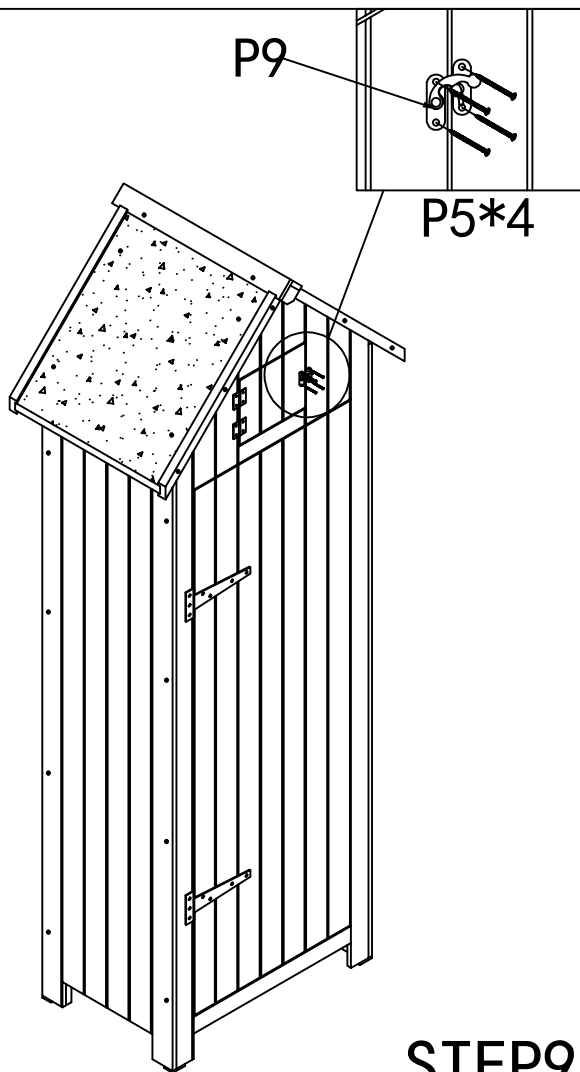
STEP7



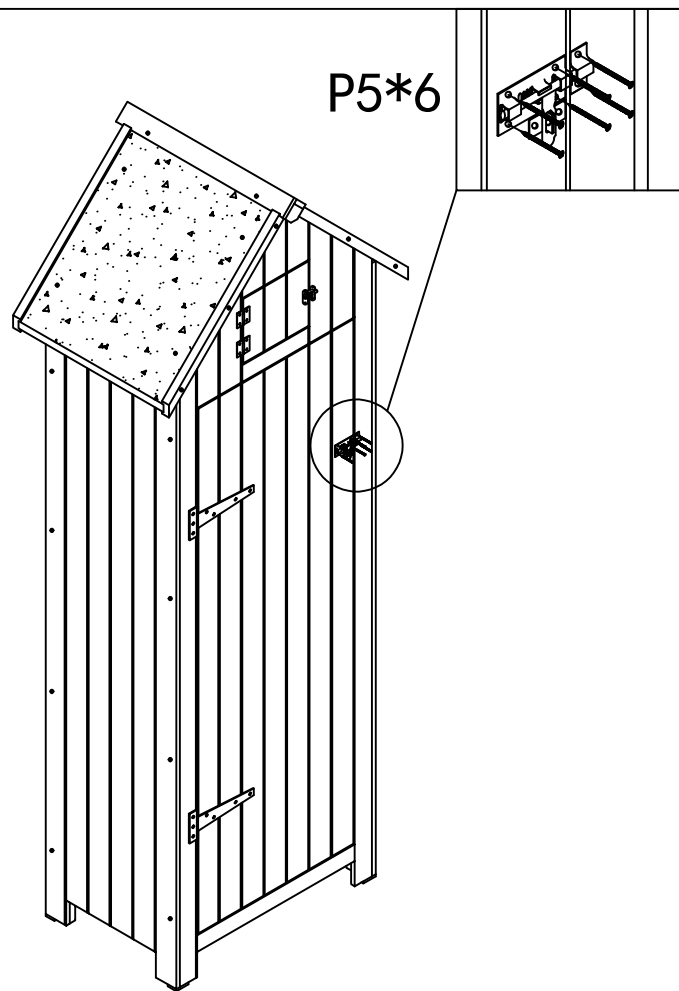
P3*4

H

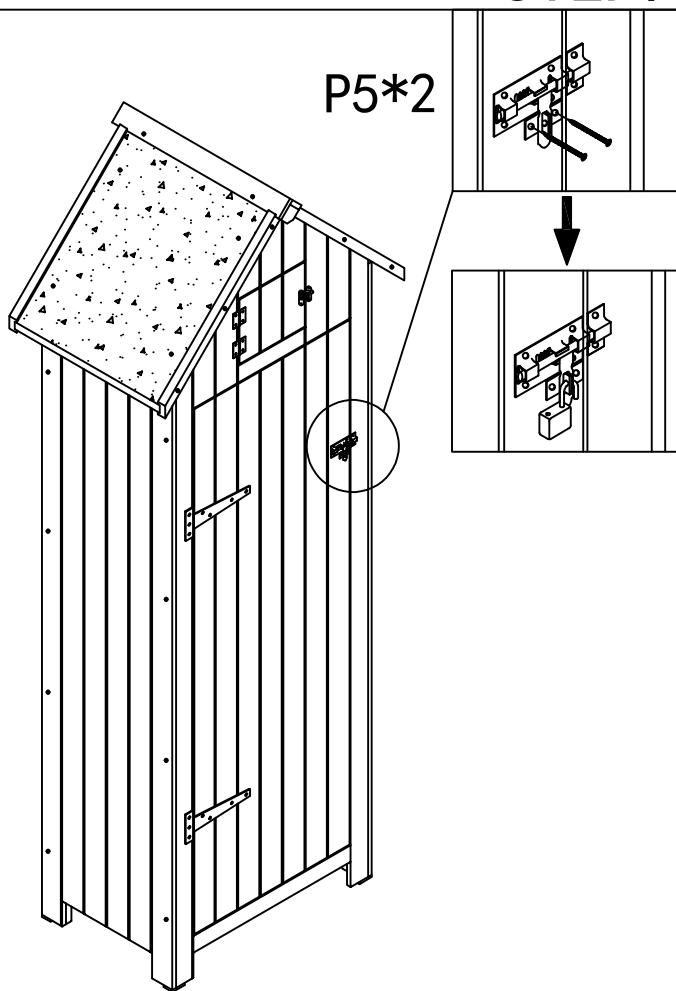
STEP8



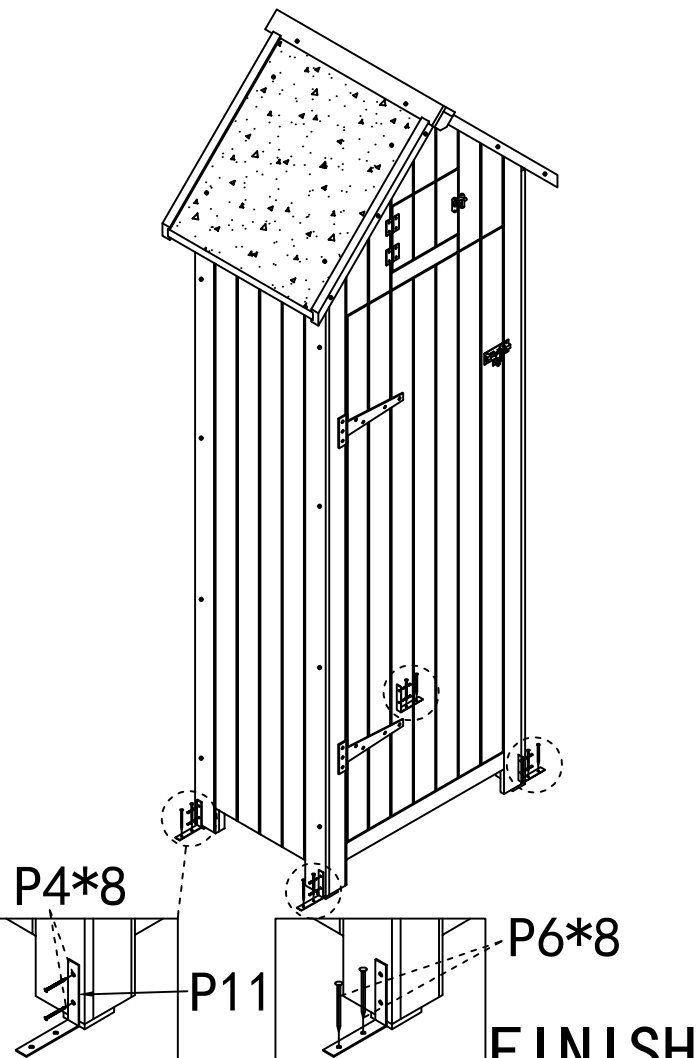
STEP9



STEP10



STEP11



FINISH