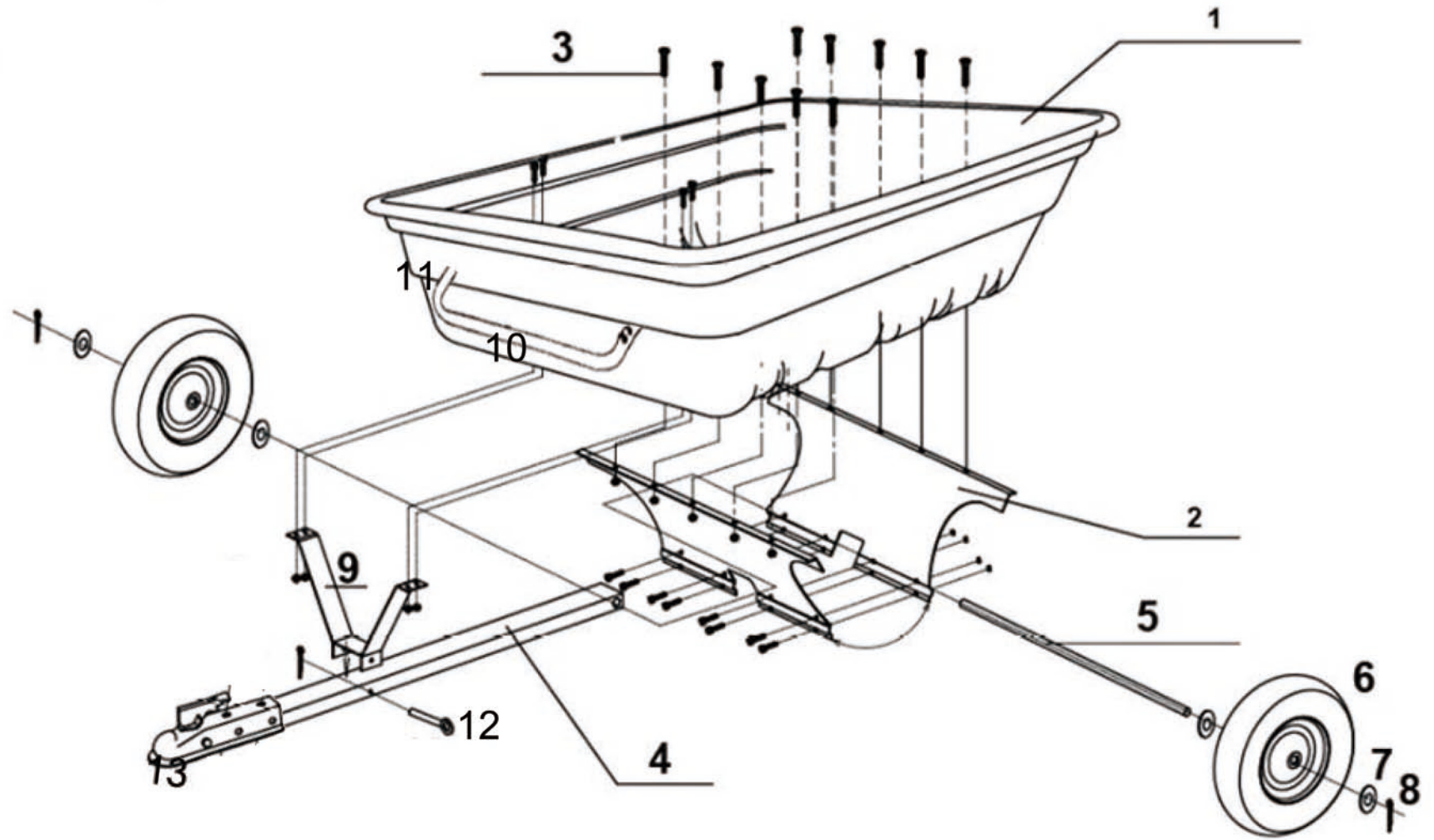
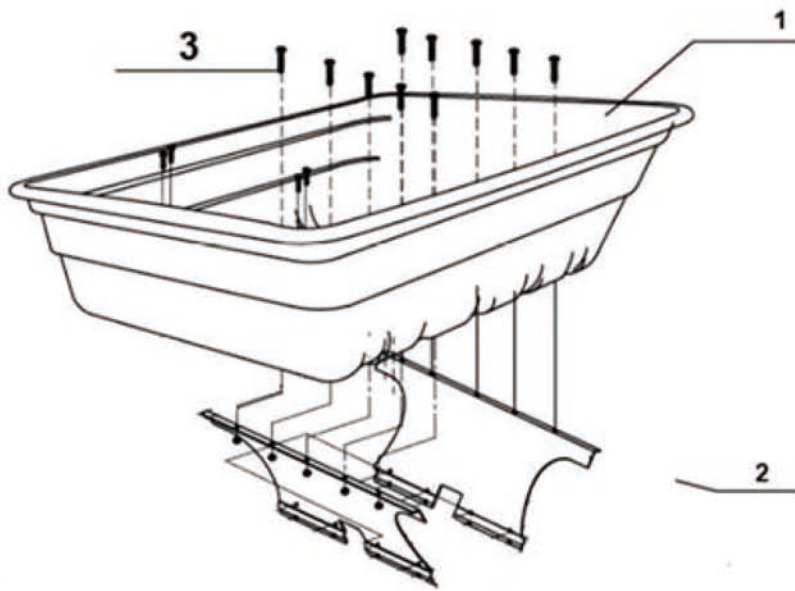


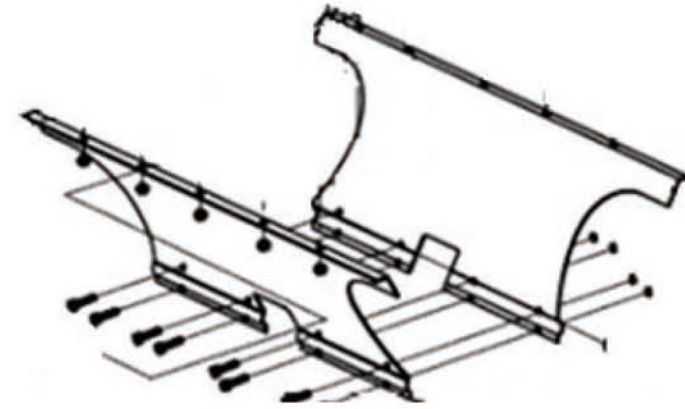
# Part List

1. Tray
2. Protect Plate Under Tray
3. Bolts And Nuts
4. Tow Bar
5. Wheel Axle
6. Wheel
7. Washer
8. Cotter Pin
9. Legs
10. Walking Handle
11. Fixed handle
12. Pin
13. Hitch Coupler

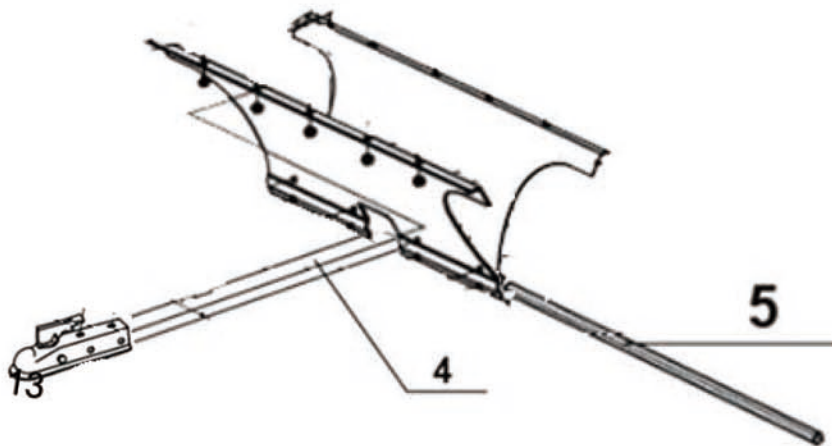




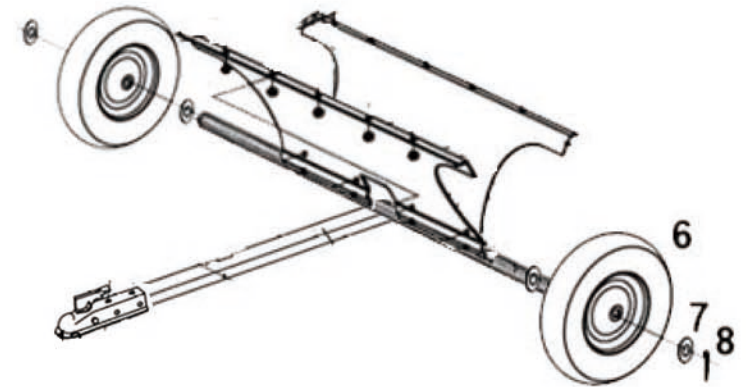
1. Connect the protect plate (part 2) and the tray (part 1) with screws and nuts (part 3).



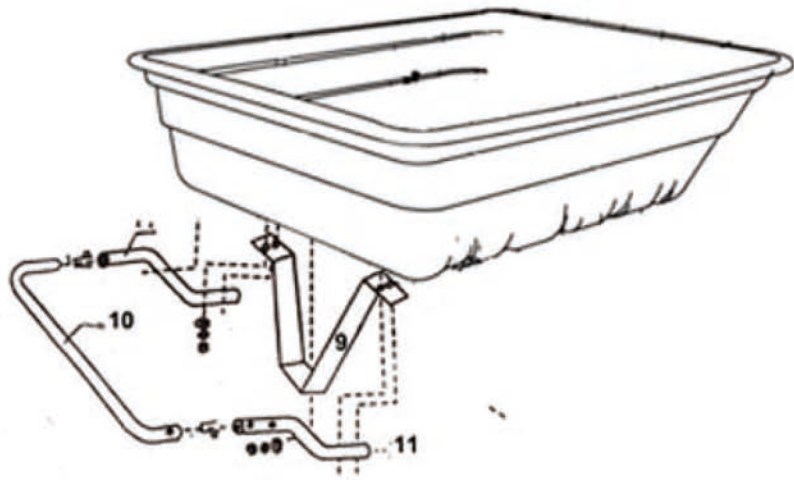
2. Connect 2 protect plates with screws and nuts.



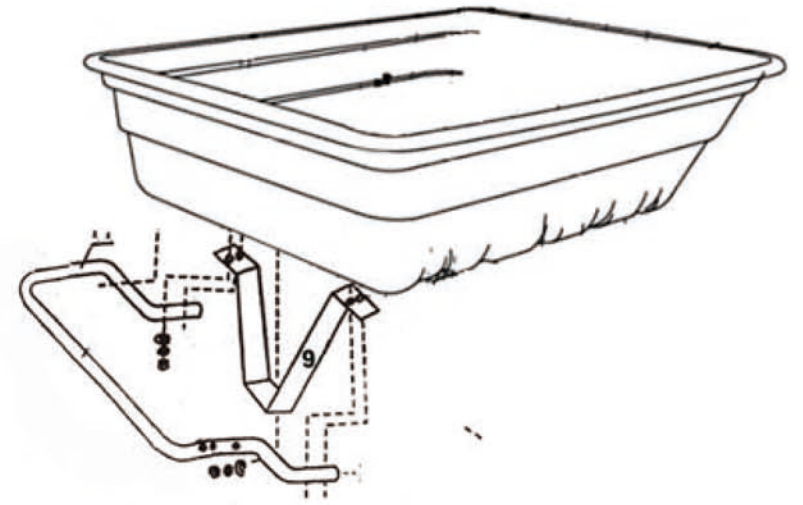
3. Put the tow bar (part 4) in the middle of the protect plates. Then pass the wheel axle (part 5) through the tow bar and protect plates.



4. Mount the wheels (Part 7) and washer on both sides, Insert the pin.



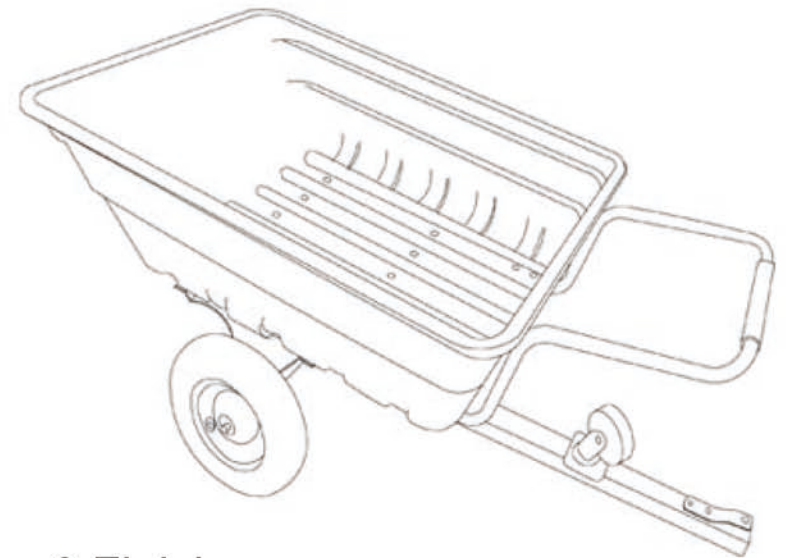
5. Insert the walking handle(10) into fixed handle(11)



6. Connect the leg(part 9) whole handle and the tray with screws and nuts.



7. Insert pin into tow bar and fixed by a "B" shape pin



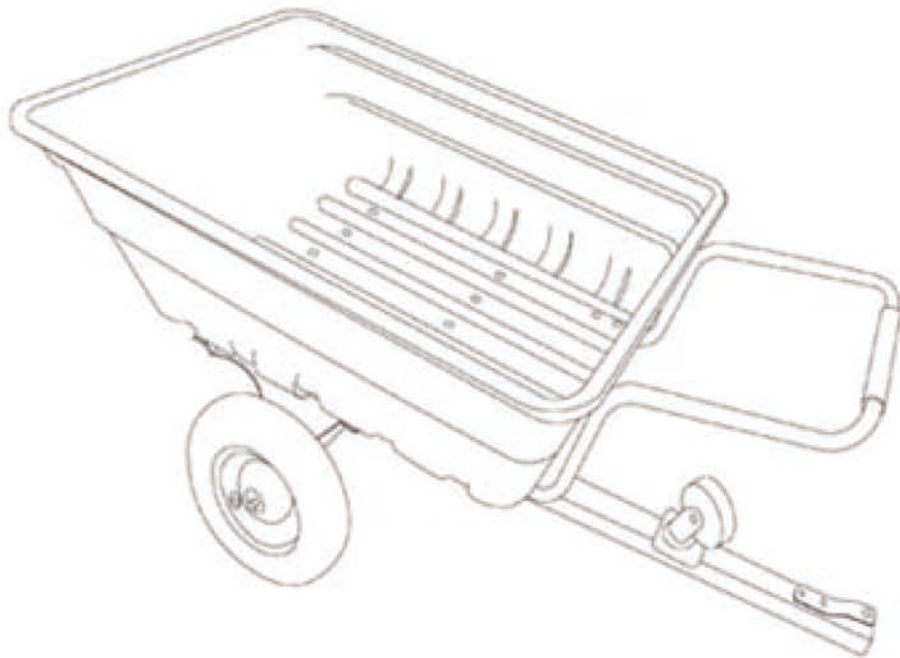
8. Finish.

## USING YOUR DUMP CART

**To Dump:** Pull latch toward mower, and cart body will tilt back to dump position.

**To Return To Pulling Position:** Push down on the front of the cart body until latch engages and pedestal secures to the tow bar.

Tractor speed should be governed by weight of load. The heavier the load, the slower the speed for safe operation.



## MAINTENANCE INSTRUCTIONS

Check tire pressure at regular intervals. Proper inflation will prolong life of tires.

NOTE: 650 lbs. maximum capacity

Approximate weight 1 Cu. Ft.

Dirt: 150 lbs.

Sand: 125 lbs.

Gravel: 110 lbs.

Max Speed: 4 MPH

## WARNING DANGER OF IMPROPER USE OF TRAILER CART

This unit is intended for use only with riding mowers or tractors. It is definitely not for highway use, being pulled at high speeds, or transporting passengers of any sort. Such use could result in injuries for which we cannot be held responsible.