

A StepAlong by Monster Shop (UK)

Bubble Tea Station

214781

Unit Overview

The Bubble Tea Stainless Steel Workstation is a robust and efficient solution designed for modern bubble tea operations. Engineered to accommodate essential equipment such as an automatic tea shaker, automatic cup sealing machine, ice maker, and back bar cooler, this workstation streamlines your workflow while maintaining a clean and professional appearance. Its durable stainless steel construction ensures longevity and ease of maintenance, making it an ideal choice for high-traffic bubble tea shops aiming to optimise efficiency and organisation.

Specifications

Work Height: 92cm

Sink: W 29.8 x D 34.9cm x 23cm Deep

Large Ice Well: W 53.8 x 41.4 x 29.2cm deep

Drip tray inc glass refresher: W 91.9 x D 15.6cm

Handy Cupboard - internal: W 62.3 x D 68.6 x H 47.7cm

External: W 54.5cm

Door: W26.9cm (x2)

RH opening: W 91.9 x D 67.7 x 91 cm

LH opening: W 37.9 x D 64.2 x H91 cm

Shelf dims -

Above Sink: W 40 x D 24.8 cm (Height from worktop 34.5cm)



Above Ice Well: W 85 x D 24.8 cm (Height from worktop 56.6cm)

Above work area W 73 x D 24.8 cm (Height from worktop 56.6cm)

Safety Advice

- Ensure the station is installed on a level surface capable of supporting its weight, including the weight of all accessories, ingredients, and machinery that may be added during use.
- Verify the station is installed in a location with adequate ventilation, away from sources of open flame, high humidity, or extreme temperatures.
- Do not modify or drill into the station, as this may compromise its structural integrity or void the warranty.
- The ice well should be filled only with food-safe ice.
- Ensure the sink is connected to a proper water supply and drainage system by a qualified professional. Do not use the sink until the connections have been inspected and are confirmed to be leak-free.
- Always use the flexi tap gently to avoid damage or leaks. Inspect the tap and its connections regularly for signs of wear or malfunction, and replace parts as needed.
- Only use the provided pumps for syrup dispensing. Check the pumps for wear and functionality regularly, and replace pumps immediately if they show signs of wear, clogging, or damage.
- Keep all electrical components and machinery placed in the dedicated spaces away from water sources. Ensure proper grounding of electrical appliances to reduce the risk of shock or fire.
- Store ingredients, tools, and supplies in the designated storage areas. Do not store heavy items on top of the station to avoid tipping hazards.
- Do not climb, lean heavily on, or sit on the station. This product is not designed to support body weight or excessive loads beyond its intended usage.

Parts



Bubble Tea Station

1 Piece(s)

Left Overshelf Top

1 Piece(s)

Right Overshelf Top

1 Piece(s)

Faucet

1 Piece(s)

Glass Refresher

1 Piece(s)

Waste Connector

1 Piece(s)

M6*18mm Cross Head Screws

9 Piece(s)

M6 Gaskets

18 Piece(s)

Middle Overshelf

1 Piece(s)

Left Overshelf Support

1 Piece(s)

Right Overshelf Support

1 Piece(s)

Gastro Pots

7 Piece(s)

Ice Well Drain

1 Piece(s)

Waste Pipe

1 Piece(s)

M6*20mm Hex Bolt

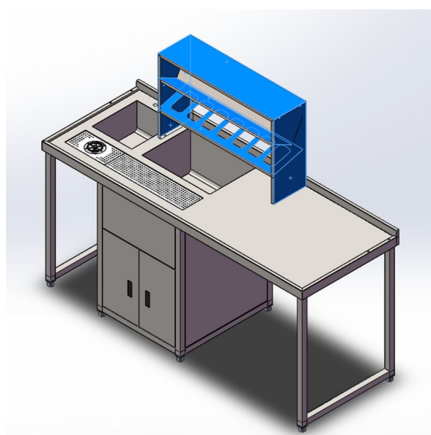
9 Piece(s)

Spring Gaskets

18 Piece(s)

Steps (5)

1. Install the Middle Overshelf

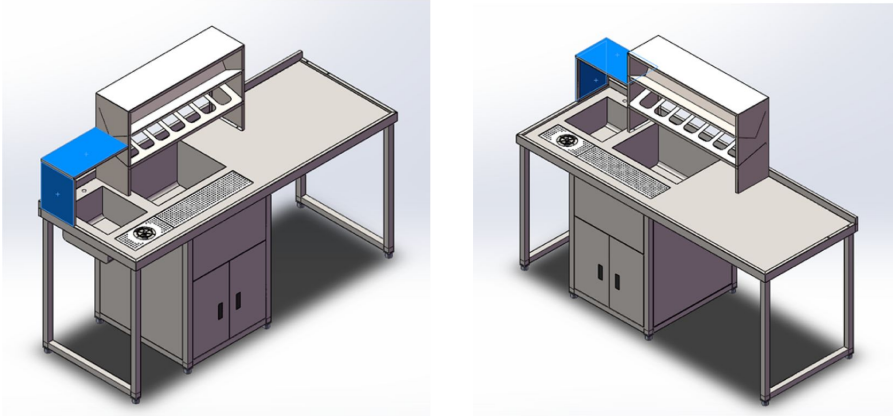


Using the Hex screws provided, fit the Middle Overshelf to the Bubble Tea Workstation, making sure to fasten tightly to properly secure the shelf to the station.



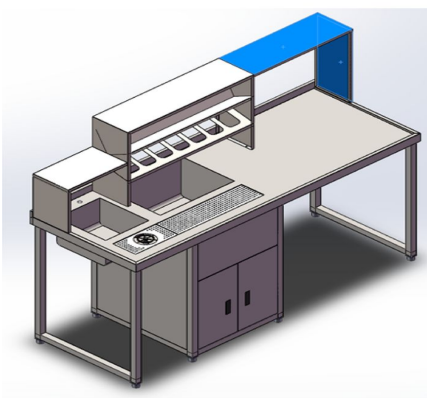
2. Install the Left Overshelf (top and support)

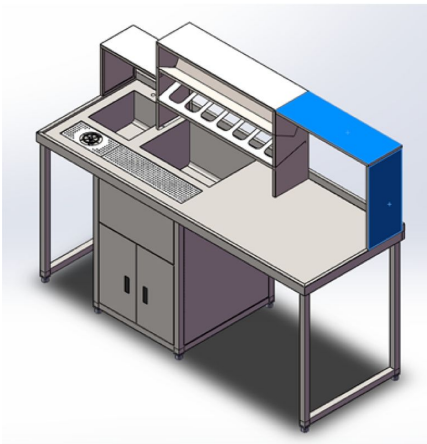
As with the previous step, secure the shelf to both the Bubble Tea Workstation and the Middle Overshelf using the screws provided. For the connection between the shelf and the workstation use the Hex screws to attach. For connecting the shelves together utilise the cross head screws.



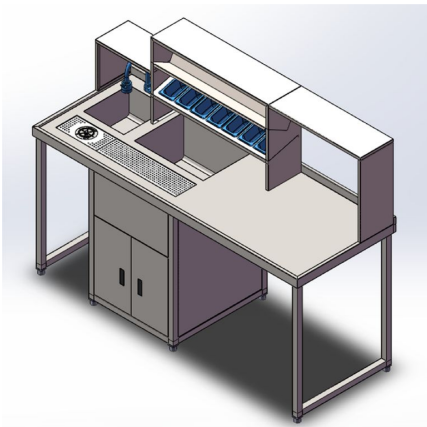
3. Install the Right Overshelf (top and support)

As with the previous step secure the shelf to both the Bubble Tea Workstation and the Middle Overshelf by screwing the parts together using the screws provided. For the connection between the shelf and the workstation use the Hex screws to attach. For connecting the shelves together utilise the cross head screws.



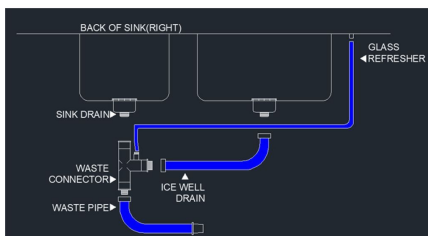


4. Install Faucet and Pots



Place the gastro pots into the corresponding spaces on the Middle Overshelf. Screw the faucet into the Bubble Tea Workstation by placing it into the holes and securing it underneath.

5. Install the Drain Pipe



Fasten the Glass refresher, Ice Well Drain and Waste Pipe to the Waste Connector. Then fasten the Waste Connector to the Sink Drain, securing tightly to avoid leaking.

