



**CM60**

# Closed Curved Corner Unit



MonsterShop

Try **Monster** - Buy **Monster** - Be **Monster**

# Specification

## Product Description

The curved corner shop counter works just as well as a standalone unit as it does as part of a team as an extension to other counters. To properly round off its appeal, it also has an expensive-looking laminate finish.

Why not try it as a point of sale shop counter or alongside other counters to make a customer service area? Let customers be almost as impressed with its design appeal as they are with your stock. You can also secretly store handy items on its shelves that you need access to in a hurry, like till roll or carrier bags.

Whether you decide to use this corner shop counter as the point of sale or as a beautiful retail display unit, it will give your stock and establishment that little extra touch of class and professionalism.

Available in maple, white lilac or black.

## Product Specifics

Dimensions: 600mm (W) x 600mm (D) x 900mm (H)

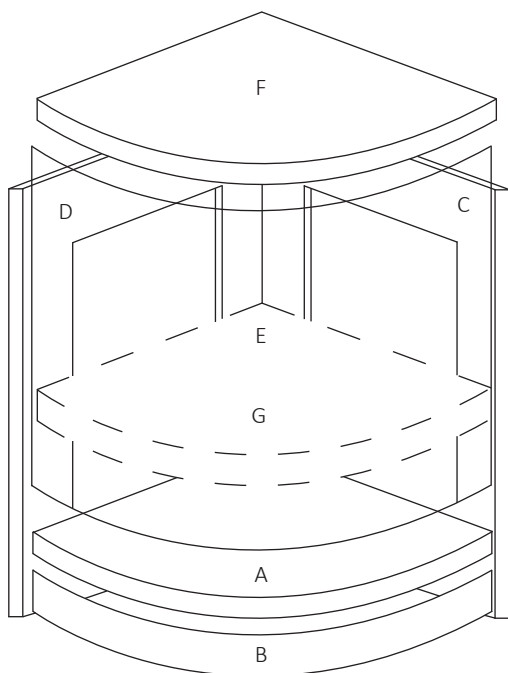
## Monster Guarantee

If you wish to return a product in perfect working order, we provide a 14 day returns policy as long as the item is unopened and in a resalable condition. A 12 month warranty applies to all of our electrical products, we will cover labour, parts and delivery charges. Our policy is to try and fix the item before arranging an exchange or refund. For full terms and conditions contact our Support department via the details on the Contact page.

# Specification

## Item Contents

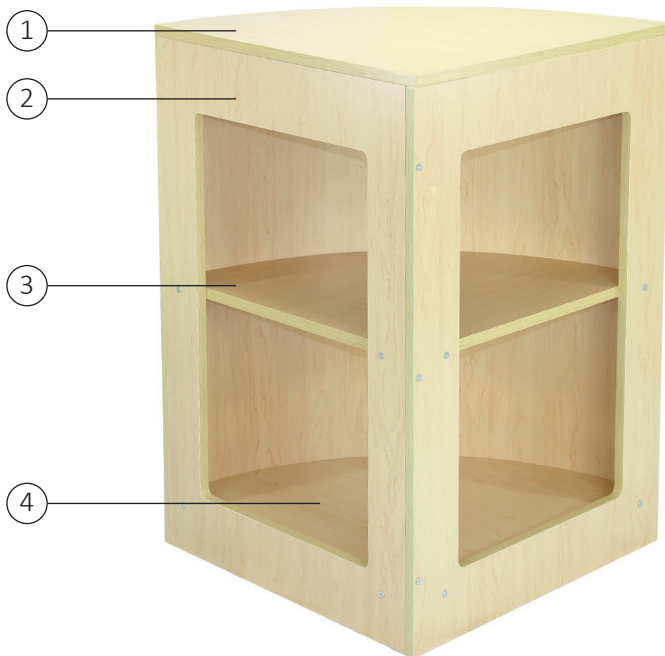
(A) Bottom Shelf	x1
(B) Bottom Panel	x1
(C) Side Panel	x1
(D) Side Panel	x1
(E) Front Panel	x1
(F) Counter Top	x1
(G) Shelf	x1
(i) Bolts	x11
(ii) Cross Dowel Nuts	x11
(iii) Cam Lock Pegs	x4
(iv) Cam Locks	x4



# Specification

## Product Features

- 1) Counter Top
- 2) Middle Shelf
- 3) Bottom Shelf
- 4) Side Panel



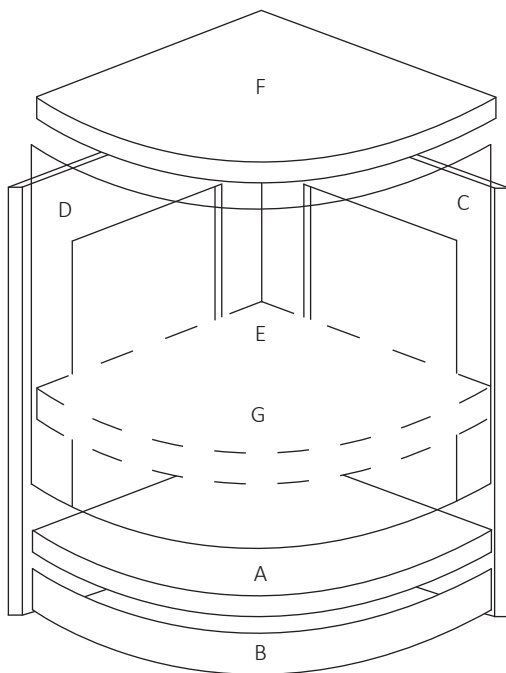
# User Guide

## Assembly Instructions

Please follow these simple instructions to assemble the retail counter.

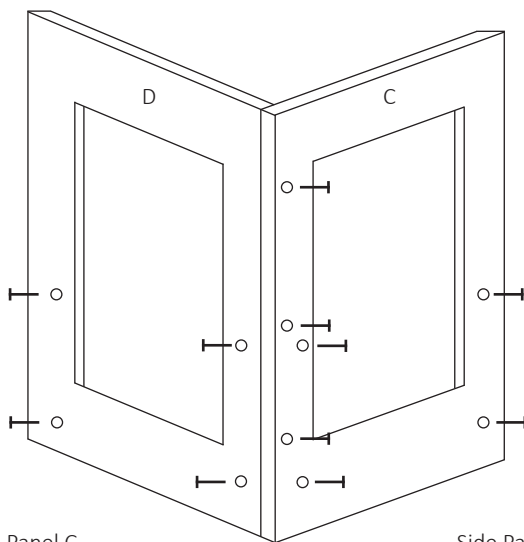
### Step 1:

Identify yourself with all the parts using the images below. Work in an appropriate area, with plenty of room.



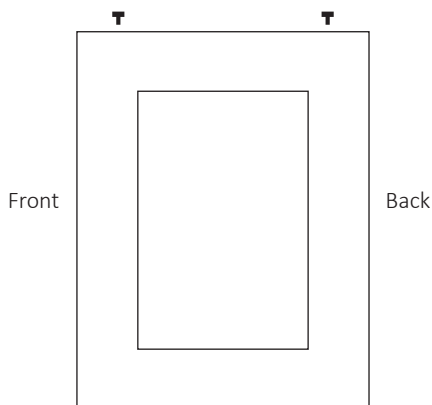
# User Guide

## Assembly Instructions



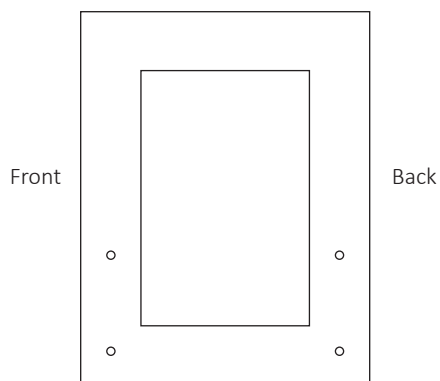
Side Panel C

Side Panel D



Front

Back



Front

Back

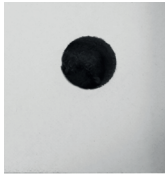
**Please Note:** When slotting in the front panel E and the base panel B, take care. You will need to slightly bend the wood. Do not over bend or use a lot of force when slotting them in the grooves.

# User Guide

## Assembly Instructions

### Step 2:

First place all the cam locks into the 4 holes in the counter top (F). There are 2 on each side panel.



Cabinet Part WITHOUT  
Cam Lock



Cabinet Part WITH  
Cam Lock

### Step 3:

Screw all the cam lock pegs into the appropriate holes, located on the tops of side panels C and D.



### Step 4:

Using the bolts and cross dowel nuts, attach parts A and G the side panel C. Turn the parts on the side, so C becomes the base.

### Step 5:

Slot the base panel B into C and the bottom of A. Attach D using the bolts and cross dowel nuts, to the shelves, whilst simultaneously slotting the base panel B into it. This part can be a little tricky when lining up all the parts with the bolts.

### Step 6:

Turn the counter the correct way up. Slot the front panel E, using the grooves.

### Step 7:

Place the counter top (F) on top and attach by turning the cam locks. Your counter should now be complete.

# User Guide

## Product Recommendations

Our large range of retail counters can be purchased separately or in money saving bundles to create a large retail counter or several customer facing display cabinets. Check out some bundles we have to offer...



Draco Set- A1200, C1200 & CM60



Zodiac Set- A1200, A1200 & CM60



Leo Set- B1200, C1200 & CM60



Gemini Set- C1200, C1200 & CM60



# Troubleshooting

## Resolution Guide

Please read through the guide below if you have any issues or faults with your counter. The information covers and resolves the majority of frequently asked questions.

**Q: The bolts are not screwing through the side panel into the shelf.**

**A:** If resistance is experienced when inserting the bolt into the cross dowel nut, try using a screwdriver to rotate the nut 180 degrees.

**Q: Nuts/bolts will not fit into the holes correctly.**

**A:** There may be some saw dust debris in the holes, which require removing before building commences.

**Q: There are pieces missing from my retail counter.**

**A:** Lay all parts out on the floor to double check the parts from the Item Contents page and be sure to look inside the counters original packaging. If the pieces can't be found you can contact our Customer Support department via the details on the Contact page.

**Q: Is my counter fire resistant?**

**A:** The counter is not fire resistant.

**Q: Can I paint my counter?**

**A:** We do not recommend you paint your counter.

# Safety Advice

## Safe Working Practice

Please read through the safe working practice to ensure prevention of injury or damage to the counter.

Do not store the counter in areas of high temperature or humidity.

There may be some sawdust in the holes, remove before building.

Prolong the life of the counter by keeping clean.

Use appropriate cleaning products to clean the wood and glass.



# Contact Us

## Sales Department

For information regarding this device or other products from our Monster divisions please use the following details below.

Tel: 01347 878888

Email: [hello@monstershop.co.uk](mailto:hello@monstershop.co.uk)

## Support Department

For queries about this device, warranty, returns or reporting faults please use the following details below.

Tel: 01347 878887

Email: [help@monstershop.co.uk](mailto:help@monstershop.co.uk)

## Website

To view our product range and fantastic offers in the Monster divisions please visit our website

[www.monstershop.co.uk](http://www.monstershop.co.uk)

## Address

To visit our office Monster House and view our products, send postal correspondence or return items our address is provided below.

Monster House, Alan Farnaby Way, Sheriff Hutton  
Industrial Estate, Sheriff Hutton, York YO60 6PG



---

Monster Group (UK) is one of the UK's fastest growing online retailers. We supply a diverse range of products which offer exceptional value for money. We strive to provide the best possible customer experience with free UK delivery across all our products and a Monster Guarantee for 100% satisfaction.

Our dedicated customer service team will be more than happy to help with any questions you may have.

Home & Garden  
Storage Shelving  
Sign & Digital  
Retail & Hospitality  
Commercial Equipment

**Check out all our Monster brands at [www.monstershop.co.uk](http://www.monstershop.co.uk)**

---