

Clarke®

3 TIER TROLLEY

Model No: CTT5



CE

ASSEMBLY INSTRUCTIONS

Thank you for purchasing this Clarke Three Tier Tool Trolley.

Before using this equipment, please read this instruction manual thoroughly, and follow all directions carefully. By doing so, you will ensure the safety of yourself, and others around you, and at the same time you should look forward to long and trouble free service from your Clarke Three Tier Trolley.

Guarantee

This CLARKE product is guaranteed against faults in manufacture for 12 months from purchase date. Please keep your receipt as proof of purchase.

This guarantee is invalid if the product has been abused or tampered with in any way, or not used for the purpose for which it is intended. The reason for return must be clearly stated.

This guarantee does not affect your statutory rights.

PARTS & SERVICE CONTACTS

For Spare Parts and Service, please contact your nearest dealer, or CLARKE International, on one of the following numbers.

PARTS & SERVICE TEL: 020 8988 7400

PARTS & SERVICE FAX: 020 8558 3622

or e-mail as follows:

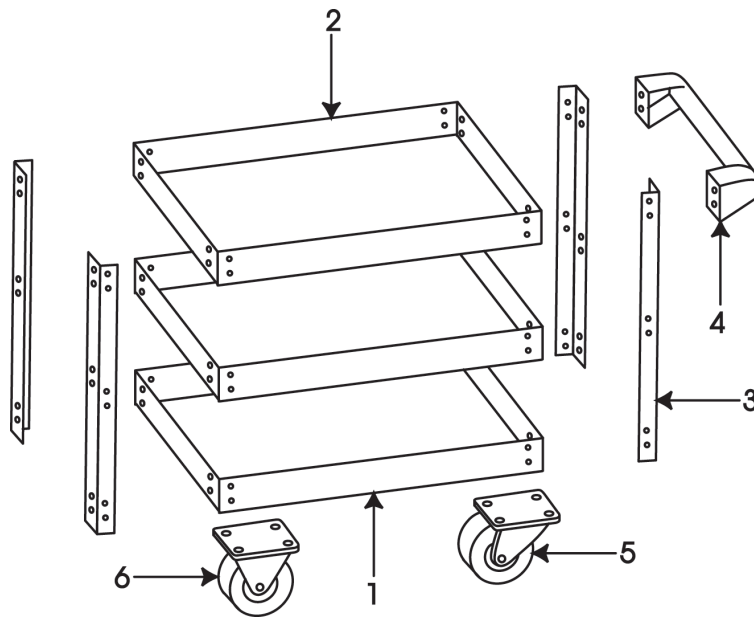
PARTS: Parts@clarkeinternational.com

SERVICE: Service@clarkeinternational.com

Assembly Instructions

1. Locate the bottom tool tray - item 1 (which has holes to accommodate the two castors and two fixed wheel assemblies).
2. Bolt the two castor assemblies - item 5, to the underside, and at one end of the bottom tool tray, and the two fixed wheels (item 6) at the opposite end, using the 16 nuts, bolts and washers supplied. Tighten nuts fully.
3. Bolt each of the corner supports - item 3, into place on the corners of the bottom tool tray, using the nuts, bolts and washers supplied, leaving them finger tight at this stage.
4. Bolt one of the remaining tool trays to the centre position, again, leaving the nuts finger tight.

5. Bolt the top tool tray into place loosely leaving four bolts from one end of the tool tray - out, for the time being. (The same end to which the castors are fitted to the bottom tray) These holes are used to mount the trolley handle.
6. Gently move the assembly to and fro, to ensure that no part is under stress and that it is not twisted in any way, and when satisfied, tighten all nuts and bolts so far assembled
7. Bolt the Trolley Handle - item 4, to the end of the top tool tray, using the four vacant bolt holes, the bolts passing through the trolley handle, corner support, and top tray. Tighten bolts. Your tool trolley is now ready for use.



Parts List

Item	Description	Qty	Part No.
1	Bottom Tool tray	1	JA5001
2	Tool Tray (top & centre)	2	JA5002
3	Corner Support	4	JA5003
4	Handle Assembly	1	JA5004
5	Castor Assembly	2	JA5005
6	Wheel Assembly	2	JA5006

Also supplied are 48 nuts, bolts and washers for securing the three trays., and 16 sets for securing the four castor assemblies.

A SELECTION FROM THE VAST RANGE OF

Clarke®

QUALITY PRODUCTS



AIR COMPRESSORS
From DIY to industrial. Plus air tools, spray guns and accessories.

GENERATORS
Prime duty or emergency standby for business, home and leisure.

POWER WASHERS
Hot and cold, electric and engine driven - we have what you need.

WELDERS
Mig, Arc, Tig and Spot. From DIY to auto/industrial.

METALWORKING
Drills, grinders and saws for DIY and professional use.

WOODWORKING
Saws, sanders, lathes, mortisers and dust extraction.

HYDRAULICS
Cranes, body repair kits, transmission jacks for all types of workshop use.

WATER PUMPS
Submersible, electric and engine driven for DIY, agriculture and industry.

POWER TOOLS
Angle grinders, cordless drill sets, saws and sanders.

STARTER/CHARGERS
All sizes for car & commercial use.



Clarke INTERNATIONAL

For spare parts and servicing, please contact your nearest dealer, or Clarke International on

020 - 8988 - 7400

e-mail: Parts@clarkeinternational.com e-mail: Service@clarkeinternational.com

Hennall Street, Epping, Essex CM16 4LG