



**10634 / 10635**

# Catering Sink



Try **Monster** - Buy **Monster** - Be **Monster**

# Specification

## Product Description

The KuKoo Catering Sink is ideally suited towards any commercial kitchen setting for example, restaurants, hotels and cafes.

Made from stainless steel, the bench is the perfect material as it has excellent corrosion resistance, including high protection against acidic foods. The steel can endure high temperatures and combat oxidisation. Spot on for your kitchen!

Featuring a 100mm splash back, it will help protect the wall from a splatter. With the option of a left or right hand side sink, you can work the sinks around your kitchen!

Time to get on those rubber gloves and wash up those pots and pans!

## Product Specifics

Dimensions: 900mm H x 1200mm W x 600mm D

Weight Capacity: 250 Kg

Material: 201 Stainless Steel

Sink Side Options: Left and Right Hand Side

## Monster Guarantee

If you wish to return a product in perfect working order, we provide a 14 day returns policy as long as the item is unopened and in a resalable condition. A 12 month warranty applies to all of our electrical products; we will cover labour, parts and delivery charges. Our policy is to try and fix the item before arranging an exchange or refund. If for any reason a part is missing please get in touch with us within 7 days on receipt of your order. You can call or email our friendly and helpful Customer Support Team. For full terms and conditions contact our Support Department via the details on the Contact Us page.

# Specification

## Product Features

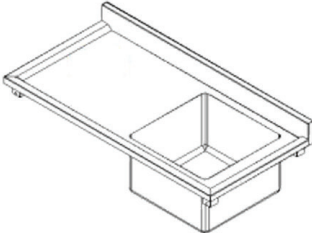
- 1) Legs
- 2) Front
- 3) Bench Top
- 4) Splash Back
- 5) Sink
- 6) Lower Shelf
- 7) Feet



# Specification

## Product Parts

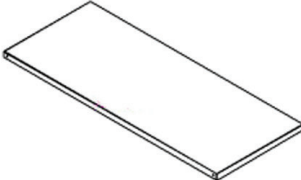
A



B



C



D



D



E



F



G



G



H



I



# User Guide

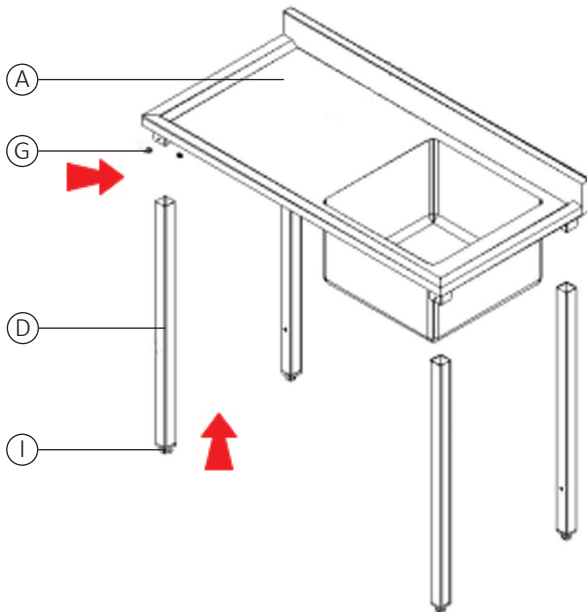
## Assembly Instructions

### Step One:

Before you start, we recommend you assemble the catering bench on a soft surface. It may be easier if 2 people build the bench together.

### Step Two:

Add the feet (I) to the legs (D). Attach the legs to the sink (A) using G.

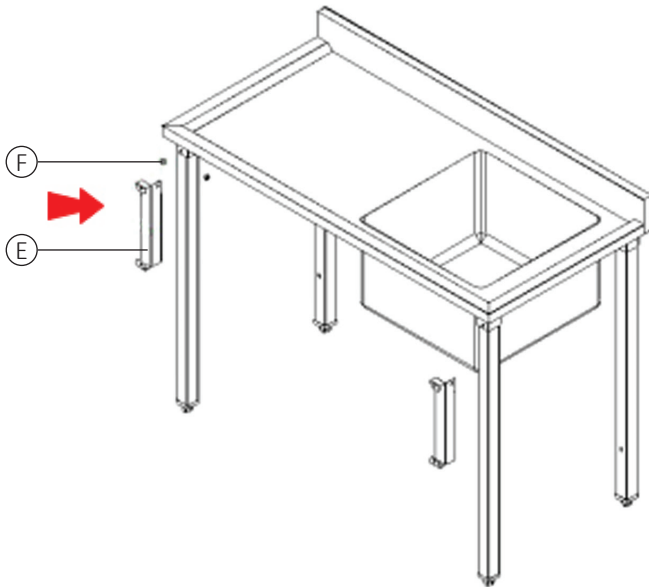


# User Guide

## Assembly Instructions

Step Three:

Secure the front brackets (E) with bolts (F).

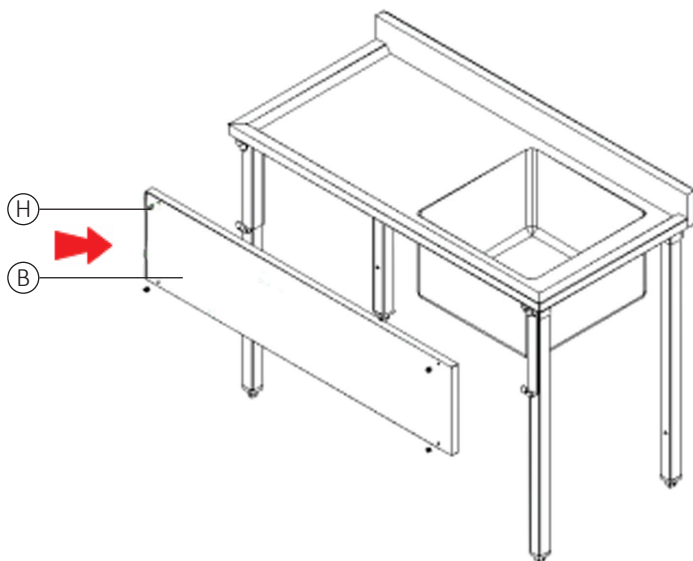


# User Guide

## Assembly Instructions

Step Three:

Secure the front (B) with screws (H).

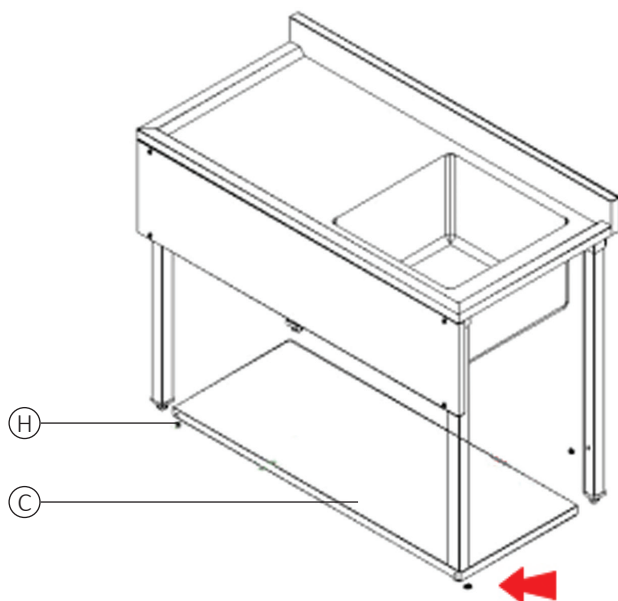


# User Guide

## Assembly Instructions

Step Four:

Secure the lower shelf (C) with screws (H). Your catering sink is now complete - make sure you fit taps with correct plumbing.





# Troubleshooting

## Resolution Guide

Please read through the guide below if you have any issues or faults with your device. The information covers and resolves the majority of frequently asked questions.

**Q: There are parts missing from my order.**

**A:** If there appears to be any part missing from your package, please contact our Customer Support team via the details on the Contact Us page.

**Q: Why is my catering sink unsteady and wobbling?**

**A:** The sink may be on an uneven surface or the legs are at different heights. To resolve this, the feet are adjustable and so you can individually change the heights to stop the movement.

# Safety Advice

## Safe Working Practice

Please read through the safe working practice to ensure prevention of injury or damage to the device.

Do not over load the sink.

Position the sink on flat and solid ground.

Ensure all parts are properly attached before use.

Keep the KuKoo Catering Sink clean to prolong working life.

Do not sit and/or stand on the sink.



# Contact Us

## Sales Department

For information regarding this device or other products from our Monster divisions please use the following details below.

Tel: 01347 878888

Email: [hello@monstershop.co.uk](mailto:hello@monstershop.co.uk)

## Support Department

For queries about this device, warranty, returns or reporting faults please use the following details below.

Tel: 01347 878887

Email: [help@monstershop.co.uk](mailto:help@monstershop.co.uk)

## Website

To view our product range and fantastic offers in the Monster Chef division please visit our website

[www.monstershop.co.uk](http://www.monstershop.co.uk)

## Address

To visit our office Monster House and view our products, send postal correspondence or return items our address is provided below.

Monster House, Alan Farnaby Way, Sheriff Hutton  
Industrial Estate, Sheriff Hutton, York YO60 6PG



---

Monster Group (UK) is one of the UK's fastest growing online retailers. We supply a diverse range of products which offer exceptional value for money. We strive to provide the best possible customer experience with free UK delivery across all our products and a Monster Guarantee for 100% satisfaction.

Our dedicated customer service team will be more than happy to help with any questions you may have.

Home & Garden  
Storage Shelving  
Sign & Digital  
Retail & Hospitality  
Commercial Equipment

**Check out all our Monster brands at [www.monstershop.co.uk](http://www.monstershop.co.uk)**

---