

# Ford Transit Custom Toolbox Van Racking

29851

INSTRUCTION MANUAL

[www.monstershop.co.uk](http://www.monstershop.co.uk)



# SPECIFICATION

## PRODUCT DESCRIPTION

The Ford Transit Custom Toolbox Van Rack is great for storing tools, parts and equipment. Designed to fit inside a Ford Transit Custom Van, this very easy to assemble rack can help you get organised!

## PRODUCT SPECIFICS

<b>MATERIAL:</b>	Birch Plywood
<b>DIMENSIONS:</b>	136 (H) x 102 (W) x 30 (D) cm
<b>WEIGHT:</b>	20.5KG

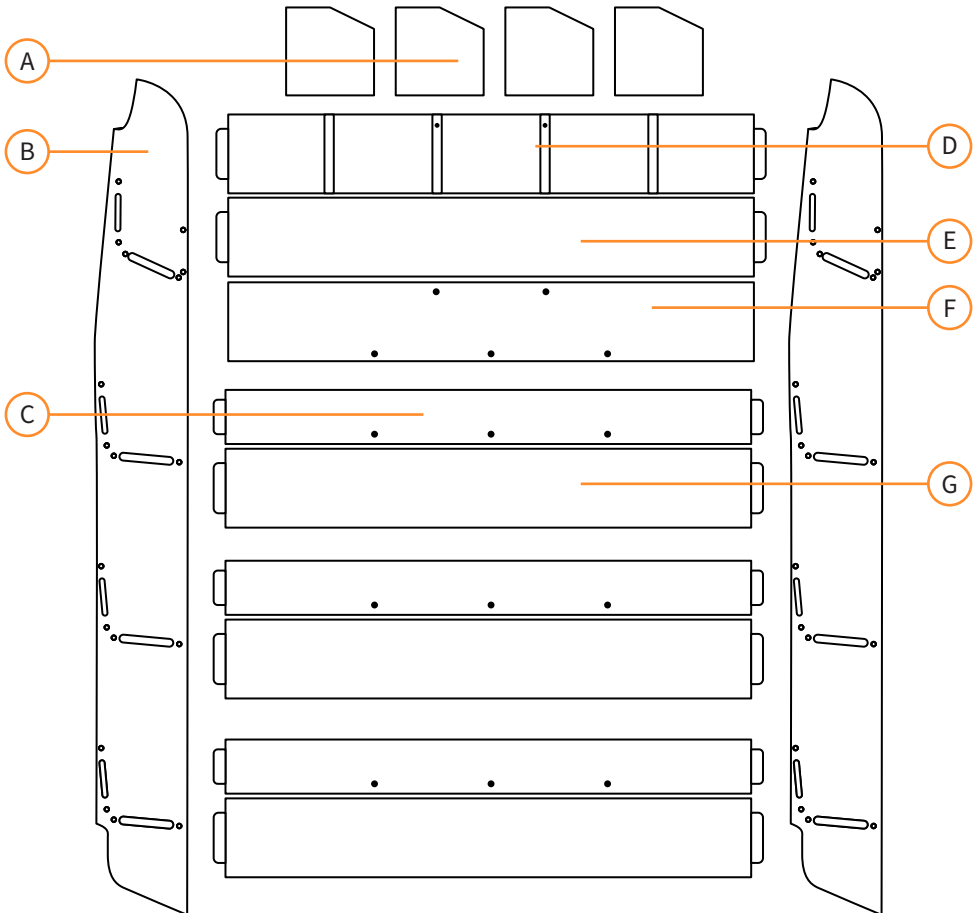
## ITEM CONTENTS

- 2 x Side Panels
- 4 x Dividers
- 3 x Back Panels
- 3 x Shelves
- 1 x Back Compartment Panel
- 1 x Front Compartment Panel
- 1 x Bottom Compartment Panel
- 1 x Screw Pack inc. Brackets

# SPECIFICATION

## PRODUCT FEATURES

- A. Divider
- B. Side Panel
- C. Back Panel
- D. Back Compartment Panel
- E. Bottom Compartment Panel
- F. Front Compartment Panel
- G. Shelf



Monster Group UK Limited's liability will be limited to the commercial value of the product only.

# SAFETY ADVICE

## SAFE WORKING PRACTICE

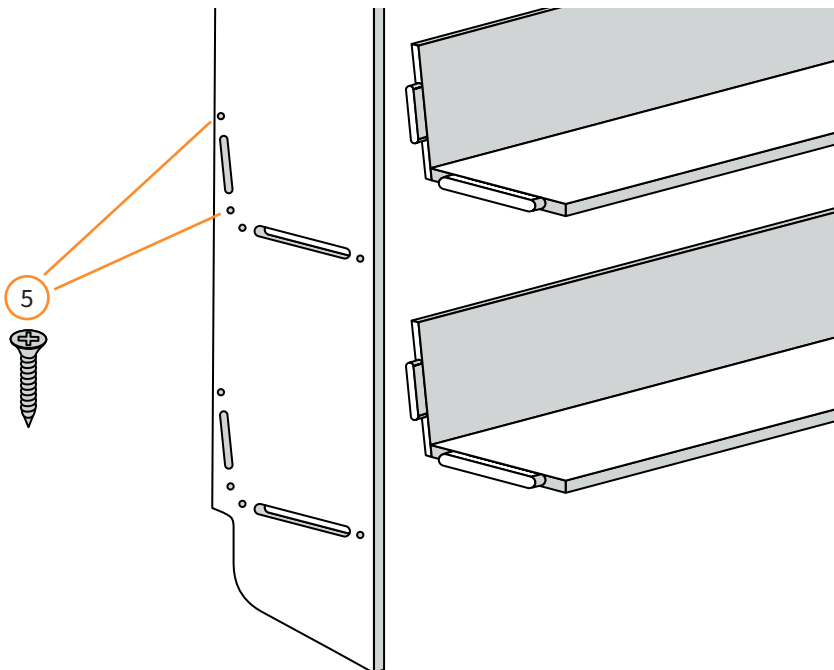
Please read through the Safe Working Practice to ensure prevention of injury or damage to the device.

- Do not use this product for anything other than its intended purposes.
- Ensure you have read and fully understood the instruction manual and safety advice before using this product. Follow the instructions provided whilst constructing this product.
- We strongly recommend hiring a qualified professional to construct this racking.
- Do not exceed the load bearing capacity of the racking. This could result in the racking toppling and causing damage to property and/or injury to persons.
- Ensure all bolts, screws, etc., are secure and tight.
- Keep your construction area clear of children, pets/animals and untrained persons. Keep the area clear from clutter also.
- Do not alter or modify the product in any way.
- Regularly inspect the product for damage and signs of wear. Tighten any components that appear to be loose.
- If significant damage occurs which threatens the stability of the racking, unload all items stored on the damaged section of the rack immediately. The rack should not be used until all repairs have been undertaken by a qualified professional

# USER GUIDE

## ASSEMBLY INSTRUCTIONS

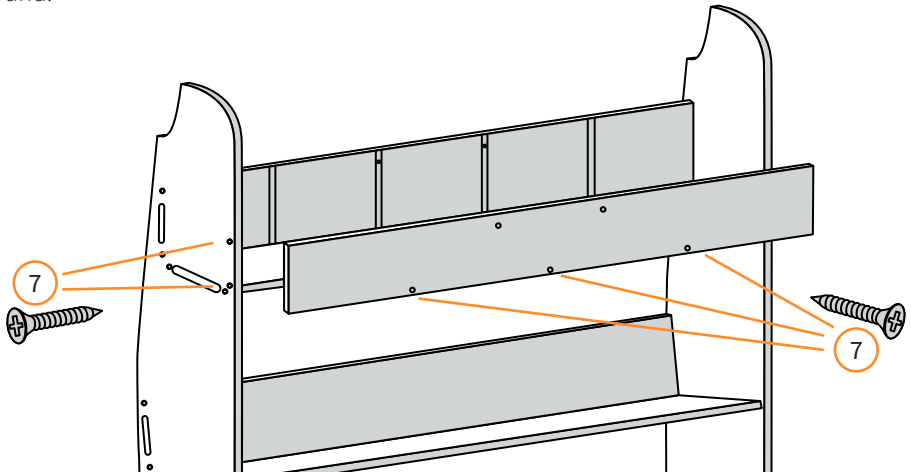
1. Ensure you have all the parts required to assemble the Toolbox Van Racking.
2. Start by inserting the Back Panels **(C)** and the Shelves **(G)** into the designated slots in one of the Side Panels **(B)**.
3. Once these are slotted in securely, insert the Back Compartment Panel **(D)** and the Bottom Compartment Panel **(E)** in the same way that you did with the Back Panels **(C)** and the Shelves **(G)**.
4. Next, take the remaining Side Panel **(B)** and align it on the other side of your shelves. Slot the Side Panel **(B)** in place as done in the previous steps.
5. You should now have the racking standing by itself. Secure the shelves and panels by using the screws provided, as shown below. The Side Panels **(B)** have pre-drilled holes indicating where the screws should go.



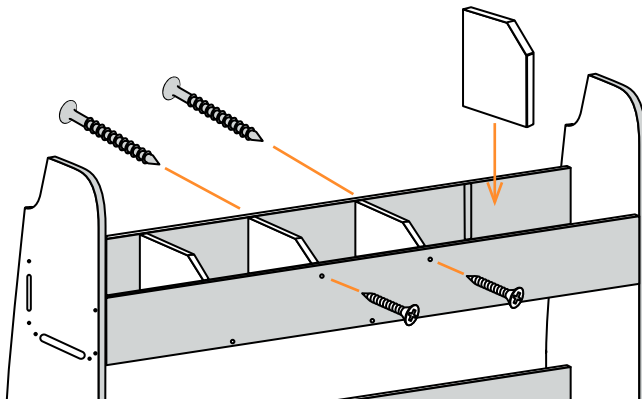
# USER GUIDE

## ASSEMBLY INSTRUCTIONS

- Secure the Back Panels **(C)** and the Shelves **(G)** together by using the screws provided into the pre-drilled holes at the back of the Back Panels **(C)**.
- To complete the assembly of the van racking, take the Front Compartment Panel **(F)** and screw it into the designated slots on the Side Panels **(B)** where the pre-drilled holes are found.



- Use the Dividers **(A)** to customise the top compartment as you see fit!



# TROUBLESHOOTING

## RESOLUTION GUIDE

### WHAT DO I DO IF THERE ARE MISSING PARTS FROM MY ORDER?

If there appears to be any part missing from your order, contact our friendly and helpful Customer Support Team within 7 days of receipt.

### CAN I PAINT MY VAN RACK?

Yes, you can. However, the plywood isn't pre-primed. Make sure you apply a primer before you begin painting. The primer will prevent the paint from being affected by the colour of the boards, and it will give it a nice finish, too.

### WHAT SORT OF TOOLS DO I NEED TO ASSEMBLE THE VAN RACK?

The only tool required to assemble the Van Rack is a screwdriver. All components are predrilled, and fixings are provided. If you're having trouble connecting pieces and fittings, you may want to use a rubber mallet to gently tap the pieces together.

**FOR ALL OTHER ISSUES, PLEASE CONTACT OUR  
CUSTOMER SUPPORT TEAM.**