

MaxBlast Hand Dryer



By Monster Retail



Specification

Product Description

The MaxBlast Hand Dryer offers the highest standard in hand dryer technology with an immensely powerful air output of 120 metres per second allowing for hands to be dried in 7 - 12 seconds. With an economical power output of 550W (when operating below 25°C) the MaxBlast Hand Dryer doesn't only save the need for hand towels, it also saves electricity making it cheap to run.

The stylish chrome effect body gives the hand dryer a solid surround and with functions such as automatic cutoff after 40 seconds you can guarantee that electricity won't be wasted.

Monster Guarantee

On purchasing this product from our Monster Retail range you qualify for our 12 month electrical item guarantee.

Item Contents

MaxBlast Hand Dryer

13 amp 3 pin plug lead

4 x Wall plugs, rubber washers, screws for installation

Allen Key

Technical Parameters

Rated Voltage:	220-240V
Power Output 25°C >:	550 W
Power Output 25°C <:	1400-1650 W
Wind Speed:	120 m/second
Temperature:	20 - 40°C
Noise Level:	72 dB

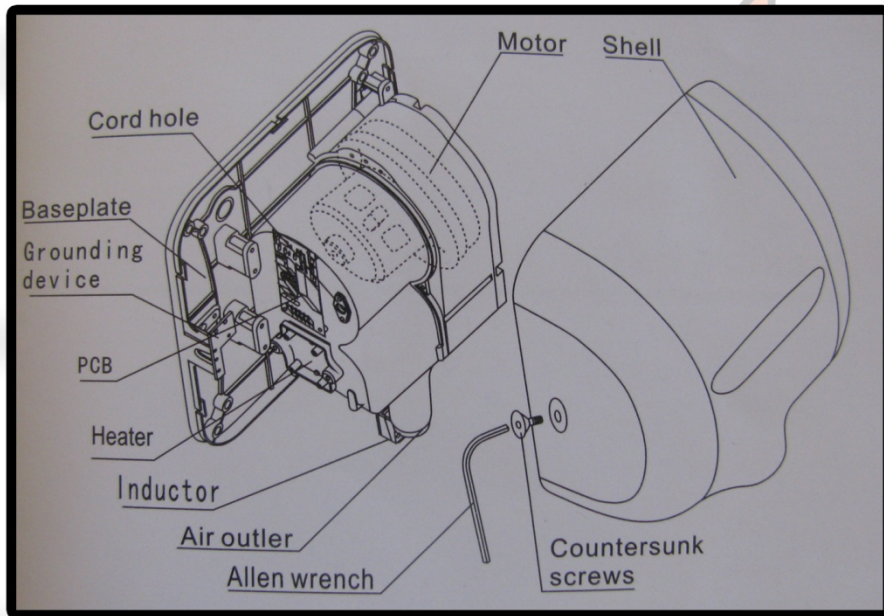
Product Dimensions

Packaging Dimensions:	34 x 21.5 x 32 cm
Product Dimensions:	29.5 x 21.5 x 36 cm
Product Weight:	4.4 KG

Specification



Hand Dryer Components

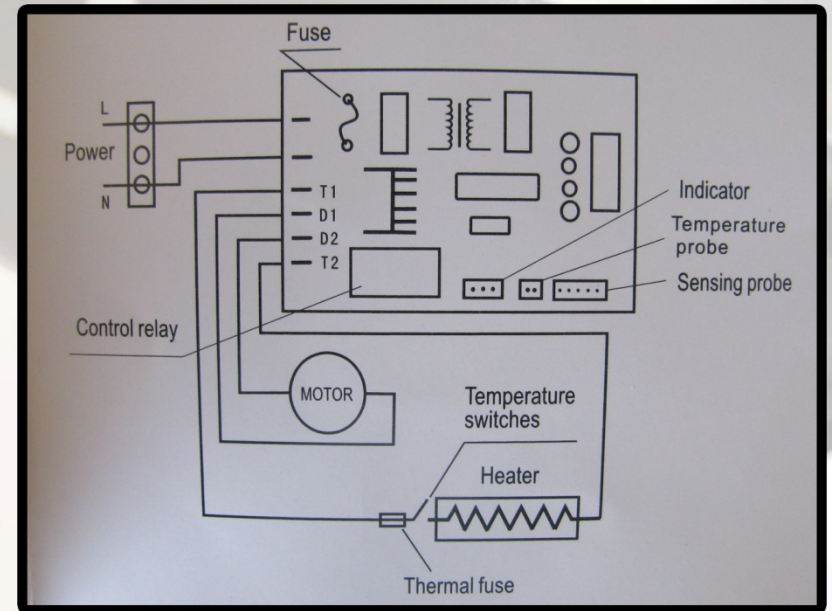


	Check	Description	Issue/Resolution
1	Shake the unit gently	If the unit does not move it has been installed correctly	If the unit can be moved, the machine will vibrate and be noisy. Re-install the unit on to the wall.
2	Check the power and voltage	Ensure that the machine is wired into the correct rated voltage.	If the machine is not wired into the correct voltage it can burn the motor out or cause injury.
3	Switch on the power	Ensure that the power is reaching the unit.	If no power is reaching the unit check the internal connection and the double pole fuse switch.
4	Test the machine	Ensure that it has a high wind speed output.	Ensure that the sensor is working accurately. Contact customer service if it is not working correctly

Product Features

The relevant features of the Hand Dryer are all highlighted on this page.

Electrical Diagram



The table to the left explains different checks that should be undertaken before use. Please ensure that the hand dryer is working correctly and efficiently before further use.

Set-Up Guide

Installation

The following instructions explain on how to install the Hand Dryer.

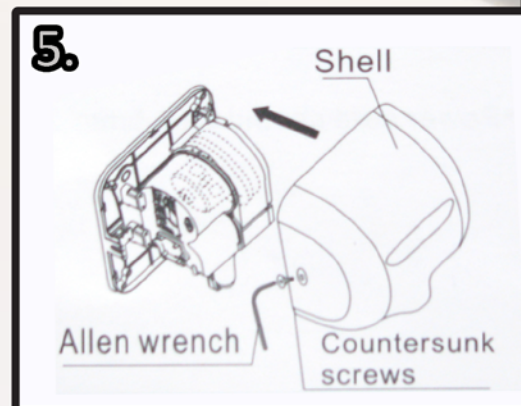
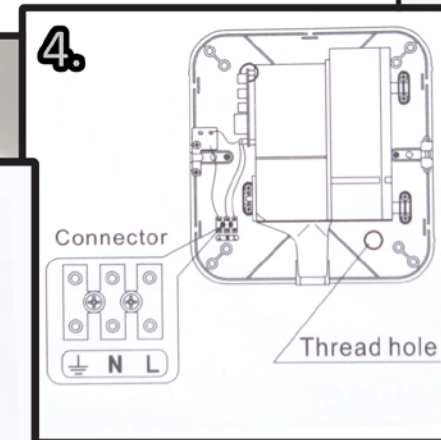
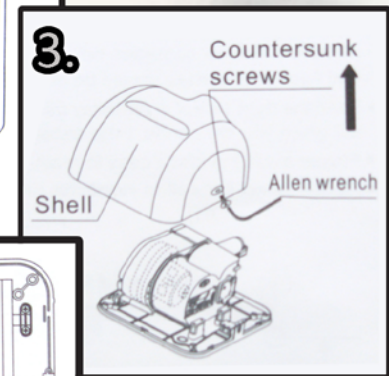
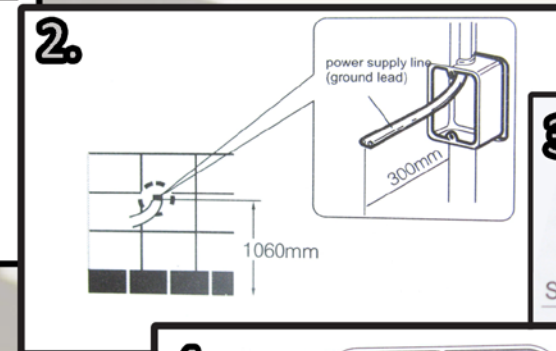
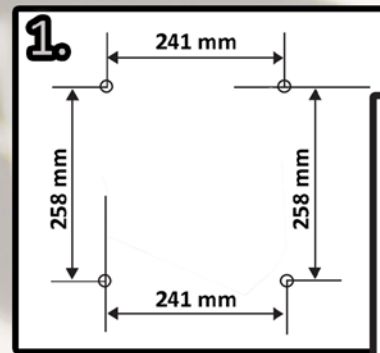
1. Installation location - Diagram 1 shows the measurements of the mounting holes and the position of the junction box cut out. Ensure that the hand dryer is installed at least 150 mm away from any obstacles directly below and at least 100 mm away from obstacles or walls on the left or right hand side. The hand dryer should not be installed in tight spaces or near doors.

2. Power lead connection - The Hand Dryer has a 3 pin plug fitted on arrival, however due to the environment that the Hand Dryer is installed we recommend that the power lead is connected into a double pole fused switch.

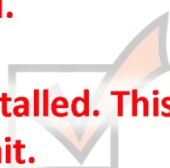
3. Using an allen key, remove both countersunk screws from the side of the hand dryer outer shell and lift the outer shell off to expose the inside of the dryer.

4. The Hand Dryer needs to be fixed to the wall using the wall plugs, rubber washer and screws as provided. If the power lead needs removing during installation into a double pole fused switch this can be easily removed from the connector as shown.

5. Once the Hand Dryer has been installed into the mains power supply and on to the wall the outer casing can be replaced. With the power switched off place the casing back over the unit and tighten the countersunk screws back into place.



Safety Advice



The machine must be powered from a plug with a ground connection. Do not place the wire near a heat source or any water or liquids. Ensure the wire and plug is undamaged before operating.

Do not open the front panel whilst plugged in. This can cause an electric shock hazard.

Do not allow the unit to get wet as this can cause an electrical shock hazard

Do not use the dryer in a wet environment where it can come into direct contact with water or condensation (e.g. wetroom, shower room). This can cause damage to the unit and present an electrical shock hazard.

Do not hang from the dryer once installed. This can cause damage to the unit.

Safe Working Practice

Please read through the safe working practice to ensure prevention of injury or damage to the Hand Dryer.

Do not modify or disassemble the unit unless suitably qualified. This can cause fire, malfunction or electric shock.

Before uninstalling or performing maintenance ensure that the unit is unplugged/removed from the mains power source.

If the power tolerance is $-/+ 10\%$ of the rated power supply this can cause a malfunction and present a fire hazard. Ensure that the unit correctly conforms to the rated voltage.

To clean the hand dryer use a damp cloth and a neutral detergent such as stainless steel polish.

Contact Us

Our contact details for both our sales and support departments are provided below.

Sales Department

For information regarding our consumables range and other products from our Monster Retail division please use the details below.

Tel: 01347 878881

Email: sales@monstergroupuk.co.uk

Support Department

For customer care queries, returns, reporting faults or for enquiries regarding warranty repairs please use the details below.

Tel: 01347 878887

Email: support@monstergroupuk.co.uk

Address

To visit our brand new offices 'Monster House' to view our product range, send postal correspondence or to return items our address is provided below.

Monster House, Alan Farnaby Way, Sheriff Hutton Industrial Estate, Sheriff Hutton, York, YO60 6PG