

A StepAlong by Monster Shop (UK)

Modular Cocktail Bar Corner Unit

214783

Description of Unit

The Kukoo Modular Stainless Steel Corner Unit is the perfect solution for creating seamless connectivity between two cocktail bar stations in your setup. Designed exclusively for use with the Kukoo Cocktail Bar Station range, this durable unit features adjustable feet for stability on uneven surfaces and sturdy brackets to securely attach to adjacent stations. Its sleek stainless steel construction ensures both style and functionality, making it an essential addition to any professional bar environment.

Specifications

Product Dimensions: 85cm (H) x 54.7cm (D) x 54.7cm (W)

Splashback Height: 5cm

Underneath Storage Area Dimensions: 42.5cm (W) x 60.2cm (H)

Material: #304 Stainless Steel



Safety Advice

- Ensure you have read and fully understood the instruction manual and safety advice before using this product.
- Inspect all components and hardware upon delivery to ensure no parts are missing or damaged. Do not assemble or use the product if any components are defective or absent.
- This product is designed to be used exclusively with other products from the Kukoo Cocktail Bar Station range. Do not attempt to use it with incompatible products or in a standalone configuration.
- Before assembly, identify a level and stable surface for installation. Do not attempt to install the product on uneven or unstable surfaces.
- Securely attach this unit to adjacent Kukoo Cocktail Bar Station products using the supplied brackets. Ensure the brackets are tightly fixed, and all screws are fully tightened to avoid instability.
- During assembly, use appropriate tools as recommended in the instruction manual. Avoid over-tightening screws, as this may damage the brackets or frame.
- Do not sit, stand, or climb on the unit, as this could cause it to become unstable, leading to injury or damage.
- Adjust the feet to ensure the unit is level. Failure to level the unit may result in instability during use.
- Keep the installation area free of obstructions and clutter to minimise tripping hazards during assembly and usage.
- Do not modify or alter the product, its brackets, or components in any way. Such modifications can compromise safety and void the warranty.
- Regularly inspect the product, including the brackets, screws, and adjustable feet, to ensure all parts remain securely fastened and in good condition. Tighten or replace components as necessary.
- Ensure the product is positioned away from heat sources, open flames, or other hazardous areas where the stainless steel may become excessively hot.
- Avoid placing sharp or heavy objects on the surface without adequate care, as this may cause dents, scratches, or damage to the product.

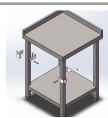


- If the product shows any signs of damage, corrosion, or instability, cease use immediately and contact us for replacement parts or support.

Parts

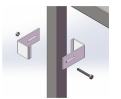
Modular Bar Table

1 Piece(s)



Bracket

2 Piece(s)



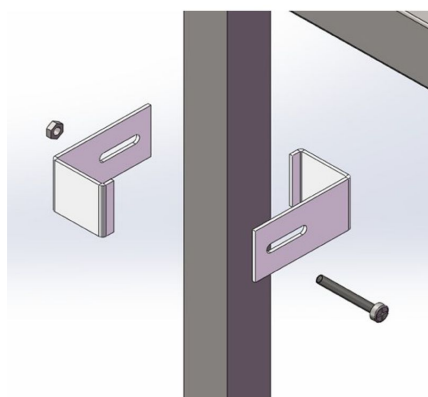
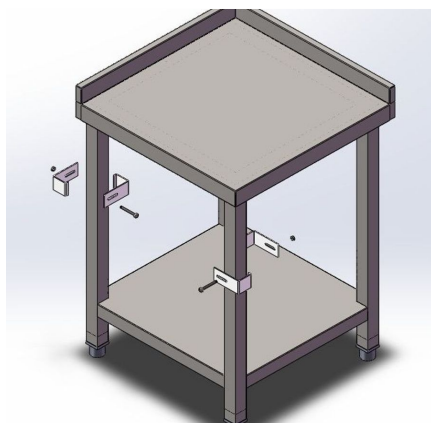
Screw and Bolt

2 Piece(s)

Steps (4)

1. Attach the Fitting

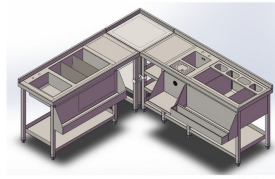
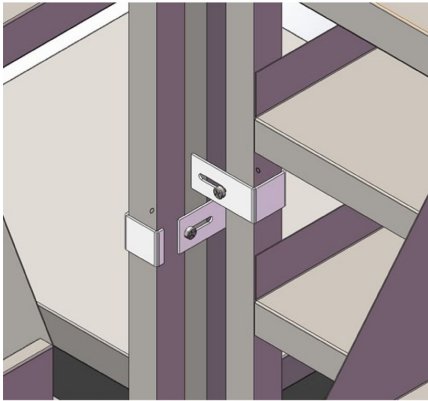
- Attach the fitting to the leg of the Modular Cocktail Bar unit and the leg of the adjacent bar unit.
- Secure the fitting using the screw and bolt provided.
- Repeat this process until you get your desired layout.



2. Modular Unit Secured

Your modular corner unit is now secure to the adjacent cocktail bar stations.





3. Maintenance

- Clean the stainless steel surfaces with a mild detergent and a soft cloth.
- Avoid using abrasive cleaning products or tools that could damage the finish.
- Dry thoroughly to prevent water spots or corrosion.

4. Trouble Shooting

WHAT DO I DO IF THERE ARE MISSING PARTS FROM MY ORDER?

- If there appears to be any part missing from your order, contact our friendly and helpful Customer Support Team within 7 days of receipt.

FOR ALL OTHER ISSUES, PLEASE CONTACT OUR CUSTOMER SUPPORT TEAM.

