



Pizza Oven Switch Replacement

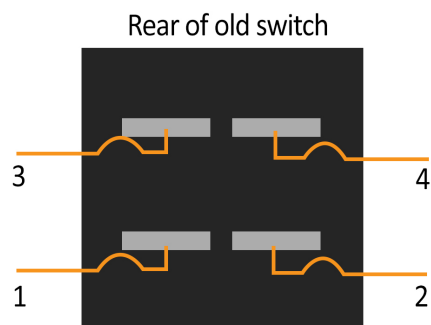
1) Turn the oven off, disconnect it from the power supply and allow the appliance time to cool.

2) Unscrew the four screws to remove the side panel on the right hand side of the oven.



3) Locate the rear of the switch.

4) Put identification markers on the wires that are attached to the rear of the switch. For example:



5) Remove the wires from the rear of the switch.

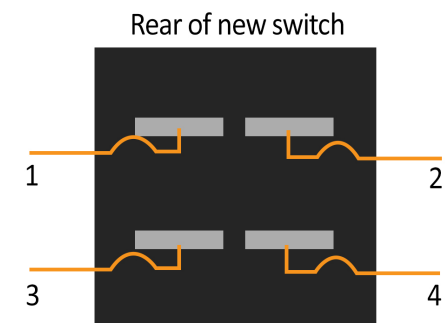
6) Break off the plastic covers from the crimps and replace with the new covers.

7) Remove the switch from the front of the oven.

8) Insert the new switch into the front of the oven.

9) The connectors on the new switch are different to the old switch. Ensure the wires are still identified with the markers.

10) The wires push on to the connectors on the rear of the new switch as follows in the example:



11) Once the switch is connected replace the side panel and screws. Turn on the oven and test the new switch.

If you find you are having any issues with your KuKoo Pizza Oven please contact our Customer Support team who will be happy to help.

Phone: 01347 878887

Email: support@monstergroupuk.co.uk