



# Adjustable and Fixed Radiator Cover

24292/24297 - 24293/24298

24294/24299 - 24295/24300



Try **Monster** - Buy **Monster** - Be **Monster**

# Specification

## Product Description

The MonsterShop Radiator Cover is the perfect addition to any home. The trellised front design adds a simple, attractive, modern touch to your home --with the added benefit of concealing your radiator!

The Radiator Cover also acts as a shelf, freeing up more space for displays or ornaments without clutter.

The high quality MDF Radiator Cover is durable and definitely won't let you down, no matter your needs.

NOTE: This Instruction Manual covers all models of our Radiator Covers. That is;

- **Natural and White 1115mm Radiator Cover**
- **Natural and White 1515mm Radiator Cover**
- **Natural and White 1720mm Radiator Cover**
- **Natural and White Adjustable Radiator Cover**

The contents of these Radiator Covers may differ between each model. For your reference, please see the following table which breaks down item itinerary and labels the panels for you.

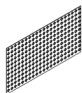


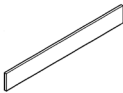
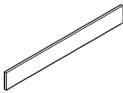
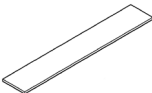


The assembly of the 1515mm Radiator Cover and the 1720mm Radiator Cover is very similar, so we have combined the Assembly Instructions for these two models.

All models of this product require a drill to fit to a wall and a screwdriver to secure the panels.

# Specification

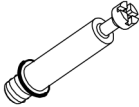

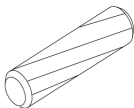

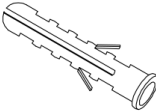

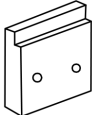
## Item Contents

Natural and White 1115mm Radiator Cover;

Part	Part Name	Illustration	Quantity
<b>A</b>	Grill		1
<b>B</b>	Left Grill Support		1
<b>C</b>	Right Grill Support		1
<b>D</b>	Upper Grill Support		1
<b>E</b>	Lower Grill Support		1
<b>F</b>	Top Panel		1
<b>G</b>	Left Panel		1
<b>H</b>	Right Panel		1

# Specification

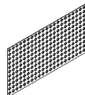



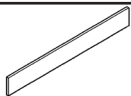
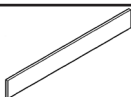



## Item Contents

Part	Part Name	Illustration	Quantity
I	Cam Bolt		14
J	Cam Lock		14
K	Dowel		8
L	Screw	40*3.5mm 	4
M	Wall Plug		4
N	Plastic Capped Nail		19
O	Wall Fixing		2

# Specification

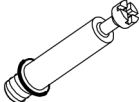

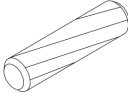

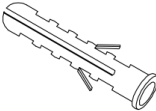
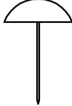
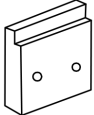
## Item Contents

Natural and White 1515mm Radiator Cover & Natural and White 1720mm Radiator Cover;

Part	Part Name	Illustration	Quantity
<b>A</b>	Grill		2
<b>B</b>	Left Grill Support		1
<b>C</b>	Centre Grill Support		1
<b>D</b>	Right Grill Support		1
<b>E</b>	Upper Grill Support		2
<b>F</b>	Lower Grill Support		2
<b>G</b>	Top Panel		1
<b>H</b>	Left Panel		1
<b>I</b>	Right Panel		1

# Specification

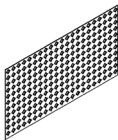
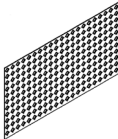
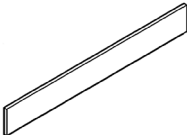
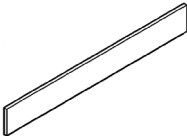
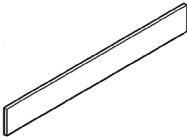

## Item Contents

Part	Part Name	Illustration	Quantity
<b>J</b>	Cam Bolt		19
<b>K</b>	Cam Lock		19
<b>L</b>	Dowel		16
<b>M</b>	Screw	40*3.5mm 	4
<b>N</b>	Wall Plug		4
<b>O</b>	Plastic Capped Nail		26
<b>P</b>	Wall Fixing		2

# Specification



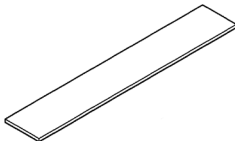
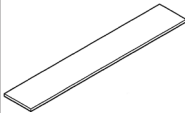
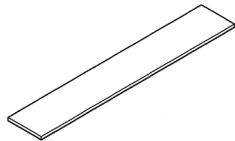

## Item Contents

Natural and White Adjustable Radiator Cover:

Part	Part Name	Illustration	Quantity
<b>A</b>	Central Grill		1
<b>B</b>	Left and Right Grill		2
<b>C</b>	Upper and Lower Central Grill Support		2
<b>D</b>	Upper and Lower Left Grill Support		2
<b>E</b>	Upper and Lower Right Grill Support		2
<b>F</b>	Centre Grill Support		2

# Specification

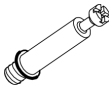

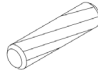

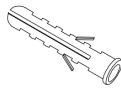

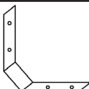
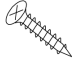

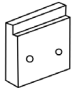
## Item Contents

Part	Part Name	Illustration	Quantity
<b>G</b>	Left Panel		2
<b>H</b>	Right Panel		2
<b>I</b>	Central Top Panel		1
<b>J</b>	Left Top Panel		1
<b>K</b>	Right Top Panel		1
<b>L</b>	Left and Right Side Panel		2



# Specification

## Item Contents

Part	Part Name	Illustration	Quantity
M	Cam Bolt		22
N	Cam Lock		22
O	Dowel		10
P	Fixing Bolt	6*20mm 	24
Q	Wall Plug		4
R	Plastic Capped Nail		24
S	Shelf Bracket		3
T	Support Screw	3.5*12mm 	12
U	Wall Screw	40*3.5mm 	4
V	Wall Fixing		2

# Specification

## Product Specifics

### **1115mm Cover**

Dimensions: 1115mm W x 815mm H x 190mm D

Weight: 10kg

Material: 12mm MDF

### **1515mm Cover**

Dimensions: 1515mm W x 815mm H x 190mm D

Weight: 12kg

Material: 12mm MDF

### **1720mm Cover**

Dimensions: 1720mm W x 815mm H x 190mm D

Weight: 12.5kg

Material: 12mm MDF

## Monster Guarantee

If you wish to return a product in perfect working order, we provide a 30 day returns policy as long as the item is unopened and in a resalable condition.

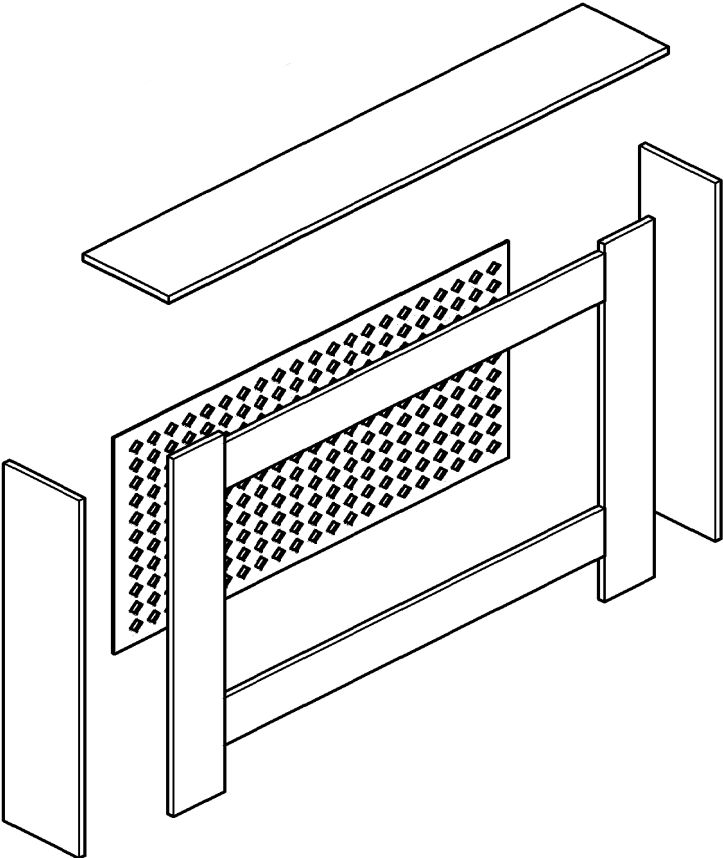
If for any reason a part is missing please get in touch with us within 7 days on receipt of your order. You can contact our friendly and helpful Customer Support Team via email or call. For full terms and conditions contact our Support Department via the details on the Contact Us page.

Monster Group UK Limited's liability will be limited to the commercial value of the product only.

# User Guide

## Assembly Instructions

Assembly of Natural and White 1115mm Radiator Cover:



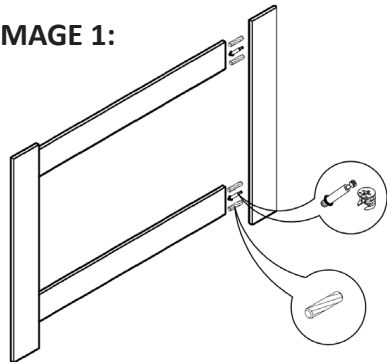
# User Guide

## Assembly Instructions

1) First, attach the Upper Grill Support (D) and Lower Grill Support (E) to the Left Grill Support (B) and Right Grill Support (C). To do this, use 1 x Cam Bolt (I) connecting to 1 x Cam Lock (J) and 2 x Dowels (K) per joint. As with all Cam Bolt and Lock mechanisms, you should lock the Cam Lock into place with a screwdriver once the panels are joined.

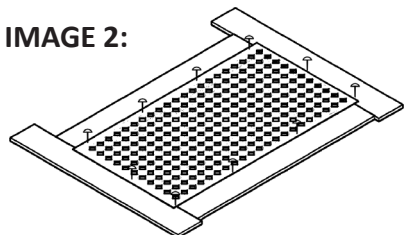
You should use 4 x Cam Bolts (I), 4 x Cam Locks (J), and 8 x Dowels (K) in total on this step. See **Image 1**.

**IMAGE 1:**



2) Now, on the reverse of the structure, place the Grill (A). Ensure no gap is visible and the grill is flush to the grill support structure. Use the Plastic Capped Nails (N) to secure into place. Notice there are 19 x of these. Use as many as needed. It is recommended you use all, spacing appropriately. See **Image 2** to check your progress.

**IMAGE 2:**

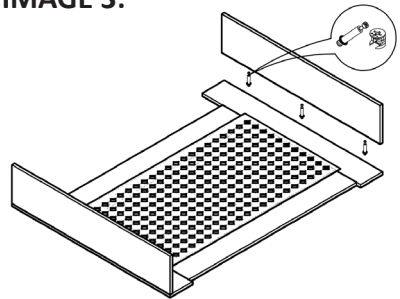


# User Guide

## Assembly Instructions

3) Now connect the **Left Panel (G)**. To do this, align to the grill structure and use **3 x Cam Bolts** and **3 x Cam Locks** to lock into place. Repeat this process to connect the **Right Panel (H)**. Look closely at **Image 3** if you are unsure.

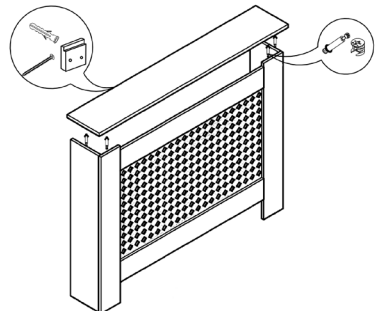
**IMAGE 3:**



4) Attach the **Top Panel (F)** by using **2 x Cam Bolts** and **2 x Cam Locks** per corner. To attach to a wall, first place the Radiator Cover to the desired wall. With a pencil, mark the wall as to where to drill the pilot holes for your **Wall Fixings (O)**. Remove the Radiator Cover and drill 4 x holes into the marked wall. Insert **4 x Wall Plugs (M)** into the holes. Use **4 x Screws (L)** to secure and slot the Radiator Cover into place. Check with **Image 4** on your progress.

Your Radiator Cover should now firmly be in place and perfectly conceals the desired radiator.

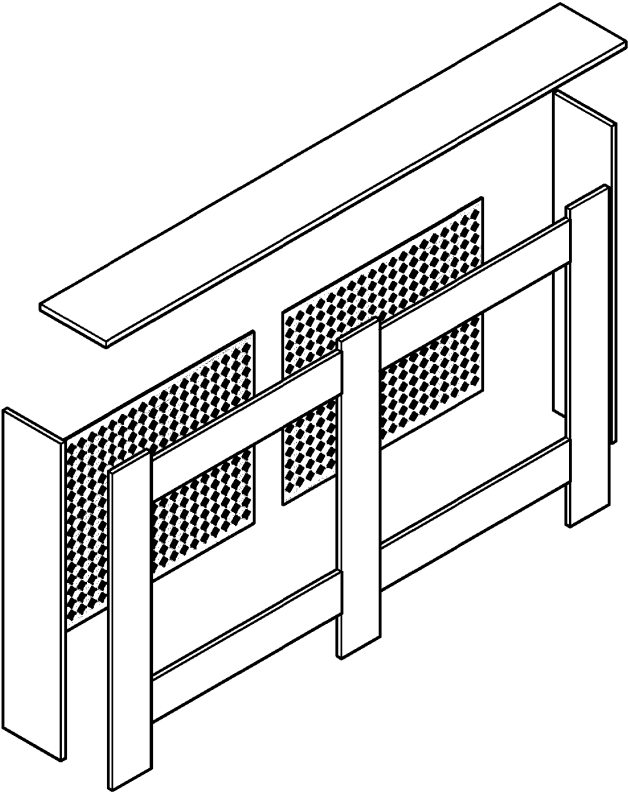
**IMAGE 4:**



# User Guide

## Assembly Instructions

**Assembly of Natural and White 1515mm Radiator Cover  
& Natural and White 1720mm Radiator Cover:**



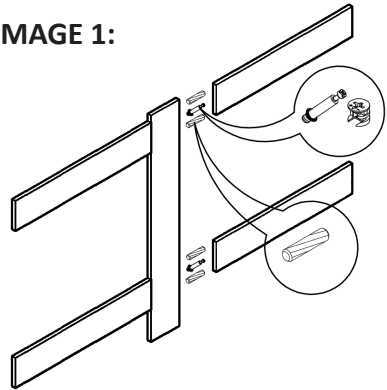
# User Guide

## Assembly Instructions

1) First attach the Upper Grill Supports (E) to the Centre Grill Support (C) using 1 x Cam Bolts (J) and connecting with 1 x Cam Locks (K) per joint. Repeat this process in attaching the Lower Grill Supports (F) to the Centre Grill Support (C).

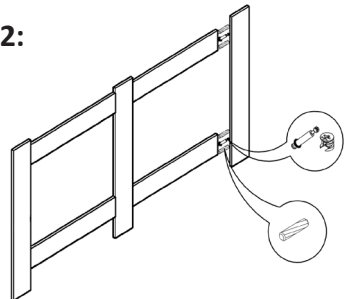
You should use 4 x Cam Bolts (J), 4 x Cam Locks (K), and 8 x Dowels (L) in total for this section. See **Image 1** to check your progress.

**IMAGE 1:**



2) Now connect the Left Grill Support (B) to the structure by using 1 x Cam Bolt (J) connecting to 1 x Cam Lock (K) and 2 x Dowels (L) per joint. Repeat this process to attach the Right Grill Support (D) to the structure. See **Image 2** for clarity.

**IMAGE 2:**

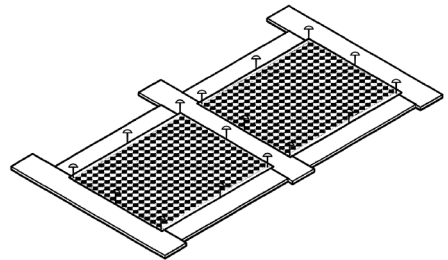


# User Guide

## Assembly Instructions

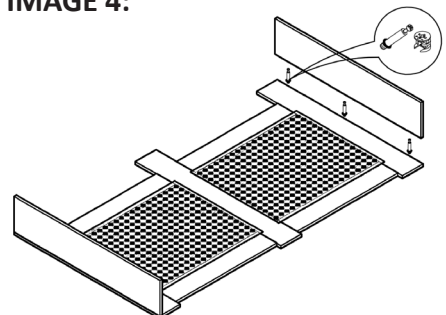
3) Now, on the reverse of the structure, place the Grills (A). Ensure no gap is visible and the grills are flush to the grill support structure. Use the **Plastic Capped Nails (O)** to secure into place. Notice there are **26 x** of these. Use as many as needed. It is recommended you use all, spacing appropriately. See Image 3 to check your progress.

**IMAGE 3:**



4) Attach the **Left Panel (H)** to the Grill structure. To do so, align and use **3 x Cam Bolts (J)** connecting to **3 x Cam Locks (K)**. Repeat this process to attach the **Right Panel (I)**. Look closely at **Image 4** to ensure it is attached correctly.

**IMAGE 4:**



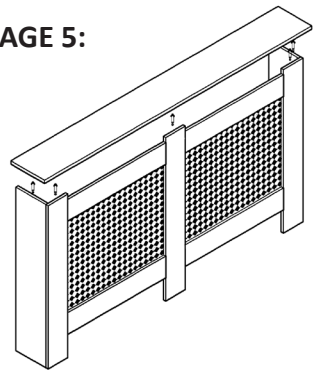


# User Guide

## Assembly Instructions

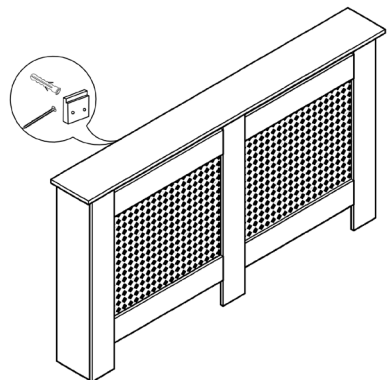
5) Attach the Top Panel (G) by using 5 x Cam Bolts (J) and 5 x Cam Locks (K) to fit firmly into place. See **Image 5**.

**IMAGE 5:**



6) Finally, place the Radiator Cover to the desired wall. With a pencil, mark the wall as to where to drill the pilot holes for your Wall Fixings (P). Note that each Wall Fixing (P) requires 2 x Screws (M). Remove the Radiator Cover and drill 4 x holes into the marked wall. Insert 4 x Wall Plugs (N) into the holes. Use 4 x Screws (M) to secure the Wall Fixings (P) and slot the Radiator Cover into place. Check with **Image 6** on your progress.

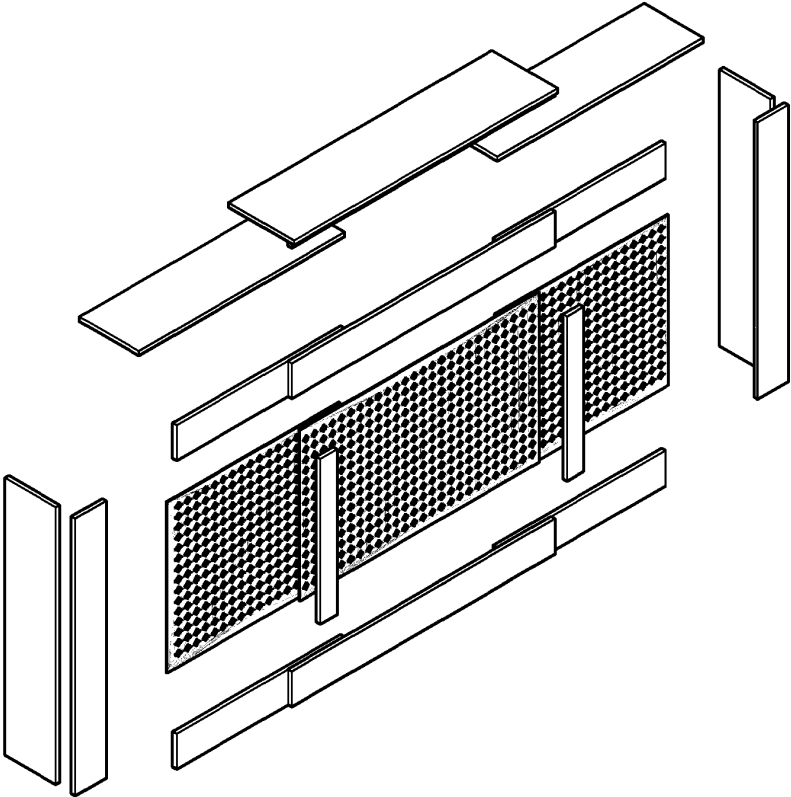
**IMAGE 6:**



# User Guide

## Assembly Instructions

Assembly of Natural and White Adjustable Radiator Cover:

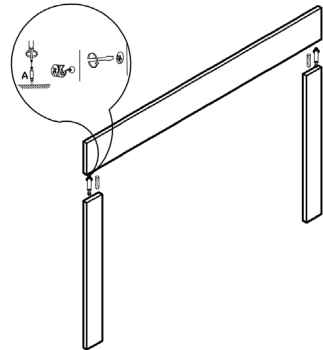


# User Guide

## Assembly Instructions

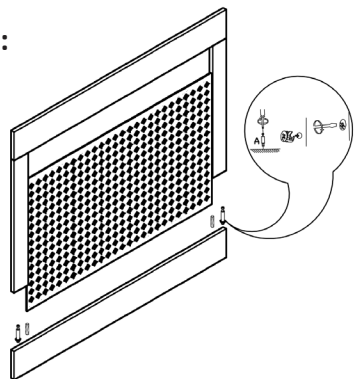
1) Connect the first Centre Grill Support (F) to the Upper Central Grill Support (C) using 1 x Cam Bolt (M), 1 x Cam Lock (N) and 1 x Dowel (O) per joint. Then connect the second Centre Grill Support (F) by the same method. See **Image 1**.

**IMAGE 1:**



2) Slide the Centre Grill (A) into the Centre Grill Supports as shown in **Image 2**. Attach the Lower Central Grill Support (C) by using the same method as explained in Step 1. See **Image 2** to check your progress.

**IMAGE 2:**

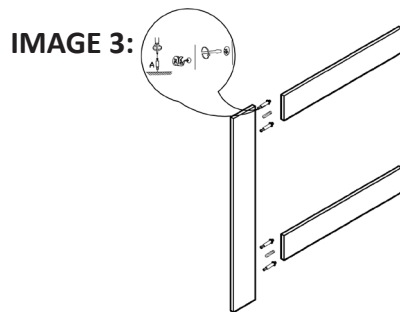


# User Guide

## Assembly Instructions

3) Now connect the Left Upper Grill Support (D) to the Left Panel (G) by using 2 x Cam Bolts (M), 2 x Cam Locks (N) and 1 x Dowel (O) per joint. Repeat this step to attach the Left Lower Grill Support (D) to the Left Panel (G). This is shown in **Image 3**. Repeat this step now, attaching the Right Upper and Lower Grill Supports (E) to the Right Panel (H). See **Image 3**.

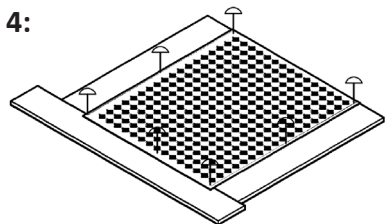
NOTE: In this section, you should have used 8 x Cam Bolts (M), 8 x Cam Locks (N), and 4 x Dowels (O).



4) Align the first Side Grill (B) to the Left Panel (G) and Left Grill Supports (D). Once aligned, use 12 x Plastic Capped Nails to secure, spacing evenly. Repeat this step to attach the second Side Grill (B) to the Right Panel (H) and Right Grill Supports (E). See **Image 4**.

NOTE: You should have used 24 x Plastic Capped Nails (R) in this section.

**IMAGE 4:**



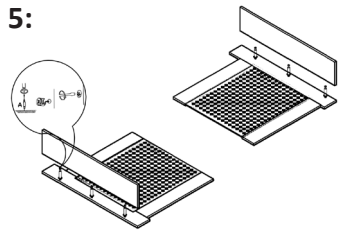
# User Guide

## Assembly Instructions

5) Connect the Left Side Panel (L) to the Left Panel (G) by using 3 x Cam Bolts (M) and 3 x Cam Locks (N). Repeat this step to attach the Right Side Panel (L) to the Right Panel (H). See **Image 5** for clarity here.

NOTE: You should have used 6 x Cam Bolts (M) and 6 x Cam Locks (N) in this section.

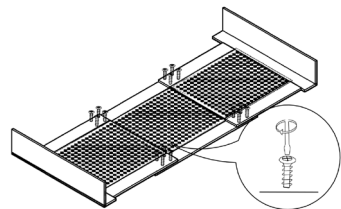
**IMAGE 5:**



6) You can now connect the Side Grills (B) to the Central Grill (A). To do so, align the holes, placing the Side Grills (B) and panels over the Central Grill (A), and use 8 x Fixing Bolts (P) per grill. Check your progress with **Image 6**.

NOTE: You should use 16 x Fixing Bolts (P) in total in this section.

**IMAGE 6:**

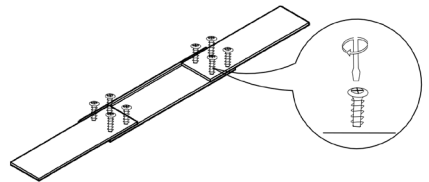


# User Guide

## Assembly Instructions

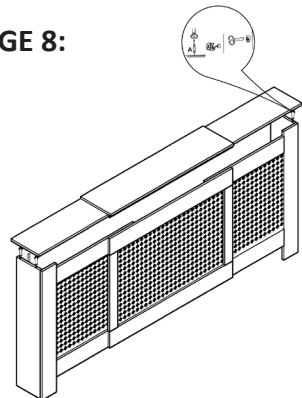
7) Now connect the Top Panels. Place the Centre Top Panel (I) below the Left Top Panel (J) and Right Top Panel (K). Align and use 4 x Fixing Bolts (P) to secure. Again, check with Image 7 your progress.

**IMAGE 7:**



8) Now that the Top Panels are secure, place over the Radiator Cover as in **Image 8** and attach by using 2 x Cam Locks (M), 2 x Cam Locks (N) and 1 x Dowel (O) per side.

**IMAGE 8:**



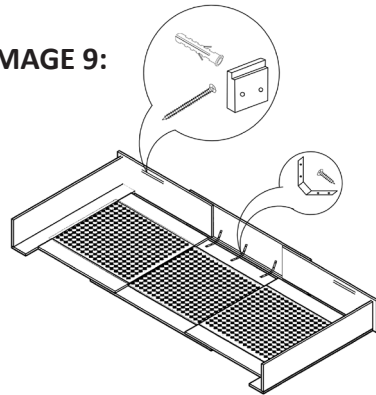
# User Guide

## Assembly Instructions

9) Carefully turn over the Radiator Cover and attach 3 x Shelf Brackets (S) on the inside of the Central Top Shelf (I). Use 4 x Support Screws (T) per bracket, i.e. all 12 x Support Screws (T) should be used in this section.

Then connect the 2 x Wall Fixings (V). Place the Radiator Cover next to the desired wall. Mark with a pencil where to drill the pilot holes. Move back the Radiator Cover, drill the pilot holes, and insert 4 x Wall Plugs (Q) into the wall. Notice that the Wall Fixings (V) should sit in the underneath the Top Panels, as shown in **Image 9**. Fit into place using 4 x Wall Screws (U) into the wall, securing firmly the Radiator Cover for that added support.

**IMAGE 9:**



# Troubleshooting

## Resolution Guide

Please read through the guide below if you have any issues or faults with your device. The information covers and resolves the majority of frequently asked questions.

**Q: There are parts missing from my order.**

**A:** If there appears to be any part missing from your package contact our Customer Support team via the details on the Contact Us page within 7 days of receipt.

**Q: What type of tools do I need to build my radiator cover?**

**A:** You will require a screwdriver and drill for assembly. The drill will only be required to drill small pilot holes in your wall to secure the wall fixings. A small mallet may also be required to knock the parts with dowels into place, though this is dependent upon personal preference.

**Q: The cam locks and bolts will not fit into the holes correctly.**

**A:** There may be some sawdust/debris in the holes, which is normal. This will need to be removed before building recommences. Use gloves to remove any debris, in case wood splinters are present.

For all other issues please contact our Customer Support department via the details on the Contact page.



# Safety Advice

## Safe Working Practice

Please read through the safe working practice to ensure prevention of injury or damage to the device.

Ensure the radiator cover is only used indoors, as water may damage the MDF cover.

There may be debris and/or sawdust in the pre-drilled holes. Remove this before commencing with assembly. Use gloves to remove it.

Make sure each component is properly and securely locked before continuing with the assembly process.

Use appropriate cleaning products to clean the radiator cover.

Use eye protection when using tools such as a drill.

Ensure loose clothing and hair is tucked away when using a drill.

Do not assemble the Radiator Cover if it is damaged and/or broken.



# Contact Us

## Sales Department

For information regarding this device or other products from our Monster divisions please use the following details below.

Tel: 01347 878888

Email: [hello@monstershop.co.uk](mailto:hello@monstershop.co.uk)

## Support Department

For queries about this device, warranty, returns or reporting faults please use the following details below.

Tel: 01347 878887

Email: [help@monstershop.co.uk](mailto:help@monstershop.co.uk)

## Website

To view our product range and fantastic offers in the Monster Chef division please visit our website

[www.monstershop.co.uk](http://www.monstershop.co.uk)

## Address

To visit our office Monster House and view our products, send postal correspondence or return items our address is provided below.

Monster House, Alan Farnaby Way, Sheriff Hutton  
Industrial Estate, Sheriff Hutton, York YO60 6PG



---

Monster Group (UK) is one of the UK's fastest growing online retailers. We supply a diverse range of products which offer exceptional value for money. We strive to provide the best possible customer experience with free UK delivery across all our products and a Monster Guarantee for 100% satisfaction.

Our dedicated customer service team will be more than happy to help with any questions you may have.

Home & Garden  
Storage Shelving  
Sign & Digital  
Retail & Hospitality  
Commercial Equipment

**Check out all our Monster brands at [www.monstershop.co.uk](http://www.monstershop.co.uk)**

---