



# Stainless Steel Shelf



Try **Monster** - Buy **Monster** - Be **Monster**

# Specification

## Product Description

Our Stainless Steel shelves are perfect for commercial, high use areas, as well as a welcome addition to any home. The shelves are practical and easy to clean as well as assemble!

The shelves come in the following sizes:

900x300mm

1000x300mm

1250x300mm

1400x300mm

1500x300mm

1940x300mm

We would recommend a two person assembly, using ladders if placing the shelf above shoulder height.

## Item Contents

### **900/1000/1250/1400/1500mm Shelf:**

1 x Steel Shelf

2 x Bracket

5 x Bracket Bolts, with nuts

7 x Fixing Screws

2 x Microfibre Cloth

### **1940mm Shelf:**

1 x Steel Shelf

3 x Bracket

5 x Bracket Bolts, with nuts

9 x Fixing Screws

2 x Microfibre Cloth

# Specification

## Product Specifics

### **900mm Shelf:**

Dimensions: 900mm W x 300mm D

Weight: 7 KG

### **1000mm Shelf:**

Dimensions: 1000mm W x 300mm D

Weight: 7.7 KG

### **1250mm Shelf:**

Dimensions: 1250mm W x 300mm D

Weight: 9.2 KG

### **1400mm Shelf:**

Dimensions: 1400mm W X 300mm D

Weight: 10.2 KG

### **1500mm Shelf:**

Dimensions: 1500mm W x 300mm D

Weight: 10.8 KG

### **1940mm Shelf:**

Dimensions: 1940mm W x 300mm D

Weight: 14.3 KG

## Monster Guarantee

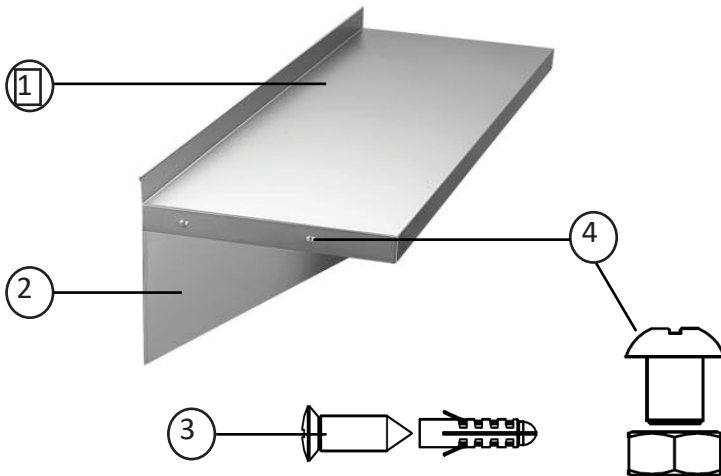
If you wish to return a product in perfect working order, we provide a 14 day returns policy as long as the item is unopened and in a resalable condition.

If for any reason the product has arrived damaged or with missing pieces then contact our Customer Support team via the details provided on the Contact page.

# User Guide

## Product Features

- 1) Stainless Steel Shelf
- 2) Stainless Steel Bracket
- 3) Fixing Screw
- 4) Bracket Screw



# User Guide

## Assembly Instructions

### Step 1: Mounting the wall bracket

- 1) Find the ideal location for your shelf.
- 2) Measure the correct distance between the brackets and mark this on the wall. The brackets should be positioned at each end of the shelf.

If a third bracket is provided, this should be positioned in the middle of the other two brackets.

- 3) Put the short edge of each bracket against the wall and mark the position of the holes. You should also mark the position of the 3 holes on the back of your shelf, either by putting the shelf against the wall or measuring the appropriate distances.

### Top Tip: Use a Spirit Level to make sure it is straight.

- 4) Drill a 10mm hole where you have marked on the wall. A plug appropriate for the wall material should be placed into the holes now.
- 5) Attach the brackets to the wall using the Fixing Screws.

### Step 2: Placing the shelf

- 7) With the help of a friend, lift the shelf onto the brackets.
- 8) Secure the shelf in place using the bolts provided. At either end of the shelf, there will be two holes in which to place the screws. Loosely screw the nuts onto the screws. Hold the nuts in place and tighten the bolts with a screwdriver.
- 9) Secure the shelf to the wall using the remaining Fixing Screws.
- 10) Make sure everything is secure and you're good to go!

# Troubleshooting

## Resolution Guide

Please read through the guide below if you have any issues or faults with your product. The information covers and resolves the majority of frequently asked questions.

**Q: There are parts missing from my order.**

A: If a part is missing please get in touch with us within 7 days on receipt of your order. You can call or email our friendly and helpful Customer Support Team. Please see the details on the Contact Us page.

**Q: What kind of tools should I use to assemble the shelf?**

A: A screwdriver will be required to tighten your screws and bolts. A drill will be required to create pilot holes into your wall.

**Q: How do I maintain the Stainless Steel?**

A: The amount of cleaning the shelving will need depends on the location and application. A mild detergent cleaner will remove anything that may affect the durability and/or appearance of the stainless steel. Otherwise, the provided microfibre clothes should be sufficient for removing fingerprints or smudges.

**Q: Why is my shelf warping?**

A: The shelf may be loaded with weight greater than its holding capacity. Remove some of the items to prevent further damage.

# Safety Advice

## Safe Working Practice

Please read through the safe working practice section to ensure prevention of injury or damage to you or the product.

Do not assemble the shelf if it is damaged and/or broken.

Only place in a suitable area/space.

Use eye protection when using tools such as the drill.

Ensure loose clothing and hair is tucked away when using a drill.

Make sure the wall fittings are secure before continuing with assembly.

Use a ladder when installing the shelf if it is above shoulder height.

Do not overload the shelf.



# Contact Us

## Sales Department

For information regarding this device or other products from our Monster divisions please use the following details below.

Tel: 01347 878888

Email: [hello@monstershop.co.uk](mailto:hello@monstershop.co.uk)

## Support Department

For queries about this device, warranty, returns or reporting faults please use the following details below.

Tel: 01347 878887

Email: [help@monstershop.co.uk](mailto:help@monstershop.co.uk)

## Website

To view our product range and fantastic offers in the Monster divisions please visit our website

[www.monstershop.co.uk](http://www.monstershop.co.uk)

## Address

To visit our office Monster House and view our products, send postal correspondence or return items our address is provided below.

Monster House, Alan Farnaby Way, Sheriff Hutton  
Industrial Estate, Sheriff Hutton, York YO60 6PG





---

Monster Group (UK) is one of the UK's fastest growing online retailers. We supply a diverse range of products which offer exceptional value for money. We strive to provide the best possible customer experience with free UK delivery across all our products and a Monster Guarantee for 100% satisfaction.

Our dedicated customer service team will be more than happy to help with any questions you may have.

Home & Garden  
Storage Shelving  
Sign & Digital  
Retail & Hospitality  
Commercial Equipment

**Check out all our Monster brands at [www.monstershop.co.uk](http://www.monstershop.co.uk)**

---