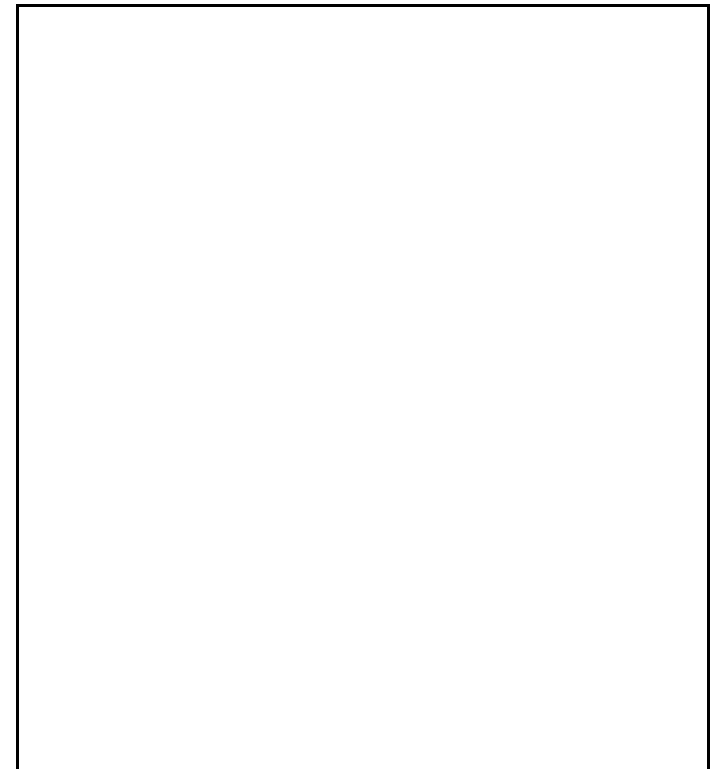
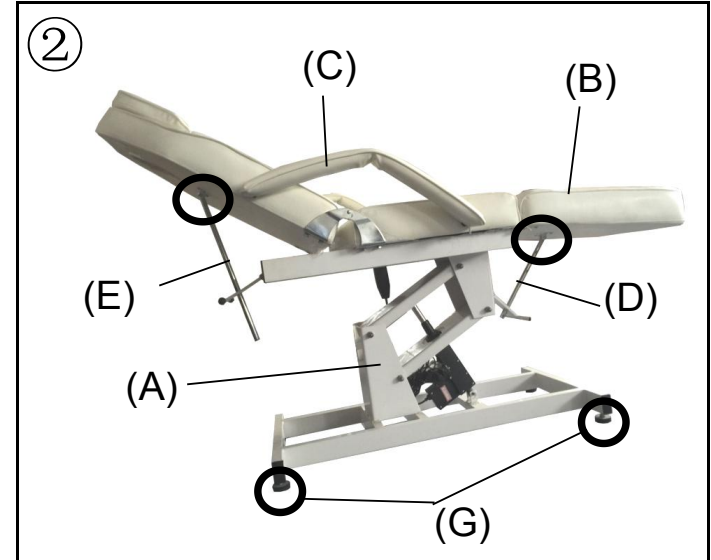
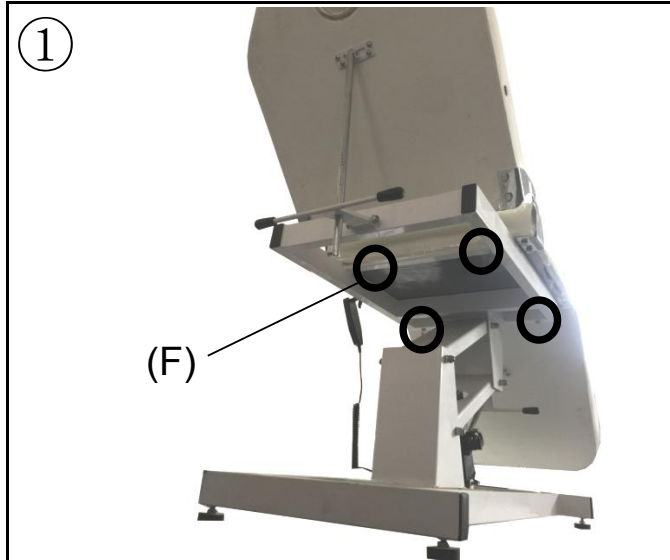


INSTALLATION INSTRUCTION



Firstly assemble all screws, then tighten one by one!!