



OPERATOR'S MANUAL

Metal Working



ENGLISH WHEEL, VISE MOUNT MODEL: EW-15

Baileigh Industrial, Inc.
P.O. Box 531
Manitowoc, WI 54221-0531
Phone: 920.684.4990
Fax: 920.684.3944
sales@baileigh.com

REPRODUCTION OF THIS MANUAL IN ANY FORM WITHOUT WRITTEN APPROVAL OF BAILEIGH INDUSTRIAL, INC. IS PROHIBITED. Baileigh Industrial, Inc. does not assume and hereby disclaims any liability for any damage or loss caused by an omission or error in this Operator's Manual, resulting from accident, negligence, or other occurrence.

Rev. 04/2018

© 2018 Baileigh Industrial, Inc.



Table of Contents

THANK YOU & WARRANTY	1
INTRODUCTION.....	3
GENERAL NOTES.....	3
SAFETY INSTRUCTIONS	4
SAFETY PRECAUTIONS	6
Dear Valued Customer:.....	6
TECHNICAL SPECIFICATIONS.....	8
TECHNICAL SUPPORT	8
UNPACKING AND CHECKING CONTENTS.....	9
Cleaning	9
INSTALLATION.....	10
GETTING TO KNOW YOUR MACHINE	11
ASSEMBLY.....	12
OPERATION.....	13
ROLLING TIPS	14
Selecting Lower Wheels	17
MATERIAL SELECTION.....	17
LUBRICATION AND MAINTENANCE	18
PARTS DIAGRAM	19
Parts List	20



THANK YOU & WARRANTY

Thank you for your purchase of a machine from Baileigh Industrial. We hope that you find it productive and useful to you for a long time to come.

Inspection & Acceptance. Buyer shall inspect all Goods within ten (10) days after receipt thereof. Buyer's payment shall constitute final acceptance of the Goods and shall act as a waiver of the Buyer's rights to inspect or reject the goods unless otherwise agreed. If Buyer rejects any merchandise, Buyer must first obtain a Returned Goods Authorization ("RGA") number before returning any goods to Seller. Goods returned without a RGA will be refused. Seller will not be responsible for any freight costs, damages to goods, or any other costs or liabilities pertaining to goods returned without a RGA. Seller shall have the right to substitute a conforming tender. Buyer will be responsible for all freight costs to and from Buyer and repackaging costs, if any, if Buyer refuses to accept shipment. If Goods are returned in unsalable condition, Buyer shall be responsible for full value of the Goods. Buyer may not return any special-order Goods. Any Goods returned hereunder shall be subject to a restocking fee equal to 30% of the invoice price.

Specifications. Seller may, at its option, make changes in the designs, specifications or components of the Goods to improve the safety of such Goods, or if in Seller's judgment, such changes will be beneficial to their operation or use. Buyer may not make any changes in the specifications for the Goods unless Seller approves of such changes in writing, in which event Seller may impose additional charges to implement such changes.

Limited Warranty. Seller warrants to the original end-user that the Goods manufactured or provided by Seller under this Agreement shall be free of defects in material or workmanship for a period of twelve (12) months from the date of purchase, provided that the Goods are installed, used, and maintained in accordance with any instruction manual or technical guidelines provided by the Seller or supplied with the Goods, if applicable. The original end-user must give written notice to Seller of any suspected defect in the Goods prior to the expiration of the warranty period. The original end-user must also obtain a RGA from Seller prior to returning any Goods to Seller for warranty service under this paragraph. Seller will not accept any responsibility for Goods returned without a RGA. The original end-user shall be responsible for all costs and expenses associated with returning the Goods to Seller for warranty service. In the event of a defect, Seller, at its sole option, shall repair or replace the defective Goods or refund to the original end-user the purchase price for such defective Goods. Goods are not eligible for replacement or return after a period of 30 days from date of receipt. The foregoing warranty is Seller's sole obligation, and the original end-user's exclusive remedy, with regard to any defective Goods. This limited warranty does not apply to: (a) die sets, tooling, and saw blades; (b) periodic or routine maintenance and setup, (c) repair or replacement of the Goods due to normal wear and tear, (d) defects or damage to the Goods resulting from misuse, abuse, neglect, or accidents, (e) defects or damage to the Goods resulting from improper or unauthorized alterations, modifications, or changes; and (f) any Goods that has not been installed and/or maintained in accordance with the instruction manual or technical guidelines provided by Seller.

EXCLUSION OF OTHER WARRANTIES. THE FOREGOING LIMITED WARRANTY IS IN LIEU OF ALL OTHER WARRANTIES, EXPRESS OR IMPLIED. ANY AND ALL OTHER EXPRESS, STATUTORY OR IMPLIED WARRANTIES, INCLUDING BUT NOT LIMITED TO, ANY WARRANTY OF MERCHANTABILITY OR FITNESS FOR ANY PARTICULAR PURPOSE ARE EXPRESSLY DISCLAIMED. NO WARRANTY IS MADE WHICH EXTENDS BEYOND THAT WHICH IS EXPRESSLY CONTAINED HEREIN.

Limitation of Liability. IN NO EVENT SHALL SELLER BE LIABLE TO BUYER OR ANY OTHER PARTY FOR ANY INCIDENTAL, CONSEQUENTIAL OR SPECIAL DAMAGES (INCLUDING, WITHOUT LIMITATION, LOST PROFITS OR DOWN TIME) ARISING FROM OR IN MANNER CONNECTED WITH THE GOODS, ANY BREACH BY SELLER OR ITS AGENTS OF THIS AGREEMENT, OR ANY OTHER CAUSE WHATSOEVER, WHETHER BASED ON CONTRACT, TORT OR ANY OTHER THEORY OF LIABILITY. BUYER'S REMEDY WITH RESPECT TO ANY CLAIM ARISING UNDER THIS AGREEMENT IS STRICTLY LIMITED TO NO MORE THAN THE AMOUNT PAID BY THE BUYER FOR THE GOODS.



Force Majeure. Seller shall not be responsible for any delay in the delivery of, or failure to deliver, Goods due to causes beyond Seller's reasonable control including, without limitation, acts of God, acts of war or terrorism, enemy actions, hostilities, strikes, labor difficulties, embargoes, non-delivery or late delivery of materials, parts and equipment or transportation delays not caused by the fault of Seller, delays caused by civil authorities, governmental regulations or orders, fire, lightening, natural disasters or any other cause beyond Seller's reasonable control. In the event of any such delay, performance will be postponed by such length of time as may be reasonably necessary to compensate for the delay.

Installation. If Buyer purchases any Goods that require installation, Buyer shall, at its expense, make all arrangements and connections necessary to install and operate the Goods. Buyer shall install the Goods in accordance with any Seller instructions and shall indemnify Seller against any and all damages, demands, suits, causes of action, claims and expenses (including actual attorneys' fees and costs) arising directly or indirectly out of Buyer's failure to properly install the Goods.

Work By Others; Safety Devices. Unless agreed to in writing by Seller, Seller has no responsibility for labor or work performed by Buyer or others, of any nature, relating to design, manufacture, fabrication, use, installation or provision of Goods. Buyer is solely responsible for furnishing, and requiring its employees and customers to use all safety devices, guards and safe operating procedures required by law and/or as set forth in manuals and instruction sheets furnished by Seller. Buyer is responsible for consulting all operator manuals, ANSI or comparable safety standards, OSHA regulations and other sources of safety standards and regulations applicable to the use and operation of the Goods.

Remedies. Each of the rights and remedies of Seller under this Agreement is cumulative and in addition to any other or further remedies provided under this Agreement or at law or equity.

Attorney's Fees. In the event legal action is necessary to recover monies due from Buyer or to enforce any provision of this Agreement, Buyer shall be liable to Seller for all costs and expenses associated therewith, including Seller's actual attorney fees and costs.

Governing Law/Venue. This Agreement shall be construed and governed under the laws of the State of Wisconsin, without application of conflict of law principles. Each party agrees that all actions or proceedings arising out of or in connection with this Agreement shall be commenced, tried, and litigated only in the state courts sitting in Manitowoc County, Wisconsin or the U.S. Federal Court for the Eastern District of Wisconsin. Each party waives any right it may have to assert the doctrine of "forum non conveniens" or to object to venue to the extent that any proceeding is brought in accordance with this section. Each party consents to and waives any objection to the exercise of personal jurisdiction over it by courts described in this section. Each party waives to the fullest extent permitted by applicable law the right to a trial by jury.

Summary of Return Policy.

- 10 Day acceptance period from date of delivery. Damage claims and order discrepancies will not be accepted after this time.
- You must obtain a Baileigh issued RGA number PRIOR to returning any materials.
- Returned materials must be received at Baileigh in new condition and in original packaging.
- Altered items are not eligible for return.
- Buyer is responsible for all shipping charges.
- A 30% re-stocking fee applies to all returns.

Baileigh Industrial makes every effort to ensure that our posted specifications, images, pricing and product availability are as correct and timely as possible. We apologize for any discrepancies that may occur. Baileigh Industrial reserves the right to make any and all changes deemed necessary in the course of business including but not limited to pricing, product specifications, quantities, and product availability.

For Customer Service & Technical Support:

Please contact one of our knowledgeable Sales and Service team members at:
(920) 684-4990 or e-mail us at sales@baileigh.com



INTRODUCTION

The quality and reliability of the components assembled on a Baileigh Industrial machine guarantee near perfect functioning, free from problems, even under the most demanding working conditions. However, if a situation arises, refer to the manual first. If a solution cannot be found, contact the distributor where you purchased our product. Make sure you have the serial number and production year of the machine (stamped on the nameplate). For replacement parts refer to the assembly numbers on the parts list drawings.

Our technical staff will do their best to help you get your machine back in working order.

In this manual you will find: (when applicable)

- Safety procedures
- Correct installation guidelines
- Description of the functional parts of the machine
- Capacity charts
- Setup and start-up instructions
- Machine operation
- Scheduled maintenance
- Parts lists

GENERAL NOTES

After receiving your equipment remove the protective container. Do a complete visual inspection, and if damage is noted, **photograph it for insurance claims** and contact your carrier at once, requesting inspection. Also contact Baileigh Industrial and inform them of the unexpected occurrence. Temporarily suspend installation.

Take necessary precautions while loading / unloading or moving the machine to avoid any injuries.

Your machine is designed and manufactured to work smoothly and efficiently. Following proper maintenance instructions will help ensure this. Try and use original spare parts, whenever possible, and most importantly; **DO NOT** overload the machine or make any modifications.



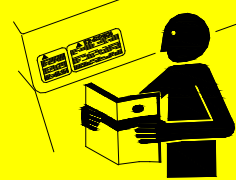
Note: *This symbol refers to useful information throughout the manual.*



IMPORTANT

PLEASE READ THIS OPERATORS MANUAL CAREFULLY

It contains important safety information, instructions, and necessary operating procedures. The continual observance of these procedures will help increase your production and extend the life of the equipment.



SAFETY INSTRUCTIONS

LEARN TO RECOGNIZE SAFETY INFORMATION

This is the safety alert symbol. When you see this symbol on your machine or in this manual, **BE ALERT TO THE POTENTIAL FOR PERSONAL INJURY!**



Follow recommended precautions and safe operating practices.

UNDERSTAND SIGNAL WORDS

A signal word – **DANGER**, **WARNING**, or **CAUTION** – is used with the safety alert symbol. **NOTICE**, which is not related to personal injury, is used without a symbol.

DANGER: Indicates a hazardous situation which, if not avoided, will result in death or serious injury.

WARNING: Indicates a hazardous situation which, if not avoided, could result in death or serious injury.

CAUTION: Indicates a hazardous situation which, if not avoided, could result in minor or moderate injury.

NOTICE: Indicates a situation which, if not avoided, could result in property damage.

DANGER

WARNING

CAUTION

NOTICE

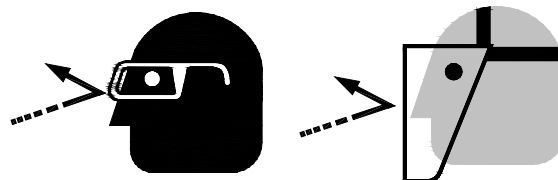


SAVE THESE INSTRUCTIONS.
Refer to them often and use them to instruct others.



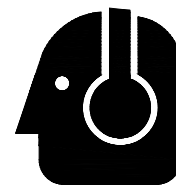
PROTECT EYES

Wear safety glasses or suitable eye protection when working on or around machinery.



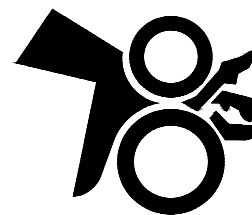
PROTECT AGAINST NOISE

Prolonged exposure to loud noise can cause impairment or loss of hearing. Wear suitable hearing protective devices such as ear muffs or earplugs to protect against objectionable or uncomfortable loud noises.



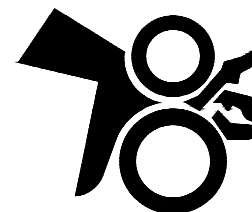
BEWARE OF CRUSH HAZARD

NEVER place your hands, fingers, or any part of your body in the die area of this machine.



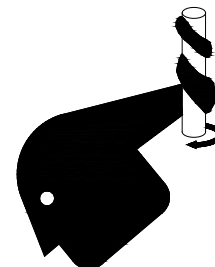
BEWARE OF PINCH POINTS

Keep hands and fingers away from the rolls when the machine is in operation.



ENTANGLEMENT HAZARD – ROTATING SPINDLE

Contain long hair, **DO NOT** wear jewelry or loose fitting clothing.





SAFETY PRECAUTIONS



Metal working can be dangerous if safe and proper operating procedures are not followed. As with all machinery, there are certain hazards involved with the operation of the product. Using the machine with respect and caution will considerably lessen the possibility of personal injury. However, if normal safety precautions are overlooked or ignored, personal injury to the operator may result.

Safety equipment such as guards, hold-downs, safety glasses, dust masks and hearing protection can reduce your potential for injury. But even the best guard won't make up for poor judgment, carelessness or inattention. **Always use common sense** and exercise **caution** in the workshop. If a procedure feels dangerous, don't try it.

REMEMBER: Your personal safety is your responsibility.



WARNING: FAILURE TO FOLLOW THESE RULES MAY RESULT IN SERIOUS PERSONAL INJURY

Dear Valued Customer:

- All Baileigh machines should be used only for their intended use.
- Baileigh does not recommend or endorse making any modifications or alterations to a Baileigh machine. Modifications or alterations to a machine may pose a substantial risk of injury to the operator or others and may do substantial damage to the machine.
- Any modifications or alterations to a Baileigh machine will invalidate the machine's warranty.

PLEASE ENJOY YOUR BAILEIGH MACHINE!PLEASE ENJOY IT SAFELY!

1. **FOR YOUR OWN SAFETY, READ INSTRUCTION MANUAL BEFORE OPERATING THE MACHINE.** Learn the machine's application and limitations as well as the specific hazards.
2. **Only trained and qualified personnel can operate this machine.**
3. **Make sure guards are in place and in proper working order before operating machinery.**
4. **Remove any adjusting tools.** Before operating the machine, make sure any adjusting tools have been removed.
5. **Keep work area clean.** Cluttered areas invite injuries.
6. **Overloading machine.** By overloading the machine, you may cause injury from flying parts. **DO NOT** exceed the specified machine capacities.



7. **Dressing material edges.** Always chamfer and deburr all sharp edges.
8. **Do not force tool.** Your machine will do a better and safer job if used as intended. **DO NOT** use inappropriate attachments in an attempt to exceed the machines rated capacity.
9. **Use the right tool for the job. DO NOT** attempt to force a small tool or attachment to do the work of a large industrial tool. **DO NOT** use a tool for a purpose for which it was not intended.
10. **Dress appropriate. DO NOT** wear loose fitting clothing or jewelry as they can be caught in moving machine parts. Protective clothing and steel toe shoes are recommended when using machinery. Wear a restrictive hair covering to contain long hair.
11. **Use eye and ear protection.** Always wear ISO approved impact safety goggles. Wear a full-face shield if you are producing metal filings.
12. **Do not overreach.** Maintain proper footing and balance at all times. **DO NOT** reach over or across a running machine.
13. **Stay alert.** Watch what you are doing and use common sense. **DO NOT** operate any tool or machine when you are tired.
14. **Check for damaged parts.** Before using any tool or machine, carefully check any part that appears damaged. Check for alignment and binding of moving parts that may affect proper machine operation.
15. **Observe work area conditions. DO NOT** use machines or power tools in damp or wet locations. Do not expose to rain. Keep work area well lighted.
16. **Keep children away.** Children must never be allowed in the work area. **DO NOT** let them handle machines, tools, or extension cords.
17. **Store idle equipment.** When not in use, tools must be stored in a dry location to inhibit rust. Always lock up tools and keep them out of reach of children.
18. **DO NOT operate machine if under the influence of alcohol or drugs.** Read warning labels on prescriptions. If there is any doubt, **DO NOT** operate the machine.
19. Keep visitors a safe distance from the work area.



TECHNICAL SPECIFICATIONS

Mild Steel Capacity*	16ga., 0.0598" (1.519mm)
Aluminum, Copper Capacity (Soft)	10ga., 0.1019" (2.588mm)
Throat Depth	15.375" (390mm)
Top Wheel Dimensions	5.875" x 1.5" (149 x 38.1mm)
Lower Die Edge Radius	Flat, .5", 1", 1.5", 2.5", 5", and 9" (Flat, 12.7, 25.4, 38.1, 63.5, 127, and 228.6mm)
Power	Manual
Shipping Dimensions	21" x 25" x 2" (534 x 635 x 51mm)
Shipping Weight	31lbs. (14kg)
Based on a material tensile strength of *60000 PSI – mild steel	

TECHNICAL SUPPORT

Our technical support department can be reached at 920.684.4990, and asking for the support desk for purchased machines. Tech Support handles questions on machine setup, schematics, warranty issues, and individual parts needs: (other than die sets and blades).

For specific application needs or future machine purchases contact the Sales Department at: sales@baileigh.com, Phone: 920.684.4990, or Fax: 920.684.3944.



Note: *The photos and illustrations used in this manual are representative only and may not depict the actual color, labeling or accessories and may be intended to illustrate technique only.*



Note: *The specifications and dimensions presented here are subject to change without prior notice due to improvements of our products.*



UNPACKING AND CHECKING CONTENTS

Your Baileigh machine is shipped complete. Separate all parts from the packing material and check each item carefully. Make certain all items are accounted for before discarding any packing material.

⚠ WARNING: SUFFOCATION HAZARD! Immediately discard any plastic bags and packing materials to eliminate choking and suffocation hazards to children and animals.
If any parts are missing, **DO NOT** place the machine into service until the missing parts are obtained and installed correctly.

Cleaning

⚠ WARNING: DO NOT USE gasoline or other petroleum products to clean the machine. They have low flash points and can explode or cause fire.

⚠ CAUTION: When using cleaning solvents work in a well-ventilated area. Many cleaning solvents are toxic if inhaled.

Your machine may be shipped with a rustproof waxy coating and/or grease on the exposed unpainted metal surfaces. Fully and completely remove this protective coating using a degreaser or solvent cleaner. Moving items will need to be moved along their travel path to allow for cleaning the entire surface. For a more thorough cleaning, some parts will occasionally have to be removed. **DO NOT USE** acetone or brake cleaner as they may damage painted surfaces.

Follow manufacturer's label instructions when using any type of cleaning product. After cleaning, wipe unpainted metal surfaces with a light coating of quality oil or grease for protection.



Important: This waxy coating is **NOT** a lubricant and will cause the machine to stick and lose performance as the coating continues to dry.





INSTALLATION

NOTICE: Consider the following when looking for a suitable location to place the machine:

- Overall weight of the machine.
- Weight of material being processed.
- Sizes of material to be processed through the machine.
- Space needed for auxiliary stands, work tables, or other machinery.
- Clearance from walls and other obstacles.
- Maintain an adequate working area around the machine for safety.
- Have the work area well illuminated with proper lighting.
- Keep the floor free of oil and make sure it is not slippery.
- Remove scrap and waste materials regularly, and make sure the work area is free from obstructing objects.
- If long lengths of material are to be fed into the machine, make sure that they will not extend into any aisles.
- **LEVELING:** The machine should be sited on a level, concrete floor. Provisions for securing it should be in position prior to placing the machine. The accuracy of any machine depends on the precise placement of it to the mounting surface.
- **FLOOR:** This tool distributes a large amount of weight over a small area. Make certain that the floor is capable of supporting the weight of the machine, work stock, and the operator. The floor should also be a level surface. If the unit wobbles or rocks once in place, be sure to eliminate by using shims.
- **WORKING CLEARANCES:** Take into consideration the size of the material to be processed. Make sure that you allow enough space for you to operate the machine freely.

NOTICE: This machine is intended to be clamped to a vise which is in turn mounted to sturdy work bench.

When mount the vise on a workbench be aware of the following:

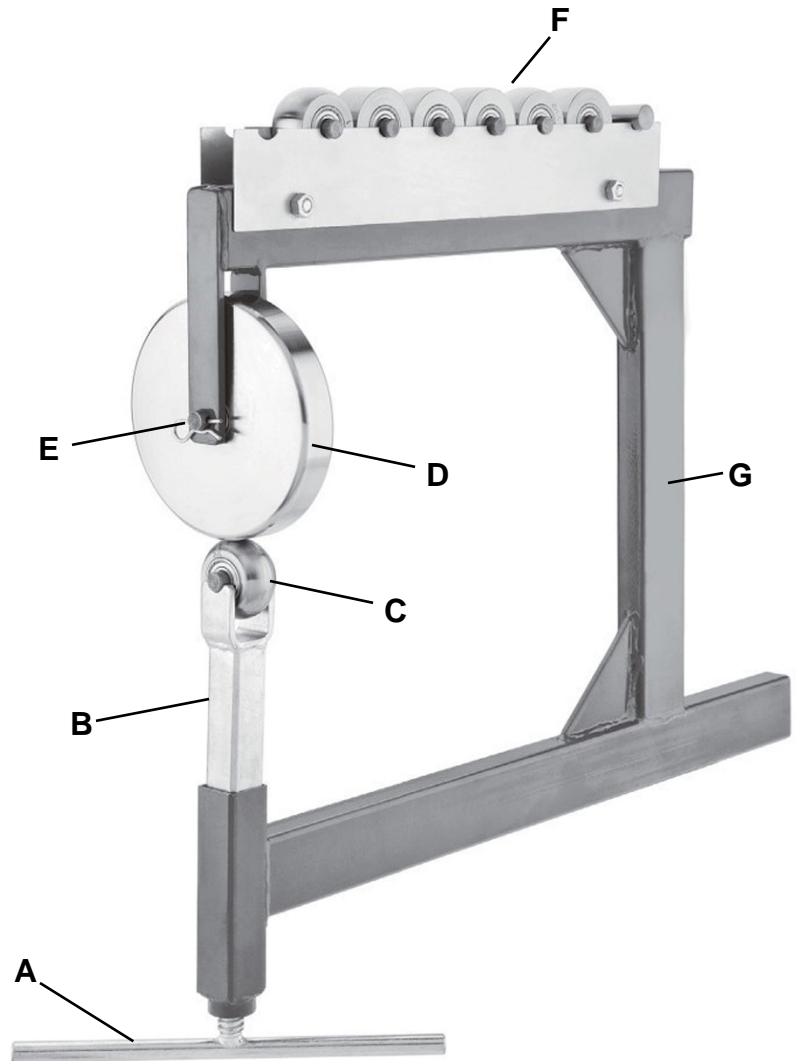
- Overall weight of the vise.
- Weight of any machines, tools and material being processed.
- Make sure the workbench is properly reinforced to support the weight.
- The strongest mounting option is where the holes are drilled all the way through the workbench and the vise is secured with bolts, washers, and nuts.



GETTING TO KNOW YOUR MACHINE

The English wheel stretches metal workpieces thinner and longer as they are rolled between the upper wheel and lower wheel. Simultaneously, a track is pressed into the metal, creating a convex curve in the workpiece. By varying the amount and pattern of the tracks, a wide variety of contours can be produced.

The English wheel can be used to produce curves in mild steel up to 16ga., 0.0598" (1.519mm) and aluminum up to 10ga., 0.1019" (2.588mm).

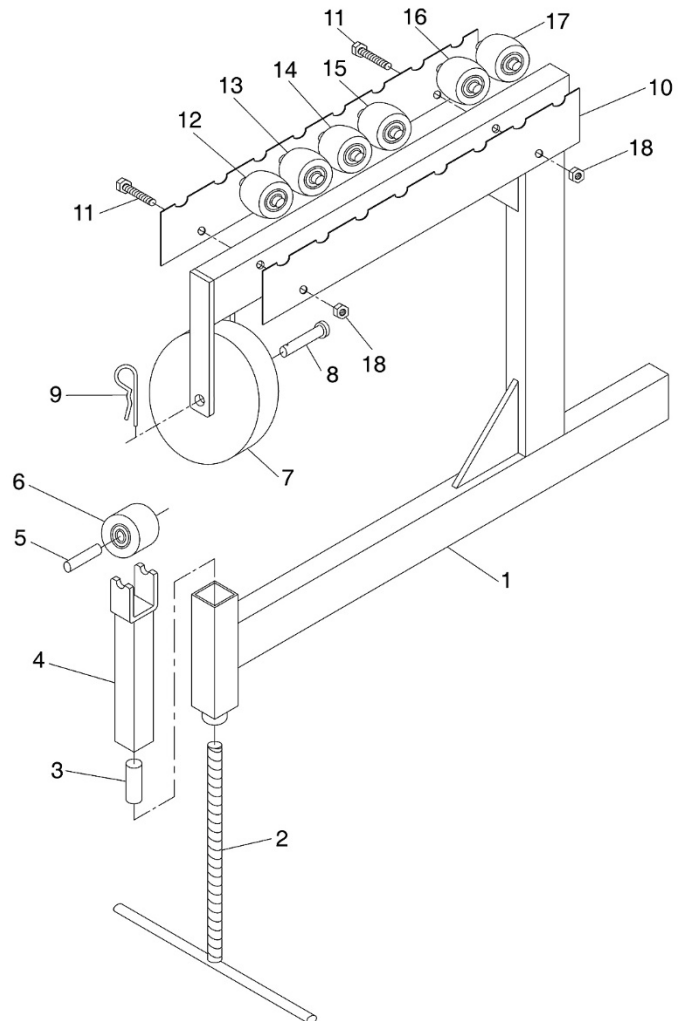
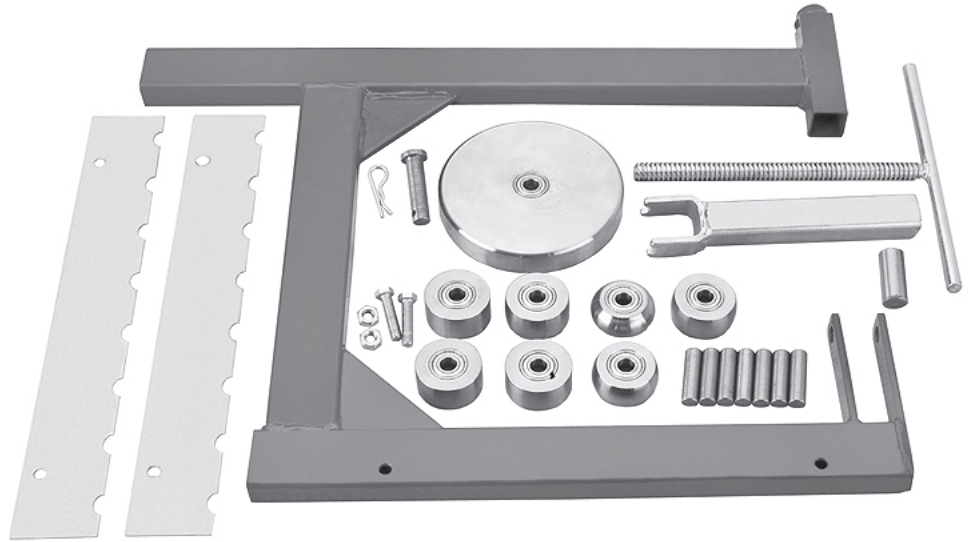


Item	Description	Item	Description
A	Height Adjustment Handle (Kick Wheel)	E	Upper Wheel Mounting Pin
B	Lower Wheel Bracket	F	Lower Wheel Storage Bracket
C	Lower Wheel	G	Frame Weldment
D	Upper Wheel		



ASSEMBLY

1. Lay the frame flat on a work bench.
2. Install the spacer rod #3 into the lower wheel bracket #4.
3. Insert the lower bracket and spacer into the frame so that the lower wheel will sit at a right angle to the frame.
4. Thread the height adjustment handle #2 into the bottom of the lower wheel support.
5. Thread the handle at least 1 inch into the lower support nut.
6. Clamp the frame assembly upright into a suitable and securely mounted vise.
7. Install the two lower wheel storage rack panels #10 to the top of the frame.
8. Install the lower wheel axle rods #5 into the lower wheels (#6, 12, 13, 14, 15, 16, and 17) and place them in the storage rack.
9. Install the upper wheel #7 into the upper forks and secure in place with the mounting pin #8 and hair pin #9.





OPERATION

⚠ CAUTION: Always wear proper eye protection with side shields, safety footwear, and leather gloves to protect from burrs and sharp edges. Keep hands and fingers clear of the rollers. When handling large heavy sheets make sure they are properly supported.

NOTICE: This machine is intended to be clamped to a vise which is in turn mounted to sturdy work bench.

1. Clamp the frame into a vise. Clamp firm enough to secure the machine but DO NOT crush the frame.
2. Clean the workpiece and wheels thoroughly, making sure any abrasive particles are removed. Grit or dirt will mar your workpiece and even damage the wheels.
3. Dull sharp edges with a deburring tool and put on a pair of leather gloves to prevent injury to your hands.
4. Verify that the upper wheel is installed and secured.
5. Install the lower wheel with a radius which most closely matched the intended results.
6. Adjust the lower wheel up or down as needed until the gap between the two wheels is just enough to allow the material to enter between the wheels. To adjust the distance, rotate the kick wheel to lower or raise the lower wheel.
7. Insert the workpiece between the wheels.
8. Rotate the kick wheel counterclockwise until there is light pressure on the workpiece.
9. Roll the workpiece up to an edge, rotate it slightly, then pull it back.
10. Turn the kick wheel counterclockwise to increase pressure on the workpiece; turn the kick wheel clockwise to decrease pressure.
11. Loosen the kick wheel to remove the work piece and start a new piece.
12. Count the number of turns required to relieve the pressure on the wheels. This can be used to apply the same pressure when the work piece or new piece of material is placed back between the wheel to gain repeatability.





ROLLING TIPS

PRACTICE AND PATIENCE. An English wheel is a simple tool that is easy to start to use however, it is the type of tool that requires experience to master.

When an operator keeps in mind a few safety considerations as noted in the front of the manual they can create and form metal to almost any shape.



CAUTION: Always wear proper eye protection with side shields, safety footwear, and leather gloves to protect from burrs and sharp edges.
Keep hands and fingers clear of the rollers.
When handling large heavy sheets make sure they are properly supported.

They can use the following tips to learn to operate the English wheel more successfully:

- Clean the workpiece and wheels; making sure all grit is removed.
- Start rolling slowly and increase your speed.
- Try rolling the wheels up to, but not past the workpiece edge.
- Mark the workpiece with a non-permanent marker to make it easier to follow tracking patterns or contour the metal.
- Try using the lightest wheel pressure possible to shape the workpiece. Too much pressure will crease or ruin the metal.
- Light pressure is best for smoothing; higher pressure is best for rough shaping.
- Consistent patterns and movements generally return consistent results.



Tracking Patterns

As metal passes between the upper and lower wheels, a "track" or shiny line is pressed into the metal. Various tracking patterns can be used to shape workpieces depending upon their shape or size.

Zigzag Pattern

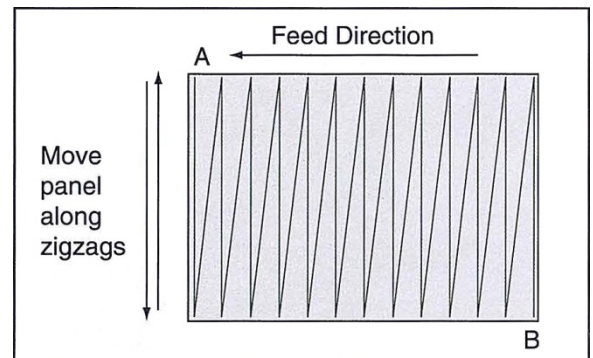
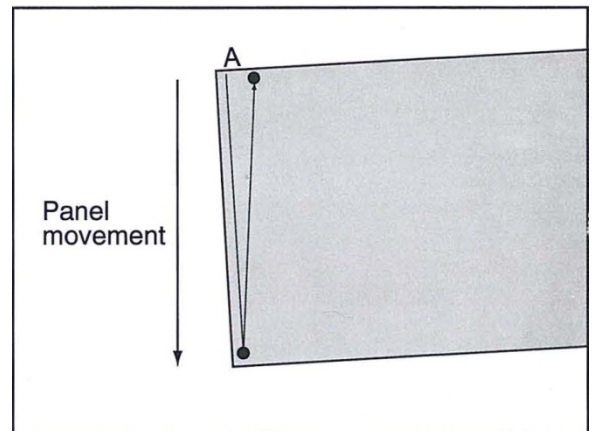
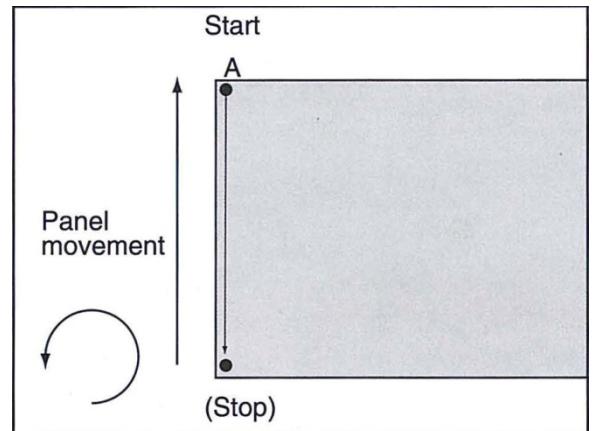
This pattern uses closely-spaced tracks to move from one end of the material to the other. It can be used for a variety of workpiece shapes.

1. Insert the workpiece between the wheels at point A. Start rolling it along the edge. Left edge shown.
2. Push the workpiece forward to the stop point.
3. Turn the workpiece counterclockwise slightly.
4. Pull the workpiece back until it reaches the next point near the far edge.
5. Turn the workpiece clockwise slightly.
6. Continue feeding the workpiece to the other side in the same manner, following the pattern as shown.



Note: Try keeping the tracks close to each other.

7. When the wheels reach point B, feed the workpiece in the opposite direction and return to point A.



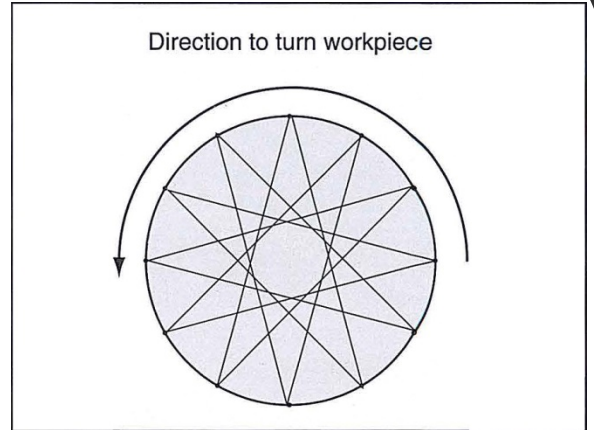


Star Pattern

The star pattern is useful for shaping round workpieces.



Note: Avoid rolling directly over the center of the workpiece, as too many passes could overstretch the metal.



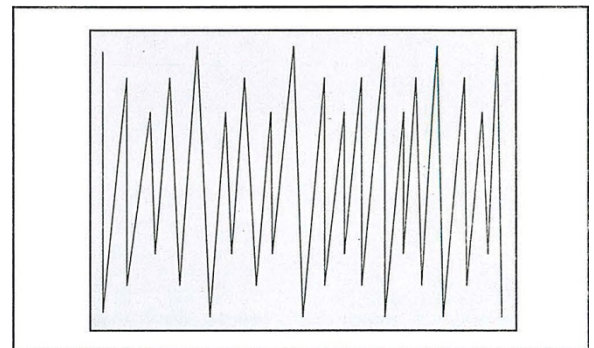
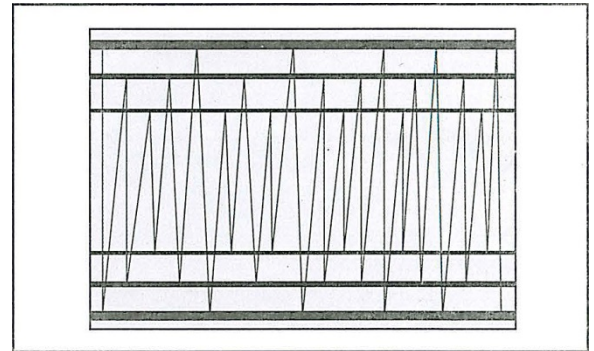
Staggered Stop Pattern

With this pattern, the track alternates randomly between three different sets of lines.



Note: Marking the workpiece with a non-permanent marker so you can see the outside, middle and inside lines more clearly. Clean the wheels and workpiece when you are finished.

1. From the starting point, roll the workpiece from the outside line on one side to the outside line on the opposite side.
2. Roll the workpiece from the middle line on one side to the middle line on the opposite side.
3. Roll the workpiece from the inside line on one side to the inside line on the opposite side.
4. Repeat Steps 1-3, as you move across the workpiece, randomly alternating between outside, middle, and inside lines.

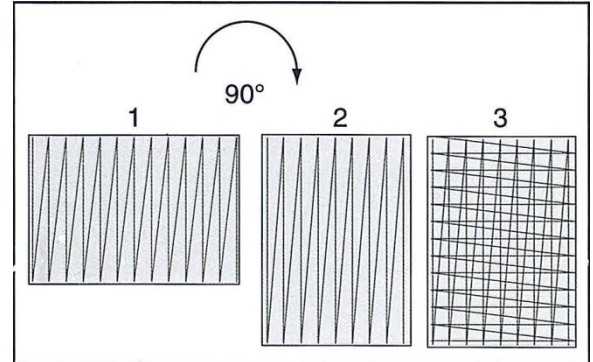




Crisscrossing Tracks

Crisscrossing tracks can help produce smoother curves in your workpiece using the zigzag or staggered stop pattern.

After running tracks along one length of the workpiece, turn the metal sheet 90° and run tracks along the opposite length so the workpiece is equally covered by both sets of tracks.



Selecting Lower Wheels

- Choose a lower wheel that will produce the contour you desire.
- Flat lower wheels are good for adding gentle curves to large metal panels; these wheels have wide flat surfaces profiles
- Domed lower wheels create tighter curves. The flat areas range from 1/8" to 3/4" (3.175 to 19.05mm). The wider the flat area, the wider the track produced on the workpiece.
- Roll a workpiece between a grooved lower wheel and a ridged upper wheel to emboss metal.
- The step roller can be used with the flat upper wheel to add a small crease in a metal panel.

MATERIAL SELECTION


⚠ CAUTION: It must be determined by the customer that materials being processed through the machine are NOT potentially hazardous to operator or personnel working nearby.

When selecting materials keep these instructions in mind:

- Material must be clean and dry. (without oil)
- Material should have a smooth surface so it processes easily.
- Dimensional properties of material must be consistent and not exceed the machine capacity values.
- Chemical structure of material must be consistent.
- Buy certificated steel from the same vendor when possible.



LUBRICATION AND MAINTENANCE

 **WARNING:** Maintenance should be performed on a regular basis by qualified personnel.
Always follow proper safety precautions when working on or around any machinery.

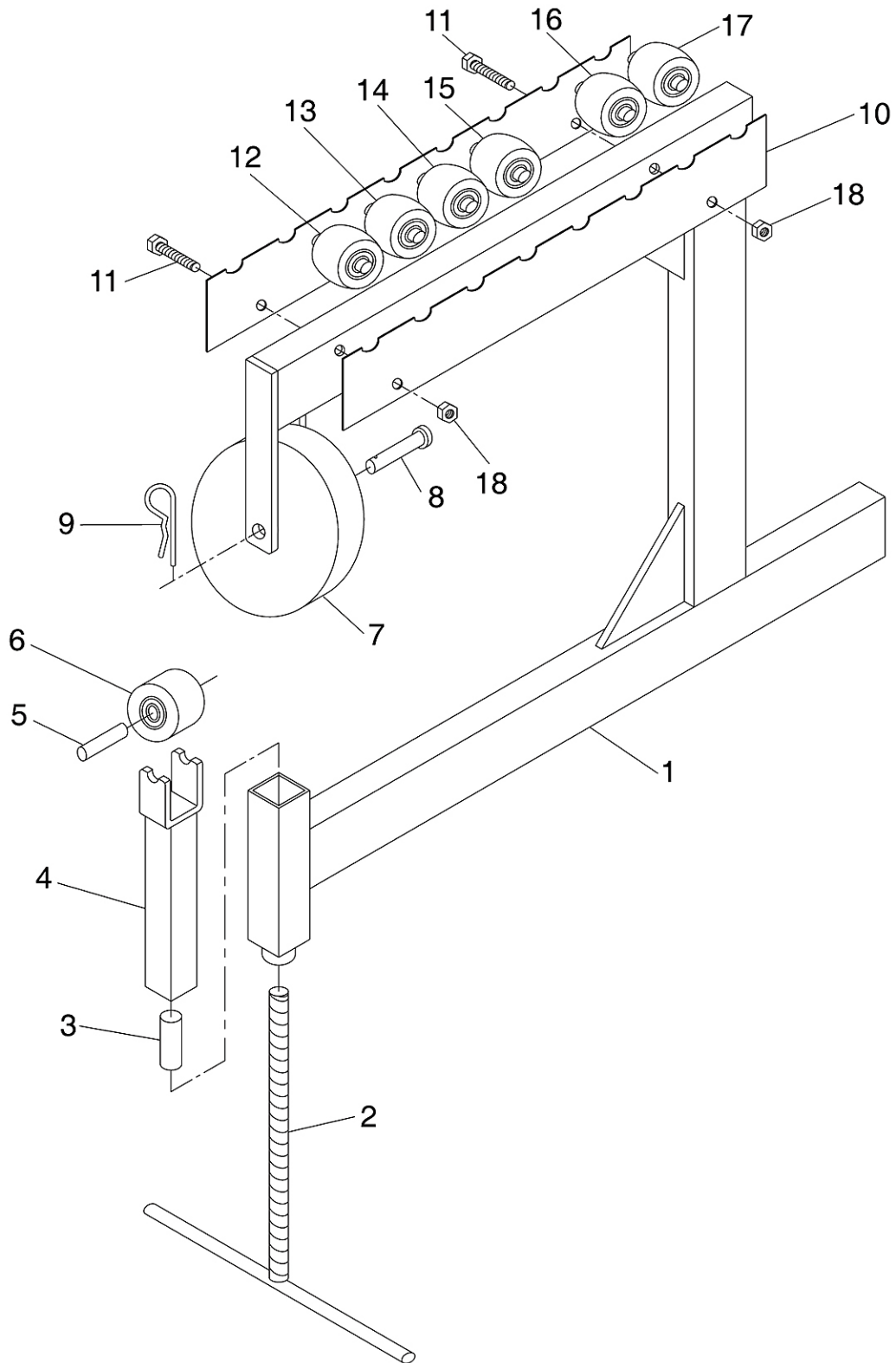
- Check daily for any unsafe conditions and fix immediately.
- Check that all nuts and bolts are properly tightened.
- On a weekly basis clean the machine and the area around it.
- Lubricate threaded components and sliding devices.
- Apply rust inhibitive lubricant to all non-painted surfaces.



Note: *Proper maintenance can increase the life expectancy of your machine.*



PARTS DIAGRAM





Parts List

Item	Description
1	Frame
2	Lower Wheel Adjusting Screw
3	Bracket Spacer Rod
4	Lower Wheel Bracket
5	Lower Wheel Axle Rod
6	Flat Lower Wheel
7	Upper Wheel
8	Upper Wheel Captive Pin
9	Hairpin Cotter Pin 3/8 X 1-7/8
10	Wheel Storage Rack
11	Hex Bolt 1/4-20 X 1-1/4
12	Lower Wheel 1/2" Radius
13	Lower Wheel 1" Radius
14	Lower Wheel 1-1/2" Radius
15	Lower Wheel 2-1/2" Radius
16	Lower Wheel 5" Radius
17	Lower Wheel 9" Radius
18	Hex Nut 1/4-20



NOTES



BAILEIGH INDUSTRIAL, INC. 1625 DUF EK DRIVE MANITOWOC, WI 54220

PHONE: 920. 684. 4990 FAX: 920. 684. 3944

www.baileigh.com

BAILEIGH INDUSTRIAL, INC. 1455 S. CAMPUS AVENUE ONTARIO, CA 91761

PHONE: 920. 684. 4990 FAX: 920. 684. 3944

BAILEIGH INDUSTRIAL LTD. UNIT D SWIFT POINT

SWIFT VALLEY INDUSTRIAL ESTATE, RUGBY

WEST MIDLANDS, CV21 1QH UNITED KINGDOM

PHONE: +44 (0)24 7661 9267 FAX: +44 (0)24 7661 9276

WWW.BAILEIGH.CO.UK