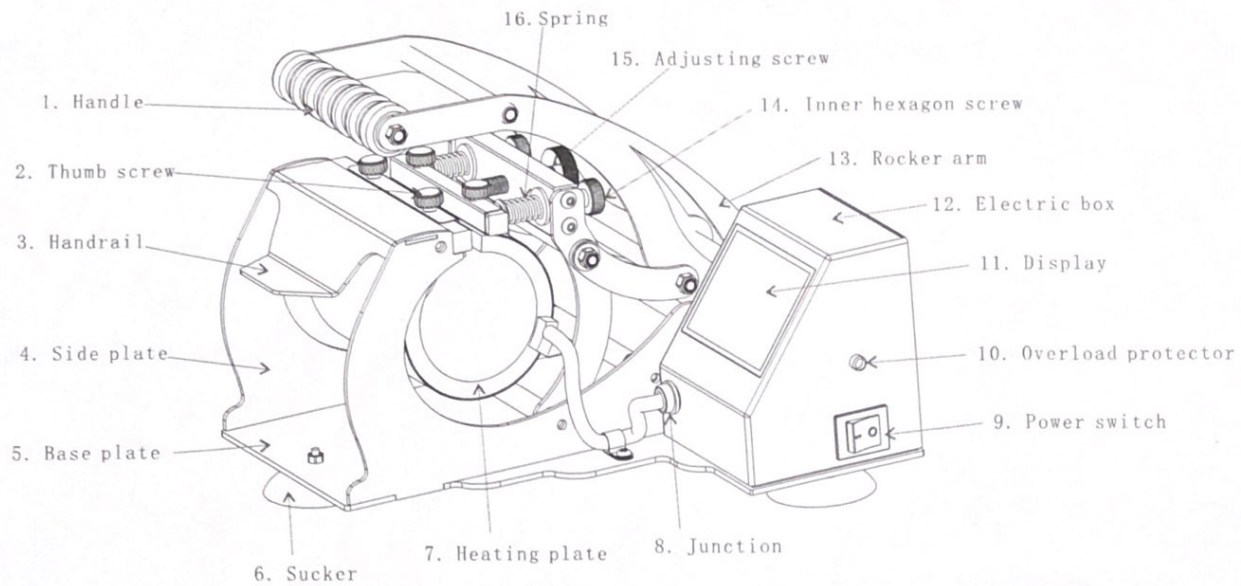


# Introduction:



1. Start: Press the "Start" icon for two seconds, hear "beeps" sound, enter heating interface, start heating automatically. The default temperature is 190°C, and time is 180seconds. When temperature reach to 190°C, will hear continuous warning sound, means the pre-heating temperature reached. Press the handle down, the sounds stop, will begin to countdown. During countdown process, press "+" to restart countdown. If not begin to countdown automatically when press the handle down, can press "-" button, to countdown manually. When the count down is over, the time shows "000". When hear the warning sound, means the transfer finish, then open the handle, take the mug out. Short press the "Start" button, hear "beeps" sound, turn off the machine.



2. Heating: Press one time to set the maximum temperature, press "+/-" to up or down the temperature, after the number flicker for five times, will auto save settings.  
 3. Press "Clock" icon to set the time. The below "888" is time area, press "+/-" to set, after the number flicker for five times, will auto save settings.  
 4. Press °C/°F to change the temperature units.  
 5. Press the little man icon, shows the transfer time. Press "Start" back to interface.

6. Advices of the failed transfer:

- A. The color too light: the temperature too low, or the pressure uneven, or the time too short.
- B. The image blurry: over time leads to ink diffusion
- C. The image lackluster: excessive pressure or over temperature
- D. Part of the image blurry: uneven distribution of the heating area
- E. The image has nicks: the heating time too long
- F. The image color variegation: the pressure uneven or the goods coating uneven
- G. Paper sticks on the goods: over temperature or the goods coating problem