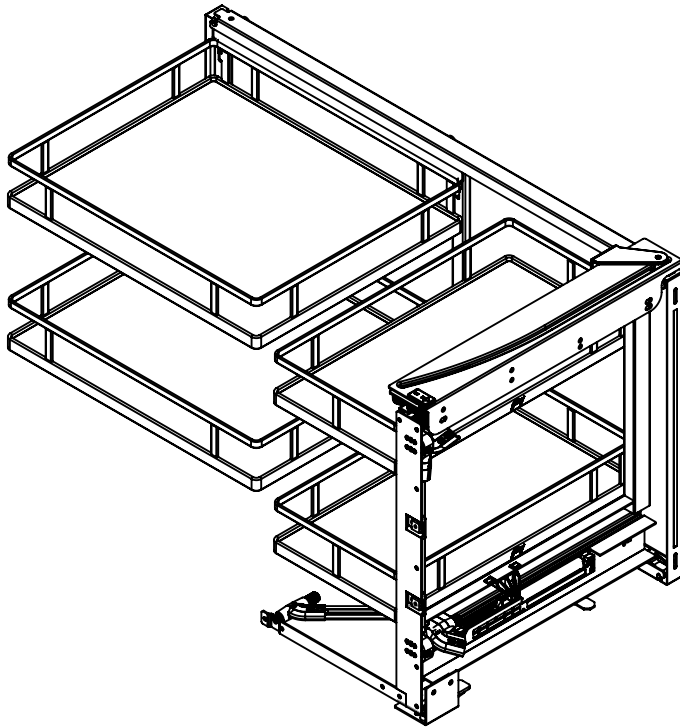
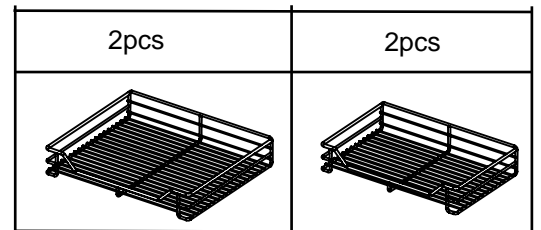


23442 Magic Corner Insrtuction(Right Side Mounted)



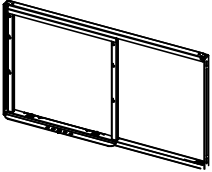
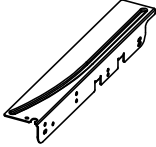
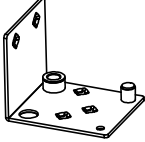
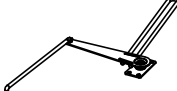
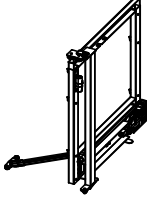
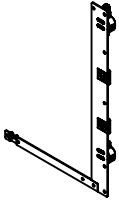









Wire Basket



Item	
1	Install the A part of backside sliding frame
2	Install the B part of guide plate
3	Install the C part of corner fixing plate
4	Install the D part of swing drawbar
5	Install the F part of door connector
6	Inset the drawbar cover on the E part of swing frame into D part of swing drawbar
7	Inset the rotation shaft under the E part of swing frame into the hole on the C part of corner fixing plate
8	Inset the drawbar cover on the E part into the groove on the B part of guide plate
9	Install the cover of upside rotation shaft M, then rotate 90 degree to lock
10	Inset the drawbar D into the backside sliding frame A part
11	Inset the lower detent at the outside of door connector F part into the groove on the E part
12	Inset the upside detent at the outside of door connector F part into the groove on the E part
13	Inset the lower detent at the inside of door connector F part into the groove on the E part
14	Fine tune the position of the door by the adjustable screw on the E part
15	Adjust the screw J to control the open angle of E part

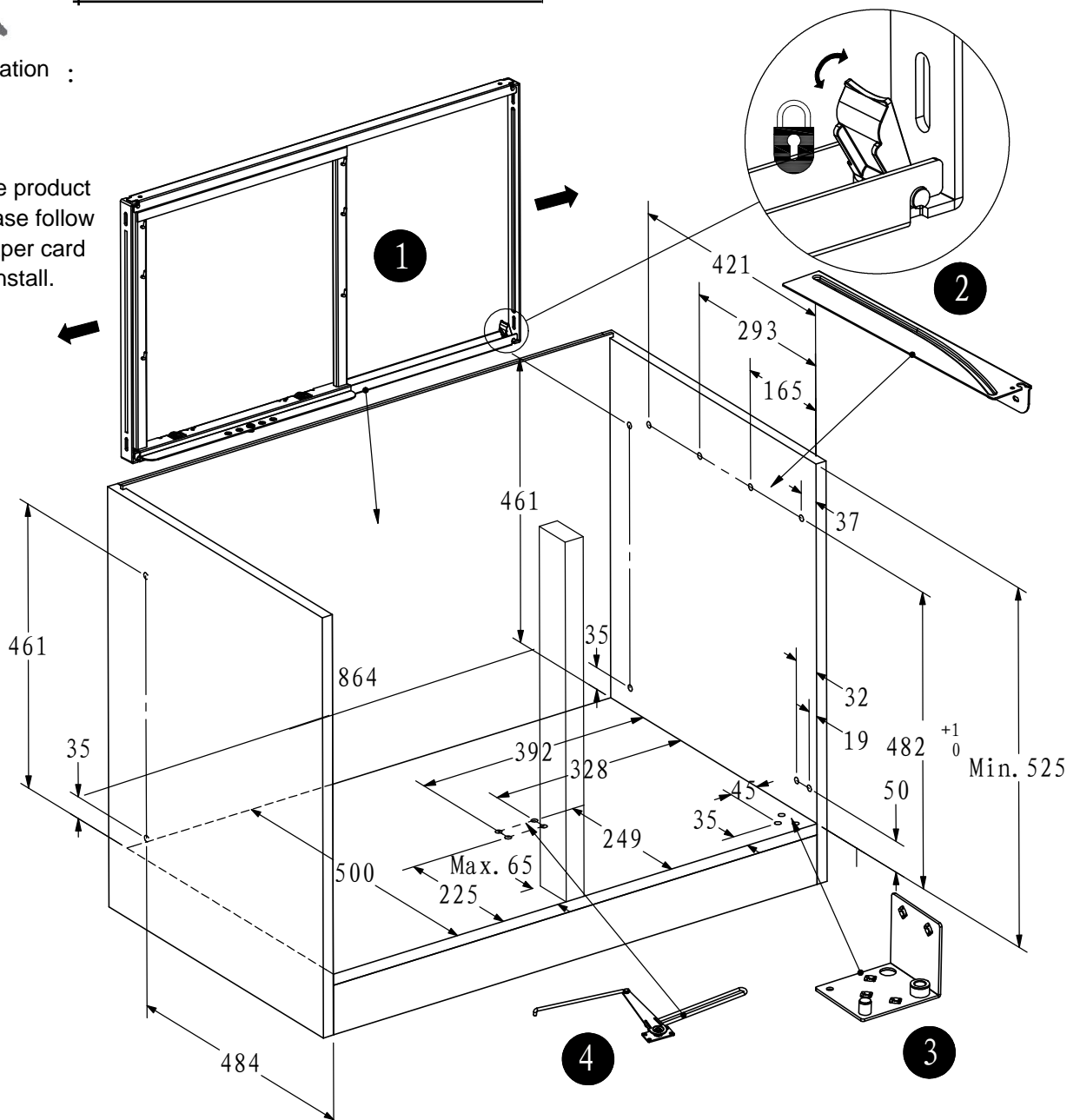
INSTRUCTION

1、part list :

<p>A 1PCS</p> 	<p>B 1PCS</p> 	<p>C 1PCS</p> 	<p>D 1PCS</p> 	<p>E 1PCS</p> 	<p>F 1PCS</p> 
<p>G 2PCS</p> 	<p>H 2PCS</p> 	<p>I 2PCS</p> 	<p>K 8PCS</p> 	<p>L 20PCS</p> 	<p>M 1PCS</p> 
		<p>N, 20PCS</p> 	<p>O 1PCS</p> 		

2、parts installation :

In order to ensure product performance, please follow instructions or paper card carefully before install.



INSTRUCTION

