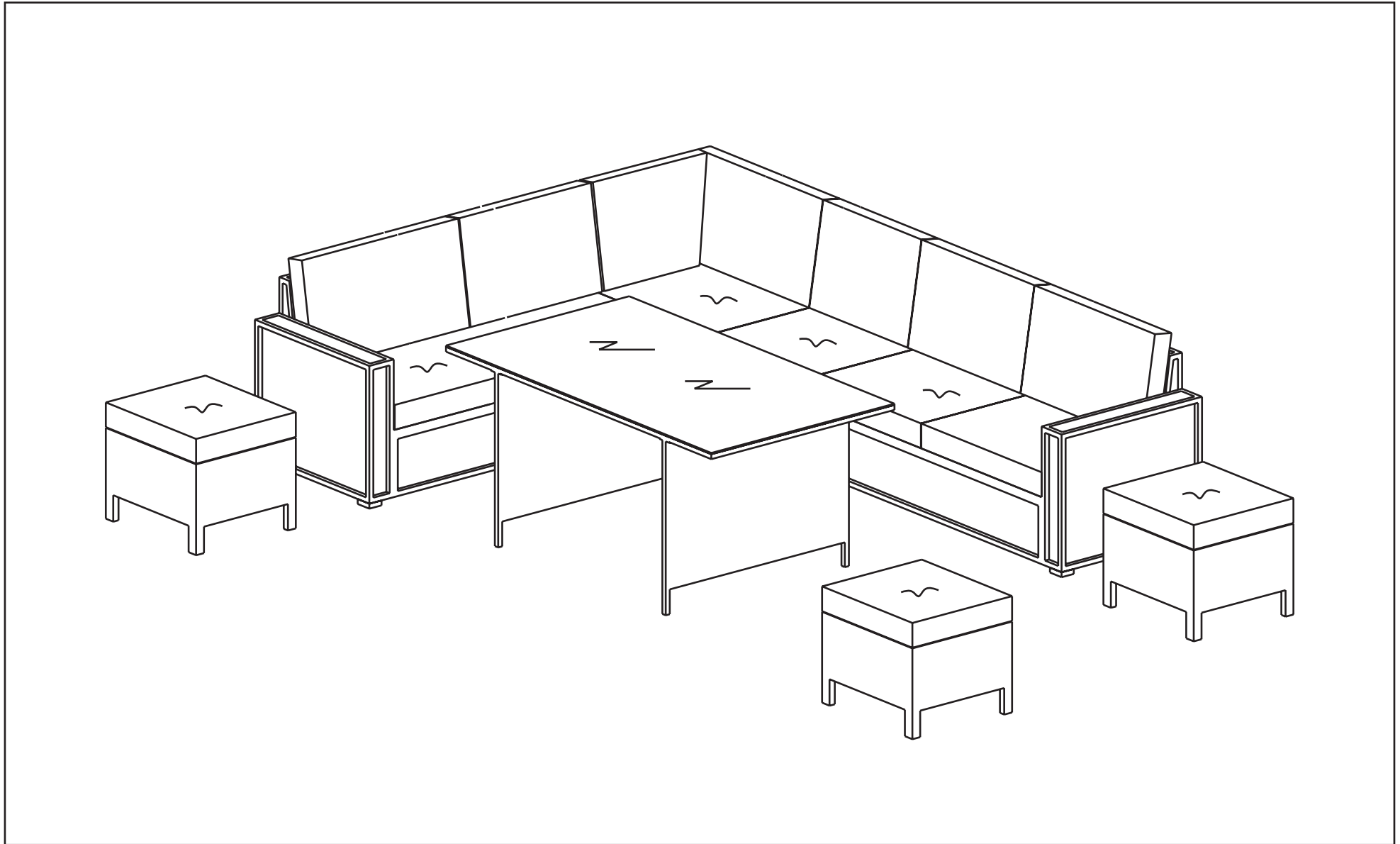
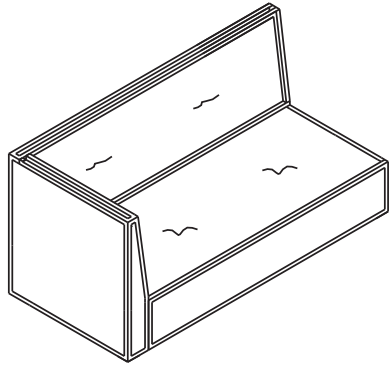
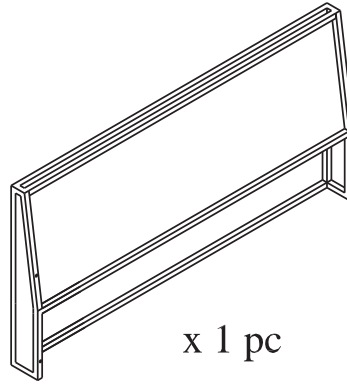


ASSEMBLY INSTRUCTION



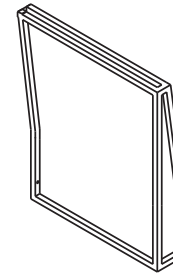


I



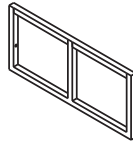
x 1 pc

II



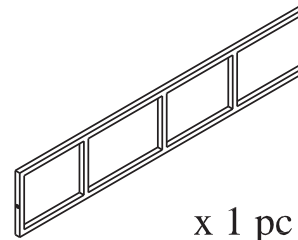
x 1 pc

III



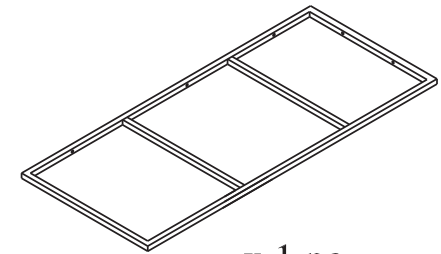
x 1 pc

IV






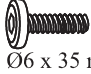





x 1 pc

V

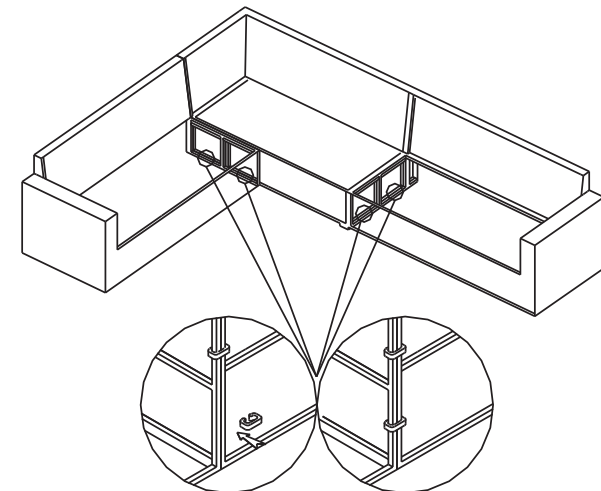
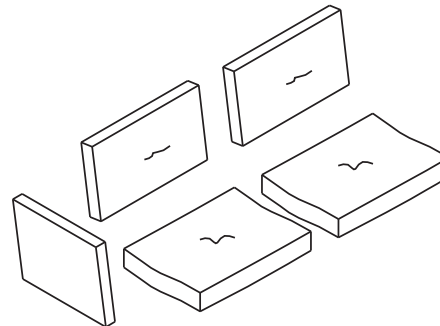


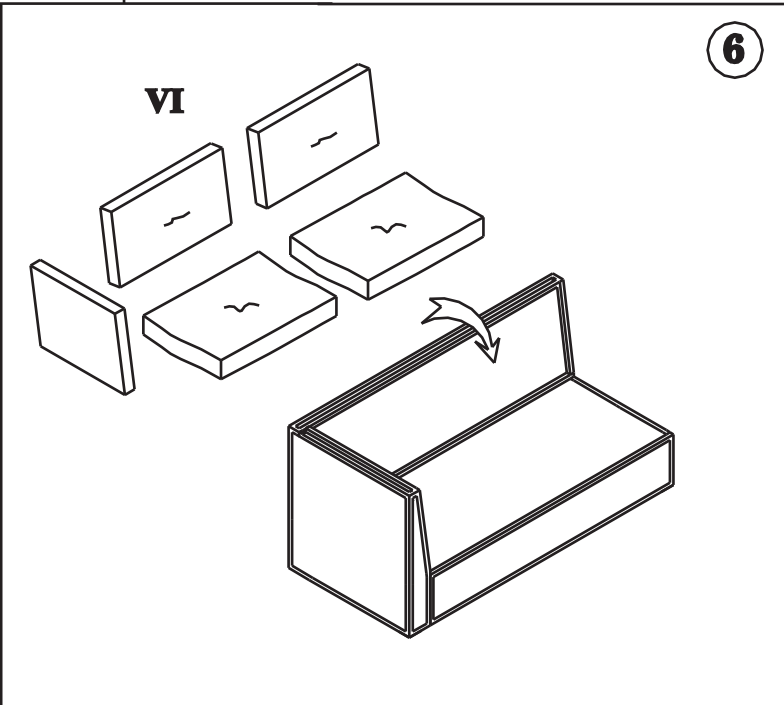
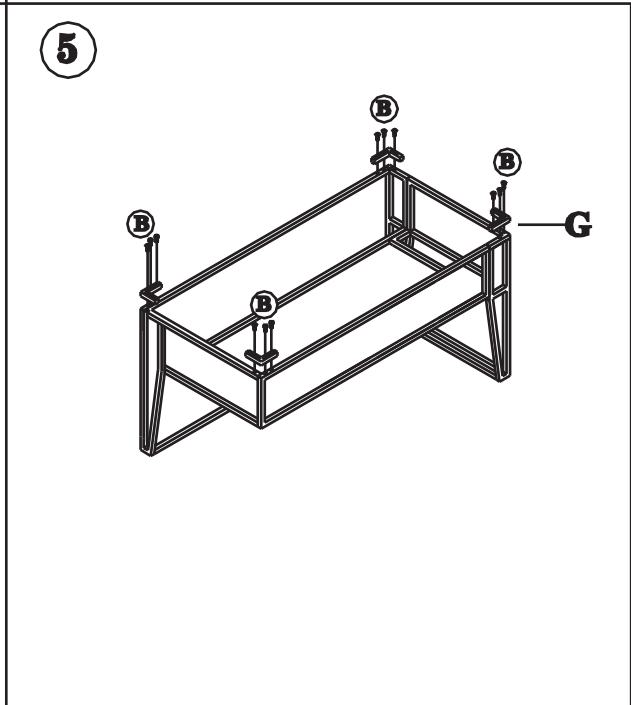
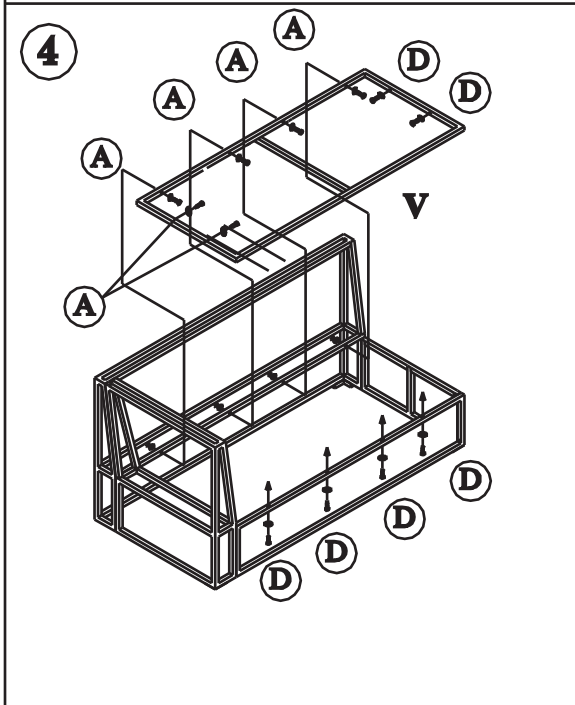
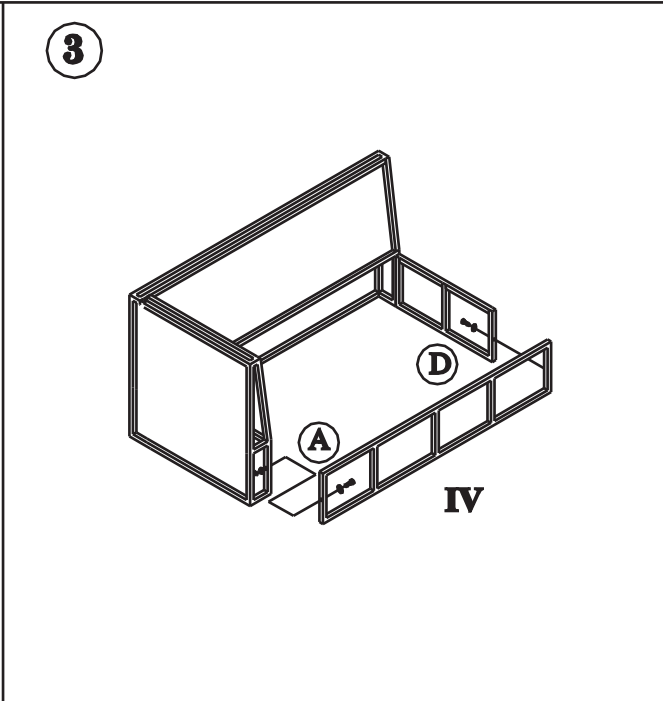
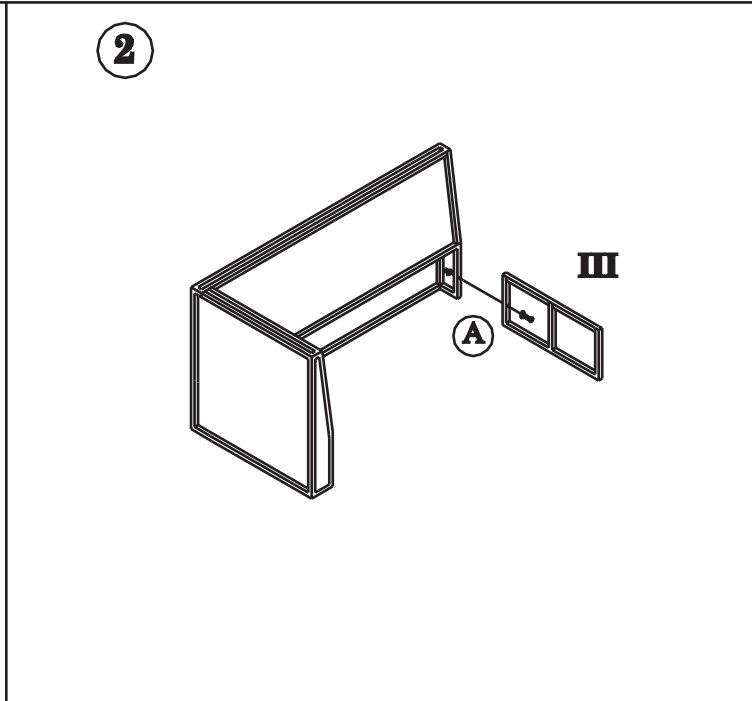
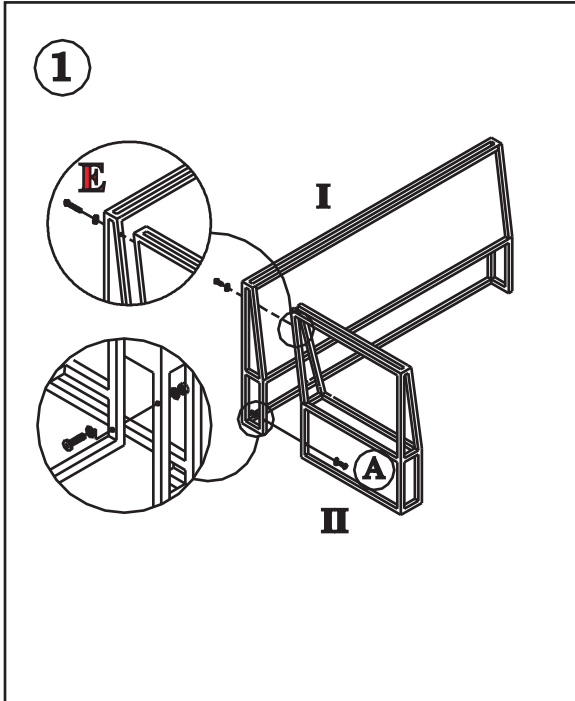
x 1 pc

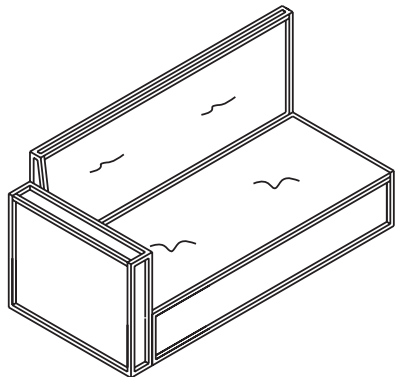
HARDWARE

A	 Ø6 x 50 mm	09 pcs
B	 Ø6 x 25 mm	12 pcs
C		26 pcs
D	 Ø6 x 35 mm	7 pcs
E	 Ø6 x 70 mm	1 pcs
F	 Ø4mm	1 pcs
G		1 pcs
		4 pcs
	 x 4 pcs	


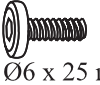

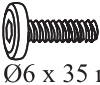
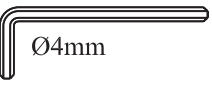


VI



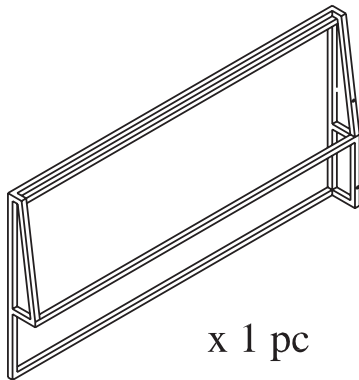




HARDWARE

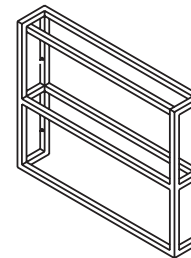
A	 Ø6 x 50 mm	10 pcs
B	 Ø6 x 25 mm	12 pcs
C		27 pcs
D	 Ø6 x 35 mm	7 pcs
E	 Ø4mm	1 pcs
F		1 pcs
G		4 pcs

I



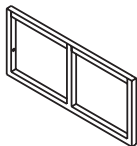
x 1 pc

II



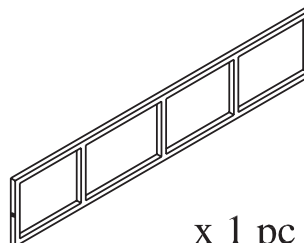
x 1 pc

III



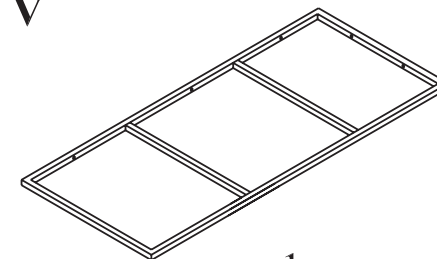
x 1 pc

IV



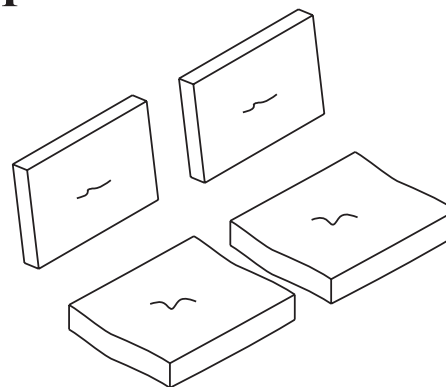
x 1 pc

V

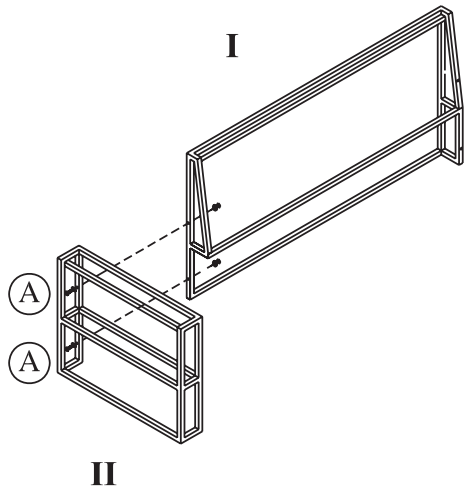


x 1 pc

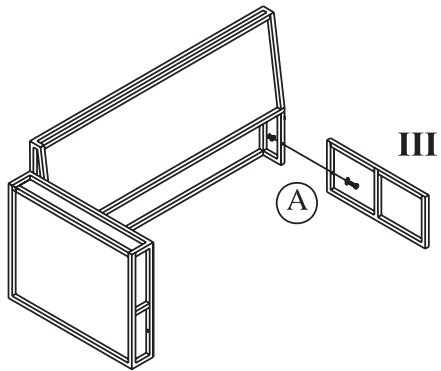
VI



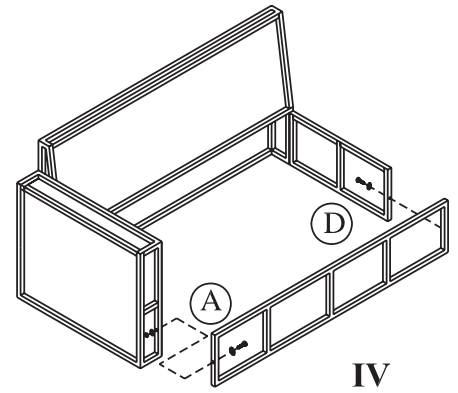
1



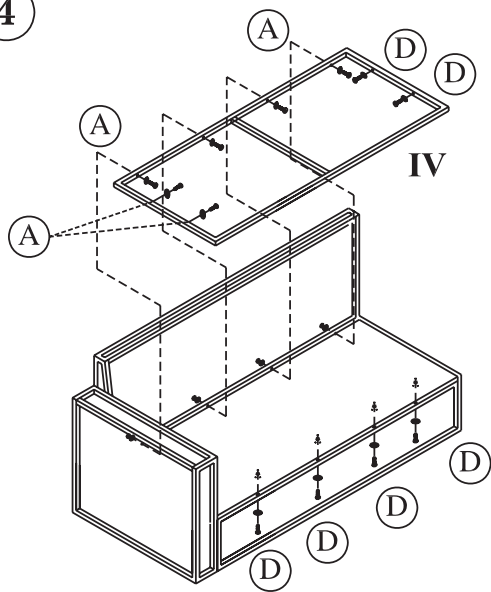
2



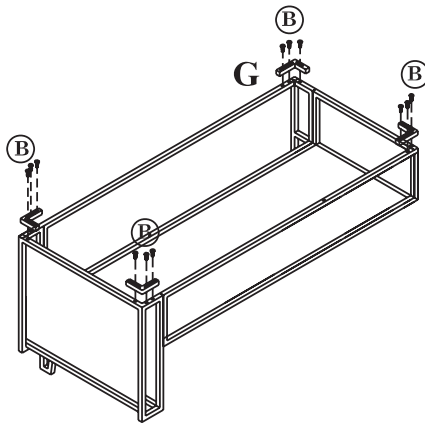
3



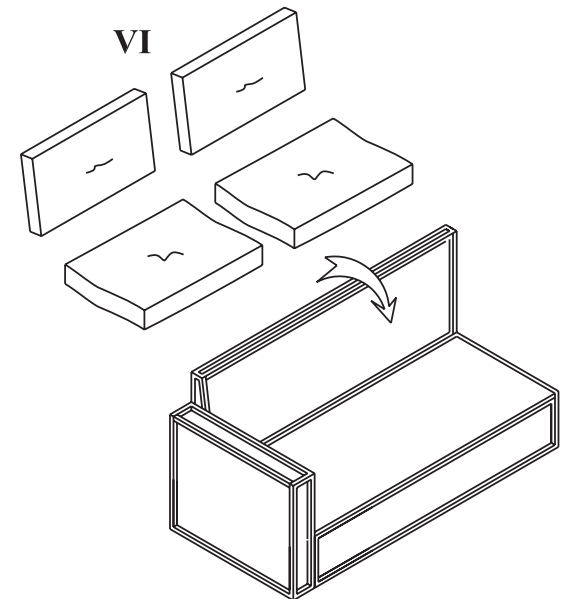
4

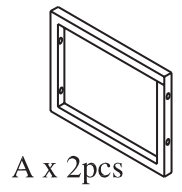


5

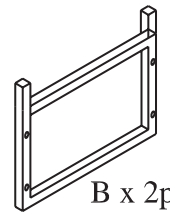


6

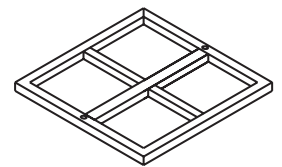




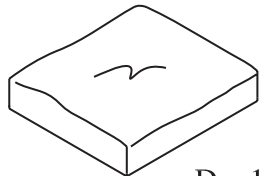
A x 2pcs



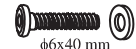
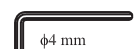
B x 2pcs



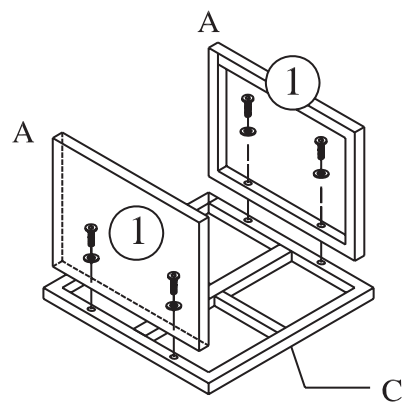
C x 1pc



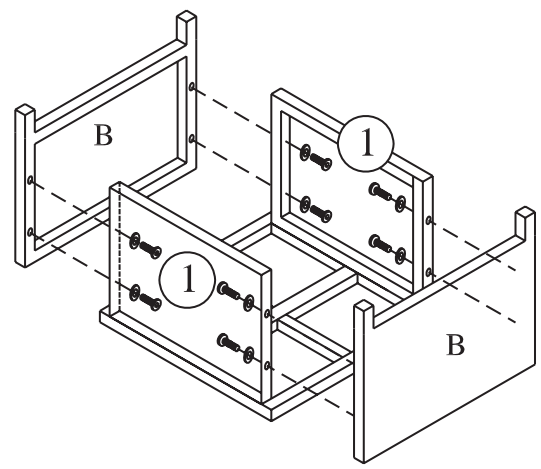
D x 1pc

1	 φ6x40 mm	16 pcs
2	 φ4 mm	1 pcs

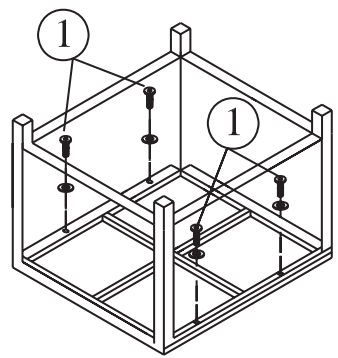
①



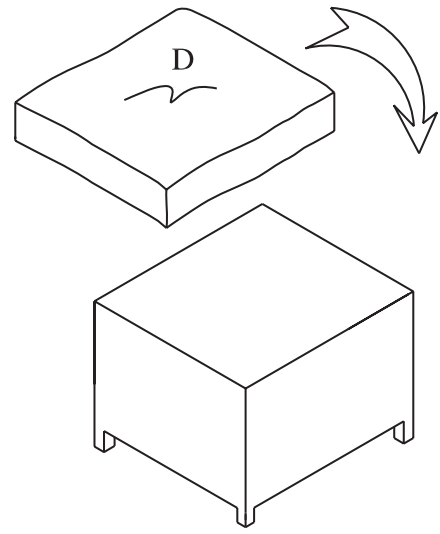
②

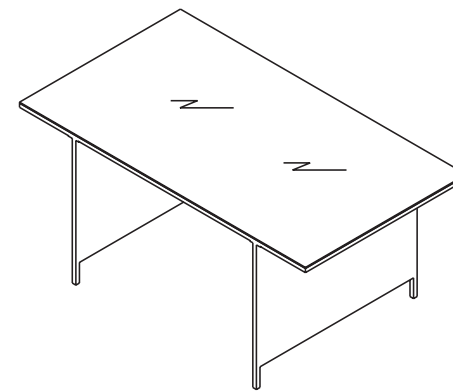
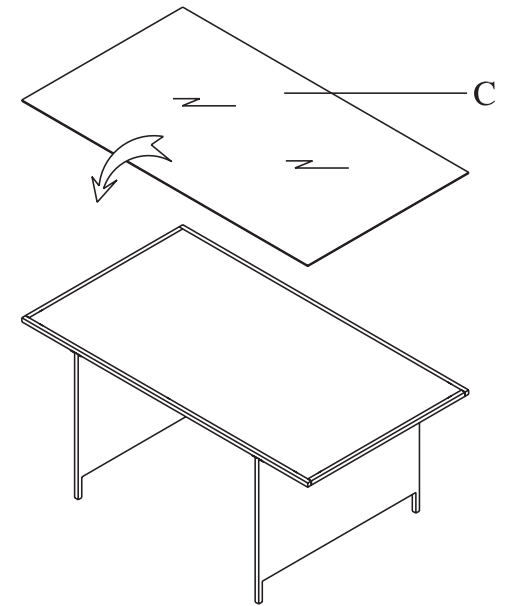
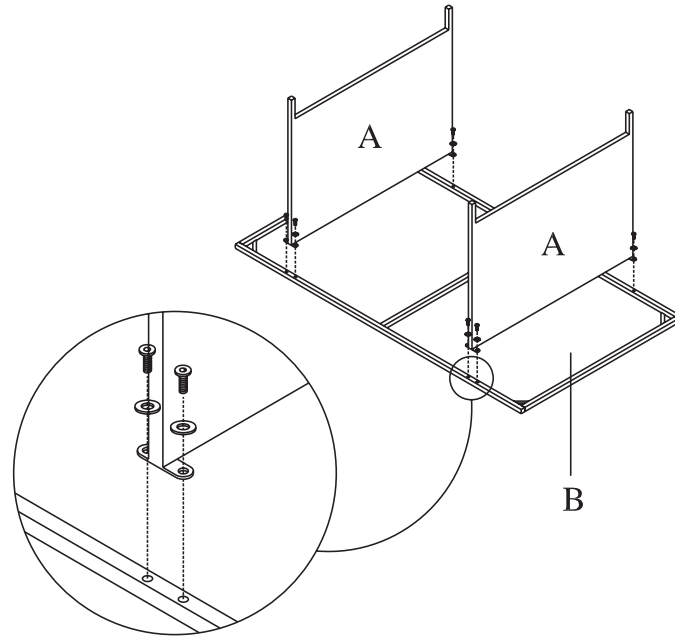
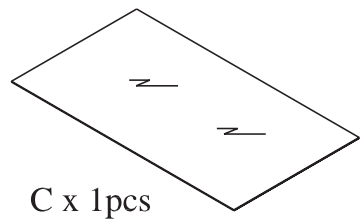
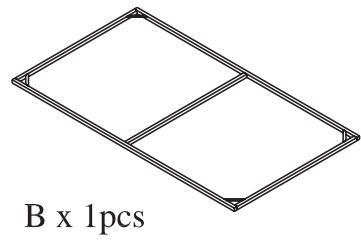
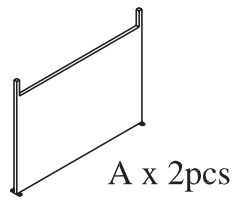


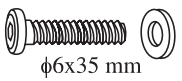
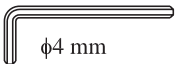
③



④





1	 φ6x35 mm	8 pcs
2	 φ4 mm	1 pcs